

Зипъ Общепит

REV. 0
DEL 07/2019

vsezip.ru

TAV. 0

+7(812)987-08-81

CATALOGO PARTI DI RICAMBIO
SPARE PARTS CATALOGUE
CATALOGUE PIECES DETACHEES
ERSATZTEILKATALOG
CATALOGO DE PIEZAS DE RICAMBIO
CATALOGO PEÇAS DE REPOSIÇÃO

TYPE 5330–5332

Fabbricatori di ghiaccio a scaglie granulari
Granular Ice Makers

+7(812)987-08-81

INFORMAZIONI GENERALI

A) Il catalogo serve per richiedere con esattezza le parti di ricambio, in base al **MODEL/TYPE** indicato nella matricola della macchina. Negli ordini indicare: la posizione, il codice, la descrizione e la quantità delle parti di ricambio.
 B) I disegni delle parti di ricambio sono indicativi, e NON rappresentano il pezzo reale;
 C) I dati contenuti in questo catalogo sono indicativi e possono essere soggetti a modifiche senza preavviso.

GENERAL INFORMATION

A) This catalog order exactly the right spare parts, according to the **MODEL/TYPE** indicated on the identification plate of the machine. When ordering, specify the position, the code, the description and the quantity of spare parts;
 B) The spare parts drawings are general, and DO NOT represent the real part;
 C) The contents of this catalog are general, and can undergo changes without prior notice.

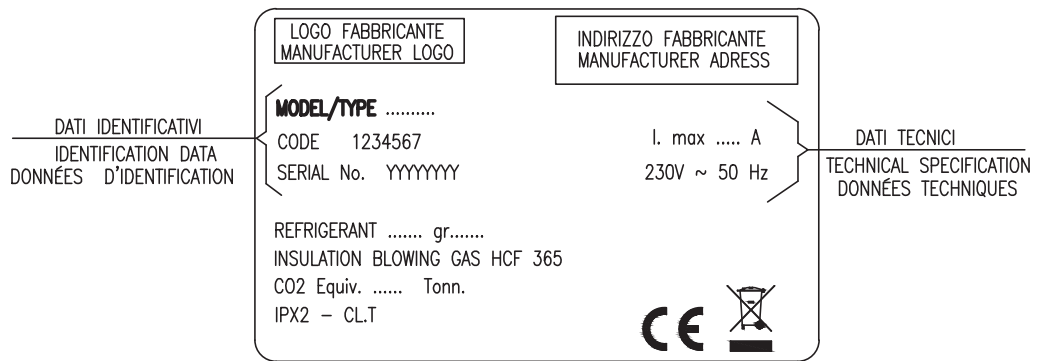
INFORMATIONS GENERALES

A) Ce catalogue est utilisé pour commander exactement les pièces détachées, selon le **MODEL/TYPE** indiqué sur la plaque d'identification de la machine.
 Les commandes doivent indiquer:
 La position, le code, la description et la quantité des pièces détachées;
 B) Les dessins des pièces détachées sont indicatif, et NE représentent pas les pièces concernées;
 C) Les données de ce catalogue sont citées seulement à titre indicatif, et peuvent être l'objet de modifications sans avis préalable.

LETTURA DELLA MATRICOLA MACCHINA

CONSTRUCTION OF MACHINE ID NUMBER

LECTURE DONNÉE DE LA MACHINE



INDICE

INDEX

INDEX

| | | | |
|--------------|-----------------------|-----------------------|-------------------------|
| TAV.1 | CARROZZERIA | BODY | CARROSSERIE |
| TAV.2 | IMPIANTO REFRIGERANTE | COOLING SYSTEM | SYSTÈME RÉFRIGÉRANT |
| TAV.3 | EVAPORATORE | EVAPORATOR | ÉVAPORATEUR |
| TAV.4 | COMPONENTI IDRICI | HYDRAULIC COMPONENTS | COMPOSANTS HYDRAULIQUES |
| TAV.5 | COMPONENTI ELETTRICI | ELECTRICAL COMPONENTS | COMPOSANTS ÉLECTRIQUES |

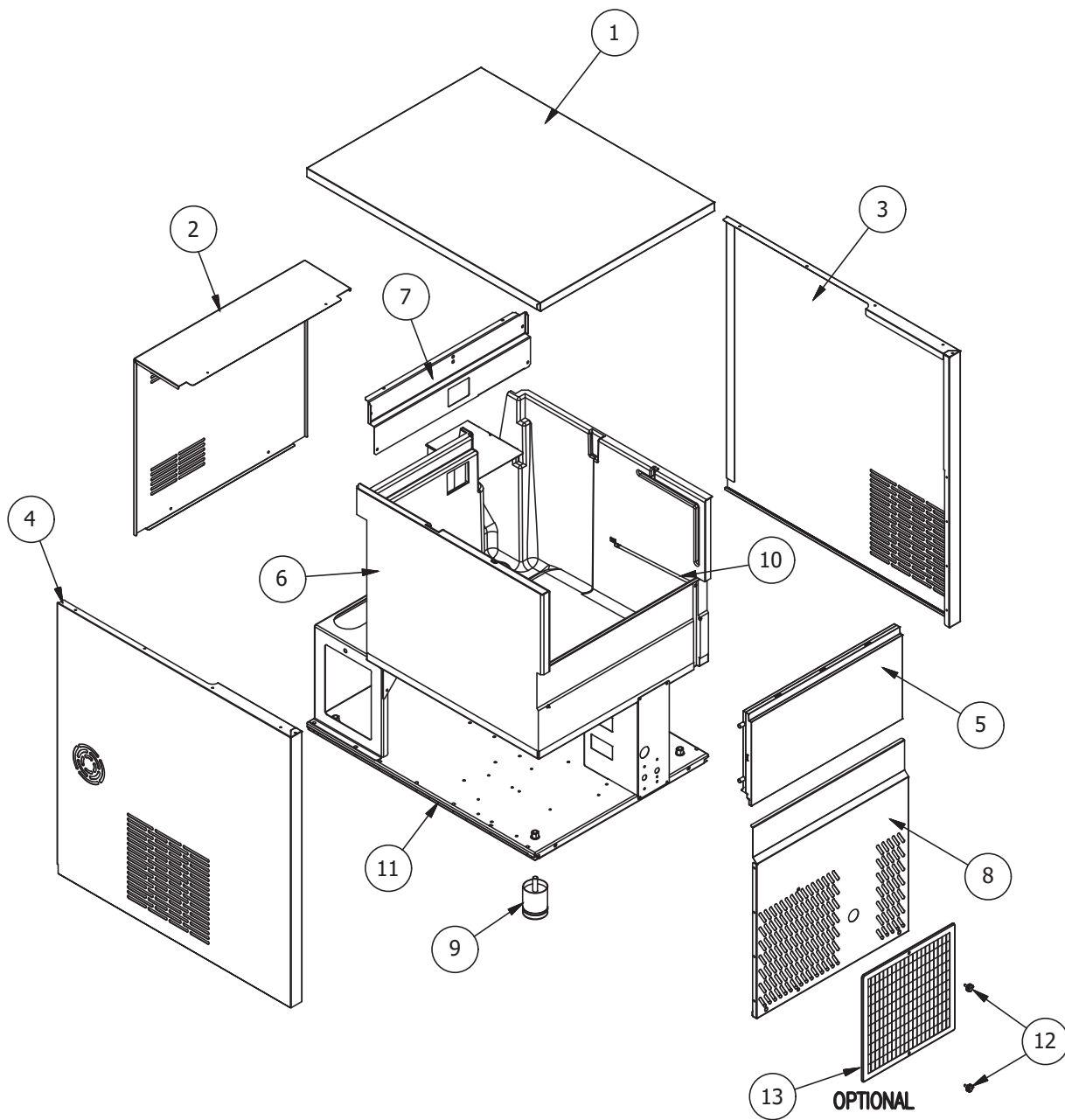
Зипъ Общепит

REV. 0
DEL 07/2019

TYPE 5330-5332
CARROZZERIA - BODY - CARROSSERIE

TAV. 1

+7(812)987-08-81

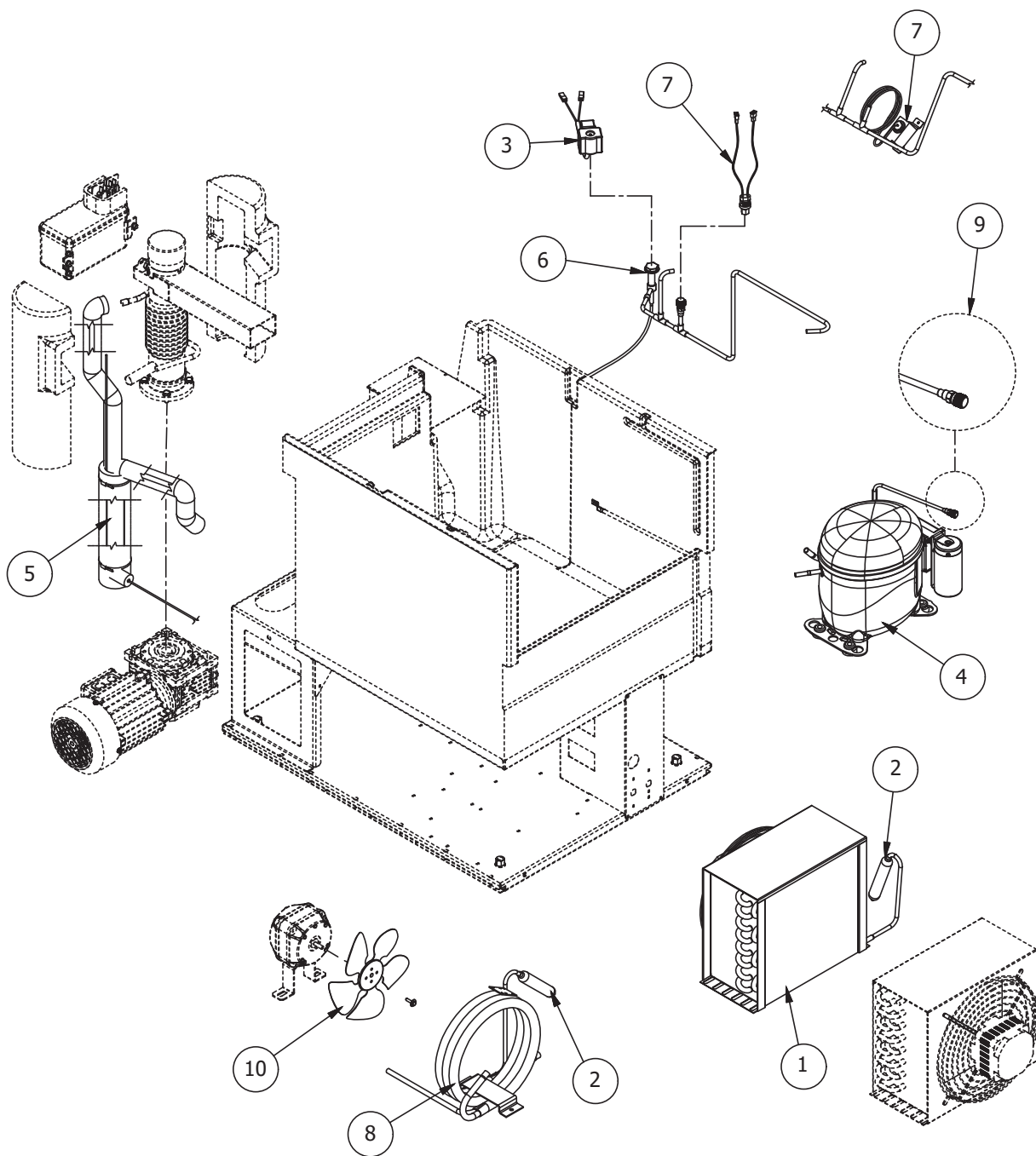


Зип Общепит

| PARTI COMUNI--COMMON PARTS--PIECES COMMUNES | | | | | | |
|---|-------------|--------------------|---------------------------------|--|-------------|------|
| POS.-ITEM | CODICE-CODE | DA MATR.-FROM S.N. | DESCRIZIONE | DESCRIPTION | DESCRIPTION | U.M. |
| 1 | 00K03626 | | CAPPOTTINA | COVER | | No. |
| 2 | 00K03629 | | PANNELLO POSTERIORE | REAR PANEL | | No. |
| 3 | 00K03625 | | FIANCO DESTRO | RIGHT SIDE PANEL | | No. |
| 4 | 00K03624 | | FIANCO SINISTRO | LEFT SIDE PANEL | | No. |
| 5 | 00K15797 | | ASS. SPORTELLO (*) | DOOR ASSEMBLY (*) | | No. |
| 6 | K03593 | | SCOCCA SCHIUMATA | FOAM MEDICINE BIN | | No. |
| 7 | 00K17272 | | TRAVERSO PER SCOCCA | FOAM MEDICINE BIN COVER | | No. |
| 8 | 00K17323 | | SOTTOPORTA | LOWER FRONT PANEL | | No. |
| 9 | K01341 | | PIEDINO REGOLABILE | ADJUSTABLE FOOT | | No. |
| 10 | K00043 | | POZZETTO PER VERS. CON TIMER EM | PROBE HOLDER TUBE FOR VERSION EM TIMER | | No. |
| 11 | 00K03617 | | BASAMENTO | BASE | | No. |
| 12 | K00013 | | NOTTOLINO M4 (*) | M4 BLOCKING RING NUT (*) | | No. |
| 13 | 3001-0018 | | FILTRO ARIA (OPTIONAL) (*) | AIR FILTER (OPTIONAL) (*) | | No. |
| 14 | K04933 | | MEMBRANA ADESIVA | ADHESIVE LABEL | | No. |

(*) RICAMBI CONSIGLIATI- RECOMMENDED SPARE PARTS-PIECES DETACHEES RECOMMANDEES

+7(812)987-08-81



Зип Общепит

| COMPONENTI COMUNI-COMMON PARTS-PIECES COMMUNES | | | | | | |
|--|-------------|--------------------|-----------------------------------|--------------------------|-------------|------|
| POS.-ITEM | CODICE-CODE | DA MATR.-FROM S.N. | DESCRIZIONE | DESCRIPTION | DESCRIPTION | U.M. |
| 2 | K00199 | | FILTRO SOLIDO (*) | DRYER FILTER (*) | | No. |
| 3 | - | | VED. TABELLA RIF. 3 (*) | SEE TABLE RIF. 3 (*) | | No. |
| 4 | - | | VED. TABELLA RIF. 4 | SEE TABLE RIF. 4 | | No. |
| 5 | 8080-0002 | | ASS. RITORNO GAS | GAS RETURN ASSY | | No. |
| 6 | K04935 | | ELETTOVALVOLA GAS CALDO 90°NC (*) | HOT GAS VALVE 90° NC (*) | | No. |
| 9 | K01078 | | ASS. TUBO DI CARICA GAS (*) | GAS CHARGE TUBE ASSY (*) | | No. |
| 10 | K01379 | | VENTOLA ASPIRAZIONE | SUCKING FAN | | No. |

| COMPONENTI SOLO VERSIONE ARIA --PARTS FOR AIR-COOLED VERSION ONLY--PIECES SEULEMENT POUR VERSION A AIRE | | | | | | |
|---|-------------|--------------------|-------------------------------|-----------------------------|-------------|------|
| POS.-ITEM | CODICE-CODE | DA MATR.-FROM S.N. | DESCRIZIONE | DESCRIPTION | DESCRIPTION | U.M. |
| 1 | K04436 | | CONDENSATORE AD ARIA | AIR CONDENSER | | No. |
| 7 | K02908 | | MINIPRESSOSTATO RAFFREDD. (*) | COOLING PRESSURE SWITCH (*) | | No. |

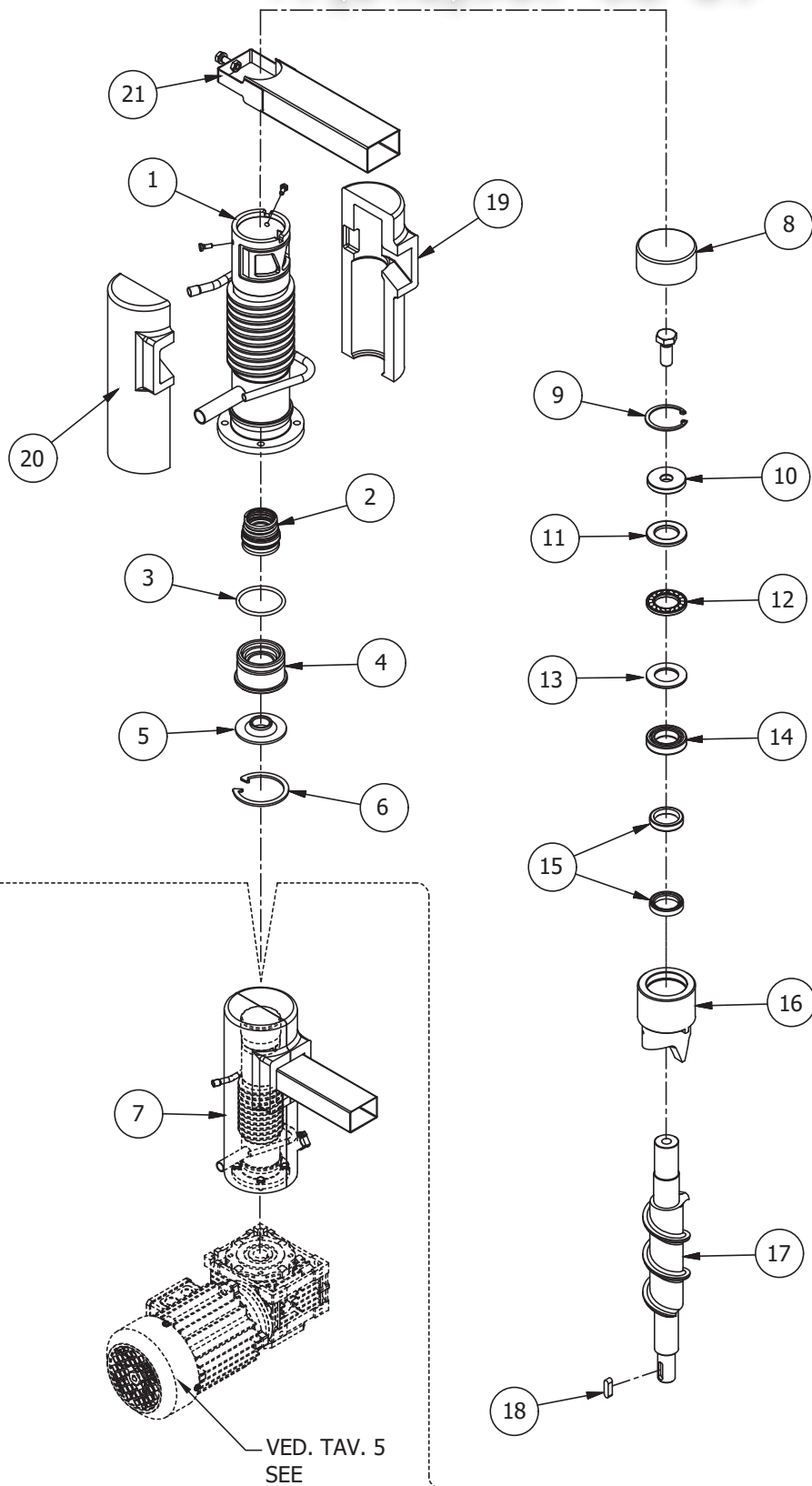
| COMPONENTI SOLO VERSIONE ACQUA--PARTS FOR WATER-COOLED VERSION ONLY--PIECES SEULEMENT POUR VERSION A EAU | | | | | | |
|--|-------------|--------------------|--|--------------------------------|-------------|------|
| POS.-ITEM | CODICE-CODE | DA MATR.-FROM S.N. | DESCRIZIONE | DESCRIPTION | DESCRIPTION | U.M. |
| 7 | K00077 | | PRESSOSTATO RESET AUTOMATICO CAPILL. (*) | AUTOMATIC RESET PRESSOSTAT (*) | | No. |
| 8 | K00112 | | ASS. CONDENSATORE AD ACQUA | WATER CONDENSER ASSY | | No. |

| RIF. 3 - ASS. BOBINA VALV. FDF- HOT GAS VALVE COIL | |
|--|--------------|
| TENSIONE-VOLTAGE | CODICE-CODE |
| 220-240V 50/60 Hz | 00K15964 (*) |

| RIF. 4 - COMPRESSORE-COMPRESSOR | |
|---------------------------------|-------------|
| TENSIONE-VOLTAGE | CODICE-CODE |
| 220-240V 50 Hz | K04323 |
| 220V 60 Hz | K04694 |

(*) RICAMBI CONSIGLIATI- RECOMMENDED SPARE PARTS-PIECES DETACHEES RECOMMANDEES

+7(812)987-08-81



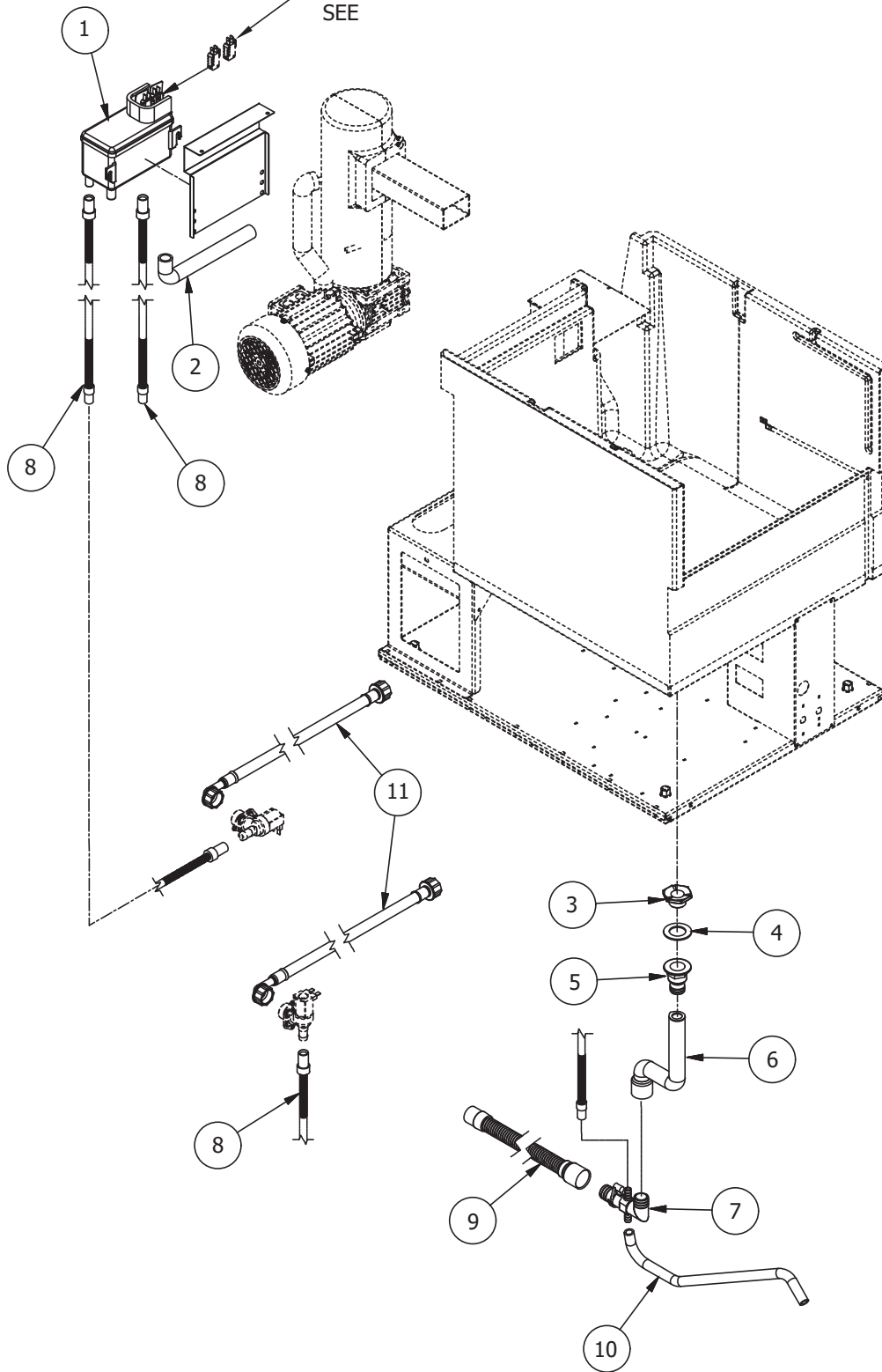
Зип Общепит

| PARTI COMUNI--COMMON PARTS--PIECES COMMUNES | | | | | | |
|---|-------------|--------------------|-------------------------------|---------------------------------|-------------|------|
| POS.-ITEM | CODICE-CODE | DA MATR.-FROM S.N. | DESCRIZIONE | DESCRIPTION | DESCRIPTION | U.M. |
| 1 | 00K17626 | | ASS. TUBO EVAPORATORE | EVAPORATOR TUBE ASSY | | No. |
| 2 | K03043 | | TENUTA MECCANICA ROTEN 3 (*) | ROTOR MECHANICAL SEAL (*) | | No. |
| 3 | K03048 | | O-RING 149 (*) | O-RING 149 (*) | | No. |
| 4 | 00K15926 | | PORTA GUARNIZIONI | GASKET HOLDER | | No. |
| 5 | 00K15451 | | RONDELLA TEFLON | TEFLON WASHER | | No. |
| 6 | K03051 | | SEEGER I 55 | I 55 SEEGER | | No. |
| 7 | 8080-0045 | | ASS. EVAPORATORE CON ISOLANTE | EVAPORATOR ASSY WITH INSULATION | | No. |
| 8 | 00K17130 | | TAPPO EVAPORATORE | EVAPORATOR PLUG | | No. |
| 9 | K03050 | | SEEGER I 42 | I 42 SEEGER | | No. |
| 10 | K03385 | | RONDELLA PER CUSCINETTO | WASHER FOR BEARING | | No. |
| 11 | K03324 | | RALLA WS 81105 (*) | WASHER WS 81105 (*) | | No. |
| 12 | K03323 | | GABBIA ASSIALE K81105 (*) | K81105 AXIAL BEARING (*) | | No. |
| 13 | K03320 | | RALLA GS 81105 (*) | WASHER GS 81105 (*) | | No. |
| 14 | K03046 | | CUSCINETTO A SFERE (*) | ROLLING BEARING (*) | | No. |
| 15 | K03386 | | ANELLO DI TENUTA (*) | GROMMET (*) | | No. |
| 16 | 00K15922 | | ROMPIGHIACCIO | ICE BREAKER | | No. |
| 17 | K03615 | | COCLEA | AUGER | | No. |
| 18 | K03616 | | LINGUETTA 6x6x22 UNI 6604-A | 6x6x22 UNI 6604-A PARALLEL KEY | | No. |
| 19 | K03038 | | ISOLANTE DX | RIGHT INSULATING CAP | | No. |
| 20 | K03039 | | ISOLANTE SX | LEFT INSULATING CAP | | No. |
| 21 | 00K15957 | | ASS. BOCCA DI USCITA GHIACCIO | ICE EXIT ASSY | | No. |

(*) RICAMBI CONSIGLIATI- RECOMMENDED SPARE PARTS-PIECES DETACHEES RECOMMANDEES

+7(812)987-08-81

VED. TAV. 5
SEE



Зип Общепит

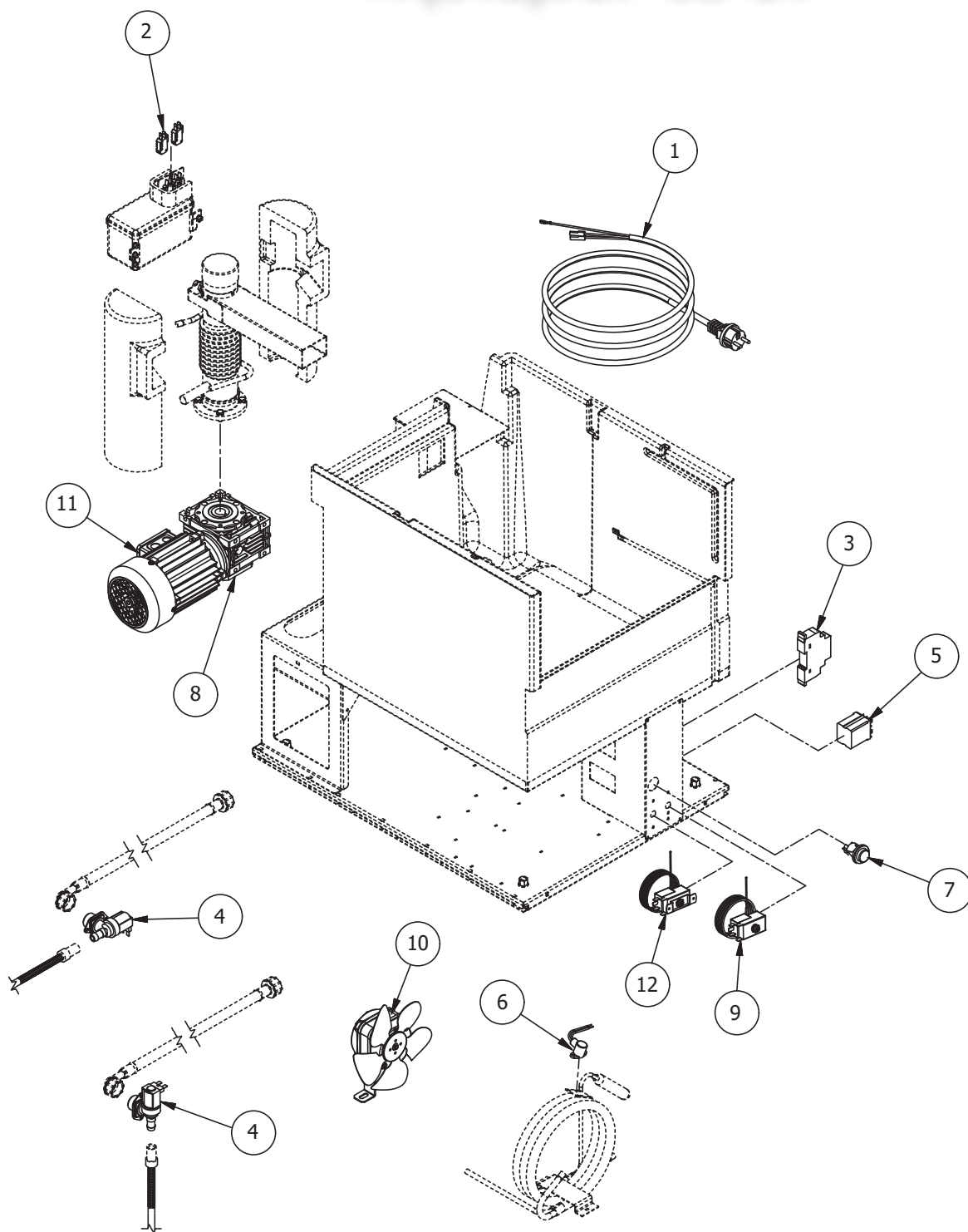
| PARTI COMUNI--COMMON PARTS--PIECES COMMUNES | | | | | | |
|---|-------------|--------------------|--|-------------------------------|-------------|------|
| POS.-ITEM | CODICE-CODE | DA MATR.-FROM S.N. | DESCRIZIONE | DESCRIPTION | DESCRIPTION | U.M. |
| 1 | K03054 | | VASCHETTA (*) | WATER TANK (*) | | No. |
| 2 | K00445 | | MANICOTTO | COUPLING | | No. |
| 3 | K00004 | | DADO PILETTA DI SCARICO | DRAIN NUT | | No. |
| 4 | K00003 | | GUARNIZIONE PILETTA | GASKET | | No. |
| 5 | K00039 | | TRONCHETTO PILETTA DI SCARICO | DRAIN PIPE | | No. |
| 6 | K00184 | | MANICOTTO MANDATA POMPA | SUPPLY PUMP COUPLING | | No. |
| 8 | K02740 | | TUBO DI CARICO | WATER INLET HOSE | | No. |
| 9 | K01085 | | TUBO DI SCARICO | WATER DRAIN HOSE | | No. |
| 10 | K00073 | | TUBO TRASPARENTE RETINATO D. 10x16 mm. | D. 10x16 mm. TRANSPARENT HOSE | | Mt. |
| 11 | 3040-0098 | | TUBO DI CARICO | WATER INLET HOSE | | No. |

| COMPONENTI SOLO VERSIONE ARIA--PARTS FOR AIR-COOLED VERSION ONLY--PIECES SEULEMENT POUR VERSION A AIRE | | | | | | |
|--|-------------|--------------------|-------------------------|----------------------|-------------|------|
| POS.-ITEM | CODICE-CODE | DA MATR.-FROM S.N. | DESCRIZIONE | DESCRIPTION | DESCRIPTION | U.M. |
| 7 | K01805 | | RACCORDO DI SCARICO (*) | DRAIN CONNECTION (*) | | No. |

| COMPONENTI SOLO VERSIONE ACQUA--PARTS FOR WATER-COOLED VERSION ONLY--PIECES SEULEMENT POUR VERSION A EAU | | | | | | |
|--|-------------|--------------------|-------------------------|----------------------|-------------|------|
| POS.-ITEM | CODICE-CODE | DA MATR.-FROM S.N. | DESCRIZIONE | DESCRIPTION | DESCRIPTION | U.M. |
| 7 | K01806 | | RACCORDO DI SCARICO (*) | DRAIN CONNECTION (*) | | No. |

(*) RICAMBI CONSIGLIATI- RECOMMENDED SPARE PARTS-PIECES DETACHEES RECOMMANDEES

+7(812)987-08-81



Зип Общепит

| PARTI COMUNI--COMMON PARTS--PIECES COMMUNES | | | | | | |
|---|-------------|--------------------|---|--|-------------|------|
| POS.-ITEM | CODICE-CODE | DA MATR.-FROM S.N. | DESCRIZIONE | DESCRIPTION | DESCRIPTION | U.M. |
| 1 | K00032 | | ASS. CAVO DI ALIM. 3G1.5 SPINA SCHUKO | POWER CORD SUPPLY 3G1.5 SCHUKO PLUG | | No. |
| 2 | 00K17304 | | MICROINTERRUTTORE VASCETTA (*) | WATER TANK MICRO SWITCH (*) | | No. |
| 3 | 00005471 | | TEMPORIZZATORE MULTISCALE 1'/10 dd | 1/10" MULTITIME RELAYS | | No. |
| 4 | K01212 | | ASS. ELETTROVALVOLA SINGOLA 230V 50/60 Hz (*) | SINGLE SOLENOID VALVE ASSY 230V 50/60 Hz (*) | | No. |
| 5 | 00004650 | | RELE' DEVIATORE BIPOLARE 230V 50 Hz | 230V 50 Hz TWO POLE POWER RELAYS | | No. |
| 7 | K04133 | | INTERRUTTORE TONDO ON-OFF | ON-OFF ROUND SWITCH | | No. |
| 8 | 00K15790 | | MOTORIDUTTORE | G-ARM MOTOR | | No. |
| 9 | K00080 | | TERMOSTATO EVAPORATORE (*) | E-APPOINTMENT THERMOSTAT (*) | | No. |
| 11 | - | | VED. TABELLA RIF. 11 | SEE TABLE RIF. 11 | | No. |
| 12 | K00079 | | TERMOSTATO LIVELLO GHIACCIO (*) | ICE LEVEL THERMOSTAT (*) | | No. |

| COMPONENTI SOLO VERSIONE ARIA--PARTS FOR AIR-COOLED VERSION ONLY--PIECES SEULEMENT POUR VERSION A AIRE | | | | | | |
|--|-------------|--------------------|-------------|-------------|-------------|------|
| POS.-ITEM | CODICE-CODE | DA MATR.-FROM S.N. | DESCRIZIONE | DESCRIPTION | DESCRIPTION | U.M. |
| - | - | | - | - | - | - |

| COMPONENTI SOLO VERSIONE ACQUA--PARTS FOR WATER-COOLED VERSION ONLY--PIECES SEULEMENT POUR VERSION A EAU | | | | | | |
|--|-------------|--------------------|---------------------------------------|---------------------------------|-------------|------|
| POS.-ITEM | CODICE-CODE | DA MATR.-FROM S.N. | DESCRIZIONE | DESCRIPTION | DESCRIPTION | U.M. |
| 6 | K00076 | | TERMOSTATO SICUREZZA CONDENSATORE (*) | CONDENSER SAFETY THERMOSTAT (*) | | No. |
| 10 | 00K17262 | | ASS. MOTOVENTILATORE | FAN MOTOR ASSY | | No. |

| RIF.11 - MOTORE MONOF-SINGLE PH. MOTOR | |
|--|-------------|
| | CODICE-CODE |
| VERS. 230V 50 Hz | 4022-0001 |
| VERS. 220V 60 Hz | 4022-0004 |

(*) RICAMBI CONSIGLIATI- RECOMMENDED SPARE PARTS-PIECES DETACHEES RECOMMANDEES