



CB 955

Зип Общепит

LIST OF THE EXPLODED VIEWS

vsezip.ru

+7(812)987-08-81



SHELL ASSY

COOLING SYSTEM

HYDRAULIC CIRCUIT

ELECTRIC PARTS

Rev. 7 - 15/05/2009



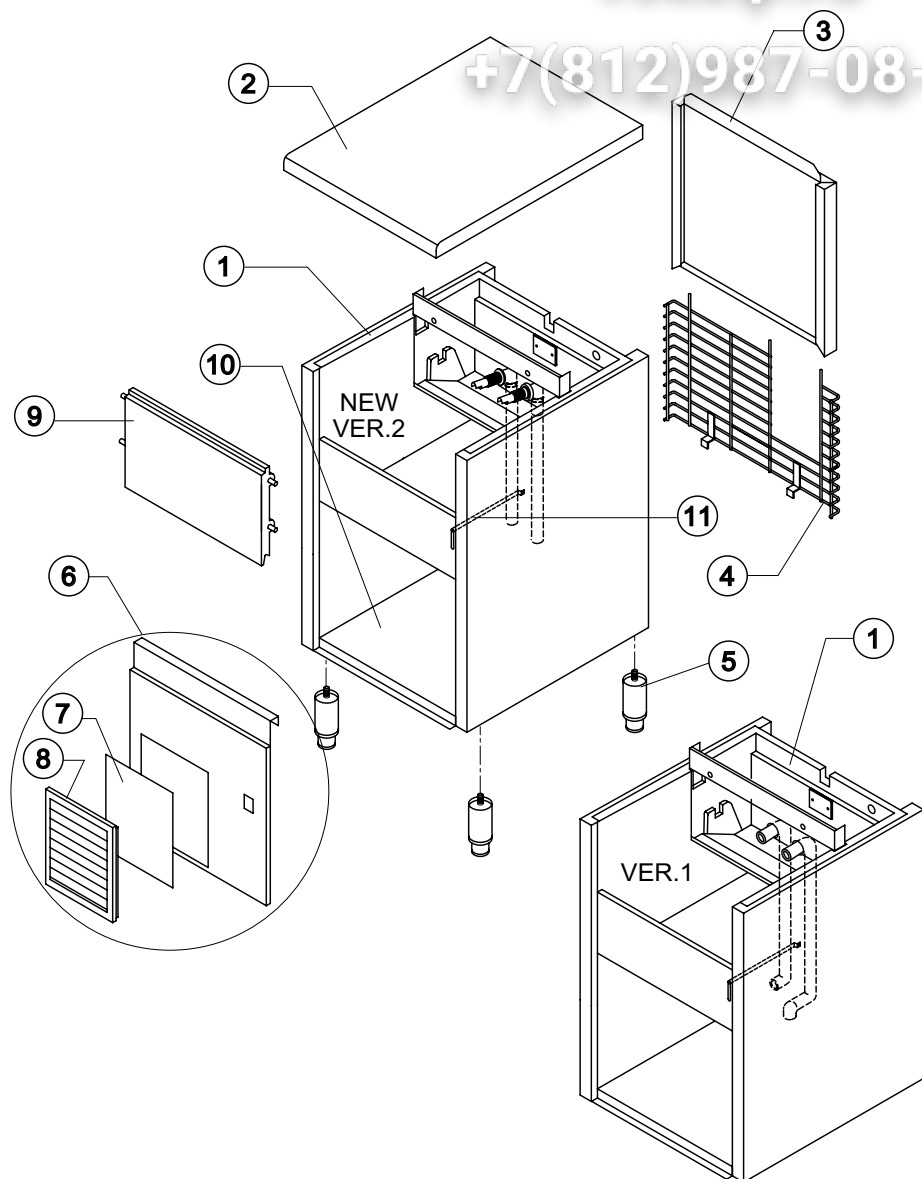
CB 955

Зип Ощепит

vsezip.ru

+7(812)987-08-81

SHELL ASSY



Rev. 7 - 15/05/2009

Ref.	Spare Description	Code
1	Foamed Cabinet Assy	See Table
2	Top Assy	C22673
3	Rear Panel Assembly	C21185
4	Rear Grid	D12015
5	Adjustable Stainless Steel Foot	Current Version
5	ABS Foot	Fino a Matr. 142209
6	Front Grid Panel	Current Version
6	Front Panel	Till s/n. 29519
7	Filtering Panel	18106
8	Frame + Grid & Filter	C10205
9	Door Assy	C10275
10	Base Plate	Current Version
10	Base Plate	Till s/n. 142209
11	Bulb-holder Pipe	Current Version
11	Bulb-holder Pipe	Till s/n. 257671

Ref. 1 - Foamed Cabinet Assy

Version 1

Kind of Cube	Code
18 g. (Standard)	C11040/E
33 g.	C11040/E
13 g.	C11040/ED

Ref. 1 - Foamed Cabinet Assy

Version 2

Condensation	Code
Air	C11040A
Water	C11040W



CB 955

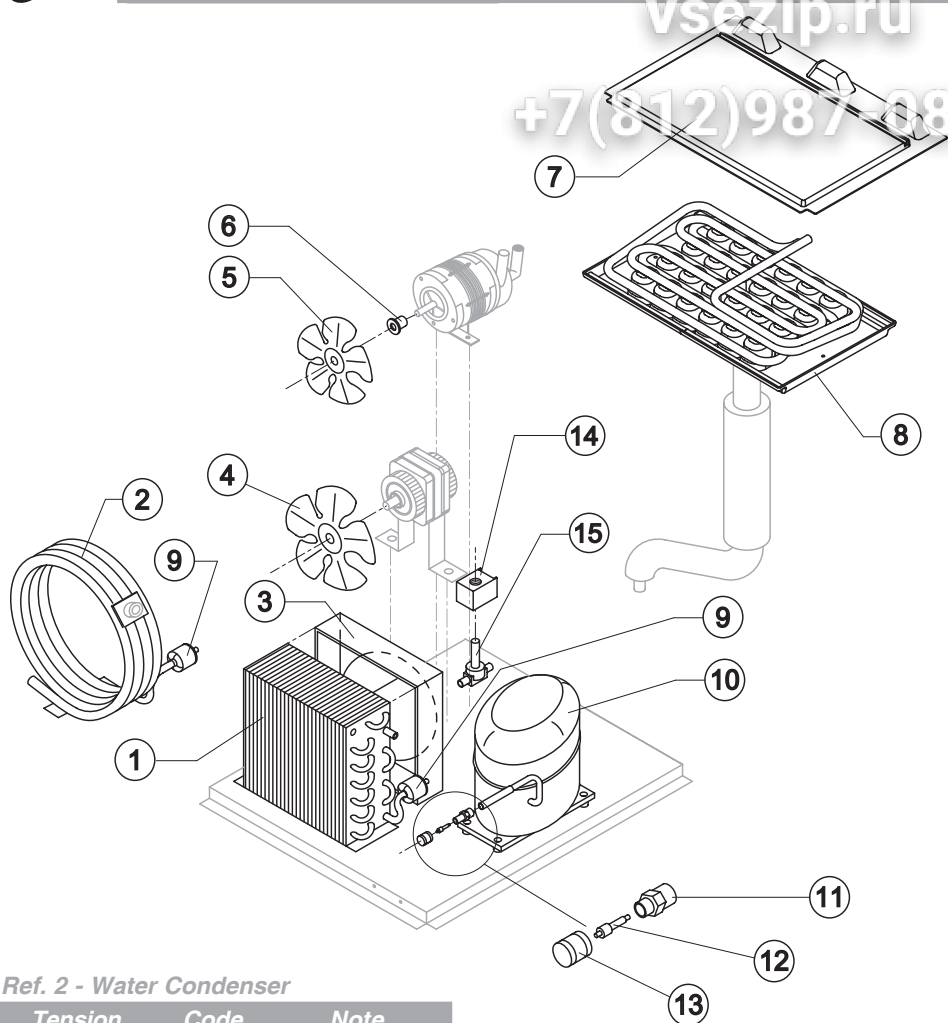
Зип Общепит

vsezip.ru

+7(812)987-08-81

COOLING SYSTEM

Rev. 7 - 15/05/2009



Common Parts

Ref.	Spare Description	Code
	Sucking Fan	10213
6	Fan Fixing Hub	10014
7	Evaporator Cover Panel	Current Version 10448
7	Evaporator Cover Panel	Till s/n. 225237 10039
8	Evaporator	See Table -
9	Solid Core Drier	14089
10	Compressor	See Table -
11	Vacuum Charge Valve Body	14007
12	Vacuum Charge Valve Device	14005
13	Vacuum Charge Valve Plug	14006
14	Hot Gas Valve Coil	See Table -
15	Hot Gas Valve Body	Current Version 20410
15	Hot Gas valve Body	Till s/n. 27646 20409

Parts for Air-Cooled Version Only

Ref.	Spare Description	Code
1	Air Condenser	Current Version 20264
1	Air Condenser	Till s/n 27646 20030
3	Air Condenser Conveyor	Current Version 10163
3	Air Condenser Conveyor	Till s/n 27646 10085
4	Sucking Fan	20031

Parts for Water-Cooled Version Only

Ref.	Spare Description	Code
2	Water Condenser	14081
4	Sucking Fan	Till s/n. 219659 10213

Ref. 2 - Water Condenser

Tension	Code	Note
T11	14081	Current Version
T11	14034	Till s/n. 245059
T12	14081	Current Version
T12	14034	Till s/n. 244256
T13 e T19	14081	Current Version
T13 e T19	14034	Till s/n. 244256

Ref. 8 - Evaporator

Kind of Cube	Code
18 g. (Standard)	D10047
33 g.	D10090
13 g.	D10418
42 g.	D10480

Ref. 10 - Compressor

Tension	Code
T11	23444
T12	23504A
T13	23553
T19	23553

Ref. 14 - Hot Gas Valve Coil

Tension	Code
T11	23091
T12	23091
T13	23256
T19	23256

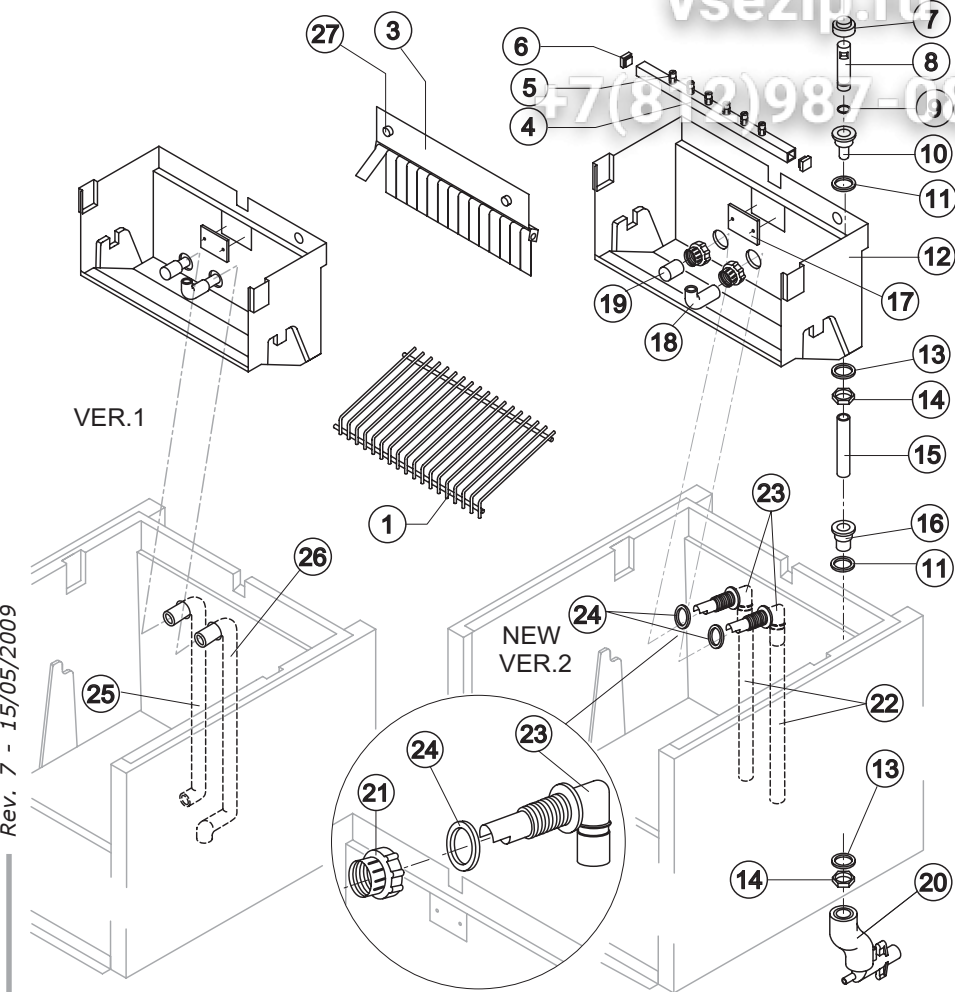


CB 955

Зип Общепит

HYDRAULIC CIRCUIT

vsezip.ru
+7(812)987-08-81



Rev. 7 - 15/05/2009

Ref. 1 - Ice Cube Slide

Kind of Cube	Code
18 g. (Standard)	D12017
33 g.	D12031
13 g.	D12039
42 g.	D12071

Ref. 4 - Sprayers Bar Ass.

Kind of Cube	Code
18 g. (Standard)	C20058
33 g.	C20156
13 g.	C20190
42 g.	C20802

Common Parts

Ref.	Spare Description	Code
	Ice Cubes Slide	See Table
3	Flags Support Assy	C22059
4	Sprayers Bar Assembly	See Table
5	Sprayer	D20002
6	Sprayers Bar Plug	10012
7	Overflow Cap	10305
8	Overflow Pipe	10133
9	OR Gasket for Overflow Pipe	20233
10	Overflow Pipe Nipple	10471
11	Silicone Gasket	13006
12	Inner Basin	10034
13	Semirigid Polyethylene Gasket	13007
14	Bin Discharge Nut	10096
15	Overflow Pipe	Current Version
15	Overflow Pipe	Till s/n 62553
16	Water Outlet Nipple	10472
17	Slide Keep Plate	Till s/n. 227937
18	Sprayers Feeding Pipe	13005
19	Pump Suction Filter	20005
21	Fittings Locking Ring	Version 2
21	Fittings Locking Ring	10405
22	Pump Suction/Delivery Pipe	Version 2
22	Pump Suction/Delivery Pipe	13141
23	Fitting of the Pump Suction/Delivery Pipes	Version 2
23	Fitting of the Pump Suction/Delivery Pipes	10404
24	Gasket for Pump Suction/Delivery Pipes	Version 2
24	Gasket for Pump Suction/Delivery Pipes	13143
25	Pump Suction Pipe	Version 1
25	Pump Suction Pipe	13059
26	Pump Delivery Pipe	Version 1
26	Pump Delivery Pipe	13058
27	Fixing Screw	20009

Parts for Air Cooled Version Only

Ref.	Spare Description	Code
20	Discharges Manifold	C10006

Parts for Water Cooled Version Only

Ref.	Spare Description	Code
20	Discharges Manifold	C26452



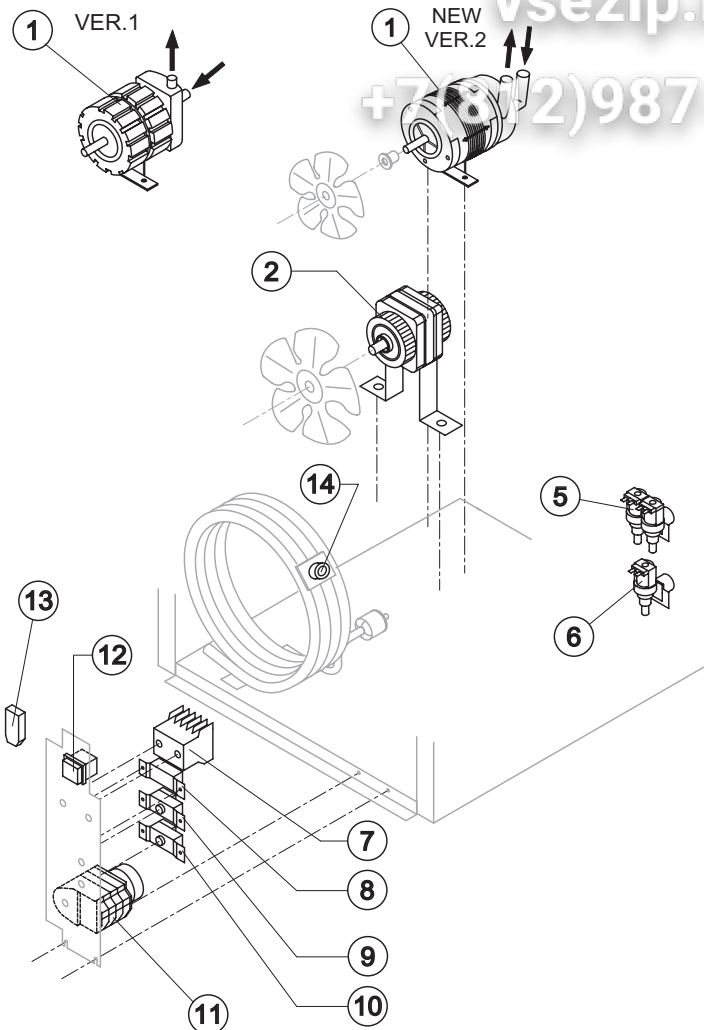
CB 955

Зип Общепит

vsezip.ru

+7(812)987-08-81

ELECTRIC PARTS



Common Parts

Ref.	Spare Description	Code
1	Pump	See Table -
2	Fan Motor	See Table -
7	Contactor	Only T13 and T19 23595
8	Condenser Pressure Switch	23175
9	Bin Thermostat	R23005
10	Evaporator Thermostat	R23591
11	Timer	See Table -
12	Green Light Switch (On-Off)	23327

Parts for Air-Cooled Version Only

Ref.	Spare Description	Codice
6	1 Way- Water Inlet Valve	See Table -
13	Anti Radio Interference Filter	Only T11 C23459

Parts for Water-Cooled Version Only

Ref.	Spare Description	Codice
5	2 Ways- Water Inlet Valve	See Table -
13	Anti Radio Interference Filter	Only T11 C23457
14	Safety Thermostat	C23114

Ref. 1 - Pump

Tension	Version 1	Version 2
T11	23002	23377
T12	23002	23377
T13	23264	23663
T19	-	23663

Ref. 2 - Fan motor

Tension	Air	Water Till s/n. 219659
T11	23067	23029
T12	23681	23029
T13	23621	23683
T19	23621	-

Ref. 5 - 2 Ways- Water inlet valve

Tension	Cube 18g/13g	Cube 33g	Cube 42g
T11	23010	23010	23781
T12	23010	23781	23781
T13	23261	23758	23758
T19	23261	23758	23758

Ref. 6 - 1 Way - Water Inlet valve

Tension	Cube 18g/13g	Cube 33g	Cube 42g
T11	23001	23001	23220
T12	23001	23220	23220
T13	23260	23281	23281
T19	23260	23281	23281

Ref. 8 - Cond. Pressure Switch

Tension	Code
T11	23175
T12	23175
T13	23175
T19	23680

Ref. 11 - Timer

Tension	18 g Cube	33 g Cube	13 g Cube	42 g Cube
T11	23222	23248	23247	23780
T12	23248	23780	23247	23780
T13	23259	23786	23258	23786
T19	23259	23786	23258	23786

Rev. 7 - 15/05/2009