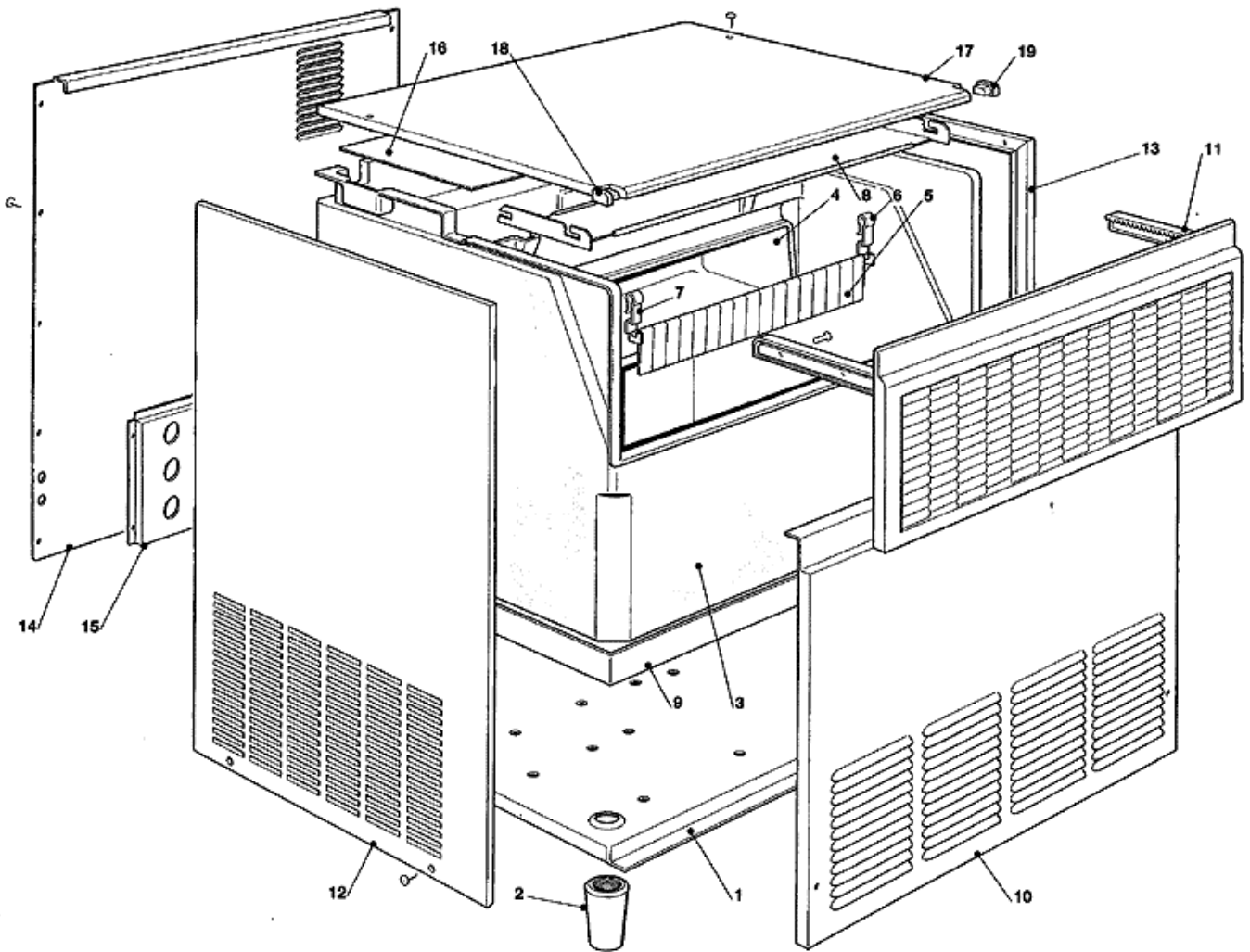


Эл. Общест.

vsezip.ru

+7(812)987-08-81

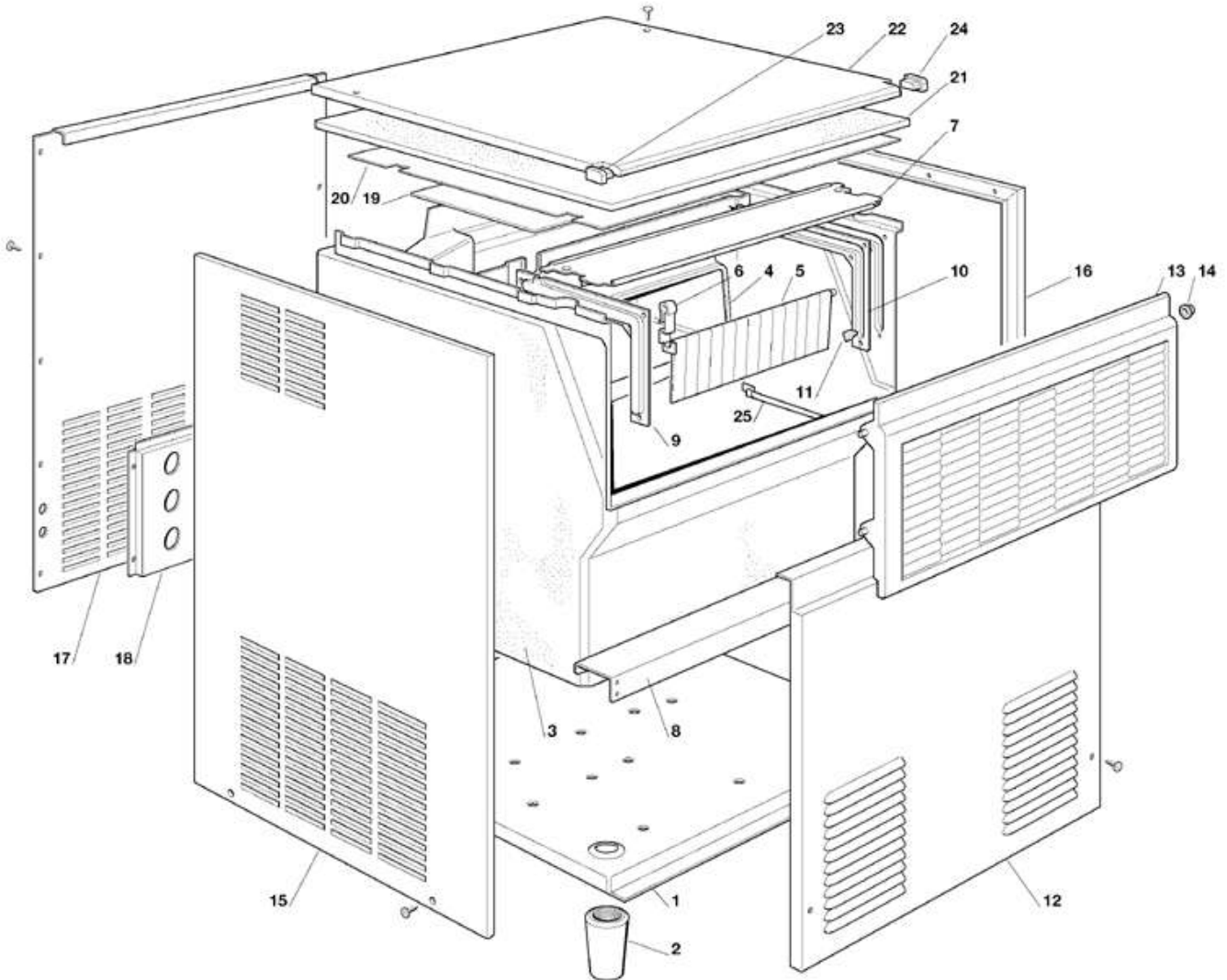


Всё Общепит

vsezip.ru

812)987-08-81

Pos	Code	Description
0002	SC660638 00	LEG
0004	SC660661 01R	NO LONGER AVAILABLE
0005	SC784457 04R	NO LONGER AVAILABLE
0008	SC721679 01	SPACER
0009	SC702254 01	METAL STRIP
0010	SC722436 00	TOP PANEL
0011	SC660616 00	NLA
0011	SC782100 19R	NO LONGER AVAILABLE
0012	SC721993 00	LEFT SIDE PANEL
0013	SC721992 00	RIGHT SIDE PANEL
0014	SC702249 00	NO LONGER AVAILABLE
0015	SC702180 00	NLA
0016	SC741075 02	NO LONGER AVAILABLE
0017	SC722493 00	FRONT PANEL
0018	SC660528 01	NO LONGER AVAILABLE
0019	SC660528 00	NO LONGER AVAILABLE





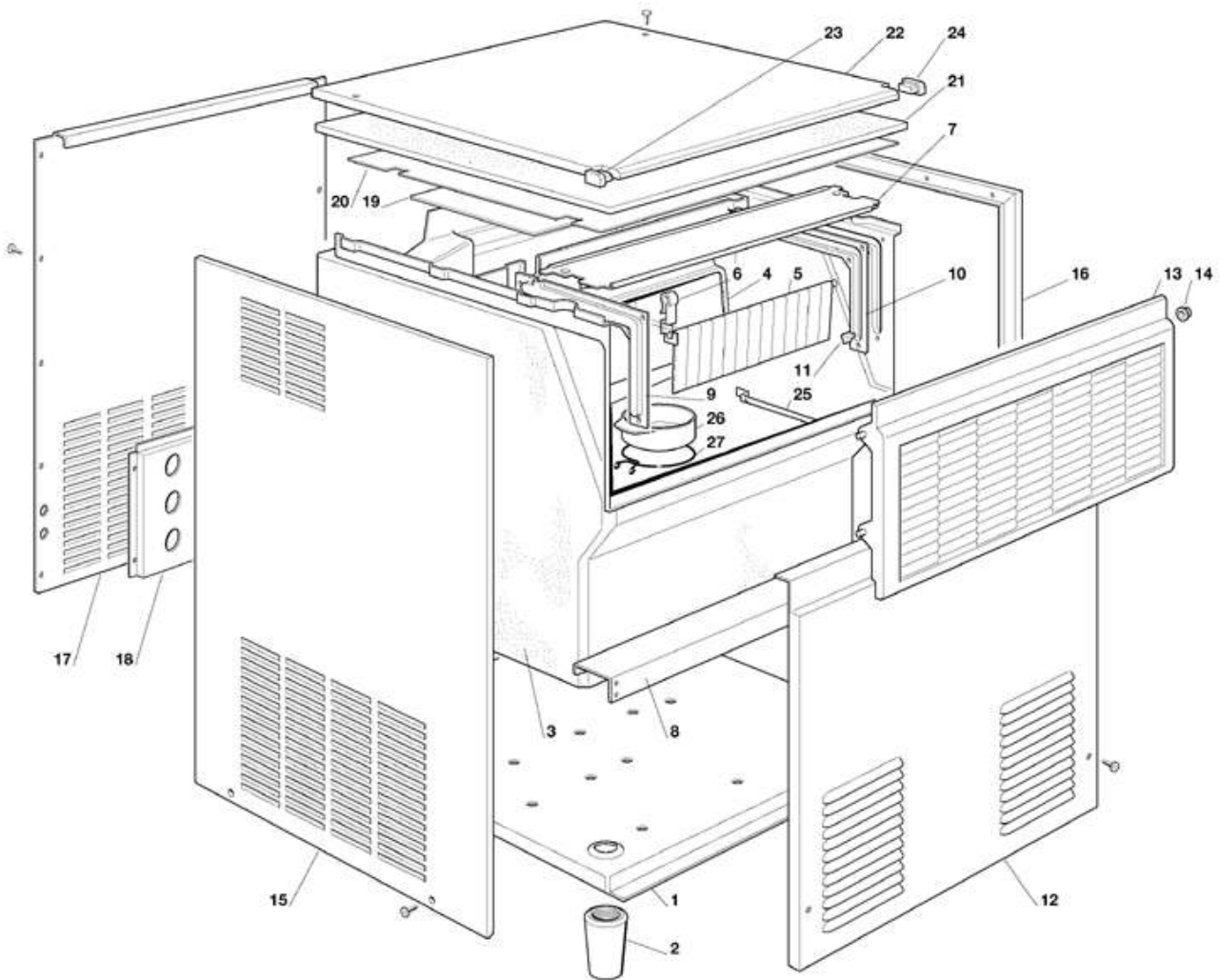
**BARLINE50 - UNIT PANELS - FROM S.N. 2249 TO S.N. 2411**

Зип Общепит

vsezip.ru

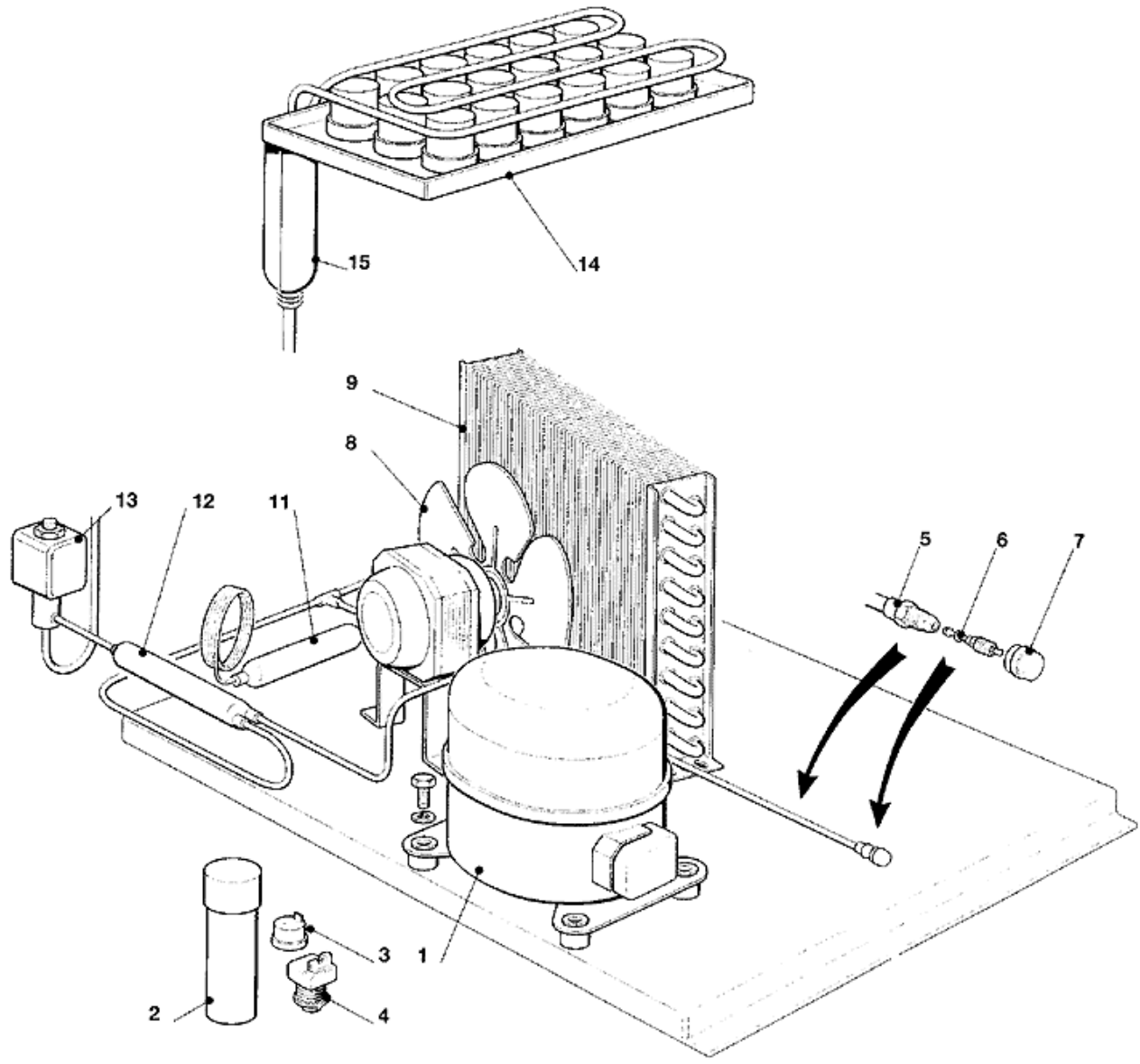
+7(812)987-08-81

Pos	Code	Description
0001	SC781406 10	UNIT BASE ASSY
0002	SC660638 00	LEG
0003	SC782096 10R	NO LONGER AVAILABLE
0004	SC660661 01R	NO LONGER AVAILABLE
0005	SC784457 04R	NO LONGER AVAILABLE
0007	SC724399 00	BRACKET STORAGE BIN
0008	SC702254 01	METAL STRIP
0009	SC660801 01	LEFT SIDE GUIDE
0010	SC660801 00	RIGHT SIDE GUIDE
0011	SC660816 00	SHOCK ABSORBER
0012	SC722000 00	FRONT PANEL
0013	SC661223 00	GRAY DOOR RAL 7075
0014	SC660286 00	BUSHING
0015	SC721993 00	LEFT SIDE PANEL
0016	SC721992 00	RIGHT SIDE PANEL
0017	SC702249 00	NO LONGER AVAILABLE
0018	SC702248 00	BRACKET
0019	SC741075 02	NO LONGER AVAILABLE
0022	SC722436 00	TOP PANEL
0023	SC660528 01	NO LONGER AVAILABLE
0024	SC660528 00	NO LONGER AVAILABLE
0025	SC732017 00	BULB HOLDER



+7(812)987-08-81

Pos	Code	Description
0001	SC781406 10	UNIT BASE ASSY
0002	SC660638 00	LEG
0003	SC782096 10R	NO LONGER AVAILABLE
0004	SC660661 03	NO LONGER AVAILABLE
0005	SC784457 04R	NO LONGER AVAILABLE
0007	SC724399 00	BRACKET STORAGE BIN
0008	SC702254 01	METAL STRIP
0009	SC660801 01	LEFT SIDE GUIDE
0010	SC660801 00	RIGHT SIDE GUIDE
0011	SC660816 00	SHOCK ABSORBER
0012	SC722000 00	FRONT PANEL
0013	SC661223 00	GRAY DOOR RAL 7075
0014	SC660286 00	BUSHING
0015	SC721993 00	LEFT SIDE PANEL
0016	SC721992 00	RIGHT SIDE PANEL
0017	SC702249 00	NO LONGER AVAILABLE
0018	SC702248 00	BRACKET
0019	SC741075 02	NO LONGER AVAILABLE
0022	SC722436 00	TOP PANEL
0023	SC660528 01	NO LONGER AVAILABLE
0024	SC660528 00	NO LONGER AVAILABLE
0025	SC732017 00	BULB HOLDER
0026	SC660741 00	PLASTIC PLUG
0027	SC460047 00	SPRING



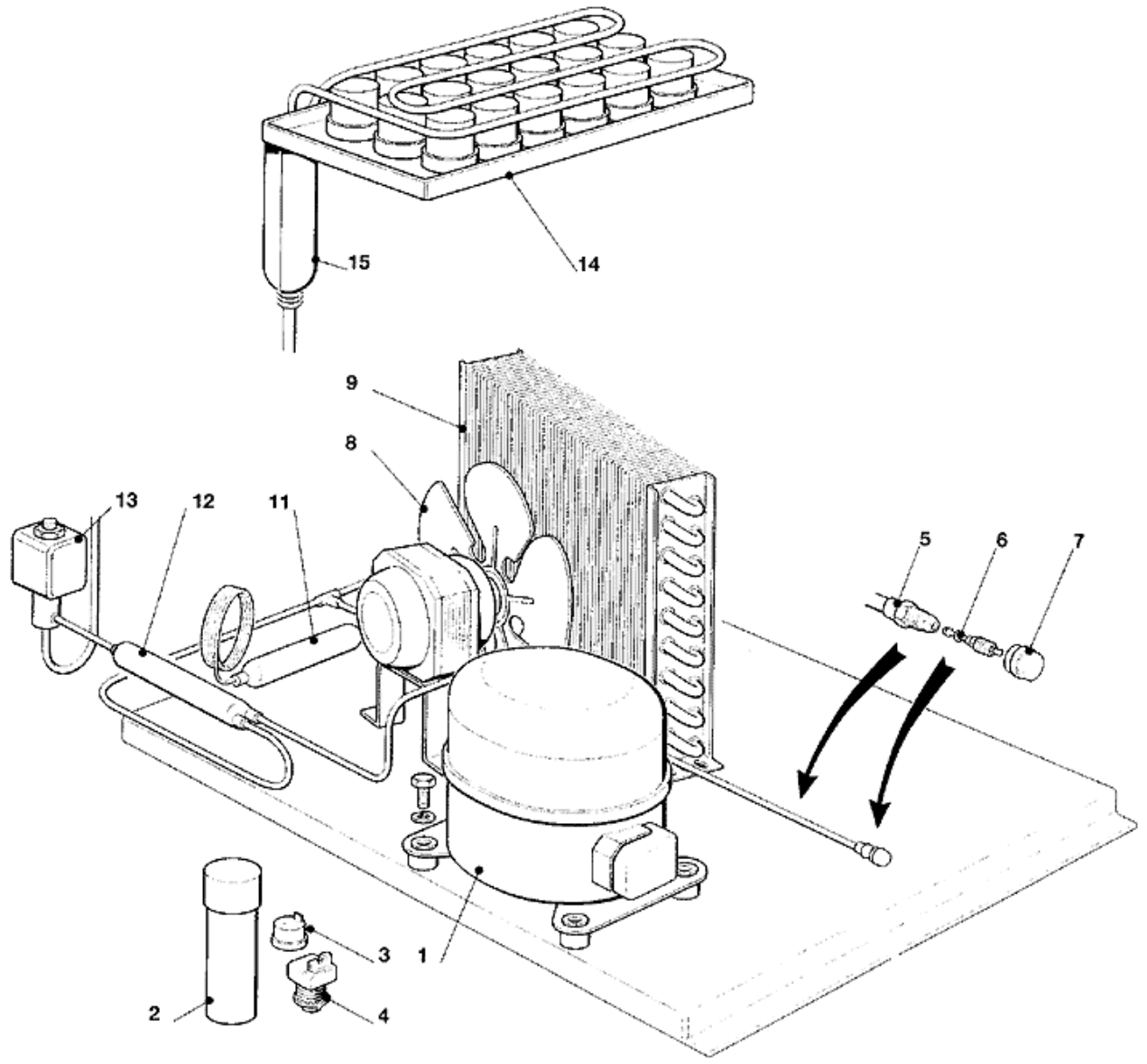
Pos	Code	Description
0001	SC670100 01	COMPRESSOR - 230/50/1
0001	SC670100 08	COMPRESSOR - 230/50-60/1
0002	SCCUB 102661	START CAPACITOR
0003	SCCUB 102190	PROTECTOR
0003	SCCUB 102200	PROTECTOR
0004	SCCUB 405177	STARTING RELAY 230/50/1
0004	SCCUB 405178	STARTING RELAY 230/60/1
0005	SC650109 00	VALVE BODY
0006	SC670012 00	VALVE CORE
0007	SC650106 00	CAP
0008	SC620419 02	FAN MOTOR ATEX
0008	SC620419 33	BLADE
0009	SC620455 00	AIR COOLED CONDENSER
0011	SC630003 05	DRIER
0012	SC630137 01	MECHANICAL FILTER
0013	SC620306 27	HOT GAS VALVE BODY
0013	SC620306 48	HOT GAS VALVE COIL
0014	SC784477 02	EVAPORATOR PLATEN ASSY
0015	SC784444 10	SECTION LINE/ACCUMULATOR



Зип Общепит

vsezip.ru

+7(812)987-08-81

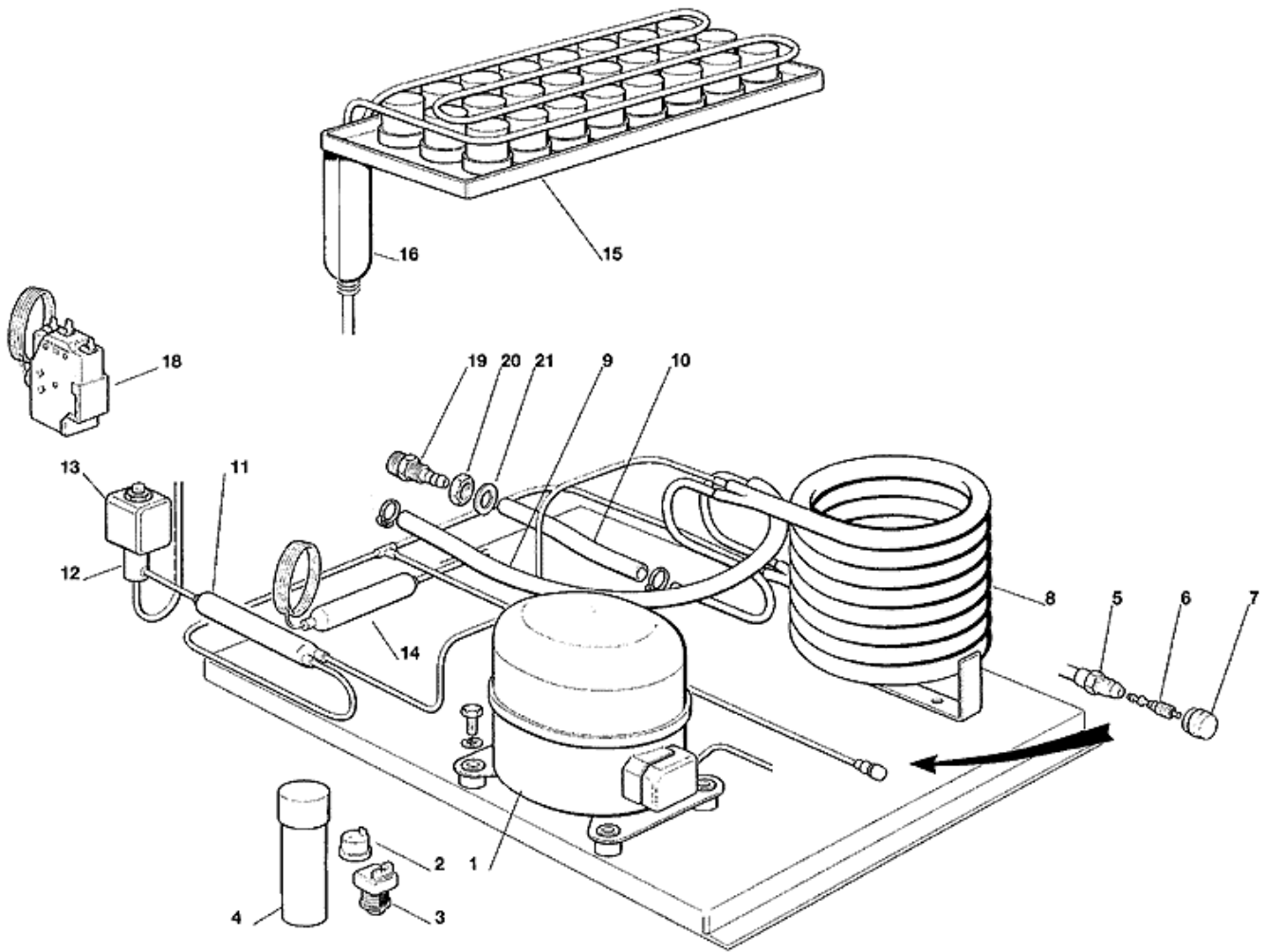


Зип Общепит

vsezip.ru

+7(812)987-08-81

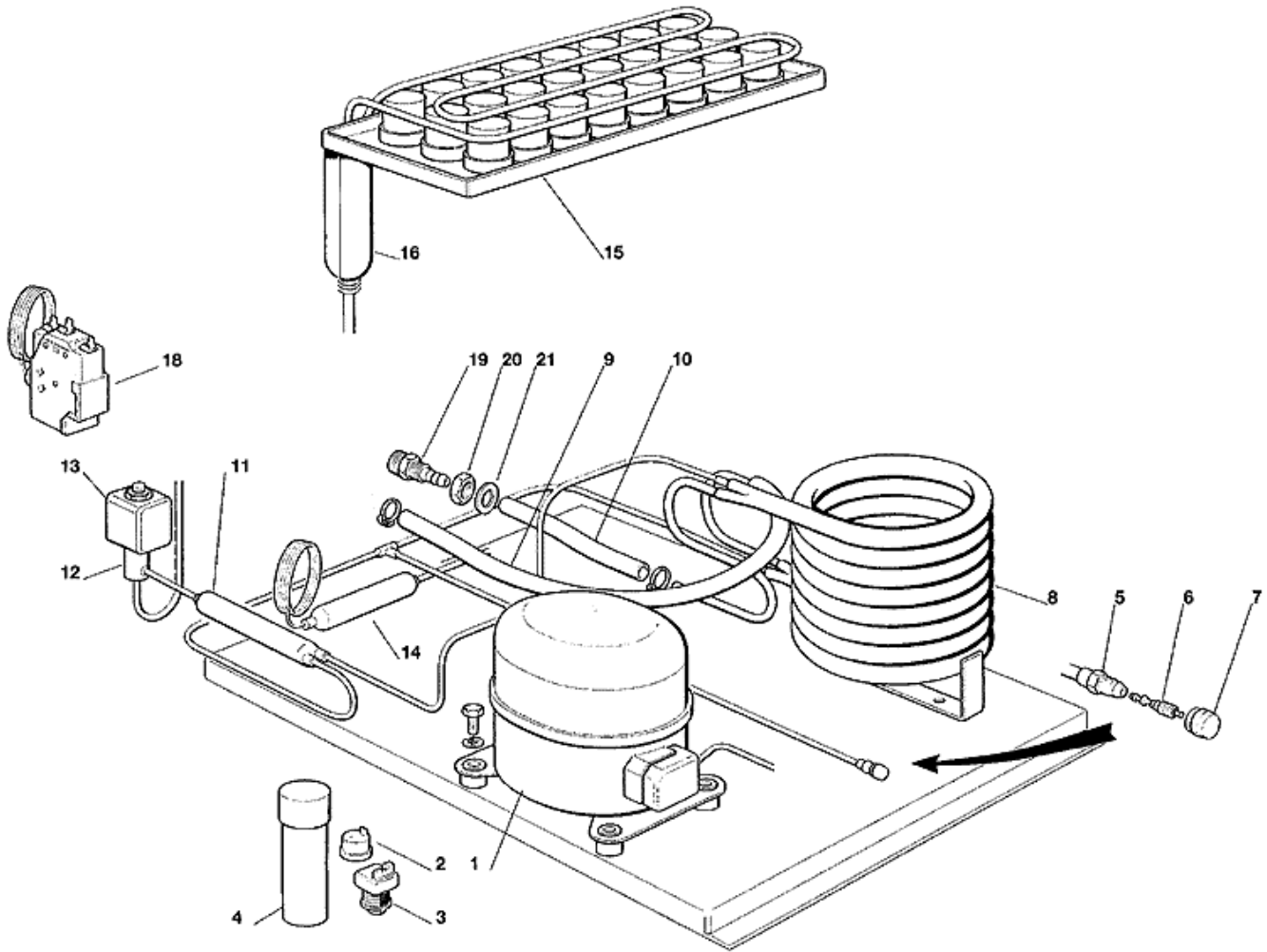
Pos	Code	Description
0001	SC670105 05	COMPRESSOR - 230/50/1
0001	SC670105 06	COMPRESSOR - 230/60/1
0002	SCCUB 102661	START CAPACITOR
0002	SCEMB 2252345	CAPACITOR
0002	SCEMB 2252352	CAPACITOR
0003	SCEMB 2319079	PROTECTOR
0003	SCEMB 2319101	PROTECTOR
0004	SCEMB 2334112	RELAY
0005	SC650109 00	VALVE BODY
0006	SC670012 00	VALVE CORE
0007	SC650106 00	CAP
0008	SC620419 02	FAN MOTOR ATEX
0008	SC620419 33	BLADE
0009	SC620455 00	AIR COOLED CONDENSER
0011	SC630003 05	DRIER
0012	SC630137 01	MECHANICAL FILTER
0013	SC620306 27	HOT GAS VALVE BODY
0013	SC620306 48	HOT GAS VALVE COIL
0014	SC784477 02	EVAPORATOR PLATEN ASSY
0015	SC784444 10	SECTION LINE/ACCUMULATOR



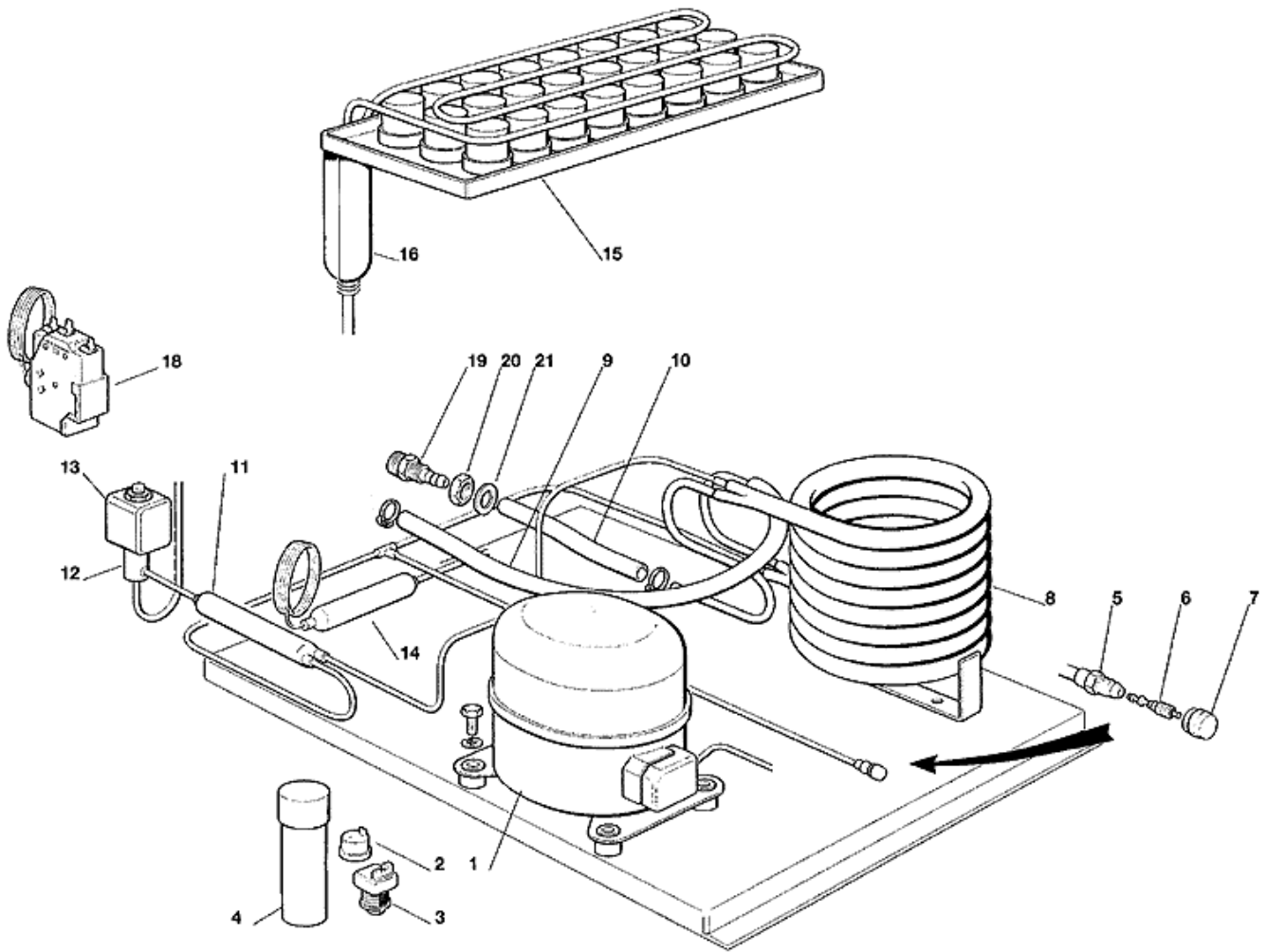
Pos	Code	Description
0001	SC670100 01	COMPRESSOR - 230/50/1
0001	SC670100 08	COMPRESSOR - 230/50-60/1
0002	SCCUB 102190	PROTECTOR
0002	SCCUB 102200	PROTECTOR
0003	SCCUB 405177	STARTING RELAY 230/50/1
0003	SCCUB 405178	STARTING RELAY 230/60/1
0004	SCCUB 102661	START CAPACITOR
0005	SC650109 00	VALVE BODY
0006	SC670012 00	VALVE CORE
0007	SC650106 00	CAP
0008	SC620389 00	WATER COOLED CONDENSER
0009	SC281900 01	TUBE 16X10
0010	SC281900 01	TUBE 16X10
0011	SC630137 01	MECHANICAL FILTER
0012	SC620306 27	HOT GAS VALVE BODY
0013	SC620306 48	HOT GAS VALVE COIL
0014	SC630003 05	DRIER
0015	SC784477 02	EVAPORATOR PLATEN ASSY
0016	SC784444 10	SECTION LINE/ACCUMULATOR
0018	SC620075 00	PRESSOSTAT
0019	SC660291 00	TEE TUBE (D13)
0020	SC400030 01	NUT
0021	SC400031 00	WASHER

vsezip.ru

+7(812)987-08-81



Pos	Code	Description
0001	SC670100 01	COMPRESSOR - 230/50/1
0001	SC670100 08	COMPRESSOR - 230/50-60/1
0002	SCCUB 102190	PROTECTOR
0002	SCCUB 102200	PROTECTOR
0003	SCCUB 405177	STARTING RELAY 230/50/1
0003	SCCUB 405178	STARTING RELAY 230/60/1
0004	SCCUB 102661	START CAPACITOR
0005	SC650109 00	VALVE BODY
0006	SC670012 00	VALVE CORE
0007	SC650106 00	CAP
0008	SC620389 00	WATER COOLED CONDENSER
0009	SC281900 01	TUBE 16X10
0010	SC281900 01	TUBE 16X10
0011	SC630137 01	MECHANICAL FILTER
0012	SC620306 27	HOT GAS VALVE BODY
0013	SC620306 48	HOT GAS VALVE COIL
0014	SC630003 05	DRIER
0015	SC784477 02	EVAPORATOR PLATEN ASSY
0016	SC784444 10	SECTION LINE/ACCUMULATOR
0018	SC620075 00	PRESSOSTAT
0019	SC660291 00	TEE TUBE (D13)
0020	SC400030 01	NUT
0021	SC400031 00	WASHER



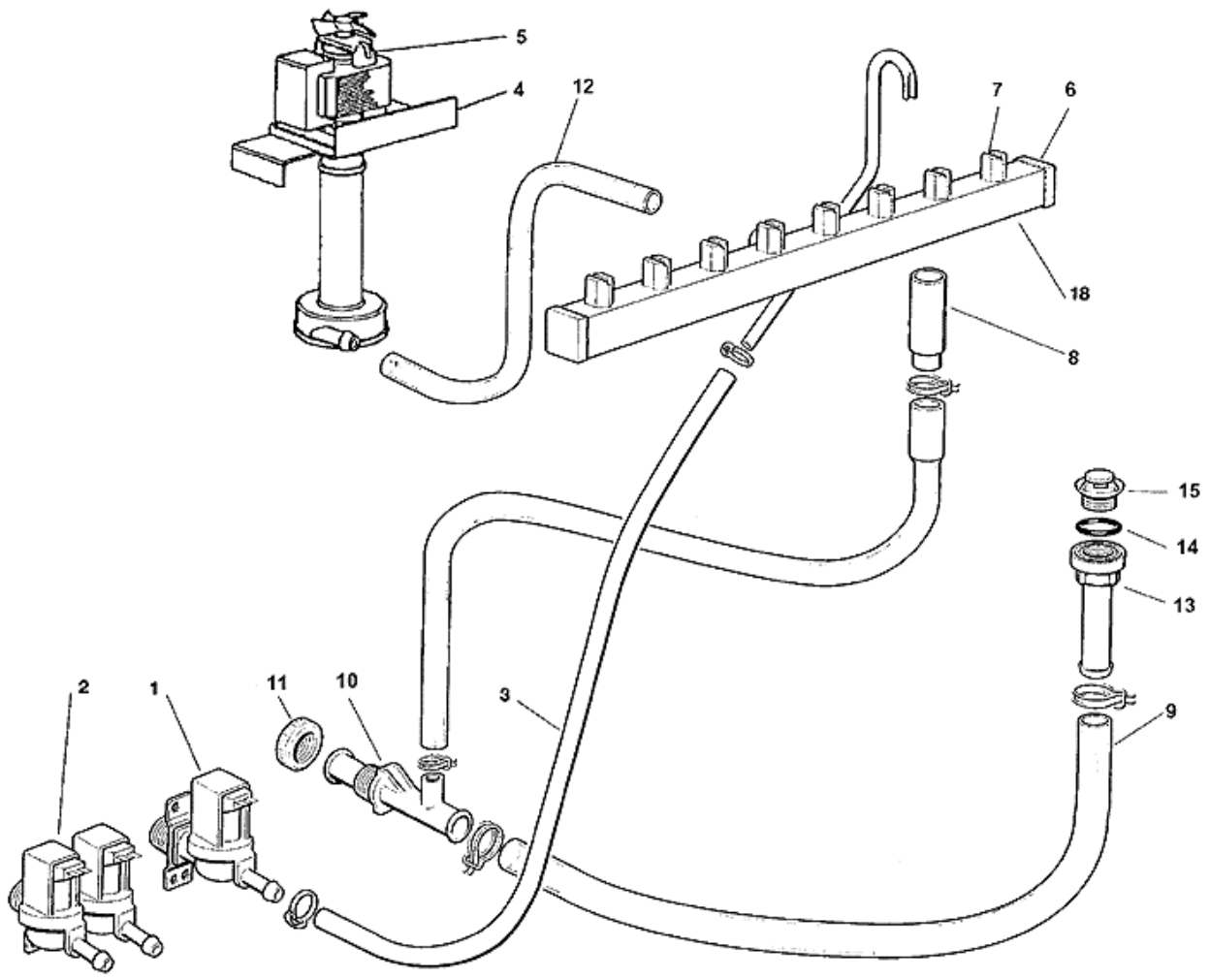
Pos	Code	Description
0001	SC670105 05	COMPRESSOR - 230/50/1
0001	SC670105 06	COMPRESSOR - 230/60/1
0002	SCSEMB 2319079	PROTECTOR
0002	SCSEMB 2319101	PROTECTOR
0003	SCSEMB 2334112	RELAY
0004	SCCUB 102661	START CAPACITOR
0004	SCSEMB 2252345	CAPACITOR
0004	SCSEMB 2252352	CAPACITOR
0005	SC650109 00	VALVE BODY
0006	SC670012 00	VALVE CORE
0007	SC650106 00	CAP
0008	SC620389 00	WATER COOLED CONDENSER
0009	SC281900 01	TUBE 16X10
0010	SC281900 01	TUBE 16X10
0011	SC630137 01	MECHANICAL FILTER
0012	SC620306 27	HOT GAS VALVE BODY
0013	SC620306 48	HOT GAS VALVE COIL
0014	SC630003 05	DRIER
0015	SC784477 02	EVAPORATOR PLATEN ASSY
0016	SC784444 10	SECTION LINE/ACCUMULATOR
0018	SC620075 00	PRESSOSTAT
0019	SC660291 00	TEE TUBE (D13)
0020	SC400030 01	NUT
0021	SC400031 00	WASHER



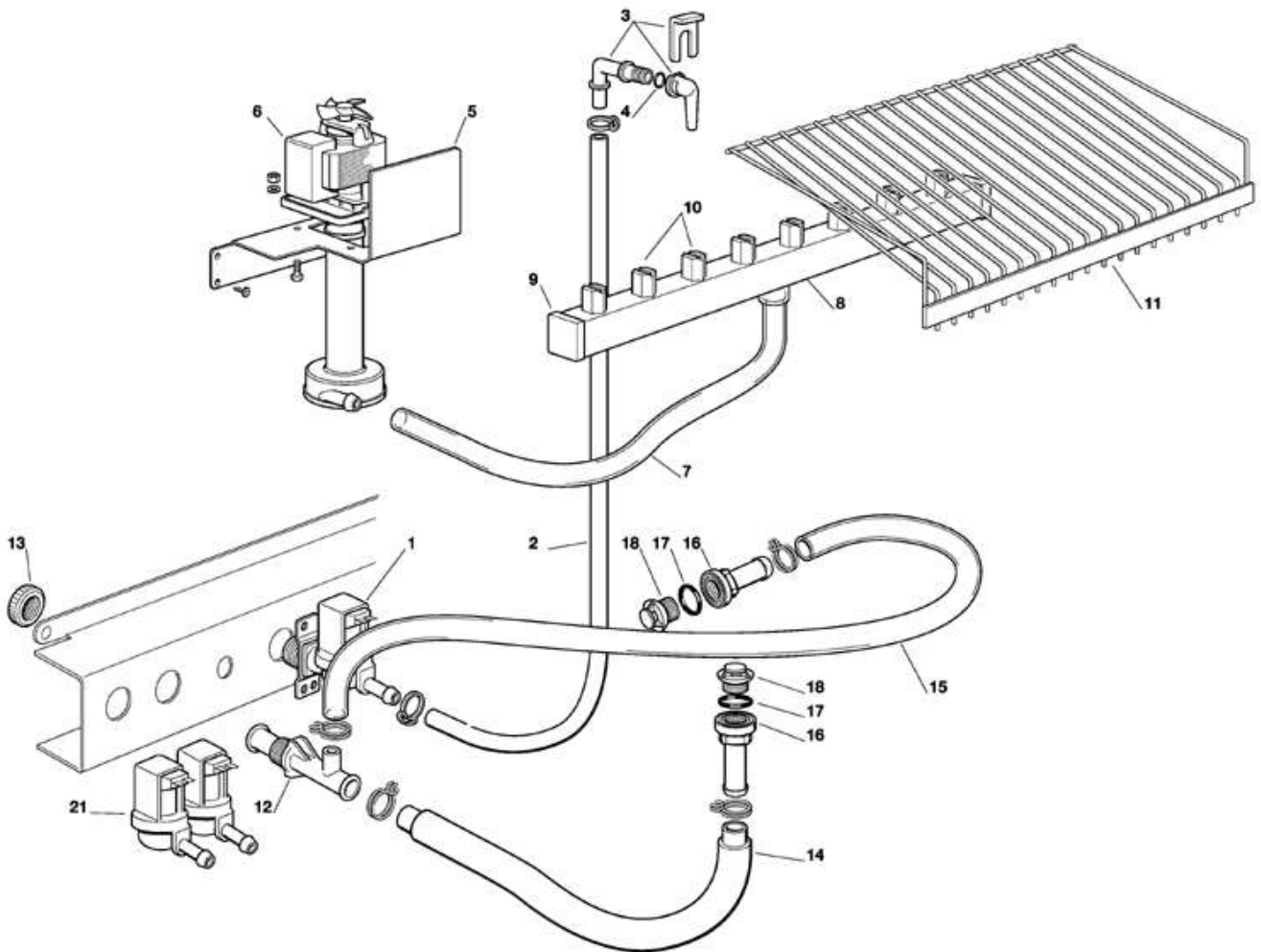
Этот документ

vsezip.ru

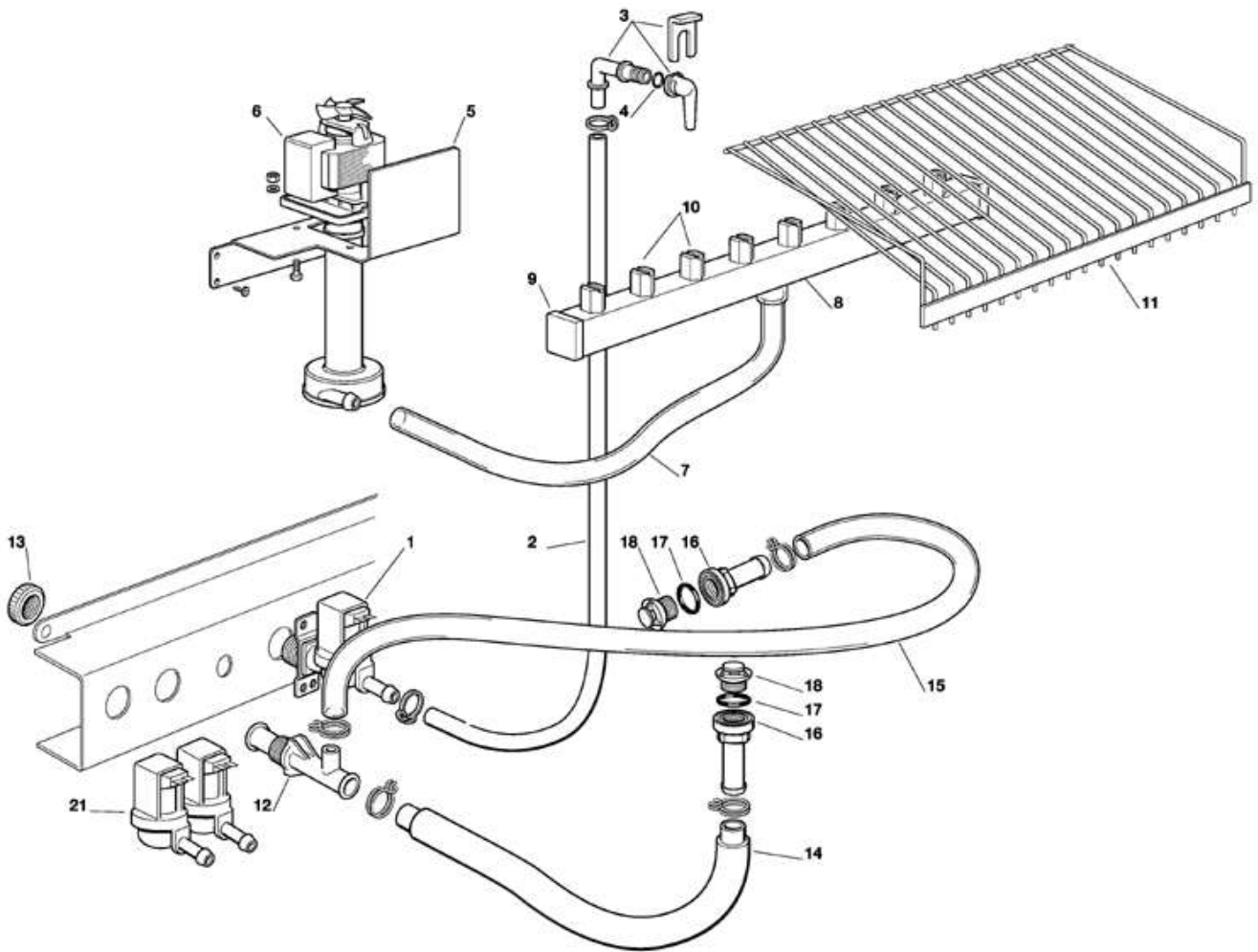
+7(812)987-08-81



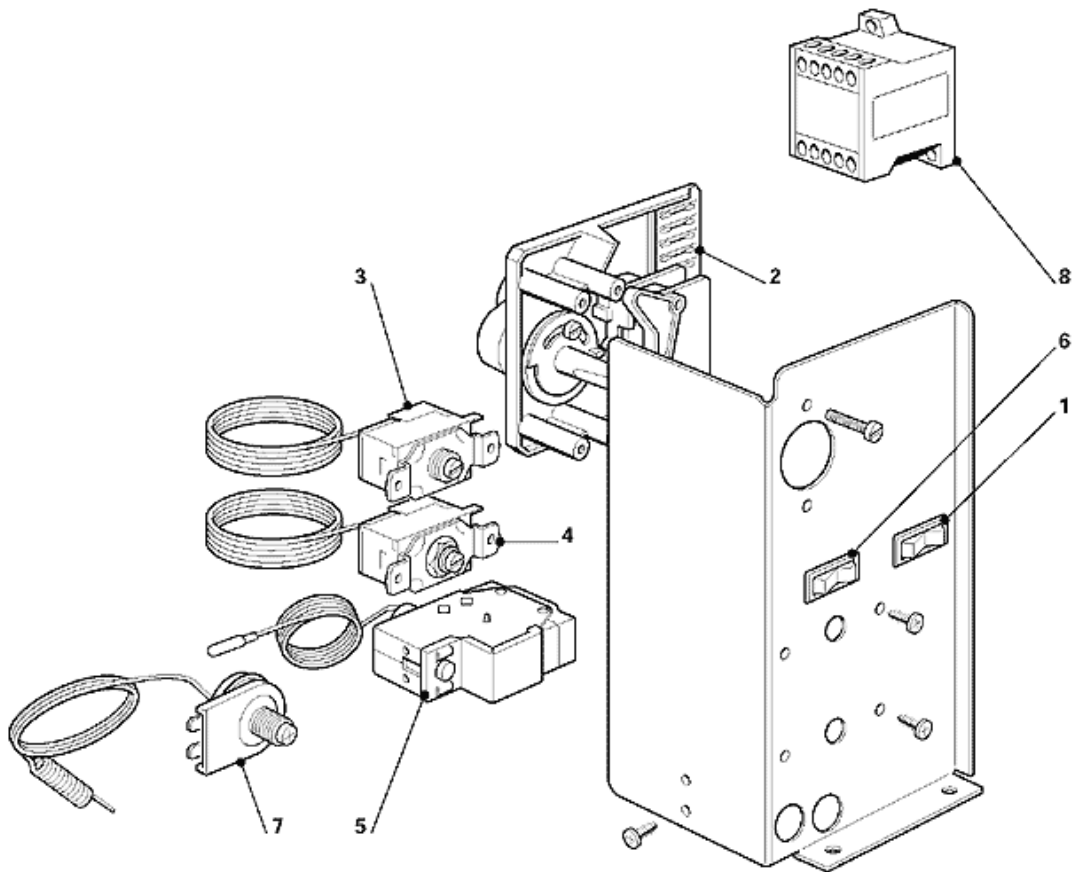
Pos	Code	Description
0001	SC650105 66	WATER INLET VALVE ASSY
0002	SC650105 70	WATER INLET VALVE
0003	SC281900 01	TUBE 16X10
0004	SC724345 00	NO LONGER AVAILABLE
0005	SC620433 01	WATER PUMP - 230/60/1
0005	SC620433 08R	WATER PUMP - 230/50/1
0006	SC660557 00	SPRAY CUP
0007	SC660558 00R	SPRAY NOZZLE ( PACK OF 10 PCS)
0008	SC660698 02	NO LONGER AVAILABLE
0009	SC610148 10	TUBE
0010	SC660224 00	TEE TUBE
0011	SC660535 00	PLASTIC NUT
0012	SC610197 00	TUBE
0013	SC660219 01	BIN DRAIN
0014	SC640134 00	O RING
0015	SC660211 01	DRAIN FILTER
0018	SC650665 23	NO LONGER AVAILABLE
0018	SC650665 24	SPRAY BAR



Pos	Code	Description
0001	SC650105 66	WATER INLET VALVE ASSY
0002	SC281900 01	TUBE 16X10
0003	SC793172 00R	WATER INLET ASSY
0004	SC640041 31	O RING OR 2031 (WRAS-FDA)
0005	SC724407 00	PUMP BRACKET
0006	SC620433 08R	WATER PUMP - 230/50/1
0007	SC610150 04	USE SC610150 08
0008	SC650665 23	NO LONGER AVAILABLE
0008	SC650665 24	SPRAY BAR
0009	SC660557 00	SPRAY CUP
0010	SC660558 00R	SPRAY NOZZLE ( PACK OF 10 PCS)
0011	SC650741 00	CUBE DEFLECTOR - LARGE
0011	SC650741 01	USE SC661082 05
0012	SC660224 00	TEE TUBE
0013	SC660535 00	PLASTIC NUT
0014	SC610148 10	TUBE
0015	SC610191 02	TUBE
0016	SC660219 01	BIN DRAIN
0017	SC640134 00	O RING
0018	SC660211 01	DRAIN FILTER
0021	SC650105 70	WATER INLET VALVE

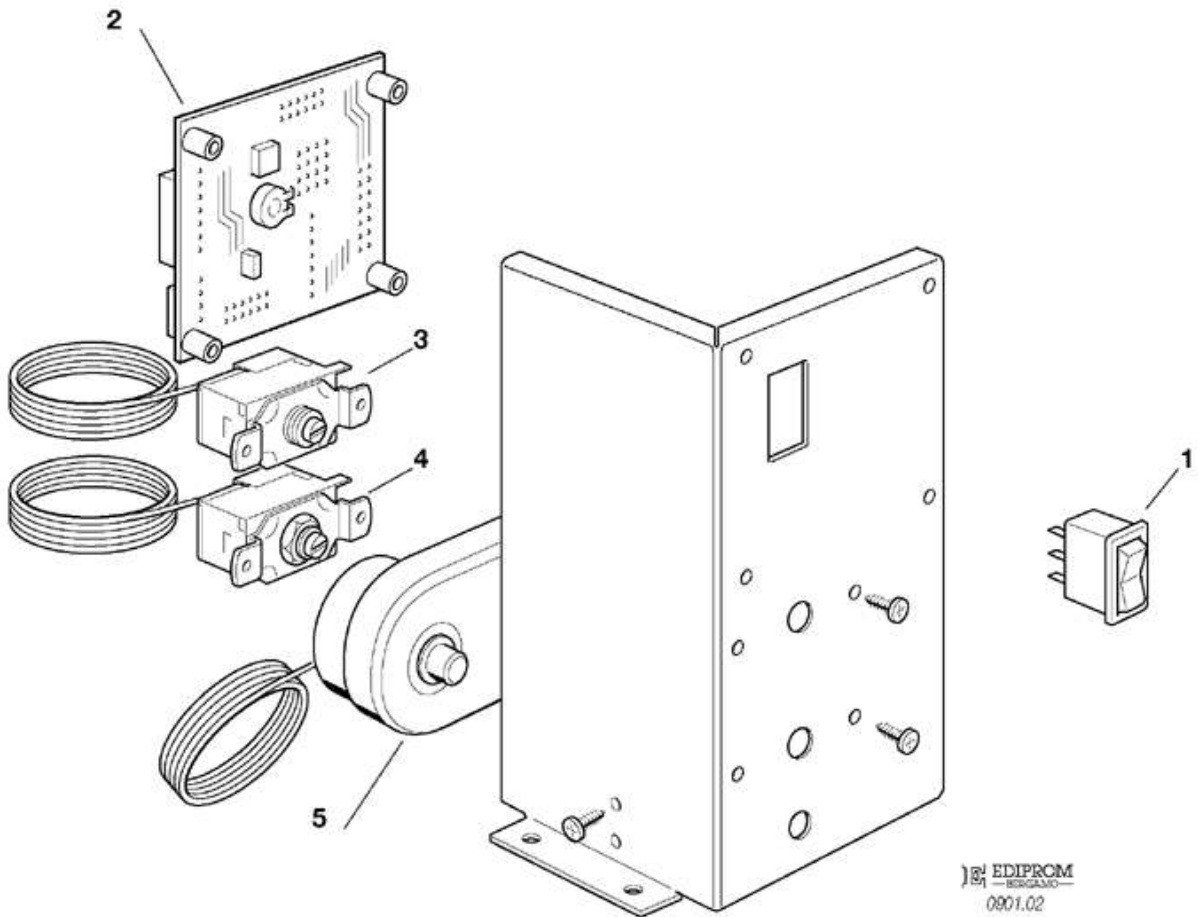


Pos	Code	Description
0001	SC650105 66	WATER INLET VALVE ASSY
0002	SC281900 01	TUBE 16X10
0003	SC793172 00R	WATER INLET ASSY
0004	SC640041 31	O RING OR 2031 (WRAS-FDA)
0005	SC724407 00	PUMP BRACKET
0006	SC620433 08R	WATER PUMP - 230/50/1
0007	SC610150 04	USE SC610150 08
0008	SC650665 23	NO LONGER AVAILABLE
0008	SC650665 24	SPRAY BAR
0009	SC660557 00	SPRAY CUP
0010	SC660558 00R	SPRAY NOZZLE ( PACK OF 10 PCS)
0011	SC650741 00	CUBE DEFLECTOR - LARGE
0011	SC650741 01	USE SC661082 05
0012	SC660224 00	TEE TUBE
0013	SC660535 00	PLASTIC NUT
0014	SC610148 10	TUBE
0015	SC610191 02	TUBE
0016	SC660219 01	BIN DRAIN
0017	SC640134 00	O RING
0018	SC660211 01	DRAIN FILTER
0021	SC650105 74	WATER INLET VALVE



Pos	Code	Description
0001	SC620442 02	SWITCH
0002	SC060769 00	KIT ELECT. TIMER-RETROFIT
0003	SC620201 01	EVAPORATOR THERMOSTAT
0004	SC630005 00	BIN THERMOSTAT
0005	SC620075 00	PRESSOSTAT
0006	SC620442 01	SWITCH
0007	SC620599 00	SAFETY THERMOSTAT





EDIPROM  
BERGAMO  
0901.02

Pos	Code	Description
0001	SC620442 01	SWITCH
0002	SC620507 00	TIMER
0003	SC620201 01	EVAPORATOR THERMOSTAT
0004	SC630005 00	BIN THERMOSTAT
0005	SC620599 00	SAFETY THERMOSTAT

vsezip.ru

7(812)987-08-81