

Зип Общепит

vsezip.ru

Parts Manual

+7(812)987-08-81

Counter Type Electric Convection Steamer



Series: SteamCraft Models 21CET16

1333 East 179th Street
Cleveland, Ohio 44110

Phone: (216) 481-4900
1-800-338-2204

Fax: (216) 481-3782
www.clevelandrange.com

 Cleveland

- NOTES:
1. SEE INSTRUCTION DRAWING 104389 FOR LABEL LOCATIONS.
 2. SEE INSTRUCTION DRAWING 1063572 FOR HOSE LOCATIONS.
 3. KEYHOLE STAPLES (A) ARE PLACED NEXT TO AFFECTED ITEM NO. IN BILL OF MATERIALS ONLY.
 4. FOR STEAM CUT-OFF SWITCH OPTION SEE DRAWING 106386 FOR LOCATION OF HOLES IN FACEPLATE AND DRAWING 106355 FOR PICTORIAL WIRING INFO.

Зип Общепит

sezip.ru

+7(812)987-08-81

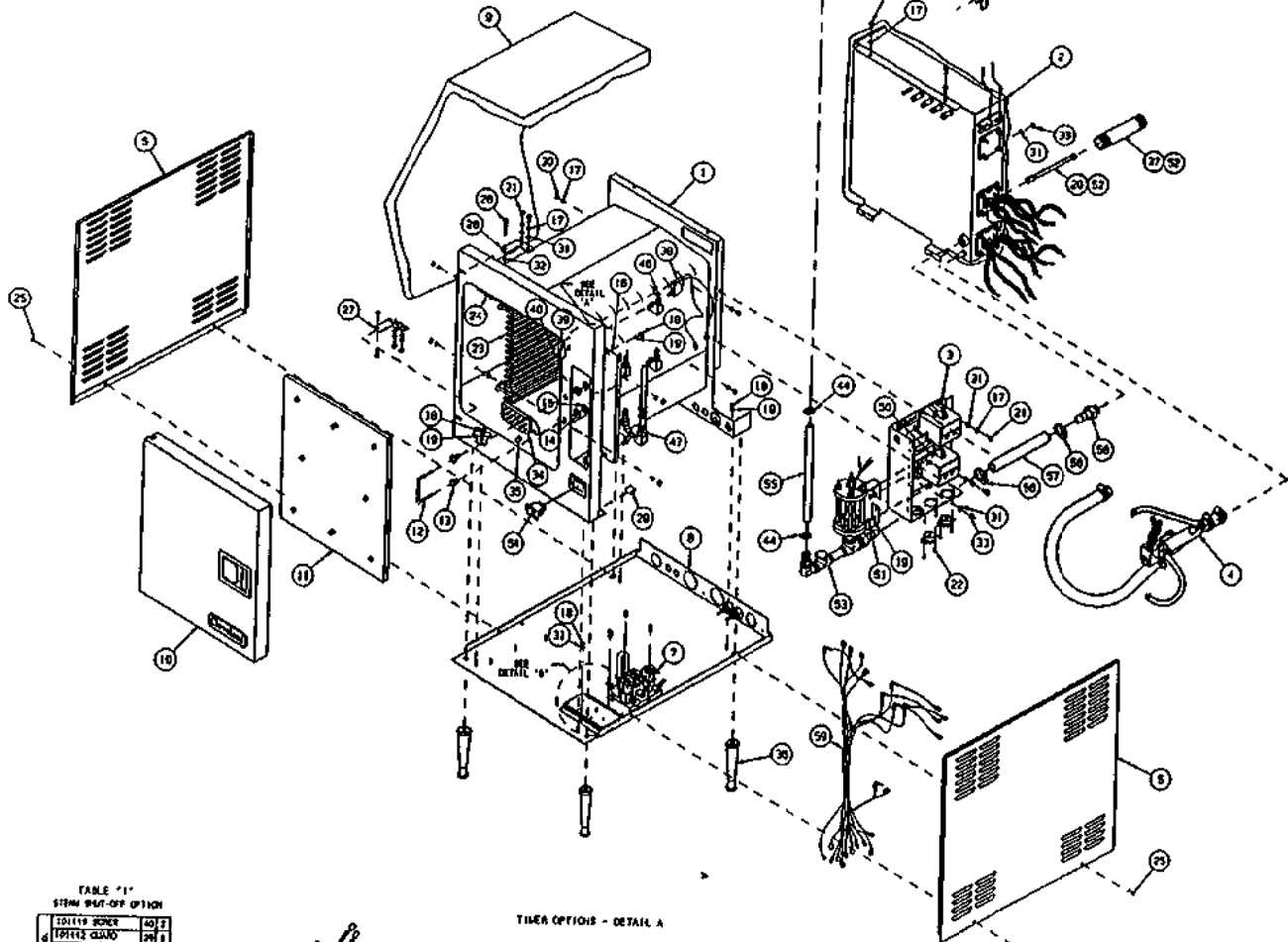
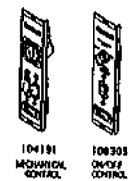
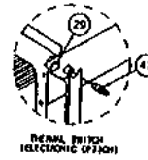


TABLE "1"
STEAM SHUT-OFF OPTION

101119 BONE	40	1
101112 GLASS	24	1
101118 SWITCH	20	1
104202 DUCT-18	11	1
106151 DUCT-CUT	10	1

TIME OPTION - DETAIL A



DETAIL B
ITEM 49

THIS DESIGN DESCRIBES A PROPRIETARY ITEM AND IS THE PROPERTY OF CLEVELAND RANGE. THIS DRAWING IS NOT TO BE COPIED OR USED WITHOUT THE APPROVAL OF CLEVELAND RANGE.

LET. A U

59	-	-
58	1	1
57	1	1
56	2	1
55	1	1
54	1	1
53	1	1
52	A/R	-
51	3	-
50	3	-
49	-	-
48	-	-
47	1	1
46	3	-
45	1	1
44	2	1
43	-	-
42	-	-
41	-	-
40	-	-
39	-	-
38	-	-
37	1	1
36	4	1
35	1	1
34	1	6
33	3	1
32	2	1
31	13	2
30	8	1
29	2	2
28	1	1
27	1	1
26	2	1
25	7	1
24	8	1
23	2	4
22	4	1
21	8	1
20	1	1
19	12	1
18	11	1
17	17	23
16	-	104
15	2	148
14	2	231
13	2	148
12	1	104
11	1	104
10	-	108
9	1	104
8	1	104
7	1	108
6	1	104
5	2	104
4	1	108
3	1	104
2	1	104
1	1	104

DETAIL "B"
DETAIL "A"

SEE TABLE

SEE TABLE

SEE TABLE "1"

ITEM NO. PART

TOLERANCES (EXCEPT AS NOTED)	CLE 1333 E1st
DECIMAL ± N/A	SCALE 7/8"=1"
ANGULAR ± N/A	TITLE STEAM F
CK	DATE 07-13-93

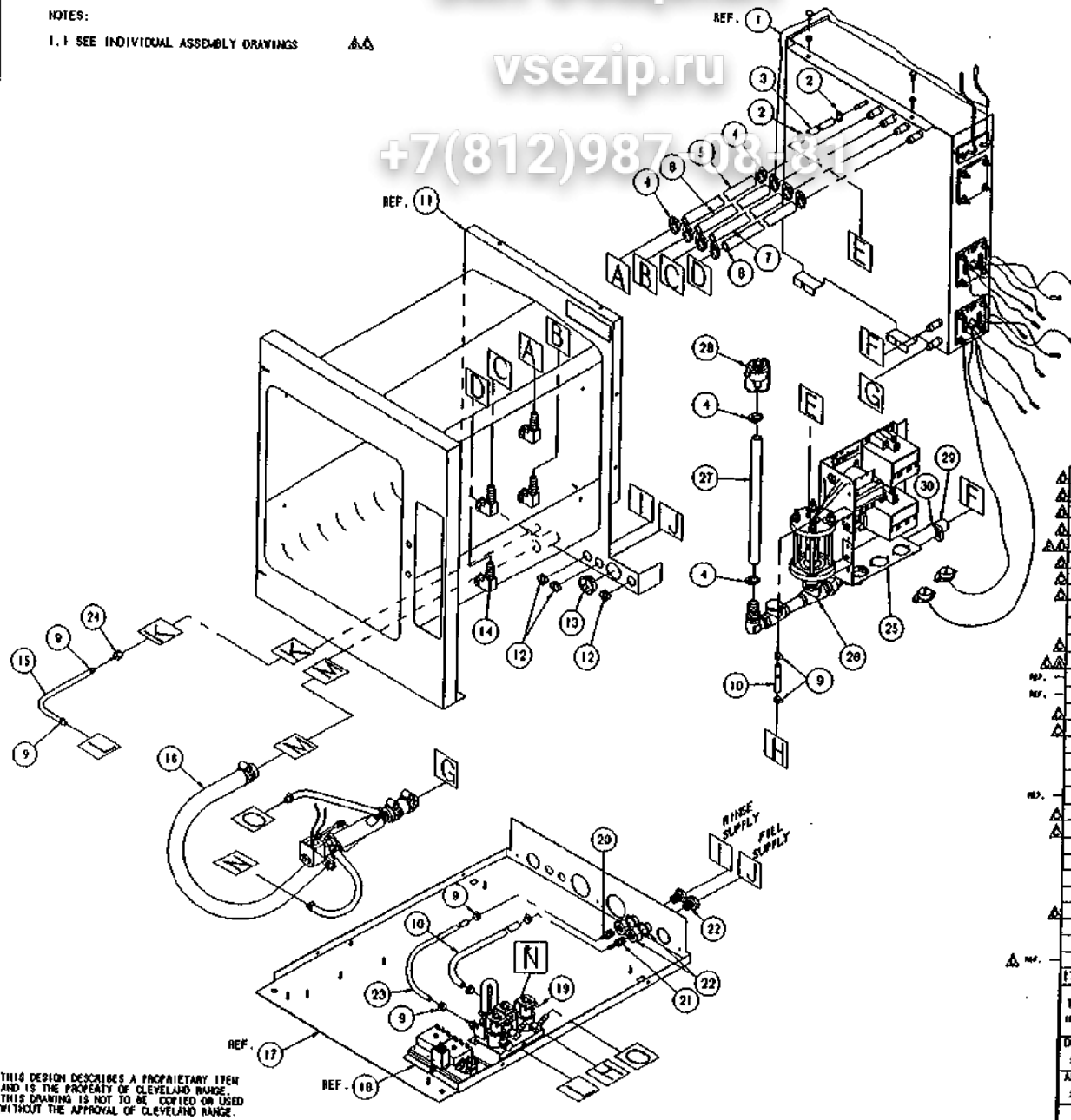
Зип Общепит

vsezip.ru

+7(812)987-08-84

NOTES:

1.1 SEE INDIVIDUAL ASSEMBLY DRAWINGS



THIS DESIGN DESCRIBES A PROPRIETARY ITEM AND IS THE PROPERTY OF CLEVELAND RANGE. THIS DRAWING IS NOT TO BE COPIED OR USED WITHOUT THE APPROVAL OF CLEVELAND RANGE.

LET.	DESCRIPTION
A	REST AND PER
B	ASSEMBLY PER
C	REMOVE AND RE HOSES 104987 106524
D	REVISED 106521 E. 106521 PER E.A.
E	SEE E.A.

ITEM	QTY.	PART NO.	DESCRIPTION
30	2	105847	
29	1	106093100	
28	-	106426	
27	1	1058451200	
26	-	106497	
25	-	104230	
24	1	106862	
23	1	1068842100	
22	2	03641	
21	1	104381	
20	1	106861	
19	1	106522	
18	-	-	
17	-	-	
16	1	106524	
15	1	1068842500	
14	4	1062301	
13	1	102581	
12	3	02800	
11	-	-	
10	2	1058501900	
9	8	106526	
8	1	1058452700	
7	1	1058452000	
6	1	1058452200	
5	1	1058451800	
4	10	105846	
3	1	1058432200	
2	2	104383	
1	-	-	

TOLERANCES (EXCEPT AS NOTED)		CLEVELAND RANGE 1333 East 1	
DECIMAL	± N/A	SCALE	3/16"
ANGULAR	± N/A	TITLE	HK STE
DATE	05-18-93	DRAWN	

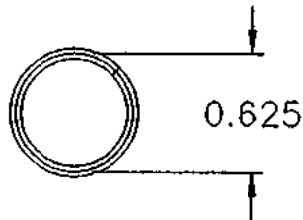
Зип Общепит

vsezip.ru

+7(812)987-08-81

LET.

REVISIONS



APPROVED
 SOURCE: AEROFAST INC.
 CAROL STREAM, ILL
 PN

SPECIFICATIONS: MATERIAL: 304
 THICKNESS: S
 CONSTRUCTION

ITEM	QTY	PART NO.	
TOLERANCES (EXCEPT AS NOTED)		CLEVELAND RANGE 1333 East 179th St. Cleveland, OH 44134	
DECIMAL ± 0.015	SCALE 1=1	DRAWN BY JTW	
ANGULAR $\pm 1'$	TITLE RING, SNAP, 5/8		
AC	DATE 3/12/93	DRAWING NO. A-- 106	

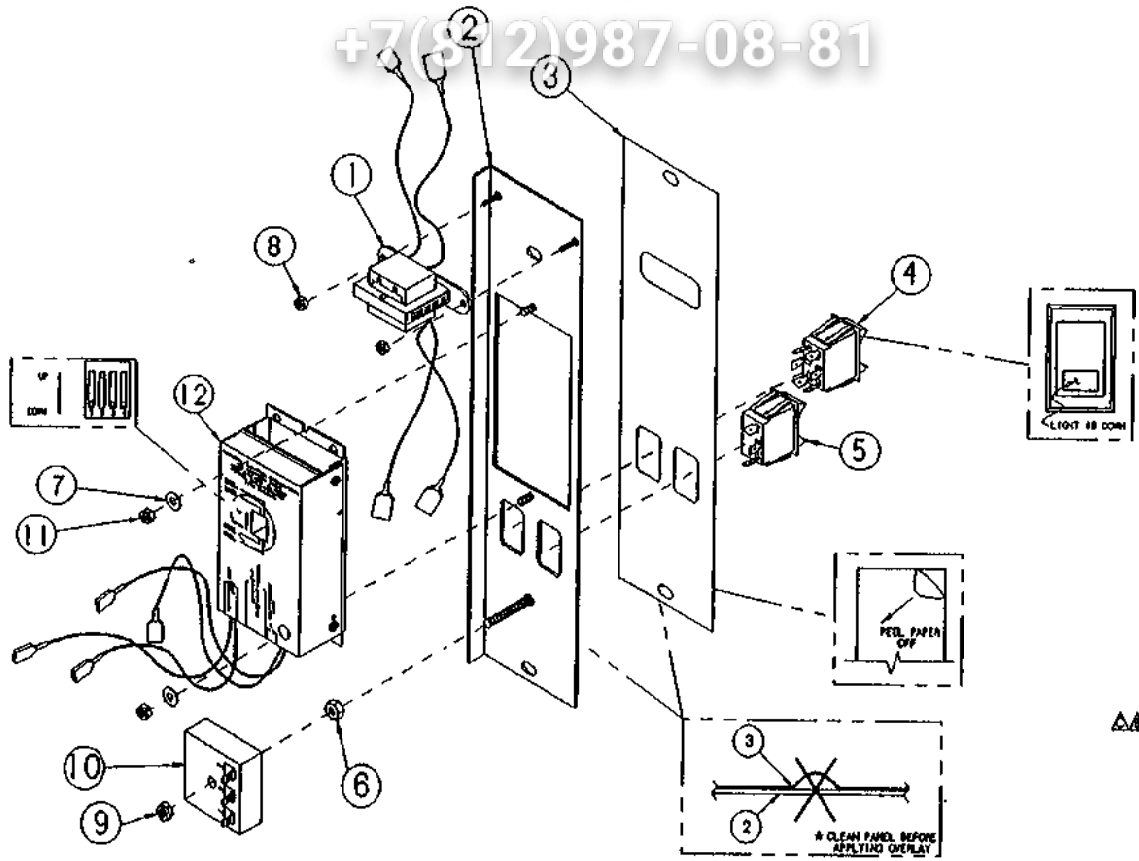
THIS DESIGN DESCRIBES A PROPRIETARY ITEM AND IS THE PROPERTY OF CLEVELAND RANGE.
 THIS DRAWING IS NOT TO BE COPIED OR USED WITHOUT THE APPROVAL OF CLEVELAND RANGE

NOTES:
1. SEE WIRING DIAGRAM 104185 FOR WIRE CONNECTION POINTS.

Зип Общепит

vsezip.ru

+7(812)987-08-81



THIS DESIGN DESCRIBES A PROPRIETARY ITEM AND IS THE PROPERTY OF CLEVELAND RANGE. THIS DRAWING IS NOT TO BE COPIED OR USED WITHOUT THE APPROVAL OF CLEVELAND RANGE.

ITEM	QTY.	PART NO.
13	1	104184
12	1	104389
11	2	14992
10	1	20478
9	1	101873
8	2	104223
7	2	101855
6	1	14817
5	1	104224
4	1	18993
3	1	108801
2	1	104157
1	1	104390

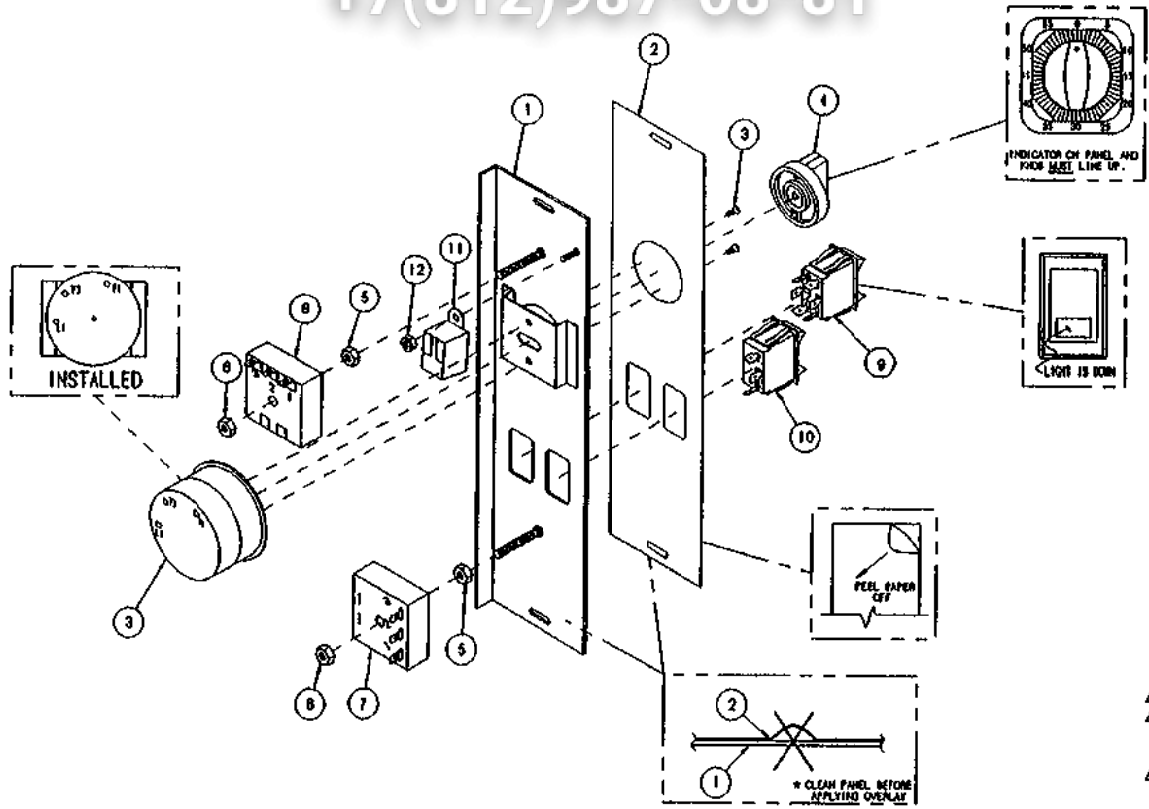
TOLERANCES	(EXCEPT AS NOTED)	1333
DECIMAL	SCALE	1/2
ANGULAR	TITLE	
DATE	09-11-90	

Вип Общежит

vsezip.ru

+7(812)987-08-81

LET.
A
B
C
D



Δ	12	1	14872
Δ	11	1	41350
	10	1	104224
	9	1	19993
Δ	8	1	20478
	7	1	20477
	6	2	161873
	5	2	14817
Δ	4	1	11307
	3	1	20476
Δ	2	1	108603
Δ	1	1	104085
ITEM QTY. PART NO.			
TOLERANCES UNLESS OTHERWISE SPECIFIED			1:100
DECIMAL	FRACTIONAL		SCALE
± N/A	± N/A		1/2
± N/A	± N/A		TITLE
OK	DATE		07-09-90

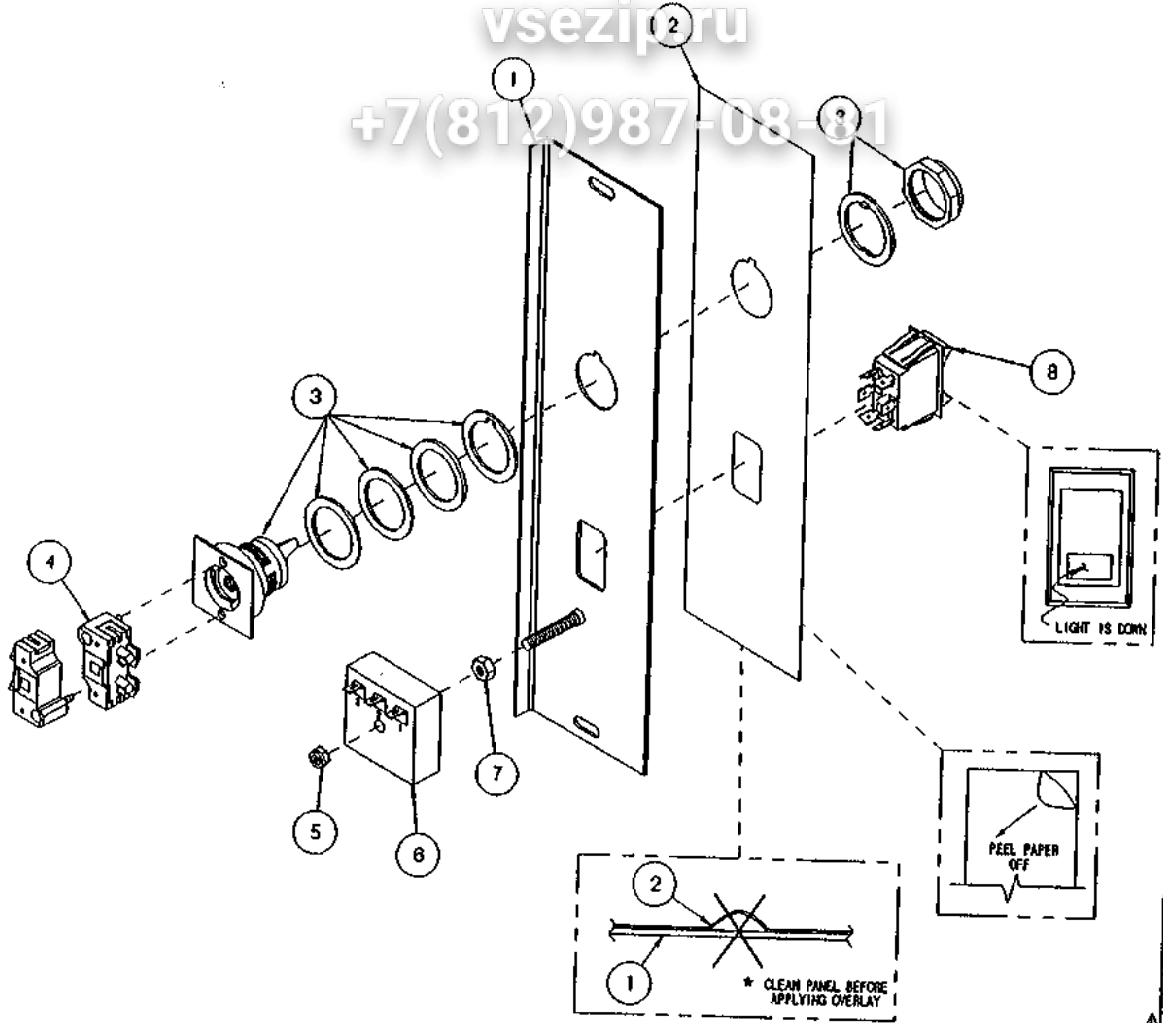
THIS DESIGN DESCRIBES A PROPRIETARY ITEM AND IS THE PROPERTY OF CLEVELAND RANGE. THIS DRAWING IS NOT TO BE COPIED OR USED WITHOUT THE APPROVAL OF CLEVELAND RANGE.

Зип Общепит

vsezip.ru

+7(812)987-08-81

LET.
A



THIS DESIGN DESCRIBES A PROPRIETARY ITEM AND IS THE PROPERTY OF CLEVELAND RANGE. THIS DRAWING IS NOT TO BE COPIED OR USED WITHOUT THE APPROVAL OF CLEVELAND RANGE.

8	1	19993
7	1	14617
6	1	20478
5	1	101879
4	2	102533
3	1	102534
2	1	108805
1	1	108903
ITEM	QTY	PART NO.
TOLERANCES		CL
(UNLESS OTHERWISE SPECIFIED)		1339 Ed
DECIMAL	± .030	SCALE 5/8"=1"
ANGULAR	± 1°	TITLE COB
CK	DATE	01-15-93

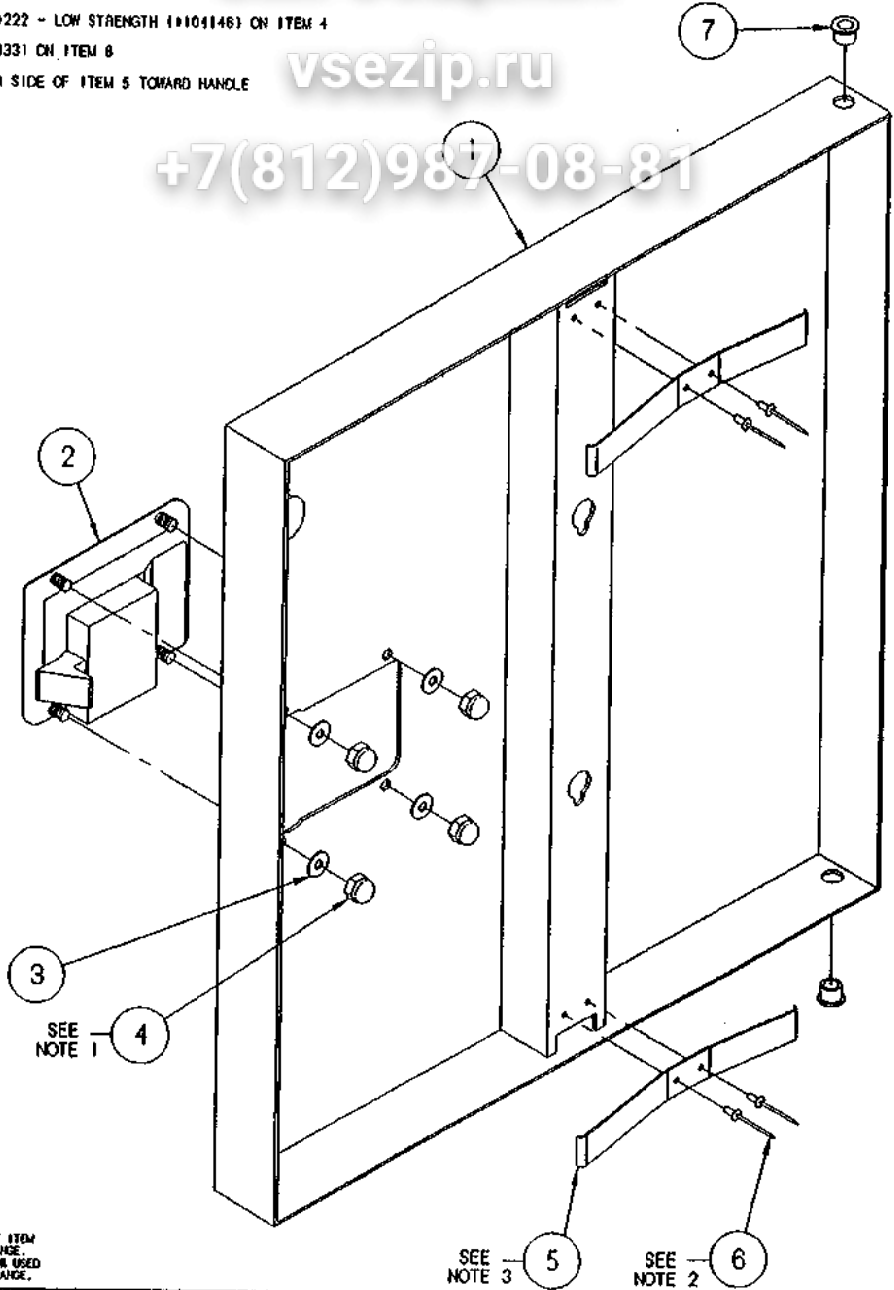
Зип Общепит

vsezip.ru

+7(812)987-08-81

- NOTES : 1.1 USE LOCTITE #222 - LOW STRENGTH (1#104146) ON ITEM 4
 2.1 USE RTV 1#009331 ON ITEM 8
 3.1 ORIENT LONGER SIDE OF ITEM 5 TOWARD HANDLE

LET.
A
B
C



SEE NOTE 1

SEE NOTE 3

SEE NOTE 2

THIS DESIGN DESCRIBES A PROPRIETARY ITEM AND IS THE PROPERTY OF CLEVELAND RANGE. THIS DRAWING IS NOT TO BE COPIED OR USED WITHOUT THE APPROVAL OF CLEVELAND RANGE.

7	2	103841
6	4	18357
5	2	102228
4	4	14878
3	4	101855
2	1	103843
1	1	1042072
ITEM	QTY.	PART NO.
TOLERANCES		
UNLESS OTHERWISE SPECIFIED		1303
DECIMAL		SCALE
1/16"		5/8"=1
ANGULAR		TITLE
1/16"		
DATE	02-04-93	
CK		

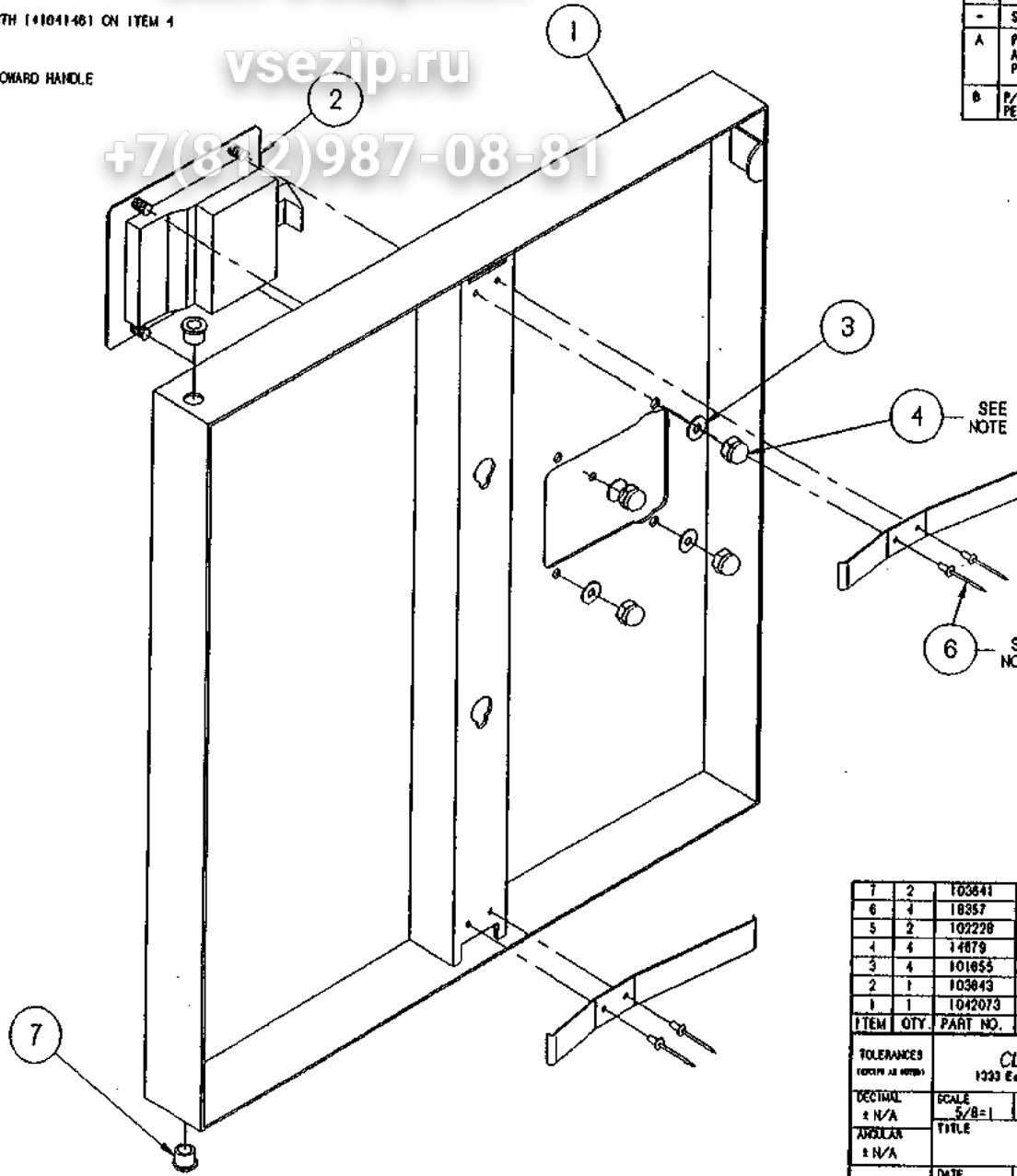
Зип Общепит

vsezip.ru

+7(812)987-08-81

NOTES:

- 1.1 USE LOCKTITE #222 - LOW STRENGTH (#104146) ON ITEM 4
- 2.1 USE RTV (#00933) ON ITEM 6
- 3.1 ORIENT LONGER SIDE OF ITEM 5 TOWARD HANDLE



LET.	S
A	P
B	P/PE

1	2	103641
6	4	18857
5	2	102228
4	4	14679
3	4	101655
2	1	103643
1	1	1042073
ITEM	QTY.	PART NO.
TOLERANCES		CL
(EXCEPT AS NOTED)		1:333 E
DECIMAL	SCALE	5/8=1
± N/A	TITLE	
ANGULAR		
± N/A		
DATE		08-30-03
CK		

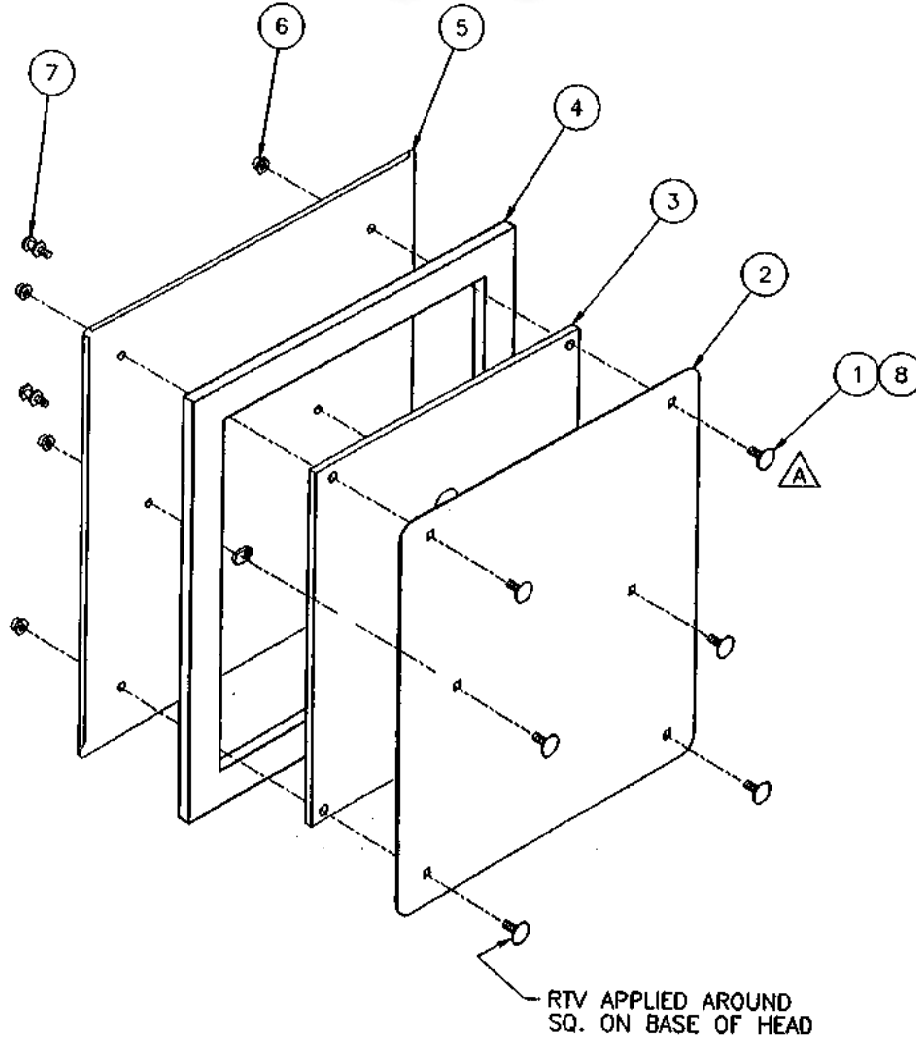
THIS DESIGN DESCRIBES A PROPRIETARY ITEM AND IS THE PROPERTY OF CLEVELAND RANGE. THIS DRAWING IS NOT TO BE COPIED OR USED WITHOUT THE APPROVAL OF CLEVELAND RANGE.

Зип Общепит

vsezip.ru

+7(812)987-08-81

LET.	
A	ADDED ITEMS 1 & 8



A

8	A/R	00932	SEALANT
7	2	66508	STUD,
6	6	14665	NUIT, 1
5	1	104204	DOOR
4	1	104026	GASKE
3	1	104022	PLATE,
2	1	104021	PLATE,
1	6	104719	BOLT,
ITEM	QTY	PART NO.	
TOLERANCES (UNLESS AS NOTED)			CLEV 1333 East
DECIMAL \pm -	SCALE	NONE	DRG
ANGULAR $\pm 1^\circ$	TITLE	DO S	
AC	DATE	6/25/91	DRAT

THIS DESIGN DESCRIBES A PROPRIETARY ITEM AND IS THE PROPERTY OF CLEVELAND RANGE.
THIS DRAWING IS NOT TO BE COPIED OR USED WITHOUT THE APPROVAL OF CLEVELAND RANGE.

Зип Общепит

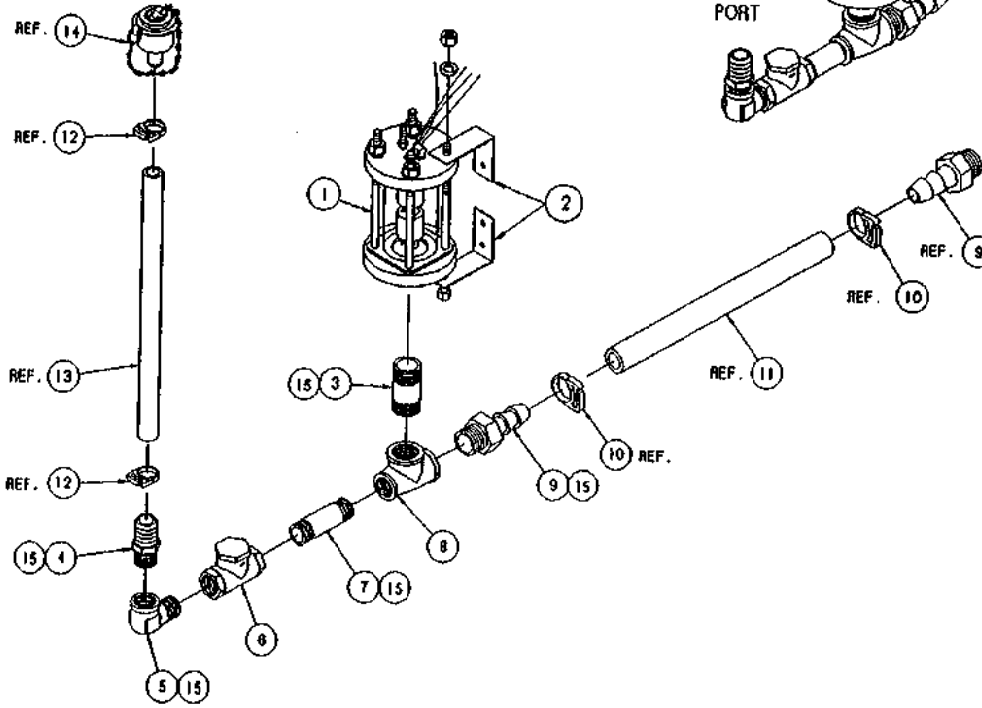
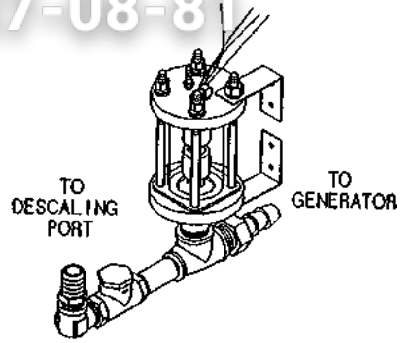
vsezip.ru

47(812)987-08-81

NOTE:

- 1) SEE DRAWING 1083572 FOR HOSE LOCATIONS.
- 2) ITEMS MARKED "REF" ARE INCLUDED IN THIS BILL OF MATERIALS FOR REFERENCE ONLY. THE "ASSEMBLED UNIT" DRAWING DEPICTS THE ACTUAL REQUIRED PARTS FOR THIS ASSEMBLY.

ASSEMBLED UNIT



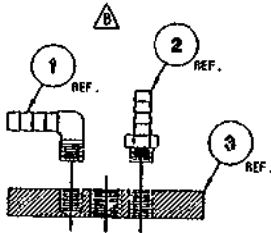
SEE NOTE 2

ITEM	QTY.	PART NO.	DESCRIPTION
15	A/R	00934	SE
14	1	106428	PO
13	1	1058451200	HOS
12	2	105848	CL
11	1	1060931100	HOS
10	2	105847	CL
9	2	08240	FI
8	1	20208	TE
7	1	14331	NIF
6	1	108158	CH
5	1	05259	EL
4	1	08237	FI
3	1	14431	NIF
2	2	106678	BRA
1	1	105877	FLO

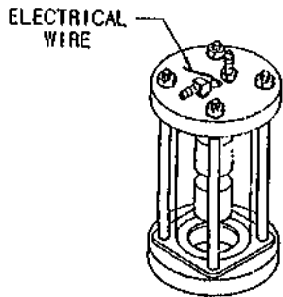
ITEM	QTY.	PART NO.
TOLERANCES (EXCEPT AS NOTED)		
CLEV 1333 E&S (1791)		
DECIMAL	SCALE 1/4"	
± .030		
ANGULAR	TITLE FLOAT STEAM	
± 1°		
CK	DATE	DR
	04-15-93	

THIS DESIGN DESCRIBES A PROPRIETARY ITEM AND IS THE PROPERTY OF CLEVELAND RANGE. THIS DRAWING IS NOT TO BE COPIED OR USED WITHOUT THE APPROVAL OF CLEVELAND RANGE.

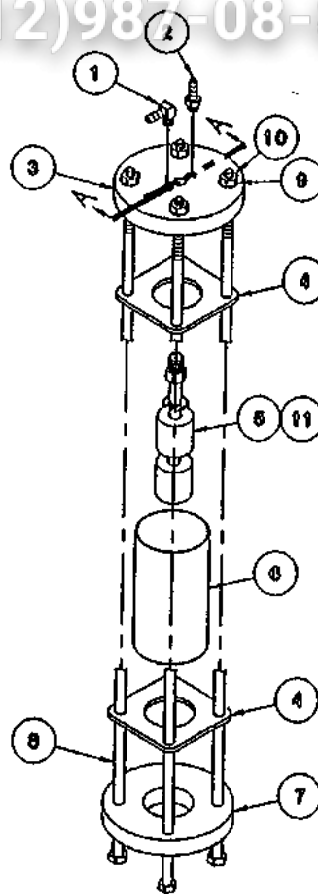
LET.	REVISION
A	CORRECTED P...
B	ROTATED 90° & 104380 PER...
C	THIS ASSEMBLY P/N 104091 ON 5.1 ELECT. & PER EO #C-22...



DETAIL A-A
SCALE: 1/2=1



ASSEMBLED VIEW
SCALE: 1/4=1



EXPLODED ASSEMBLY
SCALE: 1/4=1

REFERENCE:
260AHM 5 OF 5

ITEM	QTY.	PART NO.	DESCRIPTION
11	A/R	00934	SEALAN...
10	4	14616	NUT, H...
9	4	23105	WASHER
8	4	104278	SCREW,
7	1	104040	CAP, F...
6	1	1040190388	TUBE, 1...
5	1	103728	SWITCH
4	2	104041	GASKET
3	1	104039	TOP, F...
2	1	104380	FITTING
1	1	105787	FITTING

ITEM	QTY.	PART NO.	DESCRIPTION
TOLERANCES (EXCEPT AS NOTED)			CLEVELAND RANGE 1333 East 179th St.
DECIMAL	± N/A	SCALE AS SHOWN	DRAWN S. M.
ANGULAR	± N/A	TITLE	FLOAT ASSEMBLY 10 ELECT...
CK	DATE	05-28-92	DRAWING

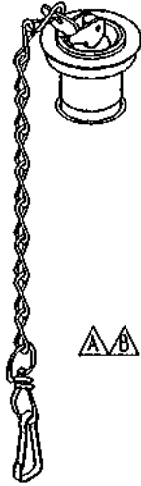
THIS DESIGN DESCRIBES A PROPRIETARY ITEM AND IS THE PROPERTY OF CLEVELAND RANGE. THIS DRAWING IS NOT TO BE COPIED OR USED WITHOUT THE APPROVAL OF CLEVELAND RANGE.

Зип Общепит

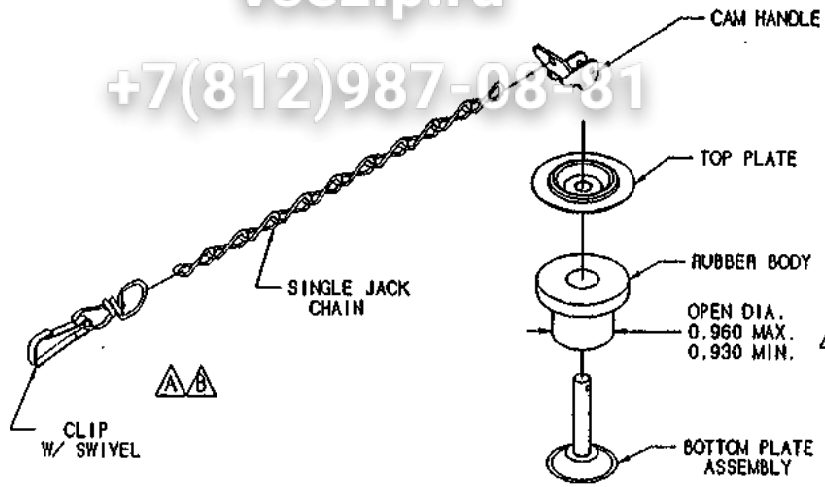
vsezip.ru

+7(812)987-0831

LET.	
A	CL. PER
B	VEN. CL. PER



ASSEMBLED VIEW



EXPLODED VIEW

SPECIFICATION

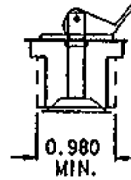
PLUG ASSEMBLY

1. CAM HANDLE
2. TOP PLATE
3. RUBBER BODY
4. BOTTOM PLATE ASSEMBLY

5. CHAIN - S
- N
- 3
- 5
6. CLIP W/ SWIVEL

VENDOR : SHAW AERO DEVELOPMENT
P.O. BOX 8657
NAPLES, FLORIDA 33941

VENDOR P/N : 55960



COMPRESSED RUBBER BODY

THIS DESIGN DESCRIBES A PROPRIETARY ITEM AND IS THE PROPERTY OF CLEVELAND RANGE. THIS DRAWING IS NOT TO BE COPIED OR USED WITHOUT THE APPROVAL OF CLEVELAND RANGE.

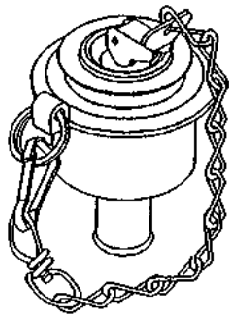
ITEM	QTY.	PART NO.
TOLERANCES		CL
UNLESS OTHERWISE SPECIFIED		1933 Ed.
DECIMAL	± .030	SCALE 1 : 1
ANGULAR	± 1°	TITLE
CK		DATE 01-22-93

Зип Общепит

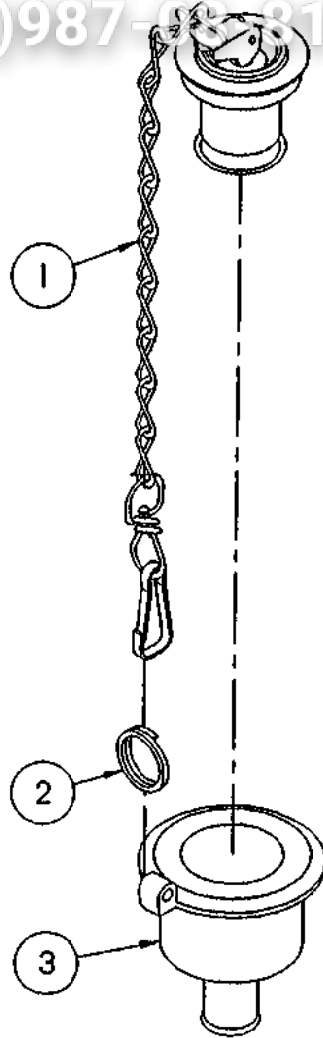
vsezip.ru

+7(812)987-03-81

LET.	R
A	PICTORIAL PER E.O.



ASSEMBLED VIEW



THIS DESIGN DESCRIBES A PROPRIETARY ITEM
AND IS THE PROPERTY OF CLEVELAND RANGE.
THIS DRAWING IS NOT TO BE COPIED OR USED
WITHOUT THE APPROVAL OF CLEVELAND RANGE.

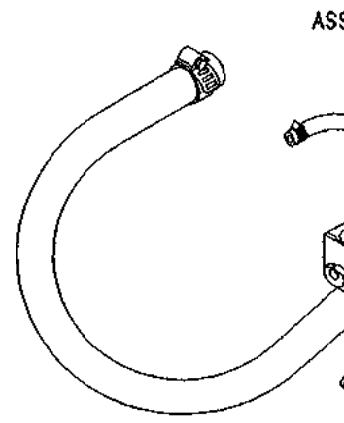
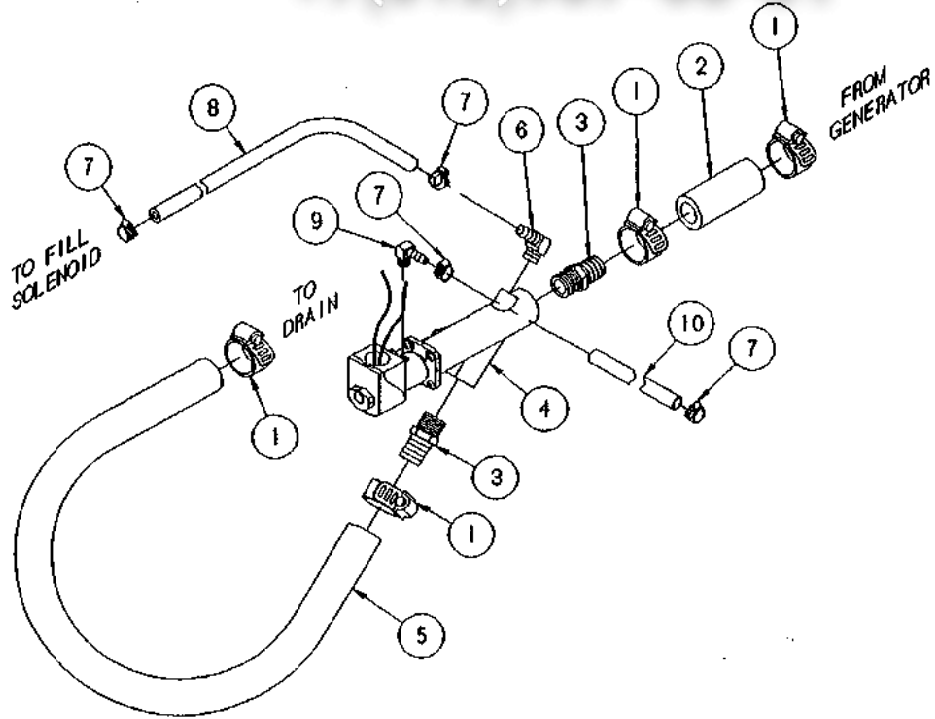
3	1	106104	
2	1	106429	
1	1	106160	
ITEM	QTY.	PART NO.	
TOLERANCES (EXCEPT AS NOTED)		CLE 1333 East 179	
DECIMAL	± .030	SCALE	1"=1"
ANGULAR	± N/A	TITLE	P
CK		DATE	03-18-93

Зип ОщепИТ

vsezip.ru

+7(812)987-08-81

LET.

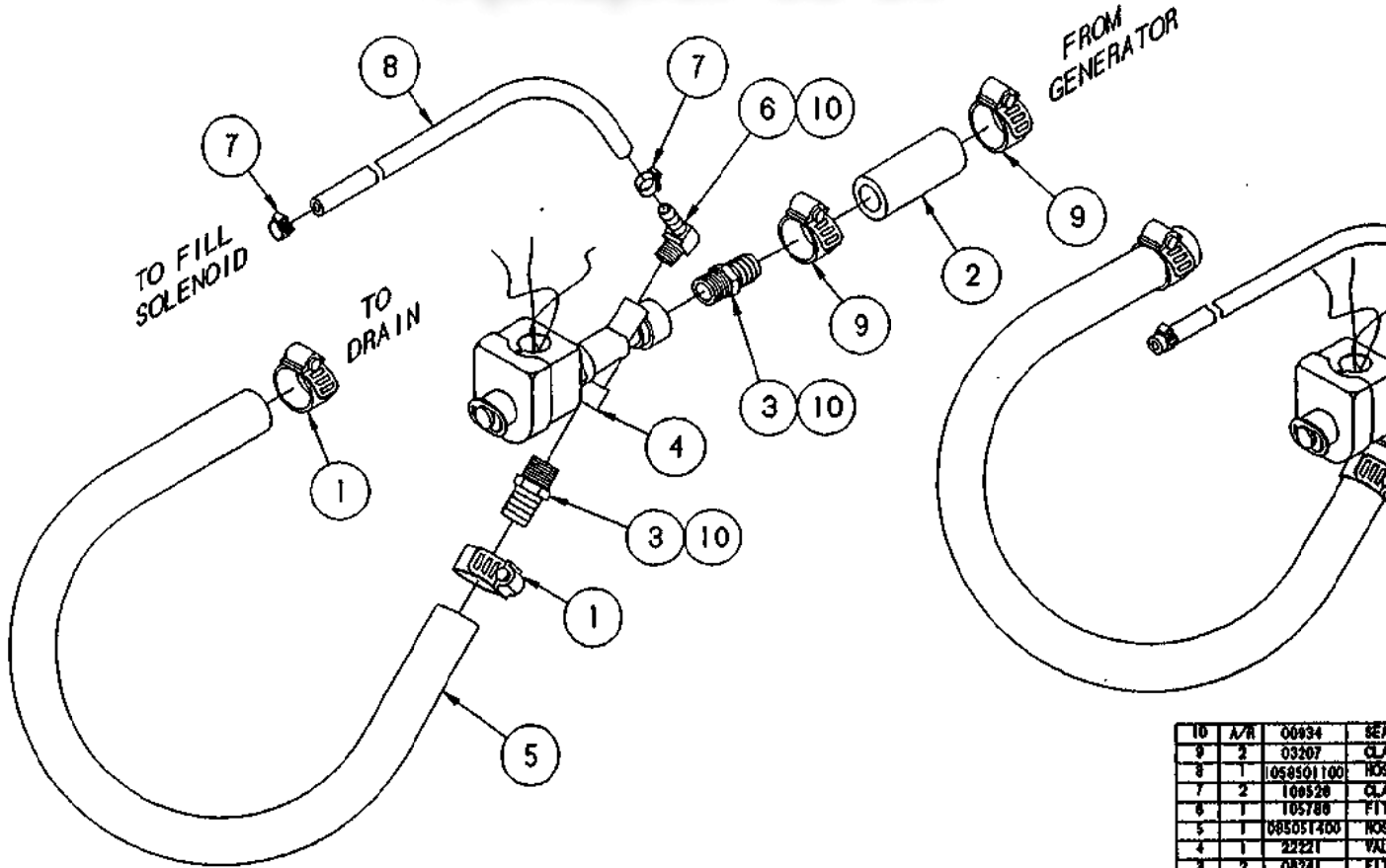


THIS DESIGN DESCRIBES A PROPRIETARY ITEM AND IS THE PROPERTY OF CLEVELAND RANGE. THIS DRAWING IS NOT TO BE COPIED OR USED WITHOUT THE APPROVAL OF CLEVELAND RANGE.

10	1	10585006
9	1	105781
8	1	10585005
7	4	108211
6	1	105781
5	1	0850514
4	1	22244
3	2	08210
2	1	0850503
1	4	03207
ITEM	QTY.	PART NO.
TOLERANCES		132
(EXCEPT AS NOTED)		
DECIMAL	± N/A	SCALE 3/8"=1"
ANGULAR	± N/A	TITLE
CK		DATE 05-12-0

NOTE: 1) Rotate solenoid valve 45° clockwise for left hinging units. Rotate solenoid valve 45° counter-clockwise for right hinging units.

17(812)987-08-81

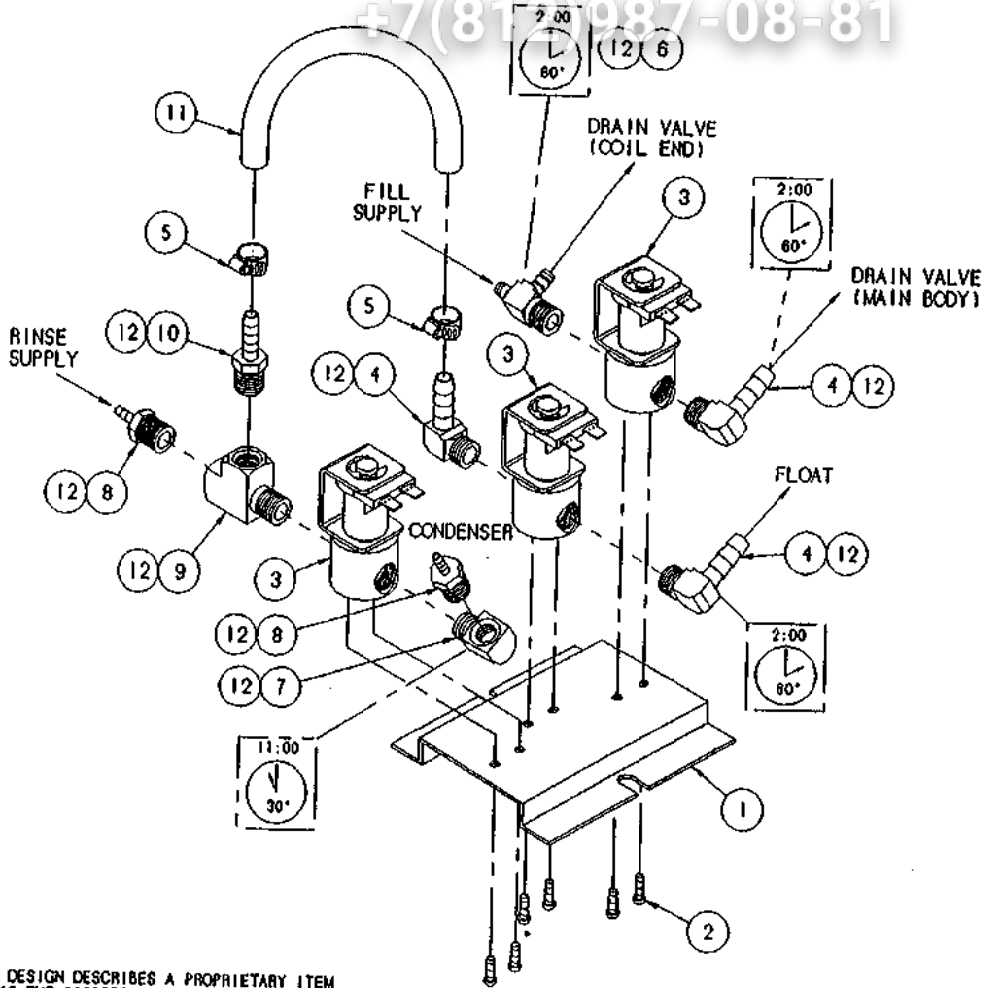


ID	A/R	00634	SE
9	2	03207	CL
8	1	058501100	HO
7	2	106528	CL
6	1	105788	FI
5	1	085051400	HO
4	1	22221	VAL
3	2	08241	FI
2	1	085110300	HO
1	2	03204	CL
ITEM		QTY.	PART NO.

TOLERANCES		CLEVE	
UNLESS OTHERWISE SPECIFIED		1993 Ed. 1.7	
DECIMAL	SCALE	DRAWN	
± N/A	1/2"=1"	VALV	
ANGULAR	TITLE	STEA	
± N/A			
CK	DATE	DRAWN	
	02-12-93		

THIS DESIGN DESCRIBES A PROPRIETARY ITEM AND IS THE PROPERTY OF CLEVELAND RANGE. THIS DRAWING IS NOT TO BE COPIED OR USED WITHOUT THE APPROVAL OF CLEVELAND RANGE.

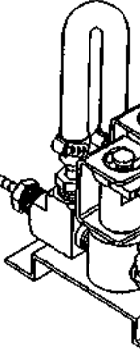
NOTE:
1. USE THREAD JOINT COMPOUND
AS REQUIRED TO SEAL.



THIS DESIGN DESCRIBES A PROPRIETARY ITEM
AND IS THE PROPERTY OF CLEVELAND RANGE.
THIS DRAWING IS NOT TO BE COPIED OR USED
WITHOUT THE APPROVAL OF CLEVELAND RANGE.

LET.

A 106522
106526
ADDED M
LAYOUT



SEE
NOTE 1

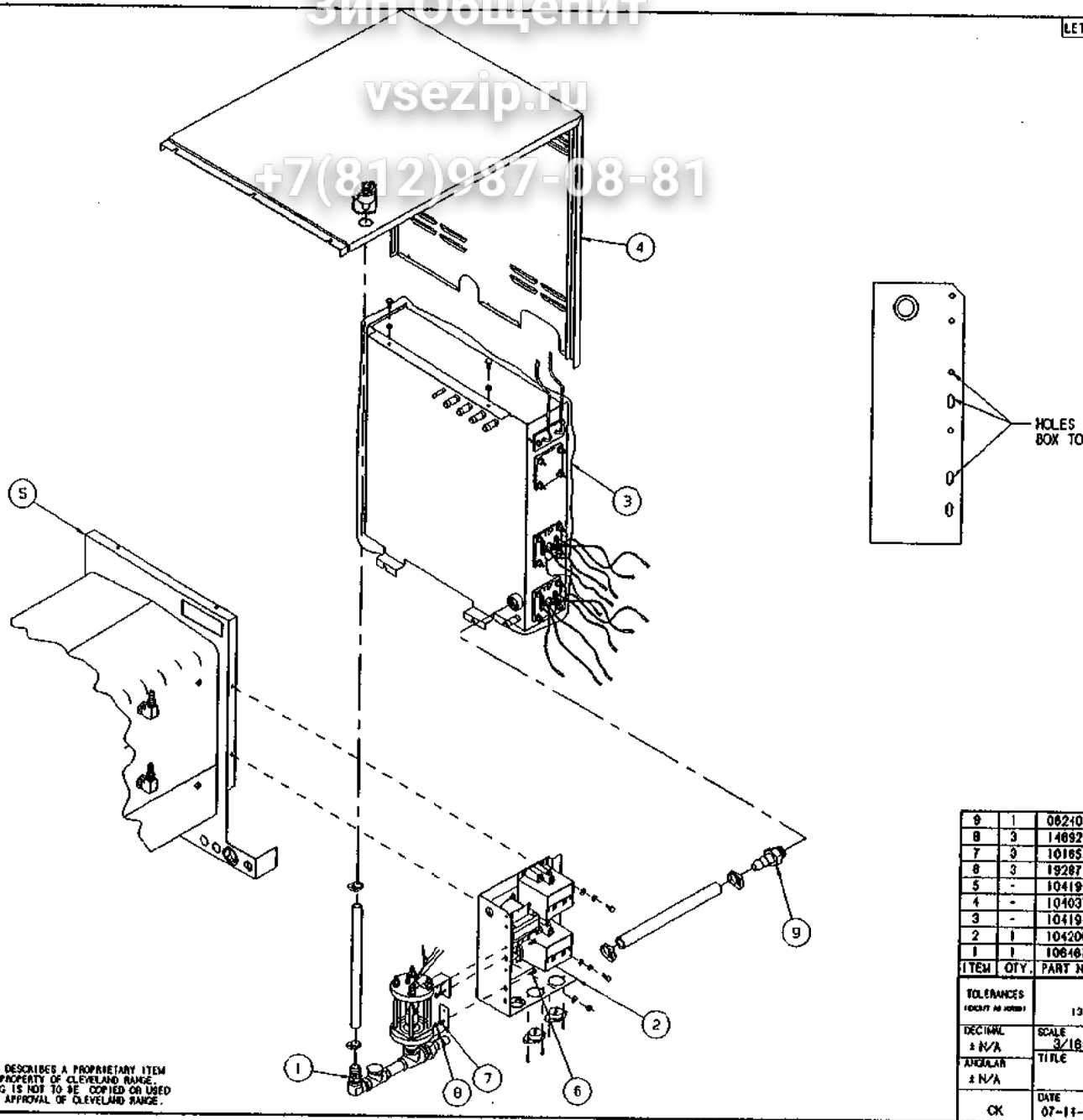
ITEM	QTY.	PART NO.
12	A/R	00934
11	1	1058500600
10	1	104381
9	1	106663
8	2	106661
7	1	05235
6	1	106588
5	2	106526
4	3	105786
3	3	22218
2	6	101872
1	1	104284
TOLERANCES (EXCEPT AS NOTED)		CLE 1333 Excl 179
DECIMAL	± N/A	SCALE 1/2" = 1"
ANGULAR	± 1°	TITLE VA
CK	DATE	08-24-93

Зип Общепит

vsezip.ru

+7(812)987-08-81

LET

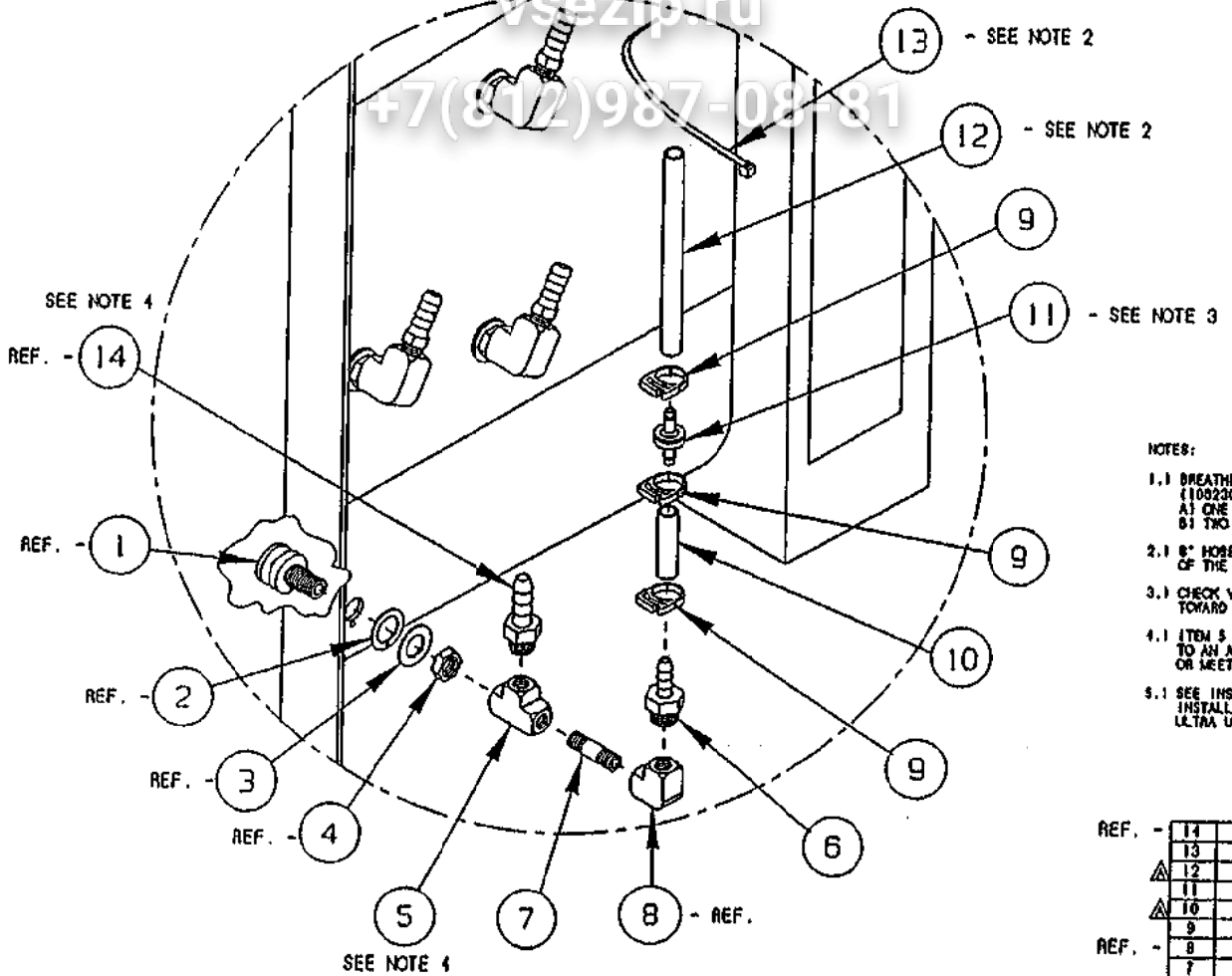


THIS DESIGN DESCRIBES A PROPRIETARY ITEM AND IS THE PROPERTY OF CLEVELAND RANGE. THIS DRAWING IS NOT TO BE COPIED OR USED WITHOUT THE APPROVAL OF CLEVELAND RANGE.

Зип Общепит

vsezip.ru

+7(812)987-08-81



NOTES:

- 1.) BREATHER ASSY. 1107059 (1082301) ONE PLACE PER A) ONE COMPARTMENT UNIT B) TWO COMPARTMENT UNIT
- 2.) 8" HOSE IS TO BE SECURED AT THE SPRAY NOZZLE AS SHOWN
- 3.) CHECK VALVE - SIDE WITH TOWARD HOSE BARB
- 4.) ITEM 5 (P/N 20199) AND ITEM 6 TO AN ANGLE THAT WILL MEET A TIGHT HOSE CONNECTION
- 5.) SEE INSTRUCTIONAL DRAWING FOR INSTALLATION OF THIS ASSEMBLY ON ULTRA UNITS.

REF.	ITEM	QTY.	PART NO.
REF.	14	-	104018
	13	1	20451
△	12	1	1043790500
	11	1	107032
△	10	1	1043790300
	9	3	104383
REF.	8	-	05236
	7	1	14411
	6	1	104381
	5	1	20199
	4	-	104081
	3	-	104232
REF.	2	-	104082
	1	-	104009

TOLERANCES (UNLESS SHOWN OTHERWISE)		CL
DECIMAL	± N/A	SCALE 3/16" = 1"
ANGULAR	± N/A	TITLE BREATHING
CX	DATE	09-15-94

THIS DESIGN DESCRIBES A PROPRIETARY ITEM AND IS THE PROPERTY OF CLEVELAND RANGE. THIS DESIGN IS NOT TO BE COPIED OR USED WITHOUT THE APPROVAL OF CLEVELAND RANGE.

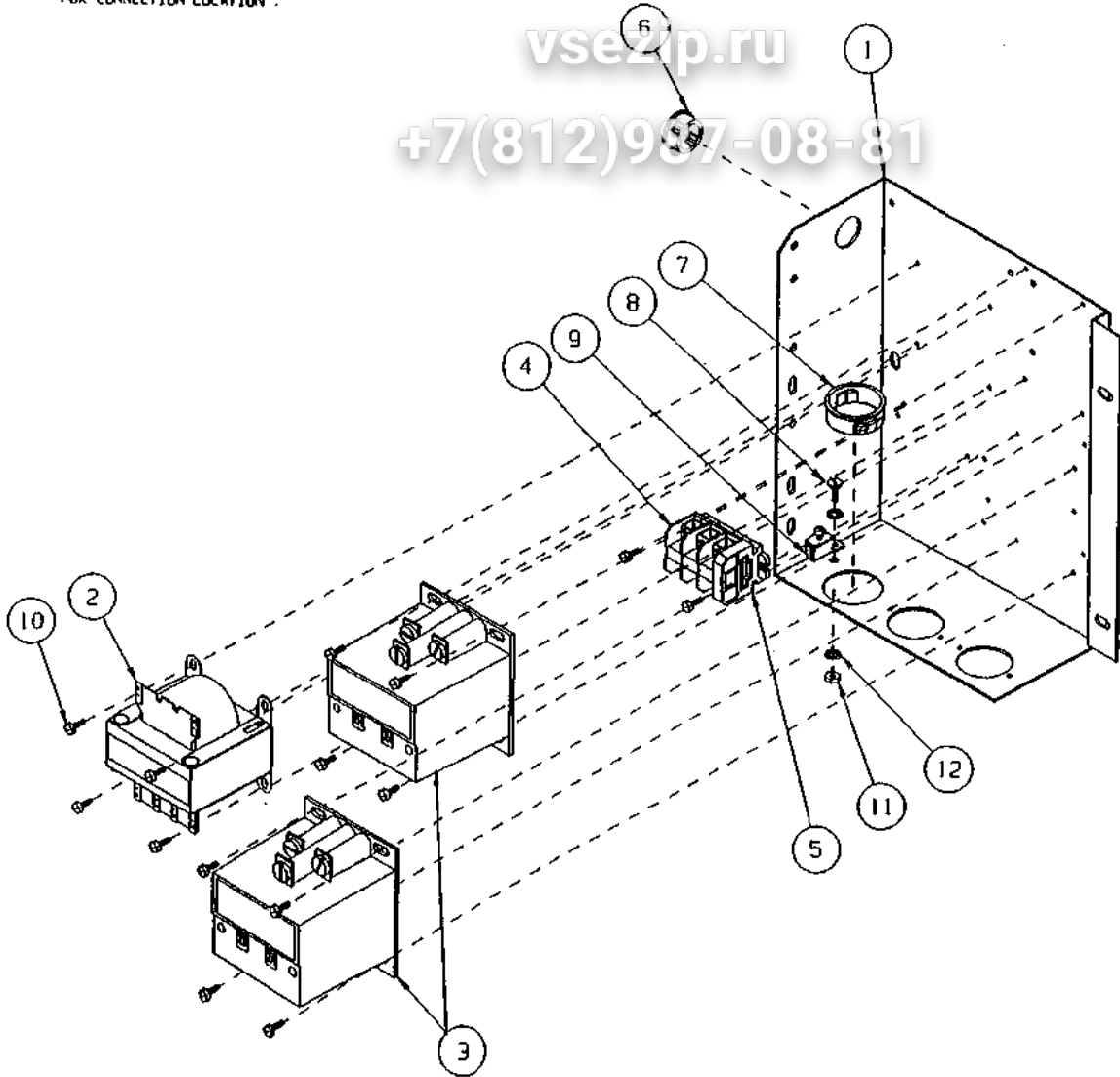
NOTES :

1. SEE WIRING DIAGRAM 104247 DR 104240 FOR CONNECTION LOCATION .

Зип Общепит

vsezip.ru

+7(812)987-08-81



SEE NOTE 1

16	2
15	3
12	2
11	1
10	14
9	1
8	1
7	1
6	1
5	1
4	3
3	2
2	1
1	1

ITEM	QTY.	PART
TOLERANCES		
UNLESS OTHERWISE SPECIFIED		
DECIMAL	±	N/A
ANGULAR	±	N/A
CK		OB

THIS DESIGN DESCRIBES A PROPRIETARY ITEM AND IS THE PROPERTY OF CLEVELAND RANGE. THIS DRAWING IS NOT TO BE COPIED OR USED WITHOUT THE APPROVAL OF CLEVELAND RANGE.

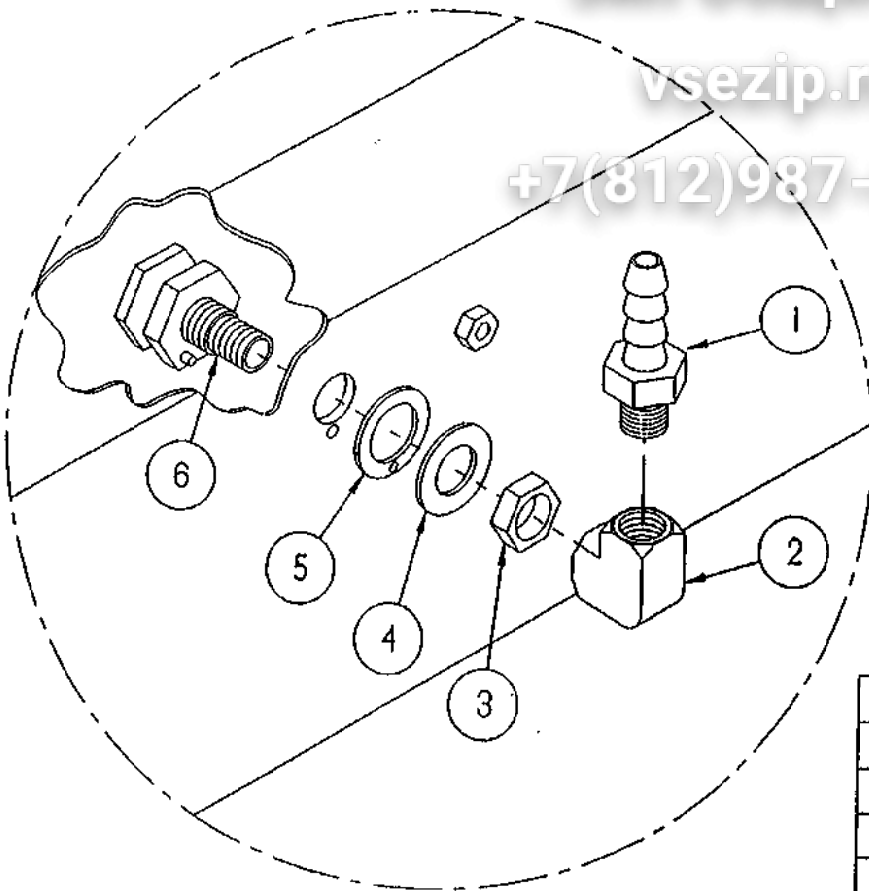
Зип Общежит

vsezip.ru

+7(812)987-08-81

LET.

REVISIONS



TYPICAL APPLICATION

ITEM	QTY.	PART NO.	DESCRIPTION
6	1	104009	FITTING, ASSY
5	1	104082	GASKET, STEAM
4	1	104232	WASHER, FLAT
3	1	104081	NUT, JAM 5/8"
2	1	05236	ELBOW, 1/4"
1	1	104048	FITTING, HOSE

TOLERANCES
(EXCEPT AS NOTED)

CLEVELAND RANGE
1333 East 179th St. Cleveland

DECIMAL
± .030

SCALE
1/2"

DRAWN BY
DUTCHMAN

ANGULAR
± 1°

TITLE
SPRAY NOZZLE ASSEMBLY
STEAMCRAFT 3.1, 5.1

JK

DATE
02-12-93

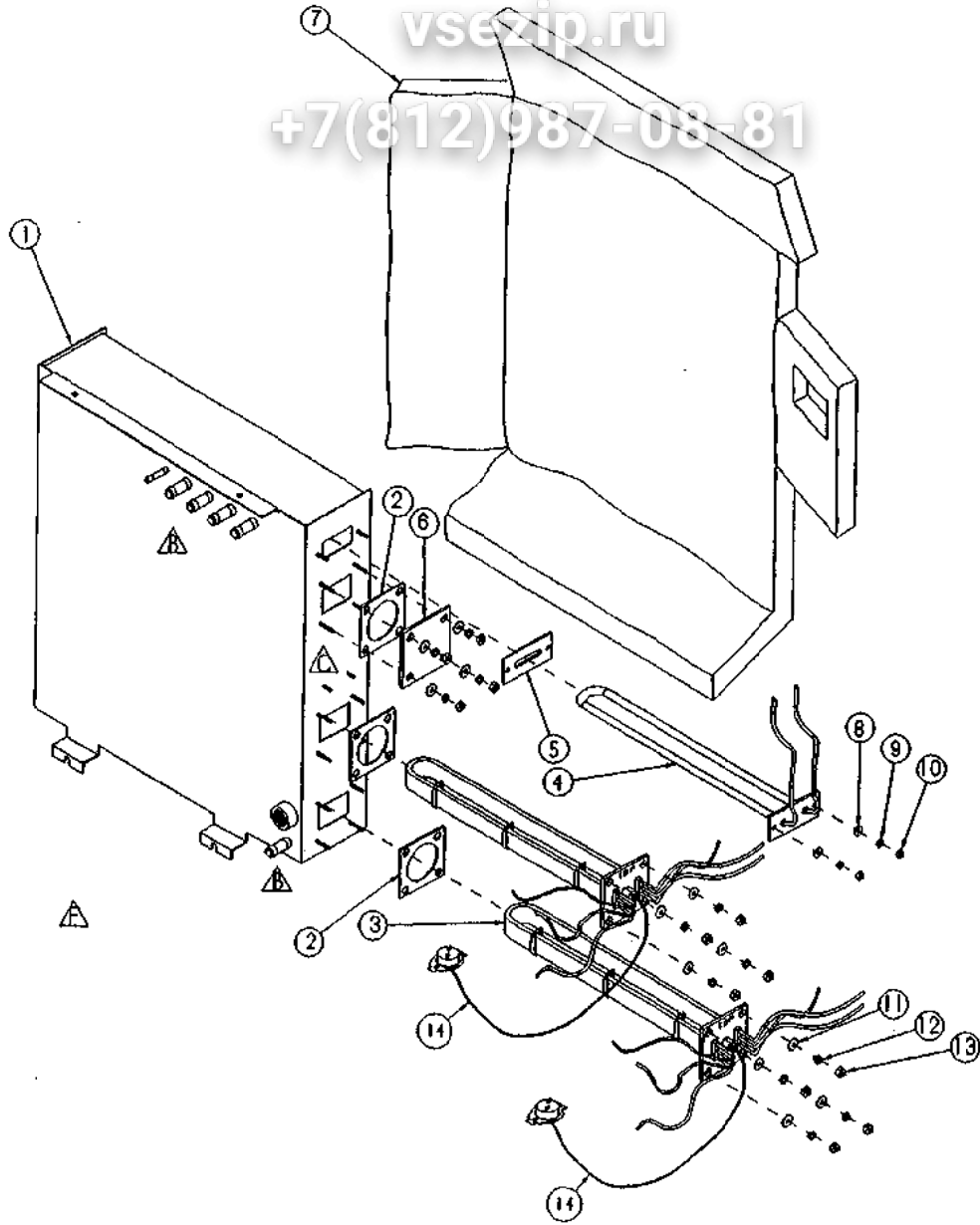
DRAWING NO.
A - 1

THIS DESIGN DESCRIBES A PROPRIETARY ITEM AND IS THE PROPERTY OF CLEVELAND RANGE. THIS DRAWING IS NOT TO BE COPIED OR USED WITHOUT THE APPROVAL OF CLEVELAND RANGE.

Зип Общепит

vsezip.ru

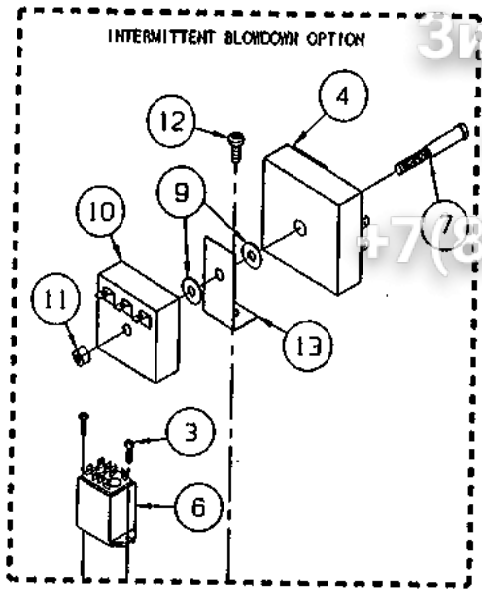
+7(812)987-08-81



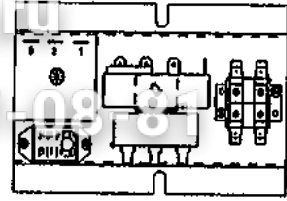
THIS DRAWING DESCRIBES A PROPRIETARY ITEM
AND IS THE PROPERTY OF CLEVELAND BAZEL.
THIS DRAWING IS NOT TO BE COPIED OR USED
WITHOUT THE APPROVAL OF CLEVELAND BAZEL.

14	
13	
12	
11	
10	
9	
8	
7	
6	
5	
4	
3	
2	
1	
NO.	C
TOLERANCES UNLESS OTHERWISE SPECIFIED	
DECIMAL	N/A
FRACTIONAL	N/A
OTHER	
CK	

LET.	REVISION
A	REVISED
B	REDRAWN
C	ADDED
D	P/N 106
E	ADDED LIGHT FROM B
F	ROTATED PER E.C.

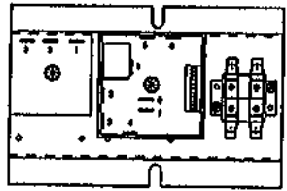
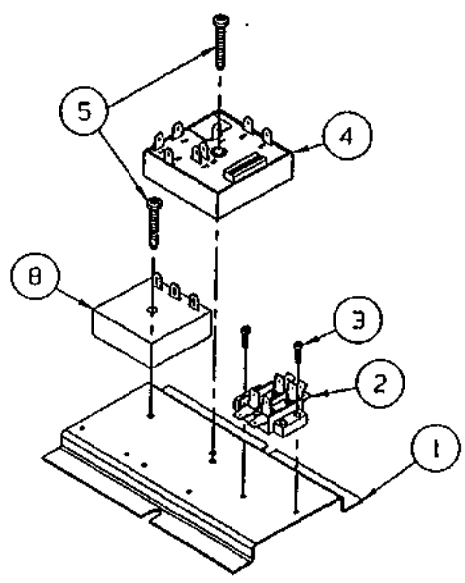
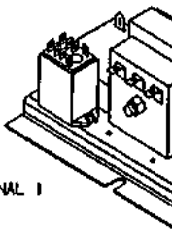


Зип Общепит
vsezip.ru
+7(812)987-0884



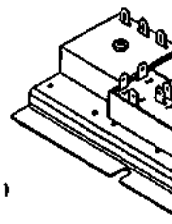
106433

INTERMITTENT BLOWDOWN (OPTIONAL)



1064331

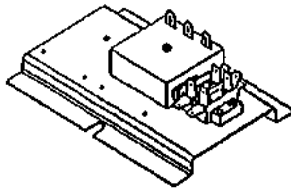
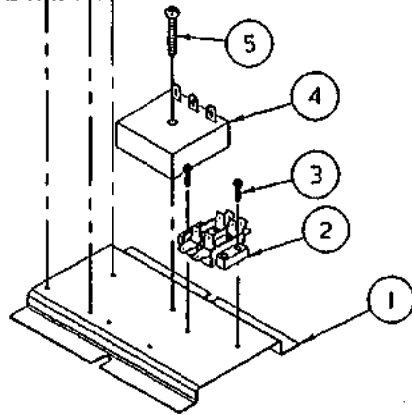
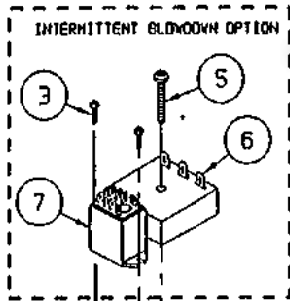
HEAT STANDBY (STANDARD)



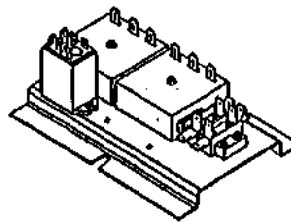
ITEM	QTY.	PART NO.	DESCRIPTION
13	-	105955	BRACKET
12	-	108123	SCREW, T
11	-	14618	NUT, HEX
10	-	108541	TIMER, I
9	-	23116	WASHER,
8	1	108247	INTERVAL
7	-	108118	BOLT, 1/4
6	-	105968	RELAY, I
5	2	108124	SCREW, T
4	1	108911	TIMER, C
3	2	108127	SCREW, T
2	1	44168	TERMINAL
1	1	108308	BRACKET,

THIS DESIGN DESCRIBES A PROPRIETARY ITEM AND IS THE PROPERTY OF CLEVELAND RANGE. THIS DRAWING IS NOT TO BE COPIED OR USED WITHOUT THE APPROVAL OF CLEVELAND RANGE.

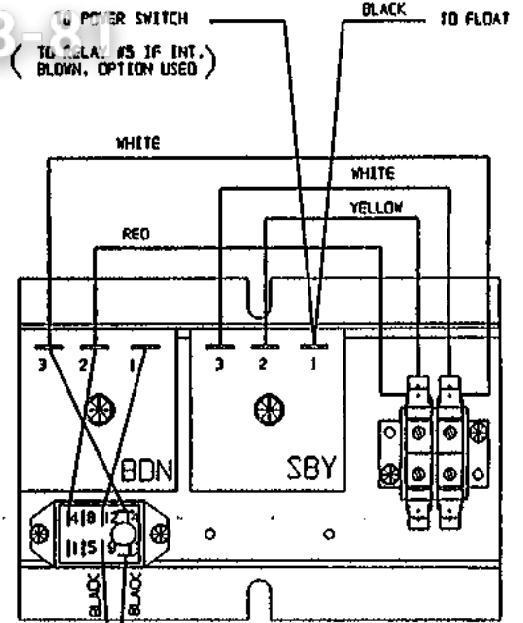
TOLERANCES UNLESS OTHERWISE SPECIFIED		CLEVELAND RANGE	
DECIMAL	SCALE	DATE	DRAWN
± N/A	1/2"=1"	03-18-93	CK
ANGULAR	TITLE		
± N/A			



HEAT STANDBY (STANDARD)



INTERMITTENT BLOWDOWN (OPTIONAL)



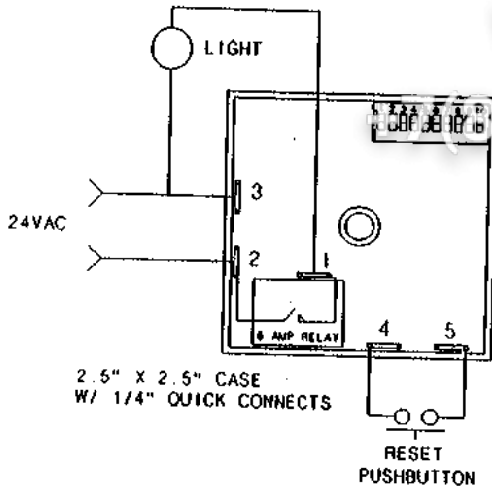
BLACK BELL TERMINAL (P/N 100846) TO POWER SWITCH

NOTE:
STANDBY TIMER WIRES TO STRAIGHT TABS ON TERMINAL
INTERMITTENT TIMER WIRES TO 45° TABS ON TERMINAL

7	1	1	-	105966
6	1	1	-	106541
5	2	2	1	106124
4	-	-	1	106580
3	1	1	-	108247
3	4	4	2	106127
2	1	1	1	44168
1	1	1	1	106306
ITEM	QTY.			PART NO.

STEAMCRAFT 3.1	STEAMCRAFT 5.1	SC 5.1 GAS	TOLERANCES (UNLESS AS NOTED)	SEC
			DECIMAL & N/A	TIT
			ANGULAR & N/A	BAT
			CK	03

THIS DESIGN DESCRIBES A PROPRIETARY ITEM AND IS THE PROPERTY OF CLEVELAND RANGE. THIS DRAWING IS NOT TO BE COPIED OR USED WITHOUT THE APPROVAL OF CLEVELAND RANGE.



SWITCH	TIME AMOUNT
1 *	0.5 HR
2 *	1.0 HR
3 *	2.0 HR
4 *	4.0 HR
5 *	8.0 HR
6 *	16.0 HR
7 *	32.0 HR
8 *	64.0 HR
9 *	128.0 HR
10 *	256.0 HR

COMBINE SWITCHES FOR TIME DELAY IN HOURS
EXAMPLES:

- 37 HRS • SWITCH 7 • SWITCH 4 • SWITCH 2
- 250 HRS • SWITCH 9 • SWITCH 8 • SWITCH 7
- SWITCH 6 • SWITCH 5 • SWITCH 3

SOURCE:
AIRONICS
2747 RT. 20 E. BOX 326
CAZENOVIA, N.Y. 13035

TYPE: CR-2 (GCKB3511H5E2
INPUT: 24 VAC, 6 AMP
DELAY: 5-511, 5 HR, ON-DLY

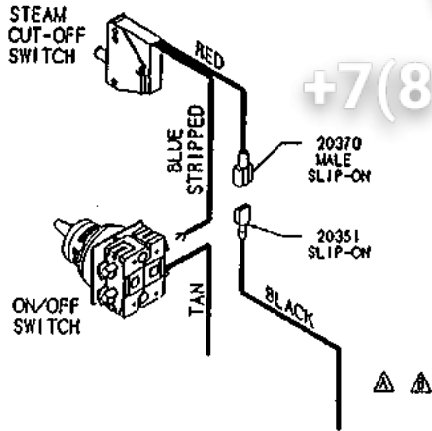
OPERATION:
SELECT DELAY VIA DIP SWITCH. APPLY 24VAC TO THE TIMER. AS THE SUPPLY VOLTAGE IS TURNED ON AND OFF TO THE TIMER THE TIMER WILL KEEP TRACK OF THE ELAPSED TIME THE SUPPLY VOLTAGE IS ON. ONCE THE TIMERS SUPPLY VOLTAGE HAS BEEN ON LONGER THAN THE SELECTED DELAY THE RELAY WILL TRANSFER. THIS IN TURN WILL TURN ON THE INDICATOR LIGHT. ONCE THIS HAS HAPPENED THE RESET BUTTON WILL BECOME ACTIVE AND ALLOW THE TIMER TO BE RESET.

THIS DESIGN DESCRIBES A PROPRIETARY ITEM AND IS THE PROPERTY OF CLEVELAND RANGE. THIS DRAWING IS NOT TO BE COPIED OR USED WITHOUT THE APPROVAL OF CLEVELAND RANGE.

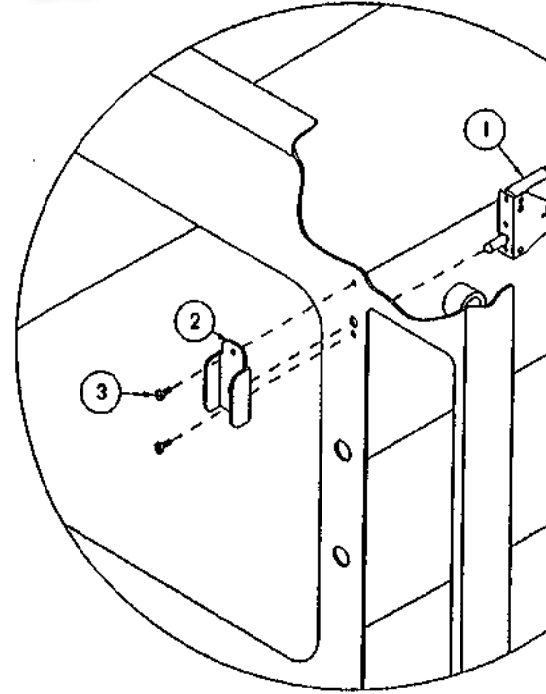
ITEM	QTY.	PART NO.
TOLERANCES (EXCEPT AS NOTED)		CLEV 1333 East 179th
DECIMAL ± .030		SCALE 1=1
ANGULAR ± 1°		TITLE TIME
CK		DATE 05-23-94

LET.	
A	RAS PER 6
B	20351 PER 6

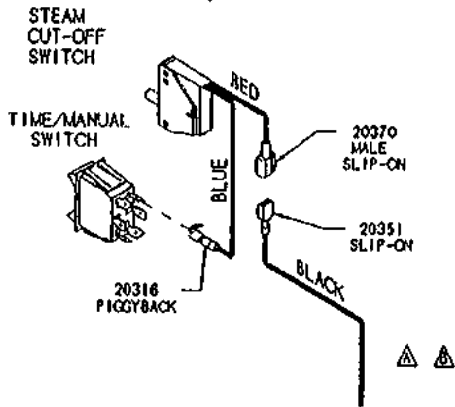
FOR ON/OFF SWITCH
TIMER



FROM: FLOAT (STANDARD)
GEN. STAND-BY TIMER (SBY OPTION)
BELL TERMINAL (TDS AND SBY OPTIONS TOGETHER)



FOR ELECTRICAL & 60 MINUTE
MECHANICAL TIMERS



FROM: FLOAT (STANDARD)
GEN. STAND-BY TIMER (SBY OPTION)
BELL TERMINAL (TDS AND SBY OPTIONS TOGETHER)

THIS DESIGN DESCRIBES A PROPRIETARY ITEM
AND IS THE PROPERTY OF CLEVELAND RANGE.
THIS DRAWING IS NOT TO BE COPIED OR USED
WITHOUT THE APPROVAL OF CLEVELAND RANGE.

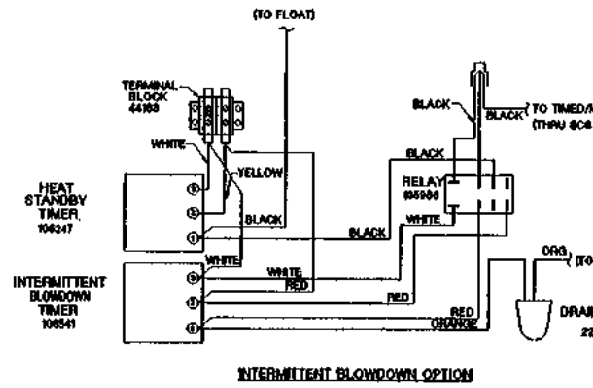
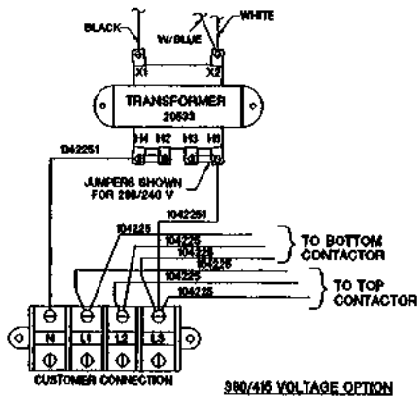
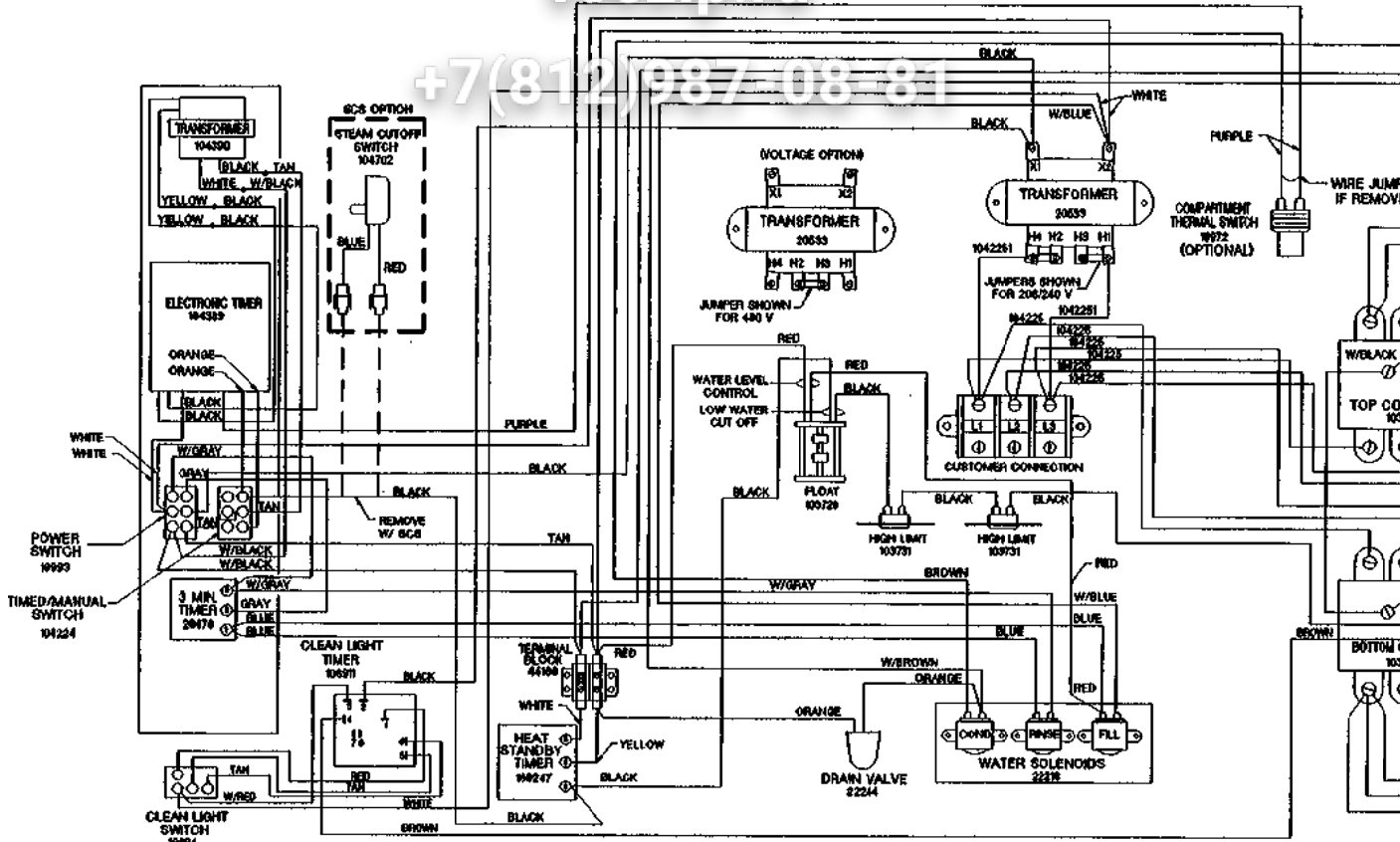
3	2	105449	SC
2	1	105442	GR
1	1	104702	SH
ITEM	QTY.	PART NO.	
TOLERANCES (EXCEPT AS NOTED)		CLE 1033 E111	
DECIMAL ± .030	SCALE N/T'S	DR	
ANGULAR ± 1°	TITLE	S ST	
CK	DATE 02-03-93	DR	

Зип Общепит

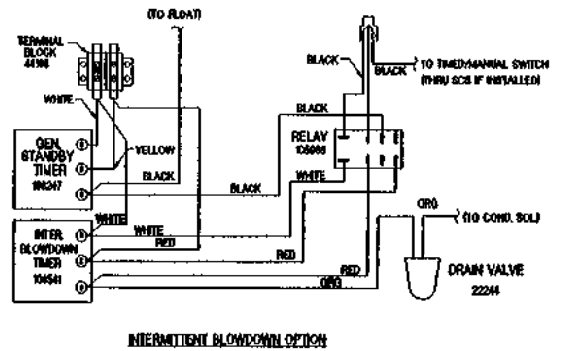
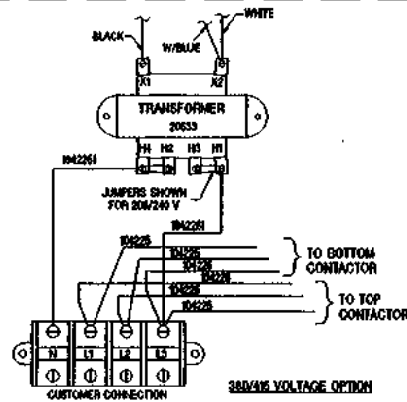
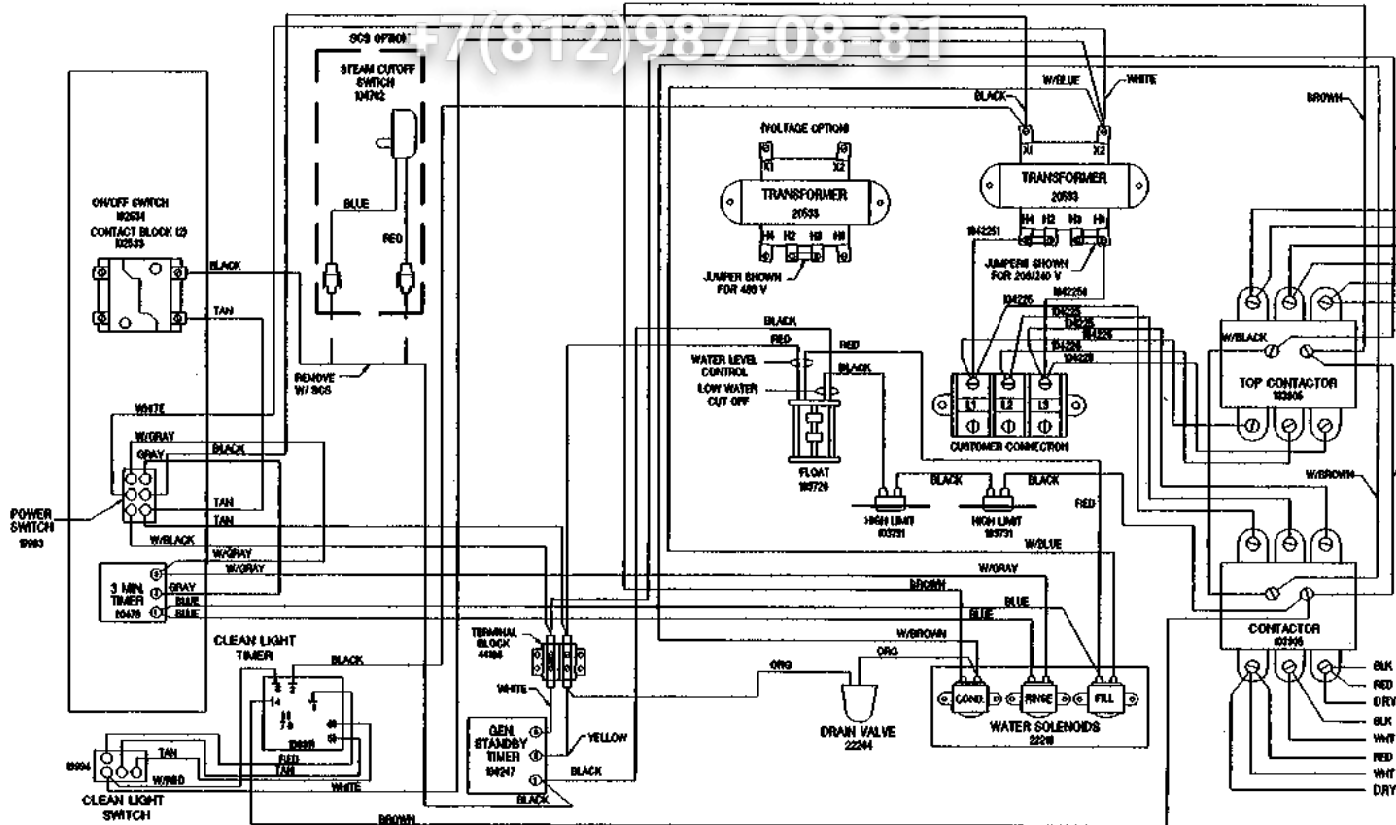
vsezip.ru

STEAMCRAFT 5.1 ELECTRONIC TIMER

+7(812)987-08-81



STEAMCRAFT 5.1 ON/OFF SWITCH

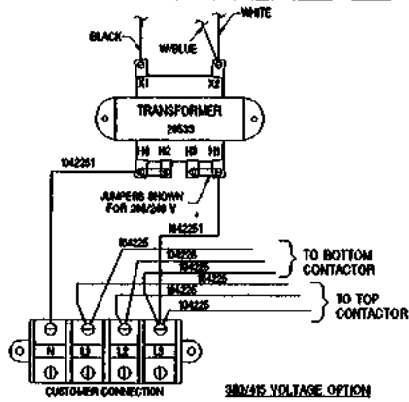
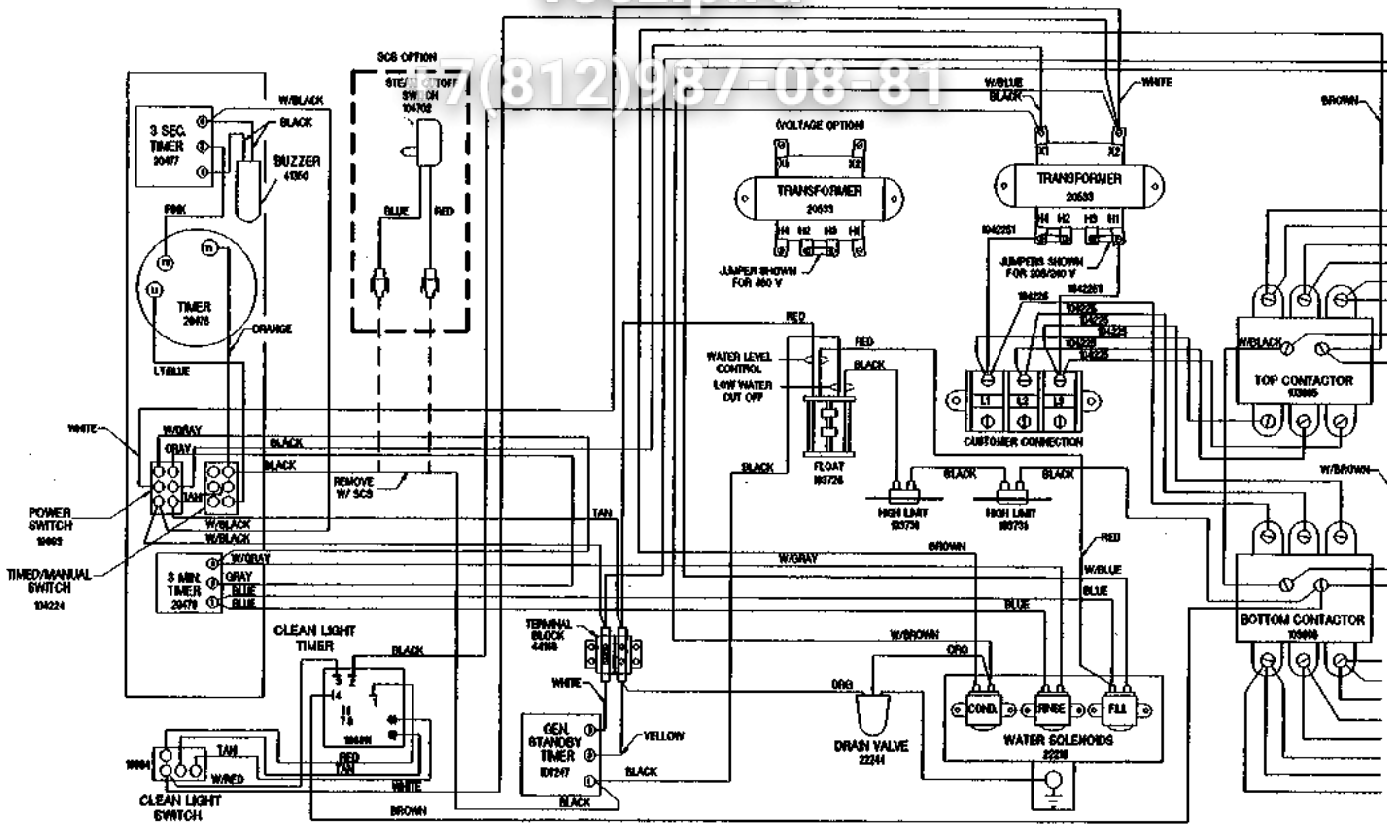


Зип Общепит

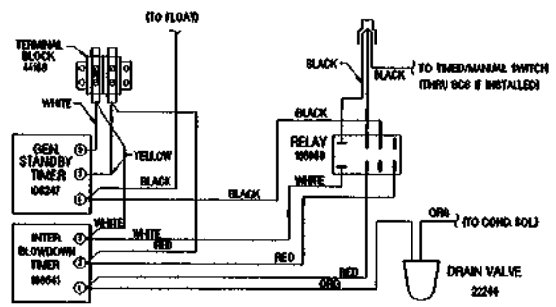
vsezip.ru

7(812)987-08-81

STEAMFAST 5.1 MECHANICAL TIMER



380/415 VOLTAGE OPTION



INTERMITTENT BLOWDOWN OPTION