

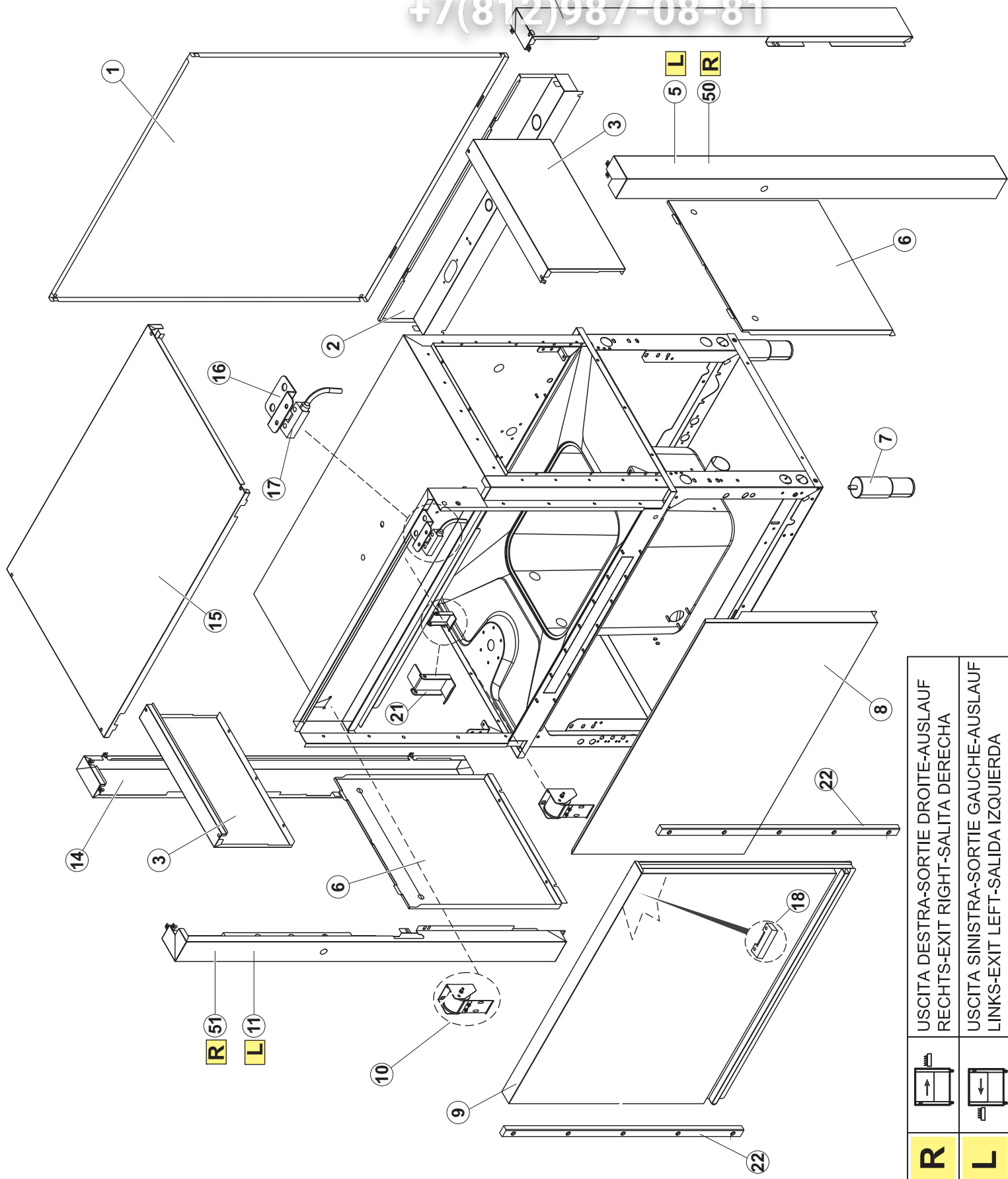
Зип Общепит



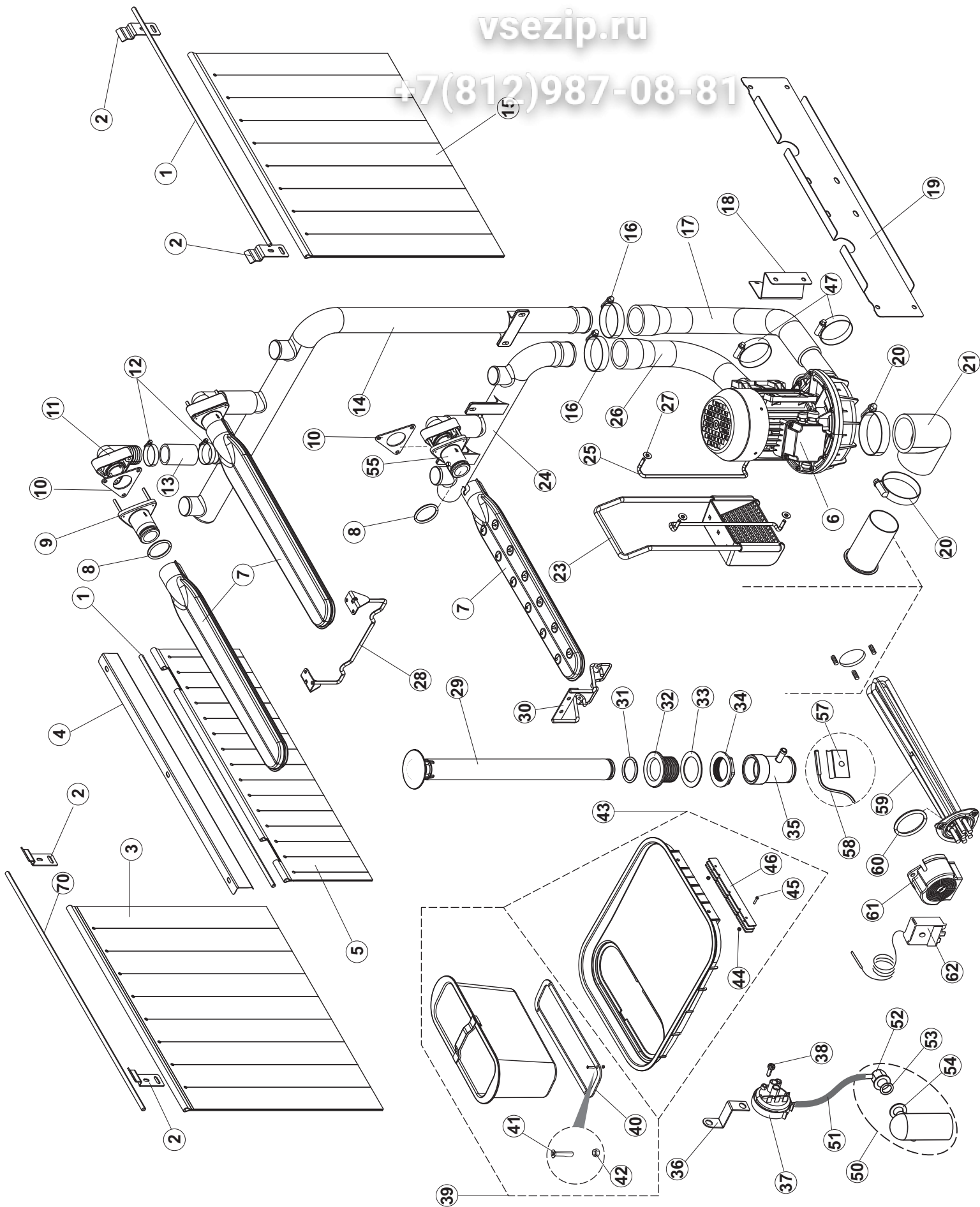
**SPARE PARTS CATALOGUE
ERSATZTEILKATALOG
CATALOGUE PIECES DETACHEES
CATALOGO PARTI RICAMBIO
CATALOGO DE PIEZAS DE RECAMBIO
CATALOGO PECÇAS DE REPOSICAO**

ARC 100

15-11-2016



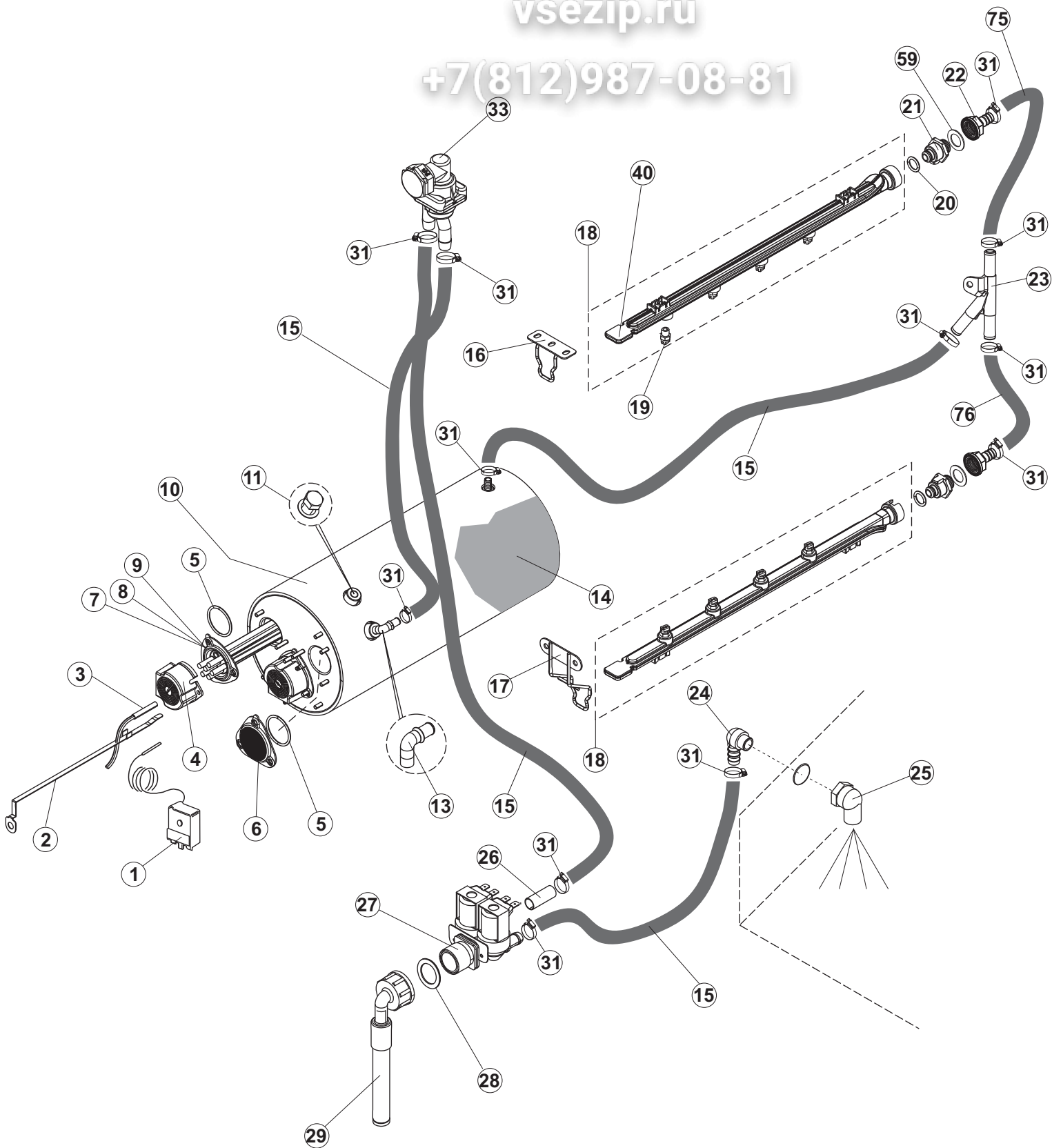
R		USCITA DESTRA-SORTIE DROITE-AUSLAUF RECHTS-EXIT RIGHT-SALIDA DERECHA
L		USCITA SINISTRA-SORTIE GAUCHE-AUSLAUF LINKS-EXIT LEFT-SALIDA IZQUIERDA



3 Zip Общепит

vsezip.ru

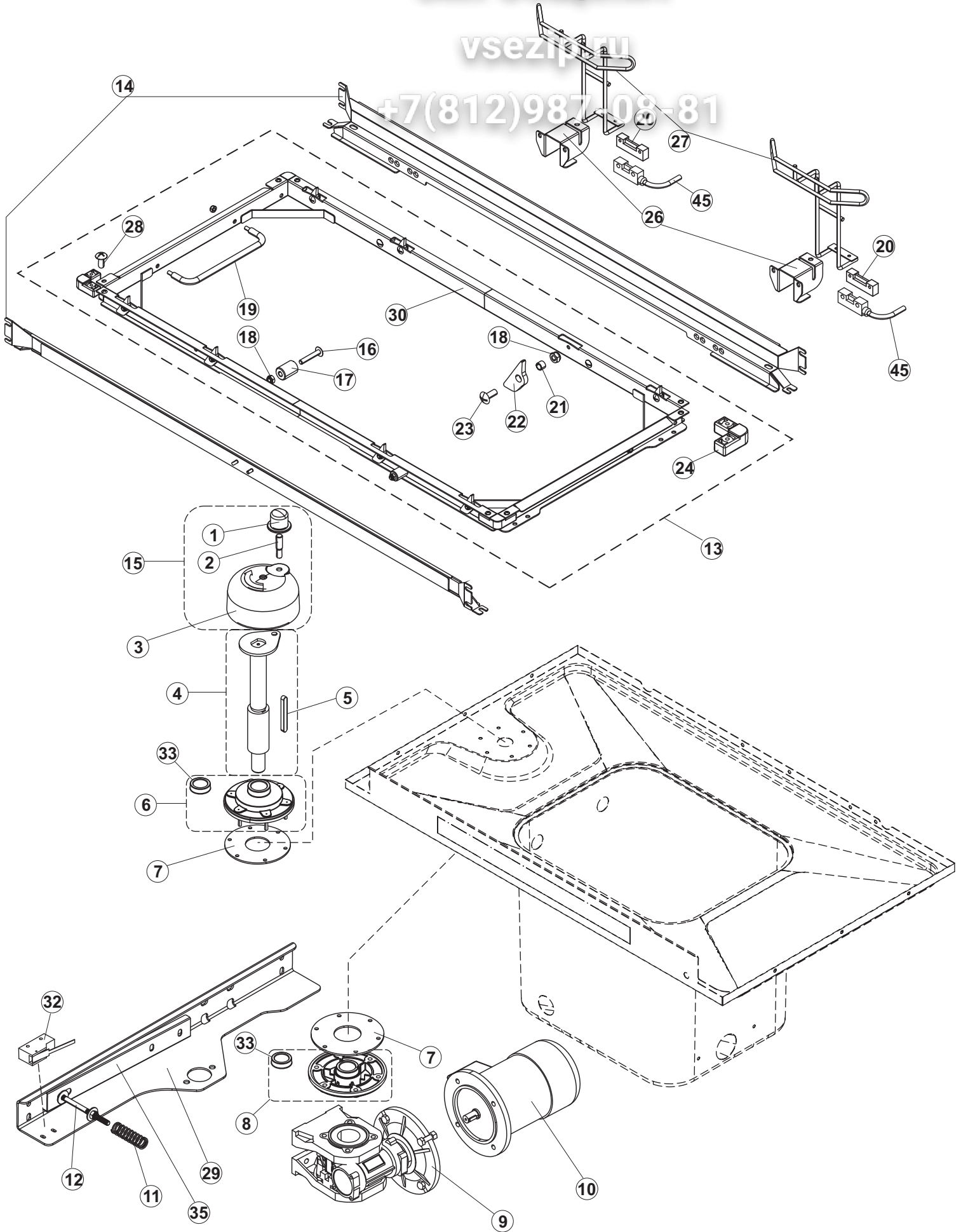
+7(812)987-08-81



4 Зип-Общепит

vsezip.ru

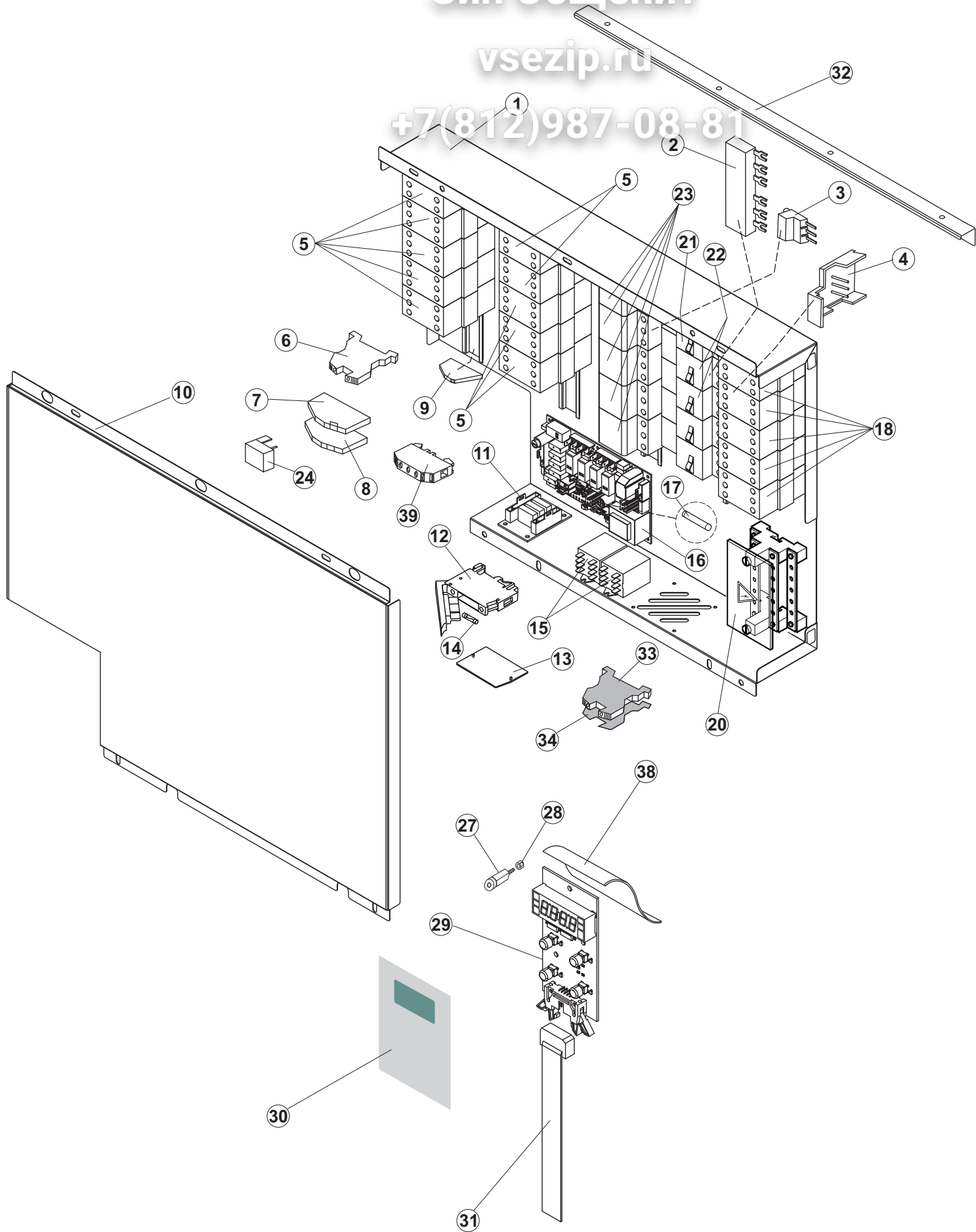
+7(812)987-08-81



5 Zip Общий

vsezip.ru

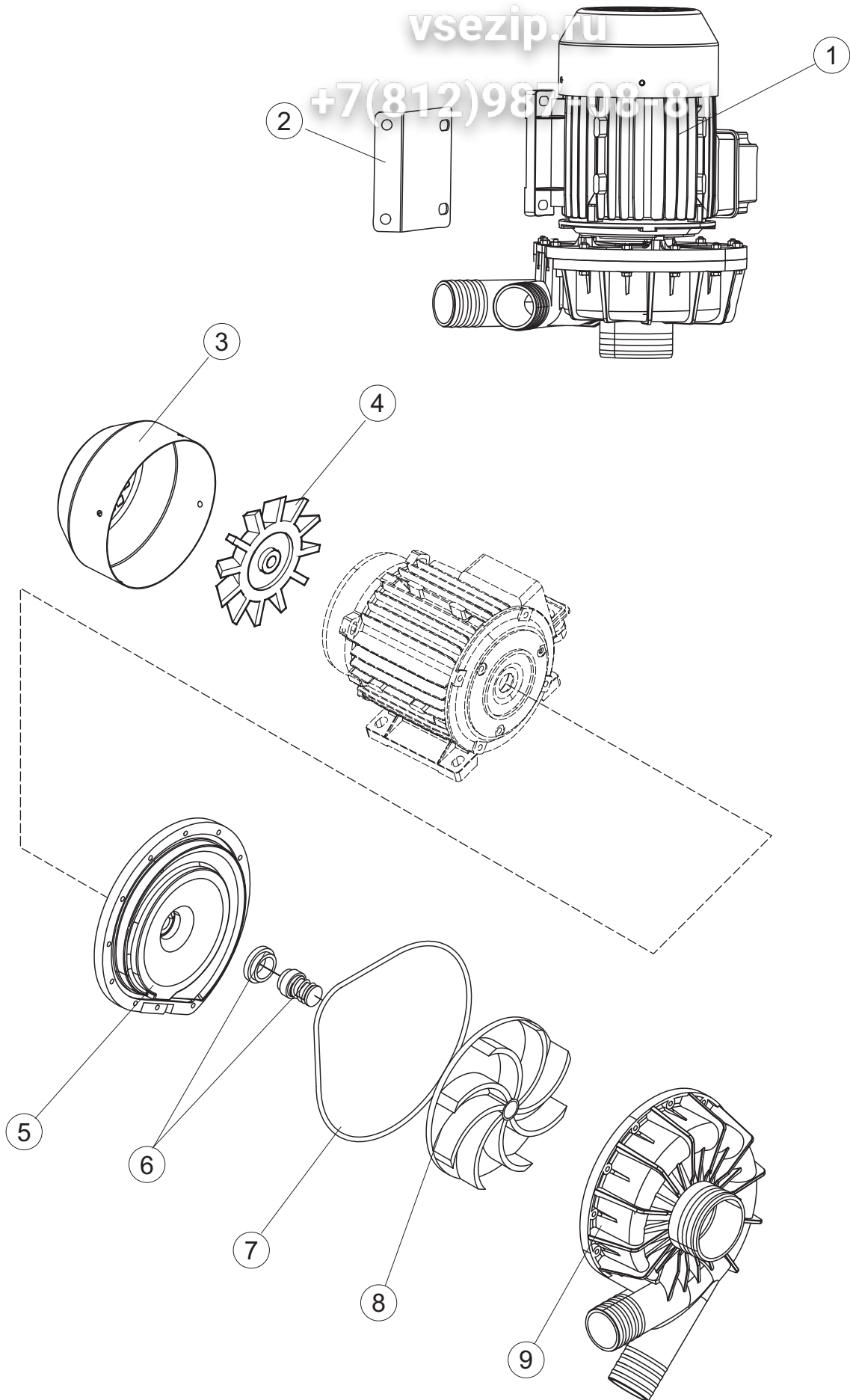
+7(812)987-08-81



6 Zip Общепит

vsezip.ru

+7(812)987-08-81



(*) Recommended spare part.

Зип Ощепит

vsezip.ru

Page	Spare part position	Spare part code no.	Old code number	Description	U.m.	Price euro
1	1	65244		NOT IN PRICE-LIST		
1	2	65080		BACK PANEL	NR	64,81
1	3	65035		FRONT PANEL	NR	53,21
1	4	65258		CORNER REAR RIGHT PANEL	NR	96,59
1	5	65337		supporting upright	NR	124,24
1	6	65054		SIDE PANEL	NR	73,92
1	7	73100		FOOT	NR	19,98
1	8	65066		FRONT PANEL TIPO C4-2 CPL	NR	139,77
1	9	K65282		KIT DOOR WASH UNIT	NR	738,17
1	10	65654		DOOR SPRING KIT	NR	180,02
1	11	65338		CORNER FRONT RIGHT PANEL	NR	105,18
1	14	65259		CORNER REAR LEFT PANEL	NR	96,49
1	15	65050		TOP PANEL	NR	140,28
1	16	65256		BRACKET	NR	5,07
1	17	80871		MAGNETIC DOOR SWITCH	NR	21,54
1	18	927088	CWM7	MAGNET FOR HOOD MICROSWITCH	NR	14,58
1	21	75064		DOOR SAFETY HOOK FOR RACK-CONVEYOR	NR	18,06
1	22	75647		SLIDES CONVEYOR DOOR	NR	11,84
1	50	65337		supporting upright	NR	124,24
1	51	65338		CORNER FRONT RIGHT PANEL	NR	105,18
2	1	75124		CURTAIN SUPPORT FOR RACK-CONVEYOR DISH-	NR	28,28
2	2	65128		support bracket	NR	5,80
2	3	65210		CURTAIN	NR	155,94
2	4	65162		CURTAIN SUPPORTING BRACKET	NR	32,10
2	5	65227		CURTAIN	NR	64,19
2	6	70100		WASHPUMP	NR	513,49
2	7	65265		COMPLETE WASH ARM	NR	72,34
2	8	CGR4131NT		O-RING	NR	3,80
2	9	75645		CONNECTING ARM	NR	36,24
2	10	437050	REB437050	GASKET	NR	2,40
2	11	75155		PIPE FITTING	NR	10,51
2	12	CFS32		NOT IN PRICE-LIST		

(*) Recommended spare part.

Зип Ощепит

vsezip.ru

Page	Spare part position	Spare part code no.	Old code number	Description	U.m.	Price euro
2	13	75154		DELIVERY WASH HOSE	NR	9,22
2	14	65177		PIPE	NR	57,17
2	15	65210		CURTAIN	NR	155,94
2	16	CFS2		CLAMP, TORRO W1/W2B 50-70/12	NR	6,44
2	17	65624		PIPE	NR	55,36
2	18	65326		support bracket	NR	15,00
2	19	65330		BRACKET	NR	54,92
2	20	CFS3		CLAMP, HOSE-TYPE TORRO W2B 60-80/12	NR	9,06
2	21	926056	DZG461	PIPE ELBOW	NR	29,24
2	23	75661		PUMP ASPIRATION FILTER	NR	26,11
2	24	K65176		PIPE + PARZ.77018	NR	56,41
2	25	42092	C.42092	ASPIRATION FILTER SLIDE	NR	36,24
2	26	65623		PIPE	NR	60,79
2	27	472061		WASHER	NR	2,88
2	28	65293		BRACKET	NR	48,00
2	29	75864		OVERFLOW PIPE	NR	31,55
2	30	75105		support bracket	NR	40,62
2	31	CGR4131NT		O-RING	NR	3,80
2	32	75871		DRAIN CONNECTION	NR	19,04
2	33	75873		GASKET	NR	2,95
2	34	75872		NUT WASTE DRAIN	NR	11,23
2	35	75639		DRAIN FITTING (PLASTIC)	NR	26,11
2	36	DAS20206		NOT IN PRICE-LIST		
2	37	926049	DEP45	PRESSURE SWITCH	NR	27,61
2	38	CVZ4		SCREW	NR	0,69
2	39	75429		COLLECTING FILTER WITH WEIGHT	NR	80,58
2	40	75428		WEIGHT FOR BASKET STAINER	NR	33,47
2	41	CVI1101		SCREW, INOX 4MAX10 TC/CROSS	NR	1,25
2	42	417091		NUT - SELF-LOCK	NR	1,23
2	43	75515		STAINER	NR	63,70
2	44	417091		NUT - SELF-LOCK	NR	1,23
2	45	75513		NOT IN PRICE-LIST		

(*) Recommended spare part.

Зип Общепит

vsezip.ru

Page	Spare part position	Spare part code no.	Old code number	Description	U.m.	Price euro
2	46	75514		NOT IN PRICE-LIST		
2	47	CFS1A		HOSE CLAMP	NR	4,22
2	50	984005	REB984005	AIR TRAP, ASSY	NR	14,17
2	51	143005	SPG10	LINEN RUBBER PIPE 5X12 - BLACK	MT	12,27
2	52	468029	REB468029	AIR TRAP CONNECTION OF PRESSURE SWITCH	NR	2,26
2	53	456020	REB456020	O-ring	NR	1,23
2	54	437019	REB437019	PACKING FOR AIR TRAP OF PRESSURE SWITCH	NR	1,23
2	55	75648		CONNECTING ARM	NR	36,24
2	57	H.775489-001		Support temperature probe	NR	5,18
2	58	231016		TEMPERATURE PROBE	NR	28,18
2	59	80397		HEATING ELEMENT 10500W 230/400V	NR	131,35
2	60	456002	REB456002	O-ring	NR	1,23
2	61	69870		BOILER HEATING ELEMENT PROTECTION	NR	3,81
2	62	927057		THERMOSTAT	NR	37,94
2	70	77121		CURTAIN SUPPORT FOR RACK-CONVEYOR DISH-	NR	34,68
3	1	927057		THERMOSTAT	NR	37,94
3	2	69871		PROBE HOLDER	NR	11,04
3	3	231016		TEMPERATURE PROBE	NR	28,18
3	4	69870		BOILER HEATING ELEMENT PROTECTION	NR	3,81
3	5	456002	REB456002	O-ring	NR	1,23
3	6	926053	DWT100	CLOSED FLANGE CAP (170880543)	NR	12,18
3	7	230083C	REB230083C	HEATING ELEMENT 6KW	NR	81,61
3	8	230020C	REB230020C	KIT HEATING ELEMENTS REB230020 (8KW)	NR	86,39
3	9	80398C	C.80398C	READY-TO-ASSEMBLE KIT FOR HEATING	NR	121,70
3	10	65700		BOILER	NR	289,68
3	11	65875		CAP CHROME-PLATED BRASS	NR	3,11
3	13	K65271		WATER INLET PIPE FITTING	NR	17,42
3	14	65245		COVER INSULATION	NR	32,53
3	15	143010	SPG61	RUBBER PIPE 12X19,5	MT	12,25
3	16	65582		BRACKET	NR	26,78
3	17	65588		support bracket RINSE ARM	NR	32,63
3	18	65786		RINSE ARM	NR	150,00

(*) Recommended spare part.

Зип Общепит

vsezip.ru

Page	Spare part position	Spare part code no.	Old code number	Description	U.m.	Price euro
3	19	65950		STAINLESS STEEL RINSE SPRAY NOZZLE	NR	18,13
3	20	65727		O-RING 2050 T2.42X1.78 EPDM 70SH A	NR	0,54
3	21	65728		PIPE FITTING	NR	3,85
3	22	65745		UNION TEE	NR	5,70
3	23	H.882974-001		MAINFOLD	NR	14,10
3	24	929163	DZR2622	BRASS RUBBER-PIPE HOLDER CONNECTION 3/8	NR	21,93
3	25	927013	SSR37	ELBOW BRASS CONNECTION 3/8X12 -WELDED	NR	23,76
3	26	75835		FLOW REDUCER	NR	3,12
3	27	929172		SOLENOID VALVE	NR	25,12
3	28	437041	REB437041	GASKET	NR	1,48
3	29	143270		INLET WRAS PIPE	NR	7,00
3	31	927322	CFS14	HOSE CLAMP	NR	3,02
3	33	144010NT	REB144010NT	non-return valve	NR	15,12
3	40	65545		RINSE ARM	NR	63,46
3	59	65749		GASKET ES/AM VERDE 33X21X1,5	NR	0,85
3	75	65747-A		RINSE PIPE L 200 RACC 90°	NR	15,84
3	76	65747-B		RINSE PIPE L 380 RACC 90°	NR	15,84
4	1	75058		WASHER	NR	15,65
4	2	75234		PIVOT	NR	11,09
4	3	75649		SPLASH PROTECTION	NR	17,40
4	4	65235		GEAR SHAFT CONVEYOR	NR	133,75
4	5	65235C		GEARED MOTOR KEY	NR	25,35
4	6	K75141		UPPER FLANGE SHAFT CONVEYOR	NR	65,66
4	7	75168		GASKET	NR	6,11
4	8	K75057		LOWER BUSH & SEAL	NR	58,63
4	9	65923		GEARMOTOR SW050PA MEC71B5 I=50	NR	688,15
4	10	927104	DPM120	MOTOR 180W V 230/400	NR	395,88
4	11	CMT13		SPRING	NR	4,50
4	12	60354		SCREW	NR	26,44
4	13	75869		RACK CONVEYOR	NR	318,33
4	14	K65024		RACK SLIDE RACKCONVEYOR ONLY SPARE PART	NR	100,32
4	15	K75649		KIT PROTECTIVE PLATE OF SPLASHING WATER	NR	71,26

(*) Recommended spare part.

Зип Ощепит

vsezip.ru

Page	Spare part position	Spare part code no.	Old code number	Description	U.m.	Price euro
4	16	75310		SCREW	NR	0,34
4	17	75076		BUFFER FOR DRIVE STOP	NR	3,75
4	18	CDI206AU		NUT - SELF-LOCK	NR	1,47
4	19	75073		RACK CONVEYOR HANDLE	NR	57,66
4	20	927088	CWM7	MAGNET FOR HOOD MICROSWITCH	NR	14,58
4	21	75077		BUSH	NR	7,66
4	22	75071		RACK CONVEYOR COG	NR	15,99
4	23	CVI172		SCREW, INOX SPEC.6MAX16 T.1/2 T. POELIER	NR	1,50
4	24	75075		sled cart towing	NR	5,07
4	25	65022		NOT IN PRICE-LIST		
4	26	75110		BRACKET ECONOMIZER	NR	12,21
4	27	75095		OPERATED RINSING LEVER	NR	49,83
4	28	486169	REB486169	STAINLESS STEEL SCREW 4MAX10 TBCR-SP	NR	2,58
4	29	65217		NOT IN PRICE-LIST		
4	30	75868		TOWING RACK	NR	218,17
4	32	927246	DEM11NT	MICROSWITCH	NR	33,69
4	33	927095	DWA202	SEAL RING MIM 30X40X7 (MIM 30407)	NR	15,76
4	35	75218		support bracket	NR	14,32
4	45	80871		MAGNETIC DOOR SWITCH	NR	21,54
5	1	65680		PANEL FOR ELECTRICAL COMPONENTS	NR	133,06
5	2	80829		BAR ELECTRICAL CONNECTION	NR	37,51
5	3	80826		POWER CONNECTOR	NR	58,54
5	4	73830		CONNECTOR	NR	22,85
5	5	73351		CONTACTOR	NR	87,03
5	6	927115	DEM4L	TERMINAL BLOCK	NR	12,34
5	7	80822		TERMINAL	NR	3,80
5	8	80824		TERMINAL	NR	1,11
5	9	75817		ELECTRICAL CONNECTOR FOR U-SHAPED BAR	NR	2,69
5	10	65683		COVER	NR	33,33
5	11	74903		MAIN BOARD	NR	93,45
5	12	H.228047		FUSE-HOLDER	NR	18,91
5	13	H.228048		PLUG	NR	3,84

(*) Recommended spare part.

Зип Ощепит

vsezip.ru

Page	Spare part position	Spare part code no.	Old code number	Description	U.m.	Price euro
5	14	228014		FUSE	NR	0,71
5	15	929115	DER1108	RELAY 16A 230V	NR	35,50
5	16	215042-2		MAIN BOARD 215042+ FIRMWARE26(FW_0_XXA.Q014)	NR	194,83
5	17	228010		FUSE	NR	1,40
5	18	73350		CONTACTOR	NR	45,69
5	20	75983		TERMINAL BLOCK	NR	180,91
5	21	DEI40N		automatic switch	NR	146,66
5	22	DEI36N		AUTOMATIC SWITCH	NR	146,66
5	23	927038	DEP2F	FUSE-HOLDER - TRIPOLAR GK1-DF	NR	60,68
5	24	80825		JUMPER	NR	4,37
5	27	419036		INTERFACE BOARD DISTANCE KEEPERS	NR	8,24
5	28	417119		NUT	NR	1,74
5	29	74901		CONTROL KEYBOARD	NR	53,04
5	30	66740		CONTROL ADHESIVE INTERFACE MOD. TRAINO ARC100 APACH	NR	31,06
5	31	80934		FLAT CABLE	NR	17,45
5	32	65491		BRACKET	NR	28,37
5	33	65980		TERMINAL	NR	24,00
5	34	65981		PLUG	NR	3,09
5	38	214088		PVC CURTAIN FOR ELECTRIC PROTECTION	NR	17,05
5	39	927114	DEM27	TERMINAL BLOCK	NR	33,28
6	1	70100		WASHPUMP	NR	513,49
6	2	70105		BRACKET	NR	18,28
6	3	70940		ELECTROPUMP FAN COVER	NR	41,78
6	4	70939		WASHPUMP FUN	NR	21,77
6	5	70941		FLANGE	NR	95,08
6	6	70942		WASHPUMP SHAFT SEAL	NR	47,26
6	7	70943		O-RING	NR	30,67
6	8	70944		ELECTROPUMP IMPELLER	NR	42,22
6	9	70945		ELECTROPUMP HOUSING	NR	62,02