

Зип Общепит  
vsezip.ru  
+7(812)987-08-81

# Icematic®

Spare parts list • *Catalogo ricambi*  
Catalogues pièces détachées

---



Cod. 71503398/0 - 12/2006

# N25S - N35S - N45S

R134a

**Зип Общепит**

**vsezip.ru**

**+7(812)987-08-81**

| COMPONENTISTICA A VOLTAGGIO SPECIALE 220/60 HZ / SPECIAL VOLTAGE 220/60 HZ COMPONENTS |                  |                            |  |  |                               |                |  |                      |                       |  |
|---|------------------|----------------------------|--|--|-------------------------------|----------------|--|----------------------|-----------------------|--|
| GAS   | MODELLO<br>MODEL | COMPRESSORE<br>COMPRESSOR  | MOTO<br>RIDUTTORE<br>PALETTE<br>PADDEL MOTOR | MOTORID.<br>RIBALTAMENTO<br>HARVEST<br>MOTOR | VENTILATORE<br>U.C. FAN MOTOR | VENTOLE<br>FAN | CONDENS.<br>SPUNTO<br>START<br>CAPACITOR | CARICA GAS<br>CHARGE | CAPILLARE<br>CAPILLAR |  |
| GAS R134  | N25S             | AZ 4414Y<br>COD.19165545/0 | 19440067/0                                   | 19440074/0                                   | -                             | -              | -  | -                    | -                     |  |
|   | N35S             | UHAEZ4430Y<br>19165560/0   | 19440067/0                                   | 19440074/0                                   | -                             | -              | -  | -                    | -                     |  |
|   | N45S             | AEZ 4430Y<br>19165560/0    | 19440067/0                                   | -  | 18562498/0                    | 18740026/0     | -  | -                    | -                     |  |
|   |                  |                            |  |  |                               |                |  |                      |                       |  |
|   |                  |                            |  |  |                               |                |  |                      |                       |  |
|   |                  |                            |  |  |                               |                |  |                      |                       |  |
|   |                  |                            |  |  |                               |                |  |                      |                       |  |

Зип Общепит  
vsezip.ru

+7(812)987-08-81

+7(812)987-08-81

## **HOW TO ORDER SPARE PARTS**

In order to avoid expensive delays or mistakes by delivery, when you order spare parts, be sure to have indicated the right code-number, the complete description you can find on the list and the quantity for each requested part. Please also include the name of the model for which the spare parts are requested and its own serial number.

## **COME ORDINARE LE PARTI DI RICAMBIO**

Al fine di evitare costosi ritardi od errori nella spedizione, quando ordinate le parti di ricambio, accertatevi di indicare il numero di codice, la descrizione completa che trovate sull'elenco e la quantità per ogni parte di ricambio richiesta. Includere inoltre il nome del modello per cui sono richieste le parti di ricambio ed il suo numero di serie.

## **COMMENT COMMANDER LES PIÈCES DETACHÉES**

Pour éviter des retards coûteux ou des erreurs dans la livraison, au moment de commander les pièces détachées nous vous prions de bien vouloir vous assurer d'avoir indiqué la référence, la description complète que vous trouvez dans la liste et la quantité pour chaque pièce détachée demandée. Inclure en outre le nom du modèle pour lequel les pièces sont demandées et le numéro de série.

## **WIE DIE ERSATZTEILE BESTELLT WERDEN SOLLEN**

Um Fehl-b.z.w. verspätete Lieferungen zu vermeiden, geben Sie bei den Ersatzteilbestellungen die Kodenummer an. Volle Beschreibung wie in Katalog ersichtlich und Menge für sämtliche bestellte Ersatzteile sollten ebenfalls eingegeben werden. Schließlich die bestellten Ersatzteile entsprechende Seriennummer hinweisen.

Зип Общепит  
vsezip.ru  
+7(812)987-08-81

# Icematic®

Spare parts list • *Catalogo ricambi*  
Catalogues pièces détachées

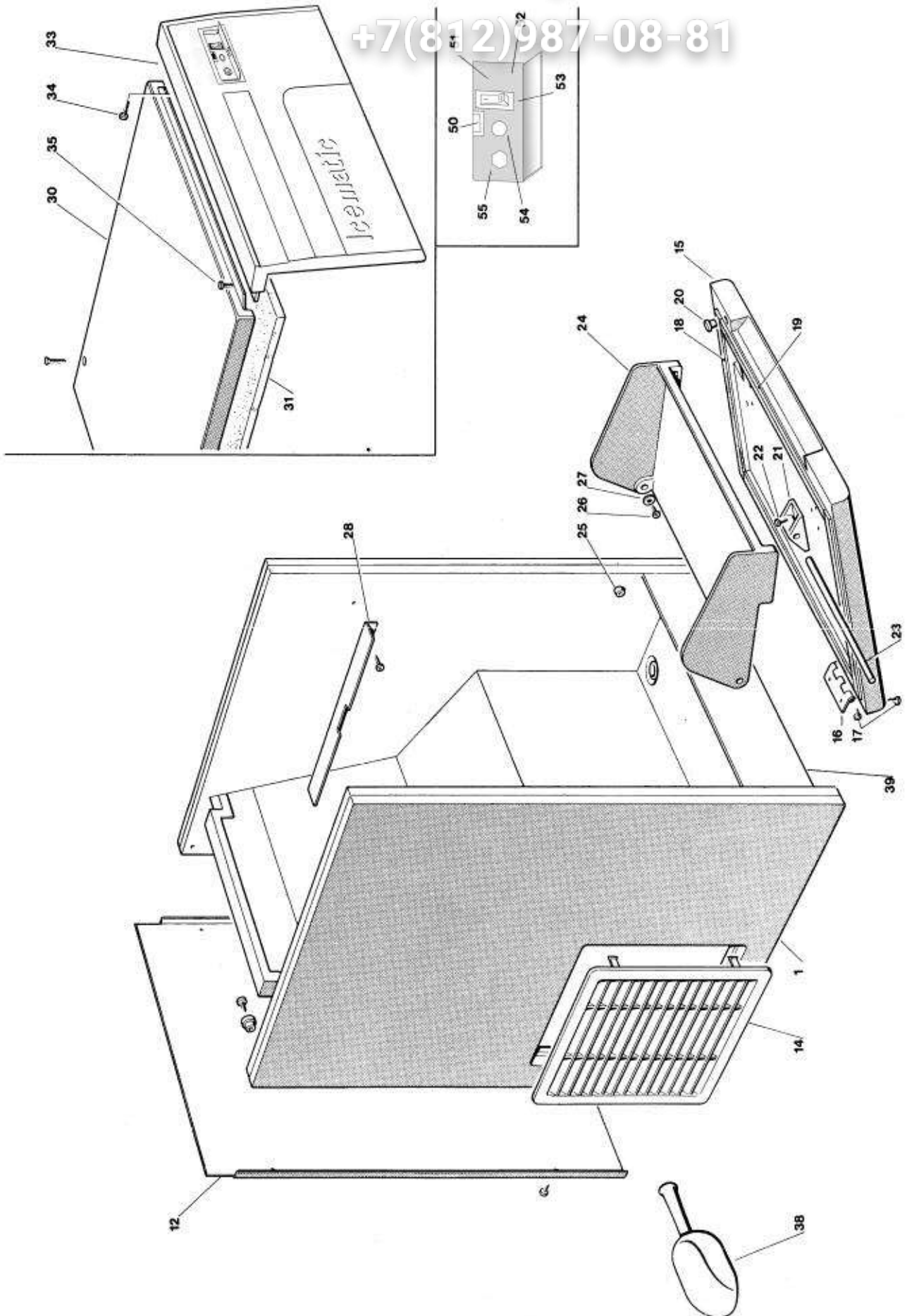
---



Cod. 71503398/0 - 12/2006

## N25S

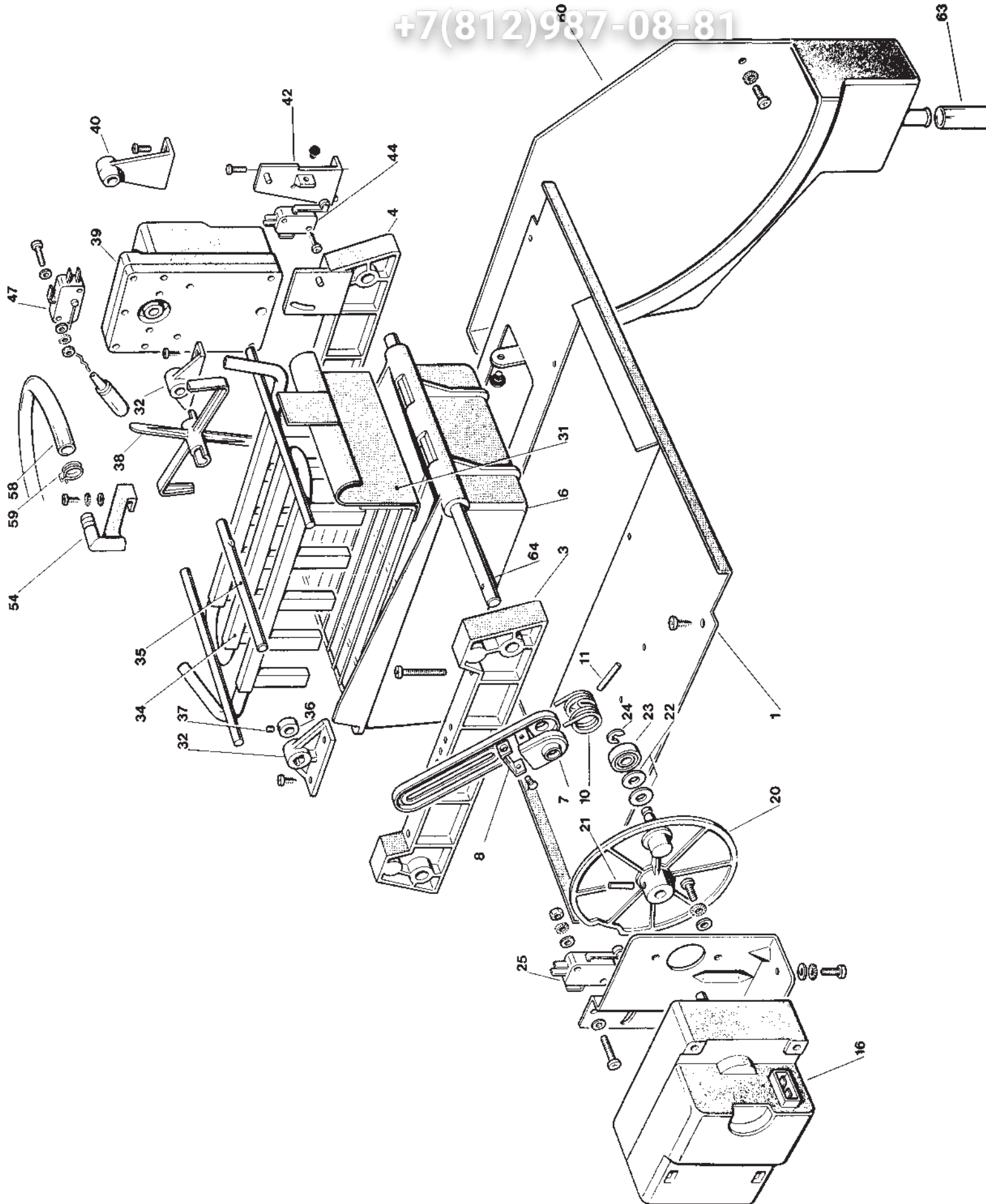
R134a





+7(812)987-08-81

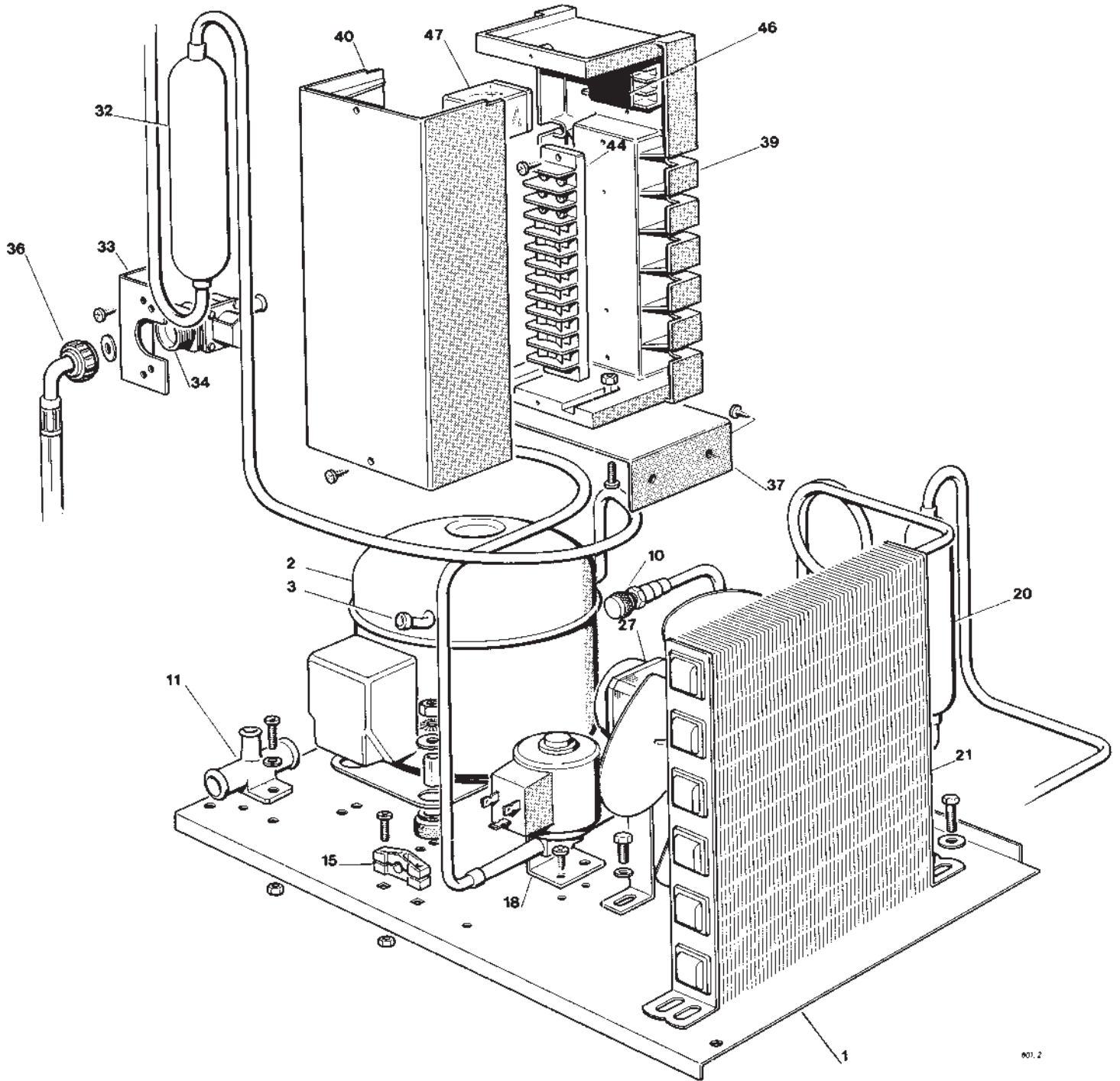
| Pos.<br>Nr. | Codice<br>Code | Descrizione                     | Description                               | Description                                       | Quantità<br>Q.ty<br>Q.te |
|-------------|----------------|---------------------------------|---|---|--------------------------|
| 1           | 81400710/0     | ASSIEME MOBILE                  | CABINET ASS'Y                             | ENSEMBLEMEUBLE                                    | 1                        |
| 1A          | 81400711/0     | ASSIEME MOBILE INOX             | CABINET ASS'Y INOX                        | ENSEMBLEMEUBLE INOX                               | 1                        |
| 12          | 81401513/0     | PANNELLO POSTERIORE             | BACK PANEL                                | PANNEAU ARRIERE                                   | 1                        |
| 12A         | 81401514/0     | PANNELLO POSTERIORE INOX        | BACK PANEL INOX                           | PANNEAU ARRIERE INOX                              | 1                        |
| 14          | 25610076/0     | PRESA D'ARIA                    | AIR INTAKE                                | PRISE D'AIR                                       | 2                        |
| 14A         | 25610078/0     | PRESA D'ARIA INOX               | AIR INTAKE INOX                           | PRISE D'AIR INOX                                  | 2                        |
| 15          | 81401649/0     | ASS. PORTA                      | COMPLETE DOOR                             | PORTE COMPLETE                                    | 1                        |
| 15A         | 25600187/0     | PORTA N25S                      | DOOR                                      | PORTE   | 1                        |
| 16          | 19120050/0     | CERNIERA                        | HINGE                                     | CHARNIERE   | 2                        |
| 18          | 25620413/0     | GUARNIZIONE                     | GASKET                                    | GARNITURE   | 2                        |
| 19          | 25620417/0     | GUARNIZIONE                     | GASKET                                    | GARNITURE   | 2                        |
| 20          | 41109519/0     | MAGNETE                         | MAGNET                                    | MAGNETO   | 2                        |
| 21          | 25726279/0     | SUPPORTO                        | SUPPORT                                   | SUPPORT   | 2                        |
| 23          | 25085096/0     | ALBERINO                        | SHAFT                                     | ARBRE   | 1                        |
| 24          | 25250099/0     | DEFLETTORE                      | DEFLECTOR                                 | DEFLECTEUR  | 1                        |
| 28          | 25725436/0     | SUPPORTO                        | SUPPORT                                   | SUPPORT   | 2                        |
| 30          | 25161039/0     | COPERCHIO                       | COVER                                     | COUVERCLE   | 1                        |
| 30A         | 25161040/0     | COPERCHIO INOX                  | COVER INOX                                | COUVERCLE INOX                                    | 1                        |
| 31          | 25550179/0     | ISOLANTE                        | INSULATOR                                 | ISOLANT   | 1                        |
| 33          | 25175525/0     | CRUSCOTTO                       | FRONT PANEL                               | PANNEAU FRONTAL                                   | 1                        |
| 37          | 25740061/0     | TARGHETTA DI DEN. BLU NOTTE     | LABEL BLU VERSION                         | PLAQUETTE   | 1                        |
| 37A         | 25740062/0     | TARGHETTA DI DEN. INOX          | ICE SCOOP INOX VERSION                    | PALLE A GLACE                                     | 1                        |
| 38          | 19500100/0     | PALETTA                         | ICE SCOOP                                 | PALLE A GLACE                                     | 1                        |
| 39          | 25470038/0     | MASCHERINA                      | PANEL                                     | PANNEAU   | 1                        |
| 39A         | 25470039/0     | MASCHERINA INOX                 | PANEL INOX                                | PANNEAU INOX                                      | 1                        |
| 50          | 19120434/0     | CHIUSURA PUSH                   | PUSH LOCK                                 | FERMETURE "PUSH"                                  | 1                        |
| 51          | 33400053/0     | INTERRUTTORE LUM. VERDE         | GREEN LIGHT SWITHC                        | INTERRUPTEUR LUMINEUX VERT                        | 1                        |
| 52          | 25570459/0     | PIASTRA SUPP. COM.I AIR VERSION | CONTROL SUP. PLATE FOR AIR COOLED VERS.   | PLAQUE SUPPORT COMMANDES - VERS. AVEC COND. À AIR | 1                        |
| 52A         | 25570460/0     | PIASTRA SUPP. COM. WATER VERS.  | CONTROL SUP. PLATE FOR WATER COOLED VERS. | PLAQUE SUPPORT COMMANDES - VERS. AVEC COND. À EAU | 1                        |
| 53          | 25161138/0     | COPERCHIO COMANDI               | COVER BOX CONTROL                         | COUVERCLE   | 1                        |
| 54          | 33470507/0     | SPIA LUMINOSA ROSSA             | RED LIGHT ALLARM                          | ALARME LUMINEUX ROUGE                             | 1                        |
| 56          | 25352500/0     | FRONTALINO PER VERSIONE BLU     | FRONTAL PANEL FOR BLUE VERS.              | PETIT PANNEAU FRONTAL VERSION BLEUE               | 1                        |
| 56A         | 25352501/0     | FRONTALINO PER VERSIONE INOX    | FRONTAL PANEL FOR STAINLESS STEEL VERS.   | PETIT PANNEAU FRONTAL VERSION INOX                | 1                        |





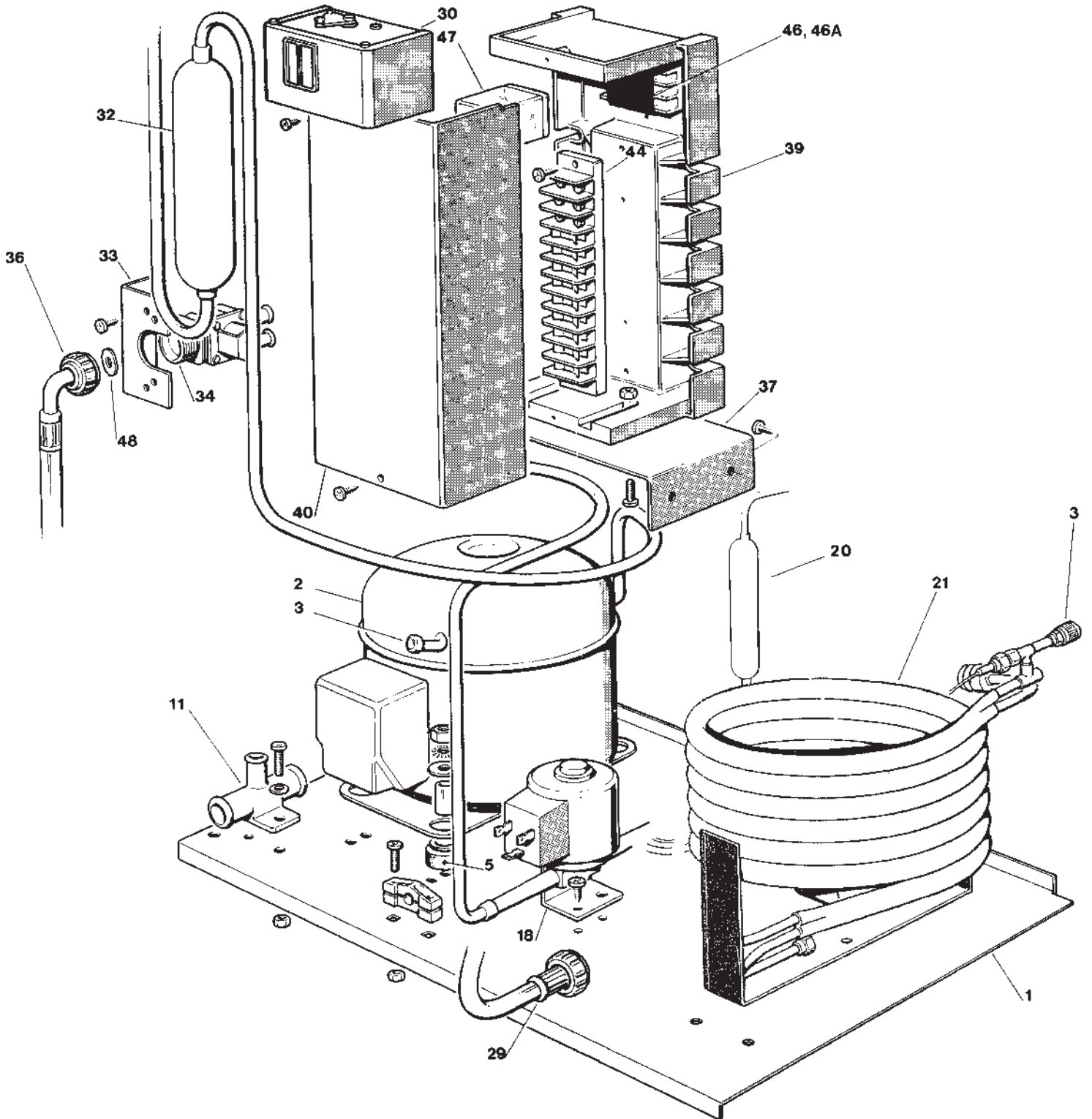
**+7(812)987-08-81**

| Pos. Nr. | Codice Code | Descrizione   | Description                               | Description  | Quantità<br>Q.ty<br>Q.te |
|----------|-------------|---|---|--|--------------------------|
| 1        | 25745124/0  | TELAIO EVAPORATORE  | EVAPORATOR FRAME                          | PLAQUE SUPPORT EVAPORATEUR                               | 1                        |
| 1A       | 25745127/0  | TELAIO EVAPORATORE<br>(DA APRILE 2000)                    | EVAPORATOR FRAME<br>(FROM APRIL 2000)     | PLAQUE SUPPORT EVAPORATEUR<br>(DEPUIS AVRIL 2000)        | 1                        |
| 3        | 25726121/0  | SUPPORTO EVAPORATORE                                      | SUPPORT                                   | SUPPORT  | 1                        |
| 4        | 25726122/0  | SUPPORTO EVAPORATORE                                      | SUPPORT                                   | SUPPORT  | 1                        |
| 6        | 81403005/0  | BACINELLA CON LEVERAGGI                                   | COMPLETE TILTING PAN                      | BAC COMPLETE   | 1                        |
| 6A       | 81401621/0  | BACINELLA CON LEVERAGGI<br>(DA APRILE 2000)               | COMPLETE TILTING PAN<br>(FROM APRIL 2000) | BAC COMPLETE<br>(DEPUIS AVRIL 2000)                      | 1                        |
| 7        | 25440110/0  | LEVA  | LEVER                                     | LEVIER   | 1                        |
| 8        | 25325953/1  | PIASTRINA   | STOP PLATE                                | PLAQUETTE  | 1                        |
| 10       | 25474600/0  | MOLLA   | SPRING                                    | RESSORT  | 1                        |
| 11       | 25560256/0  | PERNO   | GUUDGEON                                  | PIVOT  | 1                        |
| 16       | 81404024/0  | ASSIEME MOTORIDUTTORE/ DISCO/<br>SUPPORTO/ MICRO - R 134A | MOTOR/SUPPORT/CAM MICRO<br>ASS'Y - R 134A | ENSEMBLE MOTOREDUCTEUR/<br>SUPPORT/ CAME/ MICRO - R 134A | 1                        |
| 20       | 25260000/0  | DISCO   | CAM                                       | CAME DE BASCULER   | 1                        |
| 21       | 12639300/0  | SPINA   | PIN                                       | GOUVILLE   | 1                        |
| 22       | 25654016/0  | RONDELLA  | WASHER                                    | RONDELLE   | 2                        |
| 23       | 25110911/0  | BUSSOLA   | BUSH                                      | DOUILLE  | 1                        |
| 24       | 12000950/0  | ANELLO D'ARRESTO  | SEEGER                                    | BAGUE D'ARRÊT  | 1                        |
| 25       | 19410208/0  | MICRO   | MICRO                                     | MICRO  | 1                        |
| 31       | 81403045/0  | CONVOGLIATORE   | ICE DEFLECTOR                             | CONTRE CUVETTE   | 1                        |
| 31A      | 81401622/0  | CONVOGLIATORE<br>(DA APRILE 2000)                         | ICE DEFLECTOR<br>(FROM APRIL 2000)        | CONTRE CUVETTE<br>(DEPUIS AVRIL 2000)                    | 1                        |
| 32       | 25726115/3  | SUPPORTO ALBERO PALETTE                                   | PADDLE SHAFT SUPPORT                      | SUPPORT ARBRE PALETTES                                   | 2                        |
| 34       | 81401576/0  | EVAPORATORE R 22 - R 134A                                 | EVAPORATOR R 22 - R 134A                  | EVAPORATEUR R 22 - R 134A                                | 1                        |
| 34A      | 81401620/0  | EVAPORATORE - R 134A<br>(DA APRILE 2000)                  | EVAPORATOR - R 134A<br>(FROM APRIL 2000)  | EVAPORATEUR - R 134A<br>(DEPUIS AVRIL 2000)              | 1                        |
| 35       | 25030006/0  | ALBERO PALETTE  | PADDLE SHAFT                              | ARBRE PALETTES   | 1                        |
| 35A      | 25030022/0  | ALBERO PALETTE<br>(DA APRILE 2000)                        | PADDLE SHAFT<br>(FROM APRIL 2000)         | ARBRE PALETTES<br>(DEPUIS AVRIL 2000)                    | 1                        |
| 36       | 25110914/0  | BUSSOLA   | BUSH                                      | DOUILLE  | 2                        |
| 37       | 12712002/0  | VITE  | SCREW                                     | VIS  | 2                        |
| 38       | 25545520/2  | PALETTA   | PADDLE                                    | PALETTE  | 2                        |
| 39       | 19440059/0  | MOTORIDUTTORE PALETTE                                     | PADDLE MOTOR                              | MOTOREDUCTEUR PALETTES                                   | 1                        |
| 40       | 25725433/0  | SUPPORTO MOTORIDUTTORE                                    | PADDLE MOTOR SUPPORT                      | SUPPORTMOTOREDUCTEUR PALETTES                            | 1                        |
| 42       | 25525419/0  | SUPPORTO  | SUPPORT                                   | SUPPORT  | 1                        |
| 44       | 19410209/0  | MICROIMPULSI  | MICRO                                     | MICRO  | 1                        |
| 47       | 81409179/0  | ASS. MICROGALLEGGIANTE                                    | MICRO/ FLOAT BALL ASS'Y                   | ENSEMBLE MICRO/ FLOTTEUR                                 | 1                        |
| 54       | 25300000/0  | RACCORDO ENTRATA ACQUA                                    | WATER INLET TUB                           | TUYAU ENTREE EAU   | 1                        |
| 58       | 25791018/0  | TUBO  | TUBE                                      | TUYAU  | 1                        |
| 59       | 19280700/0  | FASCETTA  | CLAMP                                     | BANDE  | 1                        |
| 60       | 25820083/0  | VASCHETTA   | PAN                                       | BAC  | 1                        |
| 63       | 25780153/0  | TUBO SCARICO  | DRAIN PIPE                                | TUYAU D'ECOULEMENT                                       | 1                        |
| 64       | 25030004/0  | ALBERO BACINELLA  | SHAFT                                     | ARBRE  | 1                        |
| 64A      | 25030021/0  | ALBERO BACINELLA<br>(DA APRILE 2000)                      | SHAFT<br>(FROM APRIL 2000)                | ARBRE<br>(DEPUIS AVRIL 2000)                             | 1                        |



001.2

| Pos.<br>Nr. | Codice<br>Code | Descrizione                        | Description                    | Description                        | Quantità<br>Q.ty<br>Q.te |
|-------------|----------------|------------------------------------|--------------------------------|------------------------------------|--------------------------|
| 1           | 25114006/0     | BASAMENTO                          | BASE                           | CHASSIS                            | 1                        |
| 2/A         | 19165497/0     | COMPRESSORE GL45 TB (R 134A)       | COMPRESSOR GL45 TB (R 134A)    | COMPRESSEUR GL45 TB (R 134A)       | 1                        |
| 2/B         | 19180464/0     | CONDENSATORE DI SPUNTO R 134A      | START CONDENSER R 134A         | CONDENSATEUR DE DEMARRAGE R 134A   | 1                        |
| 2/C         | 19618001/0     | RELÉ R 134A                        | RELAY R 134A                   | RELAIS R 134A                      | 1                        |
| 2/D         | 19560131/0     | PROTETTORE R 134A                  | PROTECTOR R 134A               | PROTECTION R 134A                  | 1                        |
| 3           | 19864900/0     | VALVOLINA DI CARICA                | CHARGE VALVE                   | VANNE DE CHARGE                    | 1                        |
| 11          | 25690806/0     | SCARICO H <sub>2</sub> O MACCHINA  | WATER DRAIN PIPE               | ECOULEMENT D'EAU                   | 1                        |
| 15          | 33320521/0     | FISSACAVO                          | CABLE FASTNER                  | FIXATION DU CABLE                  | 1                        |
| 18          | 19863033/0     | VALVOLA GAS                        | GAS VALVE                      | VANNE DE GAZ                       | 1                        |
| 20          | 19300802/0     | FILTRO DISIDRATORE R 134A          | DRIER R 134A                   | FILTRE DESHYDRATEUR R 134A         | 1                        |
| 21          | 19177509/0     | CONDENSATORE R 134A                | CONDENSER R 134A               | CONDENSATEUR R 134A                | 1                        |
| 27          | 18562503/0     | ELETTROVENTILATORE                 | FAN MOTOR                      | VENTILATEUR                        | 1                        |
| 32          | 81408421/0     | ASS. SCAMBIATORE - R 134A          | EXCHANGER ASS'Y - R 134A       | ECHANGEUR - R 134A                 | 1                        |
| 33          | 25726327/0     | SUPPORTO                           | SUPPORT                        | SUPPORT                            | 1                        |
| 34          | 19865502/0     | ELETTROVALVOLA H <sub>2</sub> O    | ELECTRO VALVE H <sub>2</sub> O | ELECTRO VANNE EAU H <sub>2</sub> O | 1                        |
| 36          | 19810111/0     | ASS. TUBO ENTRATA H <sub>2</sub> O | WATE INLET TUBE ASS'Y          | ASS. TUYAU ENTREE EAU              | 1                        |
| 36A         | 19810114/0     | TUBO SCARICO H <sub>2</sub> O      | DRAIN PIPE                     | TUYAU DE DECHARG                   | 1                        |
| 37          | 25726326/0     | SUPPORTO CABLAGGIO                 | CABLE SUPPORT                  | SUPPORT ELECTRIQUE                 | 1                        |
| 39          | 25690230/0     | SCATOLA CABLAGGIO                  | CABLE BOX                      | BOITER ELECTRIQUE                  | 1                        |
| 40          | 2516705/0      | COPERCHIO SCATOLA CABLAGGIO        | CABLE BOX PLUG                 | COUVERCLE BOITER                   | 1                        |
| 44          | 33489251/0     | MORSETTIERA                        | TERMINAL BOARD                 | BLOC DE RACCORDEMENT               | 1                        |
| 46          | 19797017/0     | TERMOSTATO DEPOSITO                | BIN THERMOSTAT                 | THERMOSTAT CONTENEUR               | 1                        |
| 47          | 19620107/0     | RELÈ                               | RELAY                          | RELAIS                             | 1                        |



| Pos.<br>Nr. | Codice<br>Code | Descrizione                               | Description                                  | Description                           | Quantità<br>Q.ty<br>Q.te |
|-------------|----------------|---|--|---------------------------------------|--------------------------|
| 1           | 25114006/0     | BASAMENTO                                 | BASE   | CHASSIS                               | 1                        |
| 2M          | 19165497/0     | COMPRESSORE GL45TB (R 134a)               | COMPRESSOR (R 134a)                          | COMPRESSEUR (R 134a)                  | 1                        |
| 2N          | 19180464/0     | CONDENSATORE DI SPUNTO (R 134a)           | START CONDENSER (R 134a)                     | CONDENSATEUR DE DEMARRAGE (R 134a)    | 1                        |
| 2O          | 19618001/0     | RELÈ (R 134a)                             | RELAY (R 134a)                               | RELAIS (R 134a)                       | 1                        |
| 2P          | 19560131/0     | PROTETTORE (R 134a)                       | PROTECTOR (R 134a)                           | PROTECTION (R 134a)                   | 1                        |
| 3           | 19864900/0     | VALVOLINA DI CARICA                       | CHARGE VALVE                                 | VANNE DE CHARGE                       | 1                        |
| 11          | 25690806/0     | SCARICO H <sub>2</sub> O MACCHINA         | WATER DRAIN PIPE                             | ECOULEMENT D'EAU                      | 1                        |
| 18          | 19863033/0     | VALVOLA GAS                               | GAS VALVE                                    | VANNE DE GAZ                          | 1                        |
| 20          | 19300802/0     | FILTRO DISIDRATATORE (R 134a)             | DRIER (R 134a)                               | FILTRE DESHYDRATEUR (R 134a)          | 1                        |
| 21          | 81407536/0     | CONDENSATORE - R 134a                     | CONDENSER - R 134a                           | CONDENSATEUR - R 134a                 | 1                        |
| 29          | 81418216/0     | ASS. TUBO RACCORDO H <sub>2</sub> O       | WATER TUBE ASS'Y H <sub>2</sub> O            | TUYAU RACCORD EAU                     | 2                        |
| 30          | 19550372/0     | PRESSOSTATO PER VALVOLA<br>ACQUA (R 134a) | PRESSURE CONTROL FOR<br>WATER VALVE (R 134a) | PRESSOSTAT POUR<br>VANNE EAU (R 134a) | 1                        |
| 32          | 81408422/0     | ASS. SCAMBIATORE (R 134a)                 | EXCHANGER ASS'Y (R 134a)                     | ECHANGEUR (R 134a)                    | 1                        |
| 33          | 25726327/0     | SUPPORTO ELETTRICO VALVOLA                | ELECTROVALVE SUPPORT                         | SUPPORT ELECTRO VANNE                 | 1                        |
| 34          | 19865530/0     | ELETTRICO VALVOLA H <sub>2</sub> O R 134a | ELECTRO VALVE H <sub>2</sub> O R 134a        | ELECTRO VANNE EAU R 134a              | 1                        |
| 36          | 19810111/0     | ASS. TUBO ENTRATA H <sub>2</sub> O        | WATE INLET TUBE ASS'Y                        | ASS. TUYAU ENTREE EAU                 | 1                        |
| 36A         | 19810114/0     | TUBO SCARICO H <sub>2</sub> O             | DRAIN PIPE                                   | TUYAU DE DECHARGE                     | 1                        |
| 37          | 25726326/0     | SUPPORTO CABLAGGIO                        | CABLE SUPPORT                                | SUPPORT ELECTRIQUE                    | 1                        |
| 39          | 25690230/0     | SCATOLA CABLAGGIO                         | CABLE BOX                                    | BOITER ELECTRIQUE                     | 1                        |
| 40          | 25160705/0     | COPERCHIO SCATOLA CABLAGGIO               | CABLE BOX PLUG                               | COUVERCLE BOITER                      | 1                        |
| 44          | 33489251/0     | MORSETTIERA                               | TERMINAL BOARD                               | BLOC DE RACCORDEMENT                  | 1                        |
| 46          | 19797017/0     | TERMOSTATO DEPOSITATO                     | BIN THERMOSTAT                               | THERMOSTAT CONTENEUR                  | 1                        |
| 46A         | 19797023/0     | TERMOSTATO DI SICUREZZA                   | SAFETY THERMOSTAT                            | THERMOSTAT DE SECURITÉ                | 1                        |
| 47          | 19620107/0     | RELÈ                                      | RELAY  | RELAIS                                | 1                        |
| 48          | 19350158/0     | GUARNIZIONE                               | GAS KET                                      | GARNITURE                             | 2                        |

**Зип Общепит**

**vsezip.ru**

**+7(812)987-08-81**



Зип Общепит  
vsezip.ru  
+7(812)987-08-81

# Icematic®

Spare parts list • *Catalogo ricambi*  
Catalogues pièces détachées

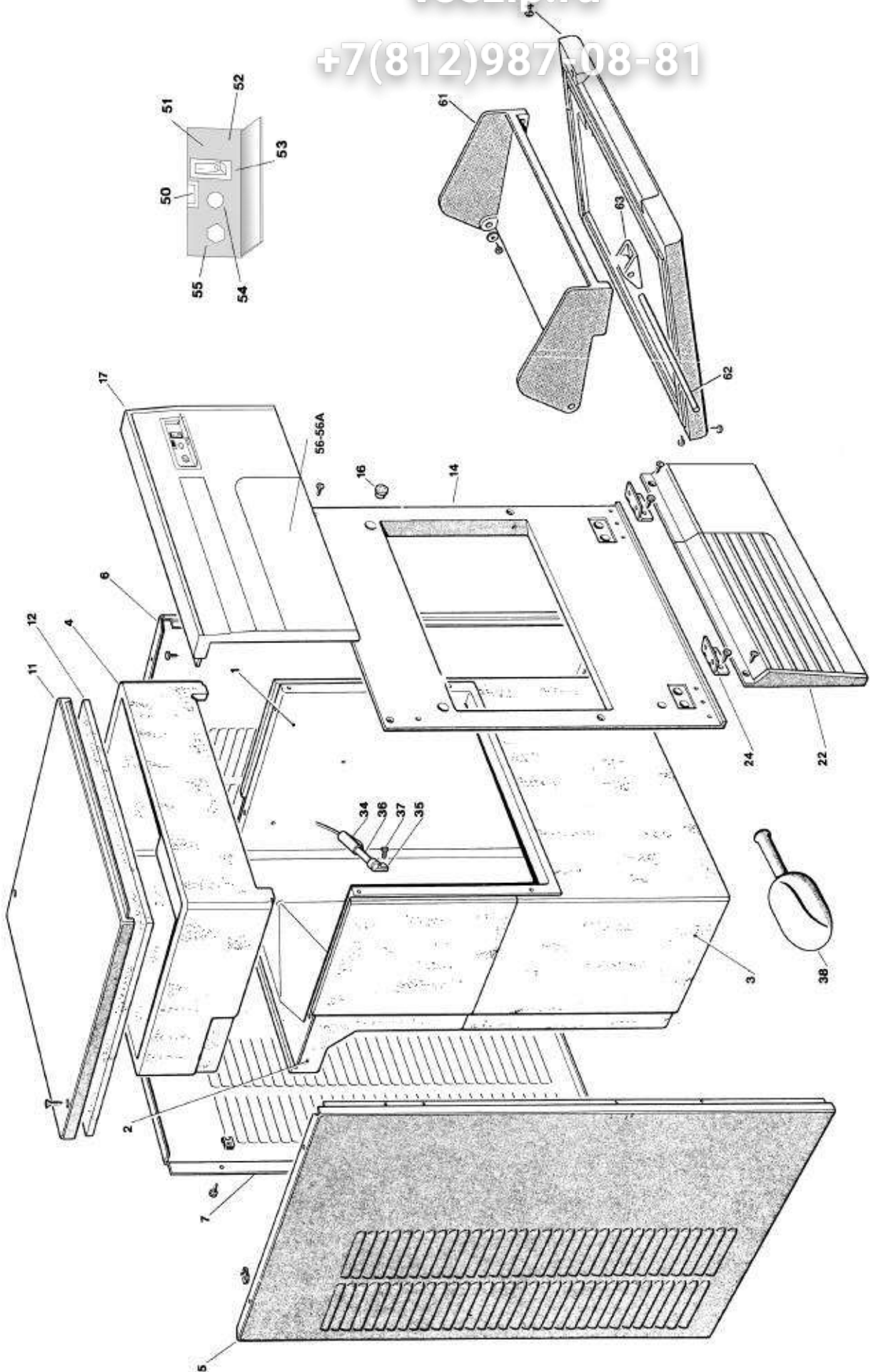
---



Cod. 71503398/0 - 12/2006

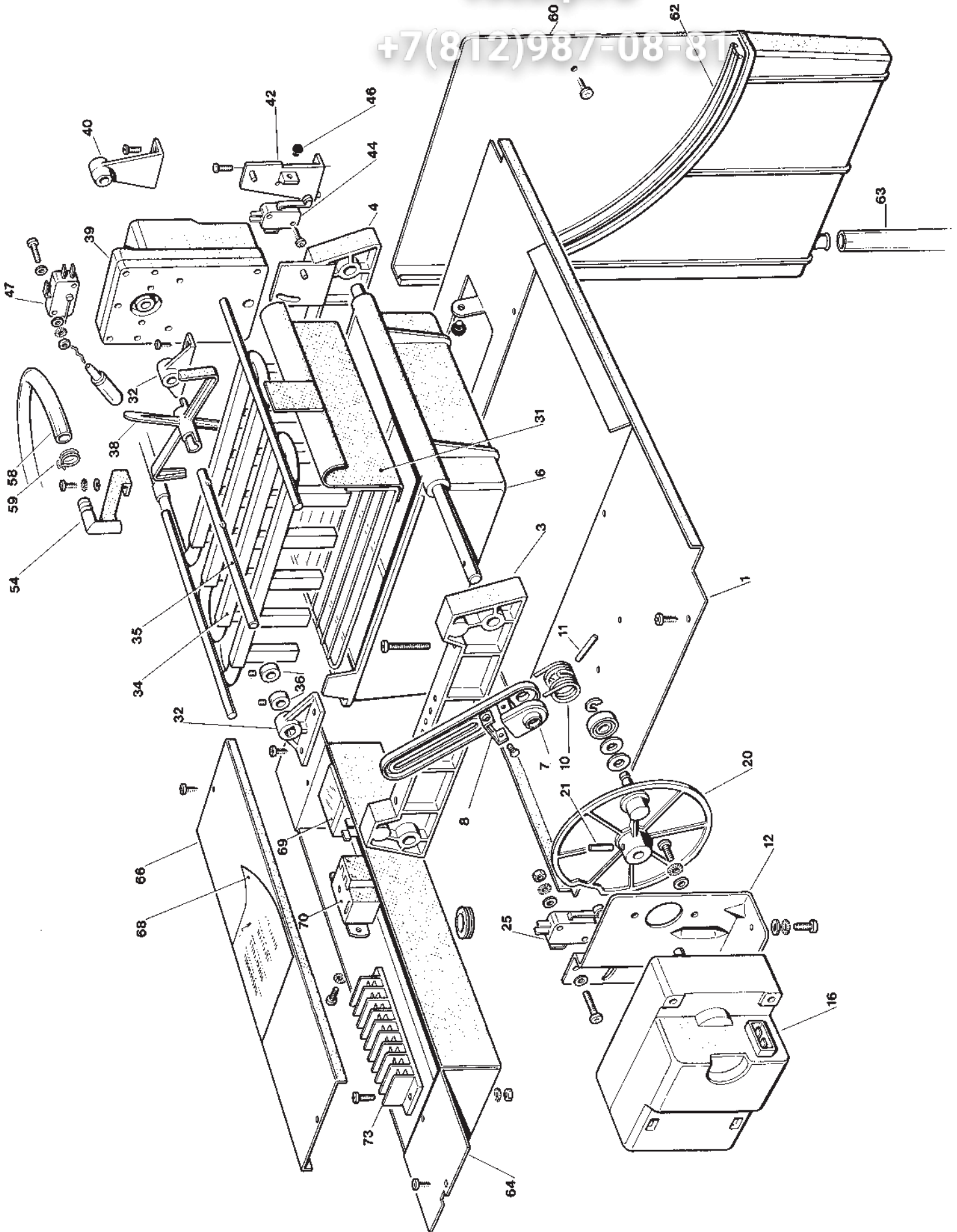
# N35S

R134a



**+7(812)987-08-81**

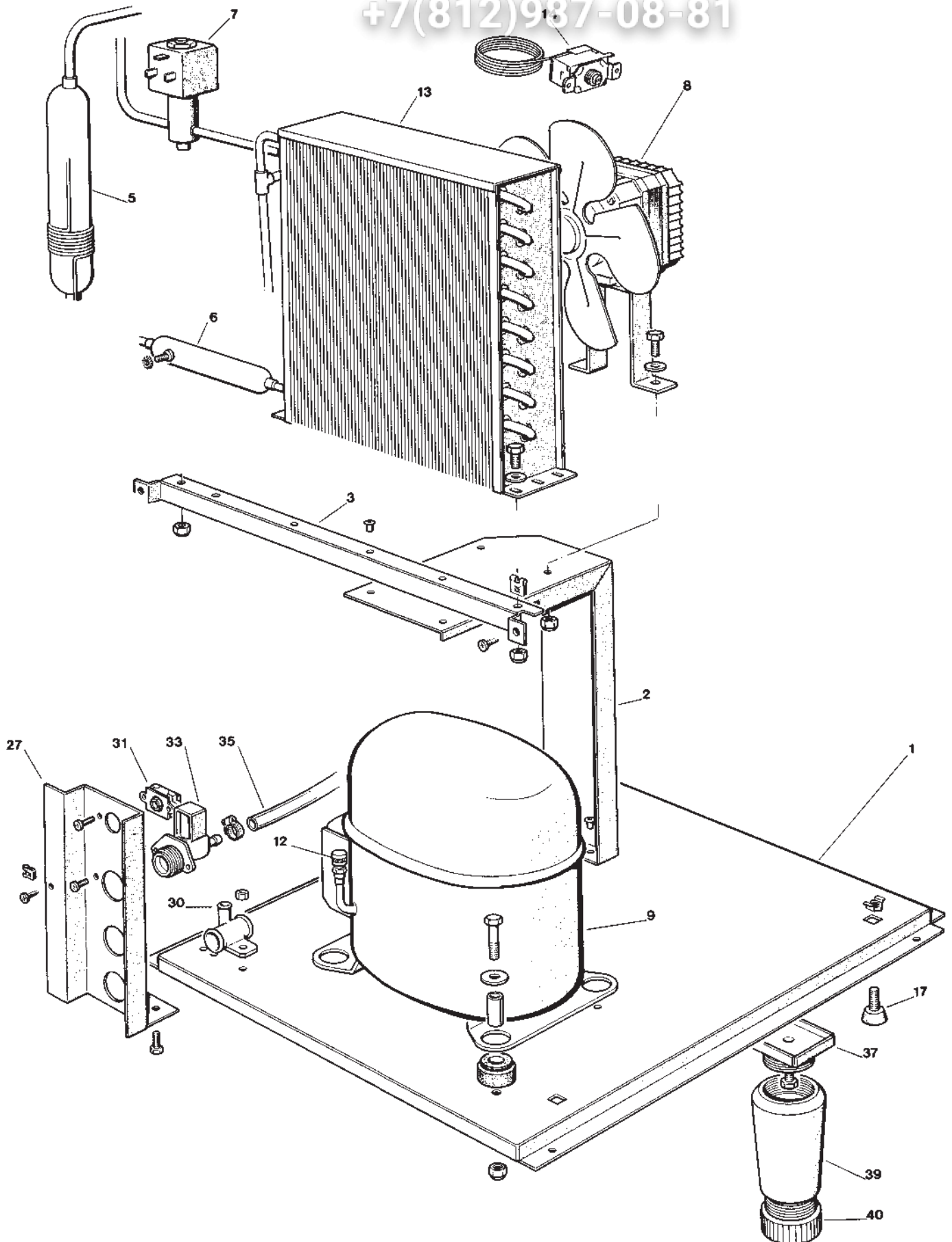
| Pos.<br>Nr. | Codice<br>Code | Descrizione                    | Description                               | Description                                       | Quantità<br>Q.ty<br>Q.te |
|-------------|----------------|--------------------------------|---|---|--------------------------|
| 1           | 81401000/0     | ASSIEME CONTENITORE            | ICE BIN                                   | ENESEMBLE   | 1                        |
| 2           | 81401000/0     | ASSIEME CONTENITORE            | ICE BIN                                   | ENESEMBLE   | 1                        |
| 3           | 81401000/0     | ASSIEME CONTENITORE            | ICE BIN                                   | ENESEMBLE   | 1                        |
| 4           | 25088202/0     | ANELLO ISOLANTE                | INSULATOR                                 | ISOLANT   | 1                        |
| 5           | 25330190/Q     | FIANCO SINISTRO                | LEFT SIDE                                 | PANNEAU GAUCHE                                    | 1                        |
| 5A          | 25330725/0     | FIANCO SINISTRO INOX           | LEFT SIDE INOX                            | PANNEAU GAUCHE INOX                               | 1                        |
| 6           | 25331089/Q     | FIANCO DESTRO                  | RIGHT SIDE                                | PANNEAU DROITE                                    | 1                        |
| 6A          | 25330724/0     | FIANCO DESTRO INOX             | RIGHT SIDE INOX                           | PANNEAU DROITE INOX                               | 1                        |
| 7           | 25547143/0     | PANNELLO POSTERIORE            | BACK PANEL                                | PANNEAU ARRIERE                                   | 1                        |
| 7A          | 25550339/0     | PANNELLO POSTERIORE INOX       | BACK PANEL INOX                           | PANNEAU ARRIERE INOX                              | 1                        |
| 11          | 25160618/0     | COPERCHIO                      | COVER                                     | COUVERCLE   | 1                        |
| 11A         | 25161107/0     | COPERCHIO INOX                 | COVER INOX                                | COUVERCLE INOX                                    | 1                        |
| 12          | 25550068/0     | PANNELLO ISOLANTE              | INSULATOR PANEL                           | PANNEAU ISOLANT                                   | 1                        |
| 14          | 25165499/0     | CORNICE                        | FRAME                                     | CORNICHE  | 1                        |
| 16          | 41109519/0     | MAGNETE                        | MAGNET                                    | MAGNETO   | 2                        |
| 17          | 25175226/0     | CRUSCOTTO                      | FRONT PANEL                               | PANNEAU FRONTAL                                   | 1                        |
| 21          | 25740063/0     | ETICHETTA                      | LABEL                                     | ETIQUETTE   | 1                        |
| 22          | 25610103/0     | PRESA D'ARIA                   | PANEL                                     | PANNEAU   | 1                        |
| 24          | 19120050/0     | CERNIERA                       | HINGE                                     | CHARNIERE   | 2                        |
| 34          | 25726141/0     | SUPPORTO SUPERIORE             | SUPPORT                                   | SUPPORT   | 1                        |
| 35          | 25726140/0     | SUPPORTO ANTERIORE             | SUPPORT                                   | SUPPORT   | 1                        |
| 36          | 19797017/0     | TERMOSTATO DEPOSITO            | BIN THERMOSTAT                            | THERMOSTAT CONTENEUR                              | 1                        |
| 38          | 19500100/0     | PALETTA                        | ICE SCOOP                                 | PELLE A GLACE                                     | 1                        |
| -           | 19810111/0     | ASS. TUBO ALIMENTAZIONE ACQUA  | WATER INLET TUBE                          | TUYAU ENTREE EAU                                  | 1                        |
| -           | 19350158/0     | GUARNIZIONE PER TUBO           | GASKET                                    | GARNITURE   | 2                        |
| 50          | 19120434/0     | CHIUSURA PUSH                  | PUSH LOCK                                 | FERMETURE "PUSH"                                  | 1                        |
| 51          | 33400053/0     | INTERRUTTORE LUMINOSO VERDE    | GREEN LIGHT SWITHC                        | INTERRUPTEUR LUMINEUX VERT                        | 1                        |
| 52          | 25570459/0     | PIASTRA SUPP. COM. AIR VERSION | CONTROL SUP. PLATE FOR AIR COOLED VERS.   | PLAQUE SUPPORT COMMANDES - VERS. AVEC COND. À AIR | 1                        |
| 52A         | 25570460/0     | PIASTRA SUPP. COM. WATER VERS. | CONTROL SUP. PLATE FOR WATER COOLED VERS. | PLAQUE SUPPORT COMMANDES - VERS. AVEC COND. À EAU | 1                        |
| 53          | 25161138/0     | COPERCHIO COMANDI              | COVER BOX CONTROL                         | COUVERCLE   | 1                        |
| 54          | 33470507/0     | SPIA LUMINOSA ROSSA            | RED LIGHT ALLARM                          | ALARME LUMINEUX ROUGE                             | 1                        |
| 56          | 25352502/0     | FRONTALINO PER VERSIONE BLU    | FRONTAL PANEL FOR BLUE VERS.              | PETIT PANNEAU FRONTAL VERSION BLEUE               | 1                        |
| 56A         | 25352503/0     | FRONTALINO PER VERSIONE INOX   | FRONTAL PANEL FOR STAINLESS STEEL VERS.   | PETIT PANNEAU FRONTAL VERSION INOX                | 1                        |
| 61          | 25260472/0     | DEFLETTORE (N.V. 1997)         | DOOR DEFLECTOR (N.V. 1997)                | DEFLECTEUR (N.V. 1997)                            | 1                        |
| 62          | 25030019/0     | ALBERINO                       | SHAFT                                     | ARBRE   | 1                        |
| 63          | 25726279/0     | SUPPORTO                       | SUPPORT                                   | SUPPORT   | 2                        |
| 64          | 81401650/0     | ASSIEME PORTA                  | COMPLETE DOOR                             | PORTE COMPLETE                                    | 1                        |
| 64A         | 25600188/0     | PORTA                          | DOOR                                      | PORTE   | 1                        |





**+7(812)987-08-81**

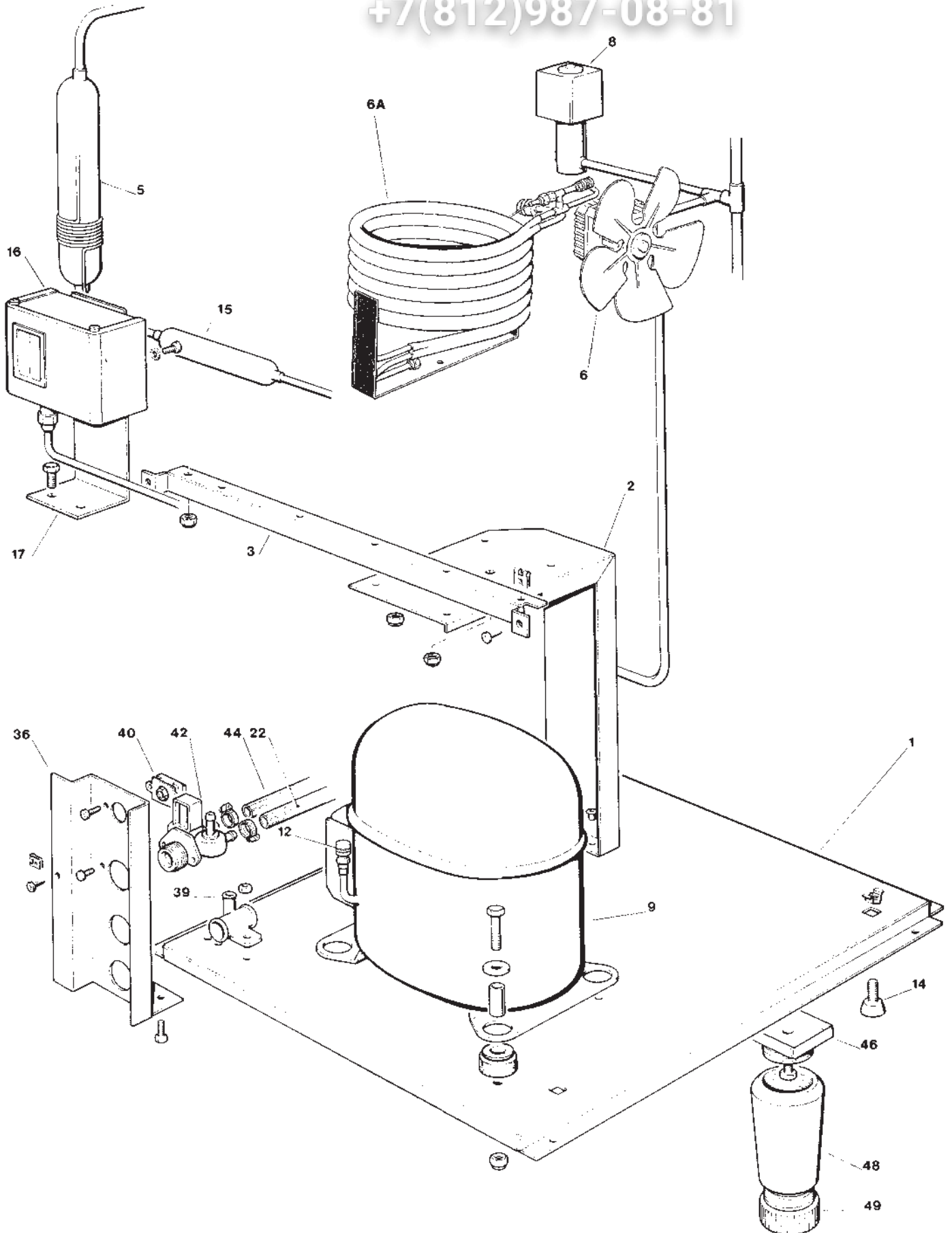
| Pos. Nr. | Codice Code | Descrizione   | Description                             | Description   | Quantità<br>Q.ty<br>Q.te |
|----------|-------------|---|---|---|--------------------------|
| 1        | 25745125/0  | TELAIO  | EVAPORATOR FRAME                        | SUPPORT DE L'EVAPORATEUR                                | 1                        |
| 3        | 25726121/0  | SUPPORTO EVAPORATORE                                    | SUPPORT                                 | SUPPORT   | 1                        |
| 4        | 25726122/0  | SUPPORTO EVAPORATORE                                    | SUPPORT                                 | SUPPORT   | 1                        |
| 6        | 81403007/0  | ASS. BACINELLA CON LEVA                                 | PAN ASS'Y                               | ENSEMBLE CUVETTE  | 1                        |
| 7        | 25440110/0  | LEVA  | LEVER                                   | LEVIER  | 1                        |
| 8        | 25325953/1  | PIASTRINA   | STOP PLATE                              | PLAQUETTE D'ARRÊT                                       | 1                        |
| 10       | 25474600/0  | MOLLA   | SPRING                                  | RESSORT   | 1                        |
| 11       | 25560256/0  | PERNO   | GUDGEON                                 | PIVOT   | 1                        |
| 12       | 25725429/0  | SUPPORTO  | SUPPORT                                 | SUPPORT   | 1                        |
| 16C      | 81404024/0  | ASSIEME MOTORIDUTTORE/ DISCO/<br>SUPPORTO/ MICRO R-134a | MOTOR/SUPPORT/CAM MICRO<br>ASS'Y R-134a | ENSEMBLE MOTOREDUCTEUR/<br>SUPPORT/ CAME/ MICRO R.-134a | 1                        |
| 20       | 25260000/0  | DISCO   | CAM                                     | CAME  | 1                        |
| 21       | 12639300/0  | SPINA   | PIN                                     | GOUPILLE  | 1                        |
| 25       | 19410208/0  | MICRO   | MICRO                                   | MICRO   | 1                        |
| 31       | 81403025/0  | CONVOGLIATORE   | DEFLECTOR                               | CONVOYEUR   | 1                        |
| 32       | 25726115/3  | SUPPORTO ALBERO PALETTE                                 | PADDLE SHAFT SUPPORT                    | SUPPORT ARBRE PALETTES                                  | 2                        |
| 34       | 81402035/0  | EVAPORATORE R 134a                                      | EVAPORATOR R 134a                       | EVAPORATEUR R 134a                                      | 1                        |
| 35       | 25030007/0  | ALBERO PALETTE  | PADDLE SHAFT                            | ARBRE PALETTES  | 1                        |
| 36       | 25110914/0  | BUSSOLA   | BUSH                                    | DOUILLE   | 2                        |
| 38       | 25545520/2  | PALETTA   | PADDLE                                  | PALETTE   | 3                        |
| 39       | 19440059/0  | MOTORIDUTTORE PALETTE                                   | PADDLE MOTOR                            | MOTOREDUCTEUR DES PALETTES                              | 1                        |
| 40       | 25725433/0  | SUPPORTO MOTORIDUTTORE<br>PALETTE                       | SUPPORT                                 | SUPPORT   | 1                        |
| 42       | 25525419/0  | SUPPORTO  | SUPPORT                                 | SUPPORT   | 1                        |
| 44       | 19410209/0  | MICROIMPULSI  | MICRO                                   | MICRO   | 1                        |
| 47       | 81409179/0  | ASS. MICROGALLEGGIANTE                                  | MICRO/ FLOAT BALL ASS'Y                 | ENSEMBLE MICRO/ FLOTTEUR                                | 1                        |
| 54       | 25300000/0  | RACCORDO ENTRATA ACQUA                                  | WATER INLET TUB                         | TUYAU ENTREE EAU  | 1                        |
| 58       | 25791021/0  | TUBO ACQUA  | TUBE                                    | TUYAU   | 1                        |
| 59       | 19280700/0  | FASCETTA  | CLAMP                                   | BANDE   | 1                        |
| 60       | 25820080/0  | VASCHETTA RECUPERO                                      | PAN                                     | BAC   | 1                        |
| 63       | 25791020/0  | TUBO SCARICO  | DRAIN PIPE                              | TUYAU D'ECOULEMENT                                      | 1                        |
| 64       | 25690223/0  | SCATOLA CABLAGGIO                                       | ELECTRICAL BOX                          | BOITIER ELECTRIQUE                                      | 1                        |
| 66       | 25160619/0  | COPERCHIO   | COVER                                   | COUVERCLE   | 1                        |
| 69       | 19620107/0  | RELÈ  | RELAY                                   | RALIS   | 1                        |
| 70       | 19797017/0  | TERMOSTATO DEPOSITO                                     | BIN THERMOSTAT                          | THERMOSTAT CONTENEUR                                    | 1                        |
| 70A      | 19797025/0  | TERMOSTATO VENTILATORE                                  | FAN THERMOSTAT                          | THERMOSTAT VENTILATEUR                                  | 1                        |
| 73       | 33489251/0  | MORSETTIERA   | TERMINAL BOARD                          | BLOC DE RACCORDEMENTE                                   | 1                        |





+7(812)987-08-81

| Pos.<br>Nr. | Codice<br>Code | Descrizione                   | Description           | Description                     | Quantità<br>Q.ty<br>Q.te |
|-------------|----------------|-------------------------------|-----------------------|---------------------------------|--------------------------|
| 1           | 25110079/0     | BASAMENTO                     | BASE                  | CHASSIS                         | 1                        |
| 2           | 25725434/0     | SUPPORTO                      | SUPPORT               | SUPPORT                         | 1                        |
| 3           | 25725435/0     | SUPPORTO                      | SUPPORT               | SUPPORT                         | 1                        |
| 5           | 81408076/0     | ASSIEME SCAMBIATORE R134A     | EXCHANGER ASS'Y R134a | ECHANGEUR R134a                 | 1                        |
| 6A          | 19300802/0     | FILTRO R134a                  | DRIER R134a           | DESHYDRATEUR R134a              | 1                        |
| 7           | 19863033/0     | VALVOLA GAS                   | GAS VALVE             | VANNE DE GAZ                    | 1                        |
| 8           | 18562496/0     | ELETTOVENTILATORE             | FAN MOTOR             | VENTILATEUR                     | 1                        |
| 8A          | 18740023/0     | VENTOLA PER ELETTOVENTILATORE | FAN BLADE             | HELICE POUR VENTILATEUR         | 1                        |
| 9           | 19165548/0     | COMPRESSORE GL90TB - R134a    | COMPRESSOR R 134a     | COMPRESSOR R 134a               | 1                        |
| 9A          | 19560132/0     | PROTETTORE R134a              | PROTECTION R134a      | PROTECTEUR R134a                | 1                        |
| 9B          | 19618003/0     | RELÉ R134a                    | RELAY R134a.          | RELAIS R134a                    | 1                        |
| 9C          | 19180464/0     | CONDENSATORE DI SPUNTO R134a  | START CONDENSER R134a | CONDENSATEUR DE DEMARRAGE R134a | 1                        |
| 12          | 19864900/0     | VALVOLA DI CARICA             | CHARGE VALVE          | VANNE DE CHARGE                 | 1                        |
| 13          | 19177046/0     | CONDENSATORE                  | CONDENSER             | CONDENSEUR                      | 1                        |
| 14          | 19797025/0     | TERMOSTATO VENTILATORE        | FAN THERMOSTAT        | THERMOSTAT VENTILATEUR          | 1                        |
| 17          | 81502119/0     | PIEDINO STANDARD              | STANDARD FOOT         | PIED STANDARD                   | 4                        |
| 27          | 25725438/0     | SUPPORTO                      | SUPPORT               | SUPPORT                         | 1                        |
| 30          | 25690806/0     | SCARICO ACQUA                 | WATER DRAIN PIPE      | ECOULEMENT MACHINE              | 1                        |
| 31          | 33320523/0     | FISSACAVO                     | CLAMP                 | BANDE                           | 1                        |
| 33          | 19865502/0     | ELETTOVALVOLA ACQUA           | WATER SOLENOID VALVE  | ELECTROVANNE EAU                | 1                        |
| 35          | 25791021/0     | TUBO ACQUA                    | TUBE                  | TUYAU                           | 1                        |
| 37          | 81400690/0     | SUPPORTO                      | SUPPORT               | SUPPORT                         | 4                        |
| 39          | 25460020/0     | MANICOTTO PER PIEDINO         | COUPLING              | RALLONGE PIED                   | 4                        |
| 40          | 25570870/0     | PIEDINO                       | LEVELLING FOOT        | PIED                            | 4                        |



|     |            |  |  |                                     |   |
|-----|------------|--|--|-------------------------------------|---|
| 1   | 25110079/0 | BASAMENTO                              | BASE                                       | CHASSIS                             | 1 |
| 2   | 25725434/0 | SUPPORTO                               | SUPPORT                                    | SUPPORT                             | 1 |
| 3   | 25725435/0 | SUPPORTO                               | SUPPORT                                    | SUPPORT                             | 1 |
| 5   | 81408076/0 | ASS. SCAMBIATORE R 134a                | EXCHANGER ASS" / R 134a                    | ECHANGEUR R 134a                    | 1 |
| 6   | 18562431/0 | VENTILATORE                            | FAN MOTOR                                  | VENTILATEUR                         | 1 |
| 6A  | 81401593/0 | CONDENSATORE                           | CONDENSER                                  | CONDENSATEUR                        | 1 |
| 7   | 19864900/0 | VALVOLA DI CARICA                      | CHARGE VALVE                               | VANNE DE CHARGE                     | 1 |
| 8   | 19863033/0 | VALVOLA GAS                            | GAS VALVE                                  | VANNE DE GAZ                        | 1 |
| 9E  | 19165548/0 | COMPRESSORE GL 90TB-R134a              | COMPRESSOR GL 90TB-R134a                   | COMPRESSEUR GL 90TB-R134a           |   |
| 9F  | 19560132/0 | PROTETTORE R134a                       | PROTECTION R134a                           | PROTECTEUR                          | 1 |
| 9G  | 19618003/0 | RELÉ R134a                             | RELAY R134a                                | RELAIS R134a                        | 1 |
| 9H  | 19180464/0 | CONDENSATORE DI SPUNTO R134a           | START CONDENSER R134a.                     | CONDENSATEUR DE DEMARRAGE R134a     | 1 |
| 12  | 19864900/0 | VALVOLA DI CARICA                      | CHARGE VALVE                               | VANNE DE GAZ                        | 1 |
| 14  | 81502119/0 | PIEDINO STANDARD                       | STANDARD FOOT                              | PIED STANDARD                       | 4 |
| 15A | 19300802/0 | FILTRO R134a                           | DRIER R134a                                | DESHYDRATEUR R134a                  | 1 |
| 16  | 19550372/0 | PRESSOSTATO PER VALVOLA<br>ACQUA R134a | PRESSURE CONTROL FOR<br>WATER VALVE R 134a | PRESSOSTAT POUR VANNE EAU<br>R 134a | 1 |
| 17  | 25725437/0 | SUPPORTO                               | SUPPORT                                    | SUPPORT                             | 1 |
| 22  | 38778802/0 | TUBO ACQUA CONDENSATORE                | CONDENSER WATER PIPE                       | TUYAU                               | 1 |
| 26  | 12523040/0 | RONDELLA                               | WASHER                                     | RONDELLE                            | 2 |
| 36  | 25726483/0 | SUPPORTO                               | SUPPORT                                    | SUPPORT                             | 1 |
| 39  | 25690803/0 | SCARICO ACQUA                          | WATER DRAIN PIPE                           | ECOULEMENT MACHINE                  | 2 |
| 40  | 33320523/0 | FISSACAVO                              | CLAMP                                      | BANDE                               | 1 |
| 42  | 19865530/0 | ELETTRIO VALVOLA ACQUA                 | WATER SOLENOID VALVE                       | ELECTROVANNE EAU                    | 1 |
| 44  | 25791021/0 | TUBO ACQUA BACINELLA                   | PAN TUBE                                   | TUYAU EAU BAC                       | 1 |
| 46  | 81400690/0 | SUPPORTO                               | SUPPORT                                    | SUPPORT                             | 4 |
| 48  | 25460020/0 | MANICOTTO PER PIEDINO                  | COUPLING                                   | RALLONGE PIED                       | 4 |
| 49  | 25570870/0 | PIEDINO                                | LEVELLING FOOT                             | PIED                                | 4 |

**Зип Общепит**

**vsezip.ru**

**+7(812)987-08-81**

Зип Общепит  
vsezip.ru  
+7(812)987-08-81

# Icematic®

Spare parts list • *Catalogo ricambi*  
Catalogues pièces détachées

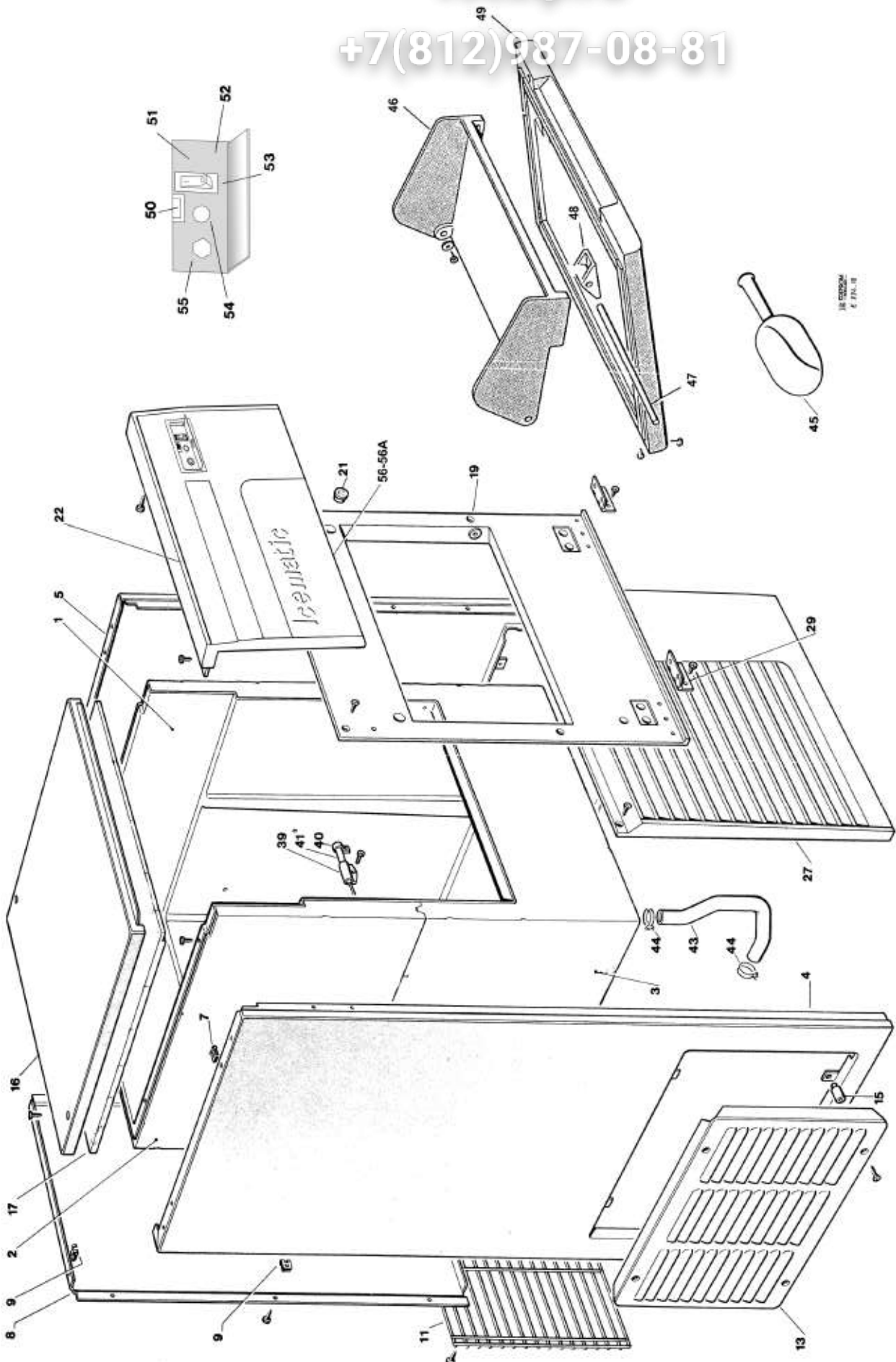
---



Cod. 71503398/0 - 12/2006

# N45S

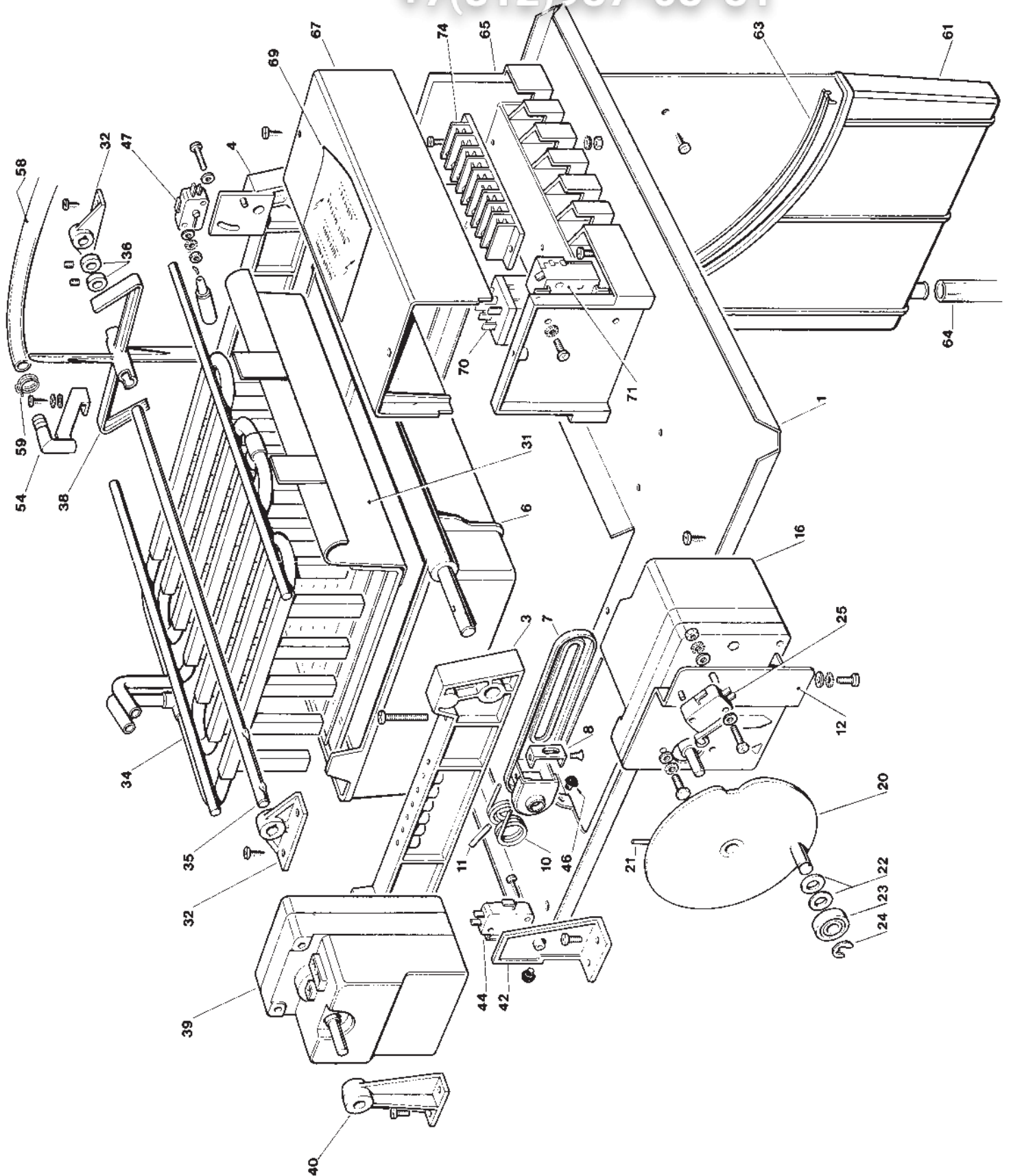
R134a





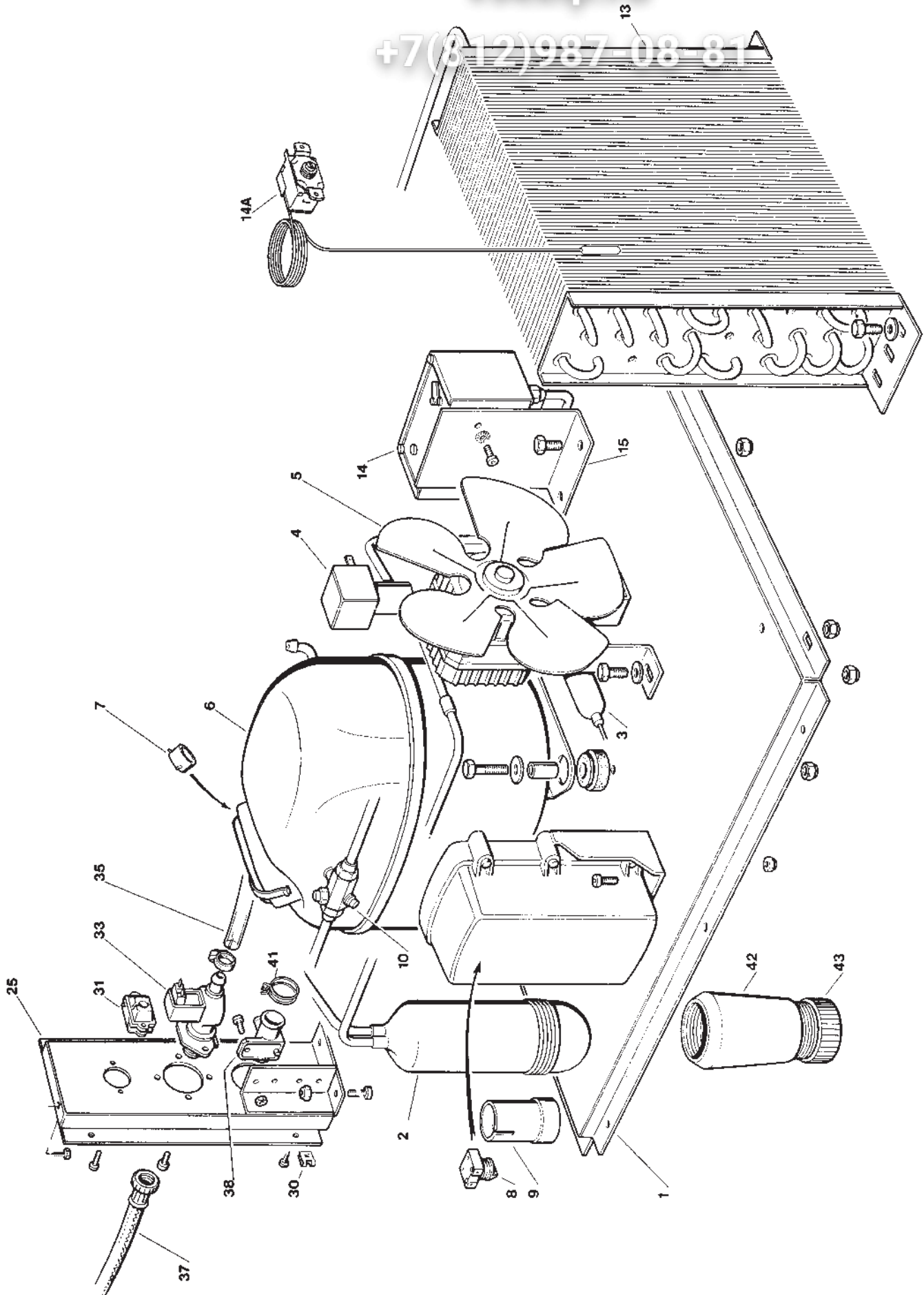
+7(812)987-08-81

| Pos. Nr. | Codice Code | Descrizione                    | Description                               | Description                                       | Quantità Q.ty Q.te |
|----------|-------------|--------------------------------|---|---|--------------------|
| 1        | 81411095/0  | ASSIEME CONTENITORE            | ICE BIN                                   | ENESEMBLE   | 1                  |
| 2        | 81411095/0  | ASSIEME CONTENITORE            | ICE BIN                                   | ENESEMBLE   | 1                  |
| 3        | 81411095/0  | ASSIEME CONTENITORE            | ICE BIN                                   | ENESEMBLE   | 1                  |
| 4        | 25330566/Q  | FIANCO SINISTRO                | LEFET SIDE                                | PANNEAU GAUCHE                                    | 1                  |
| 4A       | 25330570/0  | FIANCO SINISTRO INOX           | LEFET SIDE INOX                           | PANNEAU GAUCHE INOX                               | 1                  |
| 5        | 25330565/Q  | FIANCO DESTRO                  | RIGHT SIDE                                | PANNEAU DROITE                                    | 1                  |
| 5A       | 25330569/0  | FIANCO DESTRO INOX             | RIGHT SIDE INOX                           | PANNEAU DROITE INOX                               | 1                  |
| 7        | 12436400/0  | PIASTRINA                      | PLATE                                     | PLAQUETTE   | 21                 |
| 8        | 25700015/Q  | PANNELLO POSTERIORE            | BACK PANEL                                | PANNEAU POSTERIEUR                                | 1                  |
| 8A       | 25700017/0  | PANNELLO POSTERIORE INOX       | BACK PANEL INOX                           | PANNEAU POSTERIEUR INOX                           | 1                  |
| 9        | 12436400/0  | PIASTRINA                      | PLATE                                     | PLAQUETTE   | 4                  |
| 11       | 25380693/0  | GRIGLIA POSTERIORE             | PACK GRID                                 | GRILLE ARRIERE                                    | 1                  |
| 13       | 25610025/0  | PRESA D'ARIA                   | AIR INTAKE                                | PRISE D'AIR                                       | 2                  |
| 13A      | 25610028/0  | PRESA D'ARIA INOX              | AIR INTAKE INOX                           | PRISE D'AIR INOX                                  | 2                  |
| 15       | 19356001/0  | DISTANZIALE                    | SPACER                                    | ENTRETOISE  | 8                  |
| 16       | 25160618/0  | COPERCHIO                      | COVER                                     | COUVERCLE   | 1                  |
| 16B      | 25161107/0  | COPERCHIO INOX                 | COVER INOX                                | COUVERCLE INOX                                    | 1                  |
| 17       | 25550069/0  | PANNELLO ISOLANTE              | INSULATOR PANEL                           | PANNEAU ISOLANT                                   | 1                  |
| 19       | 25165499/0  | CORNICE                        | FRAME                                     | CORNICHE  | 1                  |
| 21       | 41109519/0  | MAGNETE                        | MAGNET                                    | MAGNETO   | 2                  |
| 22       | 25175226/0  | CRUSCOTTO                      | FRONT PANEL                               | PANNEAU FRONTAL                                   |                    |
| 26       | 25740065/0  | ETICHETTA                      | LABEL                                     | ETIQUETTE   | 1                  |
| 27       | 25610104/0  | PRESA D'ARIA                   | AIR INTAKE                                | PRISE D'AIR                                       | 1                  |
| 29       | 19120050/0  | CERNIERA                       | HINGE                                     | CHARNIERE   | 2                  |
| 37       | 25110913/0  | BUSSOLA                        | BUSH                                      | DOUILLE   | 1                  |
| 39       | 25726141/0  | SUPPORTO TERMOSTATO            | SUPPORT                                   | SUPPORT   | 1                  |
| 40       | 25726140/0  | SUPPORTO TERMOSTATO            | SUPPORT                                   | SUPPORT   | 1                  |
| 41       | 19797017/0  | TERMOSTATO                     | THERMOSTAT                                | THERMOSTAT  | 1                  |
| 43       | 25790621/0  | TUBO SCARICO                   | TUBE                                      | TUYAU   | 1                  |
| 44       | 19281332/0  | FASCETTA                       | CLAMP                                     | BANDE   | 2                  |
| 45       | 19500100/0  | PALETTA                        | ICE SCOOP                                 | PELLE GLACE                                       | 1                  |
| -        | 19810114/0  | TUBO SCARICO MACCHINA          | DRAIN WATER PIPE                          | TUYAU DE DECHARGE MACHINE                         | 1                  |
| 46       | 25260472/0  | DEFLETTORE (N.V. 1997)         | DOOR DEFLECTOR (N.V. 1997)                | DEFLECTEUR (N.V. 1997)                            | 1                  |
| 47       | 25030019/0  | ALBERINO                       | SHAFT                                     | ARBRE   | 1                  |
| 48       | 25726279/0  | SUPPORTO                       | SUPPORT                                   | SUPPORT   | 2                  |
| 49       | 81401650/0  | ASSIEME PORTA (N.V. 1997)      | COMPLETE DOOR (N.V. 1997)                 | PORTE COMPLETE (N.V. 1997)                        | 1                  |
| 49A      | 25600188/0  | PORTA                          | DOOR                                      | PORTE   | 1                  |
| 50       | 19120434/0  | CHIUSURA PUSH                  | PUSH LOCK                                 | FERMETURE "PUSH"                                  | 1                  |
| 51       | 33400053/0  | INTERR. LUMINOSO VERDE         | GREEN LIGHT SWITHC                        | INTERRUPTEUR LUMINEUX VERT                        | 1                  |
| 52       | 25570459/0  | PIASTRA SUPP. COM. AIR VERSION | CONTROL SUP. PLATE FOR AIR COOLED VERS.   | PLAQUE SUPPORT COMMANDES - VERS. AVEC COND. À AIR | 1                  |
| 52A      | 25570460/0  | PIASTRA SUPP. COM. WATER VERS. | CONTROL SUP. PLATE FOR WATER COOLED VERS. | PLAQUE SUPPORT COMMANDES - VERS. AVEC COND. À EAU | 1                  |
| 53       | 25161138/0  | COPERCHIO COMANDI              | COVER BOX CONTROL                         | COUVERCLE   | 1                  |
| 54       | 33470507/0  | SPIA LUMINOSA ROSSA            | RED LIGHT ALLARM                          | ALARME LUMINEUX ROUGE                             | 1                  |
| 55       | 19797028/0  | TERMOSTATO DI SIC. VERS. ACQUA | SAFETY THERMOSTAT WATER VERS.             | THERMOSTAT  | 1                  |
| 56       | 25352502/0  | FRONTALINO PER VERSIONE BLU    | FRONTAL PANEL FOR BLUE VERS.              | PETIT PANNEAU FRONTAL VERSION BLEUE               | 1                  |
| 56A      | 25352503/0  | FRONTALINO PER VERSIONE INOX   | FRONTAL PANEL FOR STAINLESS STEEL VERS.   | PETIT PANNEAU FRONTAL VERSION INOX                | 1                  |



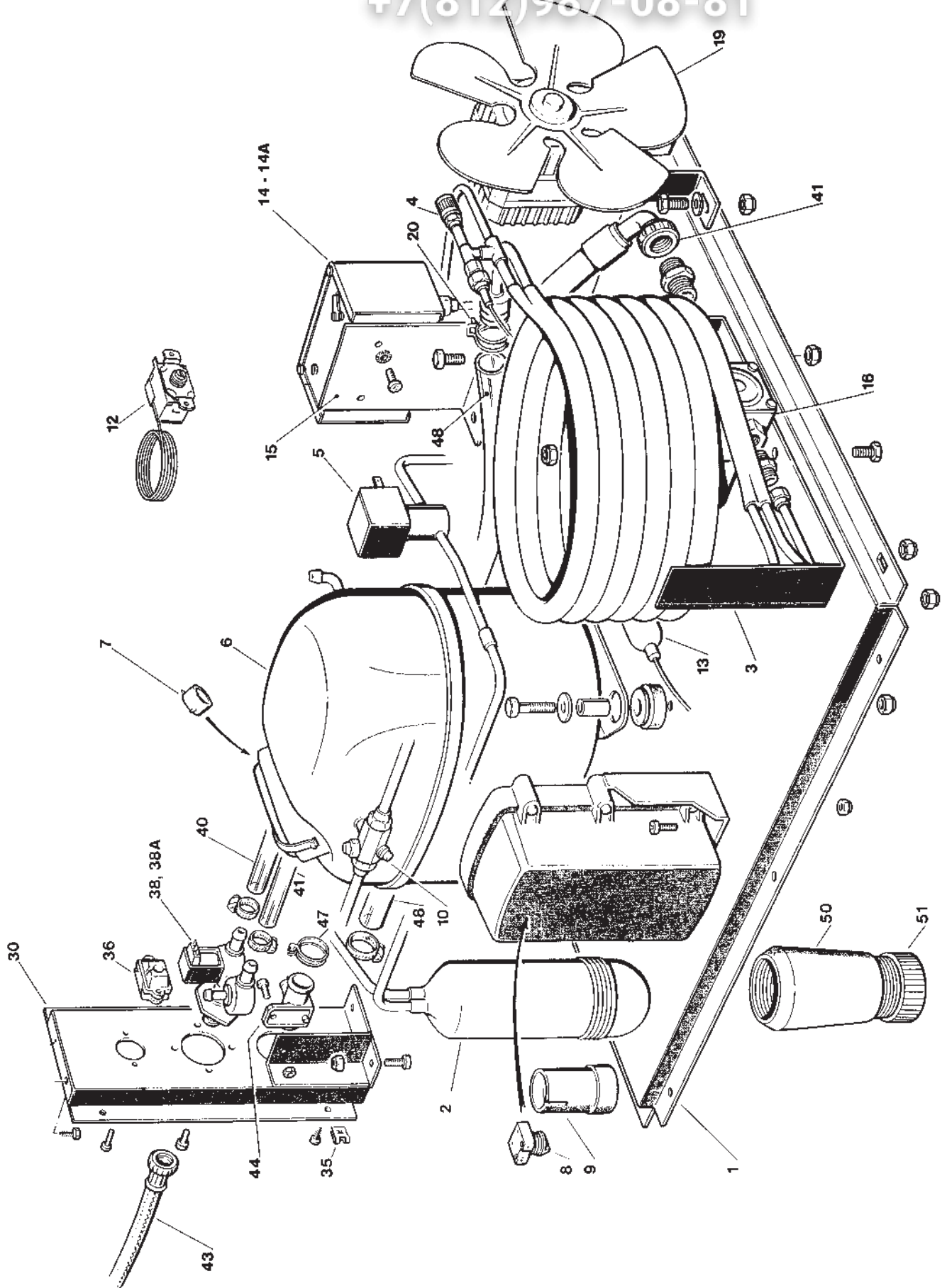
+7(812)987-08-81

| Pos.<br>Nr. | Codice<br>Code | Descrizione                                      | Description                     | Description                                     | Quantità<br>Q.ty<br>Q.te |
|-------------|----------------|--|---------------------------------|---|--------------------------|
| 1           | 25745107/0     | TELAIO EVAPORATORE                               | EVAPORATOR FRAME                | SUPPORT DE L'EVAPORATEUR                        | 1                        |
| 3           | 25726121/0     | SUPPORTO EVAPORATORE                             | SUPPORT                         | SUPPORT   | 1                        |
| 4           | 25726122/0     | SUPPORTO EVAPORATORE                             | SUPPORT                         | SUPPORT   | 1                        |
| 6           | 81413001/0     | ASS. BACINELLA CON LEVA                          | PAN ASS'Y                       | ENSEMBLE CUVETTE                                | 1                        |
| 7           | 25440110/0     | LEVA   | LEVER                           | LEVIER  | 1                        |
| 8           | 25325953/1     | PIASTRINA  | STOP PLATE                      | PLAQUETTE D'ARRÊT                               | 1                        |
| 10          | 25474602/0     | MOLLA  | SPRING                          | RESSORT   | 1                        |
| 11          | 25560256/0     | PERNO  | GUDGEON                         | PIVOT   | 1                        |
| 12          | 25725429/0     | SUPPORTO   | SUPPORT                         | SUPPORT   | 1                        |
| 16          | 81413041/0     | ASSIEME MOTORIDUTTORE/<br>DISCO/ SUPPORTO/ MICRO | MOTOR/SUPPORT/CAMMICRO<br>ASS'Y | ENSEMBLE MOTOREDUCTEUR/<br>SUPPORT/ CAME/ MICRO | 1                        |
| 20          | 81413043/0     | DISCO  | CAM                             | CAME  | 1                        |
| 21          | 12639300/0     | SPINA  | PIN                             | GOUPILLE  | 1                        |
| 22          | 25654016/0     | RONDELLA   | WASHER                          | RONDELLE  | 2                        |
| 23          | 25110911/0     | BUSSOLA  | BUSH                            | DOUILLE   | 1                        |
| 24          | 12000950/0     | SEEGER   | SEEGER                          | BAGUE D'ARRÊT                                   | 1                        |
| 25          | 19410209/0     | MICRO  | MICRO                           | MICRO   | 1                        |
| 31          | 81413031/0     | CONVOGLIATORE                                    | DEFLECTOR                       | CONVOYEUR                                       | 1                        |
| 32          | 25726115/3     | SUPPORTO ALBERO PALETTE                          | PADDLE SHAFT SUPPORT            | SUPPORT ARBRE PALETTES                          | 2                        |
| 34          | 81412031/0     | EVAPORATORE                                      | EVAPORATOR                      | EVAPORATEUR                                     | 1                        |
| 35A         | 25030010/0     | ALBERO PALETTE                                   | PADDLE SHAFT                    | ARBRE PALETTES                                  | 1                        |
| 36          | 25110914/0     | BUSSOLA  | BUSH                            | DOUILLE   | 2                        |
| 38A         | 25545520/2     | PALETTA  | PADDLE                          | PALETTE   | 6                        |
| 39          | 19440059/0     | MOTORIDUTTORE PALETTE                            | PADDLE MOTOR                    | MOTOREDUCTEUR DES PALETTES                      | 1                        |
| 40          | 25725433/0     | SUPPORTO MOTORIDUTTORE                           | SUPPORT                         | SUPPORT   | 1                        |
| 42          | 25525419/0     | SUPPORTO   | SUPPORT                         | SUPPORT   | 1                        |
| 44          | 19410209/0     | MICRO  | MICRO                           | MICRO   | 1                        |
| 47          | 81409179/0     | ASS. MICRO GALLEGGIANTE                          | MICRO/ FLOAT BALL ASS'Y         | ENSEMBLE MICRO/ FLOTTEUR                        | 1                        |
| 54          | 25300000/0     | RACCORDO ENTRATA ACQUA                           | WATER INLET TUB                 | TUYAU ENTREE EAU                                | 1                        |
| 58          | 25790620/0     | TUBO H <sub>2</sub> O                            | TUBE                            | TUYAU   | 1                        |
| 59          | 19280700/0     | FASCETTA   | CLAMP                           | BANDE   | 1                        |
| 61          | 25820080/0     | VASCETTA RECUPERO                                | PAN                             | BAC   | 1                        |
| 63          | 81410690/0     | GRIGLIA  | GRID                            | GRILLE  | 1                        |
| 64          | 25790604/0     | TUBO SCARICO                                     | DRAIN PIPE                      | TUYAU D'ECOULEMENT                              | 1                        |
| 65          | 25690230/0     | BASE CABLAGGIO                                   | ELECTRICAL BOX                  | BOITIER ELECTRIQUE                              | 1                        |
| 67          | 25160705/0     | COPERCHIO  | COVER                           | COUVERCLE                                       | 1                        |
| 70          | 19620107/0     | RELÈ   | RELAY                           | RALIS   | 1                        |
| 71          | 19797017/0     | TERMOSTATO DEPOSITO                              | BIN THERMOSTAT                  | THERMOSTAT CONTENEUR                            | 1                        |
| 74          | 33489251/0     | MORSETTIERA                                      | TERMINAL BOARD                  | BLOC DE RACCORDEMENTE                           | 1                        |



+7(812)987-08-81

| Pos. Nr. | Codice Code | Descrizione                                | Description                           | Description                                  | Quantità Q.ty Q.te |
|----------|-------------|--|---------------------------------------|--|--------------------|
| 1        | 81410648/0  | ASSIEME BASAMENTO                          | BASE                                  | CHASSIS N 30L                                | 1                  |
| 2B       | 81418390/0  | ASSIEME SCAMBIATORE R134a                  | EXCHANGER ASS'Y R134a                 | ECHANGEUR R134a                              | 1                  |
| 3A       | 19300802/0  | FILTRO R134a                               | DRIER R134a                           | DESHYDRATEUR R134a                           | 1                  |
| 4        | 19863033/0  | VALVOLA GAS                                | GAS VALVE                             | VANNE DE GAZ                                 | 1                  |
| 5        | 18562498/0  | ELETTOVENTILATORE R134a                    | FAN MOTOR R134a                       | VENTILATEUR R134a                            | 1                  |
| 5A       | 18740024/0  | VENTOLA X 18562498/0                       | BLADE X 18562498/0                    | HELICE X 18562498/0                          | ....               |
| 6        | 19165548/0  | COMPRESSORE GL 90TB R134a                  | COMPRESSOR GL 90TB R134a              | COMPRESSOR GL 90TB R134a                     | 1                  |
| 7        | 19560131/0  | PROTETTORE R134a                           | PROTECTION R134a                      | PROTECTEUR R134a                             | 1                  |
| 8        | 19618003/0  | RELÈ R134a                                 | RELAY R134a                           | RELAIS R134a                                 | 1                  |
| 9        | 19180464/0  | CONDENSATORE DI SPUNTO R134a               | START CONDENSER R134a                 | CONDENSATEUR DE DEMARRAGE R134a              | 1                  |
| 13       | 19177505/0  | CONDENSATORE R134a                         | CONDENSER R134a                       | CONDENSEUR R134a                             | 1                  |
| 14       | 19550372/0  | PRESSOSTATO VENTILATORE (FINO LUGLIO 2000) | FAN PRESSURE CONTROL (TILL JULY 2000) | PRESSOSTAT VENTILATEUR (JUSQU'À JULLET 2000) | 1                  |
| 14A      | 19797025/0  | TERMOSTATO VENTILATORE (DA LUGLIO 2000)    | FAN THERMOSTAT (FROM JULY 2000)       | THERMOSTAT VENTILATEUR (DE JUILLET 2000)     | 1                  |
| 15       | 25725437/0  | SUPPORTO                                   | SUPPORT                               | SUPPORT                                      | 1                  |
| 25       | 81418352/0  | SUPPORTO                                   | SUPPORT                               | SUPPORT                                      | 1                  |
| 30       | 12436401/0  | PIASTRINA                                  | PLATE                                 | PLAQUE                                       | 4                  |
| 31       | 33320253/0  | FISSACAVO                                  | CLAMP                                 | BANDE  | 1                  |
| 33       | 19865502/0  | ELETTOVALVOLA H <sub>2</sub> O             | WATER VALVE                           | VANNE EAU                                    | 1                  |
| 35       | 25790620/0  | TUBO ACQUA                                 | TUBE                                  | TUYAU  | 1                  |
| 37       | 19810111/0  | TUBO ALIMENTAZIONE                         | WATER INLET TUBE                      | TUYAU ENTREE EAU                             | 1                  |
| 37A      | 19350158/0  | GUARNIZIONE TUBO                           | GASKET                                | GARNITURE                                    | 2                  |
| 38       | 25690806/0  | SCARICO ACQUA                              | WATER DRAIN PIPE                      | ECOULEMENT MACHINE                           | 1                  |
| 41       | 19281324/0  | FASCETTA                                   | CLAMP                                 | BANDE  | 1                  |
| 42       | 25460020/0  | MANICOTTO                                  | COUPLING                              | ROLLANGE PIED                                | 4                  |
| 43       | 25570880/0  | PIEDINO                                    | LEVELLING FOOT                        | PIED   | 4                  |





|       |            |   |  |  |   |
|-------|------------|---|--|--|---|
| 1     | 81410648/0 | BASAMENTO                                       | BASE                                       | CHASSIS  | 1 |
| 2B    | 81418391/0 | ASSIEME SCAMBIATORE R134a                       | EXCHANGER ASSY R134a                       | EXCHANGER R134a                                    | 1 |
| 3     | 81414372/0 | CONDENSATORE                                    | CONDENSER                                  | CONDENSATOR  | 1 |
| 4     | 19864900/0 | VALVOLA DI CARICA                               | CHARGE VALVE                               | VANNE DE CHARGE                                    | 1 |
| 5     | 19863033/0 | VALVOLA GAS                                     | GAS VALVE                                  | VANNE DE GAZ                                       | 1 |
| 6     | 19165548/0 | COMPRESSORE GL 90TB-R134a                       | COMPRESSOR GL 90TB-R134a                   | COMPRESSEUR GL 90TB-R134a                          | 1 |
| 7     | 19560131/0 | CONDENSATORE DI SPUNTO R134a                    | START CONDENSER R134a.                     | CONDENSATEUR DE DEMARRAGE R134a                    | 1 |
| 8     | 19618003/0 | RELÉ R134a                                      | RELAY R134a                                | RELAIS R134a                                       | 1 |
| 9     | 19180464/0 | CONDENSATORE DI SPUNTO R134a                    | START CONDENSER R134a                      | CONDENSATEUR DE DEMARRAGE R134a                    | 1 |
| 10    | 19864900/0 | VALVOLA DI CARICA                               | CHARGE VALVE                               | VANNE DE CHARGE                                    | 1 |
| 12    | 19797023/0 | TERMOSTATO DI SICUREZZA<br>(DA APRILE 2000)     | SAFETY THERMOSTAT<br>(FROM APRIL 2000)     | THERMOSTAT DE SECURITÉ<br>(DEPUIS AVRIL 2000)      | 1 |
| 13    | 19300802/0 | FILTRO<br>(DA APRILE 2000)                      | DRIER R<br>(FROM APRIL 2000)               | DESHYDRATEUR<br>(DEPUIS AVRIL 2000)                | 1 |
| 14    | 19550620/0 | PRESSOSTATO DI MASSIMA<br>(FINO AD APRILE 2000) | HI-PRESSURE CONTROL<br>(TILL APRIL 2000)   | PRESSOSTAT<br>(JUSQU'À AVRIL 2000)                 | 1 |
| 14A   | 19550372/0 | TERMOSTATO CONDENSATORE<br>(DA APRILE 2000)     | PRESSURE THERMOSTAT<br>(FROM APRIL 2000)   | THERMOSTAT CONDENSEUR<br>(DEPUIS AVRIL 2000)       | 1 |
| 15    | 25725437/0 | SUPPORTO  | SUPPORT                                    | SUPPORT  | 1 |
| 16    | 19865611/0 | VALVOLA PRESSOSTATICA<br>(FINO AD APRILE 2000)  | AUTOMATIC WATER VALVE<br>(TILL APRIL 2000) | VANNE A EAU PRESSOSTATIQUE<br>(JUSQU'À AVRIL 2000) | 1 |
| 19    | 18562501/0 | ELETTOVENTILATORE                               | FAN MOTOR                                  | VENTILATEUR  | 1 |
| 20-47 | 19281324/0 | FASCETTA  | CLAMP                                      | BANDE  | 2 |
| 24    | 12726389/0 | VITE  | SCREW                                      | VIS  | 2 |
| 30    | 81418353/0 | SUPPORTO  | SUPPORT                                    | SUPPORT  | 1 |
| 35    | 12436401/0 | PIASTRINA                                       | PLATE                                      | PLAQUE   | 4 |
| 36    | 33320523/0 | FISSACAVO                                       | CLAMP                                      | BANDE  | 1 |
| 38    | 19865509/0 | ELETTOVALVOLA ACQUA<br>(FINO AD APRILE 2000)    | WATER SOLENOID VALVE<br>(TILL APRIL 2000)  | VANNE EAU<br>(JUSQU'À AVRIL 2000)                  | 1 |
| 38A   | 19865538/0 | ELETTOVALVOLA ACQUA<br>(DA APRILE 2000)         | WATER SOLENOID VALVE<br>(FROM APRIL 2000)  | VANNE EAU<br>(DEPUIS AVRIL 2000)                   | 1 |
| 40    | 25790620/0 | TUBO ACQUA                                      | TUBE                                       | TUYAU  | 1 |
| 41    | 81418211/0 | TUBO ACQUA                                      | TUBE                                       | TUYAU  | 1 |
| 43    | 19810111/0 | TUBO ALIMENTAZIONE                              | WATER INLETT TUBE                          | TUYAU ENTREE EAU                                   | 1 |
| 43A   | 19350158/0 | GUARNIZIONE DI TUBO                             | GASKET FOR TUBE                            | GARNITURE POUR TUYAU                               | 1 |
| 44    | 25690806/0 | SCARICO   | WATER DRAIN PIPE                           | ECOULEMENT MACHINE                                 | 2 |
| 48    | 25781513/0 | TUBO SCARICO                                    | OUTLET TUBE                                | TUYAU ECOULEMENT                                   | 1 |
| 50    | 25460020/0 | MANICOTTO                                       | COUPLING                                   | RALLONGE PIED                                      | 4 |
| 51    | 25570880/0 | PIEDINO   | LEVELLING FOOT                             | PIED   | 4 |

**Зип Общепит**  
**vsezip.ru**  
**+7(812)987-08-81**

## **Castel MAC SpA**

Via del Lavoro, 9 - C.P. 172  
I - 31033 Castelfranco Veneto (TV) Italy  
Tel. 0423 738452 - Fax 0423 722811  
E-mail: [service@castelmac.it](mailto:service@castelmac.it)  
Web-site: [www.castelmac.it](http://www.castelmac.it)

Cod. 71503398/0 - 12/2006

