

MOD: XL505

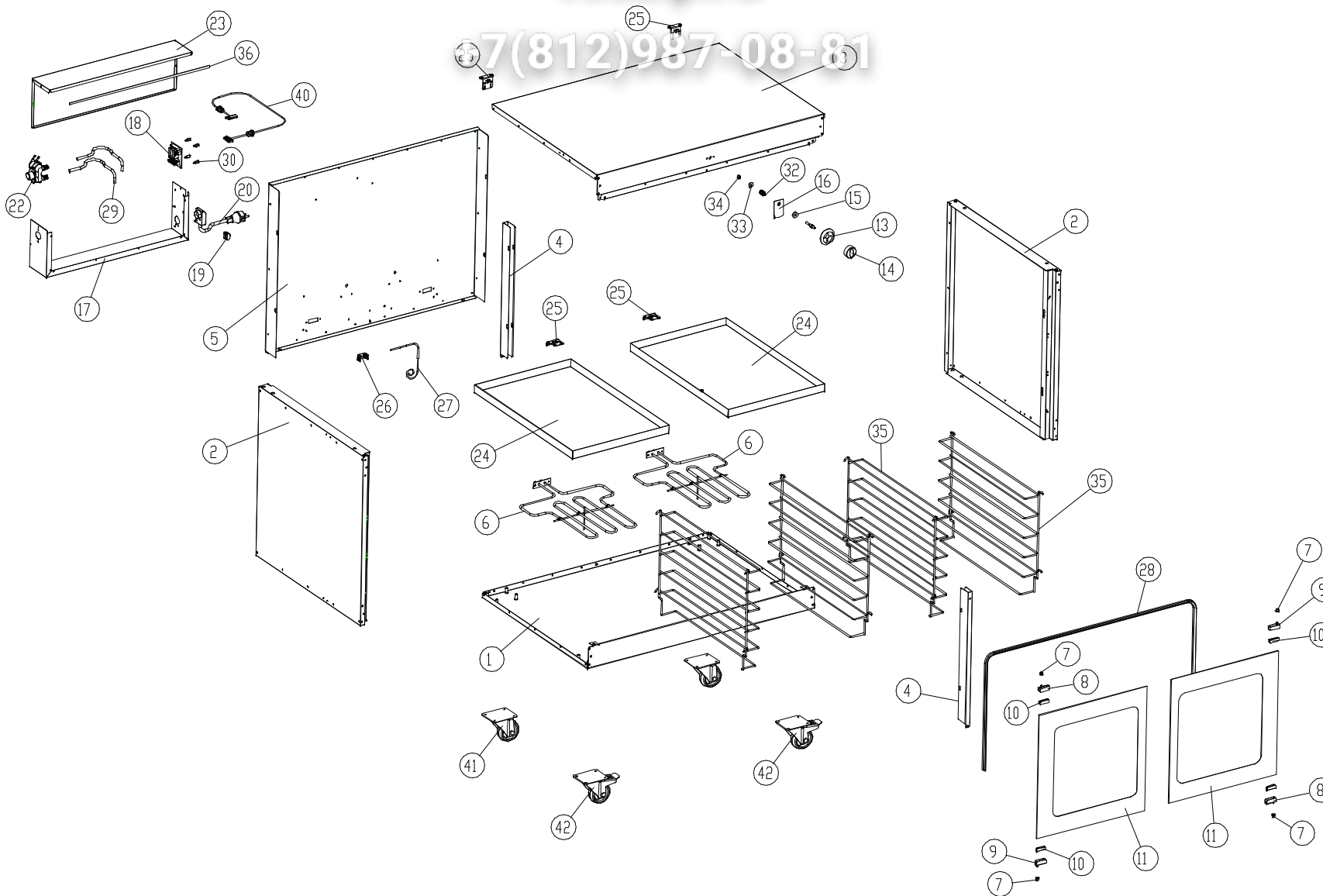
Зип Общепит

EXPLODED VIEW DISEGNO ESPLOSO



vsezip.ru

7(812)987-08-81



LEGEND - LEGENDA

1	OE1020C0
2	OD1110C1
3	OD1105B3
4	OH1250B0
5	OF1030C0
6	RS057
7	RC492B
8	CR046
9	CR045
10	GN006A
11	VT1030A1
13	MN048
14	MN121
15	GN005
16	OH002
17	OH1255A1
18	PE1065A1
19	VM250
20	CE116
22	EL1145A0
23	OH1260A0
24	OH196A
25	OH1150A1
26	OH318A
27	TR110A
28	GN007B
29	TB008
30	PE102
32	RC1020A0
33	VI523
34	VII110A0
35	GRI035A0
36	GN300
40	CE1015B0
41	RT1005A1
42	RT1010A1

MOD: XL505

Зип Общепит

EXPLODED VIEW
DISEGNO ESPLOSO



DESCRIZIONE CODICI

vsezip.ru

+7(812)987-08-85

1	OE1020C0	FONDO ESTERNO INOX XL504/505
2	OD1110C1	FIANCO DX/SX XL505
3	OD1105B3	COPERCHIO INOX XL505
4	OH1250B0	MONTANTE CENTRALE INOX XL504/505
5	OF1030C0	SCHIENA INOX XL505
6	RS057	RESISTENZA 1050W LIEVITATORE 0700
7	RC492B	BOCCOLA PER CR045-46 12x8,5 DI=5,3
8	CR046	CERN.SX INOX XV-XL-XB
9	CR045	CERN.DX INOX XV-XL-XB
10	GN006A	GUARN.PORTA FREDDA A BAND. PTFE
11	VT1030A1	VETRO ESTERNO SER. GIALLO 446x476x4
13	MN048	GHIERA ANONIMA PER LIEVITATORI
14	MN121	MANOPOLA CON INDICE NON SERIGRAFATO '99
15	GN005	RONDELLA PORTA XL 20x8,5x5 IN
16	OH002	PIASTRINA INOX CHIUSURA PORTA XL041
17	OH1255A1	BASE SCATOLA PORTA COMPONENTI "XL"
18	PE1065A1	SCHEDA CONTROLLO LIEVITATORE
19	VM250	MORSETT.A PETTINE
20	CE116	CAVO 3x1,5 H07RN-F MT1,5+K1/3+SCHUK
22	EL1145A0	ELETR.DOPPIA ATT. J.GUEST INCORPORATO
23	OH1260A0	COPERCHIO SCATOLA PORTA COMPONENTI "XL"
24	OH196A	VASCA INOX UMIDITA' 621x400x30 '01 XL503
25	OH1150A1	PIASTRINA STAND. FISSAGGI VARI
26	OH318A	SOSTEGNO BULBO STANDARD '02
27	TR110A	SONDA DI TEMP. TR PT100 IEC751
28	GN007B	GUARNIZIONE PORTA 12G XL503-XL505
29	TB008	TUBO PE 7,93x4,75 TRASPARENTE
30	PE102	SUPPORTO PER SCHEDA 24POT98
32	RC1020A0	MOLLA INOX PORTA "XL"
33	VI523	RONDELLA D.6,5x18 INOX
34	VII110A0	DADO AUTOBLOCC. INOX M6 H=8mm DIN982
35	GR1035A0	GRIGLIA LAT.DX/SX INOX XL504/XL505
36	GN300	PROFILO GOMMA NERO ADESIVO 8x3[S]
40	CE1015B0	CAVO COLLEG. FORNO LIEVITATORE UL CSA
41	RT1005A1	RUOTA GIREVOLE NYL/POL 80X30 CON STAFFA
42	RT1010A1	RUOTA GIREVOLE NYL/POL80X30 STAFFA+FRENO

DESCRIPTION

1	OE1020C0	
2	OD1110C1	
3	OD1105B3	
4	OH1250B0	STAINLESS STEEL CENTRAL POST XL504/XL505
5	OF1030C0	
6	RS057	HEAT. ELEMENT 1050W PROFER 0700
7	RC492B	BUSHING FOR CR045-46 12x8,5 DI=5,3
8	CR046	LEFT STAINLESS STEEL HINGE XV-XL-XB
9	CR045	RIGHT STAINLESS STEEL HINGE XV-XL-XB
10	GN006A	COLD DOOR SEAL PTFE CAR/CARB Thickness=
11	VT1030A1	YELLOW SER. GLASS 446x476x4 TFL
13	MN048	ANONYMOUS PLASTIC RING FOR LEAVENING
14	MN121	KNOB WITHOUT SERIGRAPHIED INDEX '99
15	GN005	DOOR WASHER XL 20x8,5x5 PTFE CAR.CARB.
16	OH002	STAINLESS STEEL DOOR CLOSING CLIP XL041
17	OH1255A1	ENG-BASE SCATOLA PORTA COMPONENTI "XL"
18	PE1065A1	PROVER CONTROL CARD
19	VM250	"COMB" TERMINAL BOARD
20	CE116	EL.CABLE 3x1.5 H07RN-F MT1,5+K1/3+SCHUKO
22	EL1145A0	WATER DOUBLE ELECTROV.W/RAPID
23	OH1260A0	ENG-COPERCHIO SCATOLA PORTA COMPONENTI
24	OH196A	STAINLESS STEEL BASIN HUMIDITY
25	OH1150A1	STANDARD BRACKET FOR VARIOUS FIXINGS
26	OH318A	STANDARD BULB SUPPORT '02
27	TR110A	TEMPERATURE PROBE PT100 L=1500mm
28	GN007B	DOOR GASKET 12G XL503-XL505
29	TB008	TRANSPARENT TUBE PE 7,93x4,75
30	PE102	SUPPORT FOR CARD 24POT98
32	RC1020A0	INOX SPRING DOOR "XL"
33	VI523	WASHER D. 6,5x18 STAINLESS STEEL
34	VII110A0	AUTOBLOCKING NUT STAINLESS STEEL
35	GR1035A0	LEFT/RIGHT STAINLESS STEEL SIDE
36	GN300	BACK BLACK ADESIVE GASKET XV401-500
40	CE1015B0	OVEN-PROFER CONNECTION CABLE UL CSA
41	RT1005A1	REVOLVING WHEEL WITH BRACKET
42	RT1010A1	REVOLV. WHEEL WITH BRACKET + BRAKE