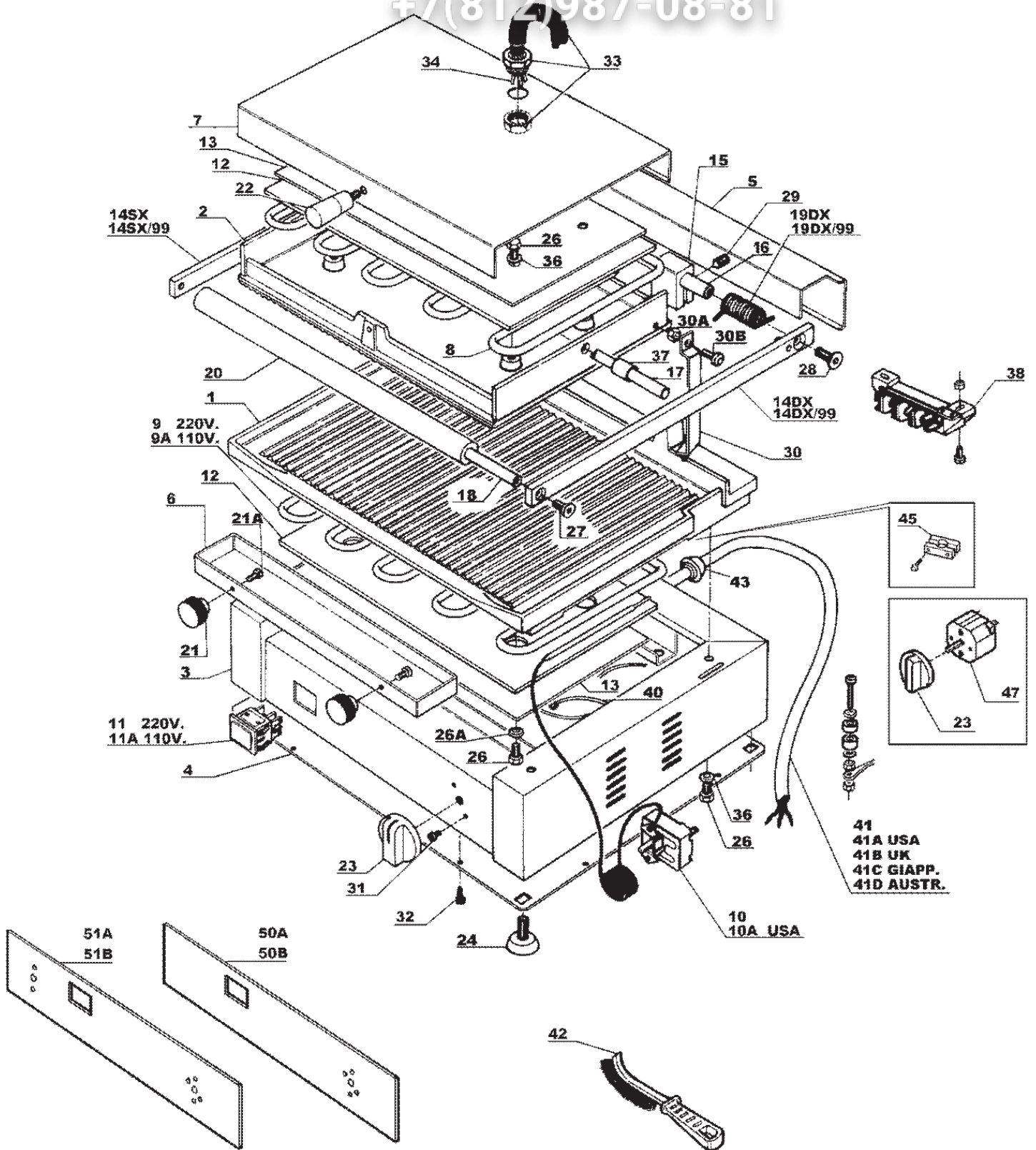


Зип Общепит

vsezip.ru

+7(812)987-08-81



REF	ART	COD
01	Piastra inf. liscia CRT L	IGS200CL
01	PIASTRA INF. LISCIA USA CRT	IGS200CA/L
01	Piastra inf. rigata CRT R	IGS200CR
01	PIASTRA INF. RIGATA USA CRT	IGS200CA/R
02	Piastra sup. liscia CRT L	IGS203CL
02	PIASTRA SUP. LISCIA USA CRT	IGS203CA/L
02	Piastra sup. rigata CRT R	IGS203CR
02	PIASTRA SUP. RIGATA USA CRT	IGS203CA/R
03	Basamento inox CRT L/R	IGS102C
04	Cop. inf. zincata CRT L/R	IGS124C
05	Copertura post. inox CRT L/R	IGS108C
06	Cassetta racc. inox CRT L/R	IGS106C
07	Copertura superiore CRT L/R	IGS100C
08	Resist.sup. sx/dx 220 CRT L/R	IGS402C
08A	Resist.sup.sx/dx 110V. CRT L/R	IGS403C
09	Resist.inf.sx/dx 220V. CRT L/R	IGS407C
09A	Resist.inf.sx/dx 110V. CRT L/R	IGS408C
10	Termostato 110/220V-50/60HZ PIASTRE	IGS460
11	Lamp.spia 220 V. PD-CRT-LEI-TPO	IGS422
11A	Lamp.spia 110 V. PD-CRT-LEI-TPO	IGS423
12	PANNELLO ISOLANTE 110 ZK CRT	IGS119053
13	Prot. pann. isol. CRT L/R	IGS120C
14DX	Asta soll.dx FINO 99 PD-CRT-LEI	IGS160
14DX/99	Asta soll.dx DAL. 99 PD-CRT-LEI	IGS160/99
14SX	Asta soll.sx FINO 99 PD-CRT-LEI	IGS162
14SX/99	Asta soll.sx DAL. 99 PD-CRT-LEI	IGS162/99
15	Freno ottone PD-CRT-LEI	IGS280
16	Perno soll. d.12 CRT L/R	IGS140C
17	Perno bilanciame. CRT L/R	IGS146C
18	Perno impugnatura CRT L/R	IGS143C
19DX	Molla soll. dx CRT	IGS540C
19DX/99	MOLLA SOLL. DX DAL 99 CRT	IGS540C/99
19SX	Molla soll. sx CRT	IGS543C
19SX/99	MOLLA SOLL. SX DAL 99 CRT	IGS543C/99
20	Impugn. sollevamento CRT L/R	IGS300C
21A	POMEL. cass. PD-CRT-LEI-TPO-Q	IGS333
21B	POMEL. CASS.ROSSO PD-CRT-LEI-TPO-Q	IGS333R
22A	Pomel. piast sup. PD-CRT-LEI	IGS330
22B	Pomel. piast sup.ROSSO PD-CRT-LEI	IGS330R
23A	MANOPOLA TERMOSTATO/TIMER	IGS336

23B	Manop.termost.ROS.PD-CRT-LEI-TPO-Q	IGS336R
24	Piedino PD-CRT-LEI-TPO	IGS360
26A	Rondella d.6 PD-CRT-LEI-TPO	IGS50R06
30	Ast. anti ribalt. CRT	IGS168
33	Spirale prot.Compl. PD-CRT-LEI	IGS545
34	CABLAGGIO SUPERIORE CRT-LEI	IGS481
34	CABLAGGIO SUP. C-ETL CRT-LEI	IGS481J
36	Rondella d.6 PD-CRT-LEI-TPO	IGS50R06
37	ANELLO DISTANZIALE CRT	IGS147C
38	Morsettiera PD/CRT/LEI/TPO	IGS469
40	CABLAGGIO INFERIORE CRT	IGS484C
40	CABLAGGIO INFERIORE CRT C ETL	IGS484CET
41	CAVO ALIMENTAZIONE CRT/LEI	IGS471
41A	CAVO ALIMENTAZIONE USA CRT/LEI	IGS471A
41B	CAVO ALIMENTAZIONE UK CRT/LEI	IGS471B
41C	CAVO ALIMENTAZIONE GIAP.CRT/LEI	IGS471C
41D	CAVO ALIM. AUSTRALIA PIASTRE	IGS470D
42	Spazzola PIASTRE	IGS126
43	PRESSACAVO PG 11	IGS463
45	PRESSACAVO PA268 USA CRT/LEI/Q	IGS463A
47	TIMER PD-COT-LEI-TPO	IGS450
50	MOSTRINA S. CRT	IGSCORT
50A	MOSTR. PERS/NEUTR. CRT	IGSCORT/P
51	MOSTRINA S. TIMER CRT	IGSCORT/T
51A	MOSTR. PERS/NEUTR. TIMER CRT	IGSCORT/PT