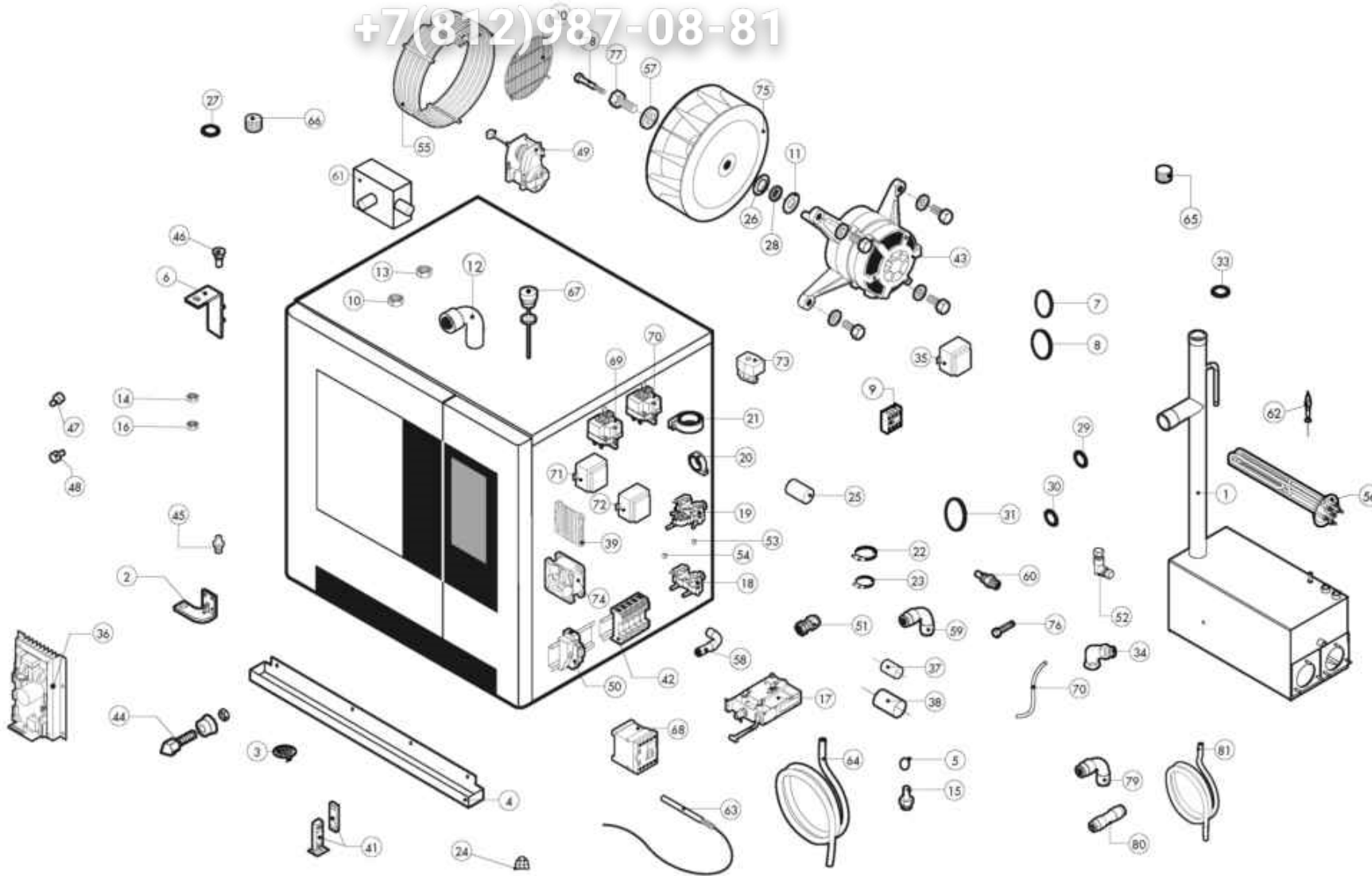


ATTENZIONE: PER TENSIONI SPECIALI, SPECIFICARE SEMPRE IL MODELLO DI FORNO ELETTRICO E IL NUMERO DI SERIE.
ATTENTION: FOR SPECIAL VOLTAGES, PLEASE ALWAYS SPECIFY THE OVEN MODEL AND THE SERIAL NUMBER.

ATTENTION: POUR TENSIONS SPÉCIALES, MERCI DE SPÉCIFIER TOUJOURS LE MODÈLE DU FOUR ET LE NUMÉRO DE SÉRIE.
ACHTUNG: BEI SONDERSPANNUNGEN, BITTE IMMER OFEN-MODELL UND SERIENNUMMER GEBEN.

ed.0614

+7(812)987-08-81



TAV. A

NAEB071

Pos.	Code	Codice precedente	Description	Notes	From:	To:
0001	LAR14216700		BOILER [C] GEMT07/NA-SAEB071			
0002	LA11207240	LAR11207240	LOWER HINGE KIT [C] M-V/061-101-102 2005			
0003	LA10201710	LAR10201710	FILTER [C] D.86/44.5 M/210-12			
0004	LAR69180210		DRAIN CONTAINER [C] N/S071-101 2014			
0005	LA62070023	LAR62070023	BICONE [C] D. 6			
0006	LA14402130	LAR14402130	HINGE [C]			
0008	LA70010370	LAR70010370	GASKET [C]			
0009	LA65140420	LAR65140420	CONTACT [C] 1L+1R 3RH1911-1FA11			7/31/2016
0009	LA65140930		CONTACT [C] 1L+1R 3RH2911-1HA11		8/1/2016	
0010	LA65240040	LAR65240040	LOCK NUT [C] FOR CONNECTION 107 Z/29			
0011	LA58003870	LAR58003870	COUNTER FLANGE [C] SMALL			
0012	LA62280038	LAR62280038	CURVE [C] D.50 D.50X			
0013	LAR58004040		INOX NUT [C] 3/4X8 M/106-120			
0014	LA58004050	LAR58004050	NUT [C] FOR HINGE PIN M/106-220			
0015	LA62060223	LAR62060223	NUT [C] D. 6			
0016	LA58000360	LAR58000360	NUT [C] FOR HINGE PIN N/S 2014			
0017	LA62200172	LAR62200172	SHOWER HEAD [C] NO71/101/072/102 2014			
0018	LAR65110210		SOLENOID VALVE [C] 220V 50HZ 2 WAYS			3/1/2015
0018	LAR65110330		DOUBLE SOLENOID VALVE 2 WAYS 230V 50/60HZ OUT J.G. D.10		3/2/2015	
0019	LAR65110240		SOLENOID VALVE [C] 220V 50HZ 2P+1D 3 WAYS			3/1/2015
0019	LAR65110360		DOUBLE SOLENOID VALVE 3 WAY D.10		3/2/2015	
0020	LA65280480	LAR65280480	FERRITE [C] FT25			
0021	LAR65280490		FERRITE [C] FT36			
0022	LAR61630031		ZINC CLAMP [C] 40-60/9			
0023	LA61630011	LAR61630011	ZINC CLAMP [C] 12-22/9			
0024	LA69180250	LAR69180250	FILTER [C] BASIN DRAINAGE			
0025	LA65280230	LAR65280230	FILTER [C]			
0026	LA58003860	LAR58003860	FLANGE [C]			
0027	LAR70050150		GASKET [C] BOILER CAP			

Pos.	Code	Codice precedente	Description	Notes	From:	To:
0028	LA70020040	LAR70020040	GASKET [C]			
0029	LA70010030	LAR70010030	GASKET [C] 6,07X1,78			
0030	LA70010210	LAR70010210	GASKET [C] 13,72X2,62			
0031	LA70030180		GASKET [C] 80X50,3X3			
0033	LA70050140	LAR70050140	GASKET [C] BOILER CAP			
0034	LA62080093	LAR62080093	JOINT [C] MF 1			
0035	LA65450200	LAR65450200	INDUCTOR [C] 6,5 mH 8A			
0036	LAR65140090		INVERTER [C] 0,8KW	UL Version (USA-CAN)		
0036	LAR65140890		INVERTER [C] 0,8KW			
0037	LAR70060080		COUPLING [C] D. 13X18X80			
0038	LA70060040	LAR70060040	COUPLING [C] D. INT 51 D. EXT 59			
0039	LAR75300020		PLATE [C] FAN D.120			
0040	LA75300050	LAR75300050	PLATE [C] FAN D.270 N/S101 2014			
0041	LAR65265100		MICROSWITCH [C]			
0043	LA65160550	LAR65160550	SUPPORT [C]	UL Version (USA-CAN)		7/31/2016
0043	LA65160620	LAR65160620	HEAT-GUARD [C] 1,4-2,0	UL Version (USA-CAN)		7/31/2016
0043	LA65160810		SUPP.TERMICO 3RU2916-3AA01	UL Version (USA-CAN)	8/1/2016	
0043	LA65160880		HEAT-GUARD [C] 1,4-2,0	UL Version (USA-CAN)	8/1/2016	
0043	LAR65040600		MOTOR [C] 220/240V 0,25KW F3 2P			
0043	LAR65041300		MOTOR [C] 230V 50/60HZ 0,25KW UL F3 2P	UL Version (USA-CAN)		
0043	LAR65200400		FUSIBILE X MOT. KTK-R-6 600V 6A CL. CC	UL Version (USA-CAN)		
0043	LAR65210110		PORTAFUSIBILE BUSMANN BCC3X38 (2306338)	UL Version (USA-CAN)		
0044	LA69010260	LAR69010260	PRONG [C]			
0044	LAR69010270		PRONG [C]			
0045	LA58002670	LAR58002670	PIN [C] HINGE SR.2005			
0046	LA58000370	LAR58000370	PIVOT HINGE			
0047	LA58003140	LAR58003140	PIN [C]			
0048	LAR58003110		PIN [C]			
0049	LAR65095000		MOTOR [C] VENTING			
0050	LA65210020	LAR65210020	FUSE CARRIER [C] 5X20			
0051	LAR65240030		FAIRLEAD [C] PG 107 Z/29			

vsezip.ru
+7 (812) 987-08-81

Pos.	Code	Codice precedente	Description	Notes	From:	To:
0052	LA62090633	LAR62090633	CONNECTOR [C] 10/10			
0053	LA65110500	LAR65110500	REGULATOR [C]			
0054	LA65110530	LAR65110530	REGULATOR [C] 2LT.1'			
0055	LA65011940	LAR65011940	HEATING ELEMENT [C] 10000W 208V	UL Version 208V (USA-CAN)		
0055	LA65011970		RESISTENZA 10000W277V D8.5 INC.CAM.K_081	UL Version 277V (USA-CAN 3AC 480V)		
0055	LAR65011930		HEATING ELEMENT [C] 10000W 230V			
0056	LA65020310	LAR65020310	HEATING ELEMENT [C] 7500W208V BOILER ME/106-110	UL Version 208V (USA-CAN)		
0056	LA65020340	LAR65020340	HEATING ELEMENT [C] 7500W277V BOILER US	UL Version 277V (USA-CAN 3AC 480V)		
0056	LA65020350	LAR65020350	HEATING ELEMENT [C] 7500W230V BOILER ME/105-106			
0057	LA58004010	LAR58004010	WASHER [C] D. 30/12,5			
0058	LA62090528	LAR62090528	CONNECTOR [C] 10X10			
0059	LA62090478	LAR62090478	CONNECTOR [C] D.10			
0060	LA58006160	LAR58006160	NOZZLE [C] D. 0,80			
0061	LA69180120	LAR69180120	BOX [C]			
0062	LA65320010	LAR65320010	PROBE [C] LEVEL TL 10/B			
0063	LAR65320220		PROBE [C] K 6X80 1,5ML			
0064	LA80150000	LAR80150000	PIPE [C]			
0065	LAR69150110		CAP [C]			
0066	LA69150100	LAR69150100	CAP [C]			
0067	LAR58006690		CAP [C] SERIE 2014			
0068	LA65140380	LAR65140380	SWITCH [C]			7/31/2016
0068	LA65140400	LAR65140400	SWITCH [C]			7/31/2016
0068	LA65140900		SWITCH [C]		8/1/2016	
0068	LA65140910		SWITCH [C]		8/1/2016	
0069	LA65070380	LAR65070380	THERMOSTAT [C] 150Å°C	UL Version (USA-CAN)		
0069	LAR65070081		THERMOSTAT [C] BOILER			
0070	LA65070350	LAR65070350	THERMOSTAT [C] 360Å°C			
0070	LA65070370	LAR65070370	THERMOSTAT [C] 360Å°C	UL Version (USA-CAN)		
0071	LA65180420	LAR65180420	TRANSFORMER [C] 20VA			
0071	LA65187110	LAR65187110	TRANSFORMER [C] 40VA	UL Version (USA-CAN)		

Pos.	Code	Codice precedente	Description	Notes	From:	To:
0072	LA65180430	LAR65180430	TRANSFORMER [C] 40VA			
0072	LA65187110	LAR65187110	TRANSFORMER [C] 40VA	UL Version (USA-CAN)		
0073	LAR65110570		VALVE [C] 230V			2/29/2016
0073	LAR65110571		VALVE [C] 230V		3/1/2016	
0074	LA65060050	LAR65060050	FAN [R] D. 120			
0075	LA75400570	LAR75400570	FAN [C] D. 240X80 50HZ			
0076	LAR61260152		VITE			
0077	LA58004000	LAR58004000	SCREW [C] M12X1.5			
0078	LA61020562	LAR61020562	SCREW [C] M6X55 UNI 5737			
0079	LA62090918	LAR62090918	CONNECTOR [C] D.10		7/7/2014	
0080	LA62090908	LAR62090908	CONNECTOR [C] D.10		7/7/2014	
0081	LA80150060	LAR80150060	PIPE [C]		7/7/2014	

vsezip.ru
+7(812)987-08-81

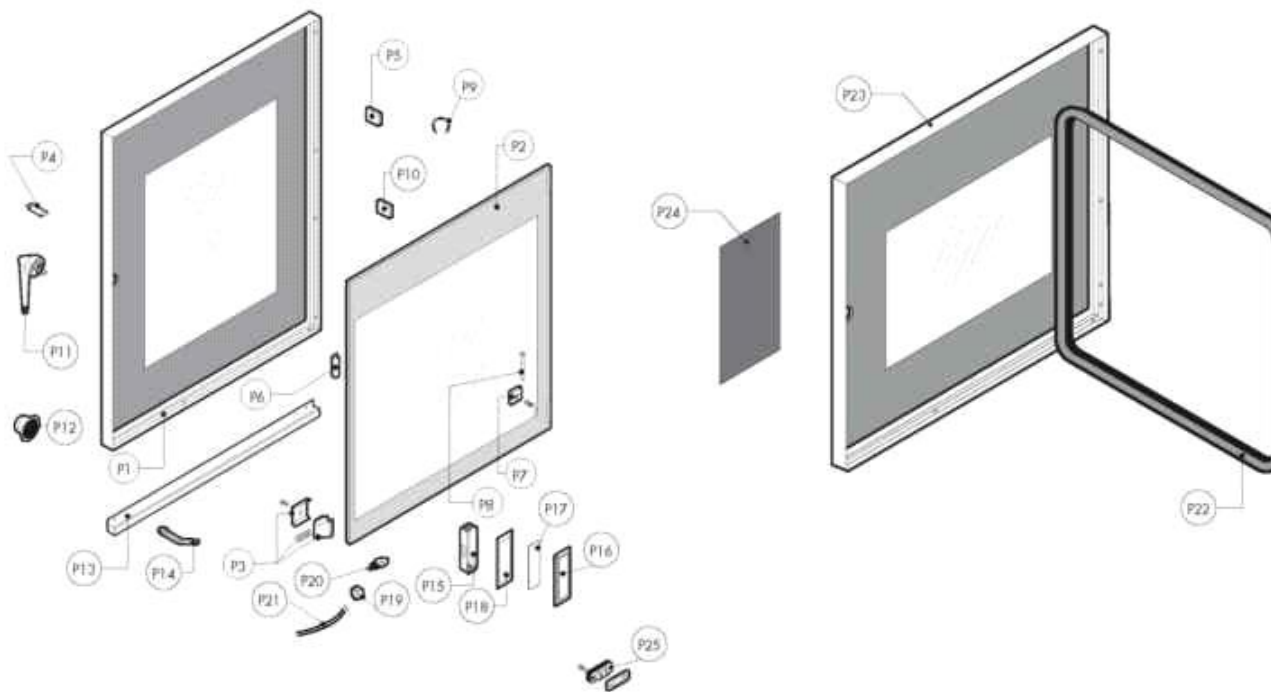
ATTENZIONE: PER TENSIONI SPECIALI, SPECIFICARE SEMPRE IL MODELLO DI FORNO E IL NUMERO DI SERIE.
ATTENTION: FOR SPECIAL VOLTAGES, PLEASE ALWAYS SPECIFY THE OVEN MODEL AND THE SERIAL NUMBER.

ATTENTION: POUR TENSIONS SPÉCIALES, MERCI DE SPÉCIFIER TOUJOURS LE MODÈLE DU FOUR ET LE NUMÉRO DE SÉRIE.
ACHTUNG: BEI SONDERSPANNUNGEN, BITTE IMMER OFEN-MODELL UND SERIENNUMMER GEBEN.

ed.0614

+7(812)987-08-81

PORTA NORMALE / STANDARD DOOR / PORTE STANDARD / TÜR STANDARD / PUERTA STANDARD



Pos.	Code	Codice precedente	Description	Notes	From:	To:
OOP1	LAR14200760		DOOR [C] NA_071			
OOP2	LAR71202210		GLASS PLATE [C] N/S071-2014 494x590x6			
OOP3	LAR58001780		CATCH [C] DOOR P2000			
OOP4	LA61620132	LAR61620132	SPRING [C]			
OOP5	LAR11420660		FLANGE [C]			
OOP6	LA11423460	LAR11423460	PROTECTION [C] DOOR GLASS K E T 2011			
OOP7	LA58001760	LAR58001760	HINGE [C] GLASS SR2000			
OOP8	LA58001770	LAR58001770	PIN [C]			
OOP9	LA61600031	LAR61600031	GASKET [C] D.3,2 UNI 7434			
OP10	LAR70050180		SPACER [C] GLASS 15x8 M4x12 A2			
OP11	LA69010190	LAR69010190	LOCK [C] 6303 N/S2014			
OP12	LAR69010630		COVERING [C] GROUP 6303			
OP13	LAR69180220		DOOR CONTAINER [C] N/S071-101 2014			
OP14	LA69180010	LAR69180010	DRAIN [C]			
OP15	LA11401440	LAR11401440	LAMP COVER [C]			
OP16	LA11401450	LAR11401450	FLANGE [C]			
OP17	LA71500150	LAR71500150	GLASS PLATE [C] P2000			
OP18	LA70044200	LAR70044200	GASKET [C]			
OP19	LA65270450	LAR65270450	LAMP HOLDER [C]			
OP20	LA65270020	LAR65270020	BULB [C] 12V 20W G4			
OP21	LA66110310	LAR66110310	DOOR LIGHTS CABLE SET [C] M-V/061			
OP22	LA70048002	LAR70048000	GASKET [C] DOOR T07 2016			
OP23	LAR14162600		DOOR [C] NA_071			
OP24	LA67016540	LAR67016540	COATING [C]			
OP25	LAR65260752		CONTACT [C] LIGHTS SR.2014			

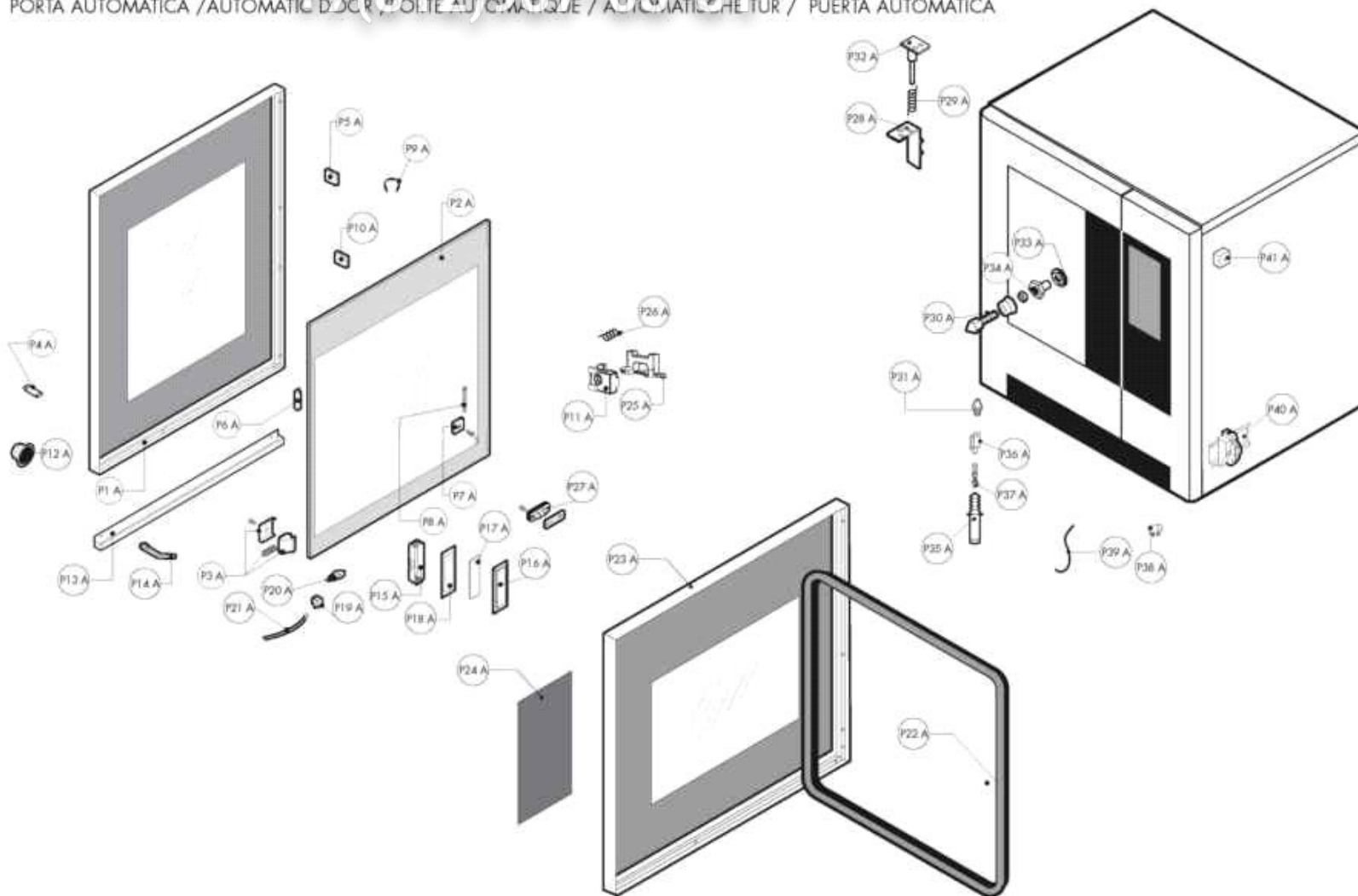
ATTENZIONE: PER TENSIONI SPECIALI, SPECIFICARE SEMPRE IL MODELLO DI FORNO E IL NUMERO DI SERIE.
ATTENTION: FOR SPECIAL VOLTAGES, PLEASE ALWAYS SPECIFY THE OVEN MODEL AND THE SERIAL NUMBER.

ATTENTION: POUR TENSIONS SPÉCIALES, MERCI DE SPÉCIFIER TOUJOURS LE MODÈLE DU FOUR ET LE NUMÉRO DE SÉRIE.
ACHTUNG: BEI SONDERSPANNUNGEN, BITTE IMMER OFEN-MODELL UND SERIENNUMMER GEBEN.

ed.0614

+7(812)987-08-81

PORTA AUTOMATICA / AUTOMATIC DOOR / PORTE AUTOMATIQUE / AUTOMATISCHE TÜR / PUERTA AUTOMÁTICA



TAV. B - automatic

NAEB071

Pos.	Code	Codice precedente	Description	Notes	From:	To:
OP1A	LAR14218100		DOOR [C] NA_071			
OP2A	LAR71202210		GLASS PLATE [C] N/S071-2014 494x590x6			
OP3A	LAR58001780		CATCH [C] DOOR P2000			
OP4A	LA61620152	LAR61620152	SPRING [C]			
OP5A	LAR11420660		FLANGE [C]			
OP6A	LA11423460	LAR11423460	PROTECTION [C] DOOR GLASS K E T 2011			
OP7A	LA58001760	LAR58001760	HINGE [C] GLASS SR2000			
OP8A	LA58001770	LAR58001770	PIN [C]			
OP9A	LA61600031	LAR61600031	GASKET [C] D.3,2 UNI 7434			
P10A	LAR70050180		SPACER [C] GLASS 15x8 M4x12 A2			
P11A	LA58007220	LAR58007220	CATCH [C] FOR AUTOMATIC DOOR			
P12A	LA14218140	LAR14218140	COVER [C] AUTOMATIC CLOSURE SYSTEM			
P13A	LAR69180220		DOOR CONTAINER [C] N/S071-101 2014			
P14A	LA69180010	LAR69180010	DRAIN [C]			
P15A	LA11401440	LAR11401440	LAMP COVER [C]			
P16A	LA11401450	LAR11401450	FLANGE [C]			
P17A	LA71500150	LAR71500150	GLASS PLATE [C] P2000			
P18A	LA70044200	LAR70044200	GASKET [C]			
P19A	LA65270450	LAR65270450	LAMP HOLDER [C]			
P20A	LA65270020	LAR65270020	BULB [C] 12V 20W G4			
P21A	LA66110310	LAR66110310	DOOR LIGHTS CABLE SET [C] M-V/061			
P22A	LA70048002	LAR70048000	GASKET [C] DOOR T07 2016			
P23A	LAR14162610		DOOR [C] AUTOMATIC NA_071			
P24A	LA67016720	LAR67016720	COATING [C]			
P25A	LA58007170	LAR58007170	SUPPORT [C]			
P26A	LA61620152	LAR61620152	SPRING [C]			
P27A	LAR65260752		CONTACT [C] LIGHTS SR.2014			
P28A	LAR14402400		UPPR HINGE [C] AUTOMATIC DOOR N/S 2014			
P29A	FR3410560		MOLLA DX PORTE CIECHE ARMADI			
P30A	LAR69010850		PRONG [C]			

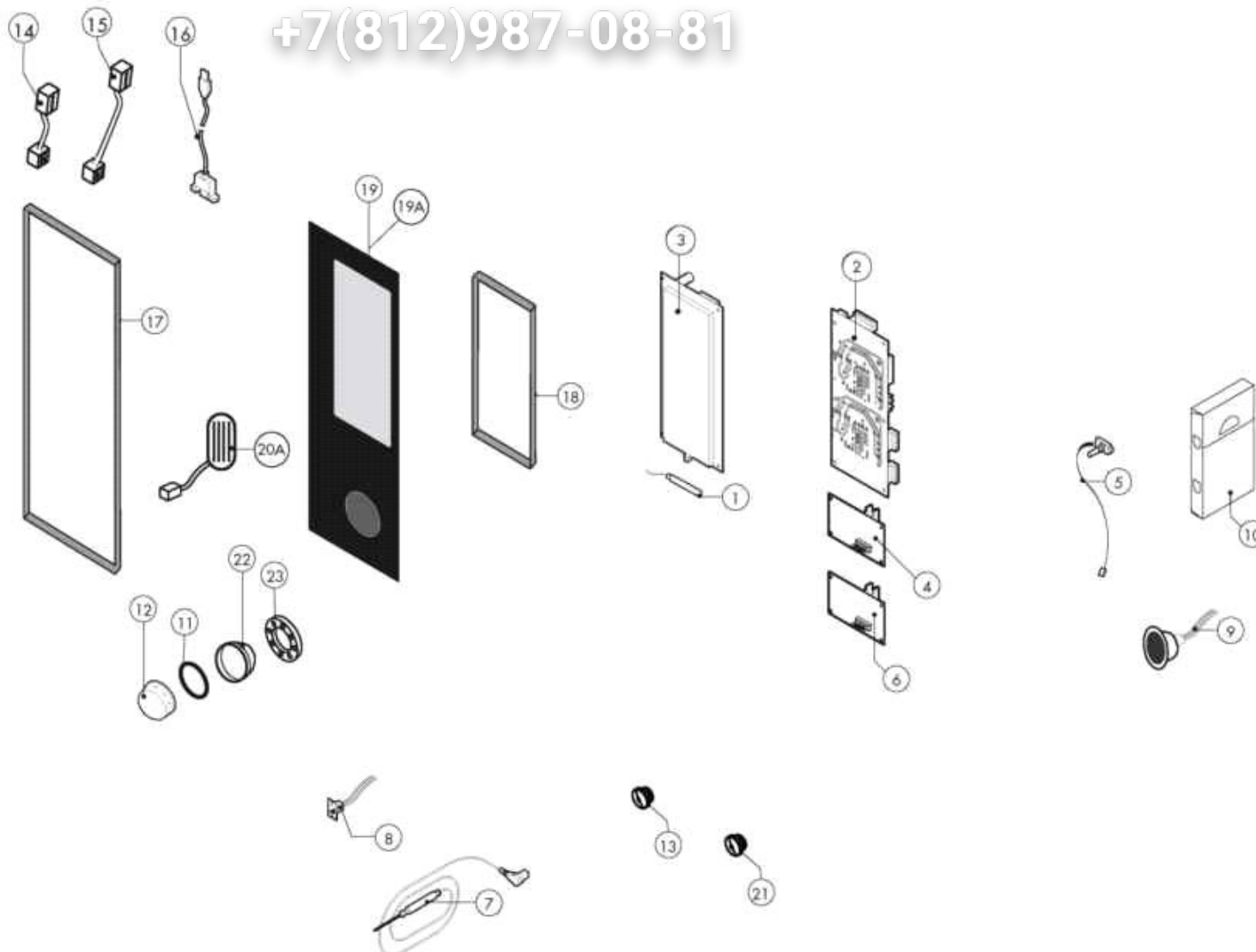
Pos.	Code	Codice precedente	Description	Notes	From:	To:
P30A	LAR69010860		PRONG [C]		6/9/2014	
P31A	LA58007180	LAR58007180	PIN [C]			
P32A	LAR14218130		FIN [C]			
P33A	LAR58007190		INTERIOR BUSH [C] FOR AUTOMATIC RELEASE			
P34A	LAR58007200		EXTERIOR BUSH [C] FOR AUTOMATIC RELEASE			
P35A	LA65090310	LAR65090310	ACTUATOR [C] LINEAR D40AM2 (220VCC)			
P36A	LA61660110	LAR61660110	FORK [C]			
P37A	LA61660120	LAR61660120	CONNECTOR [C] AXLE SM6			
P38A	LA61660130	LAR61660130	TERMINAL [C]			
P39A	LAR85340022		CAVO DI ACCIAIO INOX			
P40A	LA65210020	LAR65210020	FUSE CARRIER [C] 5X20			
P41A	LA65301760	LAR65301760	DIODE BRIDGE [C] 25A 1000V FASTON			

ATTENZIONE: PER TENSIONI SPECIALI, SPECIFICARE SEMPRE IL MODELLO DI FORNO E IL NUMERO DI SERIE.
ATTENTION: FOR SPECIAL VOLTAGES, PLEASE ALWAYS SPECIFY THE OVEN MODEL AND THE SERIAL NUMBER.

ATTENTION: POUR TENSIONS SPÉCIALES, MERCI DE SPÉCIFIER TOUJOURS LE MODÈLE DU FOUR ET LE NUMÉRO DE SÉRIE.
ACHTUNG: BEI SONDRERSPANNUNGEN, BITTE IMMER OFEN-MODELL UND SERIENNUMMER GEBEN.

ed.0614

+7(812)987-08-81



TAV. C

NAEB071

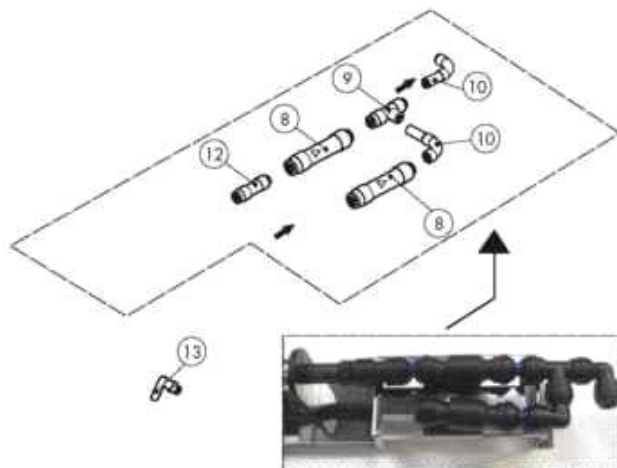
Pos.	Code	Codice precedente	Description	Notes	From:	To:
0001	LA65302560	LAR65302560	ANTENNA [C] PER SCHEDA NA 2014			
0002	LA65302480	LAR65302480	POWER BOARD [C] NABOO			
0003	LA65302491		ECARD [C] DISPLAY NABOO + FRAME			
0004	LA65302520	LAR65302520	EXPANSION BOAD [C] BOILER NABOO			
0005	LA65302500	LAR65302500	ENCODER [C] PUSH NABOO+CABLE L=60CM			
0006	LA65302530	LAR65302530	EXPANSION BOAD [C] WASHING SYSTEM NABOO			
0007	LA65321102	LAR65321100	PROBE [C] K 4P 6 PIN IMP.2012			
0008	LA65321360	LAR65321360	CONNECTOR [C] L1000 FEMALE TO CORE PROBE 6 PINS			
0009	LA65330060	LAR65330060	LOUDSPEAKER [C] CONTROL PANEL NA 2014			
0010	LAR86020400		VALIGETTA X SONDA AL CUORE TRASPARENTE			
0011	LA70010290	LAR70010290	GASKET [C] 115X2,5			
0012	LA69030240	LAR69030240	KNOB [C] ENCODER D.70 BLACK			
0013	LAR65321310		CAP [C]			
0014	LA65301740	LAR65301740	CABLE [C] SERIAL WITH PLUG RJ45 L=250			
0015	LA65301750	LAR65301750	CABLE [C] SERIAL WITH PLUG RJ45 L=600			
0016	LA65302600	LAR65302600	CABLE [C] CARD SWITCH CONNECTION USB 90° L=850			
0017	LAR80100100		PROFILE [C]			
0018	LA70040030	LAR70040030	GASKET [C] CONTROL PANEL N 2014			
0019	LA67016500	LAR67016500	KEYBOARD [C] LX N071 2014			
0021	LA65321330	LAR65321330	CAP [C] N/S 2014			
0022	LA69030320	LAR69030320	RING NUT [C] D. 116			
0023	LA69030330	LAR69030330	COUNTER FLANGE [C] D.116 FOR ENCODER N 2014			
019A	LA67016840	LAR67016840	KEYBOARD [C] LX N071 2014			
020A	LA67016870	LAR67016870	BUTTON [C] AUTOMATIC DOOR N 2014			

ATTENZIONE: PER TENSIONI SPECIALI, SPECIFICARE SEMPRE IL MODELLO DI FORNO E IL NUMERO DI SERIE.
ATTENTION: FOR SPECIAL VOLTAGES, PLEASE ALWAYS SPECIFY THE OVEN MODEL AND THE SERIAL NUMBER.

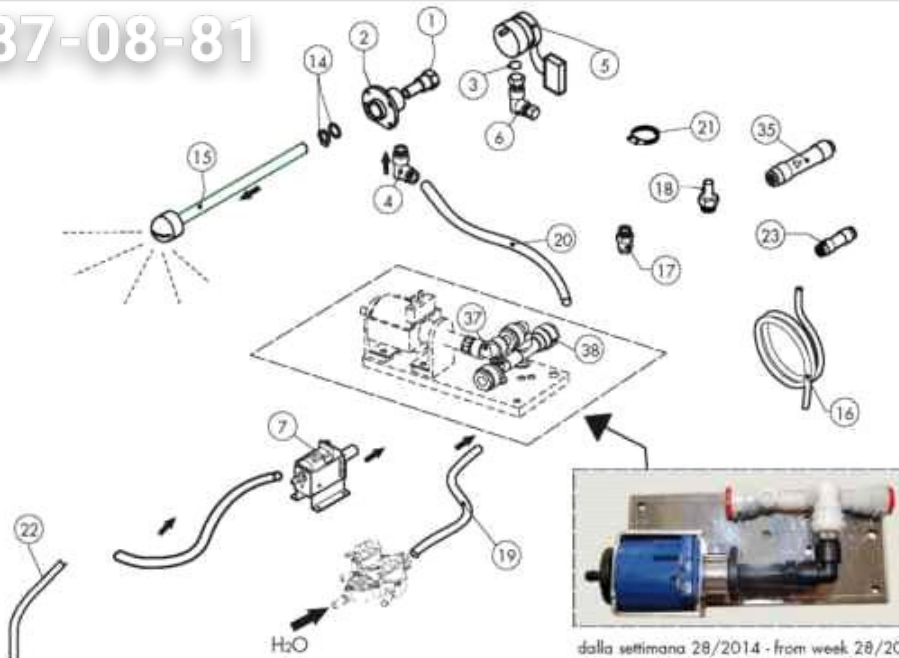
ATTENTION: POUR TENSIONS SPÉCIALES, MERCI DE SPÉCIFIER TOUJOURS LE MODÈLE DU FOUR ET LE NUMÉRO DE SÉRIE.
ACHTUNG: BEI SONDERSPANNUNGEN, BITTE IMMER OFEN-MODELL UND SERIENNUMMER GEBEN.

ed.0614

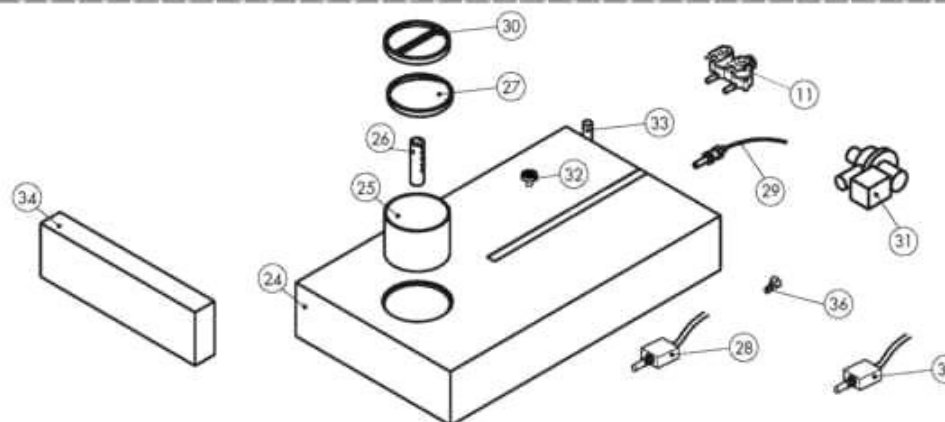
+7(812)987-08-81



fino alla settimana 27/2014 - until week 27/2014
élimine du semaine 27/2014
bis woche 27/2014 - eliminato del semana 27/2014



dalla settimana 28/2014 - from week 28/2014
du semaine 28/2014 - vom woche 28/2014
del semana 28/2014



TAV. D

NAEB071

Pos.	Code	Codice precedente	Description	Notes	From:	To:
0001	LAR58007000		PIN [C]			
0002	LAR58007020		FLANGE [C]			
0003	LA70010080	LAR70010080	GASKET [C] OR 14X2 VITON DIN 931			
0004	LA62090663	LAR62090663	CONNECTOR [C] 10X1/4			
0005	LA65090260	LAR65090260	GEARMOTOR [C]			
0006	LA62090633	LAR62090633	CONNECTOR [C] 10/10			
0007	LAR65110600		PUMP [C]			
0008	LA65110680	LAR65110680	VALVE [W] J.G. 10SCV			7/4/2014
0009	LA62090468	LAR62090468	CONNECTOR [C] T D.10			7/4/2014
0010	LA62090528	LAR62090528	CONNECTOR [C] 10X10			7/4/2014
0011	LAR65110210		SOLENOID VALVE [C] 220V 50HZ 2 WAYS			
0012	LA62090618	LAR62090618	REDUCTION [C] Å~10-Å~8			7/4/2014
0013	LA62090678	LAR62090678	ELBOW [C] Å,8-Å,8			7/4/2014
0014	LAR70045120		GASKET [C]			
0015	LAR58007420	LAR58007040	WASHING HEAD [C] L=115(071/T07)			
0016	LA80150040	LAR70070080	PIPE [C]			
0017	LAR62090508		CONNECTOR [C]			
0018	LA62090518	LAR62090518	CONNECTOR [C] 10X1/4			
0019	LA80120060	LAR80120060	PIPE [C]			
0020	LA80150000	LAR80150000	PIPE [C]			
0021	LA61630121	LAR61630121	ZINC CLAMP [C] WITH SPRING D.13,7MM			
0022	LA80150020	LAR80150020	PIPE [C]			
0023	LA62090878	LAR62090878	CONNECTOR [C] D.8			
0024	LAR14162580		COMPLETE DETERGET DRAWER [C]	50Hz		
0024	LAR14166020		COMPLETE DETERGET DRAWER [C]	60Hz		
0025	LA69040060	LAR69040060	FILTER [C] MIXING TRAY N/S 2014			
0026	LA69040050	LAR69040050	VAPORISER [C]			
0027	LA69040020	LAR69040020	RING NUT [C] D. 90			
0027	LA69040021		GHIERA D.90 CASS.MISCEL.DET. N/S 2016		2/7/2017	
0028	LAR65260900		MICROINT.CASSETTO MISCELAZIONE N/S 2014	Sostituito da Pos.39 Codice LAR65260900K		

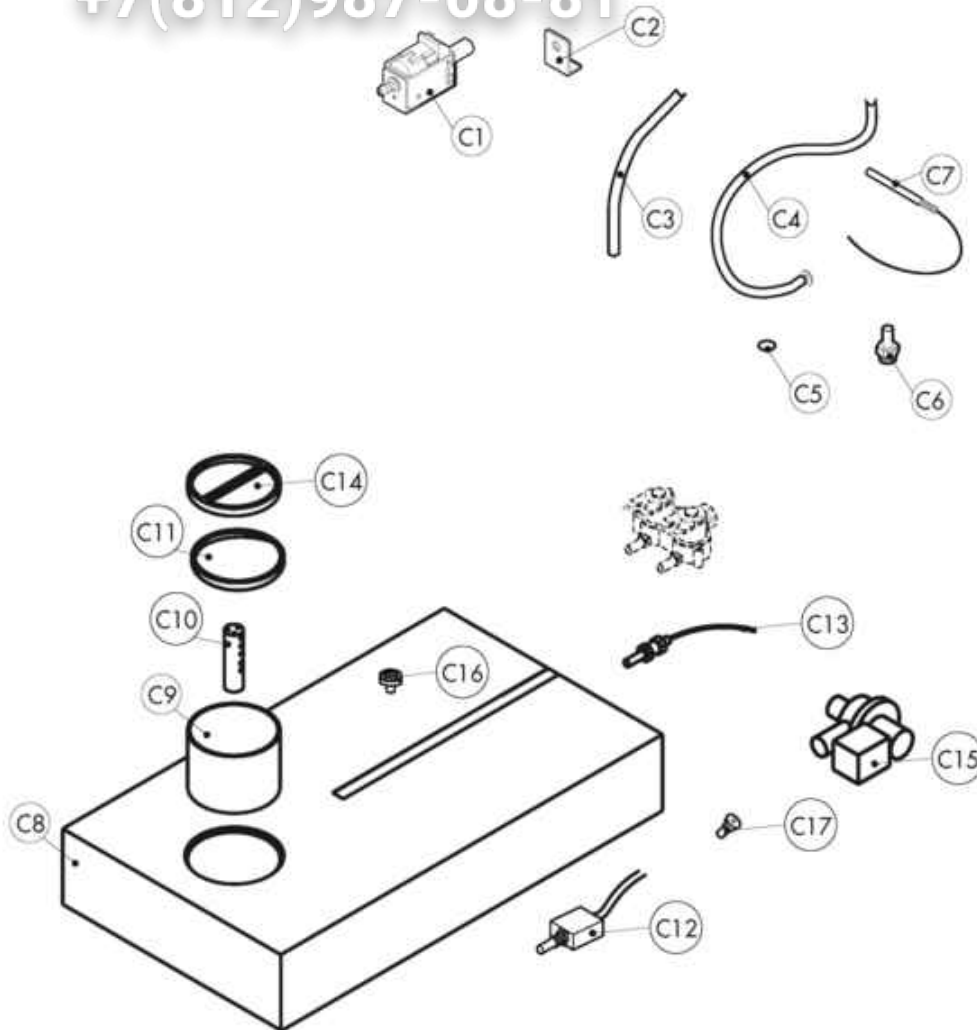
Pos.	Code	Codice precedente	Description	Notes	From:	To:
0029	LA65260910	LAR65260910	CONTROL [C] LEVEL MIXING TRAY N/S 2014			
0030	LA69040040	LAR69040040	CAP [C] N/S 2014 D. 90			
0031	LA65110300	LAR65110300	PUMP [C] 220V 50HZ	50Hz		
0031	LA65110310	LAR65110310	PUMP [C] 220V 60HZ	60Hz		
0032	LAR62090718		FILTER [C] D.5			
0033	LAR58006960		PIN [C] DRAWERS DIVISION N/S 071-101 2014 D9			
0034	LA69040070	LAR69040070	FALSE DRAWER [C] FRAME N/S 2014			
0035	LA65110690	LAR65110690	CONNECTOR [C] 3/4F+JG10			
0036	LAR58006951		PIN [C] L. 21			2/6/2017
0037	LA62090498	LAR62090498	CONNECTOR [C] D.8		7/7/2014	
0038	LA62090888	LAR62090888	MANIFOLD [C] 3WAYS-2D.10+1D.8+3 NO RETURN CONTROL		7/7/2014	
0039	LAR65260900K		MICROSWITCH [C]			

ATTENZIONE: PER TENSIONI SPECIALI, SPECIFICARE SEMPRE IL MODELLO DI FORNO ELETTRICO E IL NUMERO DI SERIE.
ATTENTION: FOR SPECIAL VOLTAGES, PLEASE ALWAYS SPECIFY THE OVEN MODEL AND THE SERIAL NUMBER.

ATTENTION: POUR TENSIONS SPÉCIALES, MERCI DE SPÉCIFIER TOUJOURS LE MODÈLE DU FOUR ET LE NUMÉRO DE SÉRIE.
ACHTUNG: BEI SONDERSPANNUNGEN, BITTE IMMER OFEN-MODELL UND SERIENNUMMER GEBEN.

ed.0614

+7(812)987-08-81



Pos.	Code	Codice precedente	Description	Notes	From:	To:
00C1	LAR65110620		PUMP [C] 230V 50HZ			
00C3	LA80150020	LAR80150020	PIPE [C]			
00C4	LA11429630	LAR11429630	PIPE [C]			
00C5	LA62070023	LAR62070023	BICONE [C] D. 6			
00C6	LA62060223	LAR62060223	NUT [C] D. 6			
00C7	LA65324550	LAR65324550	PROBE [C] LEVEL CALOUT TL 10/B EL=20 TF=15			
00C8	LAR14162590		COMPLETE DECALCIFER DRAWER [C]	50Hz		
00C8	LAR14166030		CASSETTO DECALCIFICANTE COMPLETO 60Hz	60Hz		
00C9	LA69040060	LAR69040060	FILTER [C] MIXING TRAY N/S 2014			
OC10	LA69040050	LAR69040050	VAPORISER [C]			
OC11	LA69040011		GHIERA D.80 CASS.MISCEL.DEC. N/S 2016		2/7/2017	
OC11	LAR69040010		RING NUT [C] D. 80			
OC12	LAR65260900A		MICROSWITCH [C]			
OC13	LA65260910	LAR65260910	CONTROL [C] LEVEL MIXING TRAY N/S 2014			
OC14	LAR69040030		CAP [C] N/S 2014 D. 80			
OC15	LA65110300	LAR65110300	PUMP [C] 220V 50HZ	50Hz		
OC15	LA65110310	LAR65110310	PUMP [C] 220V 60HZ	60Hz		
OC16	LAR62090718		FILTER [C] D.5			
OC17	LAR58006941		PIN [C] L. 26			2/6/2017
OC17	LAR58007430		PERNO MICRO L=28.5 C/SEDE MOLLA CAS.DEC.		2/7/2017	