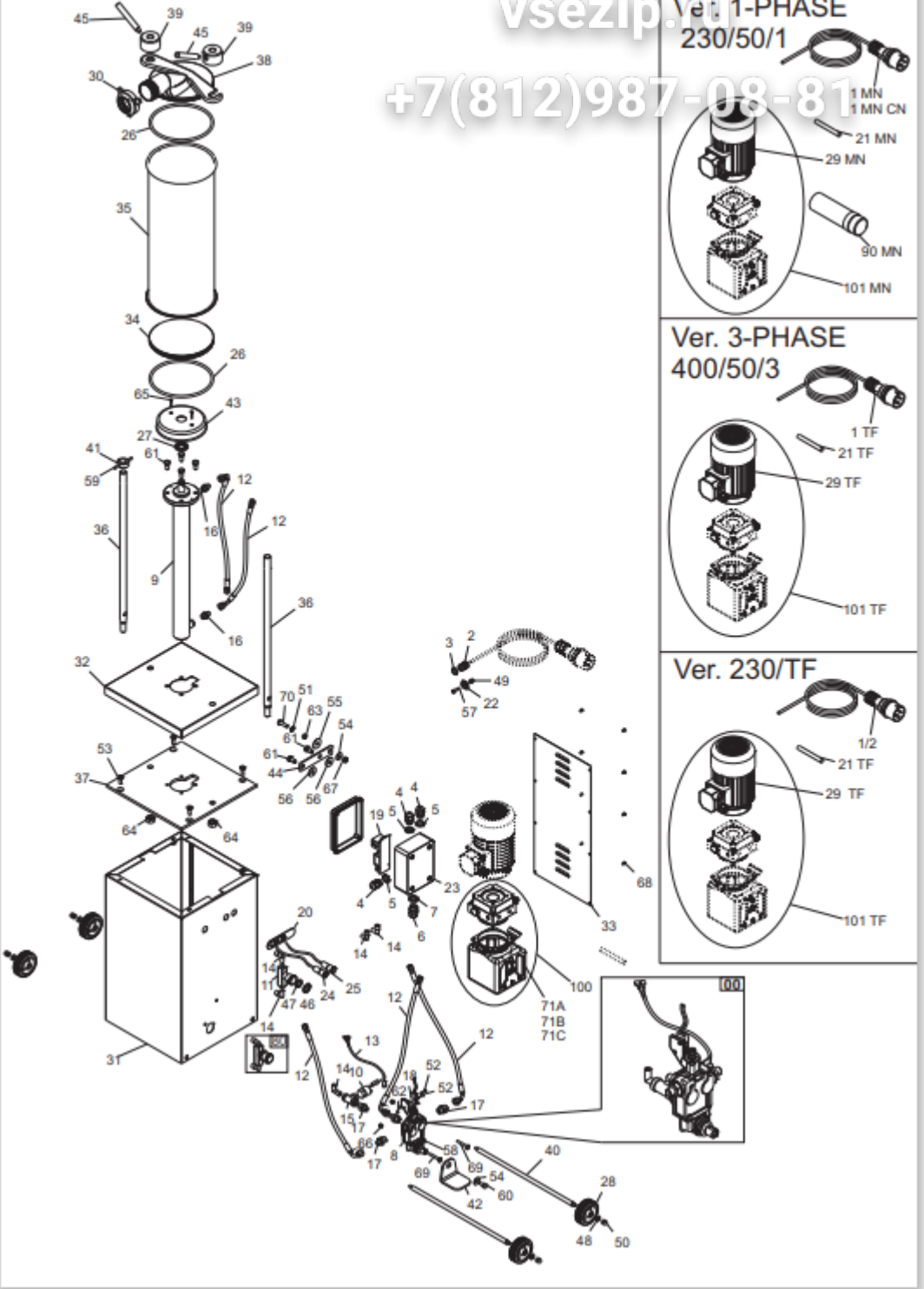


Зип Общепит

vsezip.ru

+7(812)987-08-81



Зип Общепит

| REF | ARTIKELNUMMER | KODE | Q |
|----------|--|--------------|---|
| 00 | CONTROL UNIT BM25 _ IS IDRA | LF1012505 | 1 |
| 01 MN | CAVO + SPINA CEE 2P + T | LF1010050 | 1 |
| 01 TF | POWER CORD + PLUG CEE 3P + T | LF1010047 | 1 |
| 01 MN CN | CAVO 3X1 CON SPINA CHINA 10A L=3000 | LF1000416025 | 1 |
| 01/2 | CAVO+SPINA CEE 3P+T 230/TF | LF1010049 | 1 |
| 02 | STRAIN RELIEF + NUT | LF1010063 | 1 |
| 03 | DADO OTT.NICH.PG 11 | LF1010063A | 1 |
| 04 | PRESSACAVO PLASTICA PG 11 | LF1010072 | 5 |
| 05 | DADO PLASTICA PG 11 | LF1010072A | 1 |
| 06 | PRESSACAVO PG 13,5 | LF1010075 | 1 |
| 07 | DADO PLASTICA PG 13,5 | LF1010075A | 1 |
| 08 | VALVE DISTRIBUTION UNIT_ IS 15 IDRA | LF1012501 | 1 |
| 09 | CILIND.OLIOD.STELO IX IS 15 STEL+15 | LF1012512 | 1 |
| 10 | PRESSURE SWITCH K4/ZCF 1/P1 FOX20/20 | LF1013002 | 1 |
| 11 | VALVE FOR IS 25 IDRA | LF1013003 | 1 |
| 12 | CONNECTION PIPE 800MM | LF1013005 | 1 |
| 13 | CABLE,MICRO-PRESSURE SWITCH_ IS IDRA | LF1013007 | 1 |
| 14 | PIPE CONNECTION FOR IS 25 IDRA | LF1013013 | 1 |
| 15 | ADATTATORE F+F+F 04-1/4" STAMP. (606 | LF1013014 | 1 |
| 16 | NIPPLES GUARNIZ. 04 1/4" IS 24 NEW | LF1013015 | 1 |
| 17 | NIPPLES 06 3/8" X 1/4" IDRA | LF1013016 | 1 |
| 18 | MICRO INT. PEDALIERA IS IDRA | LF1013018 | 1 |
| 19 | PLATINE 230/400 | 19411000.12 | 1 |
| 20 | KEY PAD IS-SO | LF1013032 | 1 |
| 21 TF | CAVETTO ALIMENT. MOTORE TF TC BZ 5X1,5 CON MASSA L=800 OCC.5 + FAST | LF1030522030 | 1 |
| 21 MN | CAVETTO MOTORE 3X1.5/MN L=860 | LF1010053 | 1 |
| 22 | MORSETTO A PETTINE X EQUIPOTENZ. BZ | LF1030522050 | 1 |

Зип Ощепит

| REF | ARTIKELNUMMER | KODE | Q |
|-------|-------------------------------------|-----------|----|
| 23 | SCAT.GRIGIA ELETTR. ABB. 0852 | LF1041006 | 1 |
| 24 | S/S ON BUTTON W/LIGHT OMEGA 24 V | LF1041015 | 1 |
| 25 | S/S OFF BUTTON | LF1041016 | 1 |
| 26 | OR 8725 | LF1211002 | 1 |
| 27 | ANEL.TEN. 20-40-6 TIPO A X IS VARIA | LF1212505 | 1 |
| 28 | WHEEL, D.80X25 SC 80 IDRA | LF1513001 | 1 |
| 29 TF | MOTOR WURSTFUPELL IDRA 400/50-60/3 | LF1813001 | 1 |
| 29 MN | MOTOR SAUSAGEFILL IDRA 230/50-60/1 | LF1813002 | 1 |
| 29/3 | MOTOR HP 0.75 B14 230/60HZ | LF1813005 | 1 |
| 30 | MUTTER _ IS | LF2011014 | 1 |
| 31 | CARENATURA INOX IS 15 DRI | LF2012501 | 1 |
| 32 | COPERC.CARENA INOX IS 15 DRI | LF2012503 | 1 |
| 33 | CARTER CHIUSU.INOX IS 15 DRI | LF2012504 | 1 |
| 34 | TAMPONE INOX V.IND IS 15 VARIA | LF2012519 | 1 |
| 35 | CILINDRO H=510 IS 15 VARIA | LF2012512 | 1 |
| 36 | SHAFT, LID HOLDER IS15 IDRA | LF2012515 | 1 |
| 37 | PIASTRA SUP. CILIN. ZIN IS 15 VARIA | LF2012517 | 1 |
| 38 | COPERCHIO CHIUS.IX IS 15 V.IND | LF2012518 | 1 |
| 39 | ANELLA BLOCCAGGIO IS 15 DRI | LF2012522 | 1 |
| 40 | HOLDING WHEEL SHAFT _ IS 15 IDRA | LF2012525 | 1 |
| 41 | RING, LID HOLDER IS15 IDRA | LF2012527 | 1 |
| 42 | FOOT CONTROL FOR IDRA 25 | LF2013010 | 1 |
| 43 | PROTEZ. CIL.IN PVC NERO DRI 25 | LF2013013 | 1 |
| 44 | SUPPORTO CENTRALINA DRI 25 | LF2013014 | 1 |
| 45 | LEVA ANELLA BLOCCAGGIO DRI 25 | LF2013024 | 1 |
| 46 | VALVE RING NUT FOR IS 25 IDRA | LF2013040 | 1 |
| 47 | BRASS NUT FOR IS 25 IDRA | LF2013042 | 1 |
| 48 | FLAT WASHER DIN 125 D 8 | IX2125008 | 20 |

vsezip.ru

+7(812)987-08-81

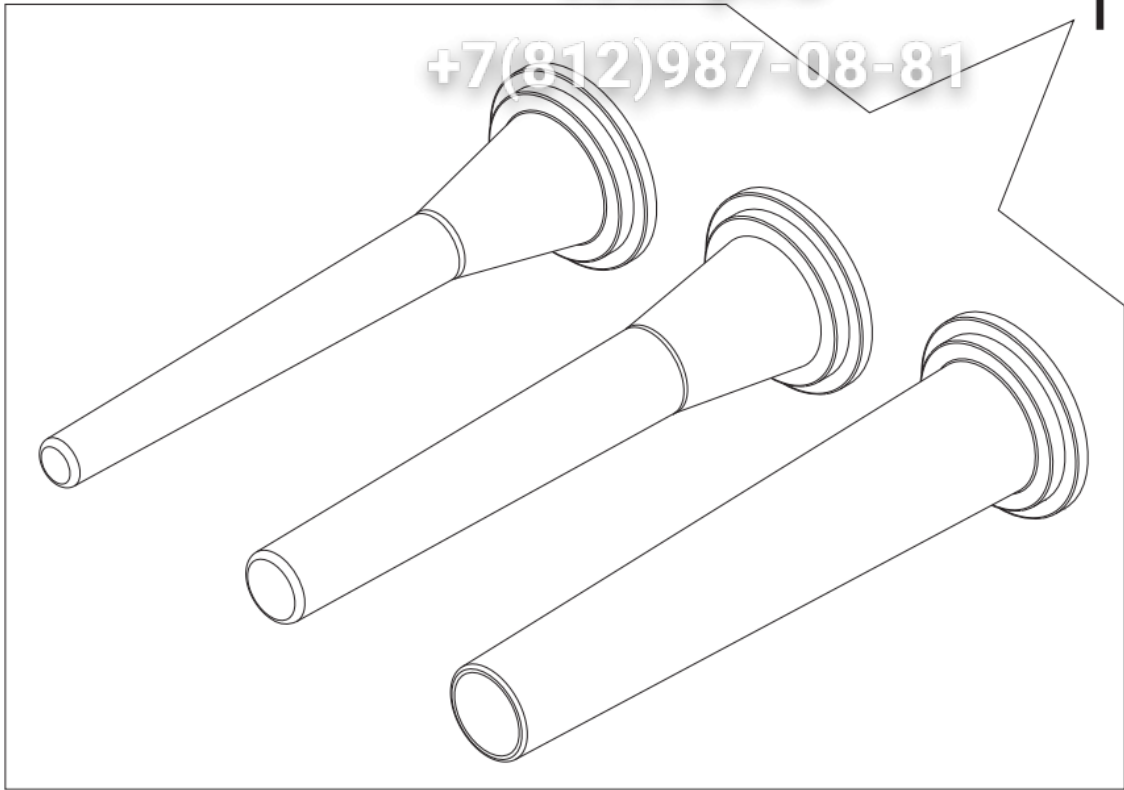
Зип Общепит

| REF | ARTIKELNUMMER | KODE | Q |
|--------|-------------------------------------|---------------|----|
| 49 | CAP NUT DIN 1587 M 6 | IX21587LC006 | 10 |
| 50 | CAP NUT DIN 1587 M8 | IX21587LC008 | 10 |
| 51 | TOOTHED WASHER DIN 6798-A D 8,2 | IX2673JAL08 | 20 |
| 52 | VITE TC+ DIN 7985 M3X20 | IX27985003020 | 1 |
| 53 | VITE TSPEI DIN 7991 M 8X25 | IX27991008025 | 10 |
| 54 | WASHER DIN 9021 D 8X24 | IX29021008024 | 10 |
| 55 | WASHER THICK DIN 9021 D 8X32 | IX29021008032 | 10 |
| 56 | RONDELLA F.LARGA DIN 9021 D 10X30 | IX29021010030 | 10 |
| 57 | HEX. SOCKET HEAD CAP SCREW M6 X 20 | IX2912006020 | 10 |
| 58 | GRUB SCREW DIN 913 M8 X 10 CE | IX2913008010 | 10 |
| 59 | GRUB SCREW DIN 916 M 6X8 CE | IX2916006008 | 20 |
| 60 | SCREW TE DIN 933 M 8X16 T.F. | IX2933008016 | 10 |
| 61 | VITE TE DIN 933 M 10X20 T.F. | IX2933010020 | 10 |
| 62 | NUT DIN 934 M3 | IX2934003 | 10 |
| 63 | HEX.NUT DIN 934 M8 | IX2934008 | 20 |
| 64 | NUT ES. DIN 934 M 16 | IX2934016 | 5 |
| 65 | VITE TSP- DIN 963 M 4X25 | IX2963004025 | 10 |
| 66 | LOCKNUT ES DIN 982 M6 ALTO | IX2982006 | 20 |
| 67 | DADO AUTOBLOCC. ES DIN 982 M 8 ALTO | IX2982008 | 10 |
| 68 | VITE POELIERS M 4X8 | IX2POEL004008 | 20 |
| 69 | VITE POELIERS M 6X50 | IX2POEL006050 | 10 |
| 70 | SCREW POELIERS M 8X30 | IX2POEL008030 | 1 |
| 71B | PLASTIC TANK 1,5 LT _ IS 15/24/35 | LF1013012 | 1 |
| 71C | SERB. PLAST 1,5 LT IS 15/24/35 TECF | LF1013019 | 1 |
| 71A | PLASTIC TANK, IS IDRA | LF1013011 | 1 |
| 80 | RUBINETTO INSACCATRICI ASSEMBLATO | LF1013048 | 1 |
| 90 MN | CONDENSATORE DA 20 UF | LF1011020 | 1 |
| 100 | HYDRAULIC PUMP FOR IDRA 25-35 | LF1013001 | 1 |
| 101 MN | ASS. CENTR + MOTORE MN X IS 15-24 | LF1013053 | 1 |
| 101 TF | ASS. CENTR + MOTORE TF X IS 15-24 | LF1013050 | 1 |

Зип Общепит

vsezip.ru

+7(812)987-08-81

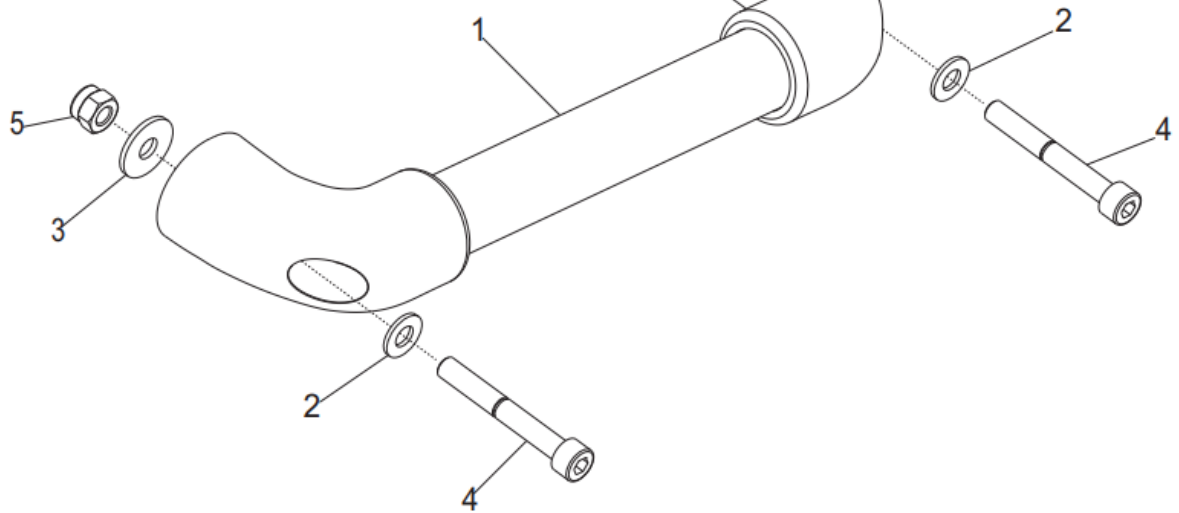


| REF | ARTIKELNUMMER | KODE | Q |
|-----|-------------------------------------|-----------|---|
| 01 | SET POLYETH.NOZZLES Ø 10-18-25 _ IS | LF2011015 | 1 |

Зип Общепит

vsezip.ru

+7(812)987-08-81



| REF | ARTIKELNUMMER | KODE | Q |
|-----|-------------------------------------|---------------|----|
| 01 | MANIGLIA TERMINALE MTR30-300 | LF1513010 | 1 |
| 02 | FLAT WASHER DIN 125 D 8 | IX2125008 | 20 |
| 03 | WASHER DIN 9021 D 8X24 | IX29021008024 | 10 |
| 04 | VITE TCEI DIN 912 M 8X60 | IX2912008060 | 5 |
| 05 | DADO AUTOBLOCC. ES DIN 982 M 8 ALTO | IX2982008 | 10 |