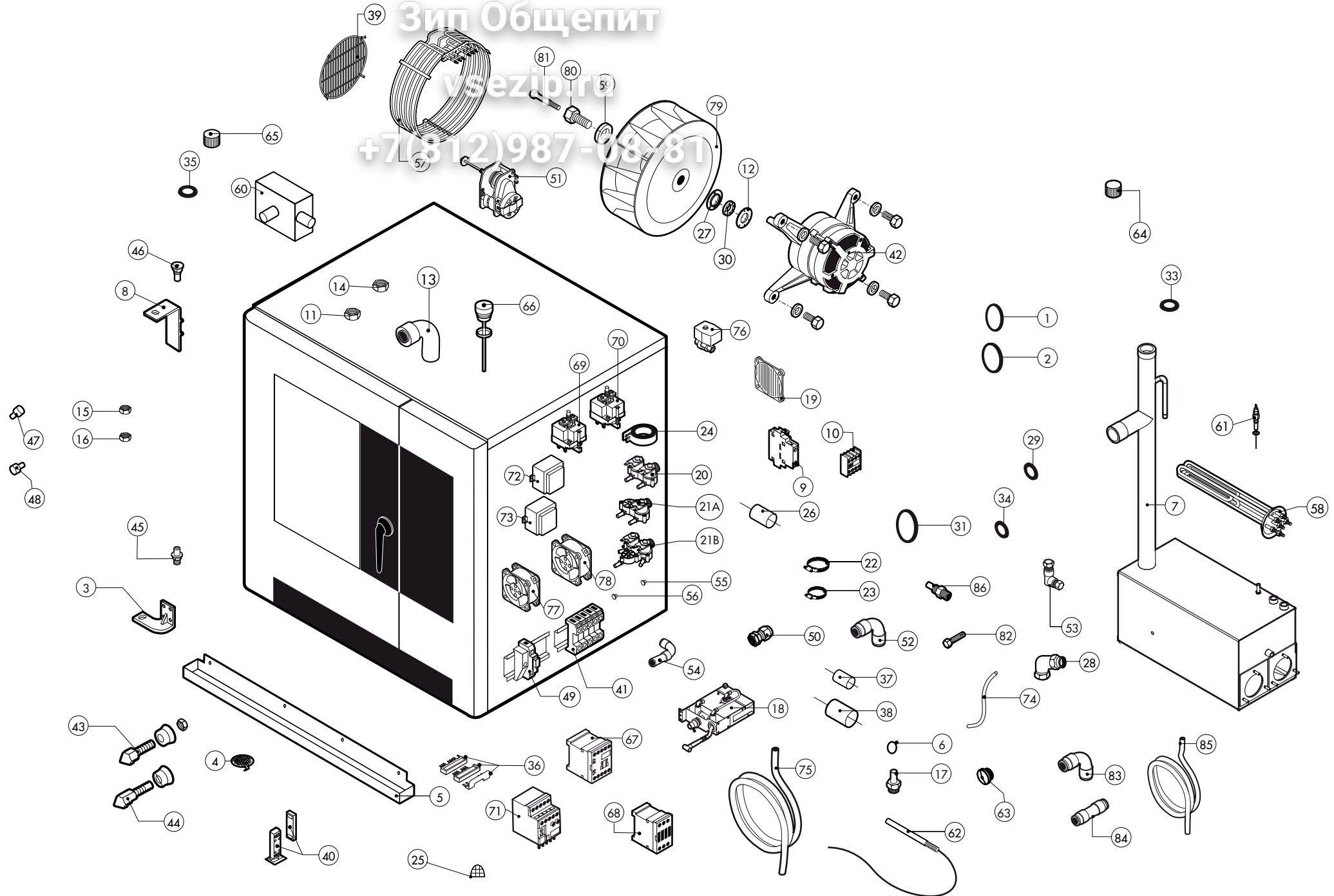


Зип Общепит

vsezip.ru

+7(812)987-08-81



ATTENZIONE: PER ORDINARE I RICAMBI, SPECIFICARE SEMPRE IL MODELLO DI FORNO ED IL NUMERO DI MATRICOLA
ATTENTION: WHEN ORDERING SPARE PARTS, PLEASE ALWAYS SPECIFY THE OVEN MODEL AND THE SERIAL NUMBER

ATTENTION: POUR COMMANDER DES PIÈCES, MERCI DE SPECIFIER TOUJOURS LE MODÈLE DU FOUR ET LE NUMÉRO DE SÉRIE
ACHTUNG: UM ERSATZTEILE ZU BESTELLEN, BITTE IMMER OFEN-MODELL UND SERIENNUMMER GEBEN.

ed. 0614

POS.	COD.	Pz.	DESCRIZIONE	DESCRIPTION	DESCRIPTION	BESCHREIBUNG	DESCRIPCIÓN
1	R70010360	1	ANELLO V-SEAL VA-0040 NBR	RING V-SEAL VA-0040 NBR	ANNEAU V-SEAL VA-0040 NBR	RING V-SEAL VA-0040 NBR	ANILLO V-SEAL VA-0040 NBR
2	R70010370	2	ANELLO V-SEAL VA-0050 NBR	RING V-SEAL VA-0050 NBR	ANNEAU V-SEAL VA-0050 NBR	RING V-SEAL VA-0050 NBR	ANILLO V-SEAL VA-0050 NBR
3	R11207240	1	ASS. CERNIERA INF. M-V/061-101-102 2005	LOWER DOOR HINGE	CHARNIERE INFÉRIEURE PORTE	UNTERES SCHARNIER	BISAGRA INFERIOR
4	R10201710	1	ASS. FILTRO DI SCARICO D.86/44.5 M/210-12	DRAIN FILTER	FILTRE ENCEINTE	ABFLUSSFILTER	FILTRO DESAGUE
5	R69180210	1	BACINELLA SCARICO N/S071-101 2014	DRIP TRAY	PLATEAU D'ÉGOUTTEMENT	WASSERTROPFFASSE	BANDEJA DEL GOTEO
6	R62070023	5	BICONO PILOTA TUBO D.6 905.	BICONE D.6	BICONE D. 6	KEGEL D.6	BICONO D.6
7	R14217020	1	BOILER COMPLETO GEMT10/NA-SAEB101	STEAM GENERATOR ASSEMBLY	CHAUDIÈRE COMPLETE	DAMPFERZEUGER KOMPLETT	BOILER COMPLETO
8	R14402130	1	CERNIERA SUPERIORE PORTA N/S 2014	UPPER DOOR HINGE	CHARNIERE SUPERIEURE PORTE	OBERES SCHARNIER	BISAGRA SUPERIOR
9	R65140430	1	CONT.AUS. 1L+1R 3RH1921-1EA11 SIEMENS	AUX.CONTACT 1L+1R	CONTACT AUXILIAIRE 1L+1R	ZUSÄTZLICHER KONTAKT 1L+1R	CONTACTO AUXILIAR 1L+1R
10	R65140420	1	CONT.AUS. 1L+1R 3RH1911-1FA11 SIEMENS	AUX.CONTACT 1L+1R	CONTACT AUXILIAIRE 1L+1R	ZUSÄTZLICHER KONTAKT 1L+1R	CONTACTO AUXILIAR 1L+1R
11	R65240040	1	CONTRODADO PER RACCORDO 107 Z/29	CABLE GLAND LOCK NUT	CONTRE-ECROU POUR RONDELLE FIXATION	MUTTER	CONTRODADO PASACABLE
12	R58003850	1	CONTROFLANGIA GUARN. GRANDE	MOTOR GASKET BRASS COUNTER FLANGE	CONTRE-BRIDE JOINT MOTEUR	GEGENFLANSCH F. MOTORDICHTUNG	CONTRABRIDA JUNTA MOTOR
13	R62280038	1	CURVA C/MORSET.HTS-HTSW X TUBO D.50 D.50X	CURVE WITH TERMINAL	COURBE AVEC BORNIER	KURVE MIT KLEMM	CURVA CON REGLETERA
14	R58004030	1	DADO INOX 1"1/4X10 M/110-210-220	NUT	ECROU	MUTTER	TUERCA
15	R58004050	1	DADO PER PERNO CERNIERA REG. M/106-220	NUT FOR UPPER DOOR HINGE	ECROU CHEVILLE CHARNIERE SUPERIEURE	MUTTER F. OBERES SCHARNIERSTIFT	TUERCA PARA PERNO BISAGRA SUPERIOR
16	R58000360	1	DADO PER PERNO CERNIERA REG. N/S 2014	NUT FOR UPPER DOOR HINGE	ECROU CHEVILLE CHARNIERE SUPERIEURE	MUTTER F. OBERES SCHARNIERSTIFT	TUERCA PARA PERNO BISAGRA SUPERIOR
17	R62060223	5	DADO PILOTA TUBO D.6 0903/1.	NUT D.6	ECROU D. 6	MUTTER D.6	DADO D.6
18	R62200172	1	DOCCIONE AV. N071/101/072/102 2014	SHOWER KIT	KIT DOUCHETTE	HANDBRAUSESATZ	KIT DUCHA
19	R75300020	1	MASCHERINA VENTILATORE D.120 PER VENT.	FAN GUARD GRID D.120	GRILLE VENTILATEUR D.120	VENTILATORSCHUTZGITTER D.120	REJILLA VENTILADOR D.120
20	R65110210	1	E.V. 2 VIE 220V 50HZ X J.G. CON ATTACC FINO ALLA SETTIMANA 10/2015	SOLENOID VALVE 2 VIE 220V 50HZ UNTIL WEEK 10/2015	ELECTROVANNE 2 VIE 220V 50HZ ÉLIMINÉ DU SEMAINE 10/2015	MAGNETVENTIL 2 VIE 220V 50HZ BIS WOCHE 10/2015	ELECTROVALVULA 2 VIE 220V 50HZ ELIMINATO DEL SEMANA 10/2015
20	R65110330	1	E.V. 2 VIE 230V 50/60HZ OUT J.G. D.10 DALLA SETTIMANA 10/2015	SOLENOID VALVE 2 VIE 230V 50/60HZ OUT J.G. D.10 SINCE WEEK 10/2015	ELECTROVANNE 2 VIE 230V 50/60HZ OUT J.G. D.10 DU SEMAINE 10/2015	MAGNETVENTIL2 VIE 230V 50/60HZ OUT J.G. D.10 VOM WOCHE 10/2015	ELECTROVALVULA 2 VIE 230V 50/60HZ OUT J.G. D.10 DEL SEMANA 10/2015
21A*	R65110230	1	E.V. 2 VIE 1P+1D 220V/50HZ J. G. CON ATTACC FINO ALLA SETTIMANA 10/2015	SOLENOID VALVE 2 VIE 220V 50HZ UNTIL WEEK 10/2015	ELECTROVANNE 2 VIE 220V 50HZ ÉLIMINÉ DU SEMAINE 10/2015	MAGNETVENTIL 2 VIE 220V 50HZ BIS WOCHE 10/2015	ELECTROVALVULA 2 VIE 220V 50HZ ELIMINATO DEL SEMANA 10/2015
21A*	R65110340	1	E.V. 2 VIE 1PD+1D 230V 50/60HZ OUT J.G. D.10 DALLA SETTIMANA 10/2015	SOLENOID VALVE 1PD+1D 230V 50/60HZ OUT J.G. D.10 SINCE WEEK 10/2015	ELECTROVANNE 1PD+1D 230V 50/60HZ OUT J.G. D.10 DU SEMAINE 10/2015	MAGNETVENTIL 1PD+1D 230V 50/60HZ OUT J.G. D.10 VOM WOCHE 10/2015	ELECTROVALVULA 1PD+1D 230V 50/60HZ OUT J.G. D.10 DEL SEMANA 10/2015
21B**	R65110240	1	E.V. 3 VIE 2P+1D 220V/50HZ J.G. CON ATTACC FINO ALLA SETTIMANA 10/2015	SOLENOID VALVE 3 VIE 220V 50HZ UNTIL WEEK 10/2015	ELECTROVANNE 3 VIE 220V 50HZ ÉLIMINÉ DU SEMAINE 10/2015	MAGNETVENTIL 3 VIE 220V 50HZ BIS WOCHE 10/2015	ELECTROVALVULA 3 VIE 220V 50HZ ELIMINATO DEL SEMANA 10/2015
21B**	R65110360	1	E.V. 3 VIE 2P+1D 230V 50/60HZ OUT J.G. D.10 DALLA SETTIMANA 10/2015	SOLENOID VALVE 3VIE 2P+1D 230V 50/60HZ OUT J.G. D.10 SINCE WEEK 10/2015	ELECTROVANNE 3VIE 2P+1D 230V 50/60HZ OUT J.G. D.10 DU SEMAINE 10/2015	MAGNETVENTIL 3VIE 2P+1D 230V 50/60HZ OUT J.G. D.10 VOM WOCHE 10/2015	ELECTROVALVULA 3VIE 2P+1D 230V 50/60HZ OUT J.G. D.10 DEL SEMANA 10/2015
22	R61630031	6	FASCETTE ZINC.40-60/9	METAL CLAMPS 40-60/9	COLLIER DE SERRAGE 40-60/9	VERZINKTE SCHELLEN 40-60/9	ABRAZADERA 40-60/9
23	R61630011	2	FASCETTE ZINC.12-22/9	METAL CLAMPS	COLLIER DE SERRAGE	VERZINKTE SCHELLEN	ABRAZADERA
24	R65280490	1	FERRITE TOROIDALE FT36	FERRITE FT36	FERRITE FT36	FERRIT FT36	FERRITA FT36
25	R69180250	1	FILTRO SCARICO BACINELLA	SUPPRESSOR	FILTRE	FILTER	FILTRO
26	R65280200	3	FILTRO Cx=0,47µF Cy=2X10nF	INTERFERENCE SUPPRESSOR	FILTRE ANTIPARASITES	STOERSCHUTZFILTER	FILTRO
27	R58003840	1	FLANGIA GUARN. GRANDE	MOTOR GASKET BRASS FLANGE	BRIDE JOINT MOTEUR	FLANSCH F. MOTORDICHTUNG	BRIDA JUNTA MOTOR
28	R62080093	1	GIUNTO 3 PZ. CURVO MF 1"	COUPLING	COUPLAGE	VERBINDUNG	ENGANCHE
29	R70010030	1	GUARNIZIONE OR 6,07 X 1,78 SILICONE	GASKETS	JOINT	RINGDICHTUNG	JUNTA
30	R70020050	1	GUARNIZIONE MARK IV MLA 2400.02.05	GASKETS	JOINT	RINGDICHTUNG	JUNTA
31	R70010130	1	GUARNIZIONE SILICONE ROSSO 80x50,3x3	RED GASKETS 80x50,3x3	JOINT ROUGE 80x50,3x3	ROTEN DICHTUNG 80x50,3x3	JUNTA ROJA 80x50,3x3
32	R70010150	1	GUARNIZIONE SILICONE ROSSO 55x35x3	RED GASKETS 55x35x3	JOINT ROUGE 55x35x3	ROTEN DICHTUNG 55x35x3	JUNTA ROJA 55x35x3
33	R70050140	1	GUARNIZIONE X TAPPO BOYLER PLAST. G40015	GASKETS	JOINT	RINGDICHTUNG	JUNTA
34	R70010210	1	GUARNIZIONE OR NBR 70 18,72x2,62 C.3075	GASKET OR 18,72x2,62	JOINT OR 18,72x2,62	RINGDICHTUNG OR 18,72x2,62	JUNTA OR 18,72x2,62
35	R70050150	1	GUARNIZIONE X TAPPO 2" PLAST.G40005	GASKETS	JOINT	RINGDICHTUNG	JUNTA
36	R65140370	1	KIT INVERSIONE X Telerutt. 4KW SIEMENS	INVERSION KIT FOR CONTACTOR 4KW	KIT D'INVERSION POUR CONTACTEUR 4KW	KIT WENDEN SCHUETZ 4KW	KIT INVERSION CONTACTOR 4KW
37	R70060080	1	MANICOTTO SILICONE D.13X18X80	SILICON SLEEVE	SILICONE SLEEVE	SILIKONHÜLLE	FUNDA DE SILICONA

A* - forni senza sistema di lavaggio, oven without washing system, four sans systèmes de lavage, Dämpfer ohne Reinigungssysteme, hornos sin sistema de lavado

B** - forni con sistema di lavaggio, oven with washing system, four avec systèmes de lavage, Dämpfer mit Reinigungssysteme, hornos con sistema de lavado

TAV. A

SAEB101

ATTENZIONE: PER ORDINARE I RICAMBI, SPECIFICARE SEMPRE IL MODELLO DI FORNO ED IL NUMERO DI MATRICOLA
ATTENTION: WHEN ORDERING SPARE PARTS, PLEASE ALWAYS SPECIFY THE OVEN MODEL AND THE SERIAL NUMBER

ATTENTION: POUR COMMANDER DES PIÈCES, MERCI DE SPECIFIER TOUJOURS LE MODÈLE DU FOUR ET LE NUMÉRO DE SÉRIE
ACHTUNG: UM ERSATZTEILE ZU BESTELLEN, BITTE IMMER OFEN-MODELL UND SERIENNUMMER GEBEN.

ed. 0614

POS.	COD.	Pz.	DESCRIZIONE	DESCRIPTION	DESCRIPTION	BESCHREIBUNG	DESCRIPCIÓN
38	R70060040	4	MANICOTTO SILICONE D.50X50X3	SILICONE SLEEVE	SILICONE SLEEVE	SILIKONHÜLLE	FUNDA DE SILICONA
39	R75300070	1	MASCHERINA VENTILATORE D.350 N/S101 2014	FAN GUARD GRID D.350	GRILLE VENTILATEUR D.350	VENTILATORSCHUTZGITTER D.350	REJILLA VENTILADOR D.350
40	R65265100	1	MICRO PORTA MAGNETICO COMPLETO	DOOR SWITCH	MICRO PORTE	TUERSCHALTER	MICRO PUERTA
41	R65220290	1	MORSETTIERA LX1(TIPO 3) NEW C/TERRA PASS.	TERMINAL BOARD	BORNIER	KLEMMLEISTE	REGLETERA
42	R65040530	1	MOTORE KW 055 F3 4P 3039 200-440V I	MOTOR	MOTEUR	MOTOR	MOTOR
43	R69010260	1	NASELLO 1 STEP 6303-020022	DOOR LATCH 1 STEP	GACHE DE PORTE POUR OUVERTURE SIMPLE	SCHLIESSNASE 1 STUFE	NARIZ 1 CIERRE
44	R69010270	1	NASELLO 2 STEP 6303-020030	DOOR LATCH 2 STEP	GACHE DE PORTE POUR OUVERTURE	SCHLIESSNASE 2 STUFE	NARIZ 2 CIERRE
45	R58002670	1	PERNO INF. CERNIERA REG.C/FERMI SR.2005	LOWER HINGE PIN	CHEVILLE CHARNIERE INFERIEURE	UNTERES SIE SCHARNIERSTIFT	PERNO INFERIOR BISAGRA
46	R58000370	1	PERNO SUP. CERNIERA REG. N/S 2014	UPPER HINGE PIN	CHEVILLE CHARNIERE SUPERIEURE	OBERES SIE SCHARNIERSTIFT	PERNO SUPERIOR BISAGRA
47	R58003140	2	PERNO AGGANCIAMENTO DEFLETTORE	FAN GUARD PANEL PIN	PIVOT DEFLECTEUR	BOLZEN FÜR LUFTLEITBLECH	PERNO CIERRE DEFLECTOR
48	R58003110	2	PERNO FISSAGGIO DEFLETTORE	FAN GUARD PANEL PIN	PIVOT DEFLECTEUR	BOLZEN FÜR LUFTLEITBLECH	PERNO CIERRE DEFLECTOR
49	R65210020	3	PORTAFUSIBILE BARRA DIN 5x20	FUSE CARRIER	PORTE-FUSIBLE	SICHERUNGSHALTER	PORTAFUSIBILE
50	R65240030	1	PRESSACAVO PG 107 Z/29 (RACCORDO)	FAIRLEAD	PRESSE CABLE	ZUGENTLASTUNG	PRENSACABLES
51	R65090220	1	PROGRAMMAT. 1 CAMME V220/50HZ 1 CIRC.	DAMPER SYSTEM	SORTIE EVAPORATION MOUFLE	DAMPFABLASS-STELLMOTOR	MOTOR RESPIRADERO COMPLETO
52	R62090478	4	RACC. INTERMEDIO A GOMITO D.10 PM0310E	ELBOW PIPE FITTING	COURBE AVEC QUEUE	STUCK MIT SCHAFT	RACOR CON CODO
53	R62090633	1	RACCORDO OTTONE CURVO 10/10 C/OGIVA	ELBOW PIPE FITTING BRASS D.10	RACCORDEMENT A COUDE LAITON D 10	WINKELSTUTZEN AUS MESSING D,10	RACOR LATON DE GOMA D.10
54	R62090528	1	RACC.A GOMITO C/CODOLO 10x10 PM221010E	ELBOW PIPE FITTING (WITH TANG) 10x10	COURBE AVEC QUEUE 10x10	WINKELVERBINDUNGSSTUCK 10x10 MIT SCHAFT	RACOR DE GOMA CON CODO 10x10
55	R65110500	1	REGOL. PORTATA MARRONE ALPHAT. 8L/h	8 LT/H WATER FLOW REDUCER	REGULATUER DE DEBIT 8 LT.	DURCHFLOSSMONDERER 8L/STD.	REGULADOR DE CAUDAL 8 LT.
56	R65110530	1	REGOL PORTATA VIOLA 2LT/1'	2 LT/1' WATER FLOW REDUCER	REGULATUER DE DEBIT 2 LT/1'	DURCHFLOSSMONDERER 2 LT/1'	REGULADOR DE CAUDAL 2 LT/1'
57	R65011310	1	RESISTENZA CIRC. 15000W 230V CAMME-VE/110	CHAMBER HEATING ELEMENT 15000W 230V	RESISTANCE MOUFLE 15000W 230V	GARRAUM HEIZKOERPER 15000W 230V	RESISTENCIA CAMARA 15000W 230V
58	R65020350	2	RESISTENZA 7500W 230V BOILER ME/105-106	STEAM GENERATOR HEATING ELEMENT 7500W	RESISTANCE CHAUDIERE 7500W	BOILER HEIZKOERPER 7500W	RESISTENCIA BOILER 7500W
59	R58004010	1	ROND.FISS.VENTOLA D 30/12.5	FAN WASHER Ø 30/12.5	RONDELLE TURBINE Ø 30/12.5	UNTERLEGSSCHEIBE Ø 30/12.5	ARANDELA FIJACION TURBINA Ø 30/12.5
60	R69180120	1	SCATOLA COND.SCARICO G/MV T06-T10-T21	QUENCHING-DRAIN COLLECTOR	BOITE DE CONDENSATION DECHARGE	KONDENSATION-ABFLUSS SCHACHTEL	CAJON CONDENSACION-DESAGÜE
61	R65320010	2	SONDA LIVELLO TL 10/B	LEVEL PROBE	SONDE DE NIVEAU	WASSERSSTANDSFUEHLER	SONDA NIVEL
62	R65320220	3	SONDA "K" 6X80 1,5 ML. TESTA RASTREM. 20mm	PROBE "K" 6X80 1,5ML.	SONDE "K" 6X80 1,5ML.	FUEHLER "K" 6X80 1,5ML.	SONDA "K" 6X80 1,5ML.
63	R65321370	1	TAPPO ASSENZA CONNETTORE S/C SA 2014	COVER	BOUCHON	ABDECKUNG	TAPON
64	R69150110	1	TAPPO FEMMINA G 1"1/4 PP+25% FV NERO	COVER	BOUCHON	ABDECKUNG	TAPON
65	R69150100	1	TAPPO FEMMINA G 2" PP+25%FV NERO	COVER	BOUCHON	ABDECKUNG	TAPON
66	R58006690	1	TAPPO SFIATO COMPLETO SERIE 2014	COVER	BOUCHON	ABDECKUNG	TAPON
67	R65140380	4	TELERUTTORE 3RT1016-1AP02	CONTACTOR	CONTACTEUR	SCHUETZ	CONTACTOR
68	R65140400	3	TELERUTTORE 3RT1025-1AL20 SIEMENS	CONTACTOR	CONTACTEUR	SCHUETZ	CONTACTOR
69	R65070081	1	TERMOSTATO SICUR. BOILER M/1065532522852	THERMOSTAT	THERMOSTAT	THERMOSTAT	TERMOSTATO
70	R65070350	1	TERMOSTATO SICUR. 360°C -25K 55.32572.8	THERMOSTAT	THERMOSTAT	THERMOSTAT	TERMOSTATO
71	R65160620	1	TERMICO 3RU1116-1BB0 1,4-2,0A	THERMIC PROTECTION	PROTECTION THERMIQUE	MOTORSCHUTZSCHALTER	TERMICO
72	R65180420	1	TRASF.RE 20VA 0-220-240/12V MOD.163.16	TRANSFORMER 20VA	TRANSFORMATEUR 20VA	TRANSFORMATOR 20VA	TRANSFORMADOR 20VA
73	R65180430	1	TRASF.RE 40VA 0-220-240/12V MOD.163.82	TRANSFORMER	TRANSFORMATEUR	TRANSFORMATOR	TRANSFORMADOR
74	R80120030	0,1m	TUBO SILICONE ROSSO SR60 18/13.	PIPE	TUBE	LEITUNG	TUBO
75	R80150000	3	TUBO PE 10mm x 7 AZZURRO PM950612E	BLUE PIPE	TUBE	LEITUNG	TUBO AZUL
76	R65110570	1	VALVOLA A SFERA MOTORIZZATA 2VIE 230V 1"	STEAM GENERATOR DRAIN MOTORIZED VALVE	DRAINAGE CHAUDIERE	BOILERABLAUFVENTIL	VALVOLA DE BOLA MOTORIZADA
77	R65060010	1	VENTILATORE COMPATTO D.80 TP:W2S 076	COMPONENTS VENTILATION MOTOR D.80	MOTEUR DE REFROIDISSEMENT D.80	ABKÜHLUNGS MOTOR D.80	MOTOR DE ENFRIAMIENTO D.80
78	R65060050	2	VENTILATORE COMPATTO D.120 4715MS 23T	COMPONENTS VENTILATION MOTOR D.120	MOTEUR DE REFROIDISSEMENT D.120	ABKÜHLUNGS MOTOR D.120	MOTOR DE ENFRIAMIENTO D.120
79	R75400440	1	VENTOLA D.350X114/12 50HZ P.D.	FAN	TURBINE	LUEFTERRAD	PALA VENTILADOR
80	R58004000	1	VITE FISS.VENTOLA M/12X1.5 SX	FAN SCREW M12x1.5 SX	VIS DE BLOCAGE TURBINE M12x1.5 SX	VENTILATORSCHRAUBE M12x1.5 SX	TORNILLO FIJACION TURBINA M12x1.5 SX
81	R61020562	1	VITE TE A2 M 6X55 UNI 5737	MOTOR SCREW TE A2 M6x55	VIS DE BLOCAGE MOTEUR TE A2 M6x55	MOTORSCHRAUBE TE A2 M6x55	TORNILLO MOTOR TE A2 M6x55
82	R61260152	2	VITE TCB+A2 M 4X10	SCREW TCB+A2 M 4X10	VIS TCB+A2 M 4X10	SCHRAUBE TCB+A2 M 4X10	TORNILLO TCB+A2 M 4X10
83	R62090918	1	RACC. INT. A GOMITO D.10 SPEEDFIT PEM0310W DALLA SETTIMANA 28/2014 (7.7.2014)	WHITE ELBOW PIPE FITTING D.10 FROM WEEK 28/2014 (07.07.2014)	COURBE AVEC QUEUE DU SEMAINE 28/2014 (07.07.2014)	STUCK MIT SCHAFT VOM WOCHE 28/2014 (07.07.2014)	RACOR CON CODO DEL SEMANA 28/2014 (07.07.2014)
84	R62090908	1	RACC.INT. DIRITTO D.10 SPEEDFIT PEM0410W DALLA SETTIMANA 28/2014 (07.07.2014)	WHITE PIPE FITTING FROM WEEK 28/2014 (07.07.2014)	COURBE DU SEMAINE 28/2014 (07.07.2014)	STUCK VON WOCHE 28/2014 (07.07.2014)	RACOR DEL SEMANA 28/2014 (07.07.2014)
85	R80150060	1,9m	TUBO PEX-B 10MM DALLA SETTIMANA 28/2014 (07.07.2014)	WHITE PIPE FROM WEEK 28/2014 (07.07.2014)	TUBE DU SEMAINE 28/2014 (07.07.2014)	LEITUNG VON WOCHE 28/2014 (07.07.2014)	TUBO DEL SEMANA 28/2014 (07.07.2014)
86	R58006160	2	UGELLO COND.D.0,8 CODOLO CIL.10	NOZZLE	BEC	DÜSE	BOQUILLA

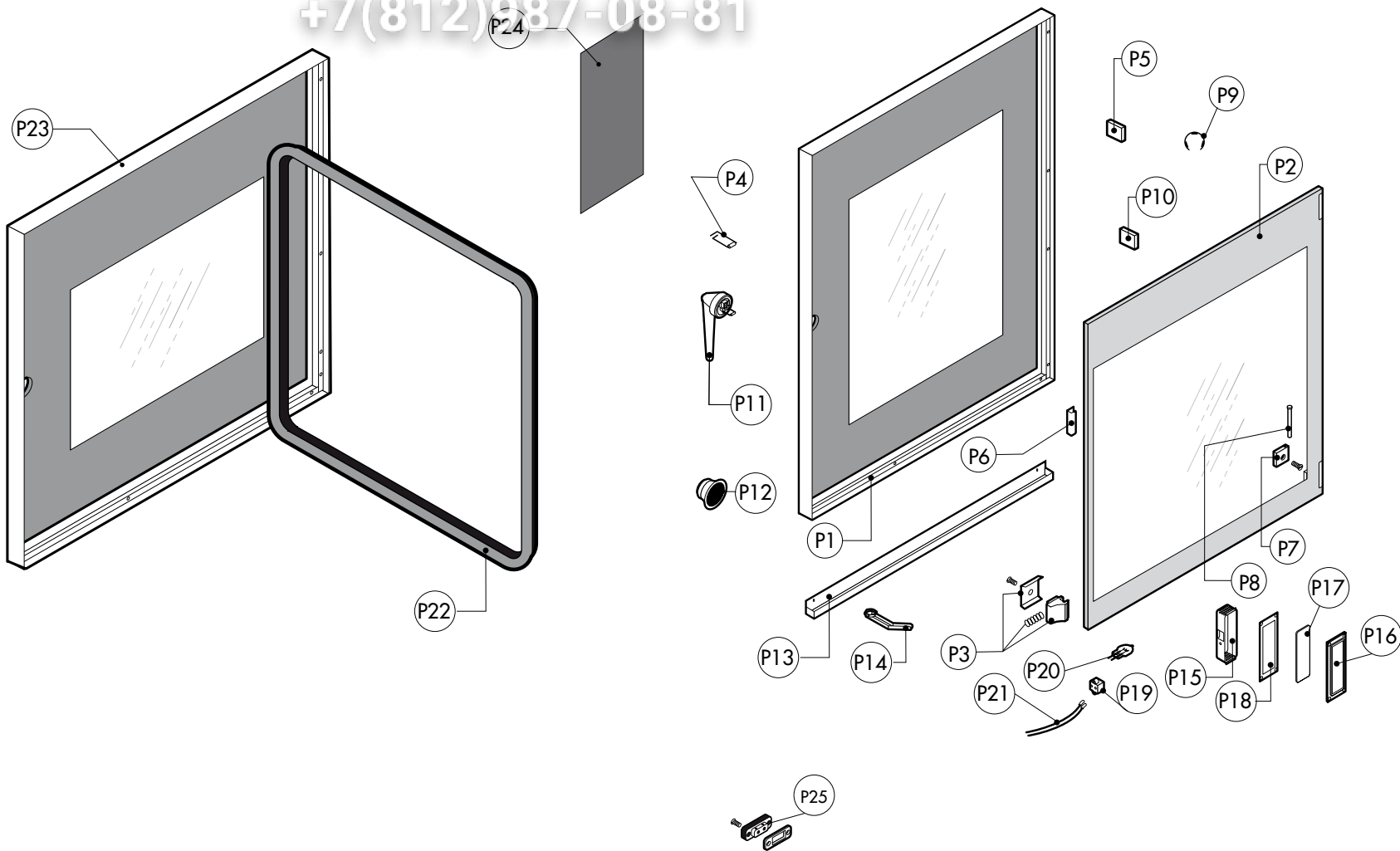
TAV. A

SAEB101

Зип Общепит

vsezip.ru

+7(812)987-08-81

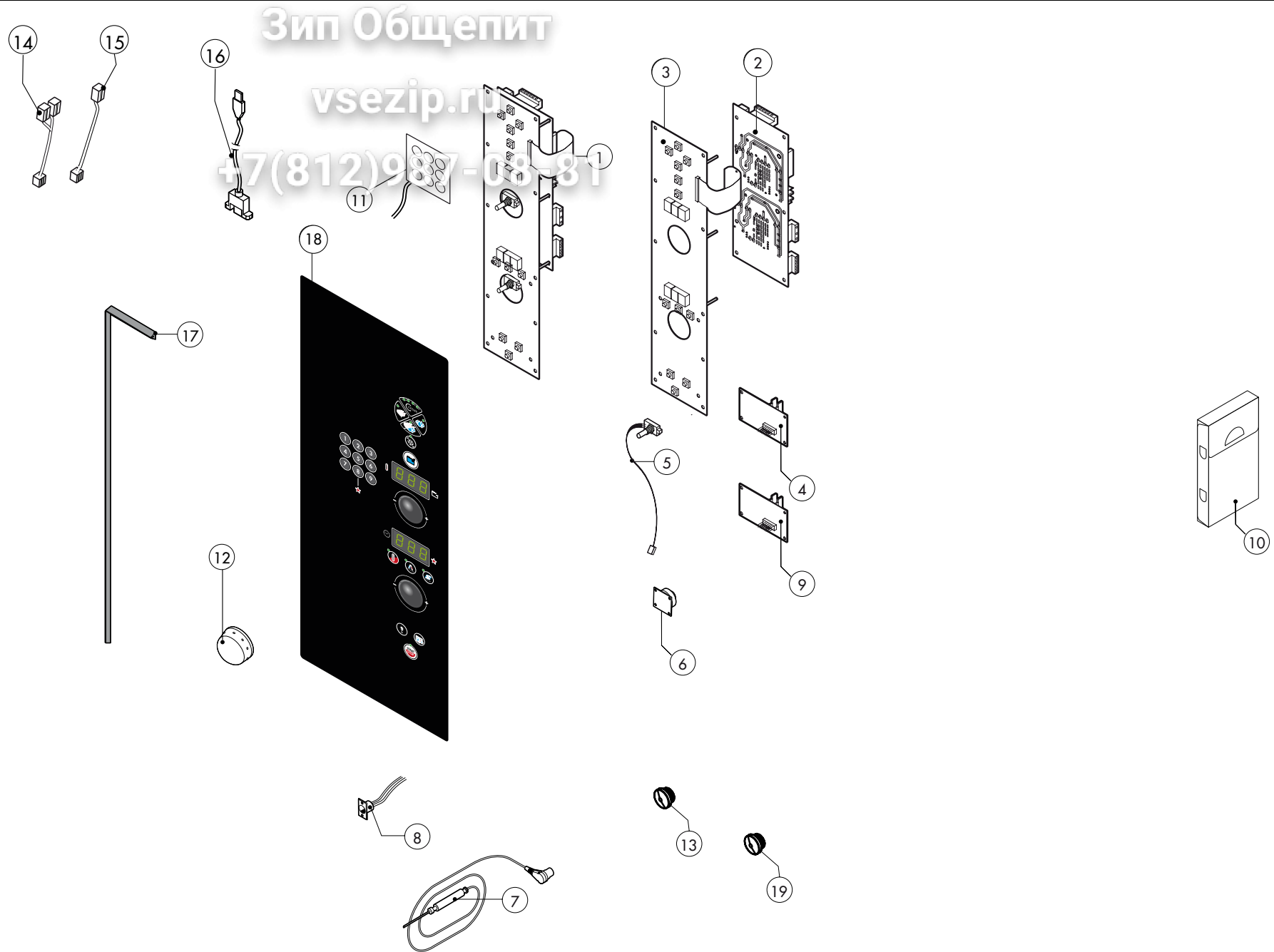


ATTENZIONE: PER ORDINARE I RICAMBI, SPECIFICARE SEMPRE IL MODELLO DI FORNO ED IL NUMERO DI MATRICOLA
ATTENTION: WHEN ORDERING SPARE PARTS, PLEASE ALWAYS SPECIFY THE OVEN MODEL AND THE SERIAL NUMBER

ATTENTION: POUR COMMANDER DES PIÈCES, MERCI DE SPECIFIER TOUJOURS LE MODÈLE DU FOUR ET LE NUMÉRO DE SÉRIE
ACHTUNG: UM ERSATZTEILE ZU BESTELLEN, BITTE IMMER OFEN-MODELL UND SERIENNUMMER GEBEN.

ed. 0614

POS.	COD.	Pz.	DESCRIZIONE	DESCRIPTION	DESCRIPTION	BESCHREIBUNG	DESCRIPCIÓN
P1	R14200660A	1	PORTA ESTERNA SA_101	EXTERNAL DOOR	PORTÉ D'EXTERNAL	AUSSENTÜR	PUERTA EXTERNA
P2	R71202190	1	VETRO POST. PORTA N/S101 2014 494x810x6	DOOR GLASS	VITRE PORTE	HARTGLASS	VIDRIO
P3	R58001780	2	FERMO VETRO PORTA P2000	INNER GLASS CATCH KIT	ENSEMBLE ARRET VERRE INTERIEUR	VERSCHLUSSSATZ F. INNENSCHIEBE	KIT FIJACION VIDRIO INTERNO
P4	R61620132	1	MOLLA AGGANCIAMENTO NASELLO	DOOR LOCK SPRING	RESSORT DE FERMETURE PORTE	TÜR SCHLUSSFEDER	MUELLE DE ENGANCHE A TRINQUET
P5	R11420660	1	PIASTRINA MONTANTE PORTA K & T 2011	PLATE	PLAQUETTE	PLATTE	PLACA
P6	R11423460	2	PROTEZIONE VETRO PORTA K E T 2011	GLASS PROTECTION	PROTECTION DE VERRE	GLASSCHUTZ	PROTECCION VIDRIO
P7	R58001760	2	CERNIERA FISSA VETRO SR2000	INNER GLASS SOLID HINGE	CHARNIERE V.VERRE INTERIEUR	SCHARNIER F. INNENSCHIEBE	BISAGRA FIJA VIDRIO INTERNO
P8	R58001770	2	PERNO CERNIERA VETRO SR2000	INNER GLASS HINGE PIN	PIVOT CHARNIERE VERRE INTERIEUR	SCHARNIERBOLZEN F. INNENSCHIEBE	PERNO BISAGRA VIDRIO INTERNO
P9	R61600031	2	ANELLO ELASTICO RADIALE D.3,2 UNI 7434	ELASTIC RING	ANNEAU ÉLASTIQUE	ELASTISCHER RING	ANILLO ELASTICO
P10	R70050180	6	DISTANZIALE VETRO 15x8 SIL.55SH M4x12 A2	THICKNESS	EPAISSEUR	DICKE	ESPEJOR
P11	R69010190	1	GRUPPO CHIU. BASCUL. ANTRAC. 6303 N/S 2014	DOOR CATCH KIT	ENSAMBLE FERMETURE PORTE	VERSCHLUSSSATZ	MANIJA DE LA PUERTA
P12	R69010630	1	COP. INT. MECC. CHIUS. GRUPPO 6303.	DOOR HANDLE	POIGNEE DE PORTE	GRIFFKORPUS	CUERPO MANETA
P13	R69180220	1	BACINELLA PORTA N/S071-101 2014	DRIP TRAY	PLATEAU D'ÉGOUTTEMENT	WASSERTROPFTASSE	BANDEJA DEL GOTEO
P14	R69180010	1	SCARICO BACIN. PORTA DADO ALTO 2009	DOOR DRIP TRAY DRAINAGE	VIDANGE GOUTTIERE SOUS PORTE	ABLAUF TÜRTROPFWANNE	DESAGÜE BANDEJA PUERTA
P15	R11401440	1	CALOTTA LAMPADA SR.2000	LAMP COVER	CALOTTE DE PROJECTEUR	LAMPENKALOTTE	CUBIERTA LAMPARA
P16	R11401450	1	FLANG.STAMP.VETRO LAMP. SR2000.	GLASS HOLDER LAMP FLANGE	BRIDE ARRET-VERRE ECLAIRAGE	FLANSH F.LAMPENVERGLASUNG	TAPA CRISTAL LAMPARA
P17	R71500150	1	VETRO LAMPADA P2000	GLASS LAMP	VERRE PROTECTION LAMPE	LAMPLEGLAS	VIDRIO LAMPARA
P18	R70044200	1	GUARNIZIONE VETRO LAMPADA P2000	LAMP GASKET	JOINT VERRE ECLAIRAGE	LAMPENDICHTUNG	VIDRIO CUBRELAMPARA
P19	R65270450	1	PORTAL. STUCCHI ART.216	LIGHT SOCKET	DOUILLE	LICHTKONTSCHALTER	PORTALAMPARA PARA LAMPARA HALOGENA
P20	R65270020	1	LAMPADA ALOGENA 20W 12V G4 49040	LIGHT 20W 12V G4	LAMPE 20W 12V G4	LAMPENHALTERUNG	LAMPARA HALOGENA 20W 12V G4
P21	R66110310	1	CABLAGGIO LUCI PORTA M-V/061	DOOR LAMPS CABLE SET	CABLES ECLAIRAGE PORTE	VERDRAHTUNG TURBELEUCHTUNG	CABLEADO LUCES PUERTA
P22	R70048010	1	TELAIO GUARNIZIONE PORTA T10 2011	FRONT GASKET	JOINT FACADE	DICHTUNG DER FRONTSEITE	JUNTA FRONTAL
P23	R14163130	1	PORTA COMPLETA SA_101	DOOR ASSEMBLY	PORTE COMPLETE	TUER KOMPLETT	PUERTA COMPLETA
P24	R67016820	1	RIVESTIMENTO PORTA C/MAN. S101-102 2014	DOOR TRIM WITH HANDLE	GARNITURE DE PORTE AVEC TRAITER	BEZUG TÜR MIT GRIFF	REVESTIMIENTO PUERTA CON MANGO
P25	R65260752	1	CONTATTO PER LUCI SR.2014 + FORNI A PAVIM.	LAMPS CONTACT BLOCK	CONTACT ECLAIRAGE	LICHTKONTSCHALTER	CONTACTO PARA LUZ



ATTENZIONE: PER ORDINARE I RICAMBI, SPECIFICARE SEMPRE IL MODELLO DI FORNO ED IL NUMERO DI MATRICOLA
ATTENTION: WHEN ORDERING SPARE PARTS, PLEASE ALWAYS SPECIFY THE OVEN MODEL AND THE SERIAL NUMBER

ATTENTION: POUR COMMANDER DES PIÈCES, MERCI DE SPECIFIER TOUJOURS LE MODÈLE DU FOUR ET LE NUMÉRO DE SÉRIE
ACHTUNG: UM ERSATZTEILE ZU BESTELLEN, BITTE IMMER OFEN-MODELL UND SERIENNUMMER GEBEN.

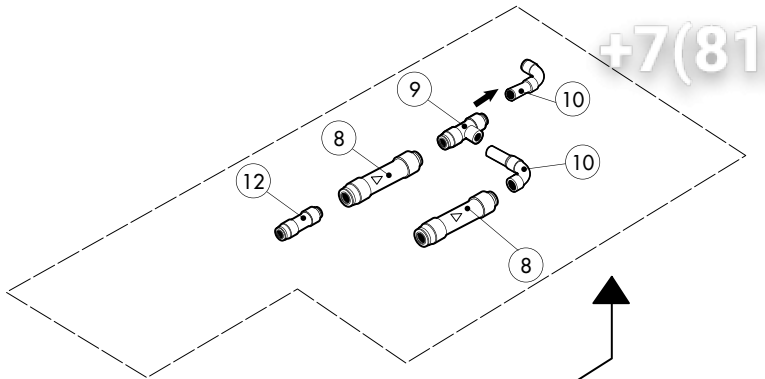
ed. 0614

POS.	COD.	Pz.	DESCRIZIONE	DESCRIPTION	DESCRIPTION	BESCHREIBUNG	DESCRIPCIÓN
1	R65302110	1	SCHEDA "S" 2009 COMPLETA+ESPANSIONE	CONTROL PANEL PC BOARD "S" MOD + EXPANSION	PLATINE ÉLECTRONIQUE COMPLÈTE "S" + EXPANSION	STEUERPLATINE KOMPLETT "S" + ESPANSION	PLACA COMPLETA "S" + EXPANSION
2	R65302250	1	SCHEDA BASE "S" 2009	MAIN PC BOARD "S" 2009	FICHE PANNEAU PRINCIPAL "S" 2009	HAUPTPLATINE "S" 2009	PLACA BASE "S" 2009
3	R65302240	1	SCHEDA TASTIERA "S" 2009	RELAY PC BOARD "S" 2009	FICHE PANNEAU COMMANDES "S" 2009	TASTAURPLATINE "S" 2009	PLACA PULSADORES "S" 2009
4	R65302260	1	SCHEDA ESPANSIONE "S" 2009	CONTROL PC BOARD "S" 2009	FICHE ELECTRON. CONTROLE "S" 2009	ESPANSIONSPLATINE "S" 2009	PLACA EXPANSION "S" 2009
5	R65301940	2	ENCODER LCD "X" SR.2006	FRONT PC BOARD ENCODER	ENCODER PLATINE	ENCODER F. PLATINE	ENCODER PLACA ELECTRONICA
6	R65301960	1	SCHEDA BUZZER TOP LCD "X" Sr.2006	PC BOARD BUZZER	SONNE DE PLATINE	PLATINENSUMMER	ZUMBADOR PLACA ELECTRONICA
7	R65321102	1	SONDA AL CUORE K 4 PUNTI 6 PIN.IMP.2012	CORE TEMPERATURE PROBE	SONDE A COEUR	KERNTEMPERATURFUEHLER	SONDA AL CORAZON
8	R65321360	1	CONNETTORE FEMM. S/CUORE 6 PIN	CORE TEMPERATURE PROBE FEMALE CONNECTOR	CONNECTEUR FEMELLE POUR SONDE A COUER	STECKDOSE F. KERNTEMPERATURFUEHLER	CONECTOR HEMBRA PARA SONDA AL CORAZON
9	R65302550	1	ESPANSIONE CASSETTI PER SCHEDE "S-X"	DRAWERS CONTROL BOARD	FICHE ELECTRON. CONTROLE	ESPANSIONSPLATINE	PLACA EXPANSION
10	R86020400	1	VALIGETTA X SONDA AL CUORE TRASPARENTE	CORE TEMPERATURE PROBE BOX	PETITE VALISE SONDE A COEUR	TASCHE F. KERNTEMPERATURFUEHLER	ESTUCHE DE SONDA AL CORAZON
11	R65302470	1	SCHEDA ACCESSO RAPIDO PROGRAMMI 9 TASTI	BOARD WITH BUTTON	PANNEAU AVEC BOUTON	PLATINE MIT TASTE	PLACA CON BOTÓN
12	R69030260	2	MANOPOLA ENCODER D.42	KNOB KIT	POIGNEE COMMANDE	DREHKNOFF	PULSADOR MANETA
13	R65321310	1	ASS.TAPPO PER PRESA USB N/S 2014	COVER	BOUCHON	ABDECKUNG	TAPON
14	R65301730	1	CAVO COLLEGAM. SERIALE DOPPIO L=420+420	CONNECTION	CABLE	KABLE	CABLE
15	R65301720	1	CAVO COLLEGAMENTO SERIALE L=420	CONNECTION	CABLE	KABLE	CABLE
16	R65302600	1	CAVO COLL. SCHEDA/PRESA USB 90° L=850	PC BOARD CONNECTION USB	CABLE USB POUR LA PLATINE	REIHENKABLE USB FÜR PLATINEVERBINDUNG	CABLE USB CONEXIÓN FICHA
17	R80100100	1,4m	PROFILO GUARN.NERO 2CRISTALLI DIS.031005	GASKET	JOINT	DICHTUNG	JUNTA
18	R67015740	1	TASTIERA LAINOX S101/102 2014	PLATE	PLAQUE	BEDIENUNGSFOLIE	TARJETA
19	R65321330	1	ASS.TAPPO PER PRESA SONDA A/C N/S 2014	COVER	BOUCHON	ABDECKUNG	TAPON

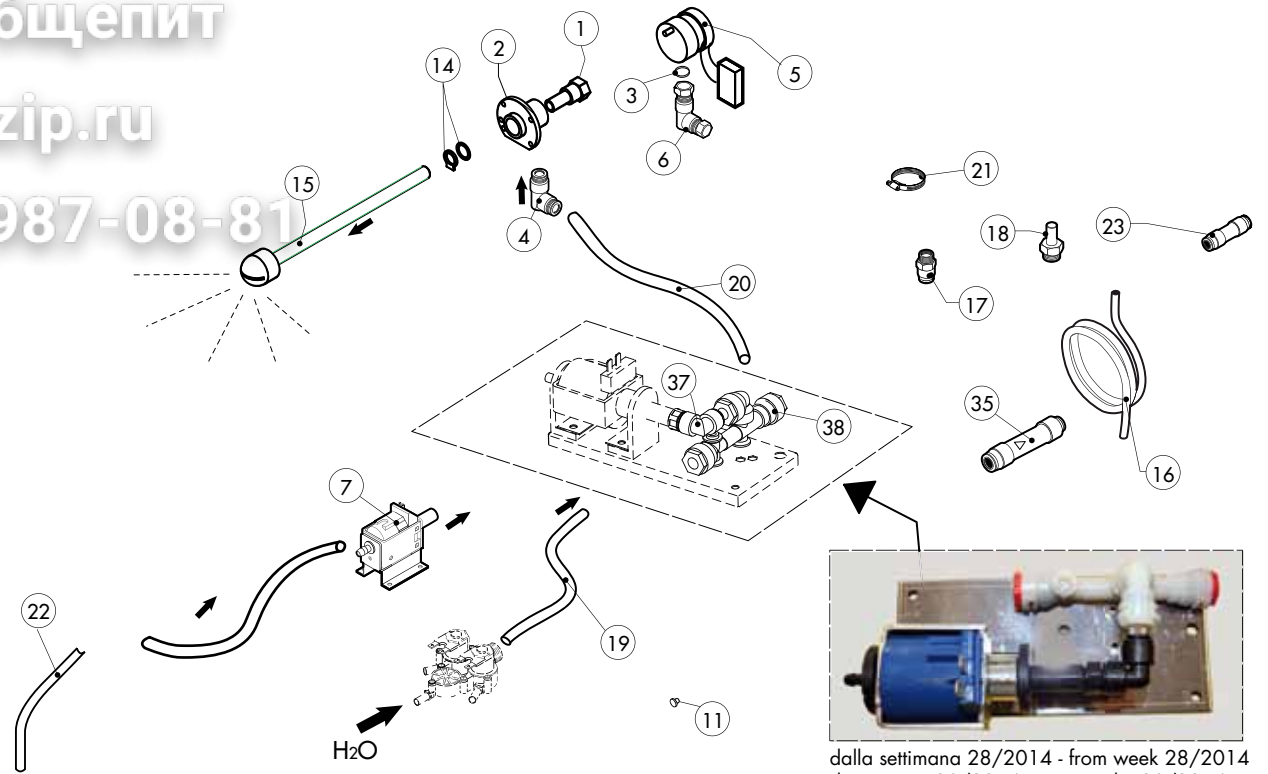
Зип Общепит

vsezip.ru

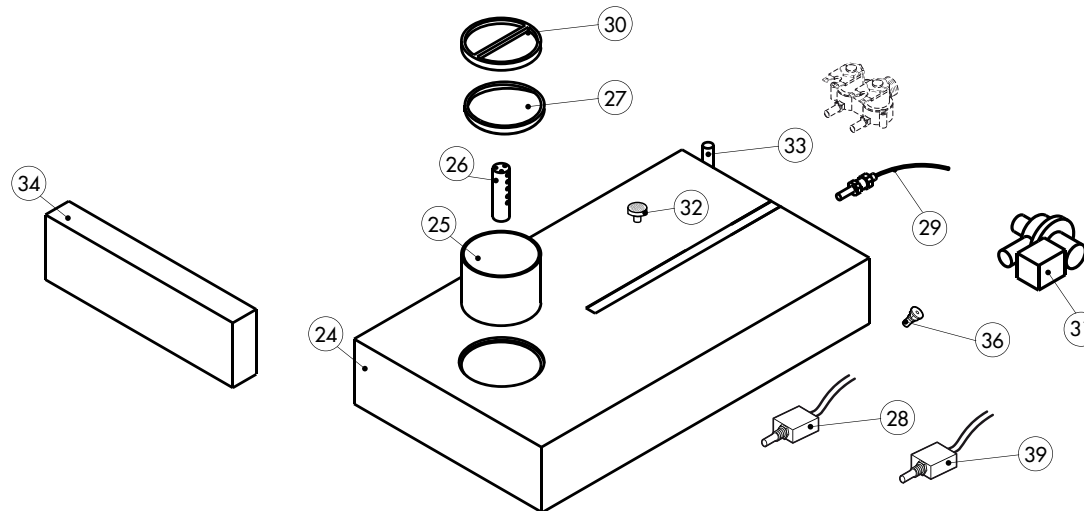
+7(812)987-08-81



fino alla settimana 27/2014 - until week 27/2014
élimine du semaine 27/2014
bis woche 27/2014 - eliminato del semana 27/2014



dalla settimana 28/2014 - from week 28/2014
du semaine 28/2014 - vom woche 28/2014
del semana 28/2014



ATTENZIONE: PER ORDINARE I RICAMBI, SPECIFICARE SEMPRE IL MODELLO DI FORNO ED IL NUMERO DI MATRICOLA
ATTENTION: WHEN ORDERING SPARE PARTS, PLEASE ALWAYS SPECIFY THE OVEN MODEL AND THE SERIAL NUMBER

ATTENTION: POUR COMMANDER DES PIÉCES, MERCI DE SPECIFIER TOUJOURS LE MODELE DU FOUR ET LE NUMERO DE SERIE
ACHTUNG: UM ERSATZTEILE ZU BESTELLEN, BITTE IMMER OFEN-MODELL UND SERIENNUMMER GEBEN.

ed. 0614

POS.	COD.	Pz.	DESCRIZIONE	DESCRIPTION	DESCRIPTION	BESCHREIBUNG	DESCRIPCIÓN
1	R58007000	1	PERNO ROTANTE LAVAGGIO MOB	ROTATING PIVOT	PIVOT TOURNANT	UMLAUFENDE STÜTZE	GOZNE ROTATORIO
2	R58007020	1	FLANGIA LAVAGGIO MOB	WASHING SYSTEM FLANGE	BRIDE BRAS DE LAVAGE	FLANSCH WASCHARMBEFESTIGUNG	PLATINA LAVADO
3	R70010080	1	GUARNIZIONE OR 14x2 Viton DIN 981	GASKETS	JOINT	RINGDICHTUNG	JUNTA
4	R62090663	1	RACCORDO OTTONE NICH.A L C/OGIVA 10X1/4"	ELBOW PIPE FITTING BRASS D.10x1/4"	RACCORDEMENT A COUDE LAITON D 10x1/4"	ELBOW PIPE FITTING BRASS D.10x1/4"	RACOR LATON DE GOMA D.10x1/4"
5	R65090260	1	MOTORID.LAV. METEOR (58U59DB4A1-00)	WASHING GEARED MOTORS	MOTO-REDUCTEURS DE LAVAGE	GETRIEBEMOTOREN	MOTORREDUCTORES LAVADO
6	R62090633	1	RACCORDO OTTONE CURVO 10/10 C/OGIVA	ELBOW PIPE FITTING BRASS D.10	RACCORDEMENT A COUDE LAITON D 10	WINKELSTUTZEN AUS MESSING D.10	RACOR LATON DE GOMA D.10
7	R65110600	1	POMPA ELETTROM.A PIS.OSC.ET508LAB 2273	POMPE ÉLECTRIQUE ANTIRITORNO	DÉTERGENT PUMP	REINIGERPUMPE	BOMBA DETERGENTE
8	R65110680	2	VALVOLA ANTIRITORNO J.G. 10SCV Eliminato dalla settimana 27/2014 (4/7/2014)	ANT.-BACK FLOW UNTIL WEEK 27/2014 (4/7/2014)	ANTI-RETOUR ÉLIMINÉ DU SEMAINE 27/2014 (4/7/2014)	RUCKFLUSSVERHINDERER BIS WOCHEN 27/2014 (04/07/2017)	ANTIRETORNO ELIMINATO DEL SEMANA 27/2014 (04/07/2017)
9	R62090468	1	RACCORDO INTERMEDIO A "T" D.10 PM0210E Eliminato dalla settimana 27/2014 (4/7/2014)	T MIDLING PIPE FITTING D.10 UNTIL WEEK 27/2014 (4/7/2014)	RACCORD INTERMEDIAIRE A "T" D.10 ÉLIMINÉ DU SEMAINE 27/2014 (4/7/2014)	MITTELVERBINDUNGSSTÜCK D.10 "T"-FORMIG BIS WOCHEN 27/2014 (04/07/2017)	RACOR INTERMEDIO TIPO "T" D.10 ELIMINATO DEL SEMANA 27/2014 (04/07/2017)
10	R62090528	2	RACC.A GOMITO C/COD. 10x10 PM221010E Eliminato dalla settimana 27/2014 (4/7/2014)	ELBOW PIPE FITTING (WITH TANG) 10x10 UNTIL WEEK 27/2014 (4/7/2014)	COURBE AVEC QUEUE 10x10 ÉLIMINÉ DU SEMAINE 27/2014 (4/7/2014)	WINKELVERBINDUNGSSTÜCK 10x10 MIT SCHAFT BIS WOCHEN 27/2014 (04/07/2017)	RACOR DE GOMA CON CODO 10x10 ELIMINATO DEL SEMANA 27/2014 (04/07/2017)
11	R65110530	1	REGOL PORTATA VIOLA 2LT/1'	2 LT/1' WATER FLOW REDUCER	RÉGULATEUR DE DÉBIT 2 LT/1'	DURCHFLOSSMONDERER 2 LT/1'	REGULADOR DE CAUDAL 2 LT/1'
12	R62090618	1	RIDUZIONE INTERMEDIA 10-8 PM201008E Eliminato dalla settimana 27/2014 (4/7/2014)	REDUCTION PIPE FITTING UNTIL WEEK 27/2014 (4/7/2014)	RACCORD DROIT REDUCTION ÉLIMINÉ DU SEMAINE 27/2014 (4/7/2014)	GERADE ANSCHLUSS-VERKLEINERUNG BIS WOCHEN 27/2014 (04/07/2017)	RACOR DERECHO REDUCCION ELIMINATO DEL SEMANA 27/2014 (04/07/2017)
13	R62090678	1	RACC.A GOMITO C/CODOLO 8X8 PM220808E Eliminato dalla settimana 27/2014 (4/7/2014)	ELBOW PIPE FITTING (WITH TANG) 8X8 UNTIL WEEK 27/2014 (4/7/2014)	COURBE AVEC QUEUE 8x8 ÉLIMINÉ DU SEMAINE 27/2014 (4/7/2014)	WINKELVERBINDUNGSSTÜCK 8X8 MIT SCHAFT BIS WOCHEN 27/2014 (04/07/2017)	RACOR DE GOMA CON CODO 8x8 ELIMINATO DEL SEMANA 27/2014 (04/07/2017)
14	R70045120	1	KIT GUARNIZIONI X LAVAGGIO MOB	GASKETS KIT	ENSEMBLE JOINTS	DICHTUNGSSATZ	KIT JUNTAS
15	R58007040	1	TESTA LAVAGGIO MOB+ALBERO L=120 (071/T06)	WASHING SYSTEM INNER ASSEMBLY	ENSEMBLE INTERIEUR DU LAVAGE	INNEN WASCHARMBEFESTIGUNG	KIT INTERNO LAVADO
16	R70070080	1m	TUBO CARICO ACQUA D.23mm x13	PIPE	TUBE	LEITUNG	TUBO
17	R62090508	1	RACC.TERMIN.DIR.FIL.CON.10x1/4 PM011002E	10x1/4 STRAIGHT THREADED TERMINAL PIPE FITTING	RACCORDEMENT	ENDVERBINDUNGSSTÜCK 10x1/4" GESCHNITTEN	RACOR
18	R62090518	1	RACC.TERMIN.C/COD.F.CON.10X1/4 PM051002E	TERMINAL PIPE FITTING (WITH TANG)	RACCORD AVEC QUEUE	ENDVERBINDUNGSSTÜCK MIT SCHAFT	RACOR TERMINAL CON CODO
19	R80120060	1m	TUBO SILIC. TRASP.SR60/TR 7/12.	PIPE	TUBE	LEITUNG	TUBO
20	R80150000	1m	TUBO PE D.10mm x 7 AZZURRO	PE D.10 MM X7 WATER FLEXIBLE PIPE	TUBE FLEXIBLE EAU D. 10x7	WASSERFLEXROHRLEITUNG PE D.10mm x 7	TUBO FLEXIBLE AGUA PE D.10mm x 7
21	R61630121	4	FASCETTE ZINC.BIFILARE A MOLLA D.13,7mm	METAL CLAMPS	COLLIER DE SERRAGE	VERZINKTE SCHELLEN	ABRAZADERA
22	R80150020	2m	TUBO PU 8mm x 6 TRASPARENTE	PE D.8 MM X 6 DETERGENT FLEXIBLE PIPE	TUBE DETERGEANT D. 8x6	ROHRLEITUNG F. REINIGER PE D.8mm x 6	TUBO DETERGENTE PE D.8mm x 6
23	R62090878	2	RACC. INTERMEDIO DIRITTO D.8 PM0408E	PIPE FITTING	COURBE	STÜCK	RACOR
24	R14162580	1	CASSETTO DETERGENTE COMPLETO	DETERGENT DRAWER	TIROIR DÉTERGENT	SCHUBFACH REINIGUNGSMITTEL	CAJÓN DETERGENTE
25	R69040060	1	FILTRO CASSETTO MISCELAZIONE N/S 2014	SUPPRESSOR DRAWER	FILTRE TIROIR	FILTER FACH	FILTRO CAJON
26	R69040050	1	SPRUZZATORE CASSET.MISCELAZIONE N/S 2014	SPRAY	PULVÉRISER	SPRAY	ROCIAR
27	R69040020	1	GHIERA D.90 CASS.MISCEL.DET. N/S 2014	FERRULE D.90	VIROLE D.90	ZWINGE D.90	CONTERA D.90
28	R65260900	1	MICRO CASSETTO MISCELAZIONE N/S 2014 DALLA SETTIMANA 26/2014 (23/06/2014)	DRAWER MICRO FROM WEEK 26/2014 (23/06/2014)	MICRO TIROIR DU SEMAINE 26/2014 (23/06/2014)	FACH-MICRO VOM WOCHEN 26/2014 (23/06/2014)	MICRO CAJON DEL SEMANA 26/2014 (23/06/2014)
29	R65260910	2	CONTROLLO LIVELLO CASS. MISCEL. N/S 2014	LEVEL CONTROLLER DRAWER	CONTROLES DE NIVEAU TIROIR	KONTROLL FACH	CONTROLLOR DE NIVEL CAJON
30	R69040040	1	TAPPO D.90 CASS.MISCEL.DET. N/S 2014	COVER	BOUCHON	ABDECKUNG	TAPON
31	R65110300	1	POMPA SINCRONA 220V50HZ30W	POMPE	PUMP	PUMPE	POMPA
32	R62090718	1	FILTRINO D.5 SFIL00VT00	SUPPRESSOR	FILTRE	FILTER	FILTRO
33	R58006960	1	PERNO ø9 DIVIS. CASSETTI N/S 071-101 2014	PIN	PIVOT	BOLZEN	PERNO
34	R69040070	1	FINTO CASSETTO TELAIO N/S 2014	FAKE DRAWER FRAME	CADRE DE TIROIR FAUX	FAKE EINSCHUBRAHMEN	MARCO DE EL CAJÓN FALSO
35	R65110690	1	RACCORDO 3/4F+JG10 C/ANTIRIT. E2120202	PIPE FITTING	COURBE	STÜCK	RACOR
36	R58006951	1	PERNO MICRO L=26 C/SEDE MOLLA CAS. DET. N/S DALLA SETTIMANA 26/2014 (23/06/2014)	PIN FROM WEEK 26/2014 (23/06/2014)	PIVOT DU SEMAINE 26/2014 (23/06/2014)	BOLZEN VOM WOCHEN 26/2014 (23/06/2014)	PERNO DEL SEMANA 26/2014 (23/06/2014)
37	R62090498	1	RACC.INTERMEDIO A GOMITO D.8 PM0308E DALLA SETTIMANA 28/2014 (07/07/2014)	ELBOW PIPE FITTING FROM WEEK 28/2014 (07/07/2014)	COURBE AVEC QUEUE DU SEMAINE 28/2014 (07/07/2014)	WINKELVERBINDUNGSSTÜCK VOM WOCHEN 28/2014 (07/07/2014)	RACOR DE GOMA DEL SEMANA 28/2014 (07/07/2014)
38	R62090888	1	COLLET.RES.ACET. 3VIE- 2D.10+1D.8 + 2ANTIRIT DALLA SETTIMANA 28/2014 (07/07/2014)	MANIFOLD FROM WEEK 28/2014 (07/07/2014)	COLLECTEUR DU SEMAINE 28/2014 (07/07/2014)	KRÜMMER VOM WOCHEN 28/2014 (07/07/2014)	COLECTOR DEL SEMANA 28/2014 (07/07/2014)
39	R65260900K	1	KIT MICROINT. CASSETTO MISC. N/S 2014 eliminato dalla settimana 25/2014 (20/06/2014)	KIT DRAWER MICRO UNTIL WEEK 25/2014 (20/06/2014)	KIT MICRO TIROIR ÉLIMINE DU SEMAINE 25/2014 (20/06/2014)	KIT FACH-MICRO BIS WOCHEN 25/2014 (20/06/2014)	KIT MICRO CAJON ELIMINATO DEL SEMANA 25/2014 (20/06/2014)

TAV. D

SAEB101

Зип Общежит
vsezip
+7(812)987-08 81

