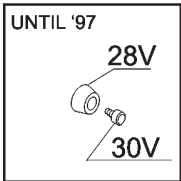
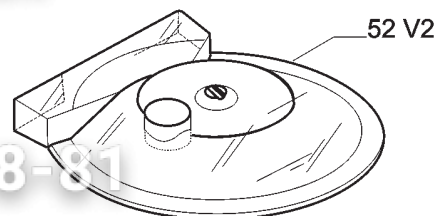
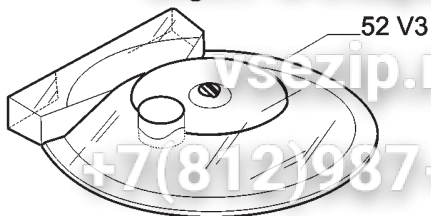
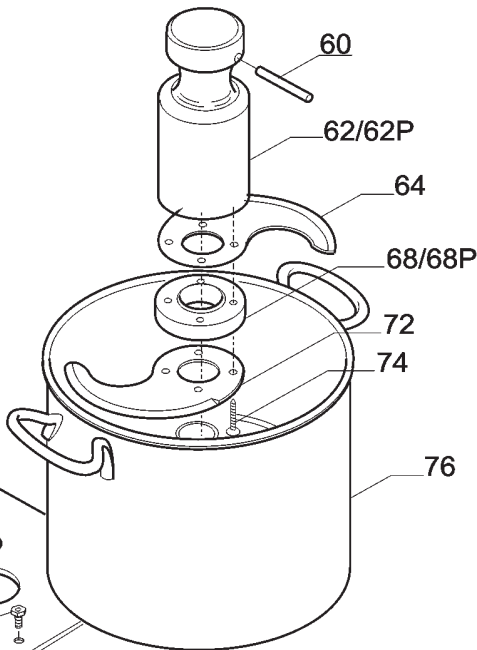
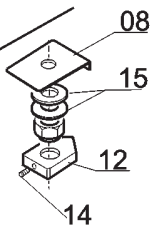
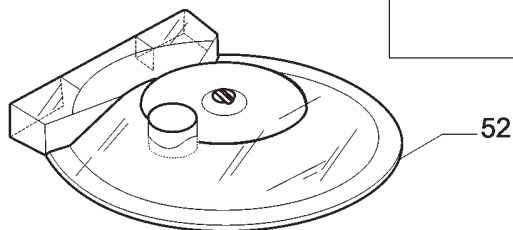
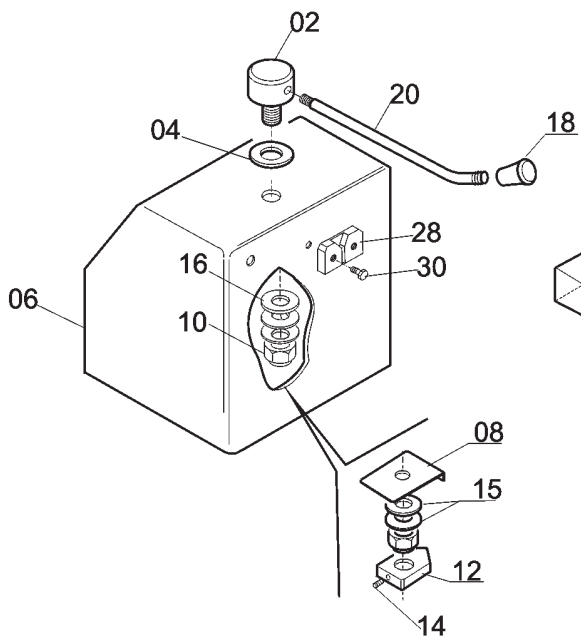
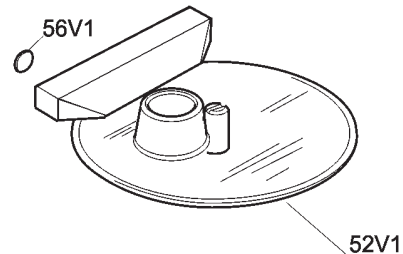


Fino al 08/2003 no guarnizione  
 Until 08/2003 no gasket

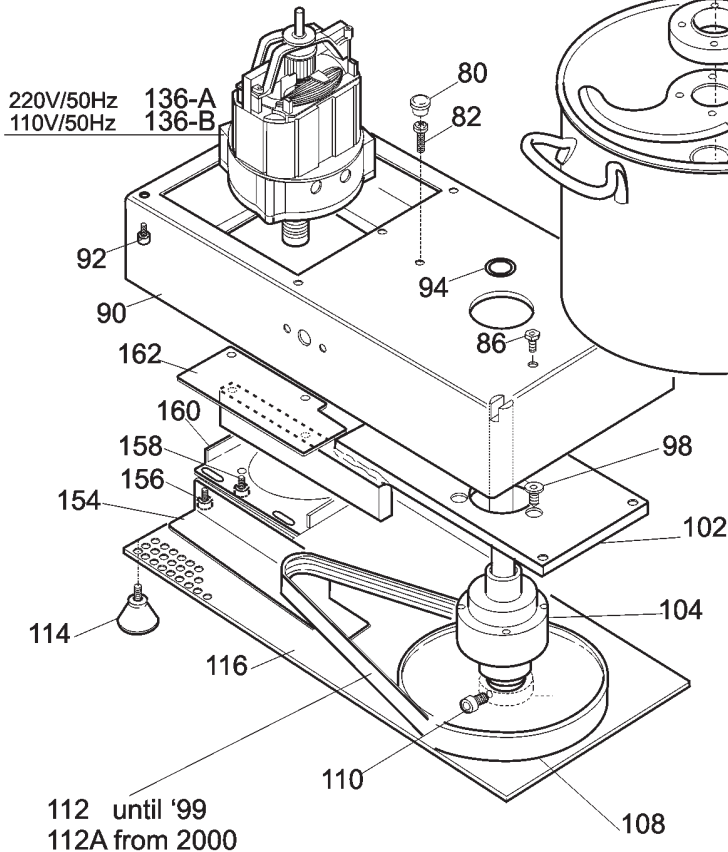
Fino al 1999 con Magnete  
 Until 1999 with Magnete



Fino al 1992  
 Until 1992

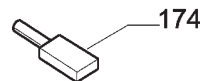


220V/50Hz 136-A  
 110V/50Hz 136-B




PROTEZIONE LAMA  
 BLADE GUARD

173 / 175



64V



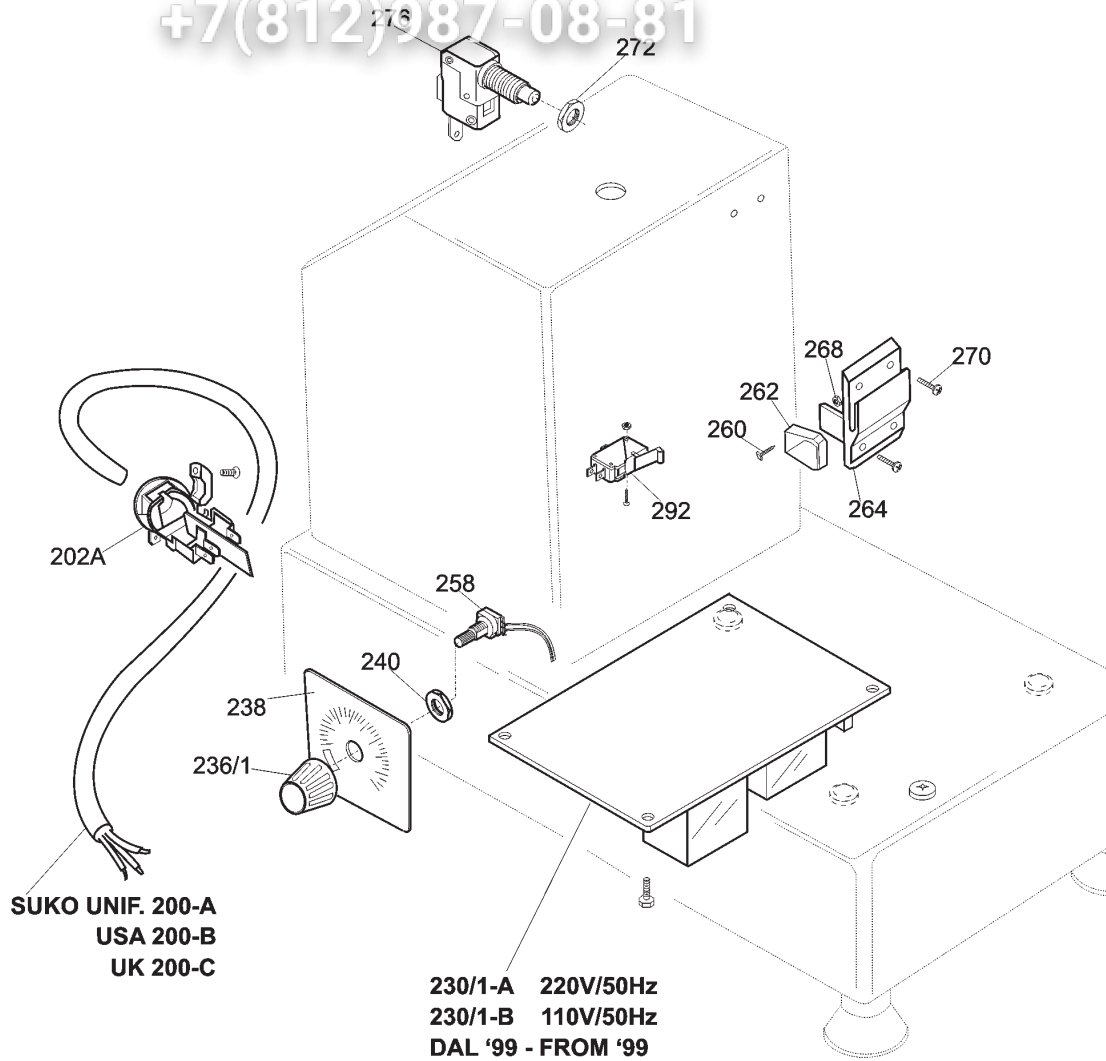
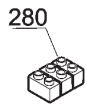
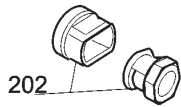
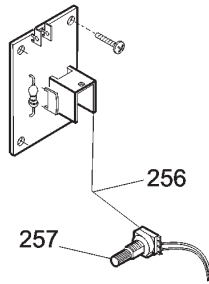
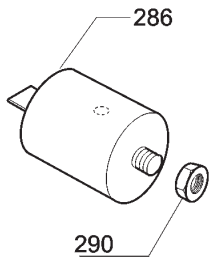
112 until '99  
 112A from 2000

Зип Общепит

vsezip.ru

+7(812)987-08-81

FINO AL '99 - UNTIL '99



# Зип Общепит

vsezip.ru

(812)987-08-81

## Electronic switch

Ref.	Product name	Code
800C	SWITCH COVER WHITE	19702022
800B	PUSH-BUTTON PANEL BLUE	19702021
800A	PUSH BUTTON PANEL_ROUND	19702004
802	GASKET FOR ROUND CONTROL PANEL	19563034

## Electronic switch

Ref.	Product name	Code
700	PUSH-BUTTON PANEL "SMALL"	19702000
702	GASKET FOR SMALL CONTROL PANEL	19563030

## TAV. 1/2

Ref.	Product name	Code
0	SHAFT W/REGULAR KNIVES FOR C6	MSC06AMON
2	Rod holder pin	MSC04N002
4	Clutch washer	MSC04N004
6	Frame head	MSC06N006
8	Clutch base	MSC04N008A
10	Clutch nut	MSC04N010
12	Microswitch cam	MSC04N012A
18	Arm knob	MSC04N018
20	Arm	MSC04N020
28	BOWL SLIDEWAY FOR C4-C6	MSC04N028
28V	BOWL SLIDEWAY UNTIL 1997 FOR C4-C6	MSC04N028V
52	LID W/GASKET FOR C4-C6 FROM '03	MSC04V052A
52V3	LID C4-C6 UNTIL 08/2003	MSC04N052
52V1	LID FOR C4-C6 UNTIL 1992	MSC04N052V1
52V2	LID FOR C4-C6 UNTIL 1999	MSC04N052V2
54	LID PLUG _ C4-C6	MSC04N054
56V1	Magnet until 1992	MSC04N056V1
60	Blade holder pin	MSC06N060
62	Blade holder	MSC06N062
62P	PORTA LAMA PER PESTO C6-C6VV	MSC06N062P
64V	UPPER KNIFE FOR PESTO C4-C6	MSC04N064V
64F	PUNCHED UPPER KNIFE C4-C6	MSC04N064F
64P	Upper knife for kneading	MSC04N064P
64Z	SERRATED UPPER KNIFE C4-C6	MSC04N064Z
64	UPPER KNIFE FOR C4-C6	MSC04N064
68P	DIST.COLTELLI PESTO C6-C6VV	MSC06N068P
68	Knife spacer	MSC06N068
72F	PUNCHED BOTTOM KNIFE C4-C6	MSC04N072F
72Z	SERRATED LOWER KNIFE C4-C6	MSC04N072Z
72	LOWER KNIFE FOR C4-C6	MSC04N072
76	BOWL FOR C6/C6 VV	MSC06N076
80A	Gum until 1999	MSC04N080A
90	Frame body	MSC04N090
94	OR GASKET C4-C6	MSC04N094
102A	Aluminum plate from 1999	MSC04N102A

104	ALUMINIUM SHAFT FOR C6	MSC06N104
108	SHAFT PULLEY _ C4-C6	MSC04N108
112	BELT C4-C6 630x6 UNTIL '99	MSC04N112
112A	BELT FOR C4-C6 FROM '99	MSC04N112A
114	FOOT FOR CUTTER C4-C6-C9	MSC04N114
116	Bottom safety grate	MSC04N116
136B	110/60 motor	MSC04N136A
136A	MOTOR 230V 50Hz C4-C6-C9	MSC04N136
154	Bottom plate	MSC04N154
160	Motor holder	MSC04N160
162	Upper plate	MSC04N162
170	BOWL SCRAPER, RED COLOUR	MSC04N200
173	UPPER BLADE GUARD RED _ C4-C6	MSC04N073
174	SHARPENING STONE, CUTTER	MSC04N174
175	BOTTOM BLADE GUARD RED _ C4-C6	MSC04N075

## TAV. 2/2

Ref.	Product name	Code
200C	US POWER CORD 1PH FOR SLICER	19410503
200B	UK POWER CORD SINGLE PHASE	19410504
200A	SUPPLY CORD SINGLE-PHASE "SHUKO"	19410502
202A	STRAIN RELIEF FROM 1999 _ C4-C6-C9	MSC04N202A
202	STRAIN RELIEF _ C4-C6-C9	MSC04N202
230B	POWER CIRCUIT BOARD 110/60	19411010
230A	POWER CIRCUIT BOARD 230 V	19411007
230/1-B	CIRCUIT BOARD 110/60 FROM 99 C4-C6	19413008
230/1-A	CIRCUIT BOARD _ C4-C6 FROM 1999	19413007
236/1	SPEED CONTROL KNOB FOR C4-C6-C9VV	MSC04V236
236	MANOPOLA VV F.AL 95 C4-C6-C9VV	MSC04V236/V
238	SPEED CONTROL LABEL _ C4-C6-C9 VV	MSC04V238
257	POTENTIOM.C9VV (C4&C6 until 04/'99)	MSC04V257
258	POTENTIOMETER FROM 2000 C4-C6 VV	19414060N
262	MECHANICAL MICROSWITCH C4-C6	MSC04N262
264	MICROSWITCH HOLDER C4-C6	MSC04N264
276	MECHANICAL MICROSWITCH _ C4-C6-C9	MSC04N276
280	TERMINAL BOARD _ C4-C6-C9	MSC04N280
286	NOISE FILTER	MSC04N286
292	LEVER MICROSWITCH FOR CUTTER	MSC04N292