

Зип Общепит

S 30/A • S 40/A • S 40/TA

vsezip.ru

+7(812)987-08-81



PIZZA ROLLING MACHINE



Operation and maintenance manual

Зип Общепит
vsezip.ru
+7(812)987-08-81

Зип Общепит
S 30/A • S 40/A • S 40/TA
vsezip.ru

+7(812)987-08-81



PIZZA ROLLING MACHINE

CONTENTS

1 GENERAL INFORMATION

Purpose of the manual.....	4
Manufacturer and machine identification.....	4
Machine descriptions.....	5
Technical specifications.....	5
Overall dimensions.....	6
Safety devices.....	6
Safety information.....	7
Residual risks.....	7

2 INSTALLATION INFORMATION

Packaging and unpacking.....	8
Installation area.....	8
Electrical connections	8

3 USE AND CLEANING INFORMATION

Control descriptions.....	9
Machine use.....	9
Pedal control.....	9
Recommendations for use.....	10
End of the day cleaning.....	10
Roller blade cleaning.....	10
Extended periods of disuse	10

4 TROUBLESHOOTING. RECYCLING

Introduction.....	11
Problems, causes, solutions.....	11
Disposal and recycling.....	11

ATTACHMENTS

Spare parts catalogue
Wiring diagram

Purpose of the manual

This manual was written by the Manufacturer and is an integral part of machine equipment. During design and construction the Manufacturer has carefully considered possible hazards and personal risks that may result from interaction with the machine. In addition to observing the specific laws in force, the manufacturer has adopted all “exemplary construction technique principles”. The purpose of this information is to advise the users to adopt extreme caution to avoid risks. However, discretion is invaluable. Safety is also in the hands of all the operators who interact with the machine. Keep this manual in a suitable place, always within reach for consultation. The following symbols are included to better stress some passages:

⚠ DANGER – WARNING: indicates hazards that may cause serious damages; attention is required.

ℹ INFORMATION: indicates particularly important technical information.

The following is enclosed with this manual:

- Warranty certificate describing the Manufacturer's warranty conditions.
- Documents that prove conformity with effective health and safety laws.

Contact the Authorised dealer for any service request, information or spare parts order.

Machine and manufacturer identification

Manufacturer Identification			CE	Conformity markings
	Model			Machine model
Serial number	Serial No	Manufactured		Year of manufacture
Technical specifications	V	~	W	
	Hz	IPX3	kg	

Machine descriptions

+7(812)987-08-81

Mod.S 30/A – S 40/A:

The machine is ideal for rolling pizza dough into a round pie.

The range is made up of 2 different models:

S 30/A (maximum pizza diameter 300mm)

S 40/A (maximum pizza diameter 400mm)

The machine structure is made of easy to clean stainless steel.

It is equipped with safety devices in accordance with European Directives.

Mod. S 40/TA:

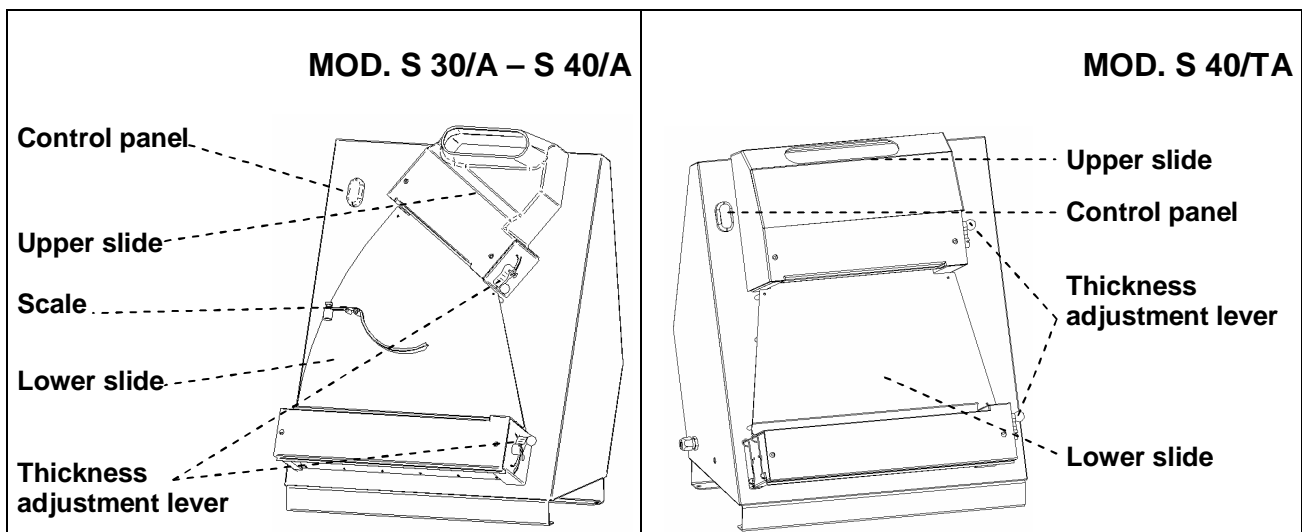
The machine is ideal for rolling pizza dough for pan baking.

The range is made up of 1 model:

S 40/TA (maximum pizza width 400mm)

The machine structure is made of easy to clean stainless steel.

It is equipped with safety devices in accordance with European Directives.



Technical specifications

Descriptions	Unit of measure	S 30/A	S 40/A	S 40/TA
Power supply	V Hz Ph	230V 50Hz 1Ph		
Power	kW (HP)	0.37 (0.5)	0.37 (0.5)	0.37 (0.5)
Lower roller width	mm	320	420	420
Net weight	Kg	36	44	43
Packaged weight	Kg	46	54	53
Noise level		Less than 70 dB (A)		
Installation		Counter		
Protection level		IPX3		
Electrical shock protection		Class I		
Conformity		73/23/EEC - 93/68/EEC – 98/37/EEC - 89/336/EEC – 89/109/EEC – 2002/72/EEC		

Overall dimensions

+7(812)987-08-81

mm	A	B	C	
S 30/A	800	650	690	
S 40/A	800	650	690	
S 40/TA	800	650	690	
mm	A	B	C	
S 30/A	490	510	640	
S 40/A	590	510	760	
mm.	A	B	C	
S 40/TA	590	510	700	

Safety devices

Roller guards: limit risks of catching upper limbs. Removing them from the appliance is strictly forbidden. The manufacturer is not liable for damages to persons or things due to neglect to observe these instructions.

Breaker: in the event of accidental power outage, the machine must be voluntarily restarted.

Safety information

- Careful consultation of this manual before installation and use is essential. Continual observance of the indications found in the manual guarantee personal and machine safety.
- Never tamper with safety devices for any reason.
- Strict observance of the work safety regulations issued by the responsible organisations in each country is strongly recommended.
- The manufacturer is not liable for damages to persons or things due to the neglect of safety regulations.
- Correct machine placement, illumination and cleanliness are important conditions for personal safety.
- Do not expose the machine to the elements.
- Machine connections and start-up must only be performed by specialised technicians.
- Make sure that the system specifications of the room where the machine is installed correspond to the information printed on the plate.
- Make sure the machine is connected to a grounding system.
- The work area around the machine must always be kept clean and dry.
- Use the garments foreseen by work safety regulations.
- This machine must only be used for its specific purpose; any other use is considered improper and therefore hazardous.
- Check the suitability and weight of products to be processed; do not overload the machine.
- Introducing objects, tools, hands or other things within hazardous parts is forbidden.
- Keep the machine away from children.
- Disconnect the power cord from the electrical socket when the machine is not in use.
- In the event of malfunctions and/or problems, do not attempt to repair the machine. Contact the authorised dealer.
- Use original spare parts.
- Before cleaning the machine, disconnect the power supply by unplugging the machine.
- Do not clean with high-pressure jets of water.

Residual risks

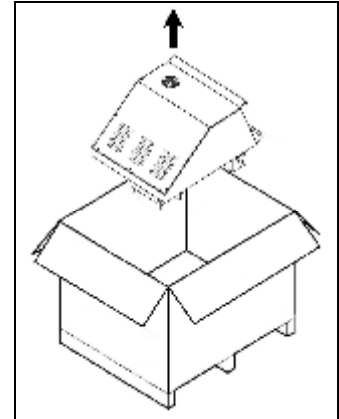
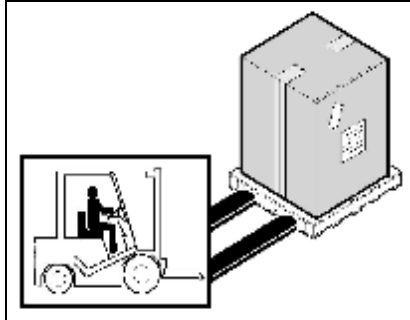
In accordance with point 1.7.3 “Residual risk warnings” in Machine Directive 89/392 and further amendments, please note that the safety guards, constructed in accordance with said Directive, do not completely eliminate burning risks to upper limbs.

+7(812)987-08-81

Packing and unpacking

The machine is packaged in cardboard with polyester foam inserts to guarantee full integrity during transport.

- Handle the packaging according to the instructions.
- Open the packaging and check the integrity of all components. Keep packaging for future moves.
- Lift the machine as indicated and place it in the installation area.



Installation area

The arranged area must be suitably illuminated and an electrical socket must be available. The resting surface must be sufficiently ample, even and dry. The machine must be installed in rooms with non-explosive environments. In any case, installation must also be performed in consideration of the work safety laws in force.

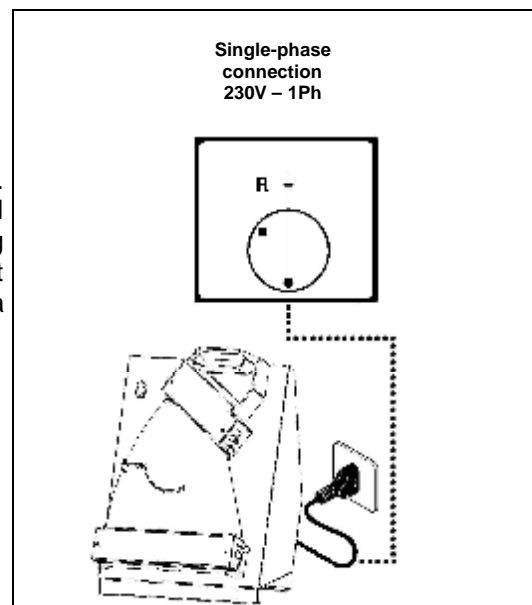
Room conditions table

Descriptions	Values
Working temperature	0÷35 °C (32÷95 °F)
Storage temperature	-15 to +65 °C (from -6.8 to +149 °F)
Relative humidity	Maximum 80% with 20 °C room temperature Maximum 50% with room temperature between 20÷60 °C
Dustiness	Less than 0.03 g/m ³

Electrical connections

⚠ DANGER – WARNING: Electrical connections to the supply mains must be performed by specialised personnel.

Verify the efficiency of the grounding system in the building. Make sure that line voltage (**V**) and frequency (**Hz**) correspond to those of the machine (See the identification plate and wiring diagram). The machine is equipped with an electrical cord that connects to a multi-polar plug. The plug is to be connected to a wall switch equipped with a circuit breaker.



+7(812)987-08-81

Control descriptions

1) Start button "I"

Press the button to start the machine.

2) Stop button "0"

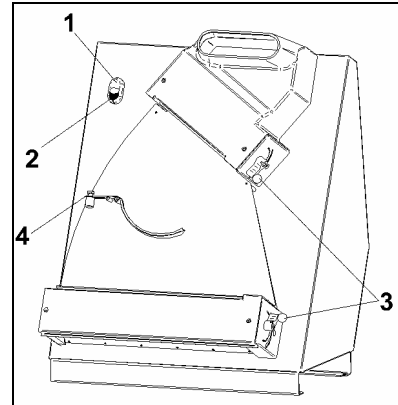
Press the button to stop the machine.

3) Roller adjustment lever

Rotate the lever down to increase thickness. Rotate the lever up to reduce thickness

4) Scale counter-weight knob (mod. S 30/A-S 40/A only)

Unscrew the knob and adjust the counter-weight according to the size and weight of the piece of dough. Screw-in the knob when the counter-weight is in the required position.



Machine use

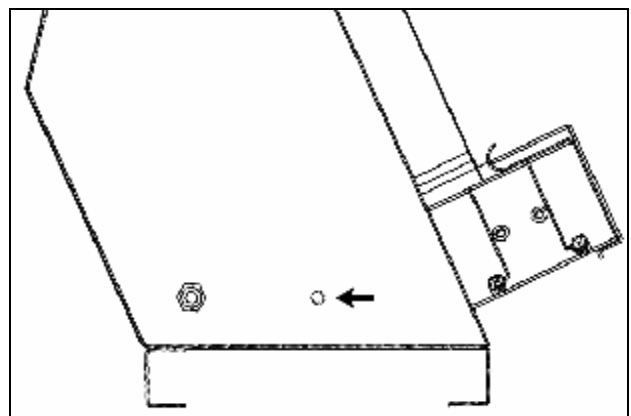
- Use the specific levers to adjust thickness on both roller units. The upper rollers must be adjusted to a fairly wide opening while the lower rollers must have an opening as wide as the required thickness (run a few tests to correctly perform this operation).
- Adjust the position of the scale counter-weight according to the size and weight of the dough to be rolled, mod. S 30/A – S 40/A only (run a few tests to correctly perform this operation).
- Make sure the roller blades are in the correct position and that their springs are well-tensioned.
- Start the machine by pressing the start button "I".
- Flatten the piece of dough and liberally cover it with flour to assist the passage through the rollers.
- When finished, stop the machine by pressing the stop button "0".



INFORMATION: For use with very irregular-shaped pieces of dough, remove the scale (mod. S 30/A – S 40/A only) and manually rotate the piece as it passes between the two pairs of rollers.

Pedal control

- With the machine off, insert the pedal control plug in the socket on the side of the appliance.
- Press the start "I" button to power the pedal.
- Start the machine by pressing down on the pedal control. Release the pedal to stop the machine. The machine will restart each time the pedal is pressed down.
- When finished, turn off the pedal control by pressing the stop button "0".



DANGER – WARNING: To prevent the appliance from accidentally restarting, always turn off the pedal after use by pressing the stop button "0". Only remove the pedal plug from the socket after pressing the stop button.

Recommendations for use +7(812)987-08-81

Always use the machine with a wide opening between the upper rollers to prevent excessively straining the transmission components. Furthermore, flatten and liberally cover the piece of dough with flour before placing it in the machine to assist passage through the rollers.

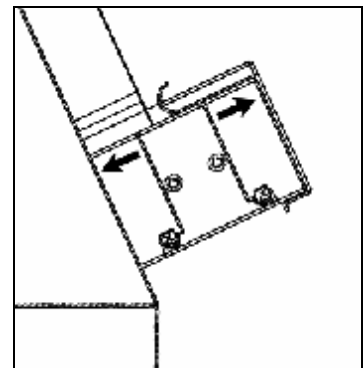
⚠ DANGER – WARNING: The safety guards included in the packaging must be securely fastened to the machine before use. The manufacturer is not liable for damages to things or persons due to neglect to observe these instructions.

End of the day cleaning

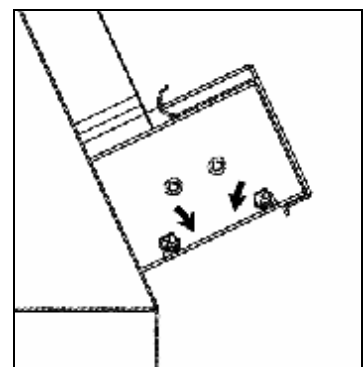
- Remove the plug from the electrical socket at the end of the day.
- Accurately clean using neutral products.
- Clean external machine parts with a damp sponge.
- Do not use metallic pads and abrasive detergents.

Roller blade cleaning

- Unhook the springs on the lower rollers by pushing them outwards.



- Rotate the pins inwards and clean the roller blades with a damp cloth.
- To return the roller blades to their initially position, follow the above directions in reverse order.



i INFORMATION: Before each work cycle make sure the roller blades are correctly fastened.

Extended periods of disuse

For extended periods of disuse, turn off the main wall switch, clean the machine and cover it with a cloth to protect it from dust.

Introduction

In the event of breakdown or malfunctioning, turn off the wall fuse and contact your Dealer's service centre. Avoid dismantling internal machine parts.

The manufacturer is not liable for any machine tampering!

Problems, causes, solutions

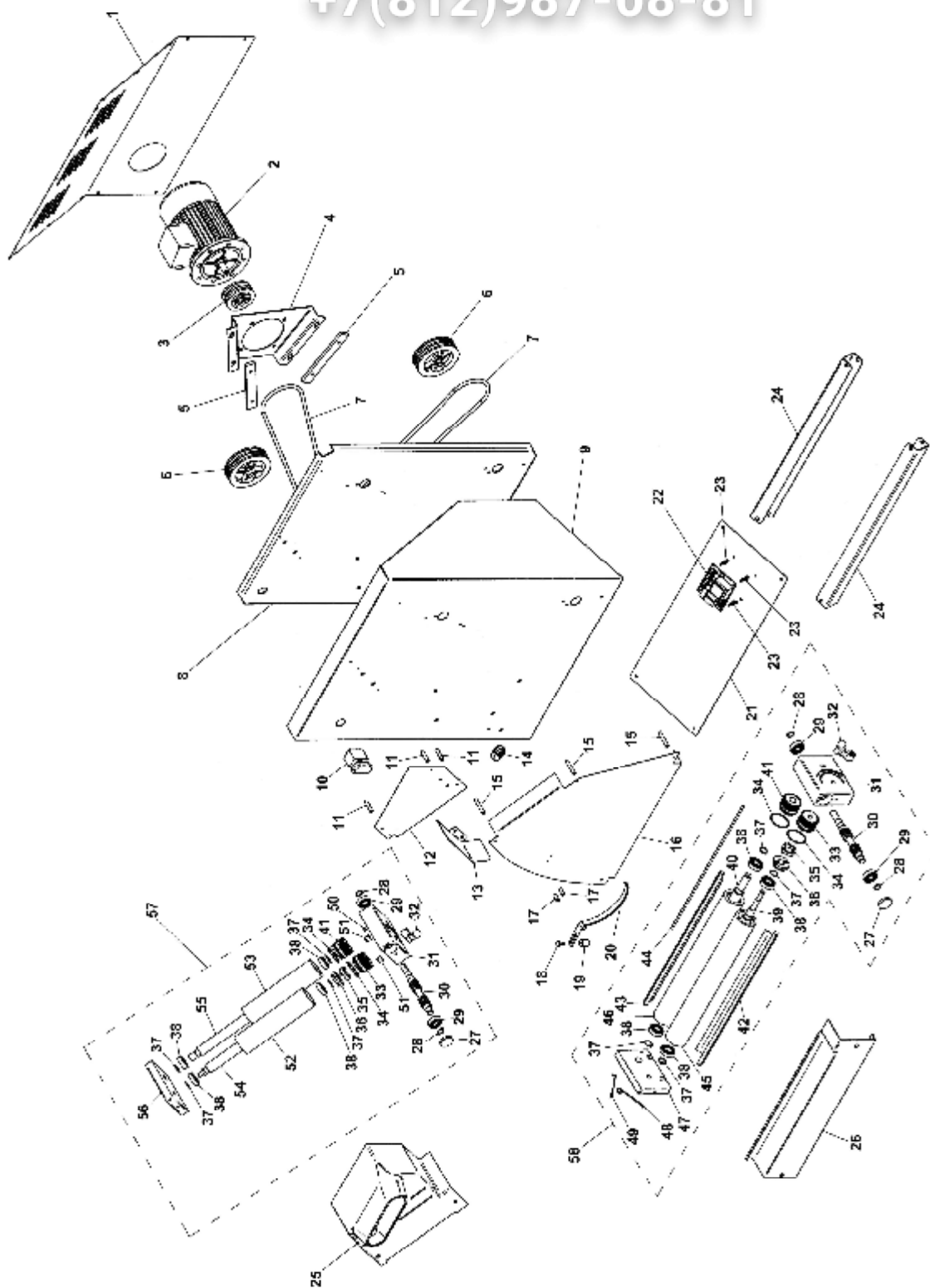
Problem	Cause	Solution
The machine does not start	Main switch off	Turn on main switch to "I"
	No voltage on the power supply	Contact your dealer's service centre
	Safety fuse burnt out	Contact your dealer's service centre

Disposal and recycling

The machine was designed and constructed to work for an average of 10.000 hours. When finished using the machine, follow national laws for disposal and recycling. Please contact the environmental authorities or authorised organisations.

vsezip.ru

+7(812)987-08-81

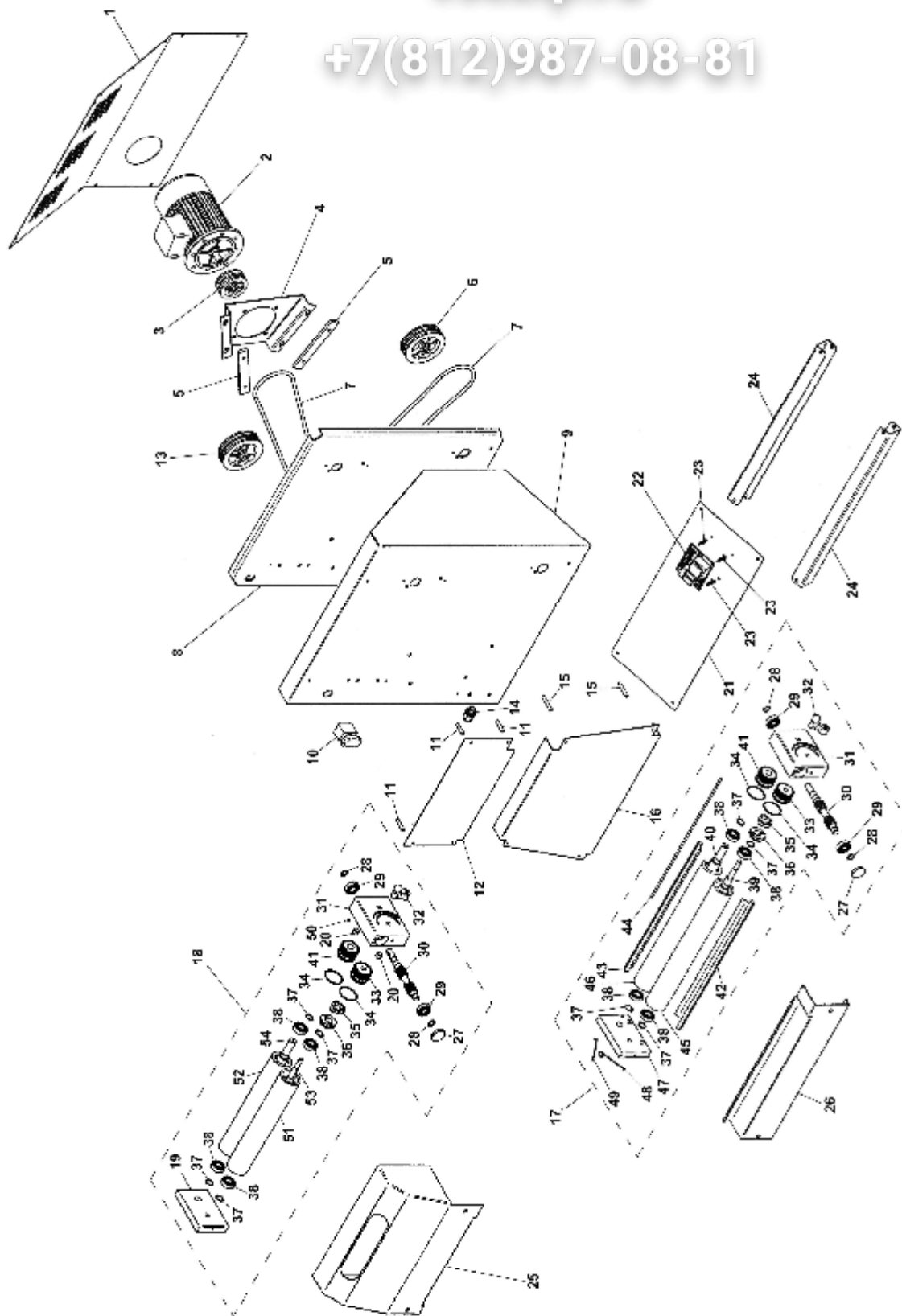


Rif No	Codice Code	Caratteristiche Characteristics	Descrizione Description
1	SL2457	S30	Copertura Covering
1	SL2458	S40	Copertura Covering
2	SL1470	230V/1Ph/50Hz	Motore Motor
3	SL2432		Puleggia Pulley
4	SL2369		Staffa Bracket
5	SL2884		Guida Guide
6	SL2433		Puleggia Pulley
7	SL2956	ø8x1000	Cinghia Belt
8	SL2462	S30	Telaio Frame
8	SL2463	S40	Telaio Frame
9	SL2459	S30	Carcassa Housing
9	SL2460	S40	Carcassa Housing
10	SL0891		Pulsante Push button
11	SL2476	ø8x35 M4	Distanziale Spacer
12	SL2362	S30	Scivolo Chute
12	SL2363	S40	Scivolo Chute
13	SL2916		Staffa Bracket
14	SL1052	PG11	Pressacavo Cable clamp
15	SL2953	ø8x50 M4	Distanziale Spacer
16	SL2369	S30	Scivolo Chute
16	SL2370	S40	Scivolo Chute
17	SL3019	ø8x20 M4	Distanziale Spacer
18	SL0343	M5	Pomello Knob
19	SL2465		Contrappeso Counterweight
20	SL2360	S30	Bilancino Balance
20	SL2361	S40	Bilancino Balance
21	SL2371	S30	Fondo Bottom
21	SL2372	S40	Fondo Bottom
22	SL2990	230V/1Ph/50-60Hz	Scheda elettronica Electronic card
23	SL3020		Distanziale Spacer
24	SL2358	S30	Staffa Bracket
24	SL2915	S40	Staffa Bracket
25	SL2959	S30	Protezione Protection
25	SL2960	S40	Protezione Protection
26	SL2455	S30	Protezione Protection
26	SL2456	S40	Protezione Protection
27	SL2466		Tappo Tap
28	SL2471	ø15	Seeger Seeger
29	SL2472	6202 2RS	Cuscinetto Bearing
30	SL2425		Vite senza fine Endless screw
31	SL2375		Supporto Support
32	SA1260		Leva Lever
33	SL2427	Eccentric	Ingranaggio Gear
34	SL2883		Anello Ring
35	SL2430	Male	Giunto Joint
36	SL2429	Female	Giunto Joint
37	SL0017	ø17	Seeger Seeger
38	SL2473	6003 2RS	Cuscinetto Bearing
39	SL2436	Eccentric S30	Albero Shaft
39	SL2438	Eccentric S40	Albero Shaft
40	SL2435	Cylindrical S30	Albero Shaft
40	SL2437	Cylindrical S40	Albero Shaft
41	SL2426	Cylindrical	Ingranaggio Gear
42	SA1265	Eccentric S30	Raschiatore Scraper
42	SA1270	Eccentric S40	Raschiatore Scraper
43	SA1275	Cylindrical S30	Raschiatore Scraper
43	SA1280	Cylindrical S40	Raschiatore Scraper
44	SL2467	S30	Asta Rod
44	SL2468	S40	Asta Rod
45	SL2444	Eccentric S30	Rullo Roller
45	SL2446	Eccentric S40	Rullo Roller
46	SL2443	Cylindrical S30	Rullo Roller
46	SL2445	Cylindrical S40	Rullo Roller
47	SL2376		Supporto Support
48	SL2384	Eccentric	Molla Spring
49	SL2385	Cylindrical	Molla Spring
50	SL3035		Tappo Tap
51	SL3096		Tappo Tap
52	SL2448	Eccentric S30	Rullo Roller
52	SL2450	Eccentric S40	Rullo Roller
53	SL2447	Cylindrical S30	Rullo Roller
53	SL2449	Cylindrical S40	Rullo Roller
54	SL2440	Eccentric S30	Albero Shaft
54	SL2442	Eccentric S40	Albero Shaft
55	SL2439	Cylindrical S30	Albero Shaft
55	SL2441	Cylindrical S40	Albero Shaft
56	SL2422		Supporto Support
57	SA1285	Upper S30	Gruppo rulli Assembly rollers
57	SA1290	Upper S40	Gruppo rulli Assembly rollers
58	SA1295	Lower S30	Gruppo rulli Assembly rollers
58	SA1305	Lower S40	Gruppo rulli Assembly rollers

(*): fuori produzione / out of production

vsezip.ru

+7(812)987-08-81



Rif No	Codice Code	Caratteristiche Characteristics	Descrizione Description
1	SL2925		Copertura Covering
2	SL1470	230V/1Ph/50Hz	Motore Motor
3	SL2432		Puleggia Pulley
4	SL2369		Staffa Bracket
5	SL2884		Guida Guide
6	SL2433		Puleggia Pulley
7	SL2956	ø8x1000	Cinghia Belt
8	SL2464		Telaio Frame
9	SL2461		Carcassa Housing
10	SL0891		Pulsante Push button
11	SL2476	ø8x35 M4	Distanziale Spacer
12	SL2359		Scivolo Chute
13	SL2434		Puleggia Pulley
14	SL1052	PG11	Pressacavo Cable clamp
15	SL2953	ø8x50 M4	Distanziale Spacer
16	SL2369	(F132)	Scivolo Chute
16	SL2370	(F142)	Scivolo Chute
17	SA1305	Lower	Gruppo rulli Assembly rollers
18	SA1310	Upper	Gruppo rulli Assembly rollers
19	SL2422		Supporto Support
20	SL3096		Tappo Tap
21	SL2372		Fondo Bottom
22	SL2990	230V/1Ph/50-60Hz	Scheda elettronica Electronic card
23	SL3020		Distanziale Spacer
24	SL2915		Staffa Bracket
25	SL2961		Protezione Protection
26	SL2456		Protezione Protection
27	SL2466		Tappo Tap
28	SL2471	ø15	Seeger Seeger
29	SL2472	6202 2RS	Cuscinetto Bearing
30	SL2425		Vite senza fine Endless screw
31	SL2375		Supporto Support
32	SA1260		Leva Lever
33	SL2427	Eccentric	Ingranaggio Gear
34	SL2883		Anello Ring
35	SL2430	Male	Giunto Joint
36	SL2429	Female	Giunto Joint
37	SL0017	ø17	Seeger Seeger
38	SL2473	6003 2RS	Cuscinetto Bearing
39	SL2438	Eccentric	Albero Shaft
40	SL2437	Cylindrical	Albero Shaft
41	SL2426	Cylindrical	Ingranaggio Gear
42	SA1270	Eccentric	Raschiatore Scraper
43	SA1280	Cylindrical	Raschiatore Scraper
44	SL2468		Asta Rod
45	SL2446	Eccentric	Rullo Roller
46	SL2445	Cylindrical	Rullo Roller
47	SL2376		Supporto Support
48	SL2384	Eccentric	Molla Spring
49	SL2385	Cylindrical	Molla Spring
50	SL3035		Tappo Tap
51	SL2444	Eccentric	Rullo Roller
52	SL2443	Cylindrical	Rullo Roller
53	SL2436	Eccentric	Albero Shaft
54	SL2435	Cylindrical	Albero Shaft

(*) : out of production

