

Зип Общепит

vsezip.ru

АМІКА
+7(812)987-08-81

SPARE PARTS CATALOGUE
ERSATZTEILKATALOG
CATALOGUE PIECES DETACHEES
CATALOGO PARTI RICAMBIO
CATALOGO DE PIEZAS DE RECAMBIO
CATALOGO PEÇAS DE REPOSICAO

8XL

10-02-2009

Tav.1: Carrozzeria
Tav.2: Impianto elettrico
Tav.3: Componenti in vasca
Tav.4: Circuito di lavaggio
Tav.5: Circuito di risciacquo
Tav.6: Lance di lavaggio
Tav.7: Pompa di lavaggio
Tav.8: Pompa di scarico

Tav.1: Machine body
Tav.2: Electrical components
Tav.3: Components in the tank
Tav.4: Washing circuit
Tav.5: Rinsing circuit
Tav.6: Washing arms
Tav.7: Washing pump
Tav.8: Draining pump

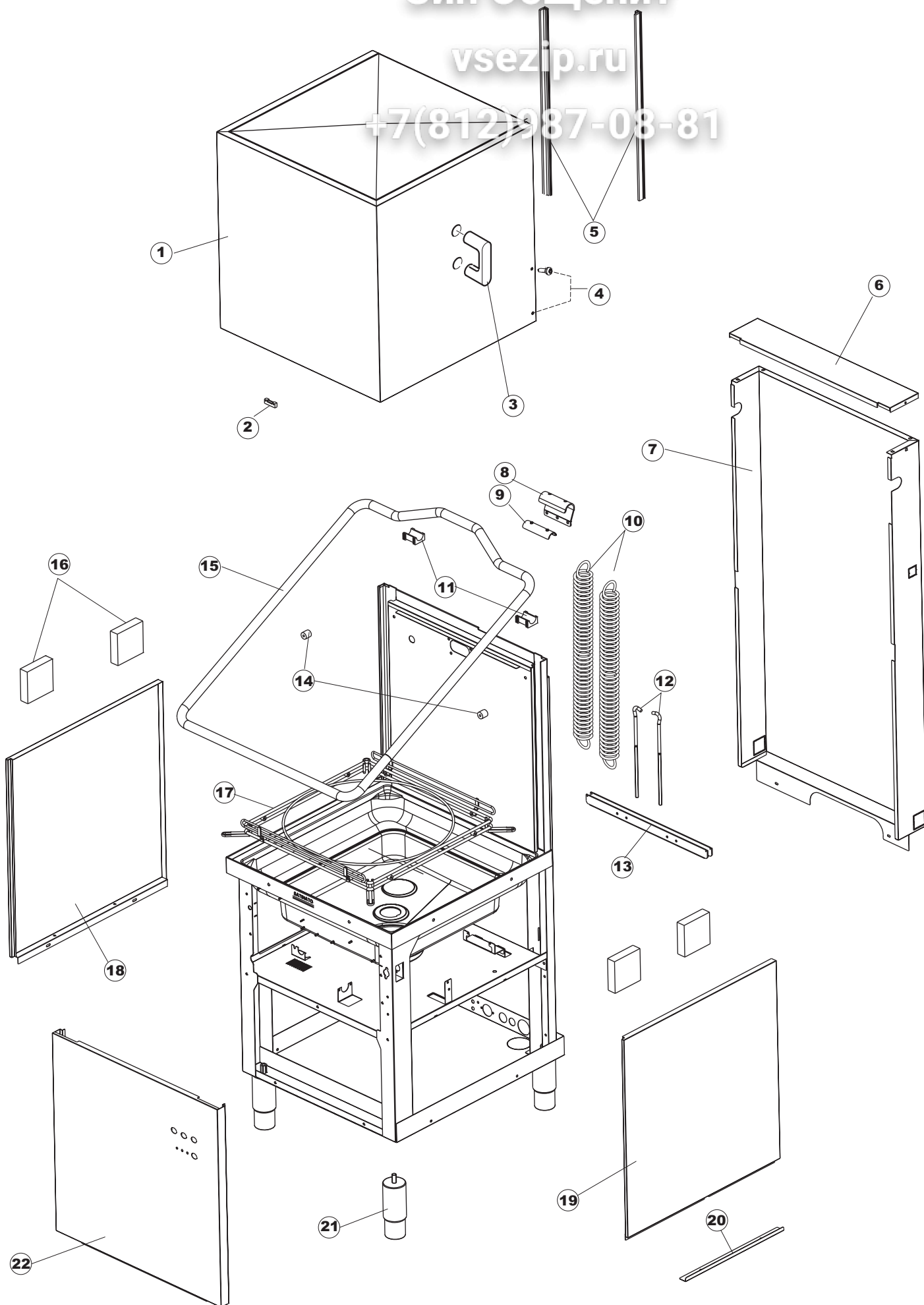
Tab.1: Carrocería
Tab.2: Instalación eléctrica
Tab.3: Componentes en cuba
Tab.4: Circuito de lavado
Tab.5: Circuito d'enjuague
Tab.6: Brazos de lavado
Tab.7: Bomba de lavado
Tab.8: Bomba de descarga

Tab.1: Carrosserie
Tab.2: Installation électrique
Tab.3: Composants de cuve
Tab.4: Circuit de lavage
Tab.5: Circuit de rinçage
Tab.6: Bras de lavage
Tab.7: Pompe de lavage
Tab.8: Pompe de vidange

Taf.1: Verkleidung
Taf.2: Elektrische Anlage
Taf.3: Bauteile im Waschtank
Taf.4: Spuelschaltung
Taf.5: Nachspuelschaltung
Taf.6: Wascharmee
Taf.7: Spuelpumpe
Taf.8: Laugenpumpe

vsezip.ru

+7(812)987-08-81



Listino componenti per pagina 1

Зип Общепит

vsezip.ru

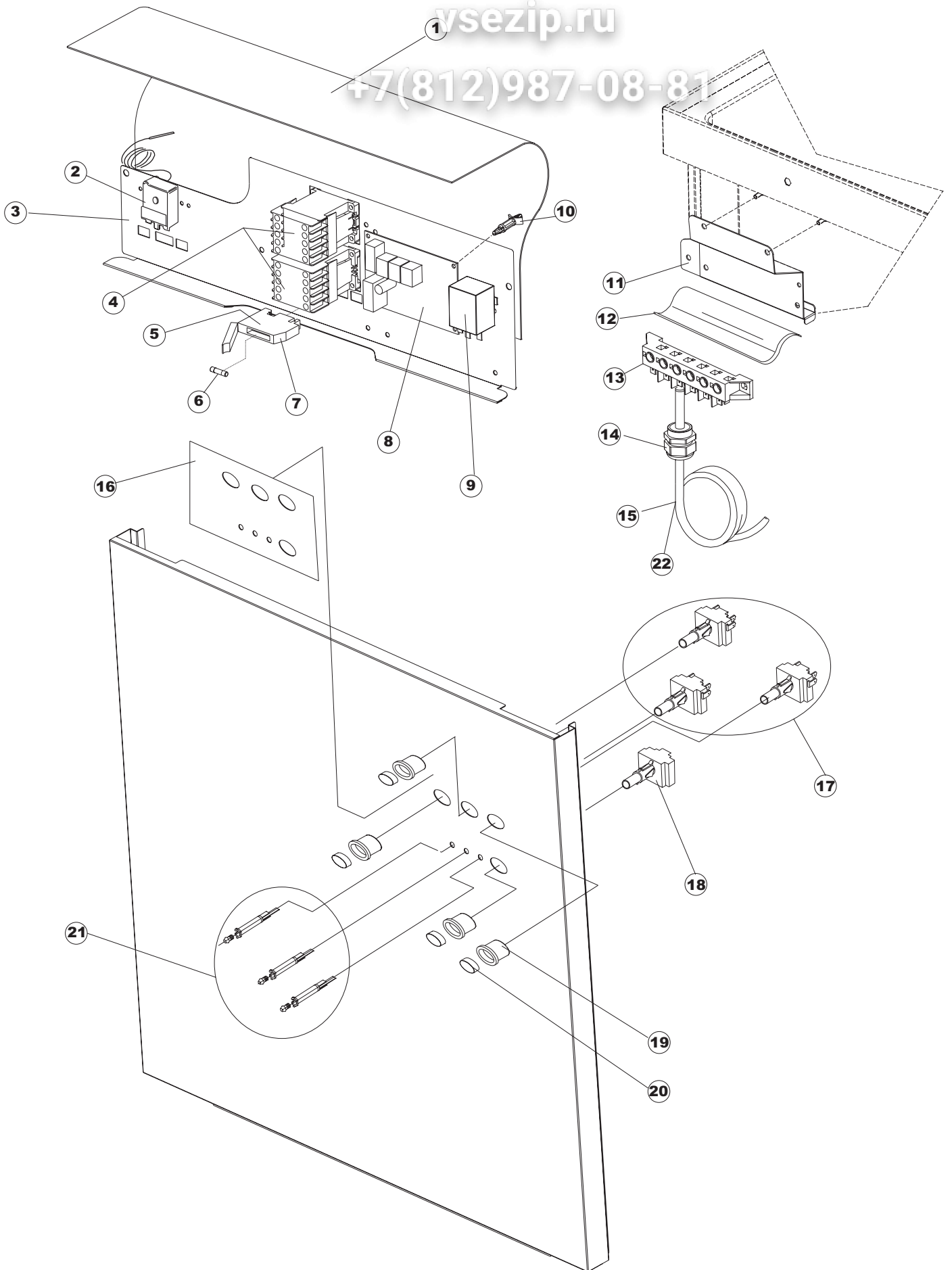
(7872)987-08-81

| | | | |
|----|--------|--|--|
| 1 | 80141 | GRUPPO CAPPА SQUADRATA COMPLETA COMPLETE HOOD GROUP KOMPLETE HAUBE GRUPPE GROUPE COMPLETE CAPOT GRUPO CAMPANA CUADRADA COMPLETA | |
| 2 | 927088 | MAGNETE PER MICROINTERRUTTORE MAGNET FOR MICROSWITCH MAGNET FÜR MIKROSCHALTER AIMANT POUR MINIRUPTEUR IMAN PARA MICROINTERRUPTOR | |
| 3 | 926243 | PONTICELLO GRIGIO MANIGLIA TIPO CLG. CONVEX TYPE HANDLE, GREY TYPE CLG. STEG, GRIFF GRAU TYP CLG. ARCADE GRIS POIGNEE TYPE CLG. PUENTE GRIS MANIJA TIPO CLG. | |
| 4 | 80998 | VITE PLASTICA M4X6 (DIN933) GOLD SCREW, PLASTIC M4X6 (DIN933) GOLD SCHRAUBE, KUNST. M4X6 (DIN933) GOLD VIS PLASTIQUE M4X6 (DIN933) GOLD TORNILLO PLASTICO M4X6 (DIN933) GOLD | |
| 7 | 80162 | PANNELLO RETRO VEDI CODICE 80167 PANEL, REAR PLATTE, HINTEN PANNELLO ARRIERE PANEL TRASERO | |
| 8 | 80275 | SQUADRA BRACKET WINKEL EQUERRE ESCUADRA | |
| 9 | 80277 | SQUADRA BRACKET WINKEL EQUERRE ESCUADRA | |
| 10 | 926007 | MOLLA TRAZ.CAPOTTA f5 100/120/140 SPRING, HOOD TRAZ. f5 100/120/140 SPANNFEDER HAUBE f5 100/120/140 RESSORT TRACT.CAPOT f5 100/120/140 MUELLE TRACC. CAPOTA f5 100/120/140 | |
| 11 | 80190 | SQUADRA SUPP.MANIGLIONE BRACKET, FOR HANBLE SUPP. WINKEL, HALTER FÜR GRIFF EQUERRE SUPP.POIGNEE ESCUADRA SOP. MANIJA | |
| 12 | 926009 | GANCIO REGOLAZIONE MOLLA 100/120/140 HOOK, ADJUST.SPRING 100/120/140 HAKEN, FEDERREGUL. 100/120/140 CROCHET REGLAGE RESSORT 100/120/140 GANCHO REGULACION MUELLE 100/120/140 | |
| 13 | 80023 | SQUADRA BRACKET WINKEL EQUERRE ESCUADRA | |
| 14 | 80105 | PARACOLPI CAPOT SHOCK-ABSORBER FOR CAPOT PUFFER FÜR DURCHSCHUBSPÜLAUTOM. PARE-CHOCS CAPOT GUARDAGOLPES CAPOT | |
| 15 | 80027 | MANIGLIONE RIVER HANDLE, RIVER GRIFF, RIVER POIGNEE RIVER MANIJA RIVER | |
| 16 | 41042 | SPESSORE ADESIVO PANNELLI LATERALI LP STICKY DOOR SIDE THICKNESS KLEBENPER SCHLEGER TEMPON ADHÉSIF ESPEMORE ADHESIVO PANELES LATERALES LP | |
| 17 | 80240 | TELAIO PORTACESTO CAPOT D1000 FRAME, RACK-HOLDER CAPOT D1000 RAHMEN, KORBHALTER DURCHSCHUBSPÜLAUTOM. D1000 CHASSIS PORTE-CASIER CAPOT D1000 BASTIDOR PORTACESTA CAPOT D1000 | |

| | | | |
|----|--------|--|--|
| 18 | 80071 | PANNELLO LATERALE SX PG FINI PANEL, SIDE LH PG PLATTE, SEITL. LINKS PG MASCHINENF. PANNEAU LATERAL GAUCHE PG FINI PANEL LATERAL IZDA PG ACAB. | |
| 19 | 80072 | PANNELLO LATERALE DX PG FINITO PANEL, SIDE RH PG PLATTE, SEITL. RECHTS PG MASCH. PANNEAU LATERAL DROITE PG FINI PANEL LATERAL DCHA PG ACABALO | |
| 20 | 80078 | SQ. FISSAGGIO SOTTOPIANI GOLD PG FINITO BRACK., UNDER-SHELVES FIX. GOLD PG FINISHED BEF.WINKEL, UNTERABLAGEF. GOLD PG MASCHINENFERTIG EQ. FIXATION SOUS-ETAGERES GOLD PG FINI ESC. FIJACION APOYOS SUPERFICIES GOLD PG | |
| 21 | 926117 | PIEDE REGOLABILE X CAPOTT.3LINEA (REGOLABILE 160-225M) FOOT, ADJUST. X CAPOTT.3LINE VERSTELLFUSS X HAUB.3LEIT. PIED REGLABLE POUR CAPOT.3LIGNE PATA REGULABLE X CAPOTA 3LINEA | |
| 22 | 69098 | PANNELLO FRONTALE STARTECH 805 FRONTPANEL STARTECH 805 FRONTPANEEL STARTECH 805 PANNEAU AVANT STARTECH 805 PANEL FRONTAL STARTECH 805 | |

vsezip.ru

+7(812)987-08-81



Listino componenti per pagina 2

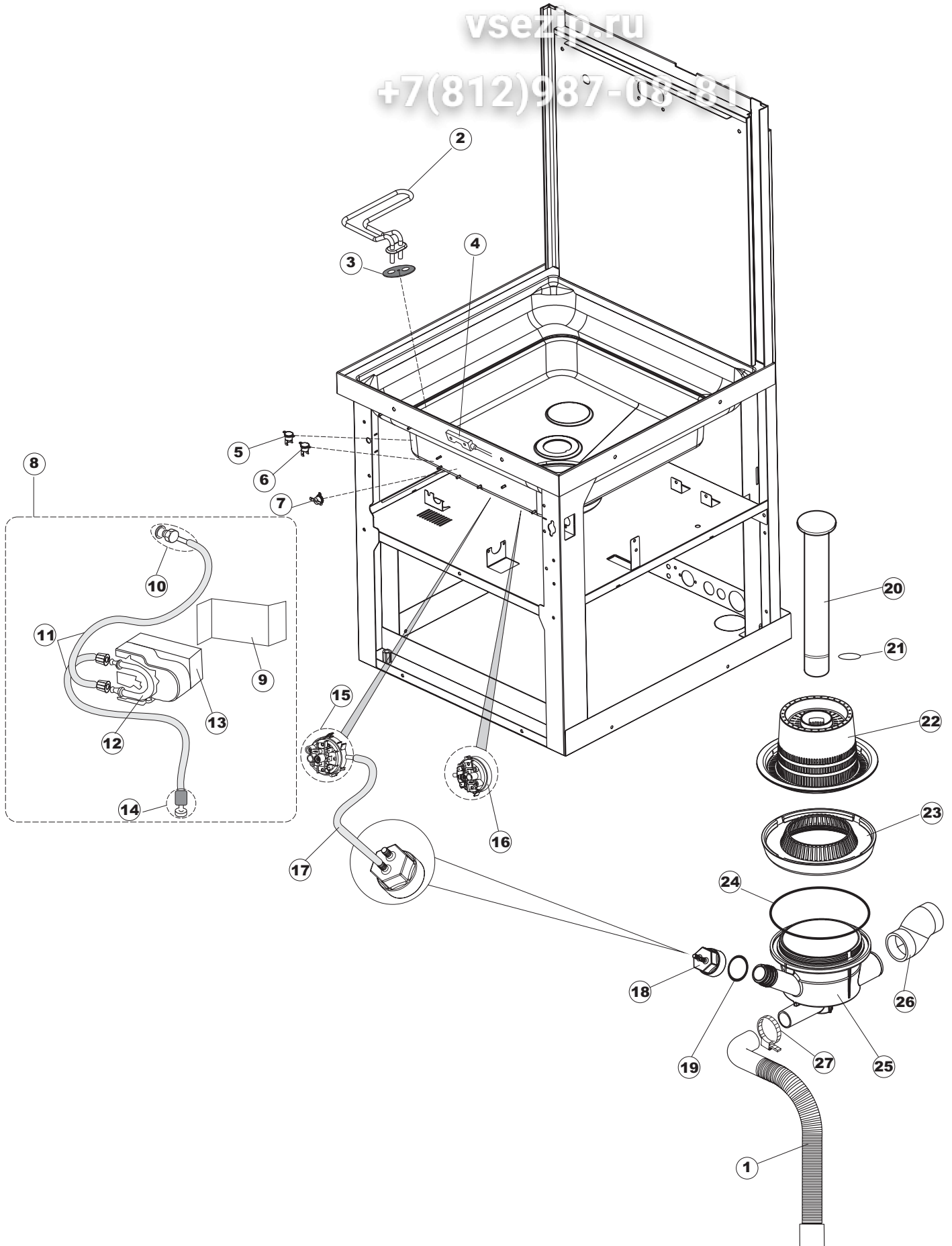
Зип Общепит

| | | | |
|----|----------|---|--|
| 1 | 214086 | PROTEZ.EL.TELA TRASP.463/503 EL.PROTECTION,TRASP.CANVAS 463/503 EL.SCHUTZ,DURCHS.GEWEBE 463/503 PROTECT.EL.TOILE TRANSP.463/503 PROT. EL. TELA TRANSP. 463/503 VER COD. 214108 | |
| 2 | 236043 | TERMOSTATO BOILER TR711 Tf-83ø THERMOSTAT, BOILER TR711 Tf-83ø THERMOSTAT, BOILER TR711 Tf-83ø THERMOSTAT CHAUDIERE TR711 Tf-83ø TERMOSTATO CALENTADOR TR711 Tf-83ø | |
| 3 | 69041 | PANNELLO IMPIANTO PANEL PANEEL PANNEAU PANEL INSTALACIÓN | |
| 4 | 80350 | CONTACT 230-50/60HZ 3RT1016-1AP01 CONTACT, 230-50/60HZ 3RT1016-1AP01 KONTAKT, 230-50/60HZ 3RT1016-1AP01 CONTACT 230-50/60HZ 3RT1016-1AP01 | |
| 5 | H.228048 | * CHIUSURA PORTA-FUSIBILE * CLAMPING FOR FUSE-HOLDER * SICHERUNGSTRAGER-VERSCHLUSS * COUVERTURE PORTE-FUSIBLE * CIERRE PORTAFUSIBLE | |
| 6 | 228010 | FUSIBILE 5X20 4A FAST FUSE 5X20 4A FAST SICHERUNG 5X20 T4A FUSIBLE5X20 T4A FUSIBLE 5X20 T4A RETARDADO 250V | |
| 7 | H.228047 | * PORTA-FUSIBILE * FUSE-HOLDER *SICHERUNGSTRAGER * PORTE-FUSIBLE * PORTAFUSIBLE | |
| 8 | 215029 | SCHEDA IGEA CONTROLLO SOST. DA 215038 MAIN BOARD KARTE CARTE ELECTRONIQUE TARJETA IGEA CONTROL ELT.LA50 IBRIDA | |
| 9 | DER111 | RELE 30A 230AC 653182300300 RELAY 30A 230AC 653182300300 RELAIS 30A 230AC 653182300300 RELAIS 30A 230AC 653182300300 VER CODIGO 229029 | |
| 11 | 69063 | SUPPORTO MORSETTIERA SUPPORT TERMINAL UNTERSTÜTZUNG TERMINAL TERMINAUX DE SOUTIEN SOPORTE BORNERO | |
| 12 | 214088 | PROTEZ.ELETTR.TRASP.CL.3 EL.PROTECTION,TRANSP.CL.3 EL.SCHUTZ,TRANSP.KL.3 PROTECT.ELECTR.TRANSP.CL.3 PROTECCION ELECTR. TRANSP. CL. 3 | |
| 13 | 220011 | * MORSETTIERA 5.POLI + TERRA FV.122 * TERMINAL BOARD, 5-POLES + EARTH FV.122 * KLEMMENBRETT, 5-POLIG + ERDUNG FV.122 * PLAQUE A BORNE 5POLES + TERRE FV.122 * BORNERO 5. POLOS + TIERRA FV. 122 | |
| 14 | 929103 | PRESSACAVO PG16 PASSO (BER 4716) CABLE GLAND PG16 PITCH (BER 4716) KABELSCHELLE PG16 STEIGUNG (BER 4716) SERRE CABLE PG16 PAS (BER 4716) SUJETA-CABLE PG16 PASO (BER 4716) | |
| 15 | 80997 | CAVO ALIMENTAZIONE MAIN CABLE ANSCHLUSSKABEL 400V CÂBLE ÉLECTRIQUE CABLE ALIMENTACION 5X2,5MM (H07RN-F) | |
| 16 | 69906 | MASCHERINA AMIKA 8XL MASK AMIKA 8XL MASKE AMIKA 8XL MASQUE AMIKA 8XL MASCARILLA AMIKA 8XL | |

| | | | |
|----|--------|---|----------|
| 17 | 208010 | DEVIATORE DOPPIO - 35/40/50 SWITCH, DOUBLE - 35/40/50 ABLENKER, DOPPELT - 35/40/50 COMMUTATEUR DOUBLE - 35/40/50 DESVIADOR DOBLE - 35/40/50 | |
| 18 | 226102 | STRUTTURA FISSA CM X TASTO ELLITTICO FIX FRAME CM FOR ELLIPTIC.KEY FESTES GESTELL CM FÜR ELLIP.TASTE STRUCTURE FIXE CM POUR TOUCHE ELLIPTIQUE ESTRUCTURA FIJA CM X TECLA ELIPTICA | |
| 19 | 226120 | CORPO PULS.ELLITT.GRIGIO 7015 11X21 ELLIPTICAL, GRAY PUSHBUTTON BODY ELLIPTISCHE, GRAUE DRUCKTASTENGEHAEUSE CORPS BOUTON POUSSOIR ELLIPTIQUE GRIS CUERPO PULS.ELIPT.GRIS 7015 11X21 | |
| 20 | 227077 | TASTO ELLITTICO CROMATO 11X21 ELLIPTICAL PUSH-BUTTON TECLA ELIPTICA CROMADA 11X21 | |
| 21 | 216029 | LAMPADA SPIA TB/06/SQ3 ARANCIO WARNING LAMP, TB/06/SQ3 ORANGE KONTROLL-LAMPE, TB/06/SQ3 ORANGE LAMPE-TEMOIN TB/06/SQ3 ORANGE LAMPARA TESTIGO TB/06/SQ3 NARANJA | |
| 22 | 80995 | CAVO ALIMENTAZIONE 4X4MM (H07RN-F) CABLE, FEED. 4X4MM (H07RN-F) STROMKABEL 4X4MM (H07RN-F) CABLE ALIMENTATION 4X4MM (H07RN-F) CABLE ALIMENTACION 4X4MM (H07RN-F) | 230V 3PH |

vsezip.ru

+7(812)987-08-81



Listino componenti per pagina 3

Зип Общепит

vsezip.ru

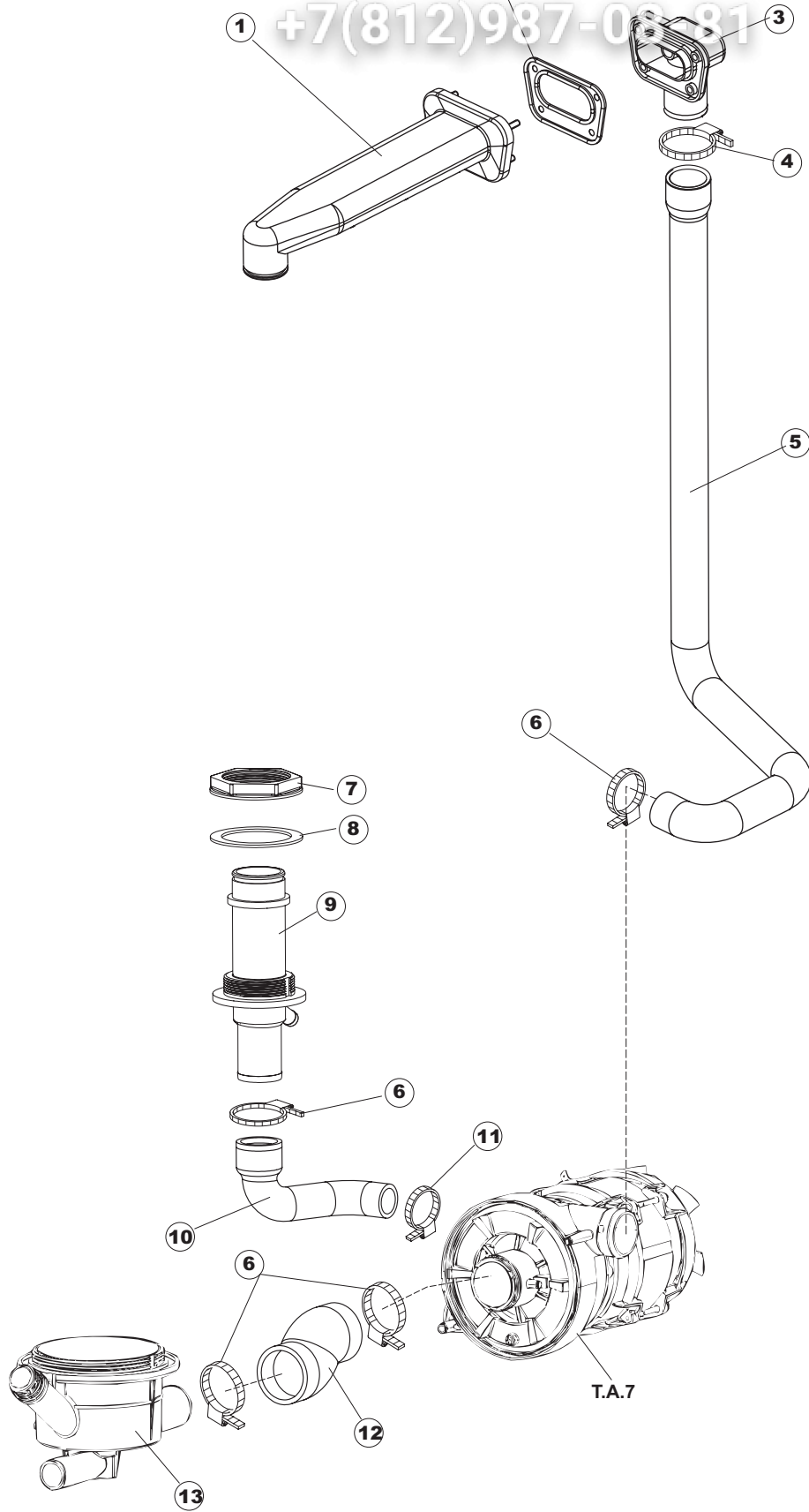
7(812)987-08-81

| | | | |
|----|--------|---|------------|
| 1 | 143252 | TUBO SCARICO LA50 DRAIN HOSE ABLAUFLEITUNG TUYAU VIDANGE TUBO DESCARGA LA50 | |
| 2 | 230112 | RESISTENZA V 1400W-230V - LA50 HEATING ELEMENT WIDERSTAND RÉSISTANCE ÉLECTRIQUE RESISTENCIA V.1400W-230V.LA50 | |
| 3 | 437086 | GUARNIZIONE RESISTENZA VASCA GASKET, TANK RESISTANCE DICHTUNG, TANKWIDERSTAND JOINT RESISTANCE CUVE JUNTA RESISTENCIA CUBETA | |
| 6 | 926189 | TERMOSTATO BOILER SIC.95ø THERMOSTAT, BOILER, SAF.95ø SICHERHEITSTHERMOSTAT BOILER 95° THERMOSTAT CHAUDIERE SEC. 95ø TERMOSTATO CALENTADOR SEG. 95ø | |
| 7 | 236035 | TERM.CONTATTO /L.60ø+/-3ø(2611573) THERM.,CONT. /L.60ø+/-3ø(2611573) THERM.,KONT. /L.60ø+/-3ø(2611573) THERM.CONTACT /L.60ø+/-3ø(2611573) TERM.CONTACTO /L.60°+/-3°(2611573) | |
| 8 | 41953 | KIT DOSATORE DETERGENTE REG. MANUALE KIT KIT KIT KIT DOSIF. DETERGENTE REG. MANUAL | Optional |
| 9 | 69030 | SQUADRA SUPPORTO DOSATORE PIEGATO FINITO ESC SOPORTE DOSIFICADOR PG ACABADO | Optional |
| 10 | 468151 | RACCORDO ENTRATA SAPONE CPL NM * SALDATO UNION, EXTRA DET. CPL NM * WELDED TANKEINLAUF CPL NM* RACCORD ENTREE SAVON CPL NM * SOUDE EMPALME ENTRADA JABON CPL NM * SOLDADO | Optional |
| 11 | 143194 | TUBO 4x6 CRISTAL TRASPARENTE PIPE 4x6 CRISTAL. TRANSP. SCHLAUCH 4X6 CRISTAL, DURCHS. TUYAU 4x6 CRISTAL TRANSPARENT TUBO 4x6 CRISTAL TRASPARENTE | Optional |
| 12 | 143219 | TUBETTO SANTOPRENE 6X10 RACCORDI+GHIERE TUBE, SANTOPRENE 6X10 FITTINGS+METAL RINGS MEMBRANSCHLAUCH SANTOPREN TUBE SANTOPRENE 6X10 RACC.+COLL.DE SERR. TUBITO SANTOPRENE 6X10 EMPALMES+VIROLAS | Optional |
| 13 | 209021 | DOSAT.PERIST.DETERGENTE REG. PERISTALTIC DISPENSER (NBR-3) DOSIERUNG PERISTALTIK DOSAGE PÉRISTALTIQUE DOSIFIC. PERIST.DETERGENTE REG. | |
| 15 | 224025 | PRESSOSTATO 105/125 MAIN PRESSURE SWITCH 105/125 ARBEITSDRUCKWAECHTER 105/125 PRESSOSTAT DE TRAVAIL 105/125 PRESOSTATO 105/125 TRABAJO | |
| 16 | 224023 | PRESSOSTATO-165/140 MAIN PRESSURE SWITCH 165/140 ARBEITSDRUCKWAECHTER 165/140 PRESSOSTAT DE TRAVAIL 165/140 PRESOSTATO-165/140 | Drain pump |
| 17 | 143131 | TUBO GOMMA PIPE SCHLAUCH FUER DRUCKSCHALTER TUYAU VER CODIGO 143005 | |
| 18 | 107013 | CAMPANA PRESSOSTATO PRESSURE SWITCH AIR BELL LUFT-GLOCKE DES DRUCKSCHALTERS CLOCHE PRESSOSTAT CAMPANA PRESOSTATO LA50 | |

| | | | |
|----|--------|---|----|
| 19 | 456073 | OR(50825)CAMPANA PRESS.LA50 O-RING O-RING O-RING OR(50825)CAMPANA PRES.LA50 | 2x |
| 20 | 142058 | TROPPO PIENO LA50 OVERFLOW PIPE LA50 UEBERLAUFROHR LA50 BONDE DE SURVERSE LA50 REBOSE LA50 | |
| 21 | 456081 | O-RING O-RING O-RING O-RING OR 2.62X28.25(12627)VITON 80SH LA50 | |
| 22 | 121120 | FILTRO BASE COMPLETO LA50 FILTER COMPLETE SIEB FILTRE COMPLETE FILTRO BASE COMPLETO LA50 | |
| 23 | 429072 | GHIERA CORPO ASPIR./SCARICO LA50 GEWINDERING ZWINGE VIROLE VIROLA CUERPO ASPIR./DESCARGA LA50 | |
| 24 | 456076 | OR.D.I.135.9X5.33 ART.53125 OR.D.I.135.9X5.33 ART.53125 TORISCHE DICHTUNG D.I.135.9X5.33 JOINT TORIQUE D.I.135.9X5.33 OR.D.I.135.9X5.33 ART.53125 | |
| 25 | 136028 | CORPO ASPIR./SCARICO LA50 ASPIRATION AND DRAIN BODY LA50 ABSAUG-UND ABFLUSSKOERPER LA50 CORPS D'ASPIRATION/VIDANGE LA50 CUERPO ASPIR./DESCARGA LA50 | |
| 26 | 127082 | MANICOTTO ASPIRAZIONE MANCHON REFOULEMENT RINÇAGE NACHSPUEL-FOERDERUNGSBOGEN COUDE APIRATION MANGUITO ASPIRACION | |
| 27 | CFS1 | FASCETTA A VITE TORRO 35-50/9 CLAMP, HOSE-TYPE TORRO 35-50/9 SCHLAUCHSCHELLE TORRO 35-50/9 BANDE DE SERRAGE A VIS TORRO 35-50/9 ABRAZADERA CON TORNILLO TORRO 35-50/9 | |

vsezip.ru

+7(812)987-08-81



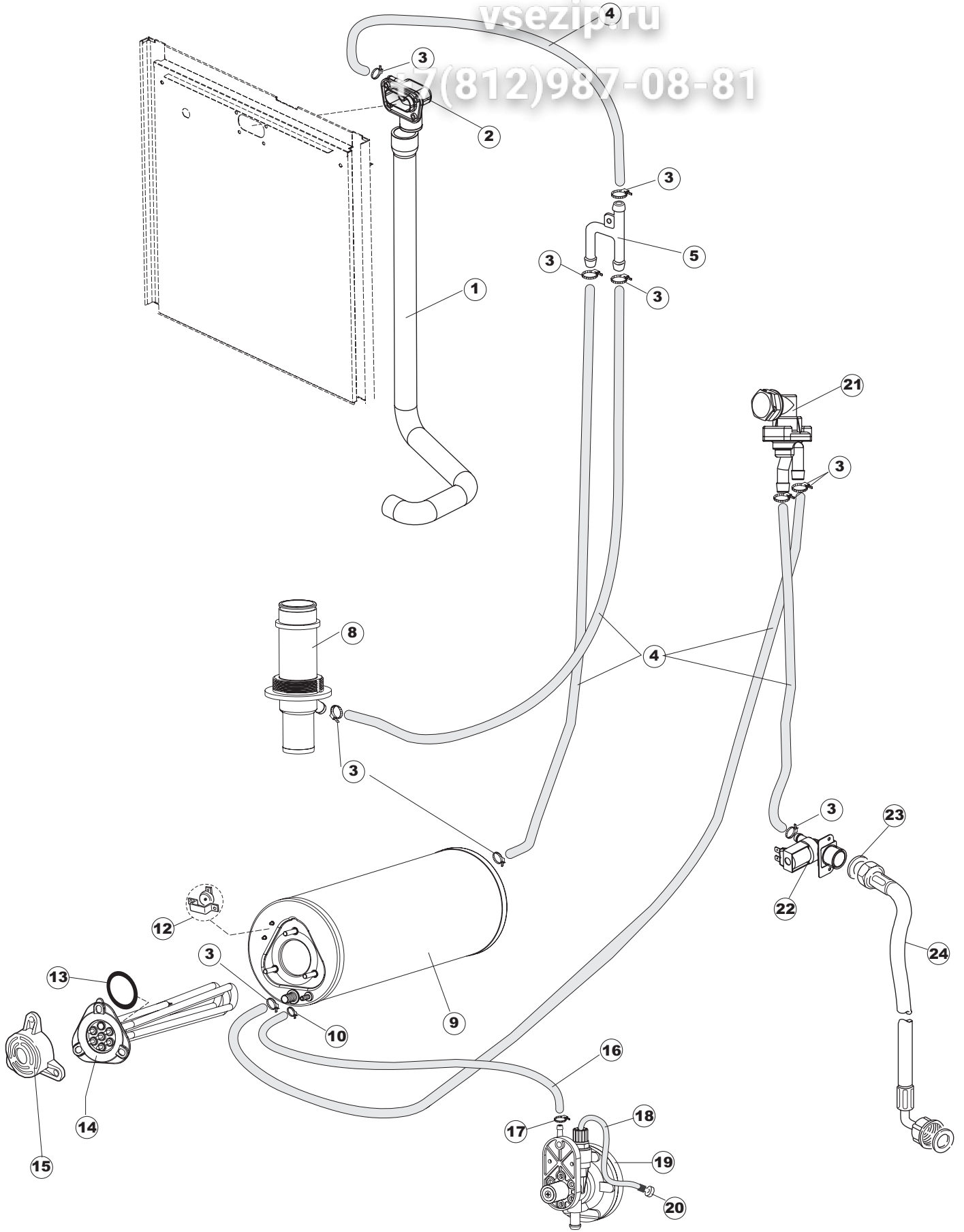
Listino componenti per pagina 4

Зип Общепит

| | | | |
|----|--------|---|--|
| 1 | 80177 | CONDOTTO LAVAGGIO SUP.RIVER PIPELINE - WASHING, UPPER RIVER LEITUNG - SPÜLEN, OB. RIVER CONDUITE LAVAGE SUP.RIVER CONDUCTO LAVADO SUP. RIVER | |
| 2 | 80178 | GUARNIZIONE GASKET DICHTUNG JOINT JUNTA | |
| 3 | 80174 | RACCORDO LAV.SUP.EXT.GOLD (COL.NEUTRO) UNION, WASH.UPP.OUTS.GOLD (NEUTRAL COL.) VERBINDUNGSST., OB.SPÜL. AUSS.GOLD (NEUTR. FARBE) RACCORD LAV.SUP.EXT.GOLD (COL.NEUTRE) EMPALME LAV. SUP. EXT. GOLD (COL. NEUTRO) | |
| 4 | CFS1A | FASCETTA A VITE TORRO W1/W2B 40-60/12 CLAMP, HOSE-TYPE TORRO W1/W2B 40-60/12 SCHELLE, SCHRAUBE TORRO W1/W2B 40-60/12 BANDE DE SERRAGE A VIS TORRO W1/W2B 40-60/12 ABRAZ. CON TORNILLO TORRO W1/W2B 40-60/12 | |
| 5 | 69020 | TUBO MANDATA LAVAGGIO SUPERIORE CAPOT FLOW HOSE DRUCKSCHLAUCH TUYAU DE REFOULEMENT TUBO IMPULSION LAVADO SUPERIOR CAPOT | |
| 6 | CFS1 | FASCETTA A VITE TORRO 35-50/9 CLAMP, HOSE-TYPE TORRO 35-50/9 SCHLAUCHSCHELLE TORRO 35-50/9 BANDE DE SERRAGE A VIS TORRO 35-50/9 ABRAZADERA CON TORNILLO TORRO 35-50/9 | |
| 7 | 429073 | GHIERA FISSA CONDOTTO INF.LA50 GEWINDERING MUTTER VIROLE VIROLA FIJA CONDUCTO INF.LA50 | |
| 8 | 437102 | GUARNIZIONE CONDOTTO INFER.LA50 GASKET DICHTUNG JOINT JUNTA CONDUCTO INFER.LA50 | |
| 9 | 115143 | CONDOTTO CENTRALE INF.LA50 TAPPO DOS. UPPER CENTRAL PIPE LA50 ZENTRALLEITUNG OBEN LA50 CONDUIT CENTRAL INFERIEUR LA50 CONDUCTO CENTRAL INF.LA50 TAPON DOSIF. | |
| 10 | 127085 | MANICOTTO MANDATA INF.LA50 PUMP INTAKE COUPLING LA50 SAUGMUFFE PUMPE LA50 MANCHON ASPIRATION POMPE LA50 MANGUITO IMPULSION INF.LA50 | |
| 11 | 423008 | FASCETTA D20X32X9 TIPO TORRO ACC.W1 CLAMP, D20X32X9 TYPE TORRO ACC.W1 SCHLAUCHSCHELLE D20X32X9 TYP TORRO ACC.W1 BANDE DE SERR. D20X32X9 TYPE TORRO ACC.W1 ABRAZADERA D20X32X9 TIPO TORRO ENC. W1 | |
| 12 | 127082 | MANICOTTO ASPIRAZIONE MANCHON REFOULEMENT RINÇAGE NACHSPUEL-FOERDERUNGSBÖGEN COUDE APIRATION MANGUITO ASPIRACION | |
| 13 | 136028 | CORPO ASPIR./SCARICO LA50 ASPIRATION AND DRAIN BODY LA50 ABSAUG-UND ABFLUSSKOERPER LA50 CORPS D'ASPIRATION/VIDANGE LA50 CUERPO ASPIR./DESCARGA LA50 | |

vsezip.ru

7(812)987-08-81



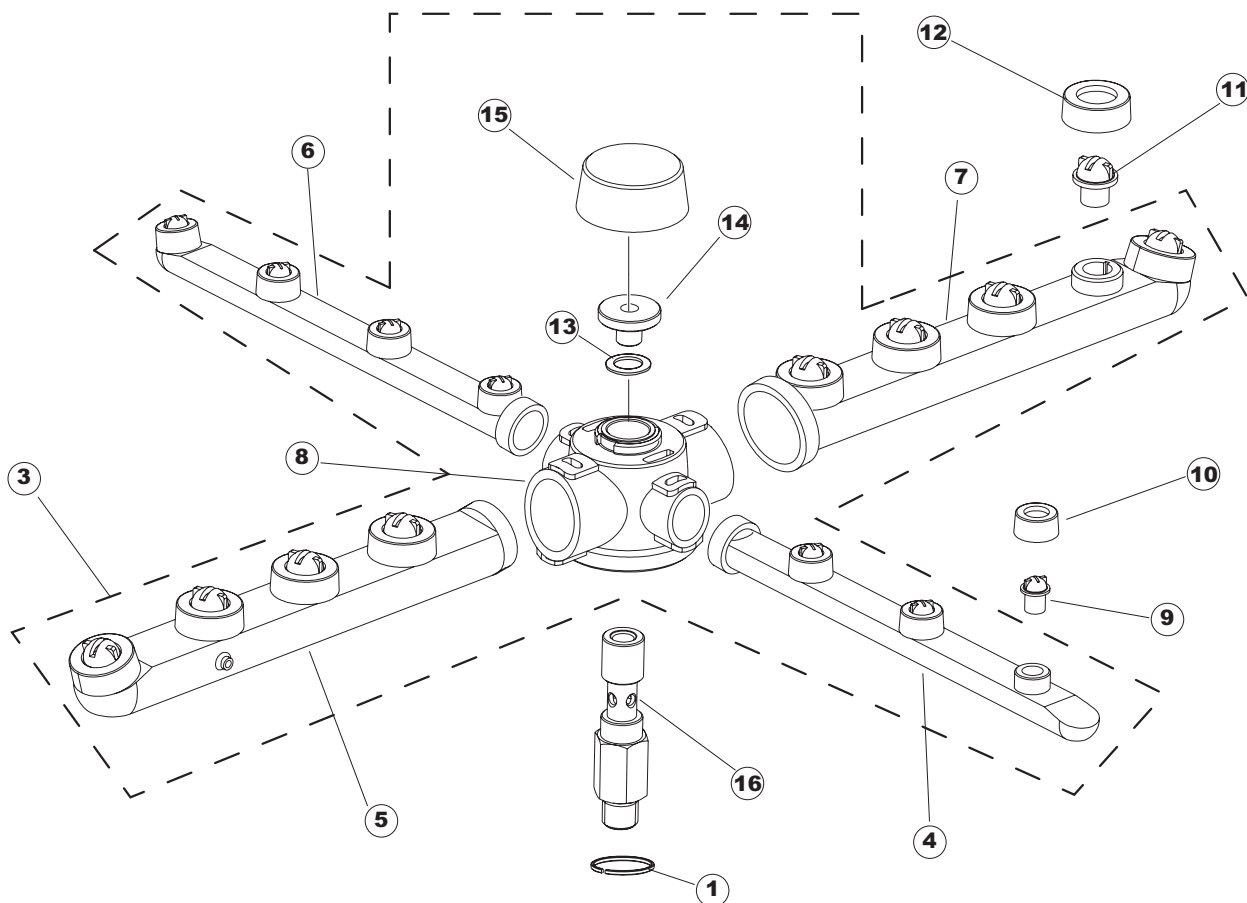
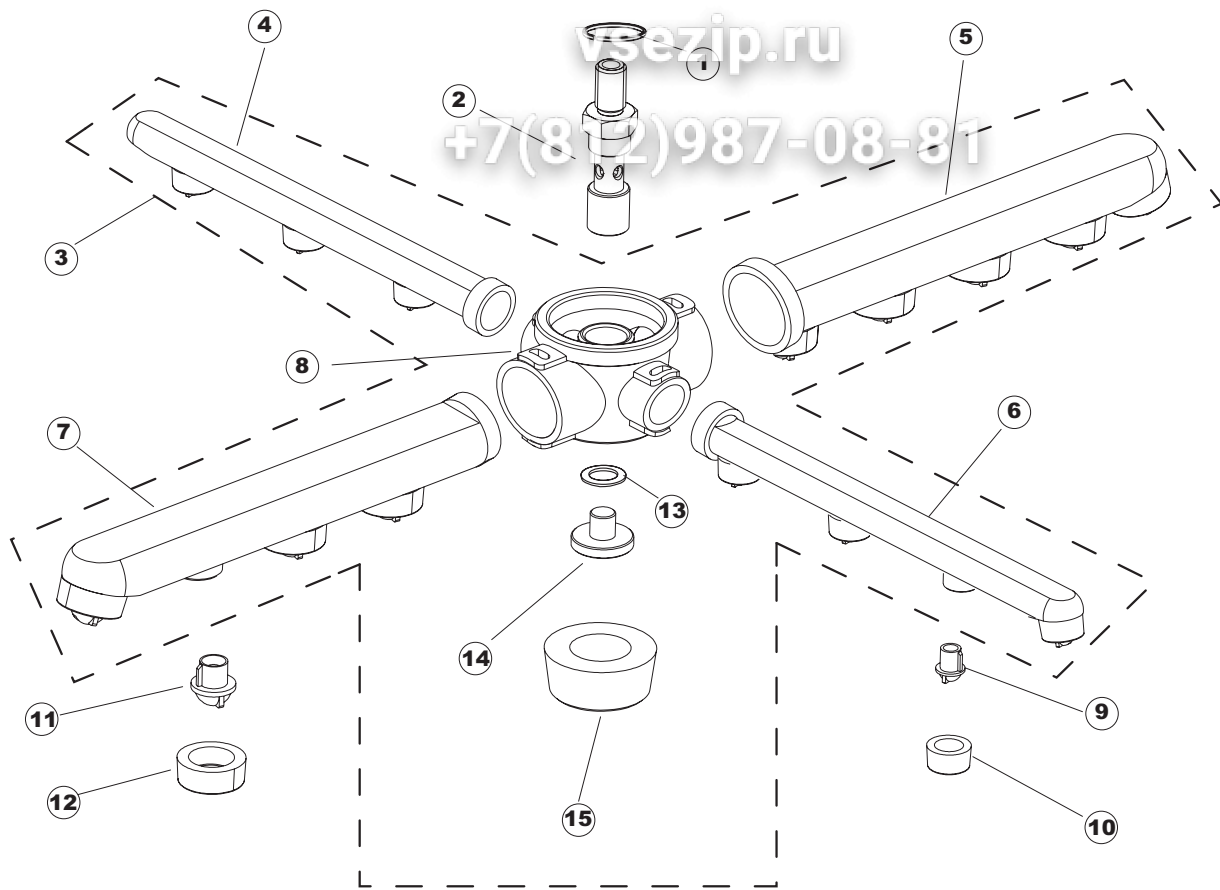
Listino componenti per pagina 5

| | | | |
|----|--------|---|--|
| 1 | 69020 | TUBO MANDATA LAVAGGIO SUPERIORE CAPOT FLOW HOSE DRUCKSCHLAUCH TUYAU DE REFOULEMENT TUBO IMPULSION LAVADO SUPERIOR CAPOT | |
| 2 | 80174 | RACCORDO LAV.SUP.EXT.GOLD (COL.NEUTRO) UNION, WASH.UPP.OUTS.GOLD (NEUTRAL COL.) VERBINDUNGSST., OB.SPÜL. AUSS.GOLD (NEUTR. FARBE) RACCORD LAV.SUP.EXT.GOLD (COL.NEUTRE) EMPALME LAV. SUP. EXT. GOLD (COL. NEUTRO) | |
| 3 | 927322 | FASCETTA NASTRO 14-24 CLAMP, TAPE 14-24 SCHLAUCHSCHELLE 12-22 BANDE DE SERRAGE CONVOYEUR 14-24 ABRAZADERA CINTA 12-22 | |
| 4 | 143010 | TUBO PRESS.TP 12X19.5 PIPE, PRESSURE SWITCH TP 12X19.5 ROHR, DRUCKSCHALTER TP 12X19.5 TUYAU PRESS.TP 12X19.5 TUBO PRES. TP 12X19. 5 | |
| 5 | 143173 | GIUNZIONE RISC.PLAST - SOS DA 143268 JOINT, RINSE PLAST.35/40/50 VERBIND., NACHSPÜLEN KUNST.35/40/50 JOINT RINC.PLAST.35/40/50 UNION ENJUAGUE PLAST. 35/40/50 | |
| 7 | 927322 | FASCETTA NASTRO 14-24 CLAMP, TAPE 14-24 SCHLAUCHSCHELLE 12-22 BANDE DE SERRAGE CONVOYEUR 14-24 ABRAZADERA CINTA 12-22 | |
| 8 | 115143 | CONDOTTO CENTRALE INF.LA50 TAPPO DOS. UPPER CENTRAL PIPE LA50 ZENTRALLEITUNG OBEN LA50 CONDUIT CENTRAL INFERIEUR LA50 CONDUCTO CENTRAL INF.LA50 TAPON DOSIF. | |
| 9 | 104060 | BOILER BOILER BOILER SURCHAUFFEUR LA50 CALENTADOR LA50 | |
| 10 | 423010 | FASCETTA D8X12X7,5 TIPO TORRO ACC.W2 CLAMP, D8X12X7,5 TYPE TORRO ACC.W2 SCHELLE, D8X12X7,5 TYP TORRO ACC.W2 BANDE DE SERR. D8X12X7,5 TYPE TORRO ACC.W2 ABRAZADERA D8X12X7,5 TIPO TORRO ENC. W2 | |
| 11 | 927322 | FASCETTA NASTRO 14-24 CLAMP, TAPE 14-24 SCHLAUCHSCHELLE 12-22 BANDE DE SERRAGE CONVOYEUR 14-24 ABRAZADERA CINTA 12-22 | |
| 12 | 926189 | TERMOSTATO BOILER SIC.95ø THERMOSTAT, BOILER, SAF.95ø SICHERHEITSTHERMOSTAT BOILER 95° THERMOSTAT CHAUDIERE SEC. 95ø TERMOSTATO CALENTADOR SEG. 95ø | |
| 13 | 456002 | OR 48x6,2 O-ring 48x6,2 O-Ring 48x6,2 OR 48x6,2 OR 48x6,2 | |
| 14 | 230117 | RESISTENZA BOILER 7600W/400V HEATING ELEMENT 7600W/400V HEIZUNG 7600W/400V RESISTANCE 7600W/400V RESISTENCIA CALENTADOR 7600W/400V(LA50) | |
| 15 | 69870 | PROTEZIONE RESISTENZA BOILER BOILER HEATING ELEMENT PROTECTION HEIZUNGSSCHUETZ DES WARMWASSERBEREITERS PROTECTION RESISTANCE BOILER PROTECCION RESISTENCIA CALENTADOR | |
| 16 | 143005 | TUBO PRESS.TP 5x11 (CASER/15/NL C4N) PIPE, PRESSURE SWITCH TP 5x11 (CASER/15/NL C4N) SCHLAUCH TP 5X11 (CASER/15/NL C4N) TUYAU PRESS.TP 5x11 (CASER/15/NL C4N) TUBO PRES. TP 5x11 (CASER/15/NL C4N) | |

| | | | |
|----|----------|--|--|
| 17 | 423010 | FASCETTA D8X12X7,5 TIPO TORRO ACC.W2 CLAMP, D8X12X7,5 TYPE TORRO ACC.W2 SCHELLE, D8X12X7,5 TYP TORRO ACC.W2 BANDE DE SERR. D8X12X7,5 TYPE TORRO ACC.W2 ABRAZADERA D8X12X7,5 TIPO TORRO ACC.W2 | |
| 18 | H.775601 | TUBO 4x6 CRISTAL BLUE PVC PIPE 4x6 CRISTAL BLUE PVC ROHR 4x6 CRISTAL BLAU PVC TUYAU 4x6 CRISTAL BLEU PVC TUBO 4x6 CRISTAL AZUL PVC | |
| 19 | 209025 | DOSATORE BRILLANTANTE RINSE AID DISPENSING PUMP DOSIERPUMPE KLARSPUELER POMPE DOSEUR PR.RINÇAGE BOMBA DOSIFICADOR ABRILL.(BP)DIEB0805E | |
| 21 | 144010 | DISPOSIT.A/R.(EB) VEDI 144010NT CHECK VALVE (EB) W/DRAIN SEE 144010NT RÜCKSCHLAGVORR.(EB) DISPOSIT.A/R.(EB) AVEC RACCORD DE VIDANGE DISPOSIT. A/R. (EB) CON EMPALME ALIVIAD. | |
| 22 | 240016 | VALVOLA DI CARICO 1VIA 3/4 230V PARZ.16L LOADING S.VALVE 1-WAY 3/4 230V PART.16L ZUFLUSSVENTIL 1-WEG 3/4 230V DROSS.16L SOUPAPE DE CHARG. 1VOIE 3/4 230V PARZ.16L VALVULA DE CARGA 1VIA 3/4 230V PARC. 16L | |
| 23 | 437041 | GUARNIZIONE 3/4 GAS CARICO GASKET 3/4 GAS LOAD DICHTUNG 3/4 GASVERSORG. JOINT 3/4 GAZ VID. JUNTA 3/4 GAS CARGA | |
| 24 | 929169 | TUBO DI CARICO DEL TERMOPLASTICO PIPE, THERMOPLASTIC DELIVERY ZULAUFSCHLAUCH, WASSER THERMOPLAST TUYAU DE CHARG. DU THERMOPLASTIQUE TUBO DE CARGA DEL TERMOPLASTICO | |

vsezip.ru

+7(812)987-08-81



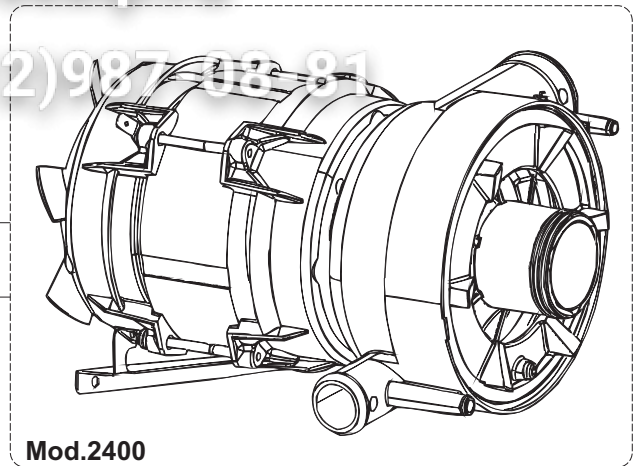
Listino componenti per pagina 6

| | | | |
|----|--------|---|--|
| 1 | 303037 | ANELLO DI TENUTA LAVAGGIO X5 RING RING BAGUE ANILLO DE ESTANQ. LAVADO X5 | |
| 2 | 79023 | PERNO SUPERIORE LAVAGGIO/RISCIACQUO C600-PS60 UPPER PIN C600-PS60 OBERZAPFEN C600-PS60 PIVOT SUPERIEUR C600-PS60 PERNO SUP.LAV/ENJUAGUE C600-PS60 | |
| 3 | 79040 | LANCIA INTEGRATA LAV/RISC. C600-PS60 INTERGRATED WASH/RINSE ARM LANZA INTEGRADA LAVADO/ENJUAGUE. C600-PS60 | |
| 4 | 106007 | BRACCIO RISCIACQUO DX S651-850 RINSE ARM, RH S651-850 NACHSPÜLARM, RECHTS S651-850 BRAS RINCAGE, DROITE S651-850 BRAZO ENJUAGUE DCHA S651-850 | |
| 6 | 106005 | BRACCIO RISCIACQUO SX S651-850 RINSE ARM, LH S651-850 NACHSPÜLARM, LINKS S651-850 BRAS RINCAGE, GAUCHE S651-850 BRAZO ENJUAGUE IZDA S651-850 | |
| 8 | 79021 | CORPO LANCIA LAVAGGIO/RISCIACQUO BODY FOR ROTATING WASH/RINSE ARM KOERPER FUER DREH-WASCH/NACHSPUELUNGSARM CORPS TOURNIQUET DE LAVAGE-RINCAGE CUERPO LAN ROTOR LAV/ENJUAGUE C600-PS60 | |
| 9 | 140007 | SPRUZZO RISCIACQUO S621-3-31- SPRAY S621-3-31- SPRITZ S621-3-31- JET RINCAGE S621-3-31- ROCIADOR ENJUAGUE S621-3-31- | |
| 10 | 429006 | GHIERA RISCIACQUO S621-3-31-3 RING NUT, RINSE S621-3-31-3 GEWINDERING, NACHSPÜLEN S621-3-31-3 BAGUE RINCAGE S621-3-31-3 VIROLA ENJUAGUE S621-3-31-3 | |
| 11 | 140020 | SPRUZZO LAVAGG. GRIGIO 11/353/403 SPRAY, GREY 11/353/403 SPRITZ, GRAU 11/353/403 JET LAVAGE GRIS 11/353/403 ROCIADOR LAVADO GRIS 11/353/403 | |
| 12 | 429007 | GHIERA LAVAGGIO S621-3-31-3 RING NUT, WASHING S621-3-31-3 GEWINDERING, SPÜLEN S621-3-31-3 BAGUE LAVAGE S621-3-31-3 VIROLA LAVADO S621-3-31-3 | |
| 13 | 437100 | GUARNIZIONE D20D10S0.5 PTFE G400 PACKING DICHTUNG JOINT JUNTA D20D10S0.5 PTFE G400 | |
| 14 | 454002 | NOTTOLINO 21/31 PAWL 21/31 KLINKE 21/31 CLIQUET 21/31 TRINQUETE 21/31 | |
| 15 | 447128 | MANOPOLA FISSA LAVAGGIO GRIGIA KNOB, FIX, WASH. GREY DREHKNOPF, FEST SPÜL. GRAU POIGNEE FIXE LAVAGE GRISE MANIJA FIJA LAVADO GRIS | |
| 16 | 69285 | PERNO IN ACCIAIO INOSSIDABILE PIVOT ZAPFEN PIVOT PERNO LAVADO/ENJUAGUE | |

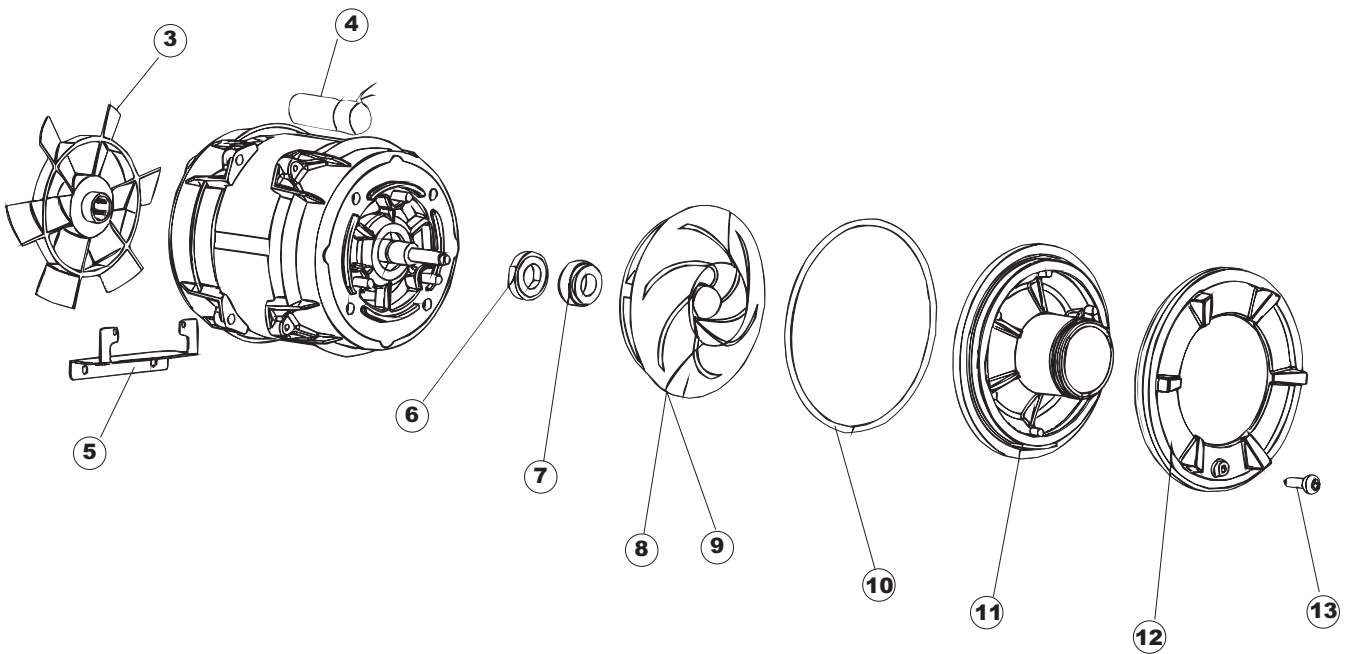
vsezip.ru

+7(812)987-08-81

- 1
- 2



Mod.2400



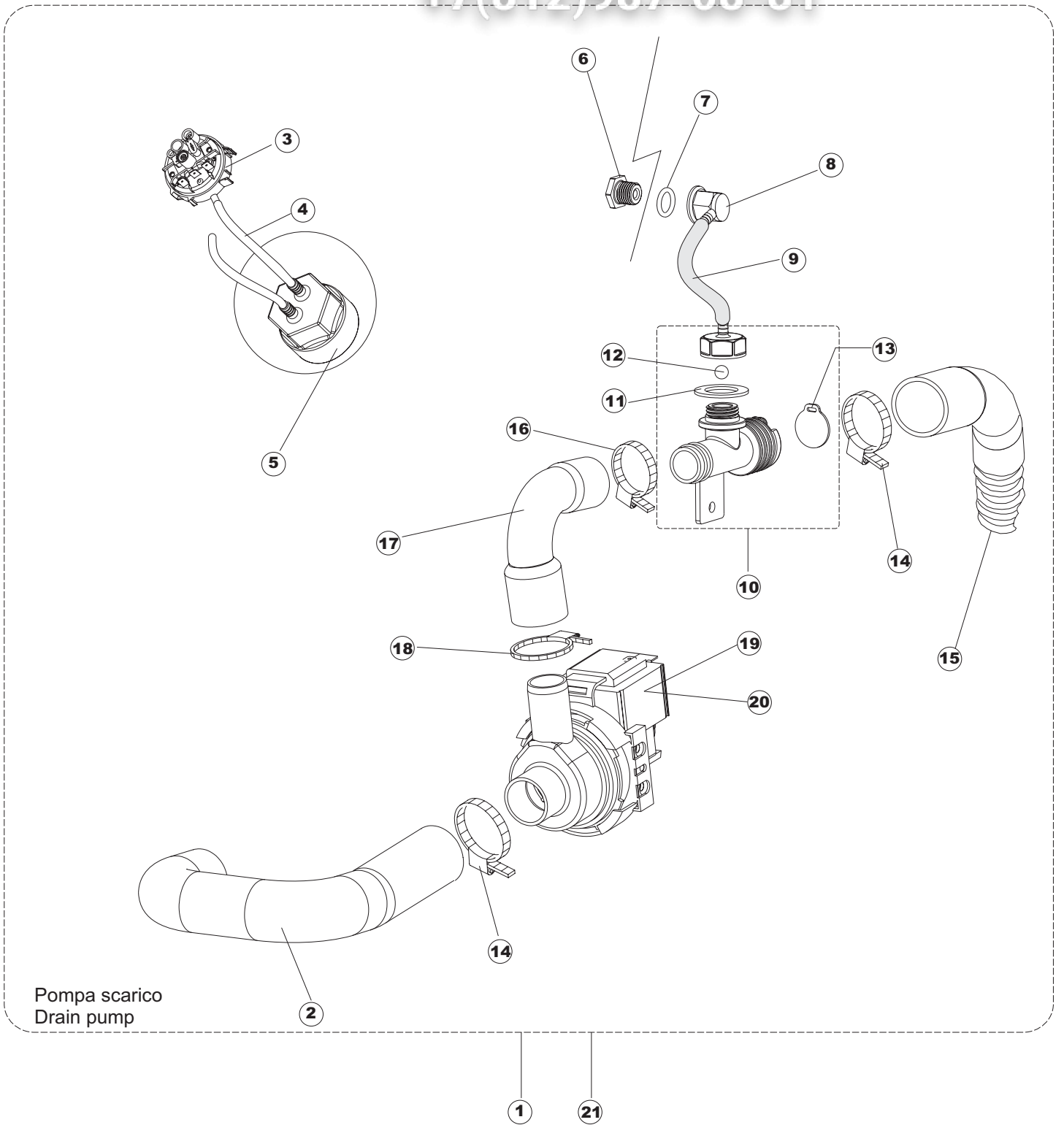
Listino componenti per pagina 7

Зип Общепит

vsezip.ru

7(812)987-08-81

| | | | |
|----|---------|---|--|
| 2 | 69120HZ | ELETTROPOMPA MONOFASE 500W 60HZ ELECTROPUMP ELEKTROPUMPE ELECTROPOMPE ELECTROBOMBA 500W 60HZ | |
| 3 | 335015 | VENTOLA POMPA 2400 FAN LUFERRAD VENTILATEUR ROTOR BOMBA 2400 | |
| 4 | 206002 | CONDENSATORE DA 10 mF CONDENSER - 10 mF KONDENSATOR - 10 mF CONDENSATEUR DE 10 mF CONDENSADOR DE 10 mF | |
| 5 | 69400 | STAFFA POMPA LA50 PUMP SUPPORT PUMPENTRÄGER SUPPORT DE LA POMPE SOPORTE BOMBA LA50 PG ACABADO | |
| 6 | 141008 | TENUTA MECCANICA PER POMPA DI LAVAGGIO PER LAVABICI WASH PUMP SHAFT SEAL FOR GLASSWASHER MECHANISCHE DICHTUNG FUER WASCHPUMPE DER GLAESE ETANCHEITE' DE LA POMPE DE LAVAGE POUR LAVE-VERRES SELLO MEC.FISJO BOMBA | |
| 7 | 141009 | TENUTA MECCANICA PER POMPA DI LAVAGGIO PER LAVABICI WASH PUMP SHAFT SEAL FOR GLASSWASHER MECHANISCHE DICHTUNG FUER WASCHPUMPE DER GLAESE ETANCHEITE' DE LA POMPE DE LAVAGE POUR LAVE-VERRES SELLO MEC.GIRAT. BOMBA(0142R) | |
| 8 | 124057 | GIRANTE+INSERTO POMPA(2398R) IMPELLER PUMPENFLUEGEL TURBINE ROTOR+ELEMENTO BOMBA | |
| 9 | 124060 | GIRANTE+INSERTO POMPA(2398R)60HZ IMPELLER PUMPENFLUEGEL TURBINE ROTOR+ELEM. BOMBA(2398R)60HZ | |
| 10 | 456078 | OR.POMPA(2402R)3.53X170.5 OR.PUMP (2402R)3.53X170.5 TORISCHE DICHTUNG JOINT TORIQUE OR.BOMBA 3.53X170.5 | |
| 11 | 480148 | TAPPO CHIOCCIOLA POMPA(2399R) PUMP CAP DECKEL PUMPE BOUCHON POMPE TAPON ESPIRAL BOMBA | |
| 12 | 429074 | GHIERA FILETTATA POMPA(2434R) NUT RING DOUILLE VIROLA ROSCADA BOMBA | |
| 13 | 486242 | VITE 3.5X13 TBC UNI6954(0062R) SCREW 3.5X13 SCHRAUBE 3.5X13 VIS 3.5X13 TORNILLO 3.5X13 TBC UNI6954 | |



Listino componenti per pagina 8

| | | | |
|----|--------|---|--|
| 1 | 69701 | KIT POMPA SCARICO (50HZ) DRAIN PUMP KIT KIT FUR ABLAUFpumpe KIT POMPE DE VIDANGE KIT BOMBA DESCARGA (50HZ) | |
| 2 | 127087 | MANICOTTO GOMMA POMPA SC.LA50 RUBBER COUPLING DRAIN PUMP MUFFE DURITE MANGUITO GOMA BOMBA DESC.LA50 | |
| 3 | 224023 | PRESSOSTATO-165/140 MAIN PRESSURE SWITCH 165/140 ARBEITSDRUCKWAECHTER 165/140 PRESSOSTAT DE TRAVAIL 165/140 PRESOSTATO-165/140 | |
| 4 | 143131 | TUBO GOMMA PIPE SCHLAUCH FUER DRUCKSCHALTER TUYAU VER CODIGO 143005 | |
| 5 | 107014 | CAMPANA PRESSOSTATO LA50 PRESSURE SWITCH AIR BELL LA50 LUFT-GLOCKE DES DRUCKWAECHTERS LA50 CLOCHE AIR PRESSOSTAT LA50 CAMPANA PRESOSTATO LA50 | |
| 6 | 429076 | GHIERA VALVOLA SFIATO PS LA50 VENT VALVE RING ENTLÜFTUNGSVENTIL RING ANNEAU DE LA VALVE ÉVENT VIROLA VALVULA ALIVIAD. PS LA50 | |
| 7 | 456020 | OR 3050 R495 O-ring 3050 R495 O-Ring 3050 R495 OR 3050 R495 OR 3050 R495 | |
| 8 | 468029 | RACCORDO CAMPANA PRESSOSTATO UNION, PRESSURE SWITCH BELL VERBINDUNGSSTK. TANKEINLAUF RACCORD BOITE PRESSOSTAT EMPALME CAMPANA PRESOSTATO | |
| 9 | 143013 | TUBO PVC VERDE 4X7 PIPE, PVC GREEN 4X7 SCHLAUCH PVC GRUEN 4X7 TUYAU PVC VERT 4X7 TUBO PVC VERDE 4X7 | |
| 10 | 144995 | GRUPPO VALVOLA DI SFIATO X PS LA50 DRAIN PUMP VENT VALVE LA50 LUFTLOCH-VENTIL DER ABFLUSSpumpe LA50 SOUPAPE DE SOUPIRAL POMPE DE VIDANGE LA50 GR.VALVULA ALIVIAD. X PS LA50 | |
| 11 | 437083 | GUARNIZIONE GOMMA D32D19.5S1.5 GASKET, RUBBER D32D19.5S1.5 DICHTUNG, GUMMI D32D19.5S1.5 JOINT CAOUTCHOUC D32D19.5S1.5 JUNTA GOMA D32D19. 5S1. 5 | |
| 12 | 476008 | SFEROA VALVOLA LA50. HOST BALL VALVE KUGELHAHN VANNE À BILLE ESFERA VALVULA.LA50.HOST.D=5/16" | |
| 13 | 499092 | MEMBRANA VALVOLA SFIATO PS LA50 MEMBRANE BLENDE MEMBRANE VIDANGE LA50 MEMBRANA VALVULA ALIVIAD. PS LA50 | |
| 14 | CFS1 | FASCETTA A VITE TORRO 35-50/9 CLAMP, HOSE-TYPE TORRO 35-50/9 SCHLAUCHSCHELLE TORRO 35-50/9 BANDE DE SERRAGE A VIS TORRO 35-50/9 ABRAZADERA CON TORNILLO TORRO 35-50/9 | |
| 15 | 143252 | TUBO SCARICO LA50 DRAIN HOSE ABLAUFLEITUNG TUYAU VIDANGE TUBO DESCARGA LA50 | |

| | | | |
|----|---------|---|--|
| 16 | 423008 | FASCETTA D20X32X9 TIPO TORRO ACC.W1 CLAMP, D20X32X9 TYPE TORRO ACC.W1 SCHLAUCHSCHELLE D20X32X9 TYP TORRO ACC.W1 BANDE DE SERR. D20X32X9 TYPE TORRO ACC.W1 ABRAZADERA D20X32X9 TIPO TORRO ACC.W1 | |
| 17 | 69071 | GOMITO MANDATA POMPA SCARICO INTAKE COUPLING SAUGMUFFE MANCHON D'ASPIRATION CODO IMPULSION BOMBA DESCARGA | |
| 18 | CFS18 | FASCETTA A VITE TORRO 20-32/9 CLAMP, HOSE-TYPE TORRO 20-32/9 SCHLAUCHSCHELLE 20-32/9 BANDE DE SERRAGE A VIS TORRO 20-32/9 ABRAZADERA CON TORNILLO TORRO 20-32/9 | |
| 19 | 80117 | POMPA SCARICO RIVER DRAIN PUMP RIVER ABLASSPUMPE RIVER POMPE VIDANGE RIVER BOMBA DESCARGA RIVER | |
| 20 | 80117HZ | POMPA SCARICO 240V/60HZ (DPS35-015) DRAIN PUMP 240V/60HZ (DPS35-015) ABLASSPUMPE 240V/60HZ (DPS35-015) POMPE VIDANGE 240V/60HZ (DPS35-015) BOMBA DESCARGA 240V/60HZ VER 80117 UL | |
| 21 | 69701HZ | KIT POMPA SCARICO (60HZ) DRAIN PUMP KIT KIT FUR ABLAUFpumpe KIT POMPE DE VIDANGE KIT BOMBA DESCARGA (60HZ) | |