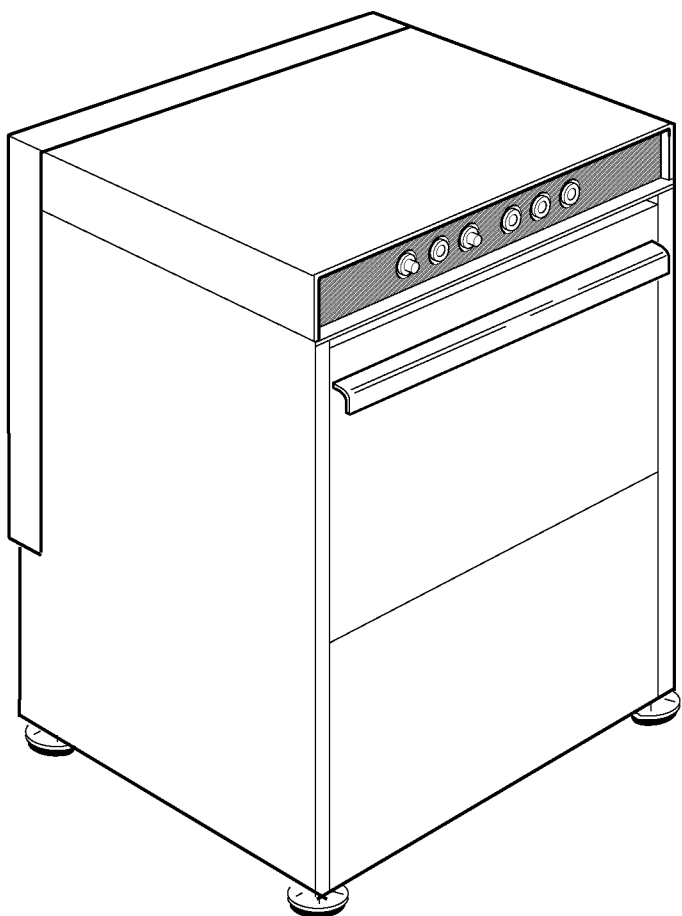


CATALOGO RICAMBI
SPARE PARTS
PIECES DETACHEES
ERSATZTEILE
LISTA DE RECAMBIOS

Зип Обществ

vsezip.ru

+7(812)987-08-81

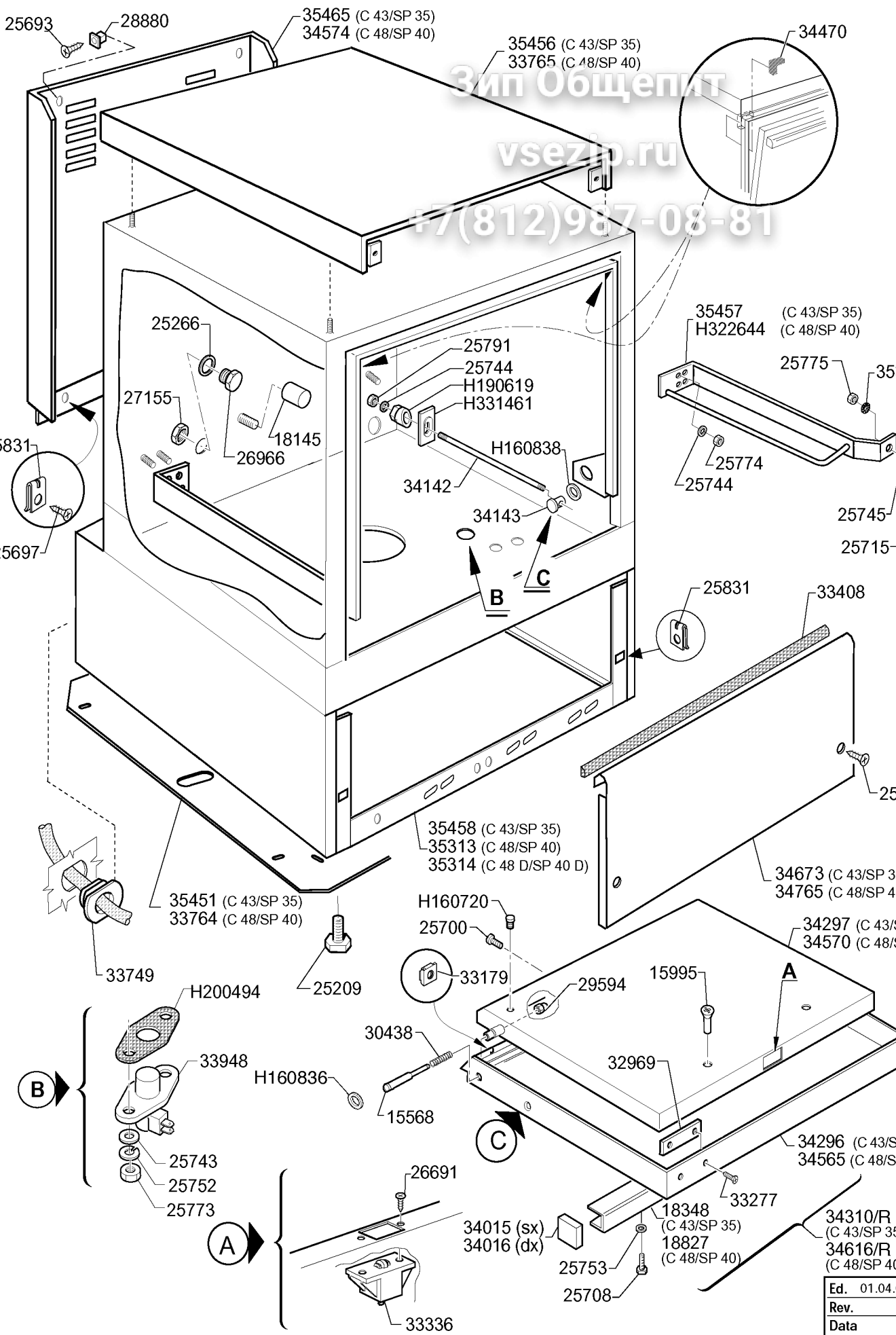


Lavastoviglie
Lavevaisselle
Geschirrspüler
Dishwashers
Lavavajillas

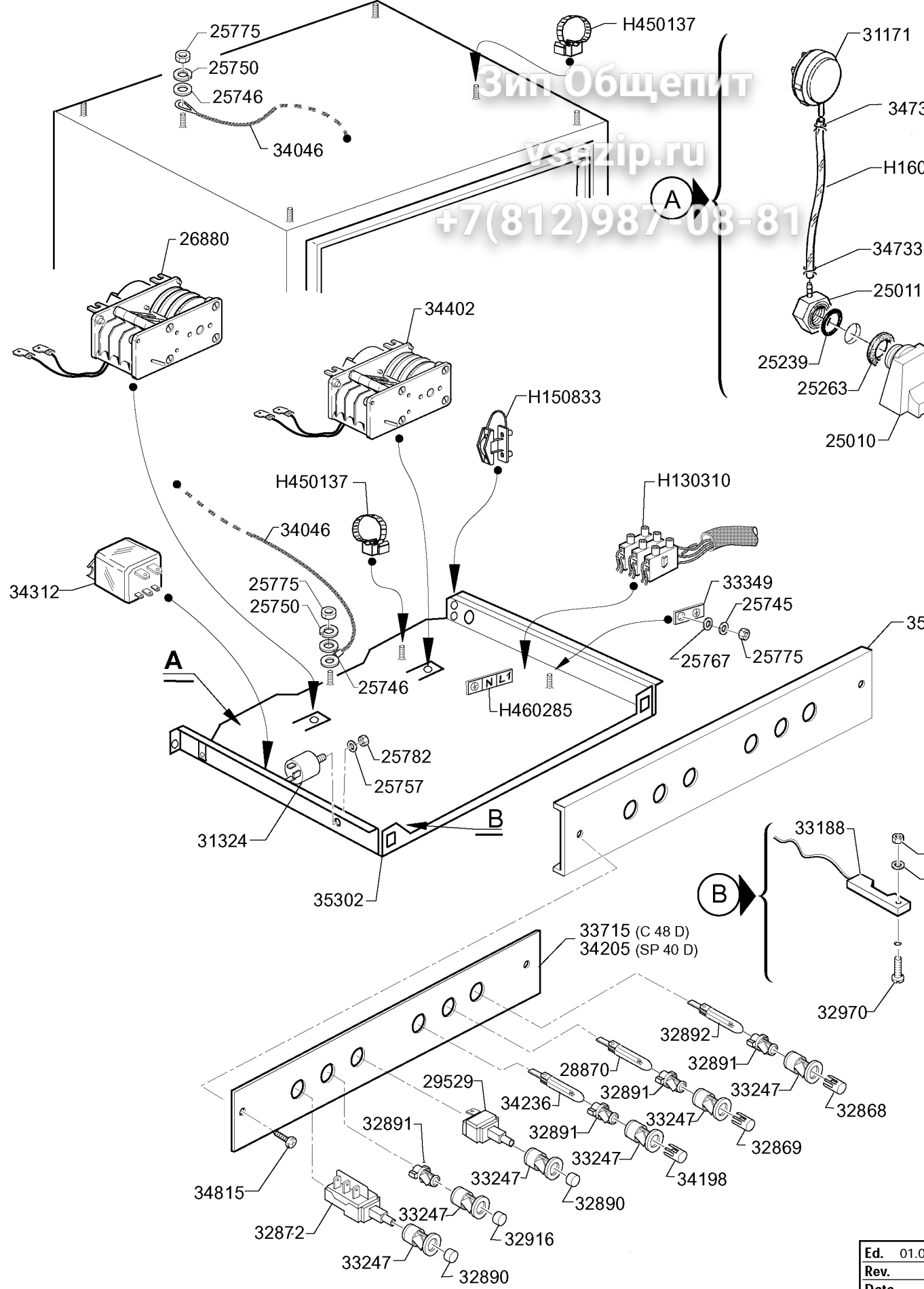
C/SP 2°

C/SP D 2°

Ed. 04/2001

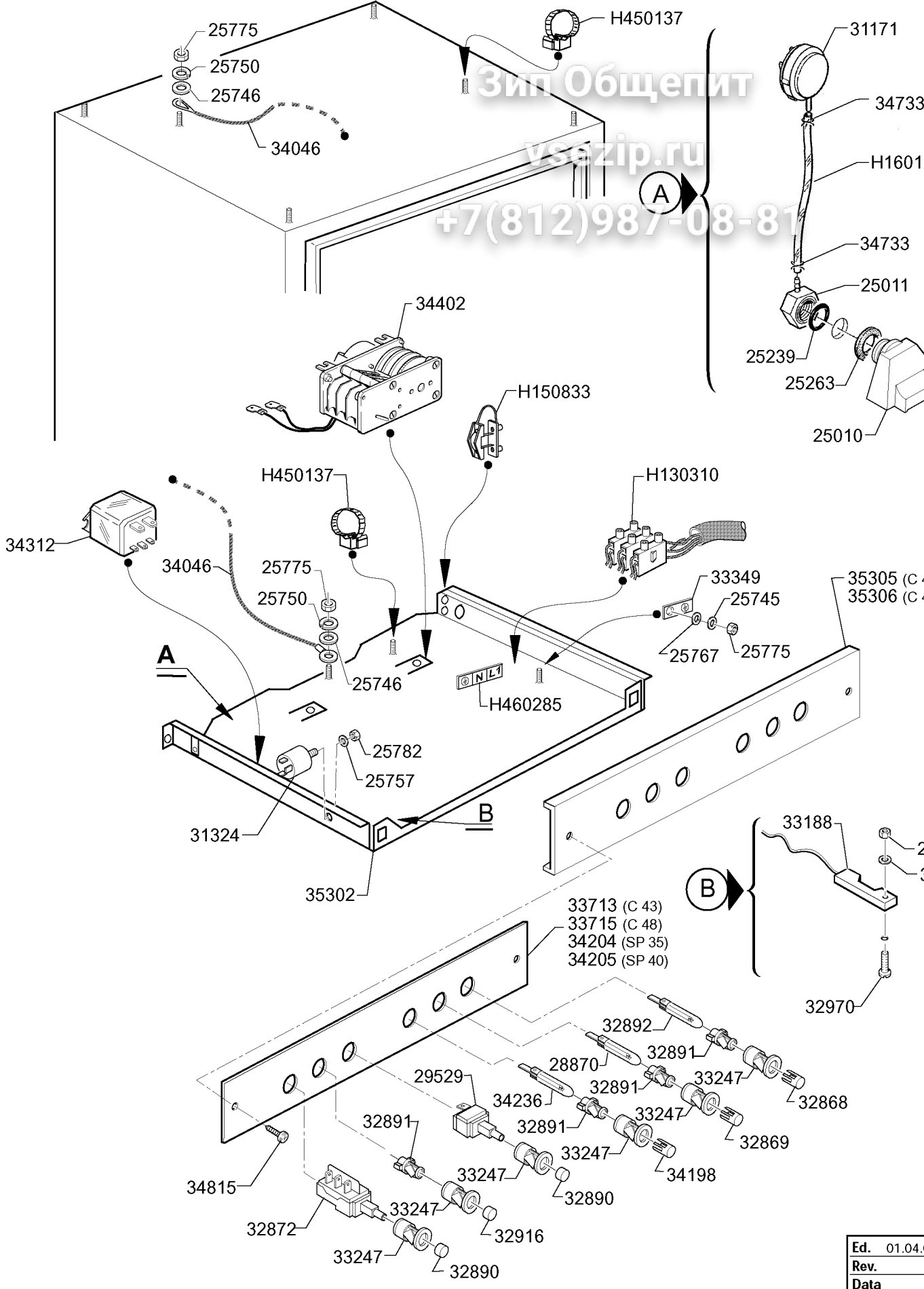


Ed.	01.04.
Rev.	
Data	



Вип Общепит
 vsezip.ru
 +7(812)987-08-81

Ed.	01.0
Rev.	
Data	

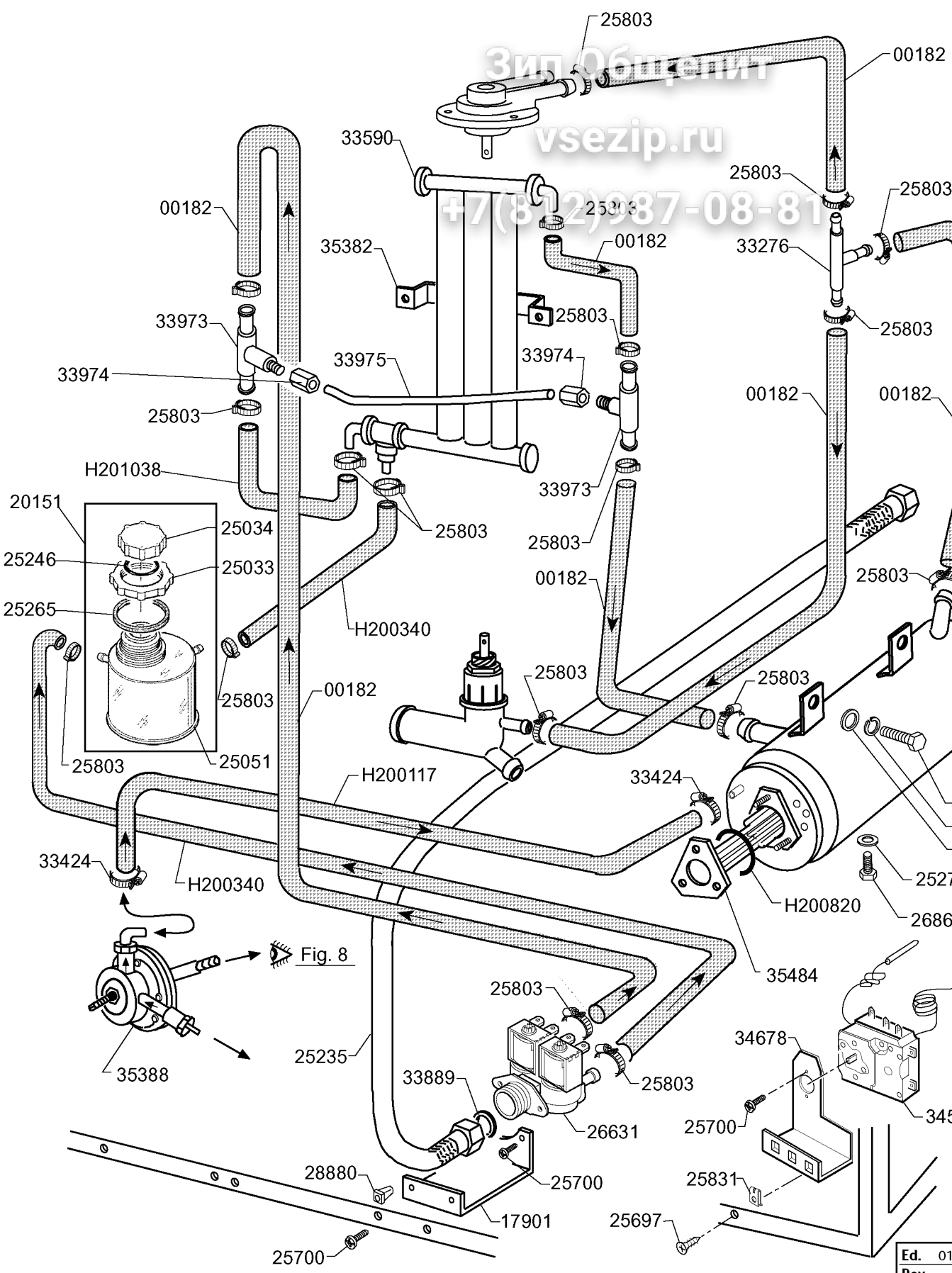


Зип Общепит
 vsazip.ru
 +7(812)987-08-81

Ed.	01.04.
Rev.	
Data	

Зип Общелин
vsezip.ru

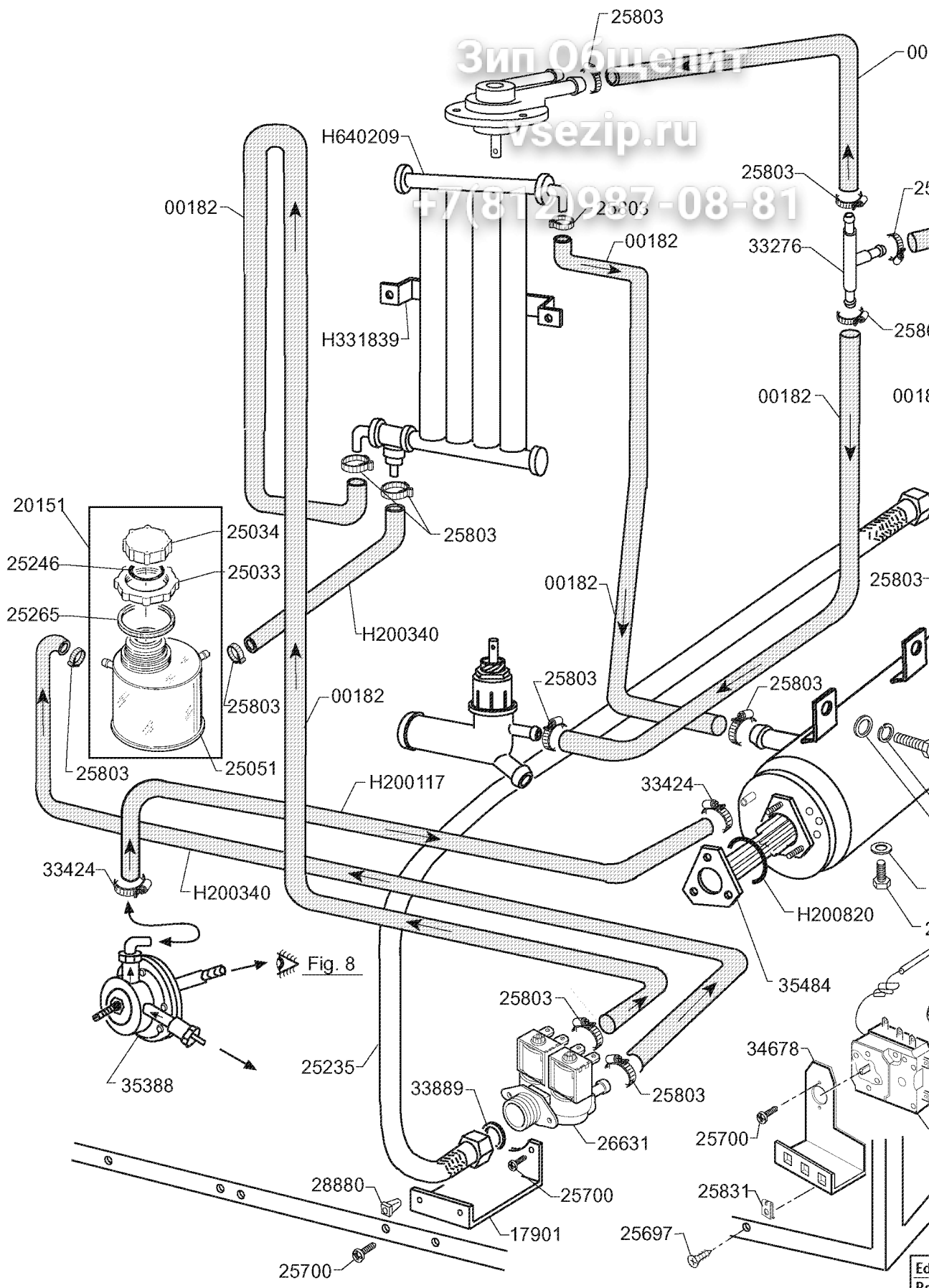
+7(812)987-08-81



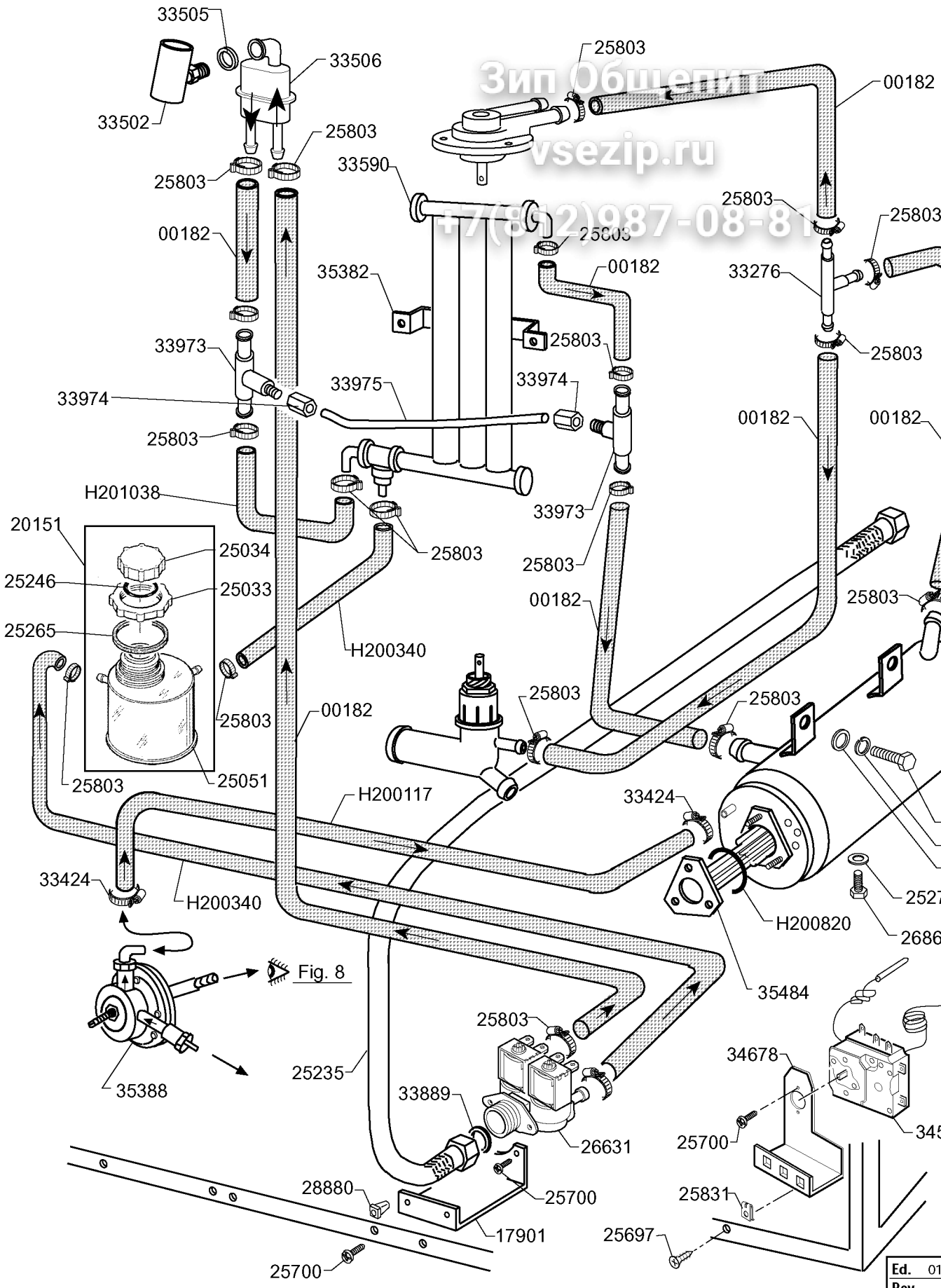
Ed.	01
Rev.	
Data	

Зип Общепит
vsezip.ru

+7(812)987-08-81



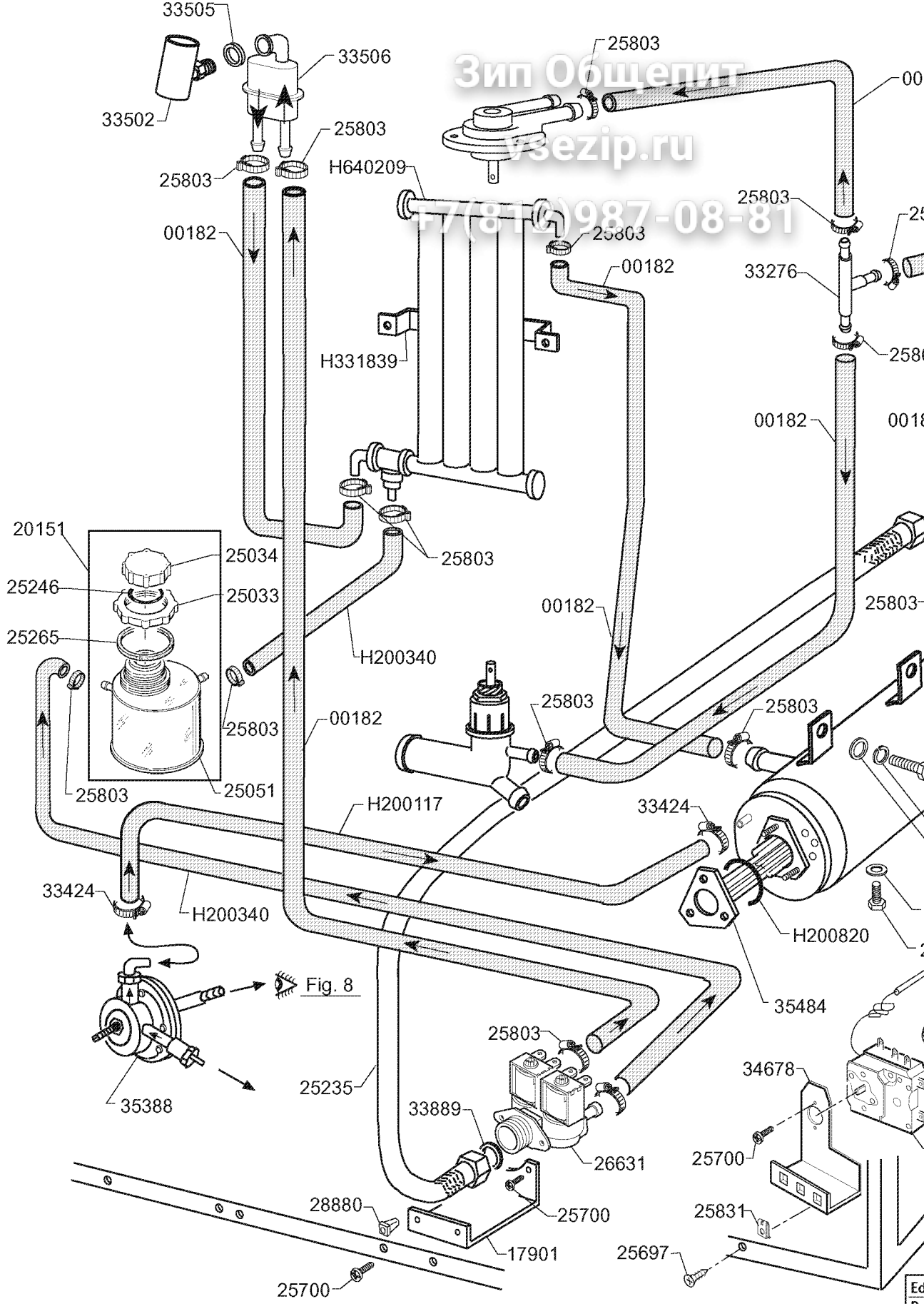
Зип Общепит
vsezip.ru
+7(812)987-08-81



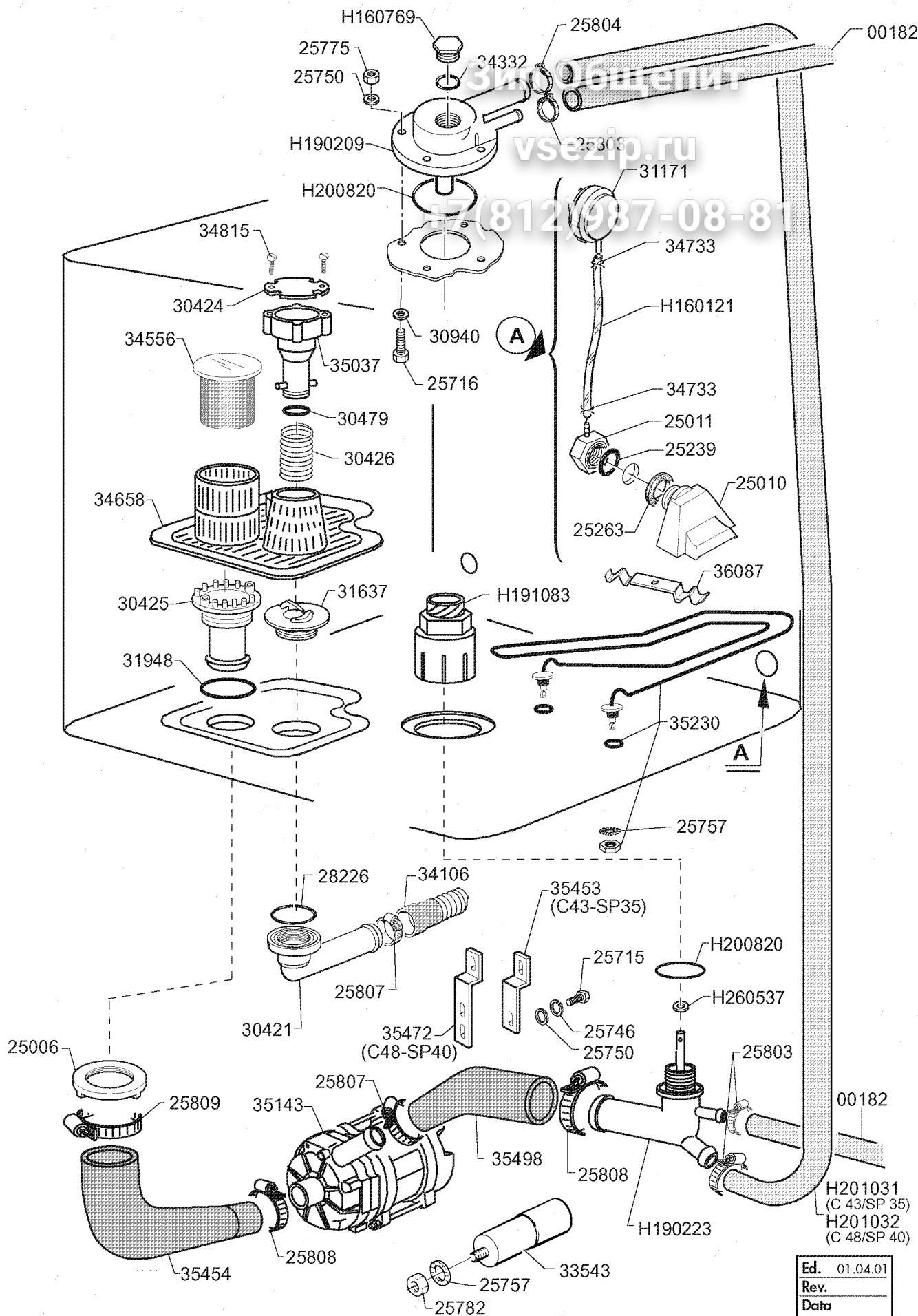
Ed.	01
Rev.	
Data	

Зип Общепит
vsezip.ru

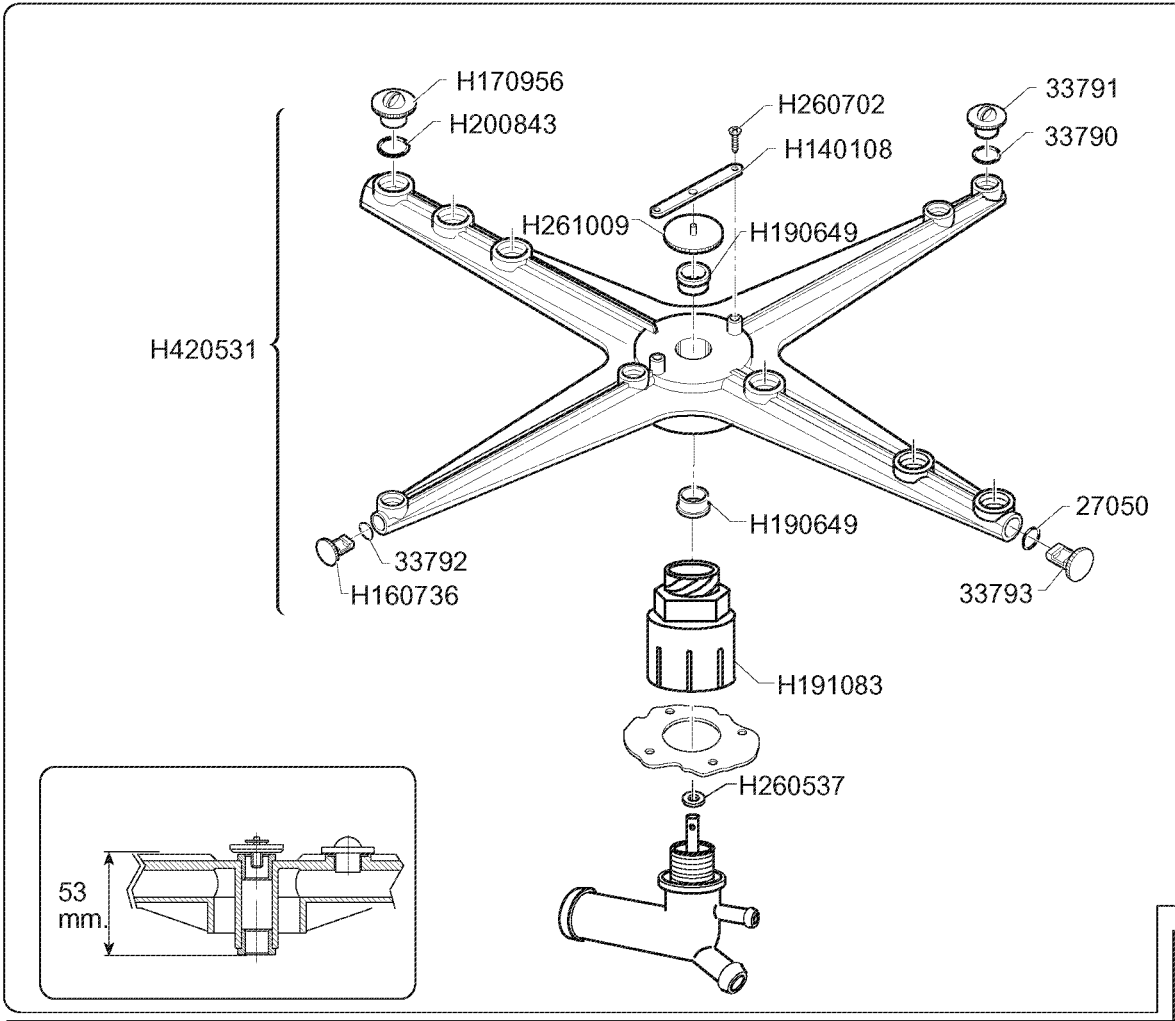
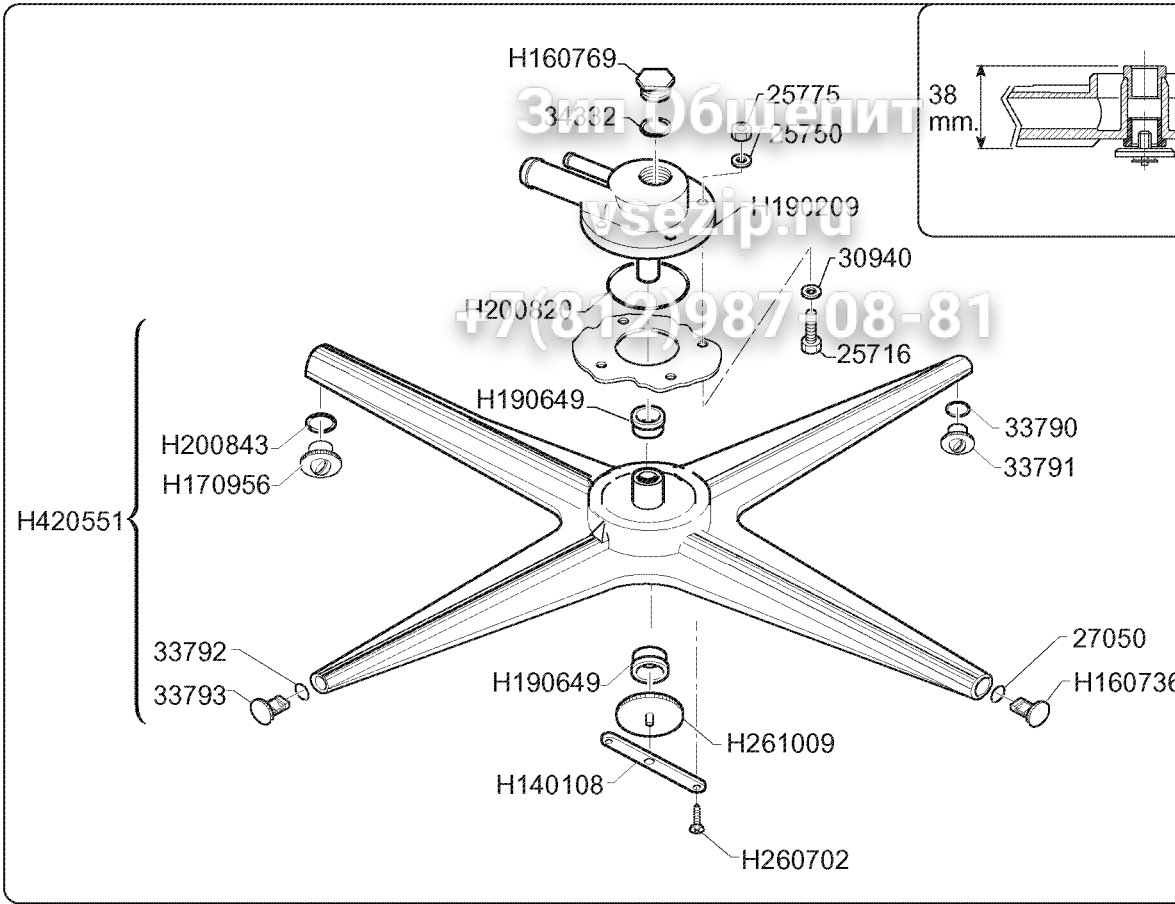
+7(810)987-08-81



Ed
Re
Da



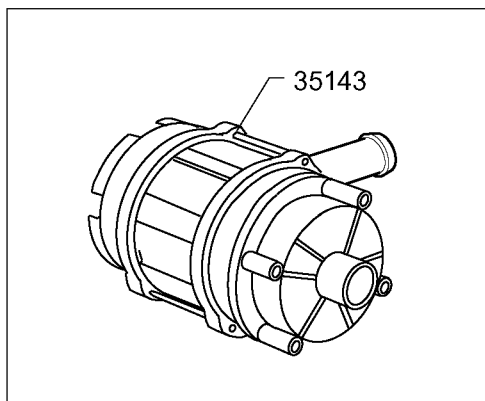
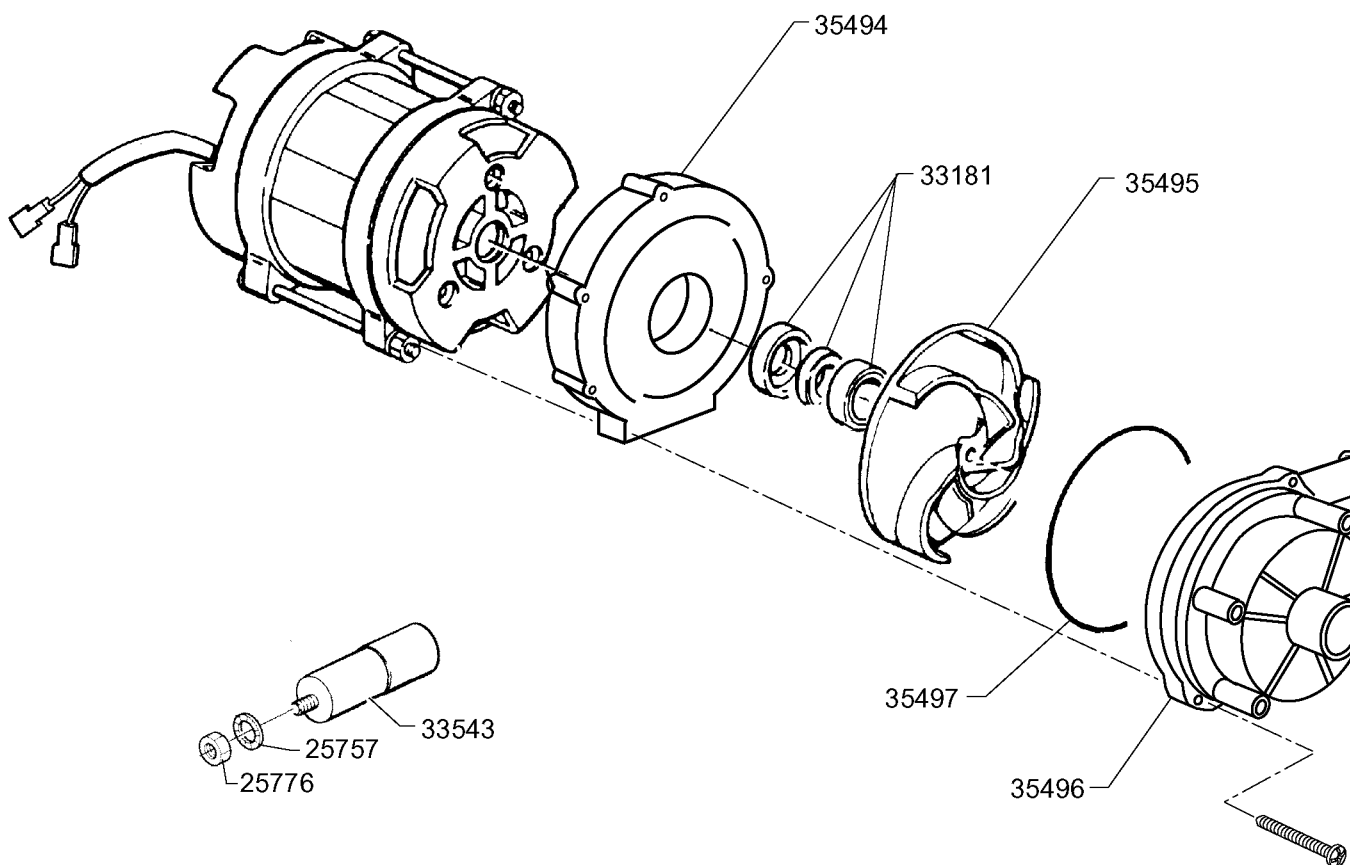
Ed.	01.04.01
Rev.	
Data	



Зип Общепит

vsezip.ru

+7(812)987-08-81

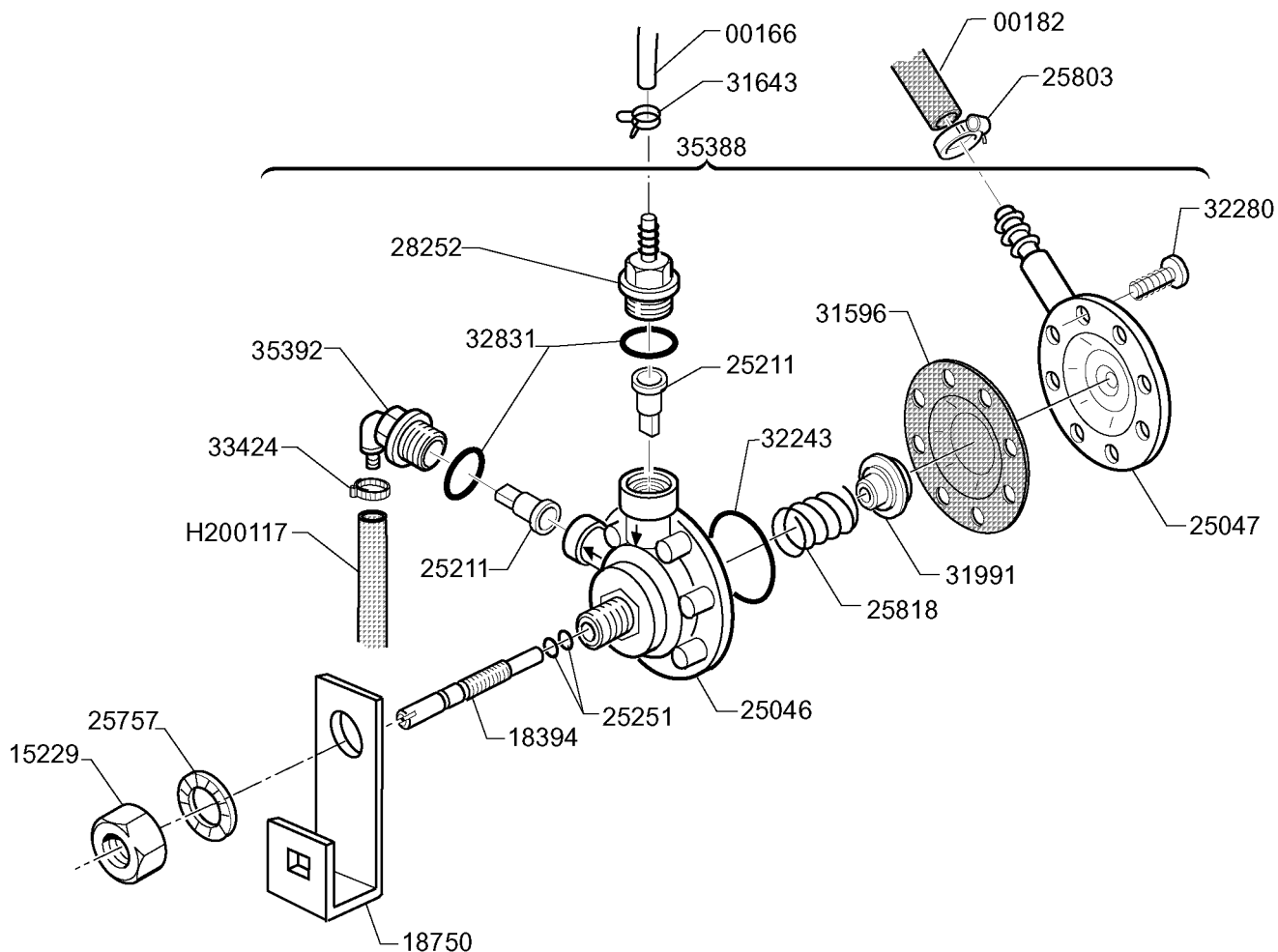


Ed.	01
Rev.	
Data	

Зип Общепит

vsezip.ru

+7(812)987-08-81



Ed.	01.04
Rev.	
Data	

Seite	Pos	Kredtor Artikel Nr.	IT	GB
002		34016	TAPPO ESTREMITA'MANIGLIA DX	PLUG END HANDLE, RIGHT
002		34616	PORTEL.TAMB. C48DL L452xH375	DOOR ASSEMBLY CPL C48 DL L452xH375
002		34574	PANNELLO POSTERIORE C 48/98	REAR PANEL C 48/98
002		34570	PANNELLO CONTRO.APS/STS/C48/98	INNER DOOR PANEL APS/STS /C 48/98
002		34565	INVOLUCRO PORTA APS-ST5-C48/98	DOOR CASING, APS-ST5-C48/98
002		34470	ANGOLARE GOMMA LABIRINTO VASCA	RUBBER PROTECT.CORNER, TANK LABYR.
002		34015	TAPPO ESTREMITA'MANIGLIA SX	PLUG END HANDLE, LEFT
002		33948	TERMOSTATO BIMETALLICO DOPPIO	BIMET. THERMOSTAT. DOUBLE CONTACT
002		33765	PANNELLO SUPERIORE C 48	UPPER PANEL C 48
002		33764	PROTEZIONE PARTI ELETTR. C 48	PROTECTION, ELECTR.PANEL C48
002		34143	PERNO PER TIRANTE PORTELLO	PIN FOR ROD DOOR
002		H160720	TAPPO A SCATTO HEYCO D.8	SNAP PLUG HEYCO D.8
002		27155	DADO IN PLASTICA 10 M	PLASTIC NUT10 M
002		33749	FISSACAVO PA 277	CABLE CLAMP PA 277
002		H331461	PIASTRINA PER TIRAN. G65/BC	TIE ROD PLATE FOR G65/BC
002		H322644	GUIDA PORTACESTELLI PER BHC Ç	GUIDE FOR BASKETS, BHC
002		H200494	GUARNIZ.TERMOST.BIM.DOPPIO	GASKET FOR DOUBLE-THERMOSTAT
002		H190619	FERMO TIRANTE PORTA +LF/FC+	DOOR CATCH +LF/FC+
002		35313	VASCA-BAS. C48 DL - FORO TERM.	TANK-BASE C48 DL - THERM.HOLE
002		H160836	ANELLO X PERNO SP08(COD 34143)	RING X PIN SP08(COD 34143)
002		34765	FRONTALINO VASCA H C-CR 48	TANK FRONT PANEL H C-CR 48
002		35314	VASCA-BAS. C 48D DL-FORO TERM.	TANK-BASE C48 D DL - THERM.HOLE
002		35304	RONDELLA DENTELLATA DIAM.6	TOOTHED WASHER DIA.6
002		H160838	ANELLO PER PERNO PORTA	RING X DOOR PIN
002		33408	GOMMA SPUGNA ADES. 8X4 NEOPREN	NEOPREN ADHESIVE GASKET 8 X 4
002		25744	RONDELLA PIANA DIAM.5	SPACER, FLAT, DIAM.5
002		25743	RONDELLA PIANA DIAM. 4	SPACER, FLAT, DIAM. 4
002		25715	VITE TE M 6 X 16 INOX	SCREW HEX.HD M 6 X 16 SS
002		25708	VITE TE M 5 X 10 INOX	SCREW HEX.HD M 5 X 10 SS
002		25700	VITE TC 4 X 8 CON ZIGRINATURA	SCREW CHEESE-H. 4 X 8 KNURLED
002		25697	VITE AUTOF.T/TCROCE 3,9X13 ZIG	SELF-TAPPING SCREW CHEESE D747H.ROSS 3,
002		25745	RONDELLA PIANA DIAM.6	SPACER, FLAT, DIAM.6
002		25693	VITE AUTOFIL. TS 4,2X13 INOX	SELF-TAPPING SCREW BEVEL H. 4,2X13 SS
002		25266	GUARNIZIONE PIATTA 18 X 10 X 2	FLAT GASKET 18 X 10 X 2
002		25209	PIEDINI BASE ESAGONALE	FEET, HEXAG. BASE
002		29594	DADO CIECO 4 MA	NUT BLIND 4 MA
002		18145	FERMA CESTELLO MM.25	RACK STOPPER MM.25
002		15995	BUSSOLA FISS. MANIGLIA STS	BUSH SPRING FIX. HANDLE STS
002		15568	PERNO MOBILE X PORTELLO	MOBILE DOWEL FOR DOOR
002		25694	VITE AUTOFIL. TS 4,2X19 INOX	SELF-TAPPING SCREW BEVEL H. 4,2X19 SS
002		30438	MOLLA X PERNO E PORTA	SPRING FOR PIN AND DOOR
002		18827	MANIGLIA X PORT. STS/APS/C 48	HANDLE FOR DOOR STS/APS/C 48
002		25752	RONDELLA DENTEL.DIAM.4 D.E.	TOOTHED SPACER DIAM.4 D.E.
002		33336	SCROCCHETTO A ROTELLA	ROLLER DOOR LATCH
002		33277	VITE AUTOF. TSP 2,9 X 9,5	SELF-TAPPING SCREW TSP 2,9 X 9,5
002		32969	MAGNETE X CONTATTO M350 AP	MAGNET FOR CONTACT M350 AP
002		28880	MADREVITE	NUT SCREW
002		26966	TAPPO CHIUSURA FORO 10 DET.	HOLE CLOSING PLUG
002		25774	DADO 5 MA	NUTS 5 MA
002		25753	RONDELLA DENTEL.DIAM.5 D.E.	TOOTHED SPACER.DIAM.5 D.E.
002		33179	DADO IN GABBIA 4MA	ENCLOSED NUT 4MA
002		25773	DADO 4 MA INOX 18/8	NUTS 4 MA SS 18/8
002		26691	VITE TS M 4 X 8	SCREW TS M 4 X 8
002		25775	DADO 6 MA	NUT 6 MA
002		25791	DADO AUTOBLOCCANTE 5 MA BASSO	SELF-LOCKING NUT 5 MA LOWER SIDE
002		25831	PIASTRINA X VITI AUTOF.LATI 7P	PLATE FOR SELFTHREAD. SCREW SIDES 7P
003		34236	LAMPADA SIGNAL LUX BLU 230V	PILOT LIGHT, BLUE BULB 230V
003		H160121	TUBO GOMMA NERA "5 X 9"	HOSE, BLACK RUBBER D. 5 X 9
003		33247	SUPPORTO VETRO GRIGIO LUCIDO	SUPPORT LAMP HOLDER, BRIGHT GREY
003		33188	SENSORE MAGNETICO	MAGNETIC SENSOR
003		33715	TARGA COMANDI C 48	NAMEPLATE, CONTROLS C 48
003		34046	CORDA IN NYLON X FERMOCASSETTO	NYLON ROPE, DRAWER LIMIT STOP
003		34198	GEMMA D16 "BLU"	COVER, D16 "BLUE"
003		33349	TARGHETTA INDICAZIONE TERRA	INDICAT.PLATE, EARTHING
003		34312	RELE'T.A25 FA 16A 230V	T.RELAY A25 FA 16A 230V
003		34402	TIMER P26/15 4CR 120"-230V.	TIMER P26/15 4CR 120"-230V.
003		34733	FASCETTA A FILO X TUB.9,8-10,1	WIRE PIPE CLAMP FOR 9,8-10,1 PIPE

Seite	Pos	Kredtor Artikel Nr.	IT	GB
003		35306	SUPPORTO TARGA C 48 2 SERIE	NAMEPLATE HOLDER C 48 2° SERIES
003		H150833	PRESSAC.EGB PA268/RO	CABLE CLAMP EGB PA268/RO
003		H460285	CART.ATTACCO ACQUA FREDDA	COLD WATER INLET PLATE
003		32970	VITE TS 3 X 20 CROCE	BEVEL, CROSS-SLOT HD. SCREW TS 3 X 20
003		H450137	ATTACCO A COLLARE C/BASE 31900	COLLAR COUPLING WITH BASE 31900
003		H130310	MORSETT. 3POSTI ELETTROGIBI	TERMINAL BLOCK 3 POSIT ELECTROG.
003		25011	CALOTTA X TRAPPOLA ARIA	COVER X AIR TRAP
003		25010	TRAPPOLA ARIA	AIR TRAP
003		25239	GUARN. OR PB 701 3112 x TRAPP.	GASKET OR PB 701 3112 X AIR TRAP
003		25263	GUARN. PIATTA 38 X 25 X 2 TRAP	FLAT GASKET 38 X 25 X 2 A.TRAP
003		25745	RONDELLA PIANA DIAM.6	SPACER, FLAT, DIAM.6
003		25746	RONDELLA PIANA DIAM.6/18	SPACER, FLAT, DIAM.6/18
003		25750	RONDELLA SPACCATA DIAM. 6	SPACER, SPLITTED, DIAM. 6
003		25757	RONDELLA DENTEL. DIAM. 12 D.E.	TOOTHED SPACER DIAM. 12 D.E.D787
003		25767	ROND. SPAC. D.6 SOST.COD.25750	SPACER , SPLITTED, D.6 REPLACES COD.25750
003		25775	DADO 6 MA	NUT 6 MA
003		25777	DADO 3 MA	NUTS 3 MA
003		25782	DADO 8 MA	NUT 8 MA
003		32872	INTERRUTTORE CM UNIP. D	SWITCH SA SINGLE POLE D
003		32916	TAPPO D 16	PLUG D 16
003		28870	LAMPADA SIGNAL-LUX FM6,3 230V.	PILOT LIGHT BULB -LUX FM6,3 230V.
003		32890	TASTO GRIGIO LUCIDO	BRIGHT GREY PUSH-BUTTON,
003		32892	LAMPADA NEON"VERDE" FL-T FM6,3	NEON LIGHT BULB "GREEN" FL-T FM6,3
003		32869	GEMMA D16"ARANCIO"	CAP, Ø16"ORANGE"
003		32868	GEMMA D16"VERDE"	CAP, Ø16"GREEN"
003		31828	RONDELLA DENTEL.E. DIAM.3	DENTED ROUND SPACER, EX Ø 3
003		31324	FILTRO ANTIDISTURBO TIPO 5001	NOISE FILTER, TYPE 5001
003		31171	PRESSOSTATO TAR. 28/12+-3	PRESSURE SWITCH, RATED 28/12+-3
003		29529	PULSANTE UNIPOLARE NA	UNIPOLAR PUSHBUTTON NA
003		32891	SUPPORTO LAMPADA	LIGHT BULB HOLDER
004		34236	LAMPADA SIGNAL LUX BLU 230V	PILOT LIGHT, BLUE BULB 230V
004		34198	GEMMA D16 "BLU"	COVER, D16 "BLUE"
004		34046	CORDA IN NYLON X FERMOCASSETTO	NYLON ROPE, DRAWER LIMIT STOP
004		33715	TARGA COMANDI C 48	NAMEPLATE, CONTROLS C 48
004		33596	INTERRUTTORE BIP. SAA1C14110	SWITCH, DOUB.POLE SAA1C14110
004		33349	TARGHETTA INDICAZIONE TERRA	INDICAT.PLATE, EARTHING
004		34312	RELE'T.A2S FA 16A 230V	T.RELAY A2S FA 16A 230V
004		33188	SENSORE MAGNETICO	MAGNETIC SENSOR
004		H160121	TUBO GOMMA NERA "5 X 9"	HOSE, BLACK RUBBER D. 5 X 9
004		33247	SUPPORTO VETRO GRIGIO LUCIDO	SUPPORT LAMP HOLDER, BRIGHT GREY
004		34402	TIMER P26/15 4CR 120"-230V.	TIMER P26/15 4CR 120"-230V.
004		34733	FASCETTA A FILO X TUB.9,8-10,1	WIRE PIPE CLAMP FOR 9,8-10,1 PIPE
004		34815	VITE AUT. T/TCROCE 3,9 X 13	CROSS-SL.HD SELF-TAP.SCREW3,9 X 13
004		35302	SUPPORTO IMP.ELET. C/STS 43/48	ELECTRIC PLANT SUPPORT C/STS 43/48
004		35306	SUPPORTO TARGA C 48 2 SERIE	NAMEPLATE HOLDER C 48 2° SERIES
004		H150833	PRESSAC.EGB PA268/RO	CABLE CLAMP EGB PA268/RO
004		H450137	ATTACCO A COLLARE C/BASE 31900	COLLAR COUPLING WITH BASE 31900
004		H460285	CART.ATTACCO ACQUA FREDDA	COLD WATER INLET PLATE
004		25010	TRAPPOLA ARIA	AIR TRAP
004		32970	VITE TS 3 X 20 CROCE	BEVEL, CROSS-SLOT HD. SCREW TS 3 X 20
004		29529	PULSANTE UNIPOLARE NA	UNIPOLAR PUSHBUTTON NA
004		H130310	MORSETT. 3POSTI ELETTROGIBI	TERMINAL BLOCK 3 POSIT ELECTROG.
004		25757	RONDELLA DENTEL. DIAM. 12 D.E.	TOOTHED SPACER DIAM. 12 D.E.D787
004		25011	CALOTTA X TRAPPOLA ARIA	COVER X AIR TRAP
004		25239	GUARN. OR PB 701 3112 x TRAPP.	GASKET OR PB 701 3112 x AIR TRAP
004		25263	GUARN. PIATTA 38 X 25 X 2 TRAP	FLAT GASKET 38 X 25 X 2 A.TRAP
004		25745	RONDELLA PIANA DIAM.6	SPACER, FLAT, DIAM.6
004		31324	FILTRO ANTIDISTURBO TIPO 5001	NOISE FILTER, TYPE 5001
004		25750	RONDELLA SPACCATA DIAM. 6	SPACER, SPLITTED, DIAM. 6
004		32892	LAMPADA NEON"VERDE" FL-T FM6,3	NEON LIGHT BULB "GREEN" FL-T FM6,3
004		25767	ROND. SPAC. D.6 SOST.COD.25750	SPACER , SPLITTED, D.6 REPLACES COD.25750
004		25775	DADO 6 MA	NUT 6 MA
004		25777	DADO 3 MA	NUTS 3 MA
004		32890	TASTO GRIGIO LUCIDO	BRIGHT GREY PUSH-BUTTON,
004		26880	TIMER RIGENERA 18'X S/E NKD	TIMER REGENERATION 20" X S/E NKD
004		28870	LAMPADA SIGNAL-LUX FM6,3 230V.	PILOT LIGHT BULB -LUX FM6,3 230V.
004		31171	PRESSOSTATO TAR. 28/12+-3	PRESSURE SWITCH, RATED 28/12+-3

Seite	Pos	Kreditor Artikel Nr.	IT	GB
004		32869	GEMMA D16"ARANCIO"	CAP, Ø16"ORANGE"
004		25782	DADO 8 MA	NUT 8 MA
004		25746	RONDELLA PIANA DIAM.6/18	SPACER, FLAT, DIAM.6/18
004		32891	SUPPORTO LAMPADA	LIGHT BULB HOLDER
005		H200340	MANICOTTO B25-7-12-CONT.SAL.	SALT CONTAINER HOSE B25-7-12
005		34534	TERMOSTATO ASS.COTHERM 87-109°	THERMOSTAT ASS.COTHERM 87-109°
005		33424	FASCETTA FE ZN 11-17 H=9	FE-ZN CLAMP 11-17 H=9
005		33590	ADDOLCITORE 3 COLONNE	WATER SOFTENER 3 COLUMNS
005		33889	RIDUTTORE ELETTROVAL. RIGENERA	REDUCER, SOLENOID V. REGENER
005		33276	CONNETTORE A T-D11,5-COM180413	T-SHAPED CONNECTOR Ø11,5-PART180413
005		33973	PORTAGOMMA COM 180411	HOSE FITTING COM 180411
005		33974	DADO X RACCORDO COM 180130	NUT FOR FITTING COM 180130
005		33975	TUBO POLLET.6.5X1.1 COM 160117	PIPE 6.5X1.1 COM 160117
005		34678	SQUADRETTA TERMOSTATO COTHERM	BRACKET, THERMOSTAT COTHERM
005		H201038	TUBO COLL.VALV.ANTIV. ADD. H/C	CONNEC.TUBE ANTI VAC. VAL. ADD. H/C
005		35382	CAVALLOTTO FISS.ADD.3 COLONNE	FIX.JUMPER, 3-COLUMN SOFTENER
005		35388	DOSATORE BRILL.GIALL. C/STS	RINSE AID DISP."YELLOW" C/STS
005		35426	BOLLITORE -C/CR/STSD/43/48	BOILER -C/CR/STSD/43/48
005		H200117	TUBO GOMMA 8X15 INDUSTRIA 10	RUBBER HOSE 8X16, INDUSTR,10
005		H200820	GUARN.OR 5,33X46,99X57,6	OR GASKET 5,33X46,99X57,6
005		28880	MADREVITE	NUT SCREW
005		25216	MANICOTTO SCARICO 50-52-T4(T5)	DRAIN SLEEVE 50-52-T4(T5)
005		35484	RES.FLAN.3200W MONO s/za portabulbo	FL.RESIST.3200 MONO w/out CAPILLARY
005		25034	TAPPO CONT.SALE -> 25051	PLUG, SALT CONTAIN. -> 25051
005		25265	GUARNIZIONE PIATTA X SERBATOIO SALE	FLAT GASKET X RESERV. SALT
005		26863	VITE TE 6 X 8 INOX	HEX HD SCREW 6 X 8 STAINLESS S.
005		17901	SQUADRETTA ELETTROVALVOLA	SOLENOID VALVE HOLDER
005		25033	GHIERA SALE -> VEDERE IL 25051	SALT NUT -> SEE 25051
005		00182	TUBO GOMMA 11X19 CASER/15"BLU"	HOSE 11X19 CASER/15"BLUE"
005		25051	CONTENITORE SALE COMPLETO	SALT CONTAINER COMPLETE
005		25235	TUBO DI CARICO 3/4" 60 ATE	INLET HOSE 3/4" 60 ATE
005		25274	GUARNIZIONE PIATTA 12 X 6 X 2	FLAT GASKET 12 X 6 X 2
005		25831	PIASTRINA X VITI AUTOF.LATI 7P	PLATE FOR SELFTHREAD. SCREW SIDES 7P
005		20151	CONTENITORE SALE 1Kg.	SALT CONTAINER FOR SPARE PART 1Kg.
005		26631	ELETTROVALVOLA DOPPIA 3/4"	SOLENOID V., DOUBLE 3/4"
005		25697	VITE AUTOF.T/TCROCE 3,9X13 ZIG	SELF-TAPPING SCREW CHEESE D747H.ROSS 3,
005		25803	FASCETTA STRINGITUBO 13-20 ABA	HOSE CLIP 13-20 ABA
005		25750	RONDELLA SPACCATA DIAM. 6	SPACER, SPLITTED, DIAM. 6
005		25746	RONDELLA PIANA DIAM.6/18	SPACER, FLAT, DIAM.6/18
005		25715	VITE TE M 6 X 16 INOX	SCREW HEX.HD M 6 X 16 SS
005		25700	VITE TC 4 X 8 CON ZIGRINATURA	SCREW CHEESE-H. 4 X 8 KNURLED
006		34678	SQUADRETTA TERMOSTATO COTHERM	BRACKET, THERMOSTAT COTHERM
006		28880	MADREVITE	NUT SCREW
006		33276	CONNETTORE A T-D11,5-COM180413	T-SHAPED CONNECTOR Ø11,5-PART180413
006		33424	FASCETTA FE ZN 11-17 H=9	FE-ZN CLAMP 11-17 H=9
006		25274	GUARNIZIONE PIATTA 12 X 6 X 2	FLAT GASKET 12 X 6 X 2
006		33889	RIDUTTORE ELETTROVAL. RIGENERA	REDUCER, SOLENOID V. REGENER
006		34534	TERMOSTATO ASS.COTHERM 87-109°	THERMOSTAT ASS.COTHERM 87-109°
006		26863	VITE TE 6 X 8 INOX	HEX HD SCREW 6 X 8 STAINLESS S.
006		35388	DOSATORE BRILL.GIALL. C/STS	RINSE AID DISP."YELLOW" C/STS
006		35426	BOLLITORE -C/CR/STSD/43/48	BOILER -C/CR/STSD/43/48
006		35484	RES.FLAN.3200W MONO s/za portabulbo	FL.RESIST.3200 MONO w/out CAPILLARY
006		H200117	TUBO GOMMA 8X15 INDUSTRIA 10	RUBBER HOSE 8X16, INDUSTR,10
006		H200340	MANICOTTO B25-7-12-CONT.SAL.	SALT CONTAINER HOSE B25-7-12
006		H200820	GUARN.OR 5,33X46,99X57,6	OR GASKET 5,33X46,99X57,6
006		H331839	CAVALLOTTO FISS.ADD.4 COLONNE	JUMPER FIX. 4-COLUMN SOFTENER
006		26631	ELETTROVALVOLA DOPPIA 3/4"	SOLENOID V., DOUBLE 3/4"
006		H640209	ADDOLCITORE 4 COLONNE	SOFTENER, 4-COLUMN
006		25033	GHIERA SALE -> VEDERE IL 25051	SALT NUT -> SEE 25051
006		25831	PIASTRINA X VITI AUTOF.LATI 7P	PLATE FOR SELFTHREAD. SCREW SIDES 7P
006		00182	TUBO GOMMA 11X19 CASER/15"BLU"	HOSE 11X19 CASER/15"BLUE"
006		20151	CONTENITORE SALE 1Kg.	SALT CONTAINER FOR SPARE PART 1Kg.
006		25034	TAPPO CONT.SALE -> 25051	PLUG, SALT CONTAIN. -> 25051
006		25051	CONTENITORE SALE COMPLETO	SALT CONTAINER COMPLETE
006		25235	TUBO DI CARICO 3/4" 60 ATE	INLET HOSE 3/4" 60 ATE
006		25246	GUARNIZIONE OR X CONTENIT.SALE	GASKET OR X SALT CONTAIN.
006		25803	FASCETTA STRINGITUBO 13-20 ABA	HOSE CLIP 13-20 ABA

Seite	Pos	Kredtor Artikel Nr.	IT	GB
006		25715	VITE TE M 6 X 16 INOX	SCREW HEX.HD M 6 X 16 SS
006		25746	RONDELLA PIANA DIAM.6/18	SPACER, FLAT, DIAM.6/18
006		25750	RONDELLA SPACCATA DIAM. 6	SPACER, SPLITTED, DIAM. 6
006		25265	GUARNIZIONE PIATTA X SERBATOIO SALE	FLAT GASKET X RESERV. SALT
006		17901	SQUADRETTA ELETTROVALVOLA	SOLENOID VALVE HOLDER
007		33975	TUBO POLLET.6.5X1.1 COM 160117	HOSE 6.5X1.1 COM 160117
007		33974	DADO X RACCORDO COM 180130	NUT FOR FITTING COM 180130
007		33973	PORTAGOMMA COM 180411	HOSE FITTING COM 180411
007		33889	RIDUTTORE ELETTROVAL. RIGENERA	REDUCER, SOLENOID V. REGENER
007		33590	ADDOLCITORE 3 COLONNE	WATER SOFTENER 3 COLUMNS
007		33506	VALVOLA ANTIVUOTO "B-F-C"	ANTI-VACUUM VALVE "B-F-C"
007		33502	TEE PARASPRUZZI VALVOLA ANTIV.	T SPLASHPROOF FOR ANTIVAC.VLV
007		34534	TERMOSTATO ASS.COTHERM 87-109°	THERMOSTAT ASS.COTHERM 87-109°
007		H201038	TUBO COLL.VALV.ANTIV. ADD. H/C	CONNEC.TUBE ANTI VAC. VAL. ADD. H/C
007		33505	GUARNIZ.30X21X2 KLING.(H460502	GASKET 30X21X2 KLINGER SIL
007		34678	SQUADRETTA TERMOSTATO COTHERM	BRACKET, THERMOSTAT COTHERM
007		35382	CAVALLOTTO FISS.ADD.3 COLONNE	FIX.JUMPER, 3-COLUMN SOFTENER
007		35388	DOSATORE BRILL.GIALL. C/STS	RINSE AID DISP."YELLOW" C/STS
007		35426	BOLLITORE -C/CR/STSD/43/48	BOILER -C/CR/STSD/43/48
007		35484	RES.FLAN.3200W MONO s/za portabulbo	FL.RESIST.3200 MONO w/out CAPILLARY
007		H200117	TUBO GOMMA 8X15 INDUSTRIA 10	RUBBER HOSE 8X16, INDUSTR,10
007		33276	CONNETTORE A T-D11,5-COM180413	T-SHAPED CONNECTOR 11,5-PART180413
007		H200820	GUARN.OR 5,33X46,99X57,6	OR GASKET 5,33X46,99X57,6
007		28880	MADREVITE	NUT SCREW
007		H200340	MANICOTTO B25-7-12-CONT.SAL.	SALT CONTAINER HOSE B25-7-12
007		25033	GHIERA SALE -> VEDERE IL 25051	SALT NUT -> SEE 25051
007		00182	TUBO GOMMA 11X19 CASER/15"BLU"	HOSE 11X19 CASER/15"BLUE"
007		33424	FASCETTA FE ZN 11-17 H=9	FE-ZN CLAMP 11-17 H=9
007		20151	CONTENITORE SALE 1Kg.	SALT CONTAINER FOR SPARE PART 1Kg.
007		25034	TAPPO CONT.SALE -> 25051	PLUG, SALT CONTAIN. -> 25051
007		25051	CONTENITORE SALE COMPLETO	SALT CONTAINER COMPLETE
007		25235	TUBO DI CARICO 3/4" 60 ATE	INLET HOSE 3/4" 60 ATE
007		25246	GUARNIZIONE OR X CONTENIT.SALE	GASKET OR X SALT CONTAIN.
007		25265	GUARNIZIONE PIATTA X SERBATOIO SALE	FLAT GASKET X RESERV. SALT
007		25274	GUARNIZIONE PIATTA 12 X 6 X 2	FLAT GASKET 12 X 6 X 2
007		26631	ELETTROVALVOLA DOPPIA 3/4"	SOLENOID V., DOUBLE 3/4"
007		17901	SQUADRETTA ELETTROVALVOLA	SOLENOID VALVE HOLDER
007		25697	VITE AUTOF.T/TCROCE 3,9X13 ZIG	SELF-TAPPING SCREW CHEESE D747H.ROSS 3,
007		26863	VITE TE 6 X 8 INOX	HEX HD SCREW 6 X 8 STAINLESS S.
007		25831	PIASTRINA X VITI AUTOF.LATI 7P	PLATE FOR SELFTHREAD. SCREW SIDES 7P
007		25803	FASCETTA STRINGITUBO 13-20 ABA	HOSE CLIP 13-20 ABA
007		25750	RONDELLA SPACCATA DIAM. 6	SPACER, SPLITTED, DIAM. 6
007		25746	RONDELLA PIANA DIAM.6/18	SPACER, FLAT, DIAM.6/18
007		25715	VITE TE M 6 X 16 INOX	SCREW HEX.HD M 6 X 16 SS
007		25700	VITE TC 4 X 8 CON ZIGRINATURA	SCREW CHEESE-H. 4 X 8 KNURLED
008		28880	MADREVITE	NUT SCREW
008		H331839	CAVALLOTTO FISS.ADD.4 COLONNE	JUMPER FIX. 4-COLUMN SOFTENER
008		34678	SQUADRETTA TERMOSTATO COTHERM	BRACKET, THERMOSTAT COTHERM
008		33502	TEE PARASPRUZZI VALVOLA ANTIV.	T SPLASHPROOF FOR ANTIVAC.VLV
008		33506	VALVOLA ANTIVUOTO "B-F-C"	ANTI-VACUUM VALVE "B-F-C"
008		33889	RIDUTTORE ELETTROVAL. RIGENERA	REDUCER, SOLENOID V. REGENER
008		34534	TERMOSTATO ASS.COTHERM 87-109°	THERMOSTAT ASS.COTHERM 87-109°
008		33276	CONNETTORE A T-D11,5-COM180413	T-SHAPED CONNECTOR 11,5-PART180413
008		35388	DOSATORE BRILL.GIALL. C/STS	RINSE AID DISP."YELLOW" C/STS
008		35426	BOLLITORE -C/CR/STSD/43/48	BOILER -C/CR/STSD/43/48
008		35484	RES.FLAN.3200W MONO s/za portabulbo	FL.RESIST.3200 MONO w/out CAPILLARY
008		H200117	TUBO GOMMA 8X15 INDUSTRIA 10	RUBBER HOSE 8X16, INDUSTR,10
008		H200820	GUARN.OR 5,33X46,99X57,6	OR GASKET 5,33X46,99X57,6
008		H640209	ADDOLCITORE 4 COLONNE	SOFTENER, 4-COLUMN
008		26863	VITE TE 6 X 8 INOX	HEX HD SCREW 6 X 8 STAINLESS S.
008		33424	FASCETTA FE ZN 11-17 H=9	FE-ZN CLAMP 11-17 H=9
008		H200340	MANICOTTO B25-7-12-CONT.SAL.	SALT CONTAINER HOSE B25-7-12
008		25051	CONTENITORE SALE COMPLETO	SALT CONTAINER COMPLETE
008		26631	ELETTROVALVOLA DOPPIA 3/4"	SOLENOID V., DOUBLE 3/4"
008		33505	GUARNIZ.30X21X2 KLING.(H460502	GASKET 30X21X2 KLINGER SIL
008		17901	SQUADRETTA ELETTROVALVOLA	SOLENOID VALVE HOLDER
008		20151	CONTENITORE SALE 1Kg.	SALT CONTAINER FOR SPARE PART 1Kg.

Seite	Pos	Kredtor Artikel Nr.	IT	GB
008		25246	GUARNIZIONE OR X CONTENIT.SALE	GASKET OR X SALT CONTAIN.
008		25265	GUARNIZIONE PIATTA X SERBATOIO SALE	FLAT GASKET X RESERV. SALT
008		25274	GUARNIZIONE PIATTA 12 X 6 X 2	FLAT GASKET 12 X 6 X 2
008		25803	FASCETTA STRINGITUBO 13-20 ABA	HOSE CLIP 13-20 ABA
008		25033	GHIERA SALE -> VEDERE IL 25051	SALT NUT -> SEE 25051
008		25831	PIASTRINA X VITI AUTOF.LATI 7P	PLATE FOR SELFTHREAD. SCREW SIDES 7P
008		25697	VITE AUTOF.T/TCROCE 3,9X13 ZIG	SELF-TAPPING SCREW CHEESE D747H.ROSS 3,
008		25750	RONDELLA SPACCATA DIAM. 6	SPACER, SPLITTED, DIAM. 6
008		00182	TUBO GOMMA 11X19 CASER/15"BLU	HOSE 11X19 CASER/15"BLUE"
008		25746	RONDELLA PIANA DIAM.6/18	SPACER, FLAT, DIAM.6/18
008		25715	VITE TE M 6 X 16 INOX	SCREW HEX.HD M 6 X 16 SS
008		25700	VITE TC 4 X 8 CON ZIGRINATURA	SCREW CHEESE-H. 4 X 8 KNURLED
009		H200820	GUARN.OR 5,33X46,99X57,6	OR GASKET 5,33X46,99X57,6
009		33543	CONDENSATORE 5 UF-450 V	CAPACITOR 5 UF-450 V
009		34332	GUARNIZIONE OR 128 TAPPO SUPP.	GASKET OR 128 SUPP.PLUG
009		34556	FILTRO ASP.POMPA STS-43-48-53	SUCTION FILTER PUMP STS-43-48-53
009		34658	FILTRO VASCA POLIP. 43-53/98	FILTER, TANK POLYP. 43-53/98
009		34733	FASCETTA A FILO X TUB.9,8-10,1	WIRE PIPE CLAMP FOR 9,8-10,1 PIPE
009		34815	VITE AUT. T/TCROCE 3,9 X 13	CROSS-SL.HD SELF-TAP.SCREW3,9 X 13
009		35037	TROPPOPIENO 43/48 COM	OVERFLOW TUBE 43/48 COM
009		35143	ELETTROPOMPA HP.0,3 ZF140 50Hz	WASH PUMP HP .0,3 ZF140 50 Hz
009		35230	RESIS. VASCA 2000W-230V SAGOM.	HEAT.ELEM. TANK 2000W-230V S-SHAPE
009		34106	TUBO DI SCARICO DR. D.20X1500	DRAIN TUBE DR. D.20X1500
009		35454	MANICOTTO ASPIRAZ. C 43/C 48	SUCTION SLEEVE H C 43/C48
009		35472	SQUADRETTA POMPA STS48 rib.	BRACKET, PUMP STS 48 SUNK
009		35498	TUBO MANDATA INF. STS43-48	DELIVERY PIPE.H STS43-48
009		36087	CAVALLOTTO FIS.RESIST.VASCA	SUPPORT X HEATING ELEM. TANK
009		H160121	TUBO GOMMA NERA "5 X 9"	HOSE, BLACK RUBBER D. 5 X 9
009		H160769	TAPPO 1/2" X SUPPORTO MULIN.	PLUG 1/2" FOR REV.WASHARM SUPPORT
009		H190209	SUPPORTO MULINELLO SUPERIORE	SUPPORT, UPPER REVOLV.ARM
009		31948	GUARNIZIONE OR	GASKET OR
009		H191083	COLONNINA INFERIORE STS48/BHC	LOWER COLUMN STS48/BHC
009		30425	PILETTA ASPIRAZIONE	SUCTION PIPE UNION
009		H201032	TUBO MANDATA LAV.SUP.STS48/BHC	UPPER WASH. OUTLET TUBE STS48/BHC
009		H260537	RONDEL.INOX D.13X20X0,8-6592	S.S. FLAT WASHER D13X20X0, 8-6592
009		H190223	SUPPORTO MULINELLO INFERIORE	LOWER REV.WASHARM HOLDER
009		25715	VITE TE M 6 X 16 INOX	SCREW HEX.HD M 6 X 16 SS
009		00182	TUBO GOMMA 11X19 CASER/15"BLU"	HOSE 11X19 CASER/15"BLUE"
009		25006	GHIERA PILETTA ASP. P.	NUT FO DRAIN SUCT. P.
009		25010	TRAPPOLA ARIA	AIR TRAP
009		25011	CALOTTA X TRAPPOLA ARIA	COVER X AIR TRAP
009		30479	GUARNIZIONE OR 4081	GASKET OR 4081
009		25263	GUARN. PIATTA 38 X 25 X 2 TRAP	FLAT GASKET 38 X 25 X 2 A.TRAP
009		31637	GHIERA CON GANCIO S/ZA CROCE	CROSSLESS HOOK SLEEVE
009		25716	VITE TE M 6 X 20 INOX	SCREW HEX.HD M 6 X 20 SS
009		25746	RONDELLA PIANA DIAM.6/18	SPACER, FLAT, DIAM.6/18
009		25750	RONDELLA SPACCATA DIAM. 6	SPACER, SPLITTED, DIAM. 6
009		25757	RONDELLA DENTEL. DIAM. 12 D.E.	TOOTHED SPACER DIAM. 12 D.E.D787
009		25775	DADO 6 MA	NUT 6 MA
009		30424	COPERCHIO X TROPPOPIENO	COVER FOR OVERFLOW TUBE
009		25239	GUARN. OR PB 701 3112 x TRAPP.	GASKET OR PB 701 3112 x AIR TRAP
009		25782	DADO 8 MA	NUT 8 MA
009		30426	MOLLA X TROPPOPIENO	SPRING FOR OVERFLOW TUBE
009		31171	PRESSOSTATO TAR. 28/12+-3	PRESSURE SWITCH, RATED 28/12+-3
009		30421	RACCORDO DI SCARICO LUNGO	DRAIN FITTING, LONG
009		28226	GUARNIZ.OR 3181 X PIPA SCARICO	GASKET OR 3181 FOR DRAIN LUG
009		25809	FASCETTA STRINGITUBO 40-64CLAM	HOSE CLIP 40-64CLAM
009		25808	FASCETTE STRINGITUBO 27-51CLAM	HOSE CLIP 27-51CLAM
009		25807	FASCETTA STRINGITUBO 26-38 ABA	HOSE CLIP 26-38 ABA
009		25804	FASCETTA STRINGITUBO 15-24 ABA	HOSE CLIP 15-24 ABA
009		25803	FASCETTA STRINGITUBO 13-20 ABA	HOSE CLIP 13-20 ABA
009		30940	RONDELLA PIANA NERA DIAM. 6	FLAT SPACER, BLACK, DIA. 6
010		H200843	GUARN.OR 2X13X17 F.SER.	OR GASKET 2X13X17 END OF SERIES
010		H190209	SUPPORTO MULINELLO SUPERIORE	SUPPORT, UPPER REVOLV.ARM
010		H190649	BUSSOLA PER MULINELLO	BUSH FOR WASHARM
010		H191083	COLONNINA INFERIORE STS48/BHC	LOWER COLUMN STS48/BHC
010		H200820	GUARN.OR 5,33X46,99X57,6	OR GASKET 5,33X46,99X57,6

Seite	Pos	Kredtor Artikel Nr.	IT	GB
010		H261009	VITE FISS. MULINELLO TUB.ACC.	RETAIN.SCREW FOR WASH-RINSE ARM
010		H420531	MULINELLO PL.MONTATO F20-BC	PLASTIC WASH-RINSE ARM, ASSEMB. F20-BC
010		H420551	MULIN.LAV.SUP.LBC-BHC MONT. C	UPPER WASH ARM GLASSWASHERS
010		H160769	TAPPO 1/2" X SUPPORTO MULIN.	PLUG 1/2" FOR REV.WASHARM SUPPORT
010		H160736	TAPPO MULINELLO LAVAGGIO	PLUG, REVOLV. WASHARM
010		33790	GUARNIZIONE OR 2X9,5X13,5 F.S.	GASKET OR 2X9,5X13,5 F.S.
010		H170956	UGELLO LAVAGGIO "B"	WASH NOZZLE "B"
010		25750	RONDELLA SPACCATA DIAM. 6	SPACER, SPLITTED, DIAM 6
010		25775	DADO 6 MA	NUT 6 MA
010		30940	RONDELLA PIANA NERA DIAM. 6	FLAT SPACER, BLACK, DIA. 6
010		33791	UGELLO RISC. MULINELLO	RINSE JET, ROT.ARM
010		33792	GUARNIZIONE OR 2,62X9,13X14,37	GASKET OR 2,62X9,13X14,37
010		33793	TAPPO RISC. MULINELLO	PLUG, RINSE ARM
010		34332	GUARNIZIONE OR 128 TAPPO SUPP.	GASKET OR 128 SUPP.PLUG
010		H140108	PIASTRINA X VITE FISS. MULIN.	PLATE F.CLAMP SCREW/WASH-RINSE ARM
010		25716	VITE TE M 6 X 20 INOX	SCREW HEX.HD M 6 X 20 SS
010		27050	GUARNIZIONE OR 2068	GASKET OR 2068
011		33543	CONDENSATORE 5 UF-450 V	CAPACITOR 5 UF-450 V
011		35495	GIRANTE POMPA ZF140 (35143)	PUMP IMPELLER ZF 140 (35143)
011		35497	GUARNIZIONE OR 94,97x1,78 LGB	GASKET OR 94,97 X 1,78 LGB
011		35496	CHIOCCIOLA POMPA ZF140 (35143)	PUMP SCROLL ZF 140 (35143)
011		33181	TENUTA C3 (LGB)X POM.TIP.ZF140	SHAFT SEAL C3 (LGB)FOR PUMP CODE 32926
011		25776	DADO 8 MA INOX 18/8	NUTS 8 MA SS 18/8
011		25757	RONDELLA DENTEL. DIAM. 12 D.E.	TOOTHED SPACER DIAM. 12 D.E.D787
011		35143	ELETTROPOMPA HP.0,3 ZF140 50Hz	WASH PUMP HP .0,3 ZF140 50 Hz
011		35494	FLANGIA POMPA ZF140 (35143)	PUMP FLANGE, ZF140 (35143)
012		35392	RACCORDO VALV. A 90° BRILL.H/C	90° VALVE FITTING, RINSE AID H/C
012		31596	MEMBRANA DOSATORE	DIAPHRAGM, DISPENSER
012		31643	FASCETTA A FILO 7,3-7,8	HOSE CLIP 7,3-7,8
012		31991	GUIDA MOLLA DOSATORE	SPRING GUIDE FOR DISPENSER
012		32243	GUARNIZIONE OR 3156	GASKET OR 3156
012		32280	VITE TRUCC.T/TCROCE 4 X 13	OVAL HD. CROSS-SL. SCREW 4 X 13
012		32831	GUARNIZIONE OR 2062	GASKET OR 2062
012		35388	DOSATORE BRILL.GIALL. C/STS	RINSE AID DISP."YELLOW" C/STS
012		H200117	TUBO GOMMA 8X15 INDUSTRIA 10	RUBBER HOSE 8X16, INDUSTR,10
012		25251	GUARNIZIONE OR 2012	GASKET OR 2012
012		28252	RACCORDO ASPIRAZ.DOSATORE	FITTING SUCTION DISPENSER
012		33424	FASCETTA FE ZN 11-17 H=9	FE-ZN CLAMP 11-17 H=9
012		18394	VITE REGOLAZ.DOSATORE	SCREW CONTROL DISPENSER
012		25803	FASCETTA STRINGITUBO 13-20 ABA	HOSE CLIP 13-20 ABA
012		25818	MOLLA CILINDRICA (FILO)	CYLINDER SPRING (WIRE)
012		00166	TUBETTO TRASP. 4x7 IN ROTOLO	ROLL TUBE TRANSP. 4X7
012		15229	DADO FISS. DOSATORE	LOCK NUT AID DISPENSER
012		18750	SQUADRETTA DOSATORE BRILL.	SQUARE, RINSE AGENT DISPENSER
012		25046	CORPO DOSATORE SUPER.	UPPER DISPENSER ASSEMBLY
012		25047	CORPO DOSATORE INFER.	LOWER DISPENSER ASSEMBLY
012		25211	VALVOLINA MAND.-ASPIRAZ.DOSAT.	NON RETURN VALVE RINSE AID DISP.
012		25757	RONDELLA DENTEL. DIAM. 12 D.E.	TOOTHED SPACER DIAM. 12 D.E.D787
012		00182	TUBO GOMMA 11X19 CASER/15"BLU"	HOSE 11X19 CASER/15"BLUE"