


 +7(812)987-08-81
 SPARE PART LIST

Spare Part ItemCode	Item name.	PictureId
2710.11010.02	Right Rail	
6212.00002.17	M8*15 6K INOX CIVATA	
6212.00002.20	M8*30 6K INOX bolt	
6216.00015.02	M6 TIRTILLI RONDELA INOX	
2710.10004.01	BYM 1080 - EKO ARKA SASE UST KAPAK KELEPCE BAGLANTI (YENI)	
2710.10002.08	Spring Bar of Cover (Top)	
6226.00005.04	CONTA PLASTIK 21*32*3,5mm	
6262.00024.00	Washing Navel	
6226.00005.04	CONTA PLASTIK 21*32*3,5mm	
2710.11017.04	SUPPORT FOR RAIL	
2710.11002.06	BYM 1080-EKO top cover handle left stopper	
2710.11025.04	BYM 1080 - EKO YIKAMA MOTORU BAGLANTI (YENI)	
2710.11002.10	BYM 1080 - EKO UST KAPAK ARKA SIPER SAG-SOL (YENI)	
6262.00057.13	BYM 1080 - EKO BOILER KAZANI	
2710.11002.05	BYM 1080-EKO top cover handle right stopper	
6212.00002.10	M6*30 6K INOX bolt	
6213.00001.01	M4*10 YSB INOX VIDA	
6213.00002.11	M5x15 S/S COUNTERSINKING HEAD CROSS RECESS SCREW	
6214.00005.02	BOLT	
2710.11019.02	Upper Rinsing pipe	
2KLP.460.626200056.00	KALIPHANE UR- M18 KALIN DISLI SOMUN	
6221.00001.12	KELEPCE 25*42MM INOX	
8740.DBB50.00	OPEN RACK	
6214.00001.03	Nut M6	
6214.00013.10	SOMUN M6 FIBERLI INOX	
6214.00001.04	Nut M8	
6212.00002.08	M6*15 6K INOX CIVATA	
6262.00021.05	Hose 40-25 Conical	
8740.OTB50.00	RACK BASE FOR PLATE AND TRAY	
6214.00013.15	SOMUN M8 FIBERLI INOX	
6215.00001.03	Ring M8	
6214.00009.01	SAC SOMUNU M4 YAY KLIPS	
6214.00001.06	M12 INOX SOMUN	
6215.00001.02	Ring M6	
6222.00002.22	REDUCTION 3/4*1/2 BRASS	
6243.00003.00	INSULATION TUBE Ø10mm (BOURGEOIS) SILICONE FIREPROOF	
2710.01000.04	Cover	
6262.00004.01	MAGNETIC PART 21*17*5 MM	
2710.10002.07	BYM 1080 - EKO UST KAPAK KOLU YAY STOPLAMA SAG (YENI)	
6215.00001.02	Ring M6	
6262.00021.16	Emptying Hose	
6226.00021.13	Seal for Drain Hose	
8740.CKB50.00	RACK BASE FOR CUTLERY	
6214.00001.03	Nut M6	
2710.11010.03	Left Rail	
2KLP.460.626200041.04	Special Screw M8	
2710.01000.06	Cover Feet	
2710.10003.01	BYM 1080 - EKO ELEKTRIK PANOSU SURGULU (YENI)	
6213.00001.01	M4*10 YSB INOX VIDA	
6214.00001.01	NUT M4	
6214.00001.01	NUT M4	
6260.00002.101	BORU AYAK 150MM UST TABLA 80*80	1
2710.11001.02	BYM 1080 - EKO ALT SASE ON PANNEL DIGITAL	11
6262.00021.09	Rubber Hose Ø40X130 MM	112
6262.00033.05	WASHING PIPE LOWER PARTS	120
6262.00021.13	Emptying Hose	126
2KLP.460.626200041.03	Navel Axle	134
6262.00033.33	Washing&Rinsing Arm (Completely) plst.	136
2710.11004.01	Washing Tank	14
6262.00012.01	RINSING PUMP	140
6222.00003.25	1-3/4 Nipple Brass	141
6262.00008.00	3/4 PLASTIK VENTILLE	143
6221.00001.020	KELEPCE 12*20MM (430 KALITE)	144
9099.01000.06	Boiler Resistance 9 KW	146



0710.01080.07

DISHWASHER, OBM-1080 D PLUS ELECTRONIC PANNEL

Version No: V15.01

2710.11004.02	Washing Tank Surrounding	15
2710.F1000.00	BOILER	153
6262.00062.00	Boiler Cover (Plastic)	155
2KLP.460.626200062.06	Polyamid Bolt (Boiler Cover)	156
6262.00033.23	Rinsing water Distrubutor(3 way)	159
2710.F0041.04	Bolt M8*1	177
6262.00026.03	Air Chamber (Plastic)	185
6262.00021.07	Rubber Hose O 4X8(Float)	187
6262.00007.00	Water Level Switch	188
6262.00021.12	3/4" Complete Water Inlet Hose	190
6262.00021.19	3/4" Complete Water Inlet Hose	191
2710.11006.01	Washing Navel Fixing Part	21
2710.11010.01	RAIL	27
2710.10025.25	BYM 1080-EKO basket support assembly	273
6232.00005.10	Cover Switch	274
2710.11025.08	Electric Panel Sliding Part	275
9099.01000.02	Washing Tank Resistance 3 KW	276
6262.00027.000	Suction Filter Complete	277
6228.00001.210	ORING 117*5MM	278
6262.00028.000	Drain Pipe	279
2710.11002.02	BYM 1080-EKO top cover body	28
6262.00021.06	Rubber Elbow Hose	280
6221.00001.05	Clamp 50X70	281
6222.00027.01	CEKVALF PLASTIK DN20 (20MM 3/4" PLASTIK VENTIL ICIN)	284
6222.00003.22	Nipple 3/4 Brass	285
2710.11049.09	Resistance Fixing Part	286
6262.00033.04	WASHING PIPE UPPER PARTS	292-293
2710.F0025.03	Plastic Washing-Rinsing Elbow(Top)	294
2710.F0021.290	HORTUM BASKILI DURULAMA Y PARCA 1080 T/S (SET:128,5 CM) THERMO	295
2710.11017.01	Ø21 RAIL PART	297
6262.00043.06	Tank Probe 120.02.068	298
6262.00029.00	Scrap Filter(Plastic)	30
2710.10002.10	BYM 1080-EKO rear support lid SS	30
6262.00043.02	PCB FOR POWER CIRCUIT 120.02.072	307
6262.30666.14	POLISH PUMP	313
6262.30666.13	Detergent Pump NBR0003A1000 NBR-3	314
6262.00016.00	DRAIN PUMP	315
6262.00045.0819	CABLE FOR WATER LEVEL SENSOR 120.02.071	316
6262.00043.05	Boiler Probe 120.02.067	317
6262.00045.0818	CABLE FOR COVER SENSOR 120.02.070	318
6226.00016.00	TAMPON RUBBER	319
6221.00001.030	CLAMP 32*50 MM	320
6226.00004.030	gasket , black (outer Q72/innerQ45/thickness:3mm)	321
6262.00058.000	hose clamp Q22 polyemid	37
6262.00003.09	Sledge Barrel	38
2KLP.460.626200003.06	Bolt of Sledge Barrel	39
6262.00047.01	On/Off Handle Spring	43-44
6232.00004.17	Magnet Q18*Q6*10MM	47
2710.10002.04	Upper Cover Connection	48
6260.00003.01	Plastic Cover (Bar of Cover)	51
2710.11002.040	BYM 1080 - EKO UST KAPAK PASLANMAZ TUTAMAK KOLU	52
6262.00022.10	Plastic Cover (Pipe Handle Bar)	53
6262.00033.00	Washing Arm (without nut&nozzle)	56 A
6262.00033.03	WASHING ARM NOZZLE	56 B
6262.00033.02	Washing arm nut	56 C
6262.00033.20	Rinsing Arm(without nut&nozzle)	56 D
6262.00033.21	Rinsing Arm nozzle	56 E
6262.00033.22	Rinsin Arm nut	56 F
6262.00033.01	Collector(washing&rinsing)	56 G
6262.00005.00	Washing Arm Plastic Part.	56 H
6262.00003.12	Cover Sledge Barrel	57
2KLP.460.626200003.11	Screw Cover of Sledge Barrel	58
2710.11010.04	Upper Cover	60
9099.ZF290.VO	Washing Pump LGB ZF290V SX	70
6221.00001.04	Clamp 40X60	72
6262.00023.01	Joint Nut (Plastic) Ø40	90



Cumhuriyet Man. Hadimköy Yolu Caddes. No:8 1Nolu Ba ımsız Bölüm
Büyüççekmece / stanbul VD: BüyükMükellefler VKN: 7080013433

Phone.: 00 90 212 8867800 Fax No: 00 90 212 8867809

0710.01080.07

DISHWASHER, OBM-1080 D PLUS ELECTRONIC PANNEL

Page 3
Version No: V15.01

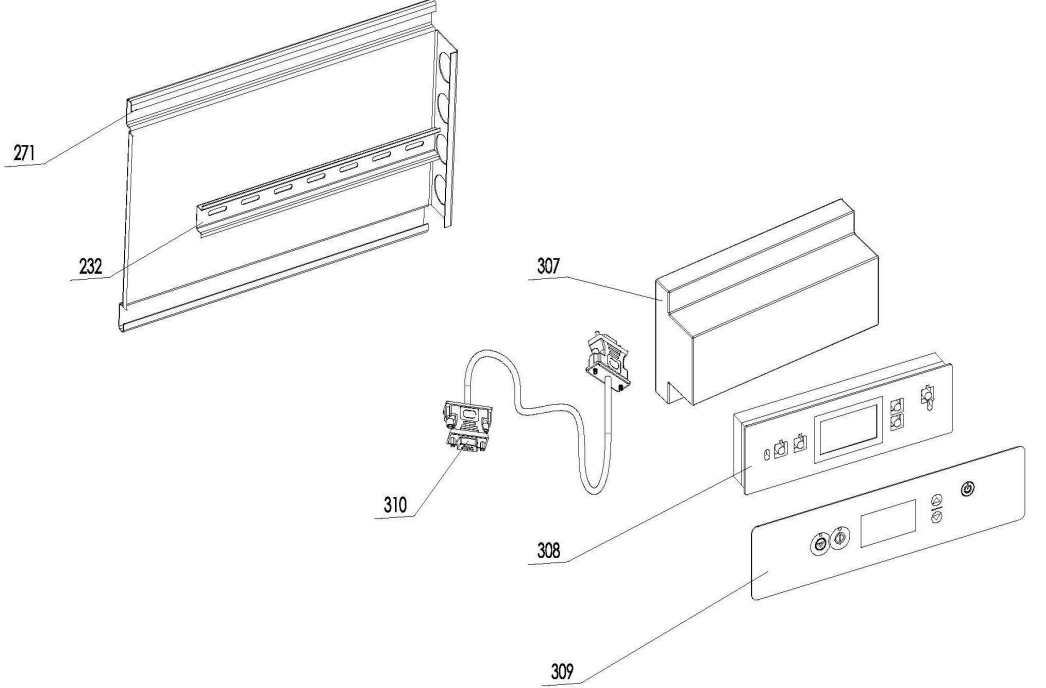
6226.00004.03	Rubber Seal 5XØ40XØ75	91
2710.F0024.00	Washing Navel	92
6262.00030.05	Ring of Water Canalize	94

Зип Общепит

vsezip.ru

+7(812)987-08-81

V 14.0



R&D	İSİM	İMZA	TARİH	MATERIAL	VERSİYON NO	PARÇA ADI:
ÇİZEN	A.SARUHAN		05.01.2015		V 14.0	
KONTROL	E.ATMACA		05.01.2015			
ONAY	M.HACI		05.01.2015	KALINLIK	REVİZYON	T.RESİM NO
RESİM ÜZERİNDEN ÖLÇÜ ALMAYINIZ!		ÖLÇÜLER mm CİNSİNDENİR		AĞIRLIK (gr.)	ÖLÇEK	

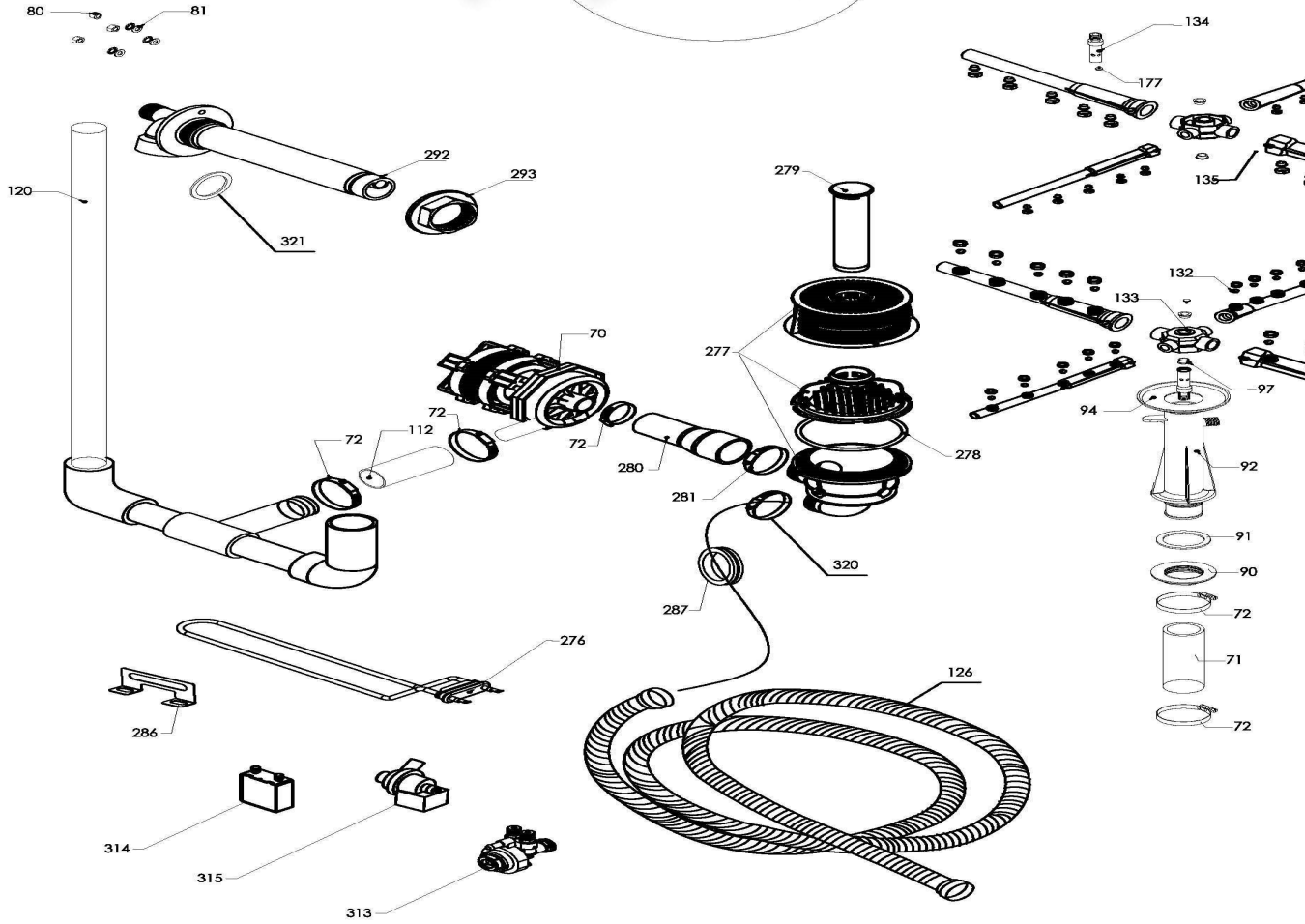
öztiryal

Зип Общепит

vsezip.ru

+7(812)987708-81

V 14.0



R&D	İSİM	İMZA	TARİH	MATERIAL	VERSİYON NO
ÇİZEN	A.SARUHAN		16.04.2015		V 14.0
KONTROL	E. ATMAÇA		16.04.2015		
ONAY	M.HACI		16.04.2015	KALINLIK	REVİZYON
RESİM ÜZERİNDEN ÖLÇÜ ALMAYINIZI	ÖLÇÜLER mm CİNSİNDENDİR			AĞIRLIK (gr.)	ÖLÇEK

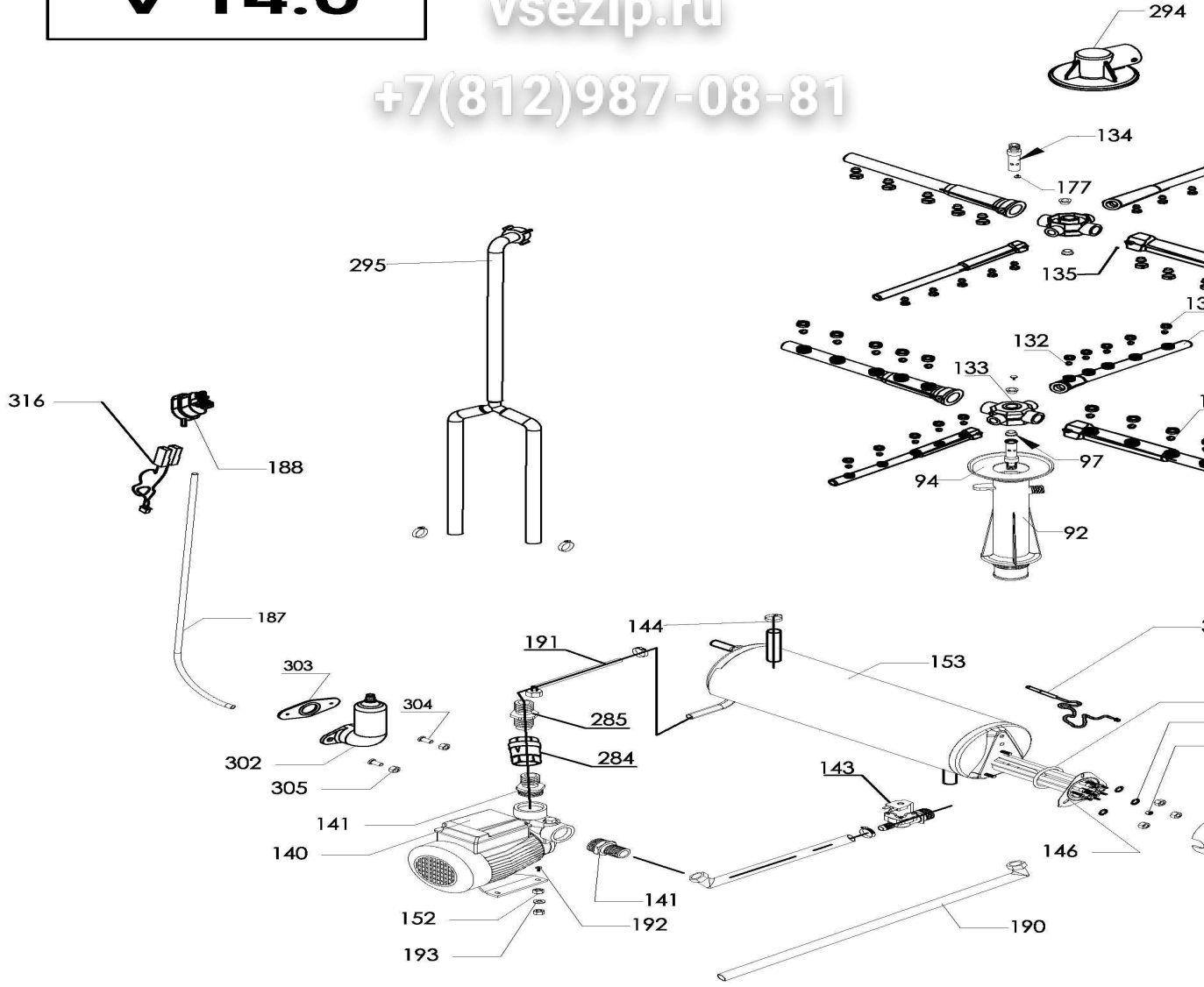
PARÇA ADI:	ÖZTIRYAKILER
OBM 1080 YIKAMA GRUBU PATLAMIS RESİM	
T.RESİM NO	

Зип Ощепит

V 14.0

vsezip.ru

+7(812)987-08-81



R&D	ISIM	İMZA	TARİH	MATERIAL	VERSİYON NO
ÇİZEN	A.SARUHAN		05.11.2014		V 14.0
KONTROL	E. ATMAÇA		05.11.2014		
ONAY	M.HACI		05.11.2014	KALINLIK	REVİZYON
RESİM ÜZERİNDEN ÖLÇÜ ALMAYINIZI	ÖLÇÜLER mm CİNSİNDENDİR			AĞIRLIK (gr.)	ÖLÇEK

PARÇA ADI:	
OBM 1080 DURULAMA GRUBU PATLAMIS RESİM	
T.REŞİM NO	

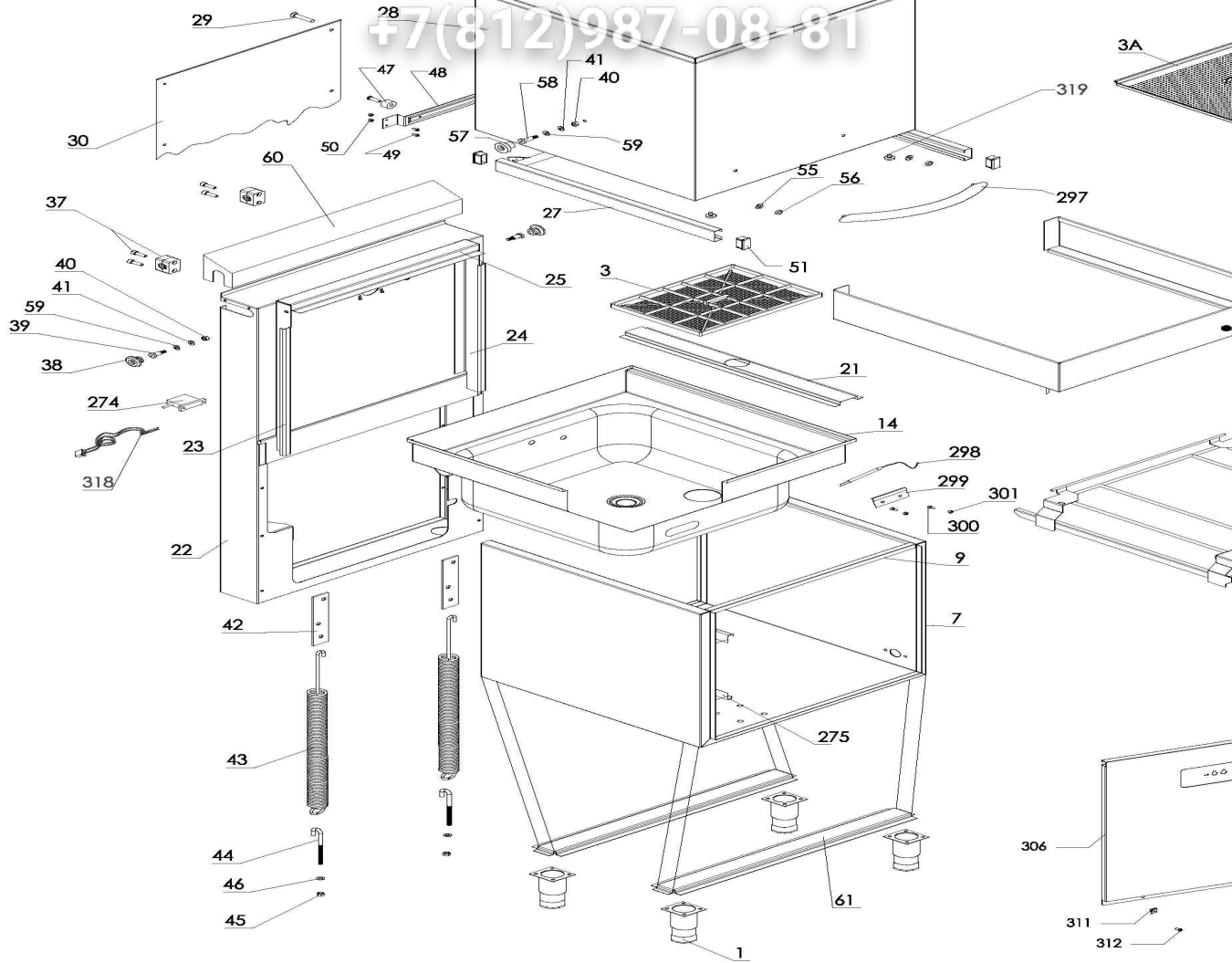
öztiryakiler

Зип Ощепит

V 14.0

vsezip.ru

+7(812)987-08-81



R&D	İSİM	İMZA	TARİH	MATERIAL	VERSİYON NO
ÇİZEN	A.SARUHAN		05.01.2015		V 14.0
KONTROL	E.ATMACA		05.01.2015		
ONAY	M.HACI		05.01.2015	KALINLIK	REVİZYON
RESİM ÜZERİNDEN ÖLÇÜ ALMAYINIZ!	ÖLÇÜLER mm CİNSİNDENDİR			AĞIRLIK (gr.)	ÖLÇEK

PARÇA ADI:

OBM 1080 D-DS-D PLUS GÖVDE GRUBU PATLAMIS

T.RESİM NO

öztiryakiler