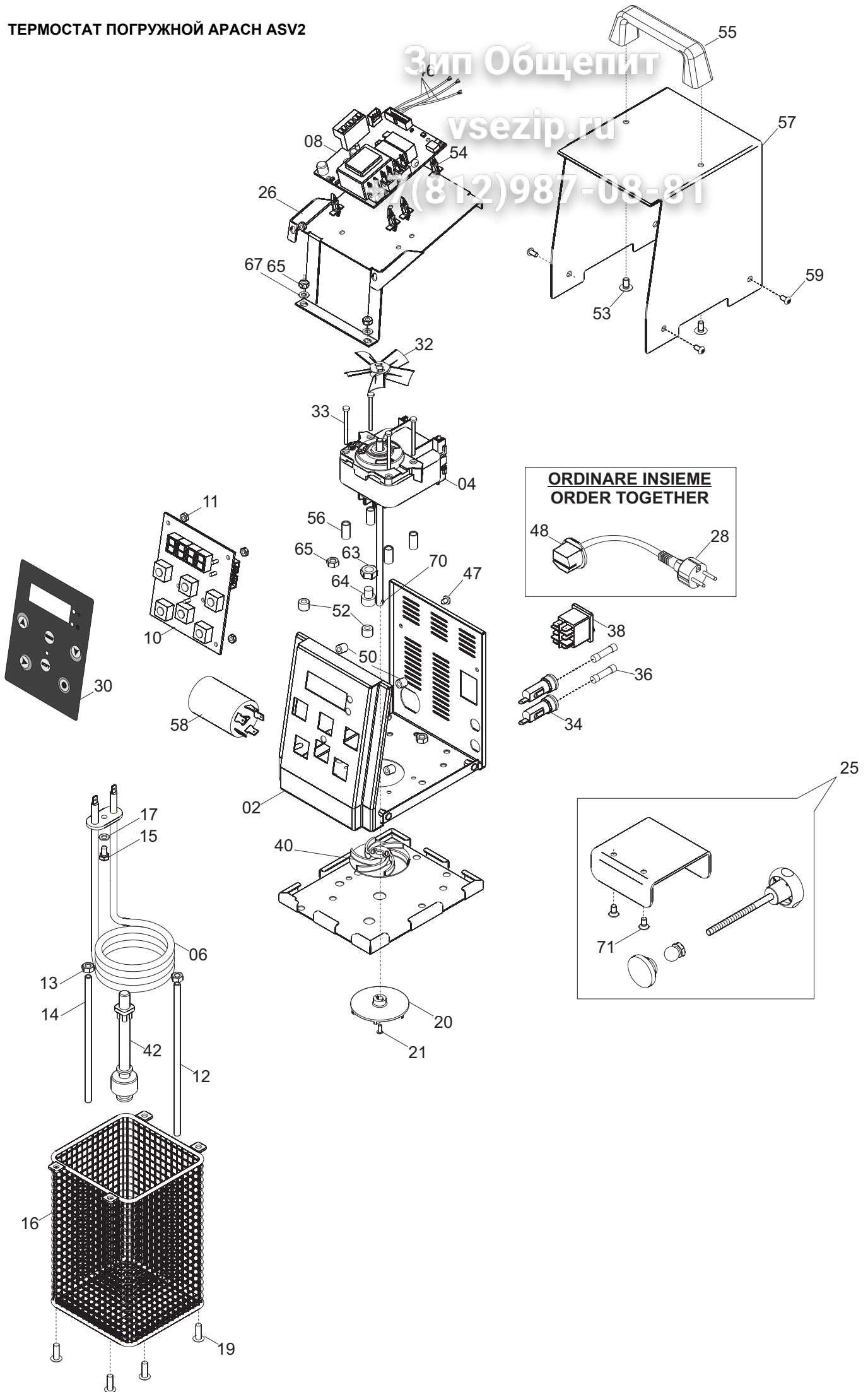


ТЕРМОСТАТ ПОГРУЖНОЙ АРАСН ASV2

Зип Общепит

vsezip.ru

(812)987-08-81



# Зип Ощепит

vsezip.ru

2	FRAME _ SOFTCOOKER Y09	GM2486450
4	MOTOR SOFTCOOKER Y09	GM5036100
6	HEATING ELEMENT 2000W _ SOFTCOOKER 09	GM5256600
8	PCB SOFT COOKER Y09	GM5946300
10	CONTROL BOARD + CORD SOFTCOOKER	GM5946350
11	HEX.NUT DIN 934 M 4	IX2934004
12	SAFETY PROBE 10K FOR SOFTCOOKER 09	GM5826150
13	HEX.NUT DIN 934 M 6	IX2934006
14	THERMOSTAT PROBE FOR SOFTCOOKER 09	GM5826100
15	HEX.SCREW DIN 933 M5 X 10	IX2933005010
16	METAL WIRES PROTECTION, SOFT COOKER	GM3047100
17	WASHER DIN 125 D 5	IX2125005
19	PAN HEAD SCREW DIN 7985 M5X10	IX27985005010
20	SPOKED IMPELLER SOFTCOOKER 09	GM5036870
21	HEX.SCREW DIN 933 M 3X06	IX2933003006
25	CLAMP _ SOFTCOOKER	GM2492000
26	PC BOARD SUPPORT _ SOFTCOOKER Y09	GM2486405
28+48	CABLE 3X1,5 SCHUKO-SOFTCOOKER Y09	GM5506300
28+48 CN	CAVO STERILIZZATORE SPINA CINESE	GM5506815
30	FACEPLATE - SOFTCOOKER Y09	GM8156700
32	MOTOR FAN _ SOFTCOOKER Y09	GM5036850
34	FUSE HOLDER 15A 250V _ SOFTCOOKER 09	GM5846050
36	FUSE 6,3X32 16A _ SOFTCOOKER Y09	GM5846055
38	ON/OFF SWITCH COMELUX 401/L	19410102
40	LOWER FAN, SOFT COOKER	GM5036875
42	WATER LEVEL SENSOR	GM2210200
46	WIRING _ SOFTCOOKER Y09	GM5556475
48	STRAIN RELIEF PA107	GM5893030
50	SPACER DCK R 4280 _ SOFTCOOKER Y09	GM4696255
52	SPACER DCK R 52100 _ SOFTCOOKER Y09	GM4696275
54	SPACER CF06H4080 MM 08 _ SOFTCOOKER	GM4696300
55	S/STEEL HANDLE _ SOFTCOOKER Y09	GM2486040
55 GR	GREY HANDLE _ SOFTCOOKER Y09	GM2486060
56	BRASS SPACER MM 8X16 _ SOFTCOOKER	GM4296235
57	COVER _ SOFTCOOKER Y09	GM2486135
58	FILTER DEM "FLC470501F"	GM5947200
59	S/S CROSS SCREW M 4X10	IB77VBCR04X10
64	BUSH _ SOFTCOOKER Y09	GM2486170
65	HEX.NUT DIN 934 M 5	IX2934005
67	WASHER DIN 125 D 5	IX2125005
70	SPINA ELASTICA DIN 1481 1,5X8	IX21481001.5008
71	VITE TSPEI DIN 7991 M 5X10	IX27991005010