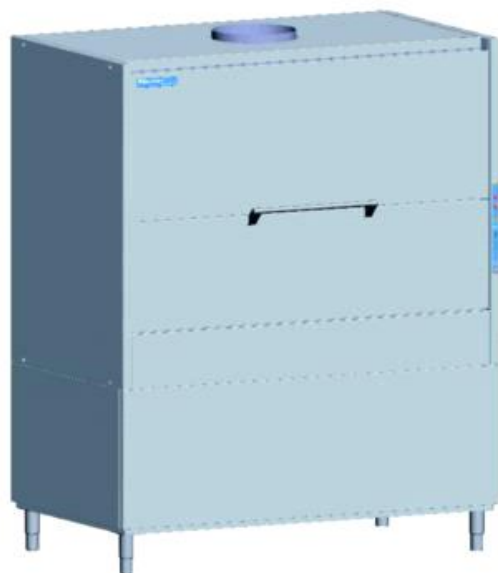


Зип Общепит

**CATALOGO RICAMBI
SPARE PARTS
PIECES DETACHEES
ERSATZTEILE
LISTA DE RECAMBIOS**

vsezip.ru

+7(812)987-08-81



**Lavaoggetti
Utensil and pot washer
Lave batterie
Gerätespülmaschinen
Lavautensilios**

**HD 60/80/130 BT
LB 67/83/134 BT**

Ed. 07/2012

-
- 1 Hood
 - 2 Door Components
 - 3 Wash Pump
 - 4 Wash Arm
 - 5 Wash Arm
 - 6 Filter / Drain
 - 7 Rinse Assembly
 - 8 Rinse Pump
 - 9 Control Box
 - 10 Rinse Aid Injector
 - 11 Detergent Pump
 - 12 Drain Pump

vsezip.ru

+7(812)987-08-81

Code	Description
160704	BLACK PLUG WITH GASKET 1/2"GAKT20
160720	SNAP PLUG HEYCO D.8
180108	NUT 1/2" GAS
200982	GASKET HDBT
25266	FLAT GASKET 18 X 10 X 2
25715	SCREW HEX.HD M 6 X 16 SS
25730	SCREW HEX.HD M 8 X 25
25746	SPACER, FLAT, DIAM.6/18
25747	SPACER, FLAT, DIAM. 8
25750	SPACER, SPLITTED, DIAM. 6
25751	SPACER. SPLITTED, DIAM. 8
25775	NUT 6 MA
25776	NUTS 8 MA SS 18/8
260238	SCREW SS "TB" 4x10
26966	HOLE CLOSING PLUG
27155	PLASTIC NUT10 M
322711	RIGHT RAIL GE
322712	RAIL LEFT GE
323248	PANEL COM. LATER. DX HD60/80/130
323249	CROSS PART SUPP. DX LOWER
323251	FRONT PANEL, HD 60
323252	FRONT PANEL, HD 80
331208	ST-STEEL ADJUST.FOOT
332352	SPLASH GUARD, STEAM OUTLET EDI 2°
33358	LOCK NUT 1/2" ES.30 SP.7"SS"
33408	NEOPREN ADHESIVE GASKET 8 X 4
33412	PRESSED WASHER 7x22x2
342247	HOOD+TANK GE80
342248	HOOD+TANK GE60
34982	SCREW M5X12, HALF-ROUND HD. COMBI
351398	SIDE LEFT PANEL GE
351403	PANEL
351404	TOP COVER GE80
351414	SIDE LEFT PANEL GE
351781	FRONT PANEL GE60
351782	FRONT PANEL GE80
351949	UPPER BACK PANEL GE80
351950	BACK PANEL GE80
351951	UPPER BACK PANEL GE65
351952	BACK PANEL GE65
35206	INSULATION 250x125x30
352236	LEFT SIDE PANEL HD 60/80/130
35231	FLAT WASHER 8 X 24
35811	SNAP PLUG, FASTPOINT/3586
36283	SELF-ADHESIVE GASKET 20X10

vsezip.ru

+7(812)987-08-81

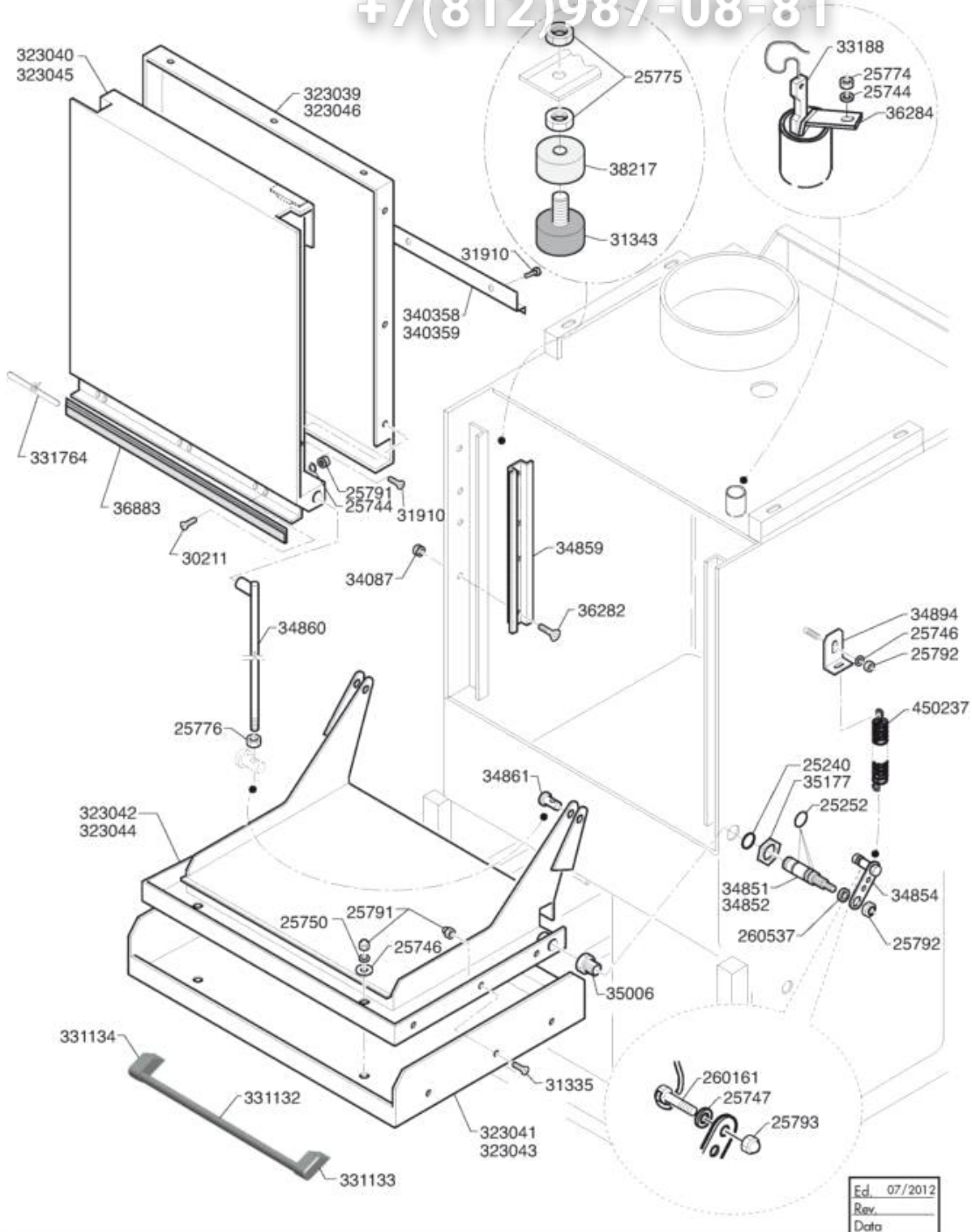
Code	Description
38573	SUPPORTO TARGA COM.HD con PRIG
450516	THERMOSTAT SHIELD FOR 2 TERMOSTATS
450821	SPRING CLIP FASTENER LS.NU 25 59" 511A"
460502	GASKET 30X21X2 C34-R ASBESTOS(1/2")
463303/02	DOX SYSTEM HD 60 BT
463303/03	DOX SYSTEM HD 80 BT
463304/02	DOX SYSTEM HD 67 BT
463304/03	DOX SYSTEM HD 83 BT

vsezip.ru

7(812)987-08-81

vsezip.ru

+7(812)987-08-81



vsezip.ru

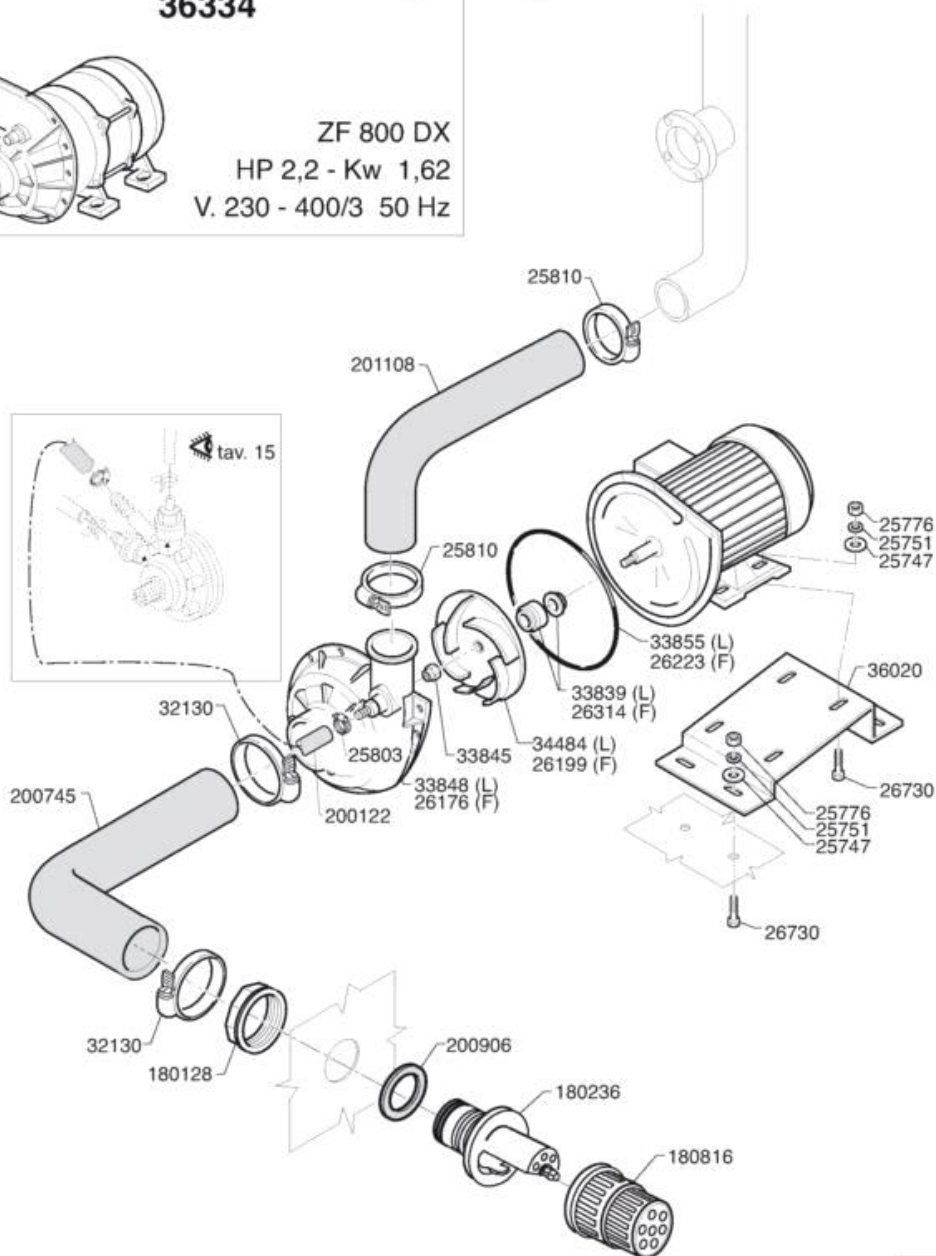
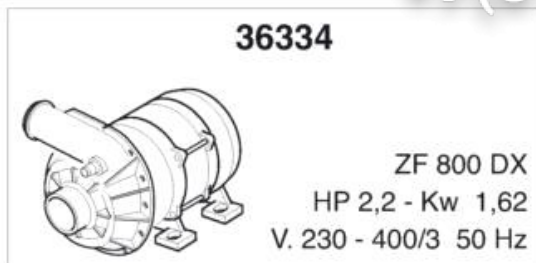
+7(812)987-08-81

Code	Description
25240	GASKET OR 121
25252	GASKET OR 108
25744	SPACER, FLAT, DIAM.5
25746	SPACER, FLAT, DIAM.6/18
25747	SPACER, FLAT, DIAM. 8
25750	SPACER, SPLITTED, DIAM. 6
25774	NUTS 5 MA
25775	NUT 6 MA
25776	NUTS 8 MA SS 18/8
25791	SELF-LOCKING NUT 5 MA LOWER SIDE
25792	SELF-LOCKING NUT 6 MA LOWER SIDE
25793	SELF-LOCKING NUT 8 MA LOWER SIDE
260161	SPECIAL SCREW
260537	S.S. FLAT WASHER D13X20X0, 8-6592
30211	HEX.HD. SCREW 5 X 12
31335	BEVEL-HD SCREW 5X8, SPECIAL
31343	SHOCK ABSORBER, DOOR ED 630/90
31910	HALF-ROUND SCREW 5 X 8T
323039	BACK COVER FOR UPPER DOOR GE60
323040	UPPER DOOR, EDI 6 - 2°
323041	LOWER DOOR GE60-65
323042	BACK COVER FOR LOWER DOOR GE60
323043	LOWER DOOR GE80
323044	BACK COVER FOR LOWER DOOR GE80
323045	UPPER DOOR, EDI 8 - 2°
323046	BACK COVER FOR UPPER DOOR GE80
331132	HDBT HANDLE
331133	SUPPORT HANDLE DX HDBT(LUCID)
331134	SUPPORT HANDLE SX HDBT(LUCID)
331764	FIXING PLATE GASKET for DOOR EDI
33188	MAGNETIC SENSOR
340358	BRACKET GE65
340359	BRACKET GE80
34087	FLANGED NUT M5 A2 DIN 6923
34851	DOOR PIVOT, EDI, LEFT
34852	DOOR PIVOT, EDI, RIGHT
34854	COMPENSAT.LEVER FOR DOOR EDI
34859	UPPER DOOR GUIDE, EDI
34860	DOOR-RAIS. STAY, UPPER, EDI
34861	DOOR-RAIS. STAY PIVOT, EDI
34894	SPRING CLIPPING BRACKET, EDI
35006	BUSH, HOUSING, SERIES EDI
35177	NUT 3/8"G SS
36282	SCREW TC 5 X 30 SS DIN7985 A2
36284	MAGNET FIXING PLATE

Code	Description
36883	GASKET FOR DOOR 10x16 sh50
38217	CAPSULA INOX x AMMORT. PORTA ED
450237	DOOR SPRING GE

vsezip.ru

87(812)987-08-81

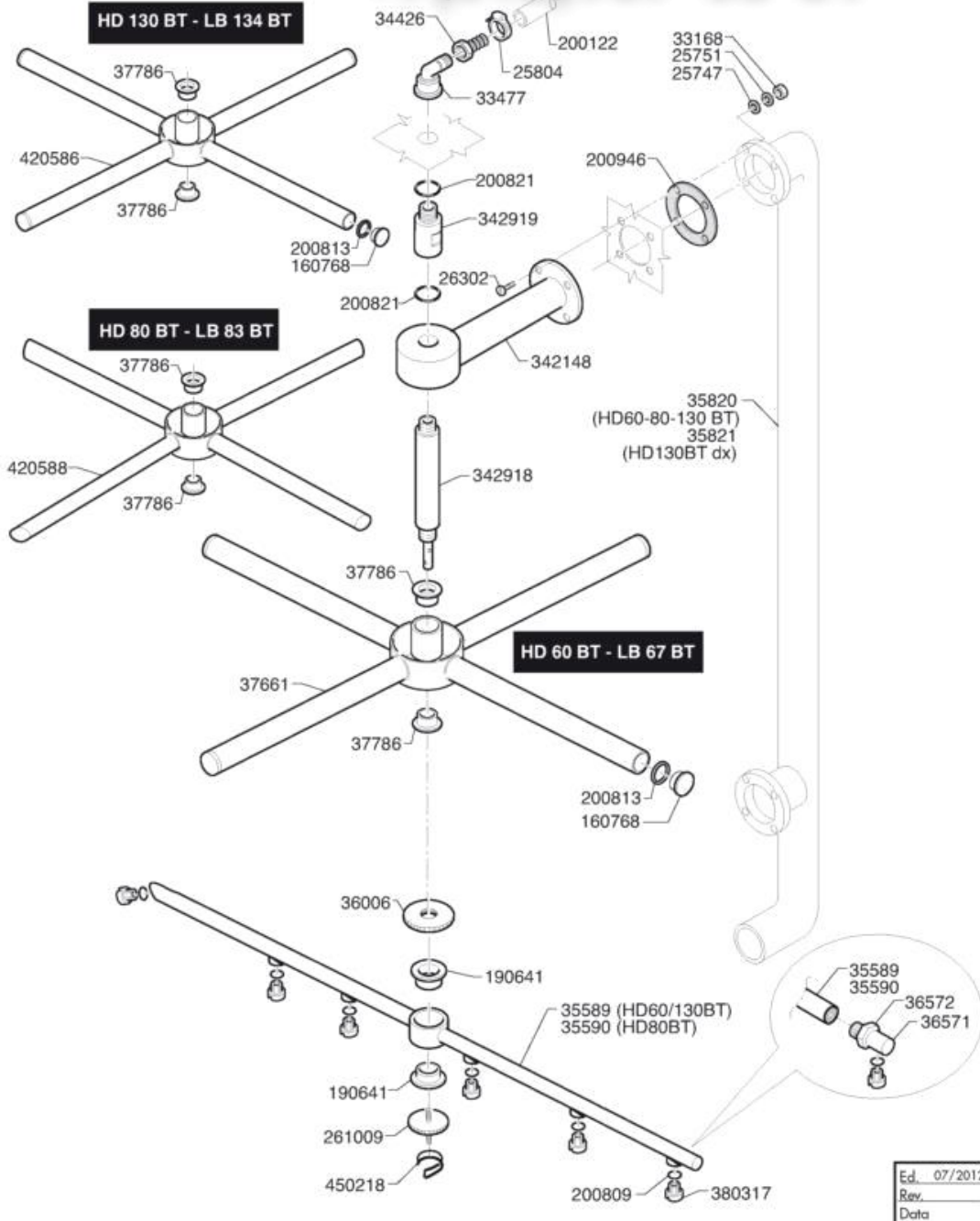


Ed.	07/2012
Rev.	
Data	

vsezip.ru

+7(812)987-08-81

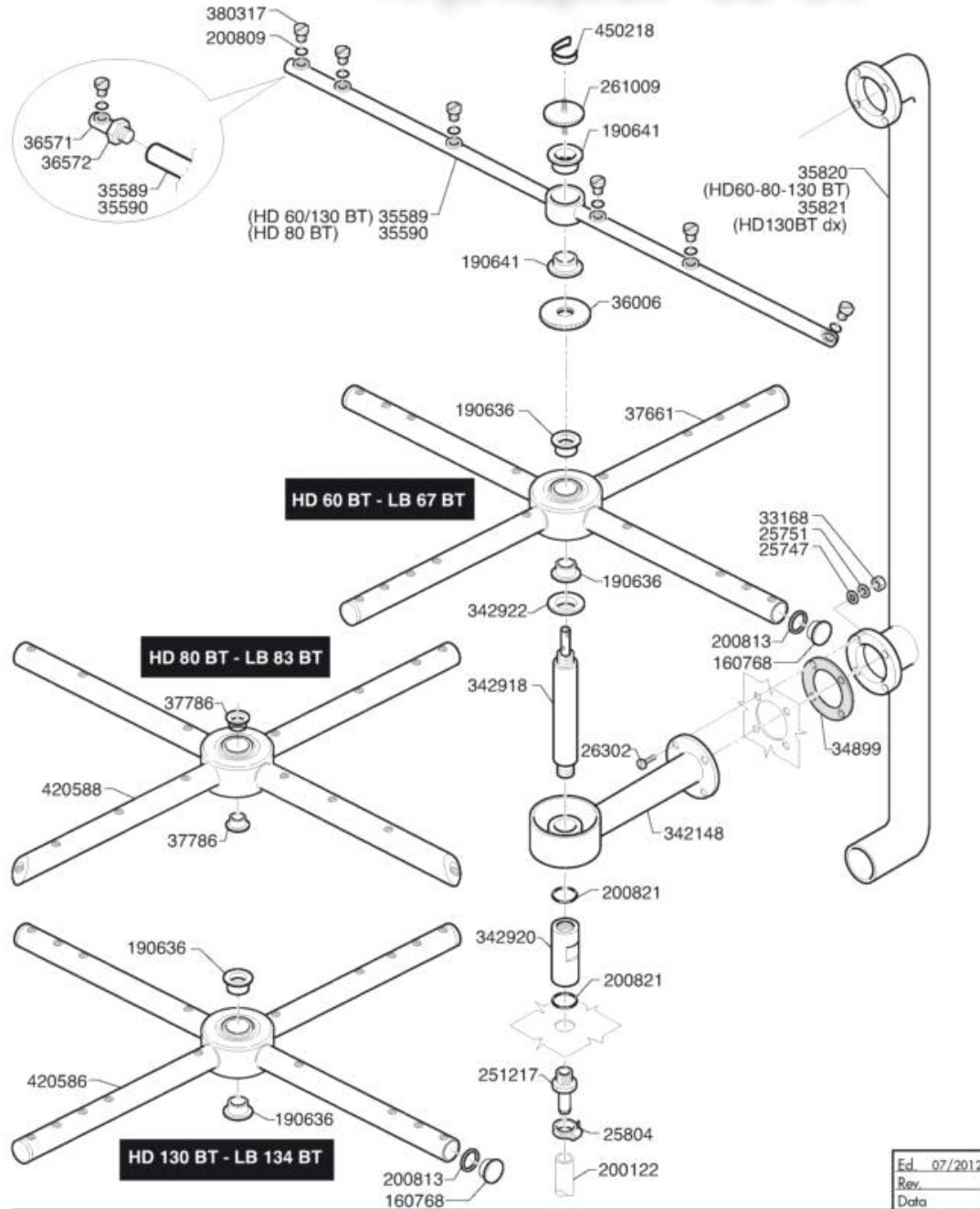
Code	Description
180128	RING NUT 65,4 C140 C85-155
180236	PUMP SUCTION FOR AC 94
180816	STRAINER, SUCTION PUMP D.82 AC94
200122	HOSE 11X19
200745	PRE-WASH INLET HOSE SNL
200906	GASKET D.92X66X2
201108	DELIV.SLEEVE GE755 (HV35020)
25747	SPACER, FLAT, DIAM. 8
25751	SPACER. SPLITTED, DIAM. 8
25776	NUTS 8 MA SS 18/8
25803	HOSE CLIP 13-20 ABA
25810	HOSE CLIP 55-70
26176	COVER, WASH PUMP HP 3 RIGHT
26199	IMPELLER WASH P.HP2 DX OPENED
26223	GASKET, COVER PUMP
26314	SHAFT SEAL, WASH PUMP HP 1,5/2
26730	SCREW TE M 8 X 20
32130	HOSE CLIP 60-80
33839	MECH. SEAL PR/AR 13 BEFF
33845	NUT M8, RIGHT H=5 MM
33848	PUMP HOUS.ZF650 RIGHT A60/M50 HOSE
33855	GASKET OR. 158.34*3.53
34484	IMPELLER 120 6-BLADE, RIGHT ZF 800
36020	WASH PUMP SUPPORT.PLATE, EDI
36334	ELECTR.HP 2,2Right 230/400V3 50Hz



Code	Description
160768	PLUG FOR REVOLV.WASH ARM "C"
190641	BUSH FOR "C" RINSE ARM V.S
200122	HOSE 11X19
200809	OR GASKET 1,78X7,66X11,21 VITON
200813	OR GASKET 2,21X16,36X20,78
200821	O-RING 2,62X20,63
200946	GASKET WASH COLUMN GE
25747	SPACER, FLAT, DIAM. 8
25751	SPACER. SPLITTED, DIAM. 8
25804	HOSE CLIP 15-24 ABA
261009	RETAIN.SCREW FOR WASH-RINSE ARM
26302	HEX HD.SCREW M6X35, STAINLESS S.
33168	BLIND NUT 8 MA
33477	ELBOW FEM/FEM. 3/8 1/4 C140-155
342148	LUG, REV. WASH ARM SUPPORT G ANNO 2010
342918	SHAFT ARM G 2010 (37244)
342919	UPPER RINSING ARM EXTENSION GE 2010
34426	PIPE UNION 1/4 G FOR C90
35589	REVOLV. RINSE ARM, EDI 6/13 -2°
35590	REVOLV. RINSE ARM, EDI 8 - 2°
35820	WASH DELIV.PIPE EDI 2°
35821	WASH DELIV.PIPE, RIGHT, EDI 13 2°
36006	S.S.304 BUSHING, REVOLV.WASHARM
36571	FEED PIPE REG. , RINSE ARM EDI
36572	NUT M14x1RINSE ROTATION ARM EDI
37661	WASHARM C 98 2007
37786	SPRING BUSH, WASHARM C90E
380317	NEBULIZZ. OV 1/8" 303 125lt 80
420586	WASHARM XGE605
420588	WASHARM XGE805
450218	SPRING F.RINSE ARM RETAIN.SCREW C95

vsezip.ru

+7(812)987-08-81



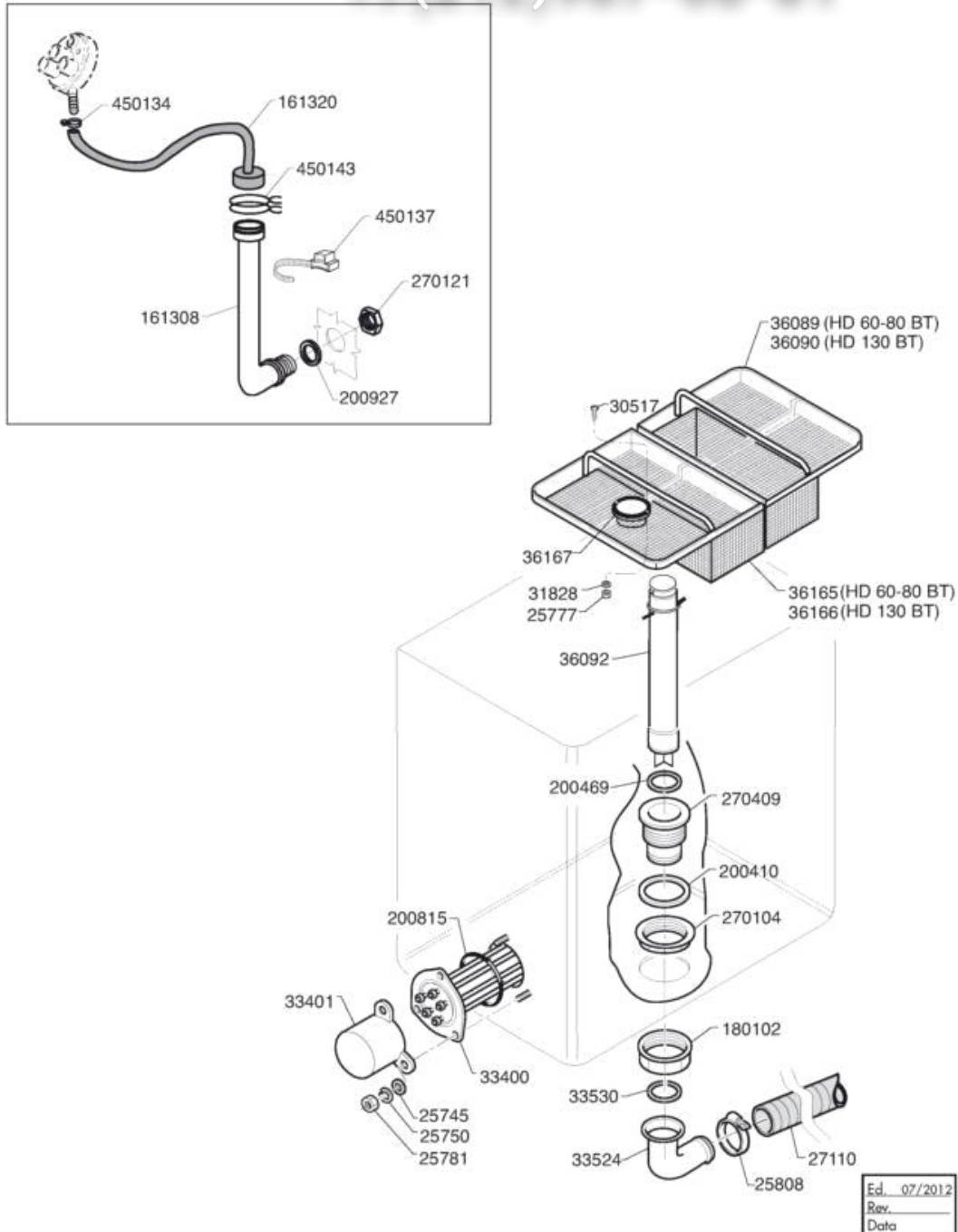
Code	Description
160768	PLUG FOR REVOLV.WASH ARM "C"
190636	BUSH FOR "C" WASH ARM
190641	BUSH FOR "C" RINSE ARM V.S.
200122	HOSE 11X19
200809	OR GASKET 1,78X7,66X11,21 VITON
200813	OR GASKET 2,21X16,36X20,78
200821	O-RING 2,62X20,63
251217	ST/ST NIPPLE 3/8
25747	SPACER, FLAT, DIAM. 8
25751	SPACER. SPLITTED, DIAM. 8
25804	HOSE CLIP 15-24 ABA
261009	RETAIN.SCREW FOR WASH-RINSE ARM
26302	HEX HD.SCREW M6X35, STAINLESS S.
33168	BLIND NUT 8 MA
342148	LUG, REV. WASH ARM SUPPORT G ANNO 2010
342918	SHAFT ARM G 2010 (37244)
342920	LOWER RINSING ARM EXTENSION GE 2010
342922	DISTANCE PIECE F.RINSE ARM ASS
34899	GASKET FOR DELIV.HOSE FLANGE, EDI
35589	REVOLV. RINSE ARM, EDI 6/13 -2°
35590	REVOLV. RINSE ARM, EDI 8 - 2°
35820	WASH DELIV.PIPE EDI 2°
35821	WASH DELIV.PIPE, RIGHT, EDI 13 2°
36006	S.S.304 BUSHING, REVOLV.WASHARM
36571	FEED PIPE REG. , RINSE ARM EDI
36572	NUT M14x1RINSE ROTATION ARM EDI
37661	WASHARM C 98 2007
37786	SPRING BUSH, WASHARM C90E
380317	NEBULIZZ. OV 1/8" 303 125lt 80
420586	WASHARM XGE605
420588	WASHARM XGE805
450218	SPRING F.RINSE ARM RETAIN.SCREW C95

vsezip.ru

7(812)987-08-81

vsezip.ru

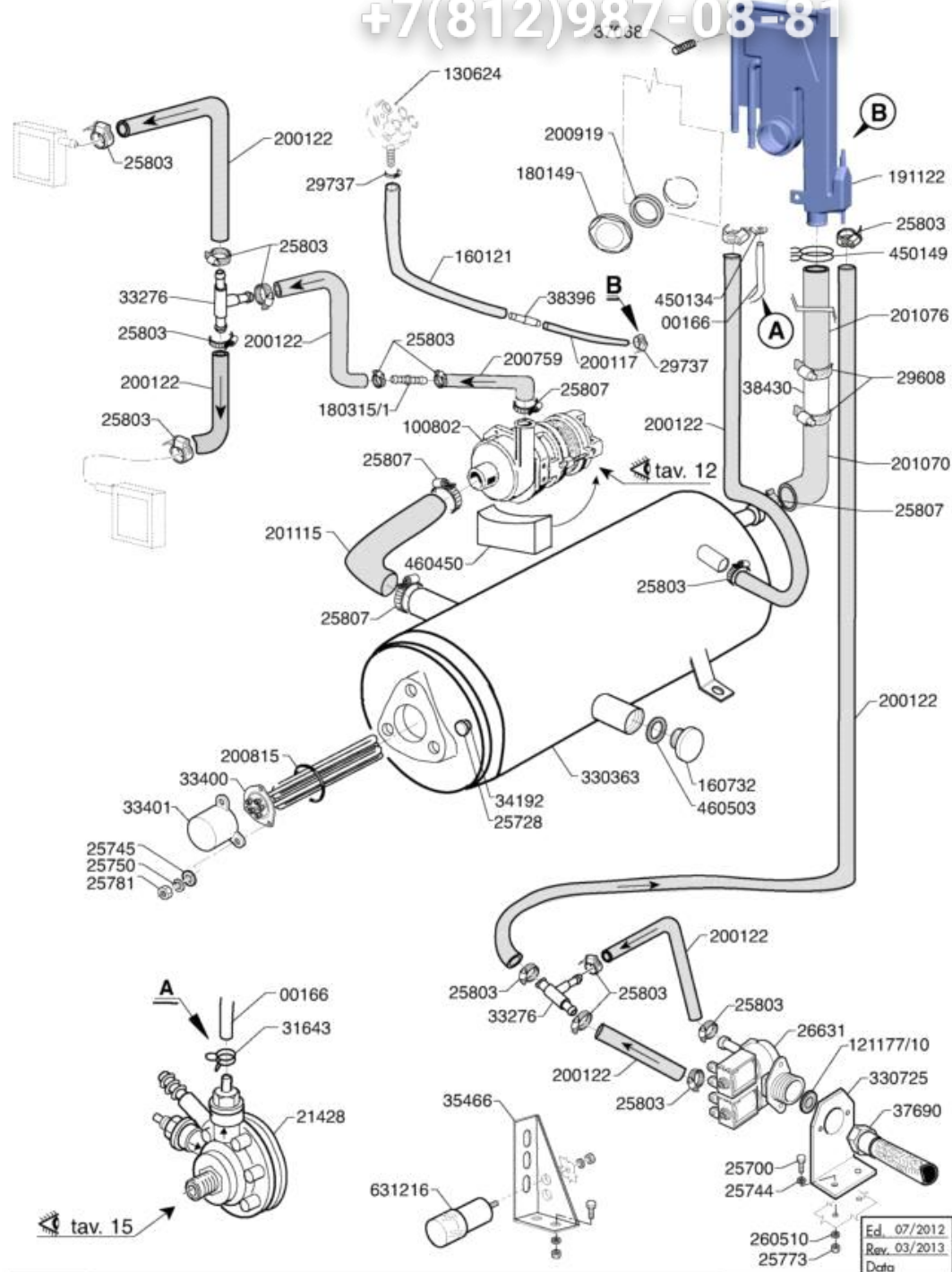
+7(812)987-08-81



Code	Description
161308	PRESS.SWITCH AIR CHAMBER C95-155
161320	HOSE,PRESS.SW.AIR TRAP C 2001
180102	NUT FOR DRAIN 1"1/2 (33326)
200410	DRAIN OUTL.WASH.1 1/2"65X47X3
200469	GASKET LIPS 45X35.5X7
200815	OR GASKET 6X56X68 \neq Ç
200927	GASKET FOR PRESS.SWITCH AIR TRAP C9
25745	SPACER, FLAT, DIAM.6
25750	SPACER, SPLITTED, DIAM. 6
25777	NUTS 3 MA
25781	NUTS 6 MA, THREADED/ZINCATED
25808	HOSE CLIP 27-51CLAM
270104	LOCK NUT 1" 1/2, BRASS, AC-ACR
270121	NUT FOR AIR TRAP AC-"C"
270409	DRAIN OUTLET 1"1/2 AC-ACR-NE
27110	DRAIN HOSE DIAM.33X1500
30517	BEVEL, CROSS-SLOT HD.SCREW TS 3 X 1
31828	DENTED ROUND SPACER, EX ? 3
33400	HEAT.EL.FL.6000W 220/380V (110349)
33401	COVER, HEATING ELEMENT H 50 (HIGH)
33524	ELBOW 1"1/2, DRAIN N-S-F-C
33530	DRAIN GASKET 1"1/2 45X33X3
36089	BASKET-FILTER, REAR, EDI 6-8 2°
36090	BASKET-FILTER, REAR, EDI 13 2°
36092	OVERFLOW TUBE EDI 2° H=534
36165	BASKET-FILTER, FRONT, EDI 6-8 2°
36166	BASKET-FILTER, FRONT, EDI 13 2°
36167	GUIDE FITTING, OVERFL.TUBE EDI 2°
450134	ELASTIC HOSE CLIP 2-WIRE D.9,3/8,8
450137	COLLAR COUPLING WITH BASE 31900
450143	CLAMP , 2-WIRE, D.39,7 X 37,7

vsezip.ru

87(812)987-08-81



vsezip.ru

7(812)987-08-81

Code	Description
00166	ROLL TUBE TRANSP. 4X7
100802	PUMP HP 0,3 230V 50HZ
130624	PRESSURE SWITCH 110/70
160121	HOSE, BLACK RUBBER D. 5 X 9
160732	BLACK CLOSING PLUG
180149	RING NUT, AIR GAP TANK H191095
191122	TANK AIR GAP BT 2011
200117	RUBBER HOSE 8X16, INDUSTR,10
200122	HOSE 11X19
200759	DELIVERY HOSE FOR ECORINSE AC-ACR
200815	OR GASKET 6X56X68 =/= Ç
200919	GUARNIZIONE x PILETTA ASP.FC
201070	HOSE
201076	RUB.HOSE, BT-TEE
201115	PUMP INLET HOSE HD60/80BT
21428	RINSE AID DISPENSER, (2-28252)
25700	SCREW CHEESE-H. 4 X 8 KNURLED
25728	SCREW HEX.HD M 8 X 10 SS
25744	SPACER, FLAT, DIAM.5
25745	SPACER, FLAT, DIAM.6
25750	SPACER, SPLITTED, DIAM. 6
25773	NUTS 4 MA SS 18/8
25781	NUTS 6 MA, THREADED/ZINCATED
25803	HOSE CLIP 13-20 ABA
25807	HOSE CLIP 26-38 ABA
260510	GROWER WASHER D.4
26631	SOLENOID V., DOUBLE 3/4"
29608	HOSE CLIP 17-32CLAM
29737	FE-ZN CLAMP 9 - 12
31643	HOSE CLIP 7,3-7,8
330363	BOILER "BT"
330725	STANDARD BRACKET F.SOLEN.VALV
33276	T-SHAPED CONNECTOR ?11,5-PART180413
33400	HEAT.EL.FL.6000W 220/380V (110349)
33401	COVER, HEATING ELEMENT H 50 (HIGH)
34192	SEAL WASHER
35466	PLATE PUMP 60 BT
37068	Welded and threaded stud 5 x 25
37690	Inlet Hose, Plait. Stainless 3/4" Wras
38396	RACCORDO DRITTO A PORTAGOMMA
38430	HOSE STEEL D.26,9x12x70mm.
450134	ELASTIC HOSE CLIP 2-WIRE D.9,3/8,8
450149	CLAMP , 2-WIRE, D.34.6x36.4
460450	DIST. D.150
460503	SEALING WASHER 38X27X2(3/4)ASBESTOS

Code
631216

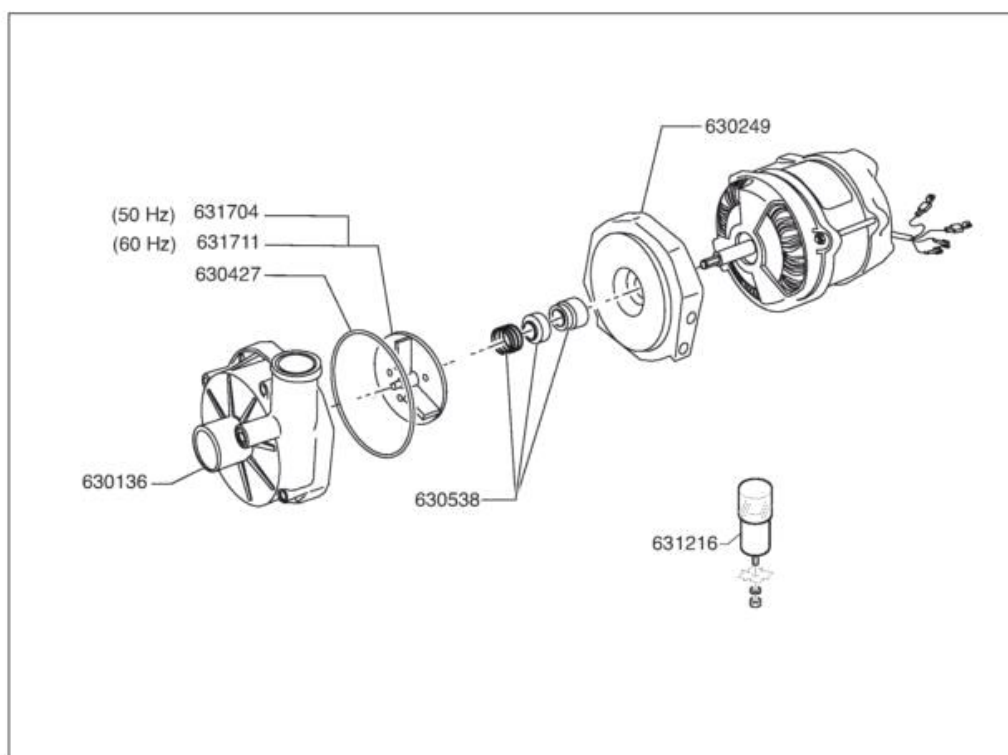
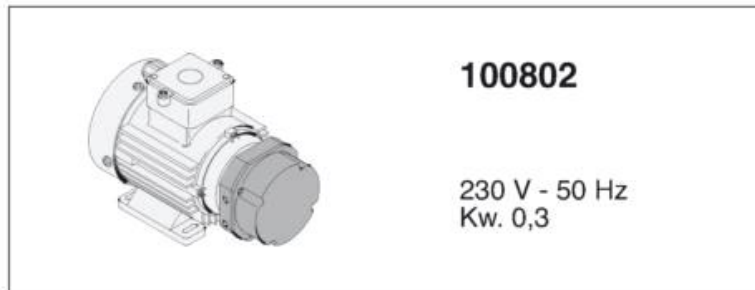
Description
CAPACITOR 6.3 MF 450V

vsezip.ru

+7(812)987-08-81

vsezip.ru

+7(812)987-08-81



Ed.	07/2012
Rev.	
Date	

Code	Description
100802	PUMP HP 0,3 230V-50HZ
630136	PUMP VOLUTE LGB ZF131DX
630249	PUMP FLANGE ZF131 DX
630427	O-RING FOR PUMP ZF131DX
630538	SEAL LGBZF131DX
631216	CAPACITOR 6.3 MF 450V
631704	PUMP IMPELLER ZF131DX
631711	IMPELLER LGB ZF131DX 60HZ D.66

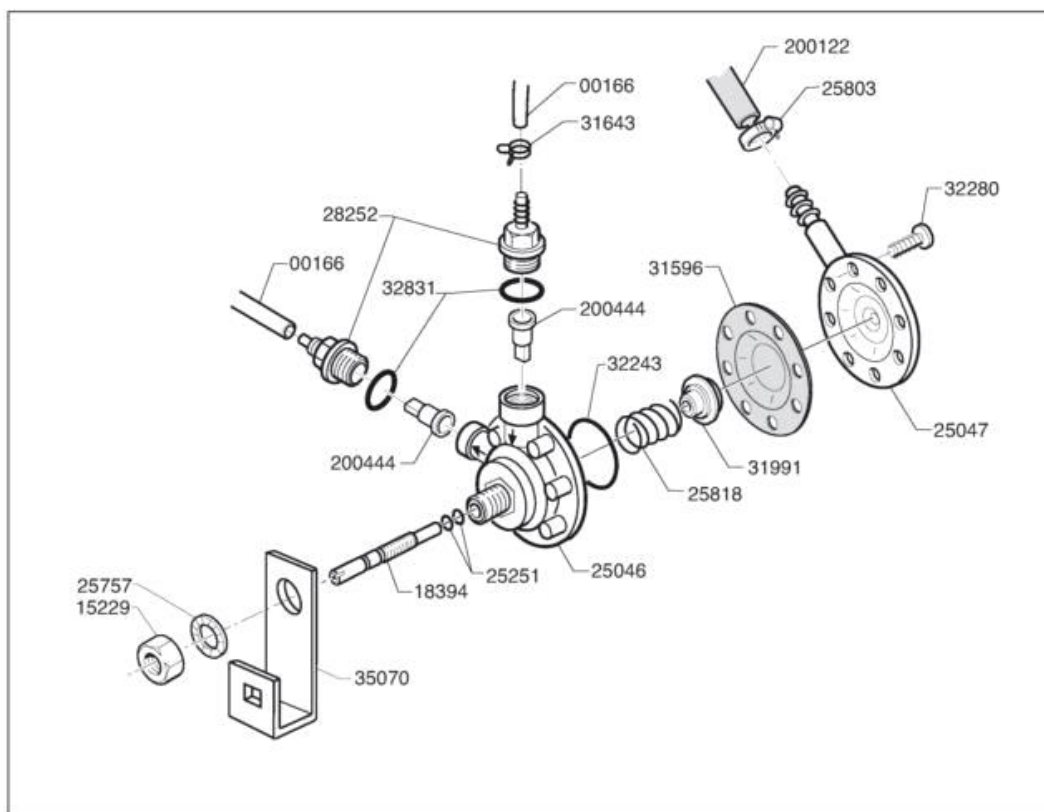
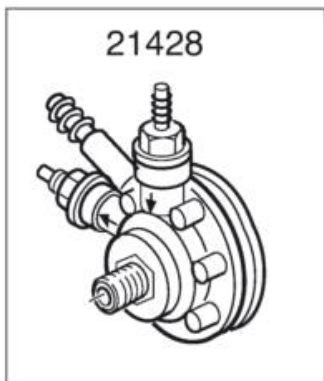
vsezip.ru

+7(812)987-08-81

Code	Description
110502	CONNECT.WIRES, MOD2 x TASTeTERM.2mt
110503	CONNECT.WIRES, MOD2 x TASTeTERM.2mt
110504	CONNECT. CABLE 2500 mm. 10 POLI
120477	CONTACTOR ABB 9A 220V 50/60HZ
120495	RELAY 16A 220V
120519	THERMOST.95-125°SAFETY.LS1 C-G-S
120864	THERM.RELAY ABB 4,5-6,5A
121312	PCB HD/GE ANNO2010
121316	HORIZ. CONTR. KEYBOARD +4T/LB
121323	TEMPERATURE CONTROL PANEL
130624	PRESSURE SWITCH 110-70
130635	PRESSURE SWITCH RATED 190/40
150233	3POLI TERMINAL 16mmq siemens
150234	SINGLE TERMINAL 16 mmq siemens
150710	FUSE HOLDER 10,3X38 ART.21401
150862	Protection shield for the passage of the conn.wire
160537	ELECTRONIC CARD SPACER
160560	SUPPORT RELE FIND. 062.07 DIN
160567	ELEC. CARD SPACER H3 TIPO RRSN-52100
161214	BOX FOR CONTROL PANEL IP56 GEWISS GW44211
161217	PROTECTION FOR ELECTR. KEYBOARD CAR
191040	THERMOSTAT KNOB SHIELD
200433	FOAM RUBBER, ADHESIVE, 6X2,5 NEOPR.
200982	GASKET HDBT
25417	THERMOSTAT 30-90ø MT. 2
25777	NUTS 3 MA
260238	SCREW SS "TB" 4x10
29737	FE-ZN CLAMP 9 - 12
31828	DENTED ROUND SPACER, EX ? 3
323248	PANEL COM. LATER. DX HD60/80/130
332390	BRACKET GE
35070	BRACKET, RINSE AID DISPENSER EDI
35567	PROBE TEMP. NTC 3.3K YELLOW
37013	RONDELLA PIANA M3 NWE34815-M3
37084	DADO NYLON M3 NNE34814M3
38006	FLAT SPACER M4x12 DIN9021A2
38071	TERMOSTATO 2 TEMP. S&RIND
38573	SUPPORTO TARGA COM.HD con PRIG
450291	SPRING FOR ELECTRONIC TIMER H37332
450315	KNOB F. THERMOSTAT 90°
460121	"EARTH" PLATE
460287	TAG F. TERM. BOARD LINE C
463302	CONTROL BOARD HD BT
463305	CONTROL BOARD LB BT
631209	DISTURB.FILTER 411.13.5001(31324)

vsezip.ru

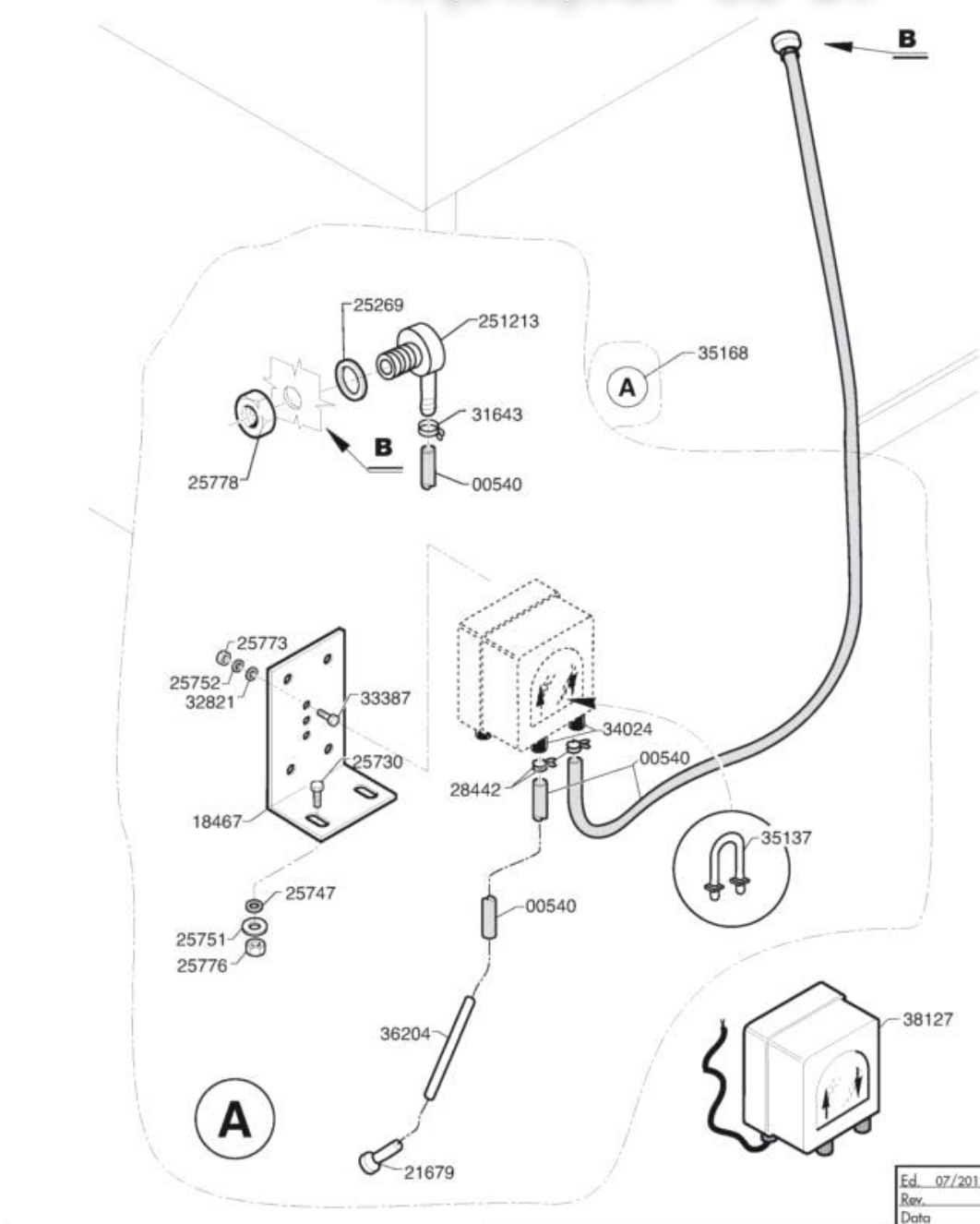
8121987-08-81



Ed.	07/2012
Rev.	
Data	

vsezip.ru

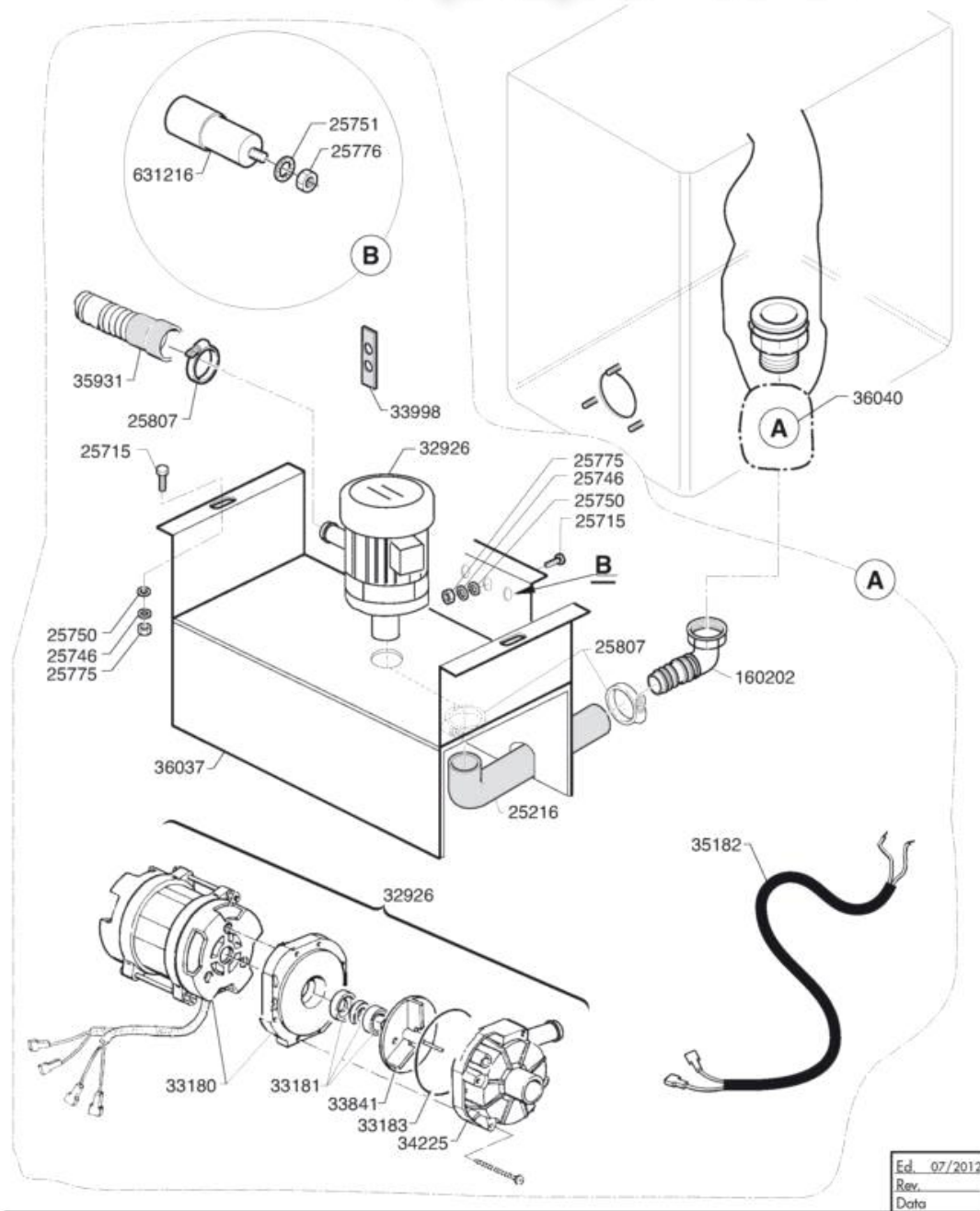
Code	Description
00166	ROLL TUBE TRANSP. 4X7
15229	LOCK NUT AID DISPENSER
18394	SCREW CONTROL DISPENSER
200122	HOSE 11X19
200444	SUCTION VALVE RINSE INJECTOR
21428	RINSE AID DISPENSER, (2-28252)
25046	UPPER DISPENSER ASSEMBLY
25047	LOWER DISPENSER ASSEMBLY
25251	GASKET OR 2012
25757	TOOTHED SPACER DIAM. 12 D.E.D787
25803	HOSE CLIP 13-20 ABA
25818	CYLINDER SPRING (WIRE)
28252	FITTING SUCTION DISPENSER
31596	DIAPHRAGM, DISPENSER
31643	HOSE CLIP 7,3-7,8
31991	SPRING GUIDE FOR DISPENSER
32243	GASKET OR 3156
32280	OVAL HD. CROSS-SL. SCREW 4 X 13
32831	GASKET OR 2062
35070	BRACKET, RINSE AID DISPENSER EDI



Code	Description
00540	RED TUBE 8X4 ROLL
18467	HOLDING SUPP. PUMP DISPENS.
21679	FILTER DET.-RINSE A.D.PREASS.
251213	DETERG. PUMP FITTING
25269	FLAT GASKET
25730	SCREW HEX.HD M 8 X 25
25747	SPACER, FLAT, DIAM. 8
25751	SPACER. SPLITTED, DIAM. 8
25752	TOOTHED SPACER DIAM.4 D.E.
25773	NUTS 4 MA SS 18/8
25776	NUTS 8 MA SS 18/8
25778	NUTS 12 M 18/8 ss
28442	WIRE CLIP
31643	HOSE CLIP 7,3-7,8
32821	FLAT WASHER DIAM 5,5/15
33387	HEX.HD SCREW 4X16 SS A2 UNI 5739
34024	PIPE UNION 4X6 X LIQ/FLU VS5562
35137	PUMP HOSE DET.SEKO PG3
35168	ACCESSOR.KIT, DETERG.PUMP, EDI
36204	SINGLE COUNTERWEIGHT, DETERGENT HOS
38127	POMPA PERISTALTICA SEKO PR 7

vsezip.ru

+7(812)987-08-81



Code	Description
160202	DOUBLE INTAKE ELBOW
25216	DRAIN SLEEVE 50-52-T4(T5)
25715	SCREW HEX.HD M.5 X 13 SS
25746	SPACER, FLAT, DIAM.6/18
25750	SPACER, SPLITTED, DIAM. 6
25751	SPACER. SPLITTED, DIAM. 8
25775	NUT 6 MA
25776	NUTS 8 MA SS 18/8
25807	HOSE CLIP 26-38 ABA
32926	DRAIN WASH PUMP HP0,15 50/60 HZ
33180	PUMP BODY (32926) LGB
33181	SHAFT SEAL C3 (LGB)FOR PUMP CODE 32
33183	GASKET OR 75,87X2,62 LGB
33841	IMPELLER DIAM.73, 3-BLADE, M7SX
33998	VIBR.PROOF RUBBER GASK. FOR PUMP
34225	PUMP COVER 2212303/HO
35182	CABLE LOOM, DRAIN PUMP EDI
35931	DRAIN PIPE, DIA.24X2500
36037	SUPP.PLATE, DRAIN PUMP EDI 2°
36040	KIT: DRAIN PUMP EDI 6/8/13 2°
631216	CAPACITOR 6.3 MF 450V

vsezip.ru

87(812)987-08-81