

Зип Общепит

Amika

vsezip.ru

+7(812)987-08-81

EUROTEC s.r.l viale Europa 24 - 37045
S.Pietro di Legnago (VR) ITALY



**SPARE PARTS CATALOGUE
ERSATZTEILKATALOG
CATALOGUE PIECES DETACHEES
CATALOGO PARTI RICAMBIO
CATALOGO DE PIEZAS DE RECAMBIO
CATALOGO PECAS, DE REPOSICAO**

Catalogo parti di ricambio valido
dalla matricola 0000001 (01.10.2013) ad oggi (27.07.2020)

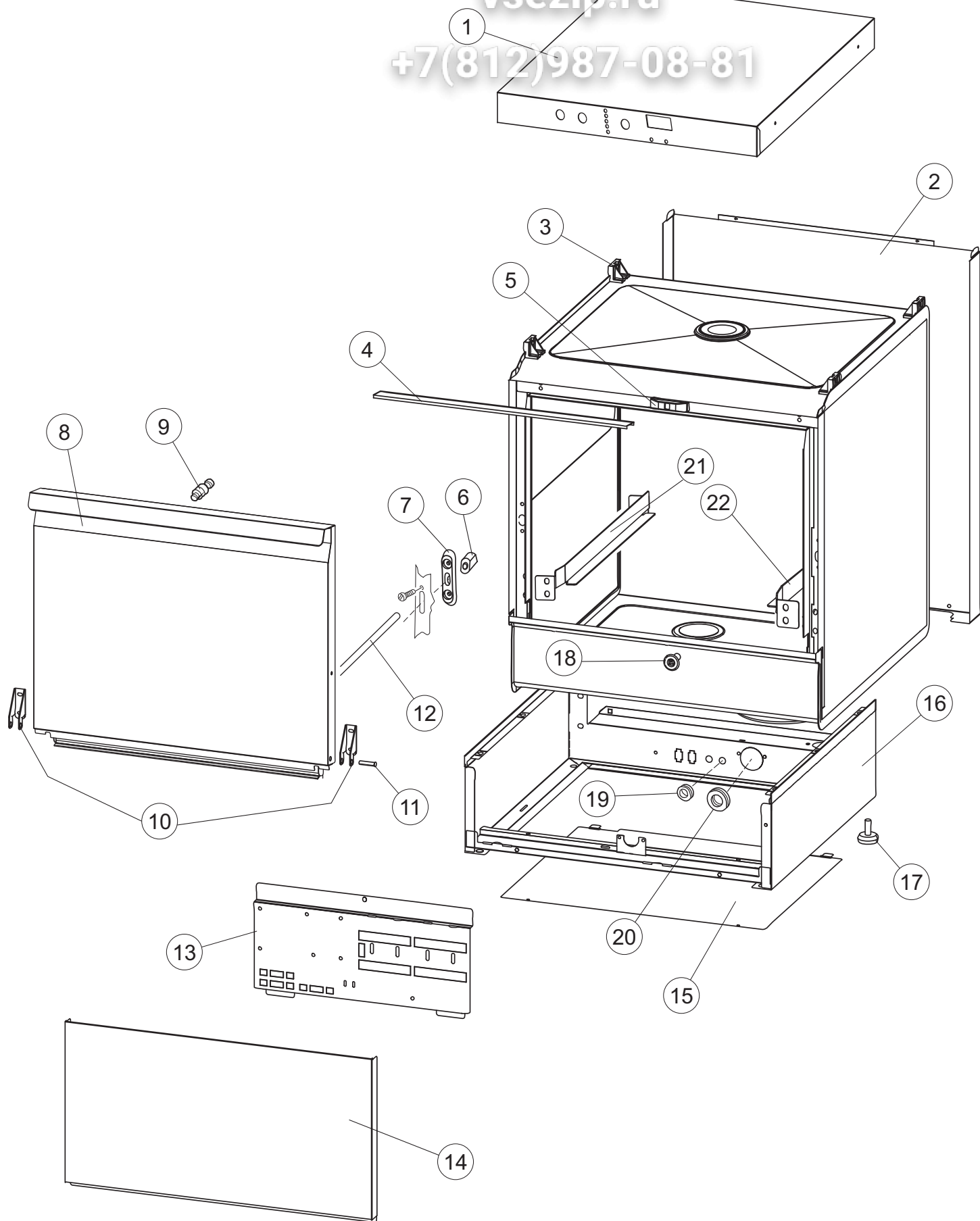
Catalogue pieces detachees
du numero de Série n. 0000001 (01.10.2013) jusqu'à aujourd'hui (27.07.2020)

Ersatzteilkatalog
gültig ab Serien-Nr. 0000001 (01.10.2013) bis heute (27.07.2020)

Spare parts catalogue
valid from serial no. 0000001 (01.10.2013) up today (27.07.2020)

Catálogo de peças de reposição
válido do número de série 0000001 (01.10.2013) até hoje (27.07.2020)

261XL



Listino componenti per pagina 1

Зип Общепит

vsezip.ru

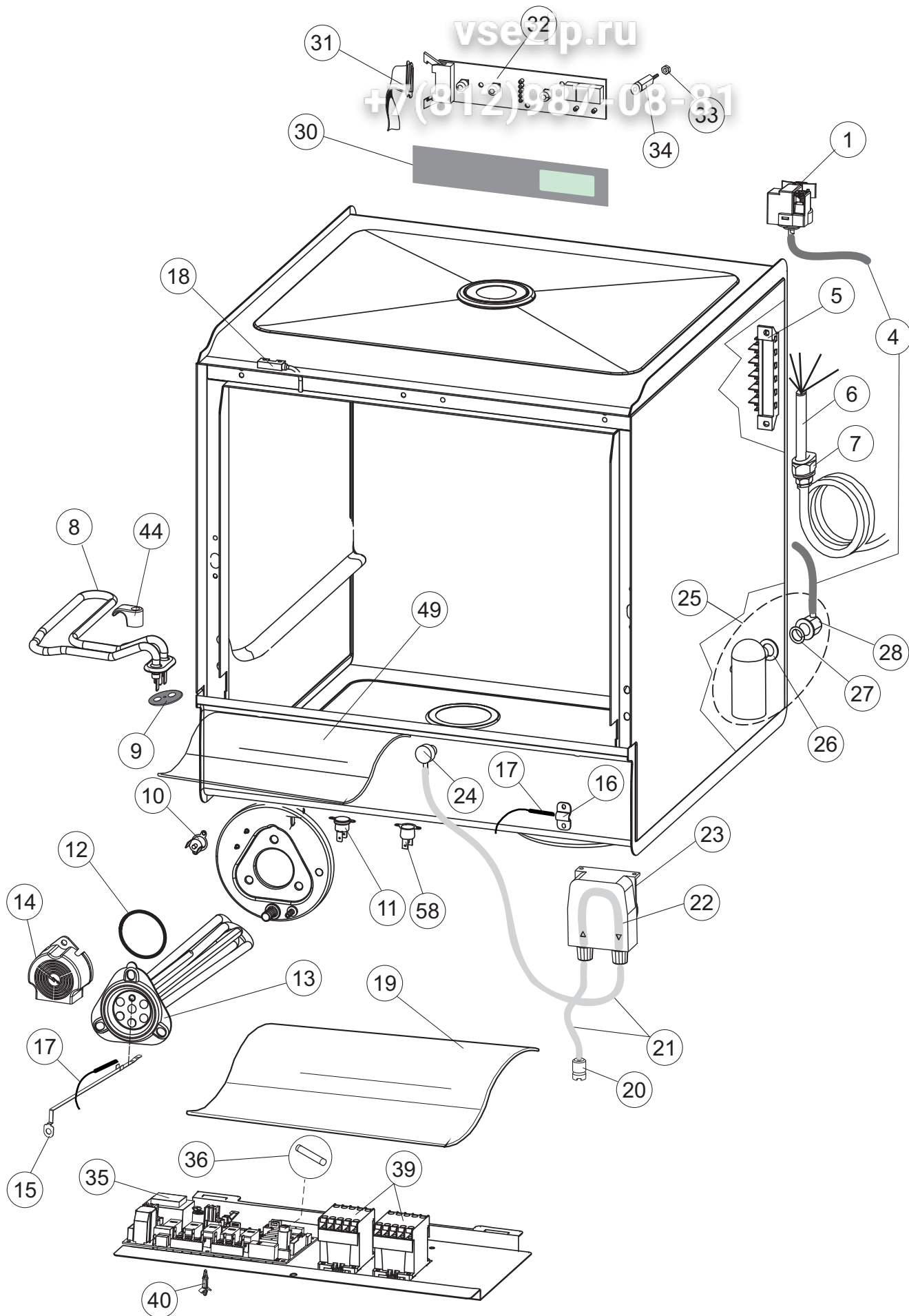
+7(812)987-08-81

1	004262	PANNELLO SUPERIORE HAUT PANNEAU OBER PANEEL TOP PANEL panel superior	
2	022159	PANNELLO POSTERIORE PANNEAU ARRIERE HINTERPANEEL BACK PANEL PANEL TRASERO	
3	035113	STAFFA ASSEMBLAGGIO PANNELLI console de support BÜGEL support bracket ménsula de soporte	
4	437081	GUARNIZIONE SPORTELO 50/505 JOINT PORTE 50/505 DICHTUNG, TÜR - 50/503 DOOR GASKET 50/505 JUNTA PUERTA - 50/503	
5	994012	SERRATURA PER SPORTELO PER LAVASTOVI- FERMETURE PORTE POUR LAVE-VAISSELLES SCHLOSS EB/F 22/44 DOOR LOCK FOR DISHWASHERS GRUPO CERRADURA EB/F 22/44	
6	417041	DADO BATTUTA SPORTELO ECROU DE FEUILLURE PORTE POUR LAVE- SCHRAUBENMUTTER, TÜRANSCHLAG DOOR CLOSING CONTACT BETA 50 (S6198) TUERCA TOPE PUERTA	
7	307003	BATTUTA DADO ASTA SPORTELO ECROU TIGE ARRETR PORTE ANSCHLAG, SCHRAUBENMUTTER FÜR STAB NUT OF TOP DOOR-STOP BAR TOPE TUERCA VARA	
8	029721	SPORTELO PORTE TÜR DOOR PUERTA	
9	325066	PIOLO SERRATURA SPORTELO ECHELON FERMETURE PORTERRES PFLOCK, SCHLOSS BETA 246/250 DOOR CLOSURE STAKE FOR GLASSWASHERS BARROTE CERRADURA BETA 246/250	
10	311019	CERNIERA PORTA D18/G25 CHARNIERE PORTE D18/G25 SCHARNIER, TÜR 45/46/50.. DOOR HINGE D18/G25 (S6662) BISAGRA PUERTA 45/46/50. .	
11	325036	PERNO PER CERNIERA SPORTELO PER PIVOT ZAPFEN, TÜRSCHARNIER 50 PIVOT PERNO	
12	304021	ASTA TIRANTE SPORTELO PER LAVASTOVIGLIE AXES TIRANT POUR PORTE POUR LAVE- VAISSELLE STANGE, TÜRSCHIENE 50/500/453/463/503 DOOR TIE ROD FOR DISHWASHER (S6323) VARA GUIA PUERTA 50/500/453/463/503	
13	035112	PANNELLO COMPONENTI ELETTRICI PANNEAU COMPOSANTS ELECTRIQUES BEF.WINKEL WIRING PANEL PANEL COMPONENTES ELECTRICOS	
14	012338	PANNELLO ANTERIORE PANNEAU AVANT FRONTPANEEL FRONT PANEL PANEL FRONTAL	
15	030195	PROTEZIONE INFERIORE PER ZOCCOLO PROTECTION INFERIEURE POUR SOCLE POUR LAVE-VERRES UNTERSCHUETZ DES FUESSES UNDERPROTECTION FOR BASIS OF GLASS- WASHER PROTECCION INF. BASE	

16	040123	BASE TELAIO LA500 BASE CHASSIS LA500 SOCKEL, MONTIERT BASE FRAME LA500 BASE DEL BASTIDOR LA500	
17	461019	PIEDINO ESAGONALE REGOLABILE PER LAVAVERRIN HEXAGONAL REGLABLE POUR LAVAVERRIN HEXAGONAL REGLABLE POUR LAVAVERRIN VERSTELLFUSS D30 M8 HEXAGONAL FOOT ADJUSTABLE FOR DISHWASHER PATA REGULABLE D30 M8	
18	480153 <i>Recommended spare parts</i>	TAPPO BOUCHON VERSCHLUSS AUS GUMMI D.12 PLUG TAPON	
19	459006	PASSACAVO D INT 9 D EST 16 CHAUMARD D INT 9 EST 16 KABELDURCHGANG, Di9/De16 22 CHOCK D INT 9 EST 16 PASA-CABLE Di9/De16 22	
20	459004	PASSACAVO PER POMPA DI SCARICO CHAUMARD POUR POMPE DE VIDANGE ROHRDURCHGANG, GUMMI DI.34 DRAIN PUMP CHOCK PASA-TUBO GOMA DE. 34	
21	015064	GUIDA CESTO SX. GUIDE PANIER SX. KORBBAHN SX. RACK SLIDE SX. GUIA CESTA (IZQDA.)503-50 ALTA	
22	015063	GUIDA CESTO DX. GUIDE PANIER DX. KORBBAHN DX. RACK SLIDE DX. GUIA CESTA (DCHA.)503-50 ALTA	

vsezip.ru

+7(812)987-08-81



Listino componenti per pagina 2

Зип Общепит

vsezip.ru

+7(812)987-08-81

1	224031 <i>Recommended spare parts</i>	PRESSOSTATO DIGITALE 560-AC-002 PRESSOSTAT DRUCKWAECHTER PRESSURE SWITCH PRESOSTATO	
4	143235 <i>Recommended spare parts</i>	TUBO 4x7 SILICONE TRASPARENTE CRP TUYAU SCHLAUCH 4X7 SILIKON DURCHS. CRP PIPE MANGUITO	
5	220011	MORSETTIERA bornier pour le raccordement * KLEMMENBRETT, 5-POLIG + ERDUNG FV.122 TERMINAL BLOCK bloque de terminales	
6	H.374339-2	CAVO MACCHINA H07RN-F 5X2.5X2.5MT CABLE MACHINE H07RN-F 5X2.5X2.5MT MASCHINENKABEL H07RN-F 5X2.5X3.0MT CABLE H07RN-F 5X2.5X2.5MT * CABLE MAQUINA H07RN-F 5X2.5X2.5MT	
7	459005	SERRACAVO FIXE-CABLE KABELKLIPPS, STEAB Art.5024 CABLE-RETAINER SUJETA-CABLE	
8	230118 <i>Recommended spare parts</i>	RESISTENZA VASCA 2100W-230V RESISTANCE DE CUVE ELEKTRISCHER WIDERSTAND 2100W-230V LA50 TANK HEATING ELEMENT RESISTENCIA CUBA	
9	437086	GUARNIZIONE RESISTENZA VASCA JOINT RESISTANCE CUVE DICHTUNG, TANKWIDERSTAND PACKING OF THE TANK RESISTANCE JUNTA RESISTENCIA CUBETA	
10	236047 <i>Recommended spare parts</i>	TERMOSTATO 95°C THERMOSTAT CUVE SECURITE 95°C SICHERHEITSTHERMOSTAT SAFETY TANK THERMOSTAT 95°C TERM.CONTACTO CUBETA/S.95°+/-3° SIC.	
11	236052 <i>Recommended spare parts</i>	TERMOSTATO 90°+/-3°C THERMOSTAT 90°+/-3°C THERM.,KONT. L.90ø+/-3ø(2611576) THERMOSTAT 90°+/-3°C TERM.CONTACTO CALENT./L.90°+/-3°	
12	456002	guarnizione o-ring joint torique o-ring O-Ring 48x6,2 O-ring junta tórica o-ring	
13	230111 <i>Recommended spare parts</i>	RESIST.B.4900W/230-400V RESISTANCE HEIZUNG,B.4900W/230-400V HEATING ELEMENT RESISTENCIA	
14	69870	PROTEZIONE RESISTENZA BOILER PROTECTION RESISTANCE BOILER HEIZUNGSSCHUETZ DES WARMWASSERBEREITERS BOILER HEATING ELEMENT PROTECTION PROTECCION RESISTENCIA CALENTADOR	
15	69871	PORTASONDA SUPPORT DE SOND SONDENHALTER PROBE HOLDER SOPORTE DE SONDA	
16	028105	PIASTRINA FERMA SONDA PLAQUETTE FISSAGE PLATTE FIXIERUNG FIXING PLATE PLANCHITA PARADA SONDA	
17	231016 <i>Recommended spare parts</i>	SONDA TEMPERATURA SONDE TEMPERATURSONDE TEMPERATURE PROBE SONDA TEMPERATURA (AMPOLLA ACERO)	

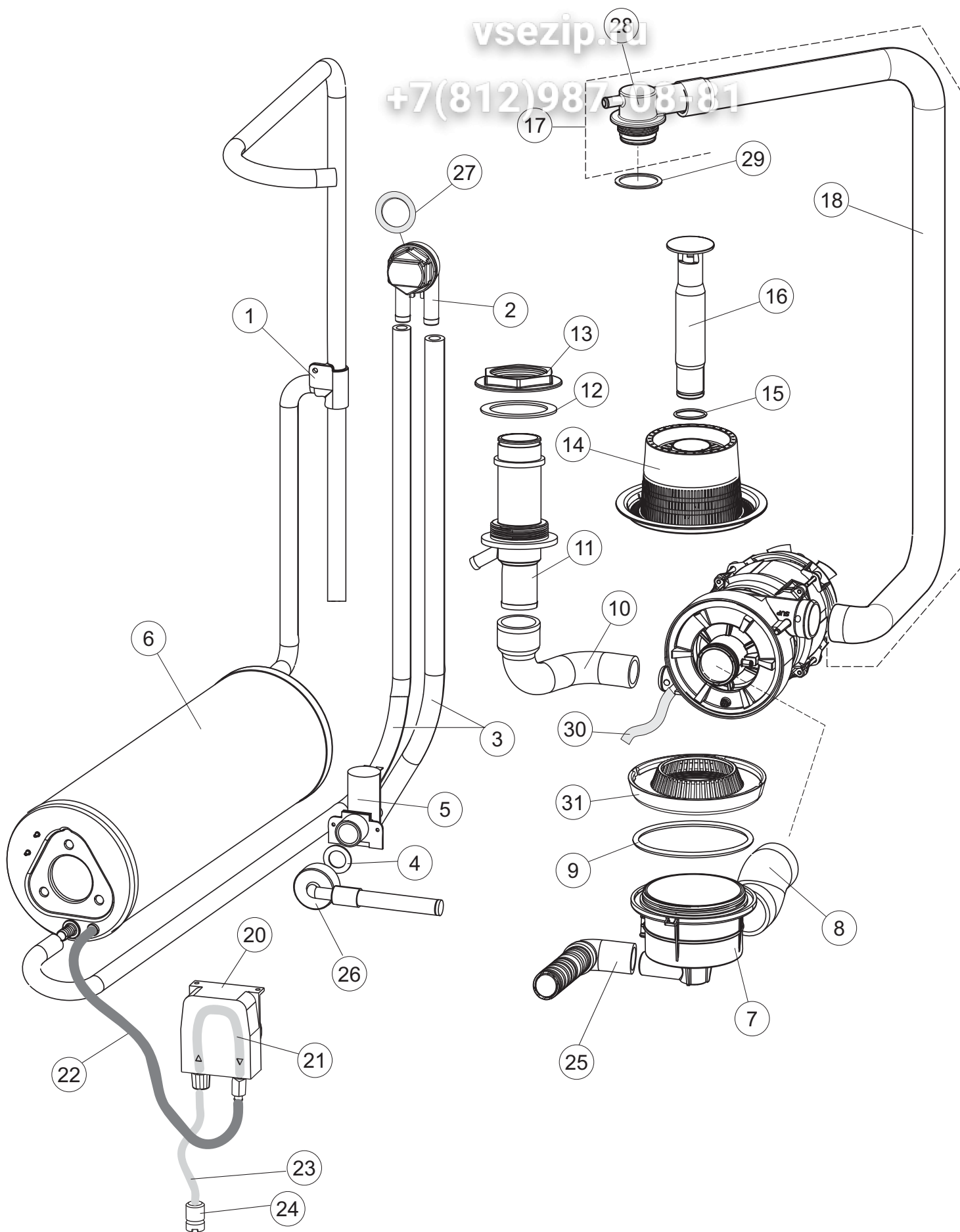
18	80871 <u>Recommended spare parts</u>	MICRO MAGNETICO CONTACTE MAGNETIQUE TUERKONTAKTSCHALTER MAGNETIC DOOR SWITCH CONTACTO MAGNETICO	
19	214114	PROTEZIONE TRASPARENTE PER IMPIANTO ELETTRICO PER I PROTECTION TRANSPARENTE POUR INSTALLATION ELECTR DURCHSICHTIGER SCHUETZ FUER ELEKTRISCHE ANLAGE DE TRANSPARENT PROTECTION FOR ELECTRIC INSTALLATION PROTECC. EL.TRANSP.	
20	121993	GRUPPO FILTRO+ZAVORRA DOSATORE filtre distributeur FILTERANORDNUNG filter aid dispenser filtro dispensador	
21	143194 <u>Recommended spare parts</u>	TUBO 4x6 CRISTAL TRASPARENTE TUYAU SCHLAUCH 4X6 CRISTAL, DURCHS. PIPE MANGUITO	
22	143267 <u>Recommended spare parts</u>	TUBETTO SANTOPRENE 6X9 RACCORDI +GHIERE TUYAU MEMBRANSCHLAUCH 6X9 PIPE MANGUITO	
23	209039 <u>Recommended spare parts</u>	DOSATORE DETERGENTE distributeur de détergent Reinigerdosiergerät detergent dispenser dispensador de detergente	Optional
24	999348	GRUPPO RACCORDO INIEZIONE DETERGENTE JUNCTION CUVE POUR INJECTION DE DETERGEN WASCHMITTEL INJECTION SPÜLANSCHLUSS DETERGENT TANK FITTING UNIÓN CUBA PARA INYECCIÓN DE DETERGENTE	
25	984007 <u>Recommended spare parts</u>	GRUPPO CAMPANA PRESSOSTATO Groupe de contrôle du niveau d'eau LUFTFALLE - KOMPLETT control group the level of water grupo de control el nivel de agua	
26	437019	GUARNIZIONE TRAPPOLA ARIA PRESSOSTATO JOINT PRISE D'AIRE PRESSOSTAT DICHTUNG, GLOCKE DRUCKSCH. V.M. PACKING FOR AIR TRAP OF PRESSURE SWITCH JUNTA CAMP. PRES. TORNILLO M.	
27	456020	guarnizione o-ring joint torique o-ring O-Ring 3050 R495 O-ring junta tórica o-ring	
28	468029	RACCORDO TRAPPOLA ARIA PRESSOSTATO RACCORD PRISE D'AIR PRESSOSTAT VERBINDUNGSSTK. TANKEINLAUF AIR TRAP CONNECTION OF PRESSURE SWITCH EMPALME CAMPANA PRESOSTATO	
30	026981	INTERFACCIA ADESIVA DI CONTROLLO TT620 SHARK INTERFACE ADHÉSIVE CONTRÔLE TASTATURFOLIEN CONTROL ADHESIVE INTERFACE INTERFAZ ADHESIVA DE CONTROL	
31	211013 <u>Recommended spare parts</u>	CAVO FLAT GET50 LA50(2,30MT) CABLE FLACHKABEL FLAT WIRE CABLE FLAT GET50 LA50	
32	80945 <u>Recommended spare parts</u>	PULSANTIERA LED BASSO DI GAMMA TERZ. TABLEAU DE PUSOIR TASTASTUR PUSH BUTTONS ASSEMBLY botonera	
33	417119 <u>Recommended spare parts</u>	DADO ECROU SCHRAUBENMUTTER, M3 KUNST. WEISS NUT TUERCA	

34	419036 <u>Recommended spare parts</u>	DISTANZIALI SCHEDA ENTRETOISE X CARTE ELECTRONIQUE ABSTANDSSTÜCK, M3 INTERFACE BOARD DISTANCE KEEPERS DISTANCIADOR M3	
35	215042-1 <u>Recommended spare parts</u>	SCHEDA ELETTRONICA GET50.2 CARTE ELECTRONIQUE GET50.2 KARTE ELEKTRONIK GET50.2 MAIN BOARD GET50.2 TARJETA ELECTRONICA GET50.2	
36	228010 <u>Recommended spare parts</u>	FUSIBILE 5X20 T4A RITARDATO 250V FUSIBLE SICHERUNG 5X20 T4A FUSE FISIBLE	
39	229042 <u>Recommended spare parts</u>	CONTATTO AUSILIARIO CONTACT AUXILIAIRE SCHALTSCHÜTZ AUXILIARY CONTACT AUXILIAR DE CONTACTO	
40	461028 <u>Recommended spare parts</u>	PIEDINO PLAST.SCHEDA 5309AA00XS ped support de carte électronique Stützfessß elektronische Karte foot board support sujeción pie tarjeta electrónica	
44	999351	GRUPPO FERMO RESISTENZA VASCA GROUPE CAPTURE RESISTANCE GRUPPE FANGEN BEHÄLTER WIDERSTAND GROUP STOPPED TANK HEATER GRUPO DE TANQUE CAPTURA DE RESISTENCIA	
49	214108	TENDINA PVC PROTEZIONE CABLAGGIO RIDEAU PVC PROTECTION ÉLECTRIQUE DURCHSICHTIGER SCHUETZ FUER ELEKTRISCHE ANLAGE DE PVC CURTAIN FOR ELECTRIC PROTECTION PVC CORTINAS ELÉCTRICAS PROTECCIÓN	
58	236047 <u>Recommended spare parts</u>	TERMOSTATO 95°C THERMOSTAT CUVE SECURITE 95°C SICHERHEITSTHERMOSTAT SAFETY TANK THERMOSTAT 95°C TERM.CONTACTO CUBETA/S.95°+/-3° SIC.	

3 Zip Общепит

vsezip.ru

+7(812)987-08-81



Listino componenti per pagina 3

Зип Общепит

vsezip.ru

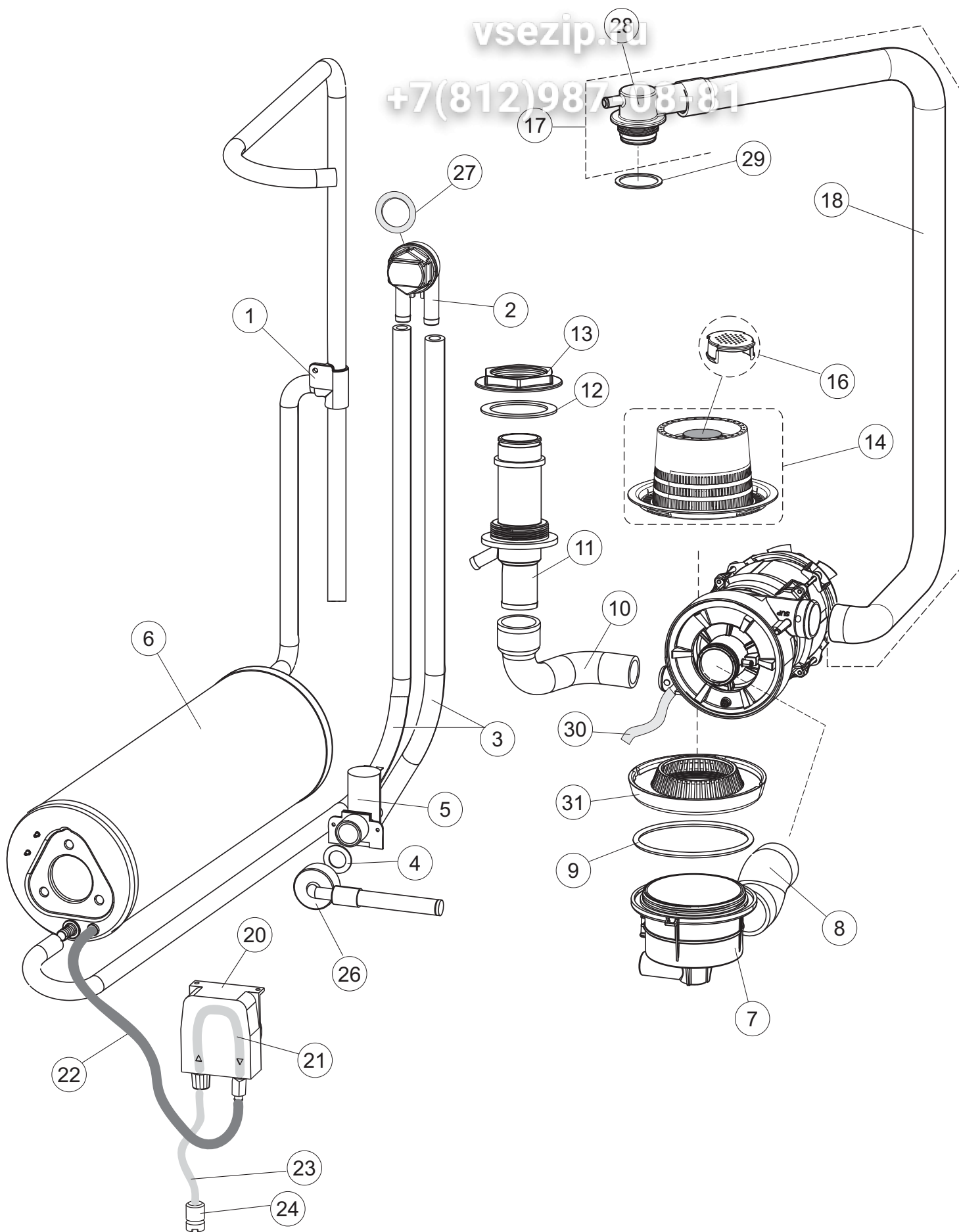
+7(812)987-08-81

1	143263	TUBO TRE VIE TUYAU LEITUNG VENTILEINHEIT > WASSERENTKAELE PIPE MANGUITO	
2	144030 <i>Recommended spare parts</i>	GRUPPO VALVOLA NON RITORNO CLAPET ANTI-RETOUR AIR GAP BEHAELTER - NICHT KOMPLETT NO RETURN VALVE VÁLVULA DE RETENCIÓN	
3	143004	TUBO TUYAU ROHR, DRUCKSCHALTER TP 10X17 (CASER/15NL C4N) PIPE TUBO PRES. TP 10X17 (CASER/15NL C4N)	
4	437041	GUARNIZIONE 3/4 JOINT DICHTUNG 3/4 GASVERSORG. GASKET JUNTA	
5	240011 <i>Recommended spare parts</i>	VALVOLA DI CARICO 1VIA vanne de remplissage ZUFLUSSVENTIL 1-WEG FILL VALVE válvula de llenado	
6	104060	BOILER CHAUDIÈRE BOILER BOILER CALDERIN	
7	136030 <i>Recommended spare parts</i>	CORPO ASPIRAZIONE SCARICO CORPS D'ASPIRATION/VIDANGE EINLASSUNG/ABLASSUNG GEHÄUSE ASPIRATION AND DRAIN BODY CUERPO ASPIRACION/DESCARGA	
8	127082	MANICOTTO MANDATA LAVAGGIO tuyau de refoulement à laver NACHSPUEL-FOERDERUNGSBOGEN DELIVERY WASH HOSE MANGUITO LAVADO	
9	456076	O-RING O-RING TORISCHE DICHTUNG D.I.135.9X5.33 O-RING O-RING	
10	127085	MANICOTTO MANDATA LAVAGGIO tuyau de refoulement à laver SAUGMUFFE PUMPE LA50 DELIVERY WASH HOSE MANGUITO LAVADO	
11	115143	COLLETTORE LAVAGGIO COLLECTEUR ZENTRALLEITUNG OBEN LA50 MAINFOLD COLECTOR	
12	437102	GUARNIZIONE CONDOTTO INFER.LA50 JOINT DICHTUNG GASKET JUNTA	
13	429073	GHIERA DOUILLE MUTTER RING NUT CONTERA VIROLA	
14	121120	FILTRO VASCA FILTRE SIEB STAINER FILTRO	
15	456081 <i>Recommended spare parts</i>	guarnizione o-ring joint torique o-ring O-RING O-ring junta tórica o-ring	

16	142058	TROPPOPIENO TROP PLEIN ÜBERLAUFROHR LA50 OVERFLOW PIPE REBOSE	
17	115150	COLLETORE COLLECTEUR WASCHLEITUNG AUSSEN PL. MAINFOLD COLECTOR	
18	127133	MANICOTTO CONDOTTA LAVAGGIO LA500 tuyau de refoulement à laver WASHLEITUNG OBEN DELIVERY WASH HOSE MANGUITO LAVADO	
20	209036	DOSATORE BRILLANTANTE distributeur de produit de rinçage Klarspüler DOSIERGERAET RINSE AID-DISPENSER DOSIFICADOR ABRILLANTADOR	
21	143266	TUBETTO SIL.5X10 MP2NERO+V.I(SEKO) TUYAU MEMBRANSCHLAUCH 5X10 PIPE MANGUITO	
22	143005	TUBO IN GOMMA TELATA 5X12 NERO TUYAU EN CAOUTCHOUC LIN 5X12 NOIR SCHLAUCH TP 5X11 (CASER/15/NL C4N) LINEN RUBBER PIPE 5X12 - BLACK TUBO PRES. TP 5x11 (CASER/15/NL C4N)	
23	H.775601	TUBO 4x6 CRISTAL BLUE PVC TUYAU SCHLAUCH 4x6 CRISTAL BLAU PVC PIPE MANGUITO	
24	121993	GRUPPO FILTRO+ZAVORRA DOSATORE filtre distributeur FILTERANORDNUNG filter aid dispenser filtro dispensador	
25	143252	TUBO SCARICO LA50 TUYAU DE VIDANGE ABLAUFLEITUNG DRAIN HOSE TUBO DESCARGA	
26	143270	TUBO CARICO 3/4G D.I.10 2MT TUYAU SCHLAUCH INLET WRAS PIPE TUBO WRAS	
27	437080	GUARNIZIONE JOINT DICHTUNG, VERBINDUNGSST., OB.SPÜL.E.40 GASKET JUNTA	
28	115149	PIANTONE CENTRALE SUP. X COND. LA500 soutien bras lavage/rinçage ZENTRALE SAULE support arms wash / rinse apoyo brazo de lavado / enjuague	
29	437113	GUARNIZIONE CORPO INFER.LA40-50 JOINT DICHTUNG DES KOERPERS -UNTEN- FUER GLAES ERSPUELEI GASKET JUNTA	
30	H.165168	TUBO TRASPARENTE TUYAU PVC SCHLAUCH PIPE MANGUITO	
31	429072	GHIERA DOUILLE ZWINGE RING NUT CONTERA VIROLA	

vsezip.ru

+7(812)987-08-81



Drain Pump(Optional)

Listino componenti per pagina 4

Зип Общепит

vsezip.ru

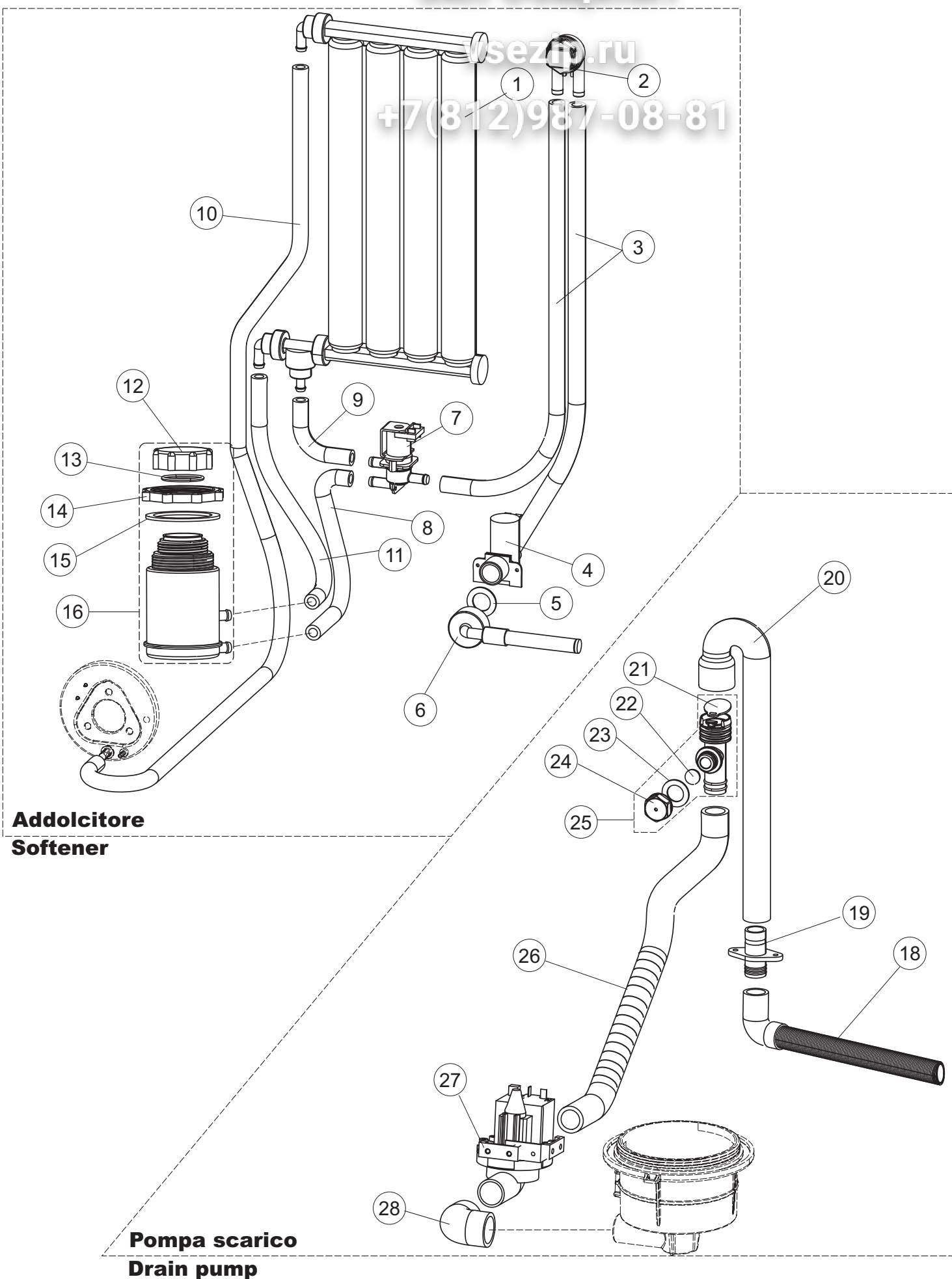
+7(812)987-08-81

1	143263	TUBO TRE VIE TUYAU LEITUNG VENTILEINHEIT > WASSERENTKAELE PIPE MANGUITO	
2	144030 <i>Recommended spare parts</i>	GRUPPO VALVOLA NON RITORNO CLAPET ANTI-RETOUR AIR GAP BEHAELTER - NICHT KOMPLETT NO RETURN VALVE VÁLVULA DE RETENCIÓN	
3	143004	TUBO TUYAU ROHR, DRUCKSCHALTER TP 10X17 (CASER/15NL C4N) PIPE TUBO PRES. TP 10X17 (CASER/15NL C4N)	
4	437041	GUARNIZIONE 3/4 JOINT DICHTUNG 3/4 GASVERSORG. GASKET JUNTA	
5	240011 <i>Recommended spare parts</i>	VALVOLA DI CARICO 1VIA vanne de remplissage ZUFLUSSVENTIL 1-WEG FILL VALVE válvula de llenado	
6	104060	BOILER CHAUDIÈRE BOILER BOILER CALDERIN	
7	136030 <i>Recommended spare parts</i>	CORPO ASPIRAZIONE SCARICO CORPS D'ASPIRATION/VIDANGE EINLASSUNG/ABLASSUNG GEHÄUSE ASPIRATION AND DRAIN BODY CUERPO ASPIRACION/DESCARGA	
8	127082	MANICOTTO MANDATA LAVAGGIO tuyau de refoulement à laver NACHSPUEL-FOERDERUNGSBOGEN DELIVERY WASH HOSE MANGUITO LAVADO	
9	456076	O-RING O-RING TORISCHE DICHTUNG D.I.135.9X5.33 O-RING O-RING	
10	127085	MANICOTTO MANDATA LAVAGGIO tuyau de refoulement à laver SAUGMUFFE PUMPE LA50 DELIVERY WASH HOSE MANGUITO LAVADO	
11	115143	COLLETTORE LAVAGGIO COLLECTEUR ZENTRALLEITUNG OBEN LA50 MAINFOLD COLECTOR	
12	437102	GUARNIZIONE CONDOTTO INFER.LA50 JOINT DICHTUNG GASKET JUNTA	
13	429073	GHIERA DOUILLE MUTTER RING NUT CONTERA VIROLA	
14	121135	GRUPPO FILTRO GROUPE FILTRE D'ASPIRATION FILTERGRUPPE RIVER-TOPTECH CRP-SP SUCTION FILTER UNIT GRUPO FILTRO ASPIRACION	
16	480162	TAPPO FILTRO VASCA CRP-SP(LAVAP.) BOUCHON DECKEL PLUG TAPON	

17	115150	COLLETORE COLLECTEUR WASCHLEITUNG AUSSEN PL. MAINFOLD COLECTOR	
18	127133	MANICOTTO CONDOTTA LAVAGGIO LA500 tuyau de refoulement à laver WASHLEITUNG OBEN DELIVERY WASH HOSE MANGUITO LAVADO	
20	209036 <i>Recommended spare parts</i>	DOSATORE BRILLANTANTE distributeur de produit de rinçage Klarspüler DOSIERGERAET RINSE AID-DISPENSER DOSIFICADOR ABRILLANTADOR	
21	143266 <i>Recommended spare parts</i>	TUBETTO SIL.5X10 MP2NERO+V.I.(SEKO) TUYAU MEMBRANSCHLAUCH 5X10 PIPE MANGUITO	
22	143005 <i>Recommended spare parts</i>	TUBO IN GOMMA TELATA 5X12 NERO TUYAU EN CAOUTCHOUC LIN 5X12 NOIR SCHLAUCH TP 5X11 (CASER/15/NL C4N) LINEN RUBBER PIPE 5X12 - BLACK TUBO PRES. TP 5x11 (CASER/15/NL C4N)	
23	H.775601 <i>Recommended spare parts</i>	TUBO 4x6 CRISTAL BLUE PVC TUYAU SCHLAUCH 4x6 CRISTAL BLAU PVC PIPE MANGUITO	
24	121993	GRUPPO FILTRO+ZAVORRA DOSATORE filtre distributeur FILTERANORDNUNG filter aid dispenser filtro dispensador	
26	143270	TUBO CARICO 3/4G D.I.10 2MT TUYAU SCHLAUCH INLET WRAS PIPE TUBO WRAS	
27	437080 <i>Recommended spare parts</i>	GUARNIZIONE JOINT DICHTUNG, VERBINDUNGSST., OB.SPÜL.E.40 GASKET JUNTA	
28	115149	PIANTONE CENTRALE SUP. X COND. LA500 soutien bras lavage/rinçage ZENTRALE SAULE support arms wash / rinse apoyo brazo de lavado / enjuague	
29	437113	GUARNIZIONE CORPO INFER.LA40-50 JOINT DICHTUNG DES KOERPERS -UNTEN- FUER GLAES ERSPUELEI GASKET JUNTA	
30	H.165168	TUBO TRASPARENTE TUYAU PVC SCHLAUCH PIPE MANGUITO	
31	429072 <i>Recommended spare parts</i>	GHIERA DOUILLE ZWINGE RING NUT CONTERA VIROLA	

5

Зип Общежит



**Addolcitore
Softener**

**Pompa scarico
Drain pump**

Listino componenti per pagina 5

Зип Общепит

vsezip.ru

+7(812)987-08-81

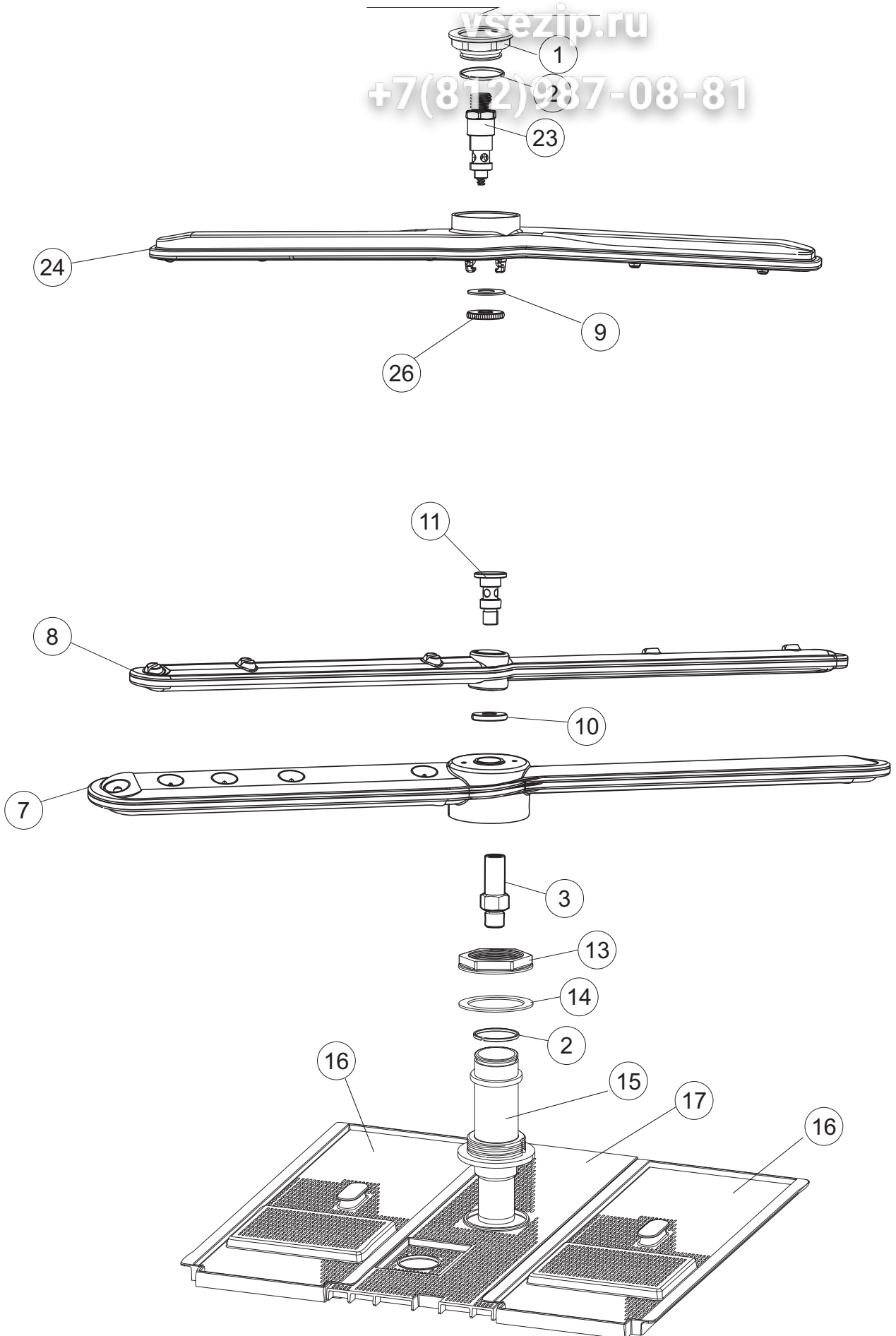
1	117009	ADDOLCITORE ADOUICISSEUR WASSERENTKALKER WATER SOFTNER DESCALCIFICADOR	Optional
2	144030 <i>Recommended spare parts</i>	GRUPPO VALVOLA NON RITORNO CLAPET ANTI-RETOUR AIR GAP BEHAELTER - NICHT KOMPLETT NO RETURN VALVE VÁLVULA DE RETENCIÓN	
3	143004	TUBO TUYAU ROHR, DRUCKSCHALTER TP 10X17 (CASER/15NL C4N) PIPE TUBO PRES. TP 10X17 (CASER/15NL C4N)	
4	240016 <i>Recommended spare parts</i>	ELETTRORVALVOLA ELECTROVANNE ZUFLUSSVENTIL 1-WEG 3/4 230V DROSS.16L SOLENOID VALVE ELECTROVALVULA	
5	437041	GUARNIZIONE 3/4 JOINT DICHTUNG 3/4 GASVERSORG. GASKET JUNTA	
6	143270	TUBO CARICO 3/4G D.I.10 2MT TUYAU SCHLAUCH INLET WRAS PIPE TUBO WRAS	
7	999288 <i>Recommended spare parts</i>	GRUPPO VALVOLA DEVIATRICE ELECTROVANNE MAGNETVENTIL ZWEI WEGE SOLENOID VALVE ELECTROVALVULA	
8	127138	MANICOTTO DURITE ROHR SLEEVE MANGUITO	
9	127140	MANICOTTO DURITE ROHR SLEEVE MANGUITO	
10	127137	MANICOTTO DURITE ROHR SLEEVE MANGUITO	
11	127139	MANICOTTO DURITE ROHR SLEEVE MANGUITO	
12	480005	TAPPO DECALCIFICATORE BOUCHON POUR BOL A SEL ABDECKUNG, SALZBEHALTER SALT CONTAINER SCREW CAP TAPON JARRA SAL	
13	456052	guarnizione o-ring joint torique o-ring O-Ring 144 O-ring junta tórica o-ring	
14	429011	GHIERA PER BOCCIA SALE DOUILLE GEWINDERING, SALZBEH. RING NUT CONTERA VIROLA	
15	437034	GUARNIZIONE D68D81 S3 IN GOMMA JOINT DICHTUNG, D68D81S3 GUMMI GASKET JUNTA	

16	406998	CONTENITORE SALE GROUPE DU BOL A SEL SALZBEHALTER NM SALT CONTAINER UNIT GRUPO JARRA SAL NM	
18	143137	TUBO SCARICO D18 TERM.LE CURVO TUYAU DE VIDANGE ABLASSROHR D18 GEBCC. ENDE DRAIN HOSE TUBO DESCARGA	
19	468152	RACCORDO DI SCARICO RACCORD POUR VIDANGE SERIE LAVE-VERRES VERBINDUNGSST., ABLAUF CLEAN.3 DRAIN CONNECTION FOR DISHWASHERS SERIE EMPALME DESCARGA CLEAN. 3	
20	127136	MANICOTTO DURITE MUFFE SLEEVE MANGUITO	
21	499092	MEMBRANA VALVOLA SFIATO PS LA50 membrane de la soupape de purge BLENDE diaphragm valve vent válvula de ventilación membrana	
22	476008	SFERA.VALVOLA.LA50.HOST.D=5/16" SPHERE KUGELHAHN SPHERE ESFERA	
23	437083	GUARNIZIONE GOMMA D32D19.5S1.5 JOINT DICHTUNG, GUMMI D32D19.5S1.5 GASKET JUNTA	
24	468199	RACCORDO MASCHIO VALVOLA SF.E DVGW LA50 RACCORD ANSCHLUSSSTUECK LA50 PIPE FITTING RECOGIDA	
25	144992	GRUPPO VALVOLA SFIATO CLAPET ANTI-RETOUR LUFTLOCH-VENTIL DER ABFLUSSPUMPE NO RETURN VALVE VÁLVULA DE RETENCIÓN	
26	127158	MANICOTTO DURITE ROHR SLEEVE MANGUITO	
27	999364	POMPA SCARICO 180°220/240-50HZ + Staffa POMPE DE VIDANGE + support de fixation 220/240-50HZ ABFLUSSPUMPE + STÜTZWINKEL 220/240-50HZ DRAIN PUMP + BRACKET 220/240-50HZ BOMBA DESAGUE + SOPORTE 220/240-50HZ	Optional
28	127134	MANICOTTO ASPIRAZIONE POMPA tuyau d'aspiration MUFFE, ANSAUG suction pipe tubo de aspiración	

6 Zip Общепит

vsezip.ru

+7(812)987-08-81



Listino componenti per pagina 6

vsezip.ru

+7(812)987-08-81

1	429079	GHIERA DOUILLE RING RING NUT CONTERA VIROLA	
2	303040	ANELLO DI TENUTA LAVAGGIO BAGUE TEILERPLATTE RING ANILLO DE ESTANQ. LAVADO	
3	325097	PERNO BRACCIO LAVAGGIO PIVOT WASCHUNG ZAPFEN PIVOT PERNO	
7	129076	BRACCIO LAVAGGIO BRAS DE LAVAGE COMPLET SPRÜHARM COMPLETE WASH ARM BRAZO LAVADO COMPLETO	
		<i>Recommended spare parts</i>	
8	129080	BRACCIO RISCIAQUO BRAS DE RINCAGE COMPLET NACHSPÜLARM COMPLETE RINSE ARM BRAZO ACLARADO COMPLETO	
		<i>Recommended spare parts</i>	
9	437117	RONDELLA IN TEFLON RONDELLE SCHEIBE WASHER arandela	
		<i>Recommended spare parts</i>	
10	80697	GHIERA ULTRA RINSE M10 INOX DOUILLE RING RING NUT CONTERA VIROLA	
11	80700	PERNO BRACCIO RISCIAQUO PIVOT STIFT PIVOT PERNO	
13	429073	GHIERA DOUILLE MUTTER RING NUT CONTERA VIROLA	
14	437102	GUARNIZIONE CONDOTTO INFER.LA50 JOINT DICHTUNG GASKET JUNTA	
15	115143	COLLETTORE LAVAGGIO COLLECTEUR ZENTRALLEITUNG OBEN LA50 MAINFOLD COLECTOR	
16	121139	FILTRO FILTRE FILTER STAINER FILTRO	Optional
17	121145	FILTRO FILTRE FILTER STAINER FILTRO	Optional
23	325109	PERNO LAVAGGIO-RISCIAQUO PIVOT ZAPFEN PIVOT PERNO	
24	990128	BRACCIO LAVAGGIO RISCIAQUO BRAS DE LAVAGE ET RINCAGE SPULEN UND WASCH ARM RINSE AND WASH ARM BRAZO LAVADO Y ACLARADO	
		<i>Recommended spare parts</i>	

26	454006	GHIRA DOUILLE Rändelmutter für Kombi-Arm RING NUT CONTERA VIROLA
----	--------	------------------------------------------------------------------------------

Зип-Общепит

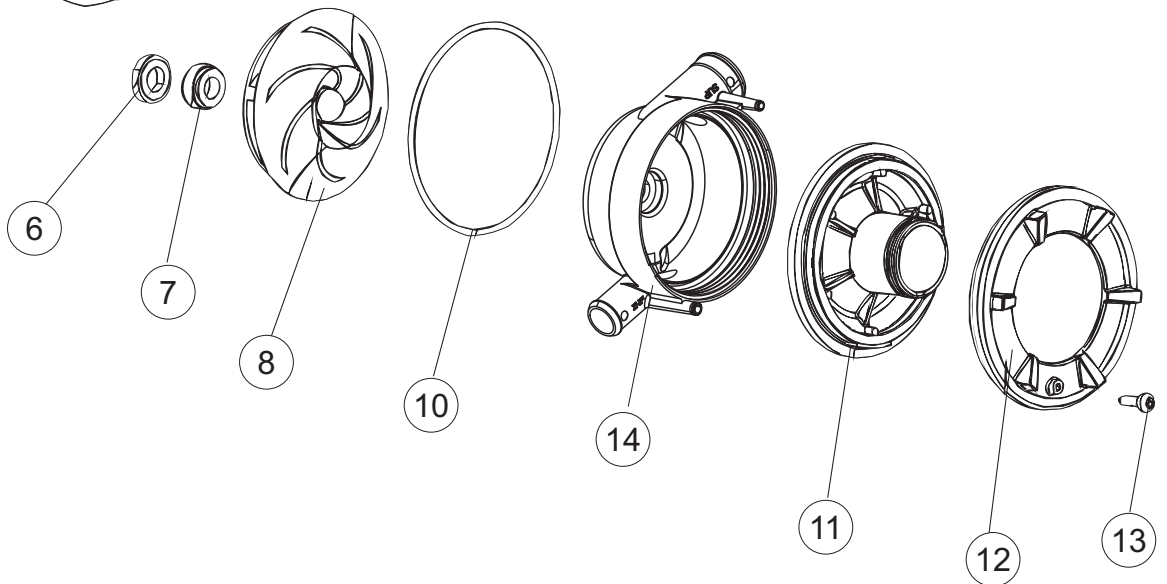
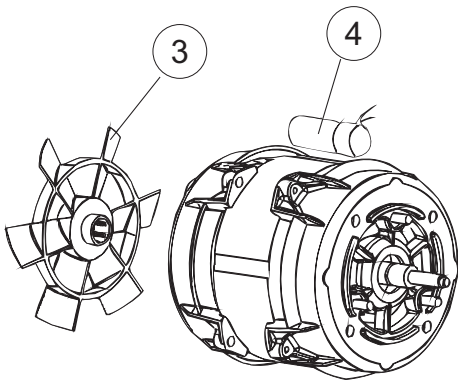
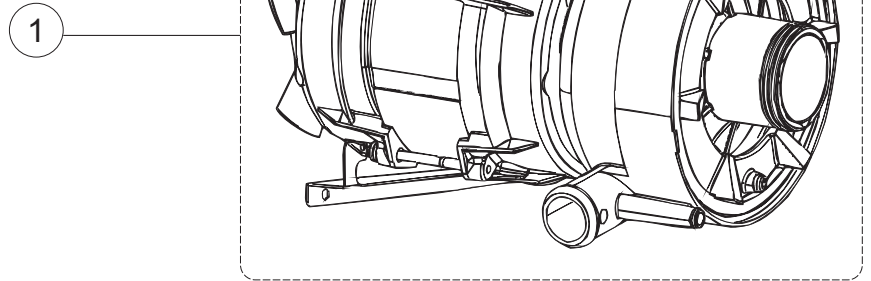
vsezip.ru

+7(812)987-08-81

7 Зип-Общепит

vsezip.ru

+7(812)987-08-81



Listino componenti per pagina 7

1	130977 <i>Recommended spare parts</i>	GRUPPO POMPA LAVAGGIO 50HZ (130174)LA500 50HZ GROUPE CORPS LAVAGE+POMPE (130174)LA500 50HZ WASCHPUMPE-KOERPER+ PUMPE LA500 50HZ WASH-BODY UNIT AND PUMP (130174)LA500 50HZ GRUPO CUERPO LAVADO+BOMBA (130174)LA500 50HZ	
3	335015	VENTOLA POMPA 240J VENTILATEUR POUR MOTO-POMPE LUFTEKREISLAUFER WASHPUMP FAN ROTOR PARA ELECTROBOMBA	
4	206002 <i>Recommended spare parts</i>	CONDENSATORE CONDENSEUR KONDENSATOR - 10 mF CAPACITOR CONDENSADOR	
6	141008	TENUTA MECC.FISSA POMPA(0146R) ETANCHEITE MECHANIQUE POUR MOTOPOMPE MECH. DICHTUNG FÜR WASCHPUMPE DER GLÄSERSPÜLER WASHPUMP SHAFT SEAL SELLO MECANICO PARA ELECTROBOMBA	
7	141009	TENUTA MECC.ROTANTE POMPA(0142R) ETANCHEITE MECHANIQUE POUR MOTOPOMPE MECH. DICHTUNG FÜR WASCHPUMPE DER GLÄSERSPÜLER WASHPUMP SHAFT SEAL SELLO MECANICO PARA ELECTROBOMBA	
8	124057	GIRANTE ELETROPOMPA IMPULSEUR MOTOPOMPE PUMPENFLUEGEL ELECTROPUMP IMPELLER ROTOR PARA ELECTROBOMBA	
10	456078	O-RING O-RING TORISCHE DICHTUNG O-RING O-RING	
11	480159	TAPPO CHIOCCIOLA POMPA(2434R) BOUCHON DECKEL PLUG TAPON	
12	429074	GHIERA DOUILLE RING RING NUT CONTERA VIROLA	
13	486242	VITE 3.5X13 TBC UNI6954(0062R) VIS SCHRAUBE 3.5X13 SCREW TORNILLO	
14	116032	CHIOCCIOLA ELETROPOMPA couvercle de la turbine PUMPENGEHAEUSE ELECTROPUMP HOUSING ESPIRAL PARA ELECTROBOMBA	

RECOMMENDED SPARE PARTS

Зип-Общепит

PAG	POS	COD	
1	18	480153	TAPPO BOUCHON VERSCHLUSS AUS GUMMI D.12 PLUG TAPON
2	1	224031	PRESSOSTATO DIGITALE 560-AC-002 PRESSOSTAT DRUCKWAECHTER PRESSURE SWITCH PRESOSTATO
2	4	143235	TUBO 4x7 SILICONE TRASPARENTE CRP TUYAU SCHLAUCH 4X7 SILIKON DURCHS. CRP PIPE MANGUITO
2	8	74169	RESISTENZA 2100W 230V RESISTANCE 2100W 230V HEIZELEMENT 2100W 230V HEATING ELEMENT 2100W 230V RESISTENCIA 2100W 230V
2	10	236047	TERMOSTATO 95°C THERMOSTAT CUVE SECURITE 95°C SICHERHEITSTHERMOSTAT SAFETY TANK THERMOSTAT 95°C TERM.CONTACTO CUBETA/S.95°+/-3° SIC.
2	11	236061	TERMOSTATO SIC. 127° THERMOSTAT 127° THERMOSTAT 127° THERMOSTAT 127° TERMOSTATO CALENT. 127°
2	13	230111	RESIST.B.4900W/230-400V RESISTANCE HEIZUNG,B.4900W/230-400V HEATING ELEMENT RESISTENCIA
2	17	231016	SONDA TEMPERATURA SONDE TEMPERATURSONDE TEMPERATURE PROBE SONDA TEMPERATURA (AMPOLLA ACERO)
2	18	80871	MICRO MAGNETICO CONTACTE MAGNETIQUE TUERKONTAKTSCHALTER MAGNETIC DOOR SWITCH CONTACTO MAGNETICO
2	21	143194	TUBO 4x6 CRISTAL TRASPARENTE TUYAU SCHLAUCH 4X6 CRISTAL, DURCHS. PIPE MANGUITO
2	22	143258	TUBO "SANTOPRENE" CON RACCORDO TUYAU "SANTOPRENE" MEMBRANSCHLAUCH SANTOPREN "SANTOPRENE" PIPE TUBITO SANTOPRENE
2	23	209043	DOSAT.PERIST.DETERGENTE P/F MD DOSEUR PÉRISTALTIQUE PERISTALTISCHES DOSIERGERAET DETERGENT DOSING PUMP DOSIFICADOR DETERG.
2	25	984007	GRUPPO CAMPANA PRESSOSTATO Groupe de contrôle du niveau d'eau LUFTFALLE - KOMPLETT control group the level of water grupo de control el nivel de agua
2	31	211013	CAVO FLAT GET50 LA50(2,30MT) CABLE FLACHKABEL FLAT WIRE CABLE FLAT GET50 LA50
2	32	80945	PULSANTIERA LED BASSO DI GAMMA TERZ. TABLEAU DE PUSOIR TASTASTUR PUSH BUTTONS ASSEMBLY botonera
2	33	417119	DADO ECROU SCHRAUBENMUTTER, M3 KUNST. WEISS NUT TUERCA

RECOMMENDED SPARE PARTS

Зинг Общепит

PAG 2	POS 34	COD 419036	DISTANZIALI SCHEDA ENTRETOISE X CARTE ELECTRONIQUE ABSTANDSSTÜCK, M3 INTERFACE BOARD DISTANCE KEEPERS DISTANCIADOR M3
PAG 2	POS 35	COD 215042-1	SCHEDA ELETTRONICA GET50.2 CARTE ELECTRONIQUE GET50.2 KARTE ELEKTRONIK GET50.2 MAIN BOARD GET50.2 TARJETA ELECTRÓNICA GET50.2
PAG 2	POS 36	COD 228010	FUSIBILE 5X20 T4A RITARDATO 250V FUSIBLE SICHERUNG 5X20 T4A FUSE FISIBLE
PAG 2	POS 39	COD 229042	CONTATTO AUSILIARIO CONTACT AUXILIAIRE SCHALTSCHÜTZ AUXILIARY CONTACT AUXILIAR DE CONTACTO
PAG 2	POS 40	COD 461028	PIEDINO PLAST.SCHEDA 5309AA00XS ped support de carte électronique Stützfessß elektronische Karte foot board support sujeción pie tarjeta electrónica
PAG 2	POS 58	COD 236052	TERMOSTATO 90°+/-3°C THERMOSTAT 90°+/-3°C THERM.,KONT. L.90ø+/-3ø(2611576) THERMOSTAT 90°+/-3°C TERM.CONTACTO CALENT./L.90°+/-3°
PAG 3	POS 2	COD 144030	GRUPPO VALVOLA NON RITORNO CLAPET ANTI-RETOUR AIR GAP BEHAELTER - NICHT KOMPLETT NO RETURN VALVE VÁLVULA DE RETENCIÓN
PAG 3	POS 5	COD 240011	VALVOLA DI CARICO 1VIA vanne de remplissage ZUFLUSSVENTIL 1-WEG FILL VALVE válvula de llenado
PAG 3	POS 7	COD 136030	CORPO ASPIRAZIONE SCARICO CORPS D'ASPIRATION/VIDANGE EINLASSUNG/ABLASSUNG GEHÄUSE ASPIRATION AND DRAIN BODY CUERPO ASPIRACION/DESCARGA
PAG 3	POS 15	COD 456081	guarnizione o-ring joint torique o-ring O-RING O-ring junta tórica o-ring
PAG 3	POS 20	COD 209042	DOSAT.PERIST.BRILLANTANTE+NR P/F MD DOSEUR PÉRISTALTIQUE PERISTALTISCHES DOSIERGERAET DOSING PUMP DOSIFICADOR
PAG 3	POS 21	COD 143261	TUBO SILICONE TUBE MEMBRANSCHLAUCH HOSE TUBITO
PAG 3	POS 22	COD 143005	TUBO IN GOMMA TELATA 5X12 NERO TUYAU EN CAOUTCHOUC LIN 5X12 NOIR SCHLAUCH TP 5X11 (CASER/15/NL C4N) LINEN RUBBER PIPE 5X12 - BLACK TUBO PRES. TP 5x11 (CASER/15/NL C4N)
PAG 3	POS 23	COD H.775601	TUBO 4x6 CRISTAL BLUE PVC TUYAU SCHLAUCH 4x6 CRISTAL BLAU PVC PIPE MANGUITO
PAG 3	POS 27	COD 437080	GUARNIZIONE JOINT DICHTUNG, VERBINDUNGSST., OB.SPÜL.E.40 GASKET JUNTA
PAG 3	POS 31	COD 429072	GHIERA DOUILLE ZWINGE RING NUT CONTERA VIROLA

vsezip.ru

(2)987-08-81

RECOMMENDED SPARE PARTS

zip.ру

vsezip.ru

(812)987-08-81

PAG 4	POS 2	COD 144030	GRUPPO VALVOLA NON RITORNO CLAPET ANTI-RETOUR AIR GAP BEHAELTER - NICHT KOMPLETT NO RETURN VALVE VÁLVULA DE RETENCIÓN
PAG 4	POS 5	COD 240011	VALVOLA DI CARICO 1/1A vanne de remplissage ZUFLUSSVENTIL 1-WEG FILL VALVE válvula de llenado
PAG 4	POS 7	COD 136030	CORPO ASPIRAZIONE SCARICO CORPS D'ASPIRATION/VIDANGE EINLASSUNG/ABLASSUNG GEHÄUSE ASPIRATION AND DRAIN BODY CUERPO ASPIRACION/DESCARGA
PAG 4	POS 20	COD 209042	DOSAT.PERIST.BRILLANTANTE+NR P/F MD DOSEUR PÉRISTALTIQUE PERISTALTISCHES DOSIERGERAET DOSING PUMP DOSIFICADOR
PAG 4	POS 21	COD 143261	TUBO SILICONE TUBE MEMBRANSCHLAUCH HOSE TUBITO
PAG 4	POS 22	COD 143005	TUBO IN GOMMA TELATA 5X12 NERO TUYAU EN CAOUTCHOUC LIN 5X12 NOIR SCHLAUCH TP 5X11 (CASER/15/NL C4N) LINEN RUBBER PIPE 5X12 - BLACK TUBO PRES. TP 5x11 (CASER/15/NL C4N)
PAG 4	POS 23	COD H.775601	TUBO 4x6 CRISTAL BLUE PVC TUYAU SCHLAUCH 4x6 CRISTAL BLAU PVC PIPE MANGUITO
PAG 4	POS 27	COD 437080	GUARNIZIONE JOINT DICHTUNG, VERBINDUNGSST., OB.SPÜL.E.40 GASKET JUNTA
PAG 4	POS 31	COD 429072	GHIERA DOUILLE ZWINGE RING NUT CONTERA VIROLA
PAG 5	POS 2	COD 144030	GRUPPO VALVOLA NON RITORNO CLAPET ANTI-RETOUR AIR GAP BEHAELTER - NICHT KOMPLETT NO RETURN VALVE VÁLVULA DE RETENCIÓN
PAG 5	POS 4	COD 240016	ELETTROVALVOLA ELECTROVANNE ZUFLUSSVENTIL 1-WEG 3/4 230V DROSS.16L SOLENOID VALVE ELECTROVALVULA
PAG 5	POS 7	COD 999288	GRUPPO VALVOLA DEVIATRICE ELECTROVANNE MAGNETVENTIL ZWEI WEGE SOLENOID VALVE ELECTROVALVULA
PAG 6	POS 7	COD 129076	BRACCIO LAVAGGIO BRAS DE LAVAGE COMPLET SPRÜHARM COMPLETE WASH ARM BRAZO LAVADO COMPLETO
PAG 6	POS 8	COD 129080	BRACCIO RISCIAQUO BRAS DE RINCAGE COMPLET NACHSPÜLARM COMPLETE RINSE ARM BRAZO ACLARADO COMPLETO
PAG 6	POS 9	COD 437117	RONDELLA IN TEFLON RONDELLE SCHEIBE WASHER arandela
PAG 6	POS 24	COD 990128	BRACCIO LAVAGGIO RISCIAQUO BRAS DE LAVAGE ET RINCAGE SPULEN UND WASCH ARM RINSE AND WASH ARM BRAZO LAVADO Y ACLARADO

RECOMMENDED SPARE PARTS

Зинт-Общепит

PAG	POS	COD	
7	1	130977	GRUPPO POMPA LAVAGGIO 50HZ (130174)LA500 50HZ GROUPE CORPS LAVAGE+POMPE (130174)LA500 50HZ WASCHPUMPE-KOERPER+ PUMPE LA500 50HZ WASH-BODY UNIT AND PUMP (130174)LA500 50HZ GRUPO CUERPO LAVADO+BOMBA (130174)LA500 50HZ

+7(812)987-08-81