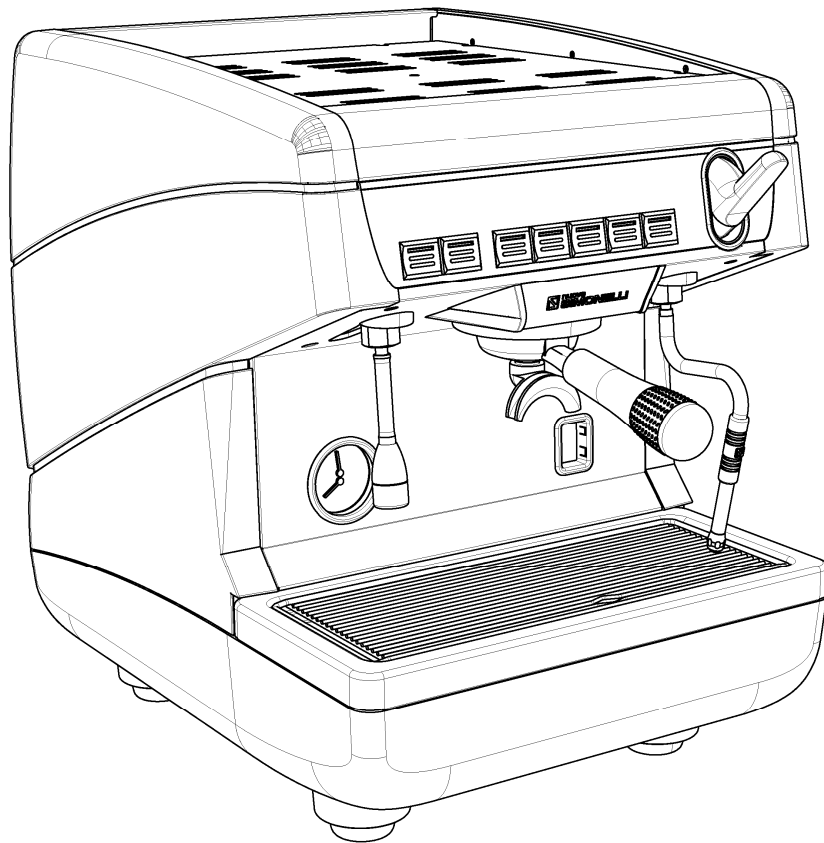


PRODOTTI / RICAMBI
PRODUCTS / SPARE PARTS
ПРОДУКТЫ / ЗАПАСНЫЕ ЧАСТИ
PRODUITS / PIÈCES DÉTACHÉES
PRODUKTE / ERSATZTEILE
PRODUCTOS / REPUESTOS

+7(812)987-08-81
APP14 II

Esplosi: mod. "1GR"

08/05/2014



 nuova
SIMONELLI®

- » TAV □1 - **COMPONENTI GRUPPO CAPENA**
CABINET PARTS
- » TAV □2 - **COMPONENTI GRUPPO EROGAZIONE**
POURING UNIT GROUP PARTS
- » TAV □3 - **COMPONENTI IDRAULICI**
HYDRAULIC PARTS
- » TAV □4 - **COMPONENTI RUBINETTI VAPORE E ACQUA CALDA**
STEAM & HOT WATER VALVES PARTS
- » TAV □5 - **COMPONENTI AUTOSTEAM**
AUTOSTEAM PARTS
- » TAV □6 - **COMPONENTI GRUPPO IDRAULICO**
HYDRAULIC GROUP PARTS
- » TAV □7 - **COMPONENTI CALDAIA**
BOILER PARTS
- » TAV □8 - **COMPONENTI TELAIO**
FRAME PARTS
- » TAV □9 - **COMPONENTI ELETTRICI ED ELETTRONICI**
ELECTRONIC & ELECTRIC PARTS

» LEGENDA :

I CODICI SCRITTI IN GRASSETTO SI RIFERISCONO AI COMPONENTI IMPIEGATI ATTUALMENTE.

I CODICI IMPIEGATI PRIMA SONO SCRITTI IN CORSIVO CON INDICATA A FIANCO LA DATA DI FINE VALIDITA'.

ESEMPIO:

07300127 (φ2.5) - 16/05/2007
07300226 (φ2)

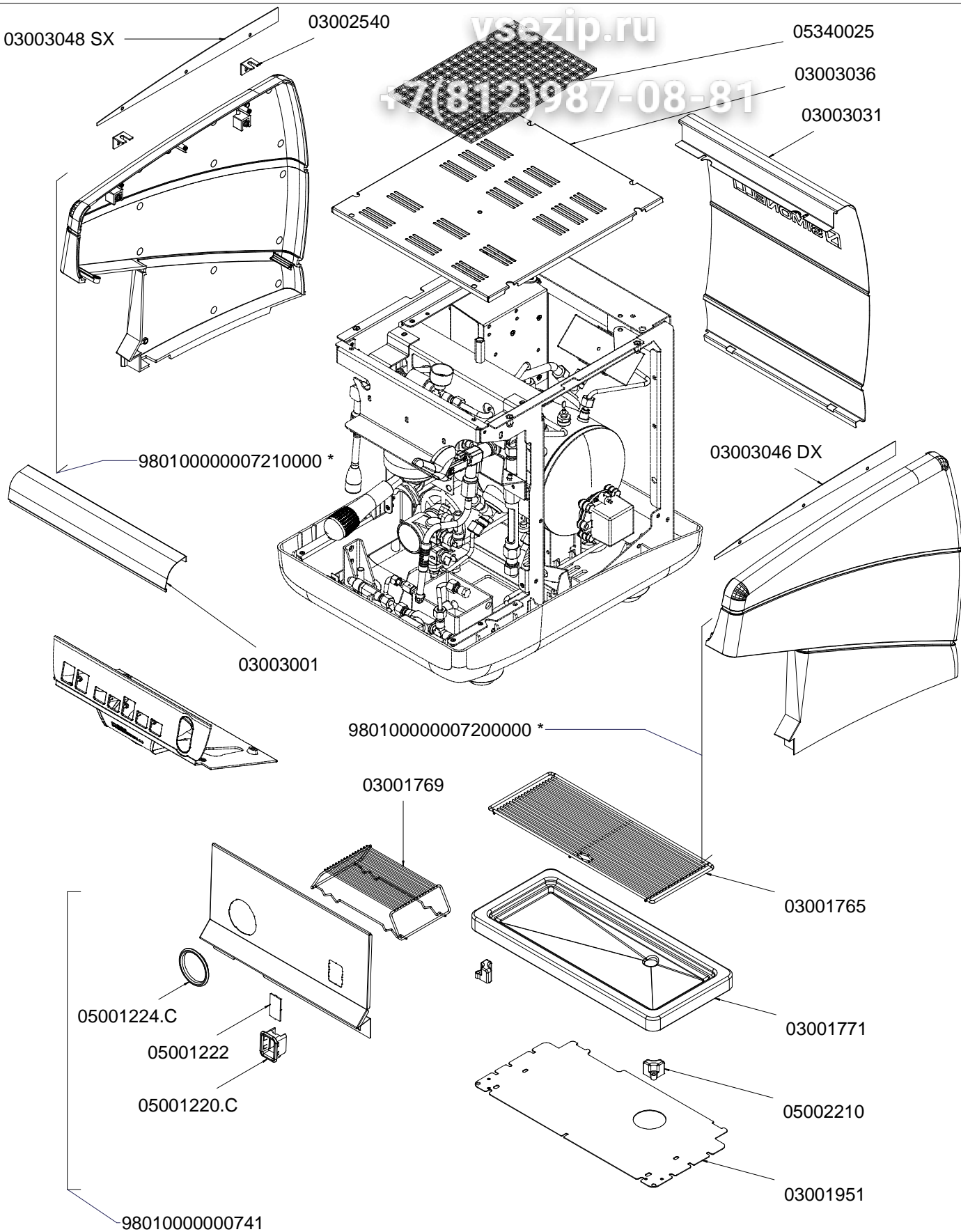
COMPONENTI GRUPPO CARENA CABINET PARTS

ВсёZip.ru

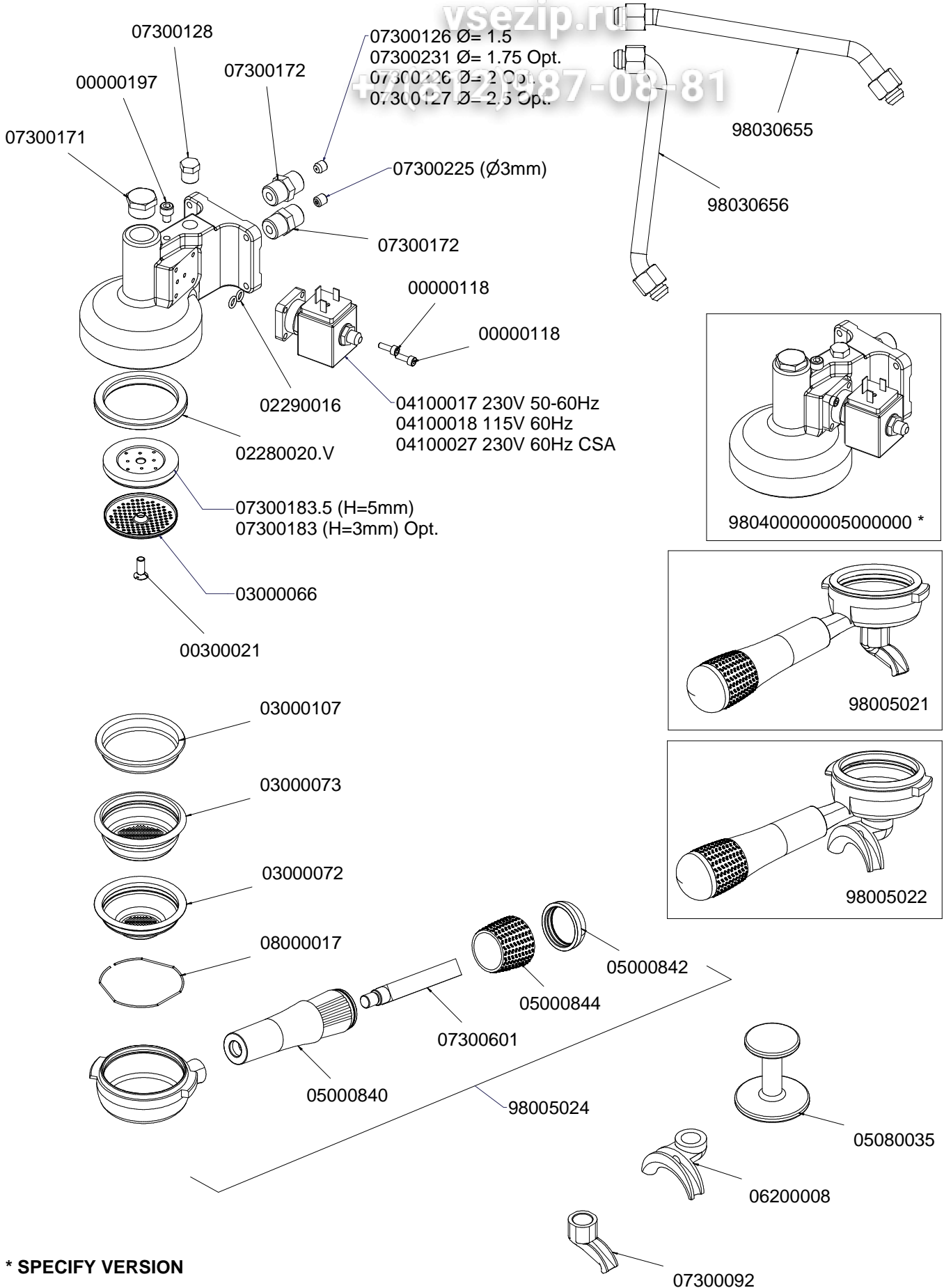
vsezip.ru

+7(812)987-08-81

A
P
P
I
A
II
1
G
R



COMPONENTI GRUPPO EROGAZIONE POURING UNIT GROUP PARTS



A
P
P
I
A
II
1
G
R

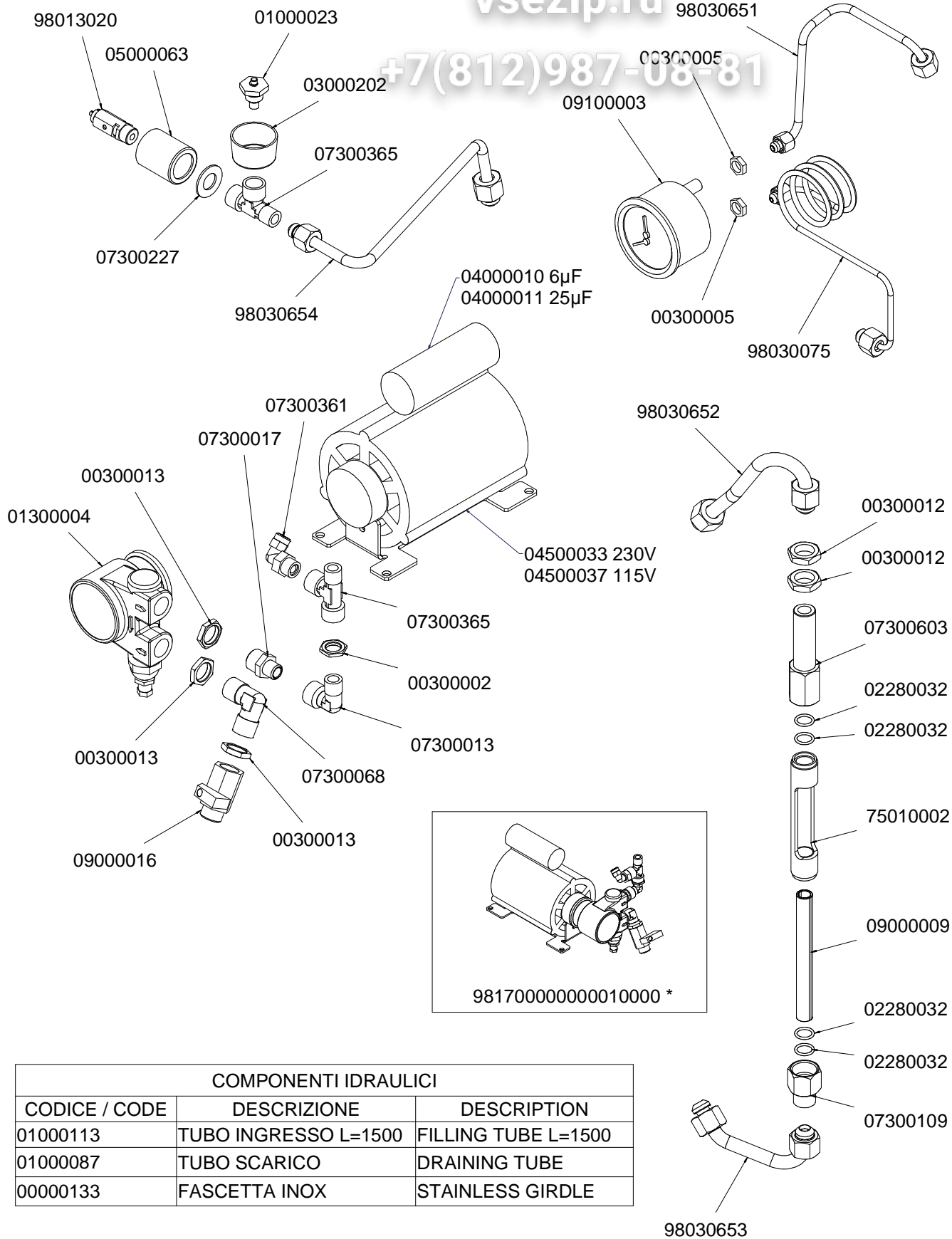
* SPECIFY VERSION

COMPONENTI IDRAULICI HYDRAULIC PARTS

vsezip.ru

+7(812)987-08-81

APPALIGR

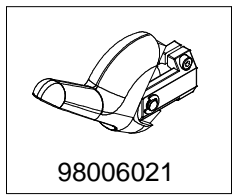


COMPONENTI IDRAULICI		
CODICE / CODE	DESCRIZIONE	DESCRIPTION
01000113	TUBO INGRESSO L=1500	FILLING TUBE L=1500
01000087	TUBO SCARICO	DRAINING TUBE
00000133	FASCETTA INOX	STAINLESS GIRDLE

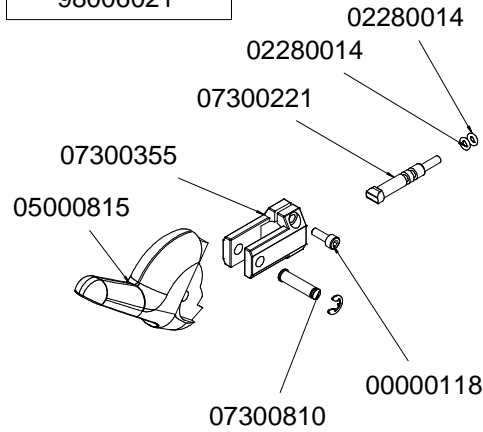
* SPECIFY VERSION

COMPONENTI RUBINETTO VAPORE E ACQUA CALDA STEAM AND HOT WATER WAND

A
P
P
I
A
I
I
G
R



98006021



05000815

07300355

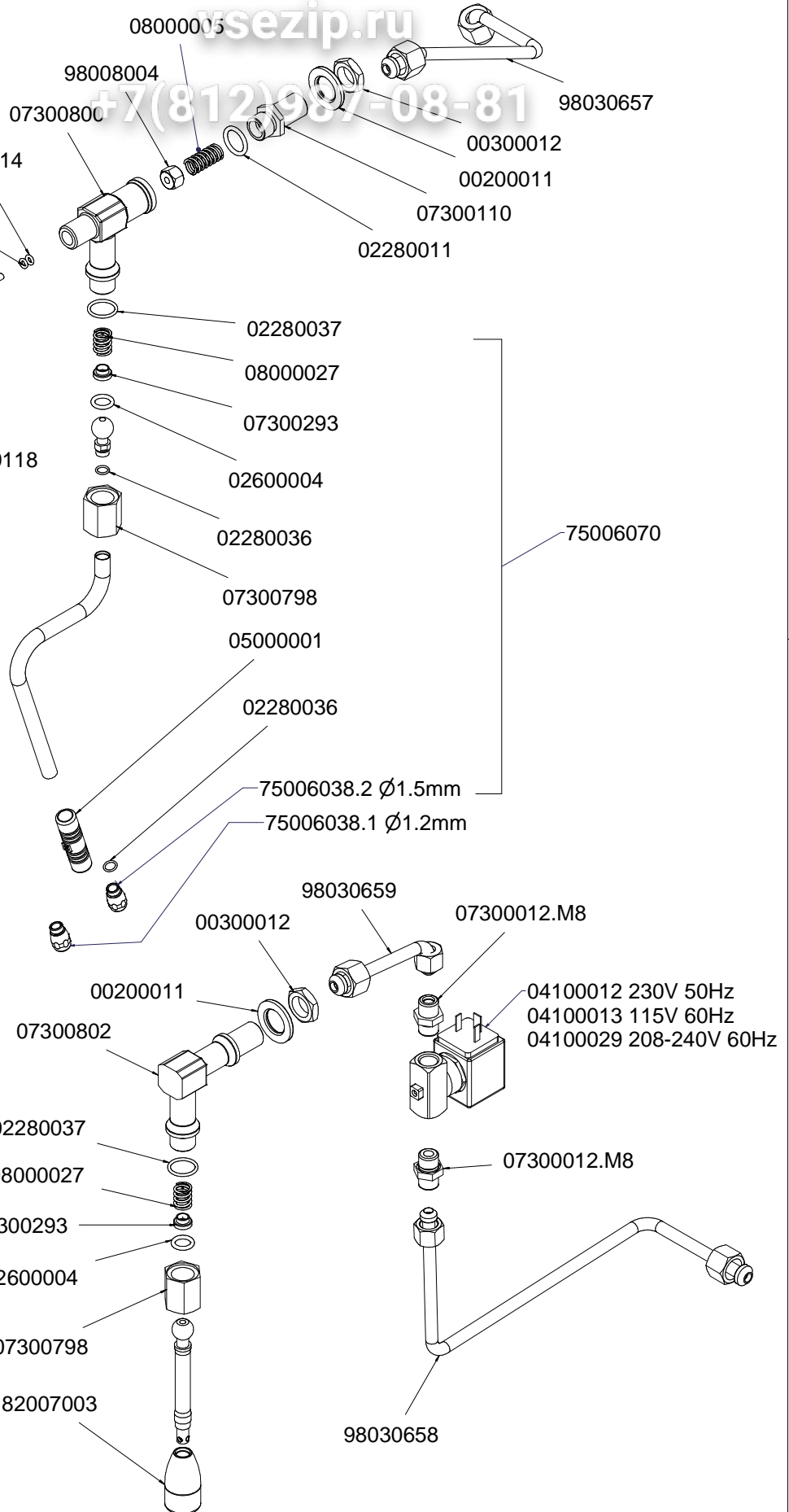
07300221

02280014

02280014

07300810

00000118



08000005

98008004

07300800

02280011

07300110

00300012

00200011

98030657

02280037

08000027

07300293

02600004

02280036

07300798

05000001

02280036

75006038.2 Ø1.5mm

75006038.1 Ø1.2mm

75006070

98030659

00300012

07300012.M8

00200011

04100012 230V 50Hz

04100013 115V 60Hz

04100029 208-240V 60Hz

07300802

02280037

08000027

07300293

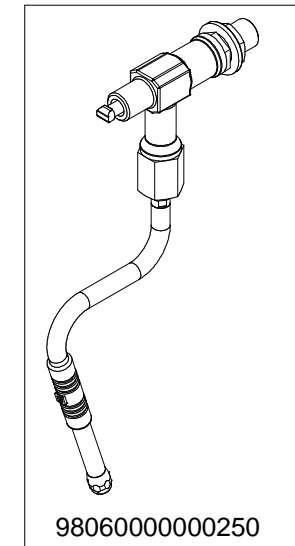
02600004

07300798

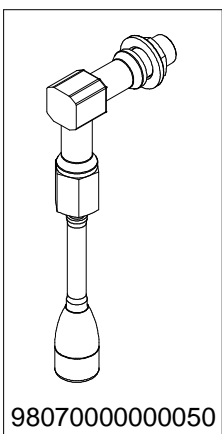
82007003

07300012.M8

98030658



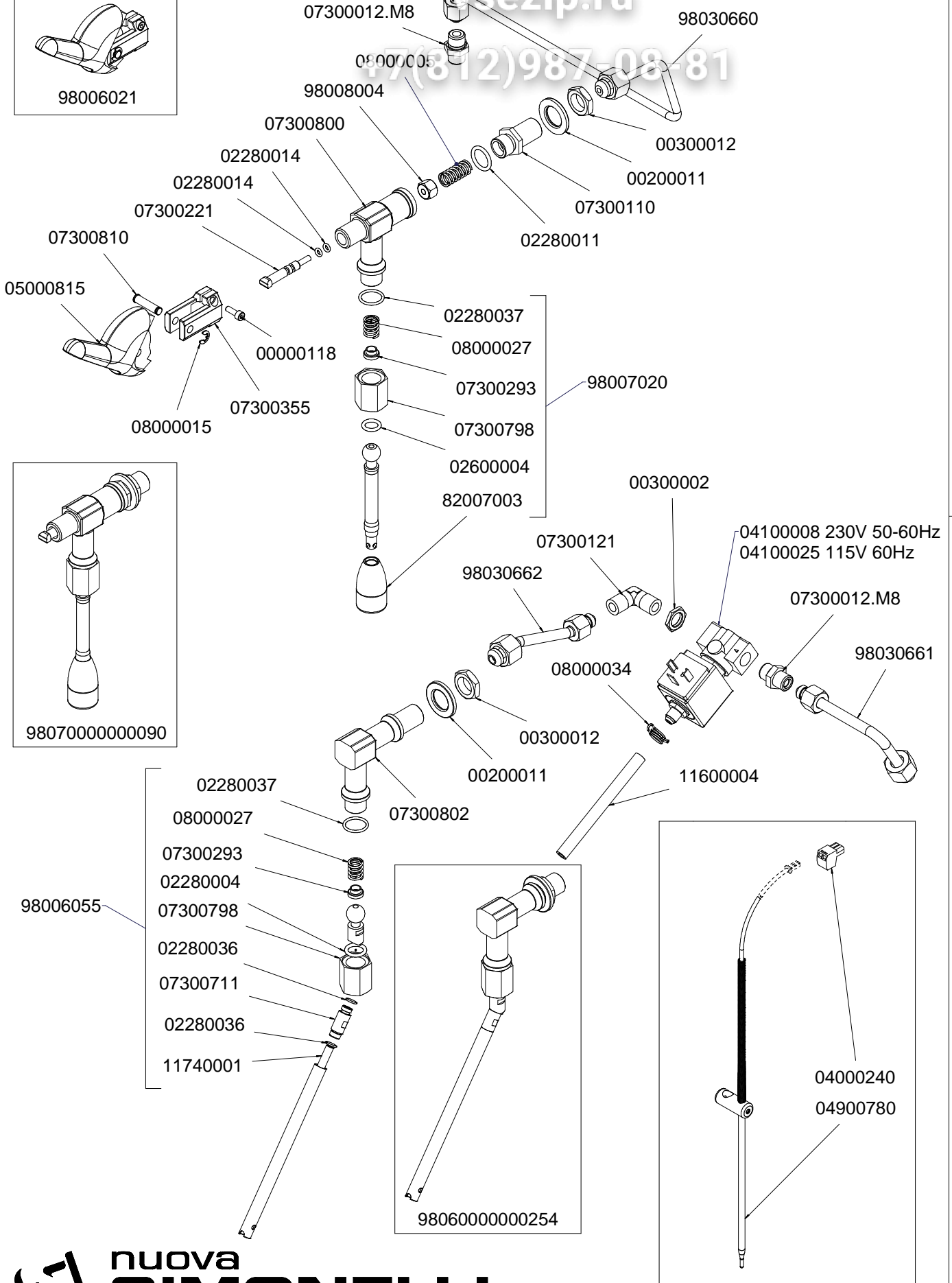
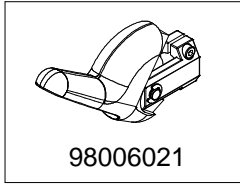
9806000000250



9807000000050

COMPONENTI AUTOSTEAM AUTOSTEAM PARTS

A
P
P
I
A
I
I
1
G
R

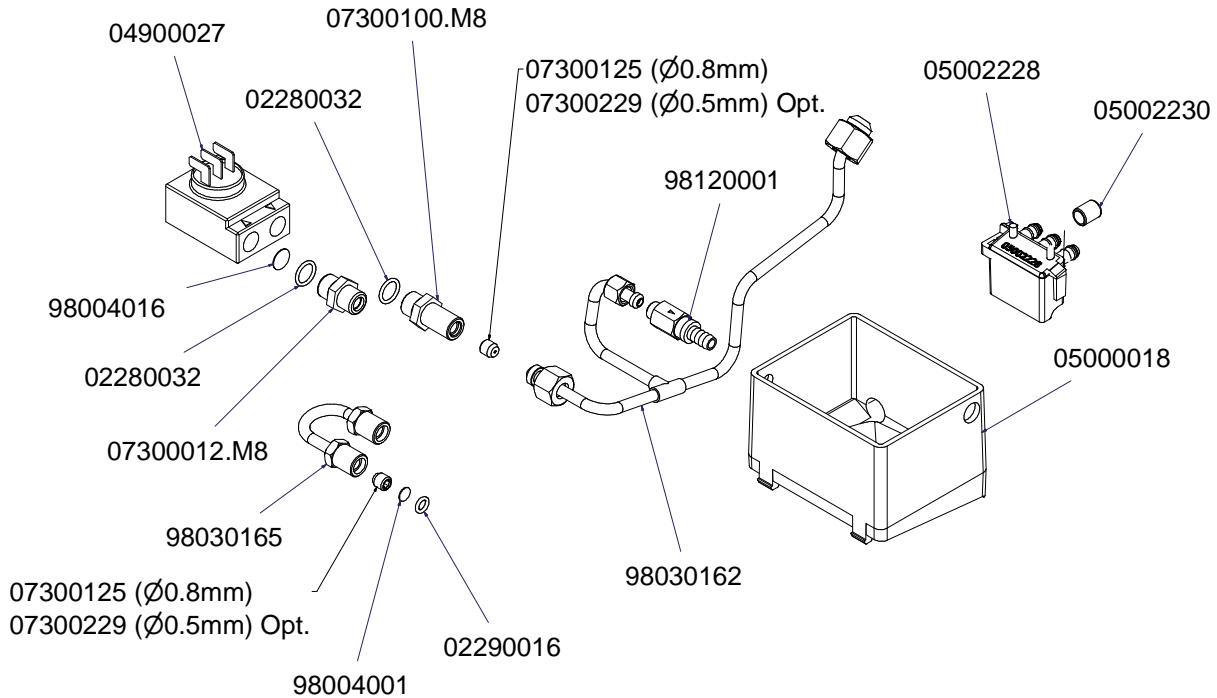
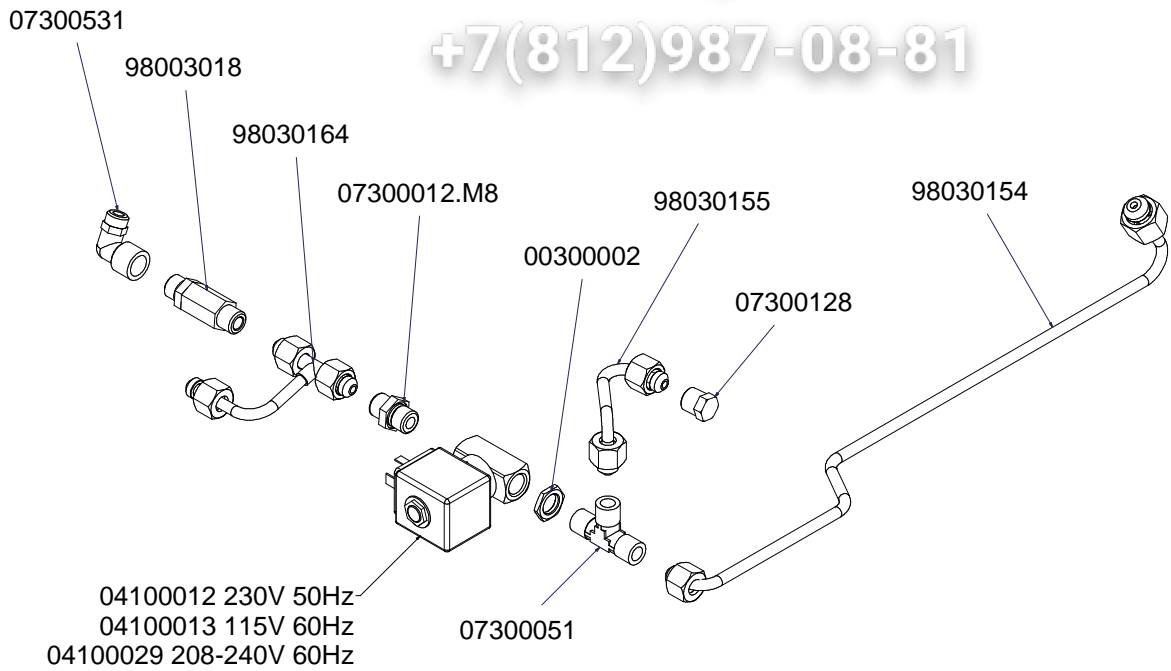


COMPONENTI GRUPPO IDRAULICO HYDRAULIC GROUP PARTS

vsezip.ru

+7(812)987-08-81

A
P
P
I
A
II
1
G
R

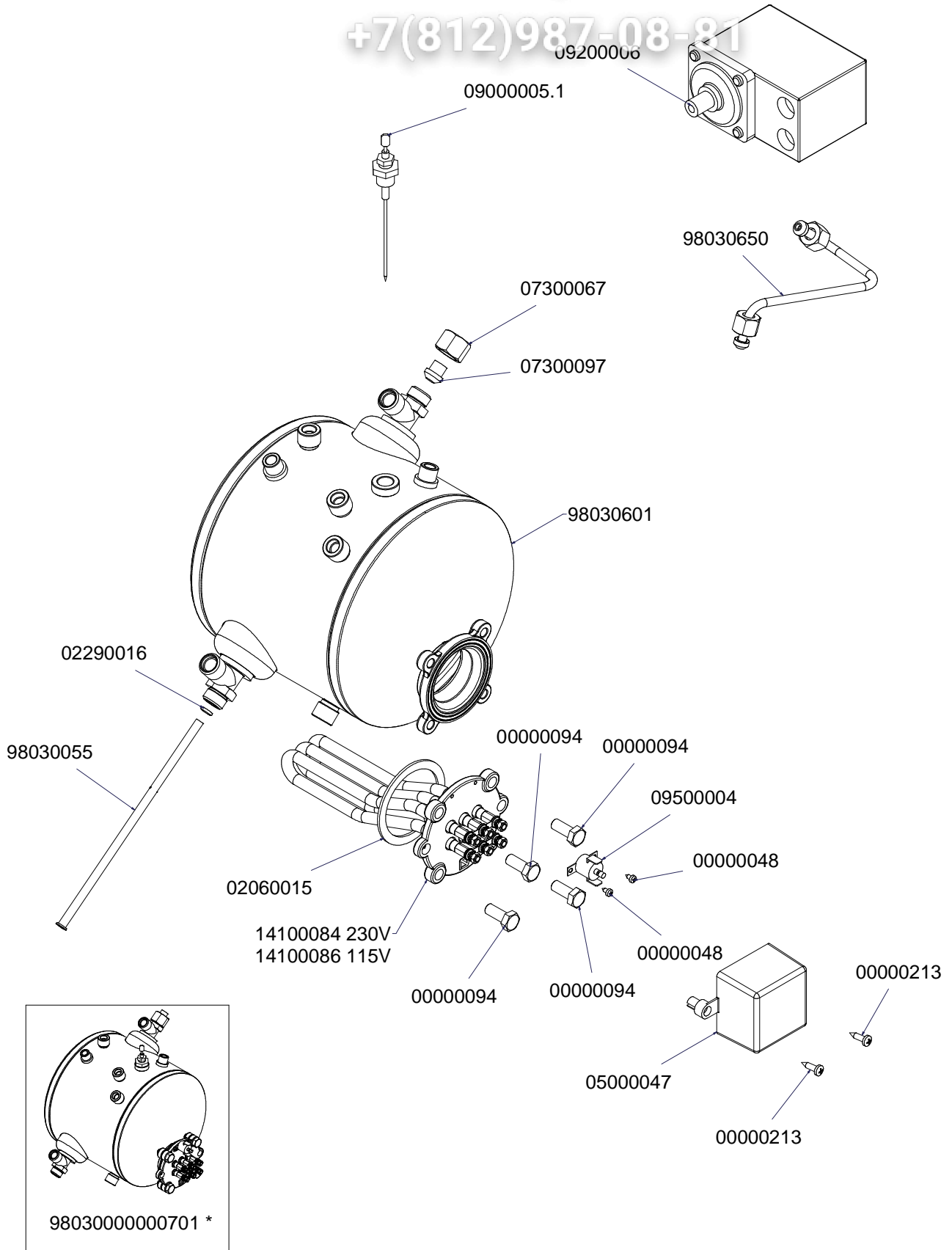


COMPONENTI CALDAIA BOILER PARTS

Вит. Овчепит

vsezip.ru

+7(812)987-08-81



A
P
P
I
A
I
I

1
G
R

* SPECIFY VERSION

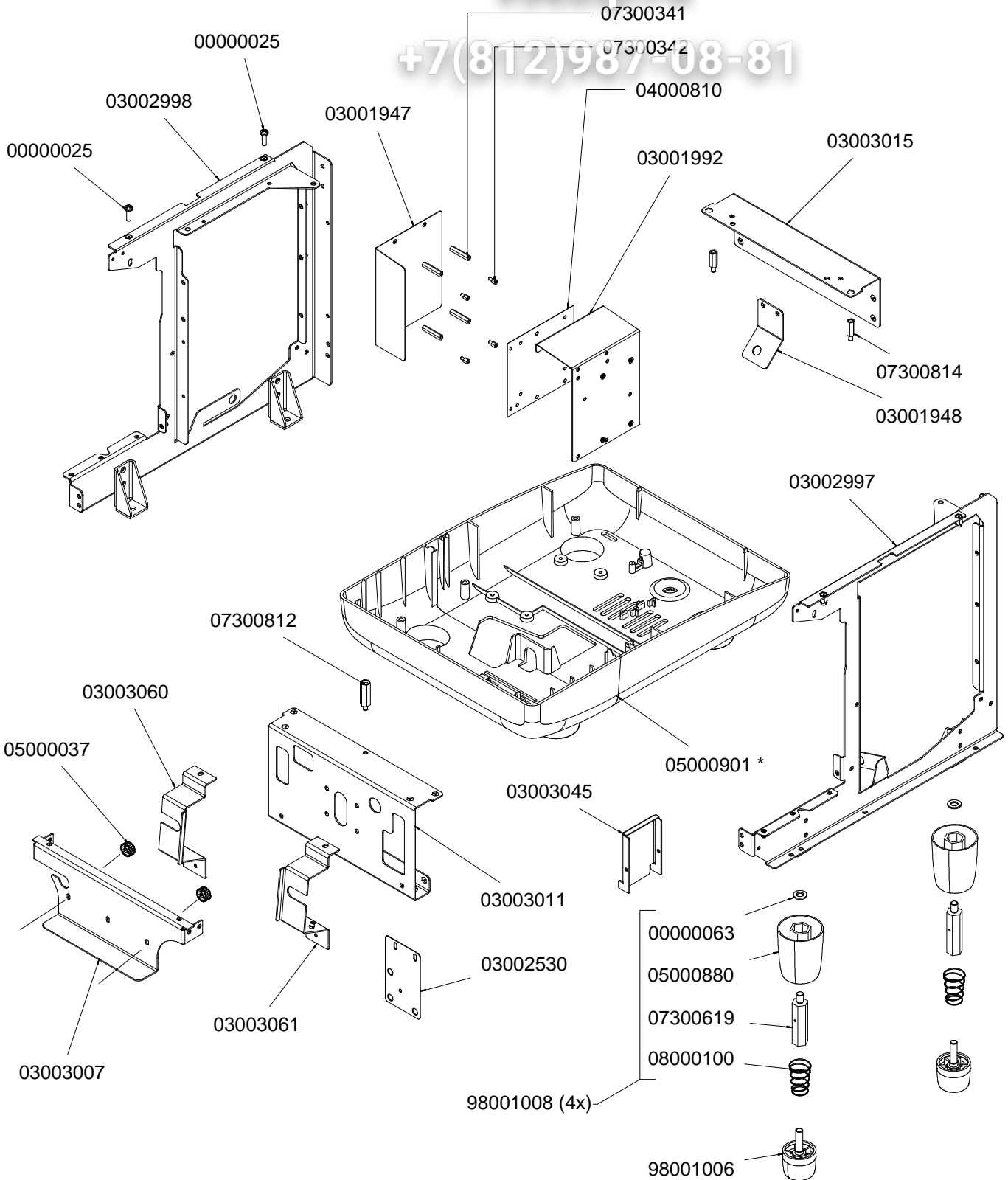
COMPONENTI TELAIO FRAME PARTS

сайт: vsezip.ru

vsezip.ru

+7(812)987-08-81

A
P
P
I
A
I
I
1
G
R

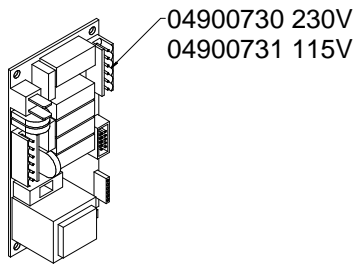


*** SPECIFY VERSION**

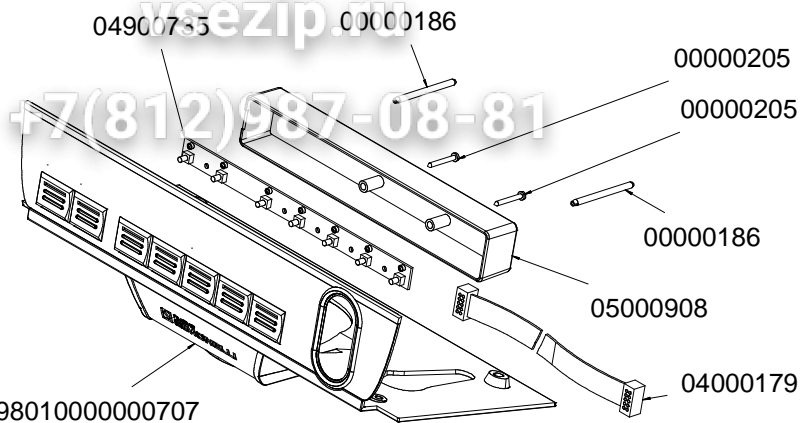
NERO (BLACK)
ROSSO (RED)
BIANCO PERLA (PEARLED WHITE)

COMPONENTI ELETTRICI ED ELETTRONICI ELECTRIC AND ELECTRONIC PARTS

A P P I A II 1 G R

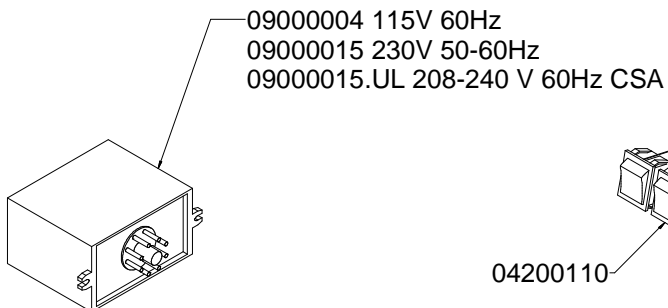


04900730 230V
04900731 115V



9801000000707

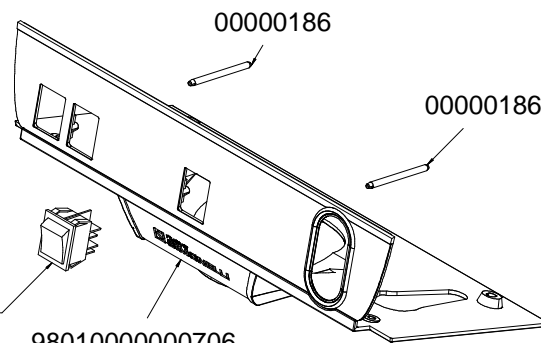
9816000000711



09000004 115V 60Hz
09000015 230V 50-60Hz
09000015.UL 208-240 V 60Hz CSA

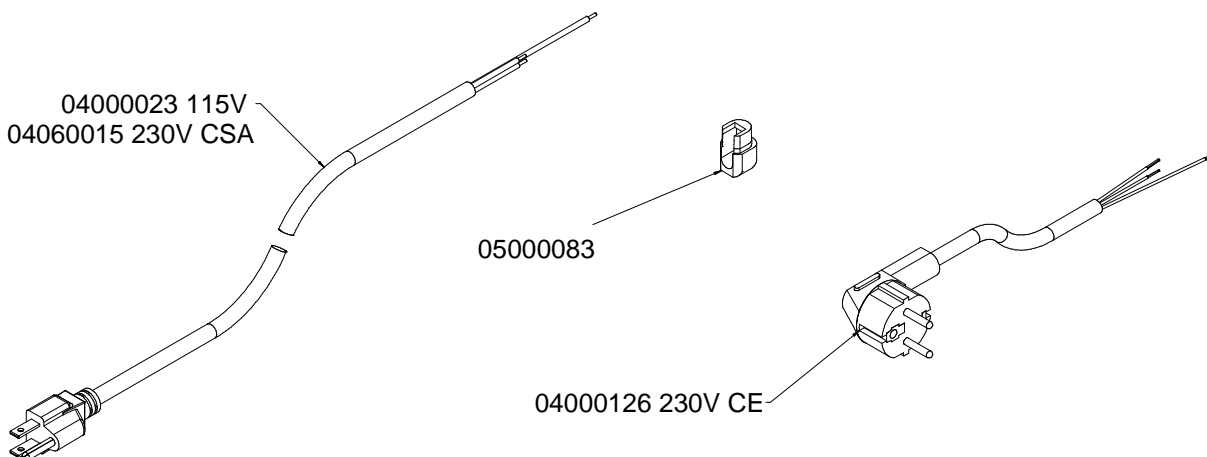
04200110

04200110



9801000000706

9816000000701



04000023 115V
04060015 230V CSA

05000083

04000126 230V CE

COMPONENTI ELETTRICI - ELECTRICAL COMPONENTS

CODICE/CODE	DESCRIZIONE	DESCRIPTION
04000801	IMPIANTO ELETTRICO APPIA II 1GR VOL	APPIA II 1GR VOL COMPLETE WIRING
04000803	IMPIANTO ELETTRICO APPIA II 1GR SEM	APPIA II 1GR SEM COMPLETE WIRING

CODICE	DESCRIZIONE	DESCRIPTION	END VALIDITY
00000025	VITE AQ M6x20 TC T.CR. ZINC	CALV. CROSS HEAD CAP SCREW AQ M6x20	
00000048	VITE AUTOF 2,9x4,5 TC/T.CR.	SELF-THREADING SCREW 2.9x4.5 TC/T.CR.	
00000063	RONDELLA AQ D 10x21x2 ZN	WASHER AQ D 10X21X2 ZN	
00000094	VITE INOX M8x20 TE 5739	STAINLESS STEEL HEX CAP SCREW M8x20	
00000118	VITE INOX M4x12 TCEI 5931	SS HEX SOCKET CAP SCREW M4x12	
00000126	VITE AUTOF 3,5x25 TC T.CR. ZIN	CALV. CROSSHEAD CAP SELF-TAPPING SCREW 3.5x25	
00000133	FASCETTA INOX WD12 16-25 C7 W2	STAINLESS STEEL GIRDLE WD12 16-25 C7 W2	
00000186	PRIGIONIERO M4x55 1xTC	CLOSURE STUD M4X55	
00000197	VITE INOX M6x8 TCEI ISO 4762	STAINLESS HEX SOCKET CAP SCREW M6x8	
00000205	VITE AUTOF 2,9x25 TCTCR ZIN.	SCREW AUTO 2,9x25 TCTCR ZIN	
00000213	VITE AUTOF 4,2x16 TC T.CR. ZIN	SCREW AUTO 4,2x16 TC T.CR. ZIN	
00200011	RONDELLA AQ M16 17X30X3 ZINC	GALVANISED WASHER M16 17x30x3	
00300002	DADO OT 1/4 SPESS.3 CH18 AGG. 22.07.96	BRASS NUT 1/4 SPESSOR 3	
00300005	DADO OT 1/8 GAS AGG.22.07.96 SPESS.4 CH13	BRASS NUT 1/8 GAS SPESSOR 4	
00300012	DADO OT 3/8 GAS CH22 SPESS.6 AGG. 22.07.96	BRASS NUT 3/8 GAS SPESSOR 6 HEX 22	
00300013	DADO OT 3/8 GAS SPESS.4 CH20 AGG.22.07.96	BRASS NUT 3/8 GAS SPESSOR 4	
00300021	VITE INOX M6x18 TSP TC DIN963	SS SLOTTED COUNTERSUNK SCREW M6X18 DIN963	
01000023	VALVOLINA SFIATO	ANTI VACUUM VALVE	
01000087	TUBO SCARICO 18x24,4	DRAINING TUBE 18x24,4	
01000113	TUBO FLESS INOX 3/8 A 90° F. - 3/8 F. L=1500	SS FLEXIBLE TUBE 3/8 90° BENDED 3/8 F-F L1500	
01300004	POMPANTE VOLUMETRICO 50 lt/h OT-57	VOLUMETRIC PUMP 50 lt/h	
02060015	GUARNIZIONE PTFE 067x054x2	GASKET FOR HEATING ELEMENT 067x054x2	
02280004	GUARN. OR 115 D.17 EP856 SNODO LANCIA	GASKET OR 115 D17 EP	
02280011	GUARN. OR R11 D19 EP 851	GASKET O RING R11 D19 EP 851	
02280014	GUARN. OR D7 AN2/OR102 SILICON 7XL1715	GASKET O RING D.7 AN2/OR102 SILICON	
02280020.V	GUARNIZ. SOTTOCOPPA CONICA h8,2 V - NBR 82/84 ShA	GROUP GASKET CONICAL	
02280032	GUARN. OR 114 D.15 EP 851	GASKET O RING 114 D.15 EP 851	
02280036	GUARN. OR x BECCO LANCIA VAP. DI 6x1.2	GASKET OR x STEAM WA	
02280037	GUARN. OR CHIUSURA SNODO 16x2	GASKET OR JOINT LOCK	
02290016	GUARN. OR D 9,5 R5 SILICONE R.	GASKET OR D 9,5 R5 SILICON RED	
02600004	GUARN. OR 15,2x10,2x2,5 TEFLONx SFERA LANCIA VAPORE	O- RING 15,2x10,2x2,5 TEFLONx STEAM WAND SPHERE	
03000066	DOCCIA INOX 56x5,5x 6 SALDATA Aisi304	SHOWER INOX 056X05,5	
03000072	FILTRO 1 CAFFE' ALTO 7 gr.	FILTER ONE COFFEE HIGH REPLACE 03000321	
03000073	FILTRO 2 CAFFE' ALTO 14 gr.	FILTER TWO COFFEE HIGH REPLACE 03000322	
03000107	FILTRO CIECO	BLIND FILTER	
03000202	VASCHETTA RACC.CONDENSA MASTER AGG. 07.06.97	CONDENSATION TRAY MASTER	
03001765	RETINA PIANO LAVORO 1 GR.	WORKTOP NET 1 GR.	
03001769	SUPP. TAZZINE INOX	AURELIA RAISED CUP STAND	
03001771	PIATTO RACCOGLIACQUA 1 GR.	DRIP TRAY	
03001947	LAMIERA CHIUSURA SUPPORTO CENTRALINA APPIA	SWITCHBOARD LOCK SUPPORT PLATE APPIA	
03001948	LAMIERA SUPP. PRESSOSTATO 1 GR APPIA	PRESSOSTAT SUPP. PLATE 1 GR APPIA	
03001951	CHIUSURA SICUREZZA 1 GR. APPIA	SAFETY LOCK 1 GROUP APPIA	
03001992	SUPPORTO CENTRALINA APPIA C.	SWITCHBOARD SUPPORT APPIA C.	
03002507	FIANCO DX STAMPATO TELAIO AURELIA II / APPIA II	RIGHT SIDE PRINTED FRAME AURELIA II/APPIA II	
03002509	FIANCO SX STAMPATO TELAIO AURELIA II / APPIA II	LEFT SIDE PRINTED FRAME AURELIA II/APPIA II	
03002530	STAFFA SUP. MANOM. AURELIA II	GAUGE SUPPORT AURELIA II	
03002540	LAMIERA L FISSAGGIO FIANCO AURELIA II	L SIDE FRAME FITTING PLATE AURELIAII	
03003001	INVOLUCRO COMANDI 1GR APPIA II	COMMANDS COVER 1 GR. APPIA II	
03003007	LAMIERA SUPP.INVOLUCRO COMANDI 1GR. APPIA II	COMMANDS COVER SUPPORT PLATE 1 GR. APPIA II	
03003011	PARETE PORTAGR. 1GR. APPIA II	GROUP HOLDER PANEL APPIA II 1 GR.	
03003015	LAMIERA L SUP. POSTERIORE 1GR. APPIA II	L SHAPED SUPPORT 1GR. APPIA II	
03003020	SUPP. RUB. VAPORE SX APPIA II	LEFT STEAM WAND SUPPORT APPIA II	
03003021	SUPP. RUB. VAPORE DX APPIA II	RIGHT STEAM WAND SUPPORT APPIA II	
03003031	CARENA RETRO 1GR. APPIA II	REAR COVER APPIA II 1 GR.	
03003036	PIATTO PORTATAZZE 1GR APPIA II	CUP PLATE 1 GR. APPIA II	
03003045	LAMIERA SUPPORTO CALDAIA APPIA II 1GR.	BOILER SUPPORT APPIA II 1 GR.	
03003046	MOSTRINA SUP. FIANCO DX APPIA II	TOP RIGHT STEEL PLATE APPIA II	
03003048	MOSTRINA SUP. FIANCO SX APPIA II	TOP LEFT STEEL PLATE APPIA II	
04000010	CONDENS. 6microF x 04500033 UL	CAPACITOR 6 MICRO F	
04000011	CONDENS.25 microF UL 04500036 04500037	CAPACITOR 25 microF UL 04500036 04500037	
04000023	CAVO ALIMENTAZ. UL AWG3x16 SJO SPINA USA DIRITTA 15A	SUPPLY CABLE UL AWG3x16 USA PLUG SHEATH 90°C	
04000126	CAVO ELETTR. 2mt CE SPINA SCHUKO 90° 3x1,5 H05VV-F	ELECTRIC CABLE 2MT CE SCHUKO PLUG 90° 3X1,5	
04000179	CAVO 10 VIE DISPLAY/CENTR APPIA V 1 GR. + GUAINA	10 WAYS CABLE	
04000240	CONNETT. CENTR. 2 POLI 5,08 UL	CENTR. CONNECTOR 2 POLES 5.08 UL	
04000801	CABLAGGIO COM. 1 GR V APPIA	WIRING COM. 1 GR V APPIA	
04000803	CABLAGGIO COM. 1 GR S APPIA	WIRING COM. 1 GR S APPIA	
04000810	PROTEZIONE PVC CENTR. APPIA	PVC SWITCHBOARD PROTECTION APPIA	
04060012	CAVO ALIM. 3x1,5 2mt H07RN-F SPINA BRASILE 16A INMETRO CT-506	POWER SUPPLY CABLE 3x1,5 2mt H07RN-F BRASIL PLUG INMETRO	
04060015	CAVO ALIM. AWG3x14 SJOOW 90°C UL/CSA 2mt SPINA USA DRITTA 20A	POWER CABLE AWG3x14 + PLUG 20A	
04100008	E.V. NC 3VIE 1/4-1/4 SCAR. 1/8 220V 50Hz-240V 60Hz RUBY F3 UL PIEDINO	NC 3-WAY SOLENOID 1/4-1/4 1/8 OUTLET	
04100012	E.V. NC 2VIE 1/4-1/4 220-230V 50/60HZ VITON F1.5 CE PIEDINO FIL. 1xN	EV 2W 1/4 1/4 220-230V 50/60HZ VITON F1,5 CE	
04100013	E.V. NC 2VIE 1/4-1/4 110-120V 60Hz VITON F1.5 UL PIEDINO FIL. 1xN	ELECTROVALVE 2 WAYS 110V	
04100017	E.V. NC 3VIE Basetta SCAR. 1/8 220-230V 50/60Hz RUBY F1.5 CE	EV 3W DOWNL 1/8 220-230V 50/60Hz RUBY F1,5 CE	
04100018	E.V. NC 3VIE Basetta SCAR. 1/8 110-120V 60Hz RUBY F1.6 UL	ELECTROVALVE 3 WAYS 110 UL	
04100025	E.V. NC 3VIE 1/4-1/4 SCAR. 1/8 110-120V 50/60Hz RUBY F3 UL PIEDINO FIL. 1xN	E.V. 3WAYS 1/4-1/4 1/8 110-120V 50/60Hz F3 UL	
04100027	E.V. NC 3VIE Basetta SCAR. 1/8 208-240V 60Hz RUBY F1.3 UL	EV 3W DRAIN 1/8 208-240V 60Hz RUBY D1,3 UL	
04100029	E.V. NC 2VIE 1/4-1/4 208-240V 60Hz VITON F1.5 UL PIEDINO FIL. 1xN	E.V. 2VIE AL 220/240 50/60 UL	
04200110	INTERRUTTORE BIPOLARE LUMINOSO BIANCO RETTANGOLARE UL 16A	WHITE LIGHTED BIPOLAR SWITCH UL 16A	
04500033	MOTORE EL. MASTER/PREMIER 2001 230V 50/60Hz 120W	PUMP MOTOR 230V 50/60Hz	
04500037	MOTORE ELETTRICO 115V 50/60Hz APPIA 1GR. 100W	ELECTRIC MOTOR 115V	
04900027	DOSATORE VOLUMETRICO OTT. 1/4-1/4GAS -ATT. TEST. 2,8x0,5 FORO	FLOWMETER	
04900730	CENTRALINA ELETTR. 1 GR. APPIA V.230/50-60 Hz	ELECTRONIC BOARD APPIA 1 GR.	
04900731	CENTRALINA ELETTR. 1 GR. APPIA V.110/60 Hz	ELECTR. SWITCHBOARD 1 GR APPIA V.110 60HZ	
04900735	SCHEDA EROGAZIONE 1 GR APPIA	CIRCUIT BOARD APPIA 1 GR	
04900780	SONDA PT1000 x LANCIA VAPORE "TURBO CREAM" D06 + SUPPORTO A	PROBE PT1000 X STEAM WAND "TURBO CREAM" D06	
05000001	GOMMINO PROTEZIONE LANCIA D.10	STEAM ARM RUBBER GRI	
05000018	VASCHETTA SCARICO AURELIA	DRAIN BOX	
05000037	GHIERA FILETTATA PER PANNELLI M4x0,7 NYLON BIANCO	THREADED RING NUT FOR PANELS M4 WHITE	
05000047	COPRI RESISTENZA QUADRATA V0	HEATING ELEMENT COVER	
05000063	COPRI VALVOLA SICUREZZA PA6	SAFETY VALVE COVER	
05000083	BLOCCACAVO SR 11-2 NERO	CABLE BLOCK SR 11-2	
05000815	MANOPOLA VAPORE ABS "AURELIA" 2011	STEAM LEVER HANDLE	
05000840	MANOPOLA PORTAFILTRO 2003 NERO	FILTER HOLDER KNOB 2003 BLACK	
05000842	CHIUSURA MANOPOLA PORTAFILTRO 2003	FILTER HOLDER KNOB LOCK 2003	
05000844	RIVESTIMENTO GOMMA NERA MANOPOLA PORTAFILTRO	BLACK RUBBER COVER FILTER HOLDER KNOB	

APPIA II 1 GR

CODICE	DESCRIZIONE	DESCRIPTION	END VALIDITY
05000880	PROLUNGA PIEDE ALTO 2005 D.66 H=80 mm.	TALL FOOT EXTENSION D.66 H=80 MM.	
05000901	BASAMENTO 1 GR. APPIA NERO	BASEMENT 1 GR. APPIA	
05000901.BPV	BASAMENTO 1 GR. APPIA BIANCO PERLA VERNICIATO	BASEMENT 1 GR. APPIA PEARL WHITE VARNISHED	
05000901.RV	BASAMENTO 1 GR. APPIA ROSSO VERNICIATO	BASEMENT 1 GR. APPIA RED VARNISHED	
05000908	CHIUSURA SCHEDA EROG. 1 GR	FREE VING CARD LOCK 1 GR	
05001220.C	MOSTRINA LIVELLO AURELIA II CROMATA	WATER LEVEL CHROMED FRAME AURELIA II	
05001222	PROTEZIONE VETRO LIVELLO AURELIA II	PROTECTION LEVEL GLASS AURELIA II	
05001224.C	MOSTRINA MANOMETRO AURELIA II CROMATA	WATER MANOMETER CHROMED FRAME AURELIA II	
05002210	SUPPORTO ANGOLARE PIATTO RACCOGLIACQUA	FLAT ANGULAR WATER TRAY SUPPORT ADONIS	
05002228	COLLETTORE SCARICO GRUPPI EROG	POURING UNIT DRAIN MAIN F.O.D	
05002230	TAPPO GOMMA SCARICO x 05002228	DRAIN RUBBER PLUG	
05080035	PRESSA CAFFE' ABS NERO	PLASTIC COFFEE PRESS	
05340025	GRIGLIA NYLON 178x270	NYLON GRILL 178X270	
06200008	BECCO DUE VIE OPEN	TWO WAYS SPOUT	
07300012.M8	RACC. 1/4 1/4 GAS CON OR F.M8 OT-57 USA	CONNECTION 1/4 1/4 W/OR HOLE M8	
07300013	RACCORDO L 1/4 M-F CILIN. OT-58 NICHELATO	CONNECTION L 1/4 M-F CYLIN.	
07300017	RACCORDO 1/4 3/8 GAS OT-57 USA	FITTING 1/4 3/8 GAS OT.	
07300051	RACCORDO T 1/4 M-M-M CILIN.	CONNECTION T 1/4 M-M-M CYLIN 464	
07300067	DADO RACCORDO 3/8 GAS D11 AGG. 15.11.84	NUT CONNECTION 3/8 GAS D11	
07300068	RACCORDO L 3/8 M-M CILIN. OT-58 NICHELATO	CONNECTION L 3/8 M-M CYLIN 459	
07300092	BECCO UNA VIA CURVO OPEN	SINGLE SPOUT	
07300097	TERMINALE CHIUSO D 14	TERMINAL D.14	
07300100.M8	ATTACCO SCAR. 1/4-1/4 + INT M8	FITTING 1/4" M-1/4" M INT. M8	
07300109	PREMISTOPPA LIVELLO PROGRAM * AGG. 16.04.86	GLAND LEVEL PROGRAM	
07300110	TAPPO PORTA MOLLA R.V. PR.	SPRING HOLDER TAP	
07300121	RACCORDO L 1/4 M-M CILIN 459 AGG. 18.02.97	CONNECTION L 1/4 M-M CYLIN. 459	
07300125	GIGLER M8x8 F.0,8	GIGLEUR M8X8 F.0.8	
07300126	GIGLER M8x8 F.1,5	GIGLEUR M8X8 F.1,5	
07300127	GIGLER M8x8 F.2,5	GIGLEUR M8X8 F.2,5	
07300128	TAPPO 1/4 GAS AGG.31.01.89	CAP 1/4 GAS	
07300171	TAPPO OT M20X1,5 GR. EROG.	TAPPO OT M20X1,5 GR. EROG. CAP	
07300172	RACCORDO 3/8" M-3/8" M INT M8 OT-57 USA	PIPE FITTING 3/8" M-3/8" M INT M8	
07300183	PADIGLIONE GRUPPO	GROUP HEAD CAP	
07300183.5	PADIGLIONE GRUPPO PREMIER2002 h=5 AGG. 30.08.2012	DIFFUSER h=5	
07300221	ASTA INOX RUBINETTO VAPORE	STEAM VALVE INOX SCREW	
07300225	GIGLER M8x8 F.3	GIGLEUR M8X8 F.3	
07300226	GIGLER M8x8 F.2	GIGLEUR M8X8 F.2	
07300227	RONDELLA OT D.26x13,5x1,5 AGG.5.06.03	BRASS WASHER D.26X13,5X1,5 SOSTITUISCE CODICE 07300385	
07300229	GIGLER M8x8 F.0,5	GIGLEUR M8X8 F.0,5	
07300231	GIGLER M8x8 F.1,75	GIGLEUR M8X8 F.1,75	
07300293	BUSSOLA SNODO OTTONE	BRASS BUSHING	
07300341	PERNO BLOCC. CENTRAL. VIP INOX NICHELATO L=35 AGG.29.01.98	CENTRAL LOCK VIP NICKEL PLATED L=35	
07300342	PERNO SUPPORTO CENTRAL. VIP NICHELATO	NICKEL PLATED CONTROL UNIT SUPPORT PIN	
07300355	FORCELLA RUBINETTO '99 OTTONE OT-58	TAP FORK	
07300361	RACCORDO L GIR 1/4 M-CALZAM.6 VITON 346 A NICHELATO	PIVOTING CONNECTION L 6 1/4 VITON346A	
07300365	RACCORDO T 1/4 M-F-F	T FITTING 1/4 FFM	
07300531	RACCORDO L 1/4 F CALZAM. 347	CONNECTION L 1/4 F ACTUATOR 347	
07300601	INSERTO MANOPOLA PORTAFILTRO 2003 INOX (Aisi303)	FILTER HOLDER KNOB INSERTION 2003 STAINLESS	
07300603	RACCORDO SUP. LIVELLO AURELIA	UPPER LEVEL CONNECTION AURELIA	
07300619	INSERTO PROLUNGA PIEDE ALTO ES 20 L=70 + M10	INSERTION EXTENSION TALL FOOT ES 20 L=70 M10	
07300711	NIPPO INOX H=25.5 LANCIA TURBO CREAM INCLINATA	INOX FITTING H= 25.5 TURBO CREAM TILTED WAND	
07300798	DADO RACC. 3/8 H=26 LANCIA SNODATA OTTONE NICHELATO	NUT BEND WAND	
07300800	CORPO RUB.VAPORE AURELIA II OT-58	STEAM TAP	
07300802	ATTACCO RUB. ACQUA/AUTOSTEAM AURELIA II OT-58	FASTENING WATER-AUTOSTEAM WAND AURELIA II	
07300810	SPINOTTO RUB.VAPORE AURELIA II	SPINOTTO RUB.VAPORE AURELIA IIREPLACE 07300104	
07300812	PROLUNGA FISSAGGIO SCALDATAZZE AURELIA II	EXTENTION CUP WARMER FIXING	
07300814	PROLUNGA FISSAGGIO L RETRO AURELIA II	EXTENTION L FIXING REAR SIDE AURELIA II	
08000005	MOLLA 6 ST 11,5X8,5X25 RUB.VAPORE	STEAM VALVE SPRING	
08000015	ANELLO SEEGER TIPO RS 5 INOX UNI7434 *KB*	SEEGER RING RS 5 STAINLESS STEEL	
08000017	MOLLA BLOCCA FILTRO ACC.INOX	FILTER HOLDER SPRING INOX	
08000027	MOLLA PER LANCIA SNODATA	WAND SPRING	
08000034	FASCETTA STRINGITUBO D12 *KB*	HOSE CLAMPS D12	
08000100	MOLLA INTERNA PIEDE 2005	SPRING	
09000005.1	SONDA AUTOLIVELLO COMP. L=130 CON GOLA	WATER LEVEL SENSOR	
09000004.UL	CENTRALINA AUTOLIVELLO UL 115V	SWITCHBOARD SELF-LEVEL UL 115V	
09000009	VETRO LIVELLO 112x12x1,5	SIGHT GLASS	
09000015	CENTRALINA AUTOLIVELLO 230V	AUTO WATER FILL CIRCUI 230V	
09000015.UL	CENTRALINA AUTOLIVELLO UL 230V	AUTOLEVEL CONTROL BOARD UL 230V	
09000016	RUBINET. SFERA ALLACCIO RETE 3/8 M-F	TAP CONNECTION SUPPLY 3/8 M-F	
09100003	MANOMETRO DOPPIA SCALA 2,5:15 D.60	DOUBLE SCALE GAUGE	
09200006	PRESSOSTATO MACCHINA CE/UL	PRESSOSTAT	
09500004	TERMOSTATO R.MAN. 135°C	AUTOMATIC THERMOSTAT 135°C	
11600004	TUBO SILICONE 5x9 60Sh PEROX BIANCO SEMITRASPARENTE (1mt=	SILICON PIPE WHITE 5x9 60Sh SEMI-TRANSPARENT	
11740001	TUBO TEFLON 6/4	TEFLON PIPE 4X6	
14100084	RESISTENZA 1800W 230V L=160 INCOLOY-800 1GR.	HEATING ELEMENT COVER 1800W 230V L=160 1GR.	
14100086	RESISTENZA 1500W 115V L=160 INCOLOY-800 1GR.	HEATING ELEMENT COVER 1500W 115V L=160 1GR.	
75006038.1	BECCO VAPORE M8,65x0,75 F. 1,2 ESAG. 12	STEAM TIP	
75006038.2	BECCO VAPORE M8,65x0,75 F. 1,5 ESAG. 12	STEAM NOOZLE M8,65x0	
75006070	KIT LANCIA VAPORE SNODATA INOX CON BECCO 1.5 E DADO ALTO INOX	STEAM WAND TIP 1,2 NUT H=26	
75010002	CORPO LIVELLO PR./MAC/PREMIER LAVORATO E CROMATO	METAL CASING FOR SIGHT GLASS	
82007003	ROMPIGETTO ACQUA CALDA D.23.5 F1/8"	HOT WATER DISPERSION	
98001006	PIEDE MACCHINA 06 BICOMPONENTE D.48 H=40 INSERTO M10 MASCHIO	MACHINE FEET replace 98001001	
98001008	KIT PIEDI ALTI 2006 (4 pz.)	KIT TALL FEET 2006 (4 PCS.)	
98003018	VALVOLA RITEGNO 98 ES.16	RETAIN VALVE 98 ES.16	
98004001	FILTRO INOX DIAM. 8	FILTER INOX DIAM. 8	
98004016	FILTRO INOX DIAM. 12	STAINLESS FILTER DIAM. 12	
98005021	PORTAFILTRO INCLINATO COMP. 1 VIA N.S.	COMPLETE ERGONOMIC FILTERHOLDE1 SPOUT	
98005022	PORTAFILTRO INCLINATO COMP. 2 VIE N.S.	COMPLETE FILTERHOLDER 2 WAYS ERGONOMIC	
98005024	CORPO PORTAFILTRO INCLINATO + MANOPOLA N.S.	TILTED FILTERHOLDER +HANDLE	
98006021	ASSIEME MANOPOLA VAPORE "2004" DX	COMBINED STEAM KNOB "2004" RIGHT	
98006055	KIT LANCIA VAPORE TURBOCREAM DADO ALTO APPIA II **dare KL	KIT TURBOCREAM STEAM WAND HIGH NUT APPIA II	
98007020	KIT LANCIA ACQUA C. INOX L=100 DADO ALTO COMPLETO DI ROMPI	KIT HOT WATER WAND INOX L=100 HIGH NUT WITH TAP AERATOR	
98008004	PISTONCINO CHIUSURA COMPLETO	COMPLETE STEAM VALVE PISTON	
9801000000706	ASSIEME PULSANTIERA 1GR. APPIA II PELLICOLA S + SUPPORTO	COMMANDS PANEL ASSEMBLY 1 GR. APPIA II LABEL S + SUPPORT	
9801000000707	ASSIEME PULSANTIERA 1GR. APPIA II PELLICOLA V + SUPPORTO	COMMANDS PANEL ASSEMBLY 1 GR. APPIA II LABEL V + SUPPORT	

APPRIA II 1GR

CODICE	DESCRIZIONE	DESCRIPTION	END VALIDITY
980100000007200001	ASSIEME FIANCO DX APPIA II 2 GR. NERO	RIGHT SIDE PANEL ASSEMBLY APPIA II 2 GR. BLACK	
980100000007200003	ASSIEME FIANCO DX APPIA II BIANCO PERLA	RIGHT SIDE PANEL ASSEMBLY APPIA II WHITE PAINTED	
980100000007200004	ASSIEME FIANCO DX APPIA II ROSSO	RIGHT SIDE PANEL ASSEMBLY APPIA II RED	
980100000007210001	ASSIEME FIANCO SX APPIA II 2 GR. NERO	LEFT SIDE PANEL ASSEMBLY APPIA II 2 GR. BLACK	
980100000007210003	ASSIEME FIANCO SX APPIA II BIANCO PERLA	LEFT SIDE PANEL ASSEMBLY APPIA II WHITE PAINTED	
980100000007210004	ASSIEME FIANCO SX APPIA II ROSSO	LEFT SIDE PANEL ASSEMBLY APPIA II RED	
980100000000741	ASSIEME PARETE FRONT. APPIA II 1GR.	ASSEMBLY FRONT PANEL APPIA II 1 GR.	
98013020	VALVOLA SICUREZZA A5 1/4 TARATA 1,8 BAR	SAFETY VALVE 1/4 1.8 BAR	
980300000007010001	ASSIEME CALDAIA COMP.1GR APPIA II 220-230V 50Hz	BOILER ASSEMBLY 1 GR. APPIA II 220-230V 50Hz	
980300000007010002	ASSIEME CALDAIA COMP.1GR APPIA II 110-120V 60 Hz	BOILER ASSEMBLY 1 GR. APPIA II 110-120V 60Hz	
980300055	TUBO TEFLON INT. SCAMBIATORE D.6 x 180 mm.	INT. TEFLON TUBE EXCHANGER D.6 X 180 MM.	
98030075	TUBO CAPILLARE 1/8-1/4 0,9x2x400 MANOMETRO- POMPA	CAPILLARY TUBE 1/8-1/4 0,9X2X400 MANOM.-PUMP	
98030154	TUBO 1/4-3/8 CARICO CALDAIA APPIA 1 GR.	TUBE 1/4-3/8 BOILER LOAD APPIA 1 GR.	
98030155	TUBO 1/4-1/4 SCARICO CALDAIA APPIA 1 GR.	TUBE 1/4-1/4 BOILER LOAD APPIA 1 GR.	
98030162	TUBO 1/4-1/4-3/8 ENTRATA SCAMB. APPIA 1 GR.	TUBE 1/4-1/4-3/8 HEAT EXCHANGER INPUT APPIA 1 GR.	
98030164	TUBO 1/4-1/4-1/4 ENTRATA DOSAT -EV LIVELLO APPIA 1 GR.	TUBE 1/4-1/4-1/4 DOSER-EV LEVEL APPIA 1 GR	
98030165	TUBO 1/4 1/4 MODIFICA SEMIAUT APPIA 1-2-3 GR.	TUBE 1/4 1/4 SEM CHANGE APPIA 1-2-3 GR	
98030601	CALDAIA SALDATA 1GR. APPIA II	WELDED BOILER APPIA II 1 GR.	
98030650	TUBO CALDAIA-PRESSOSTATO APPIA II 1GR.	TUBE BOILER-PRESSOSTAT APPIA II 1 GR.	
98030651	TUBO CALDAIA - MANOMETRO APPIA II 1 GR.	TUBE BOILER- MANOMETER APPIA II 1 GR.	
98030652	TUBO LIVELLO SUP. APPIA II 1GR.	TUBE TOP WATER LEVEL APPIA II 1 GR.	
98030653	TUBO LIVELLO INF. APPIA II 1GR.	TUBE BOTTOM WATER LEVEL APPIA II 1 GR.	
98030654	TUBO VALVOLA SICUREZZA APPIA II 1GR.	TUBE SAFETY VALVE APPIA II 1 GR.	
98030655	TUBO GR.EROGAZ.SUP. APPIA II 1GR.	TUBE TOP BREWING GROUP APPIA II 1 GR.	
98030656	TUBO GR.EROGAZ.INF. APPIA II 1GR.	TUBE BOTTOM BREWING GROUP APPIA II 1 GR.	
98030657	TUBO VAPORE DX APPIA II 1GR.	TUBE STEAM RIGHT APPIA II 1 GR.	
98030658	TUBO CALDAIA ACQUA CALDA APPIA II 1GR.	TUBE BOILER TO HOT WATER APPIA II 1 GR.	
98030659	TUBO E.V. - LANCIA ACQUA CALDA APPIA II 1GR.	TUBE S.V. HOT WATER WAND APPIA II 1 GR.	
98030660	TUBO LANCIA ACQUA CALDA APPIA II 1GR. VERSIONE AUTOSTEAM	TUBE HOT WATER WAND APPIA II 1 GR. AUTOSTEAM VERSION	
98030661	TUBO CALDAIA-E.V. VAPORE APPIA II 1GR. VERSIONE AUTOSTEAM	TUBE BOILER -S.V STEAM APPIA II 1 GR. AUTOSTEAM VERSION	
98030662	TUBO E.V. VAPORE-LANCIA APPIA II 1GR. VERSIONE AUTOSTEAM	TUBE BOILER -S.V STEAM APPIA II 1 GR. AUTOSTEAM VERSION	
98120001	VALVOLA NEPLAX VITON 16,5 BAR 1/8 - PORTAGOMMA	NEPLAX VITON 16,5 BAR VALVE 1/8 HOSE CLAMP	
9804000000005000001	ASSIEME GRUPPO EROG.APPIA II CE 220-230V 50Hz	GROUP ASSEMBLY APPIA II CE 220-230V 50Hz	
9804000000005000006	ASSIEME GRUPPO EROG.APPIA II ETL/CSA 208-240V 60Hz	GROUP ASSEMBLY APPIA II ETL/CSA 208-240V 60Hz	
9804000000005000010	ASSIEME GRUPPO EROG.APPIA II CSA 110-120V 60Hz	GROUP ASSEMBLY APPIA II CSA 110-120V 60Hz	
9804000000005000000	ASSIEME GRUPPO EROG.APPIA II	ASSEMBLY GROUP APPIA II	
980600000000250	ASS. RUBINETTO VAPORE + LANCIA VAPORE CON DADO ALTO APPIA II	STEAM WAND + STEAM TAP ASSEMBLY	
980600000000254	ASS. ATTACCO + LANCIA TURBO CREAM CON DADO ALTO APPIA II	ASSEMBLY CONNECTION + TURBO CREAM WAND HIGH NUT APPIA II	
980700000000050	ASSIEME ATTACCO + LANCIA ACQUA CALDA L=100 CON DADO ALTO	ASSEMBLY CONNECTION + HOT WATER WAND L=100 WITH HIGH NUT	
980700000000090	ASSIEME RUBINETTO ACQUA CALDA APPIA II 1GR	ASSEMBLY HOT WATER TAP APPIA II 1 GR.	
981600000007010000	ASSIEME PULSANTIERA COMP.APPIA II 1GR. SEM	ASSEMBLY CONTROL PANEL APPIA II 1 GR. SEM	
98160000000711	ASSIEME PULSANTIERA COMP.APPIA II 1GR. VOL	ASSEMBLY CONTROL PANEL APPIA II 1 GR. VOL	
981700000000010001	ASSIEME GR. MOTORE+POMPA 1 GR.APPIA 208-240 50HZ	COMBINED GR. ENGINE+ PUMP 1 GR. APPIA 208-240 50HZ	
981700000000010002	ASSIEME GR. MOTORE+POMPA 1 GR.APPIA 110-120 60HZ	COMBINED GR. ENGINE+ PUMP 1 GR. APPIA 110-120 60HZ	
981700000000010003	ASSIEME GR. MOTORE+POMPA 1 GR.APPIA 208-240 60HZ	COMBINED GR. ENGINE+ PUMP 1 GR. APPIA 208-240 60Hz	

APPIA II 1 GR