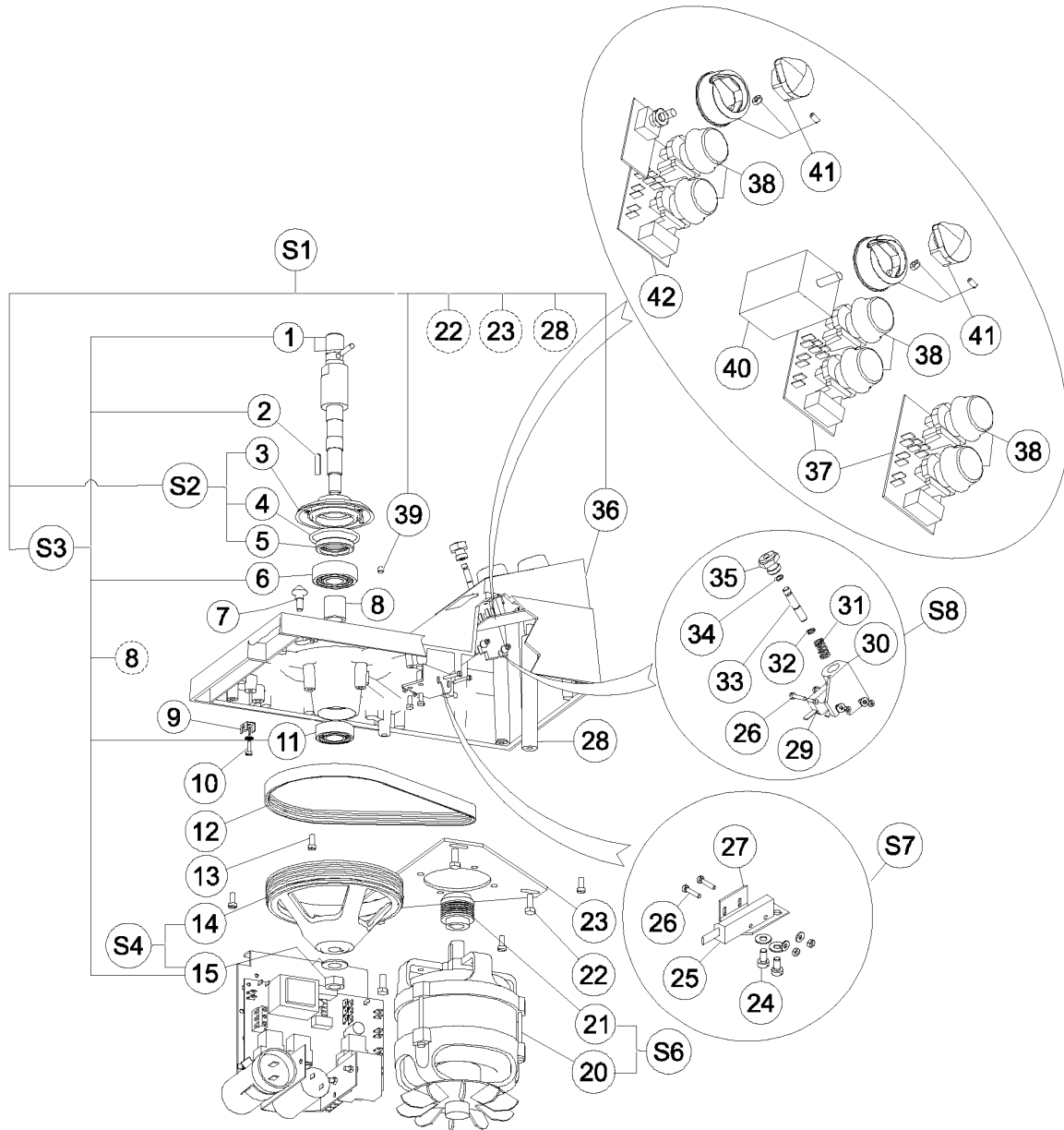


# Зип Общепит

Vue éclatée - Structure / Exploded view - Structure /  
Explosionszeichnung - Rahmen [vsezip.ru](http://vsezip.ru)

+7(812)987-08-81



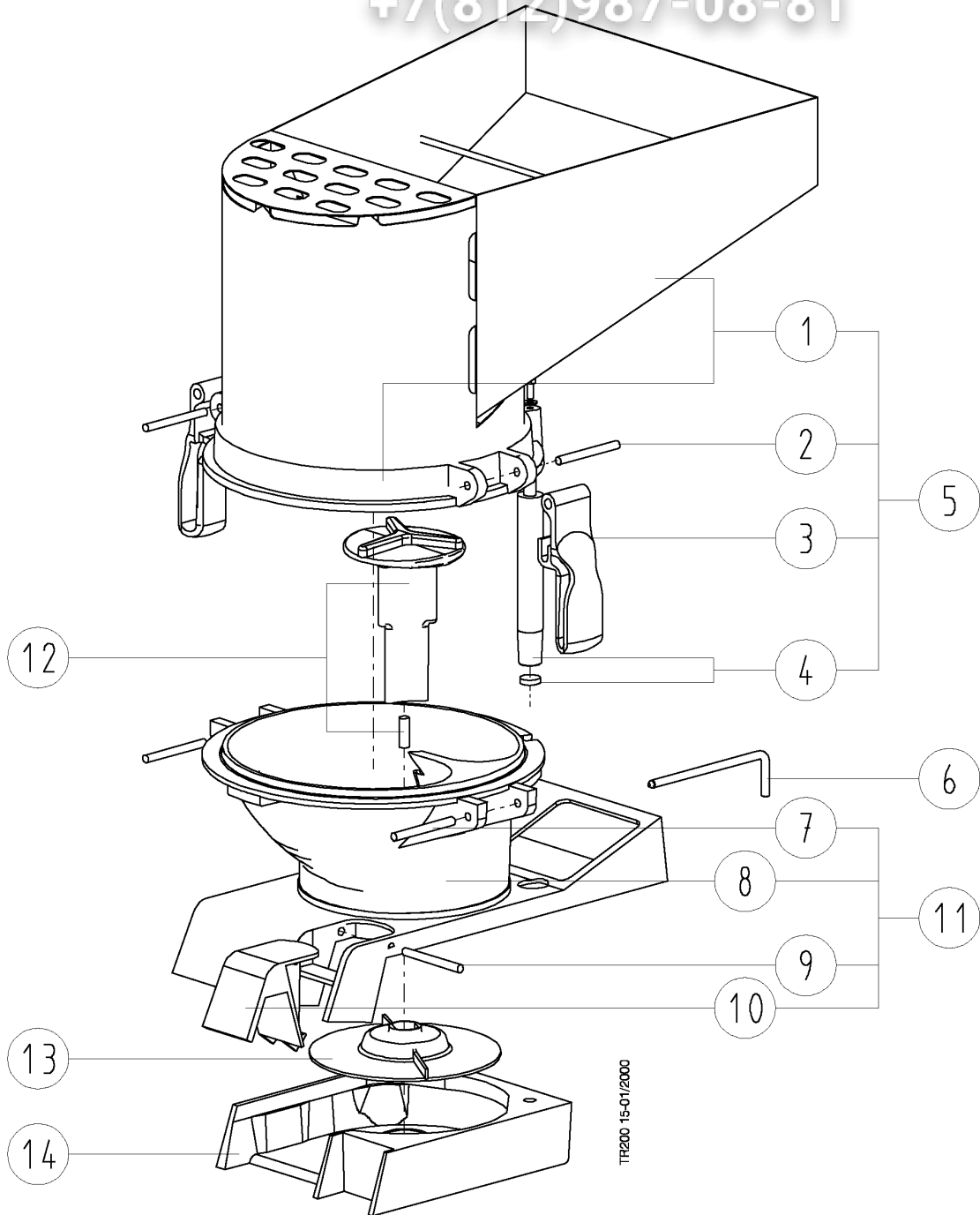
Pos.	Spare Part	Alias Code	Repl. by	S	Info	Kit	Techn. Bulletin	Description	Notes
0001	0D5131	30147						SHAFT; W/COTTER PIN	
0002	0HD008	21887						KEY; 5 PCS	
0003	000000								See S2, Voir S2, Vedi S2, Siehe S2, Ver S2
0004	0D3578	30049						O-RING 47X3 (SET X5)	
0005	0KI998	18125		S	A			RING; 28X40X7MM; FOR TRS; 5 PCS	
0006	0KI590	3047		S				BALL BEARING; 6303 2RS1	
0007	0D5107	22885						PIVOT; TRX	
0008	000000								
0009	0D3567	30038			D			BRASS EARTH TERMINAL (SET X5)	
0010	0D0520	21586						PIN; 10 PCS	
0010	0D0610	21841						K35 SCREW TC 4X8	
0011	0KJ007	3041		S	A			BALL BEARING; 6203 2 RS	
0012	085315	23099			D			TIMER	
0013	0D5132	30148			D			SCREW; M5*12 IX; 10 PCS	
0014	000000								See S4, Voir S4, Vedi S4, Siehe S4, Ver S4
0015	0D0587	21805			D			SET OF 10 PCS NUTS NYLOC M12	
0015	0D1005	26045			D			WASHER; 10 PCS	
0020	000000								See S6, Voir S6, Vedi S6, Siehe S6, Ver S6
0021	0KQ366	4268						PULLEY	
0022	0D0551	21724						SCREW; 10 PCS	
0023	0D0757	22866			D			MULTI200 MOTOR SUPPORT PLATE	
0024	034196	26024			D			SCREW 5X8MM; 10 PCS	
0024	0D0546	21696						WASHER; 10 PCS	
0025	0KJ006	12062	0D6673			+		MAGNET DETECTOR SWITCH; T10S/T15S K35,55	
0026	033986	21588				+		SCREW; 10 PCS	
0026	033987	21796				+		SCREW; 10 PCS	
0026	0D0608	21839						SCREW; 10 PCS	
0027	000000								
0028	0D0764	22919						MULTI200 MOTOR ROOL	
0029	0KQ309	5190			D			SAFETY SWITCH	
0030	0U0354	4272			A			SWITCH MOUNTING BLOCK	
0031	0D3621	4275						RESSORT TRS	
0032	0KQ485	21921			D			CIRCLIP; 10 PCS	
0033	000000								
0034	0KQ521	21526			A			SEAL; 10 PCS	
0035	000000								

Pos.	Spare Part	Alias Code	Repl. by	S	Info	Kit	Techn. Bulletin	Description	Notes
0036	000000								See S1, Voir S1, Vedi S1, Siehe S1, Ver S1
0037	OKJ586	23393		S				CONTROL BOARD; WITH PUSH-BUTTONS	
0038	OKR665	24046	0D7662					PLASTIC CAP	
0039	0D0391	18649						BERMIXER RUBBER PLUG/STRAIGHT	
0040	OKL072	16418		S	A			COMMUTATOR 3 PHASE	
0041	0D3469	29295		S	A			TIMER/POTENTIOMETER. BUTTON KIT	
0042	0D1095	28279						MULTI200 POTENTIOMET.CARD 115V	
0042	0KQ424	23546			A	+		POTENTIOMETER CONTROL CARD	
00S1	0D0852	23545						MULTI/TR200 BODY ASSEMBLY	
00S2	OKJ723	23538						SET OF SEALS	
00S3	0D0849	23537						MULTI/TR200 SHAFT ASSEMBLY	
00S4	033105	4266		S				PULLEY	
00S6	0D2690	24348						MOTOR ASSY SINGLE PH TRX	
00S6	0D2691	24349						MOTOR ASSY THREE PH TRX	
00S7	087807	23539			A			TIMER; P20/26 230/50 4C 9M	
00S8	0U0708	23547			A			MICROSWITCH	

# Зип Общепит

Vue éclatée trémie / Exploded view hopper / Explosionszeichnung -  
Trichter / Esploso - Tramoggia pestello / Despiece - Tolva \_\_\_\_\_

+7(812)987-08-81



# Зип Общепит

Model All  
Table SPTR200 Page 6 Hopper

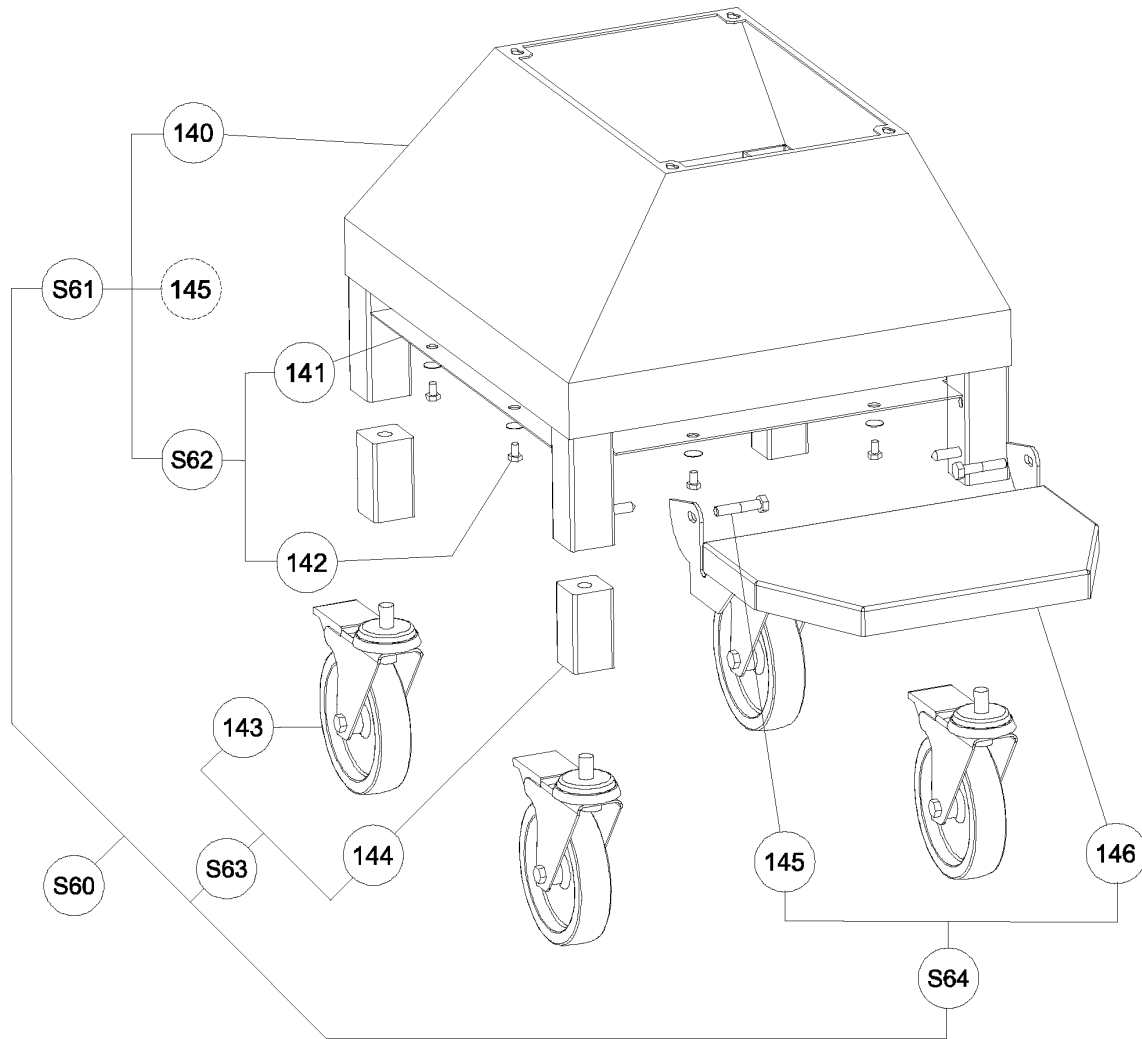
Pos.	Spare Part	Alias Code	Repl. by	S	Info	Kit	Techn. Bulletin	Description	Notes
0001	000000								
0002	000000								
0003	000000								
0004	000000								
0005	000000								
0006	000000								
0007	000000								
0008	000000								
0009	000000								
0010	000000								
0011	000000								
0012	000000								
0013	000000								
0014	000000								

vsezip.ru  
+7(812)987-08-81

# Зип Общепит

Vue éclatée chariot / Exploded view trolley / Explosionszeichnung -  
Wagen / Esploso - Carrello / Despiece - Carro

+7(812)987-08-81

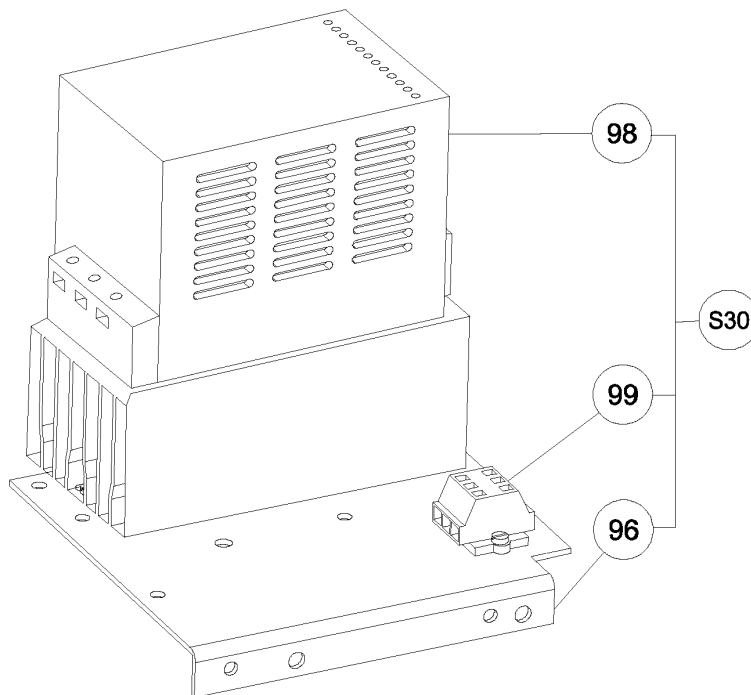
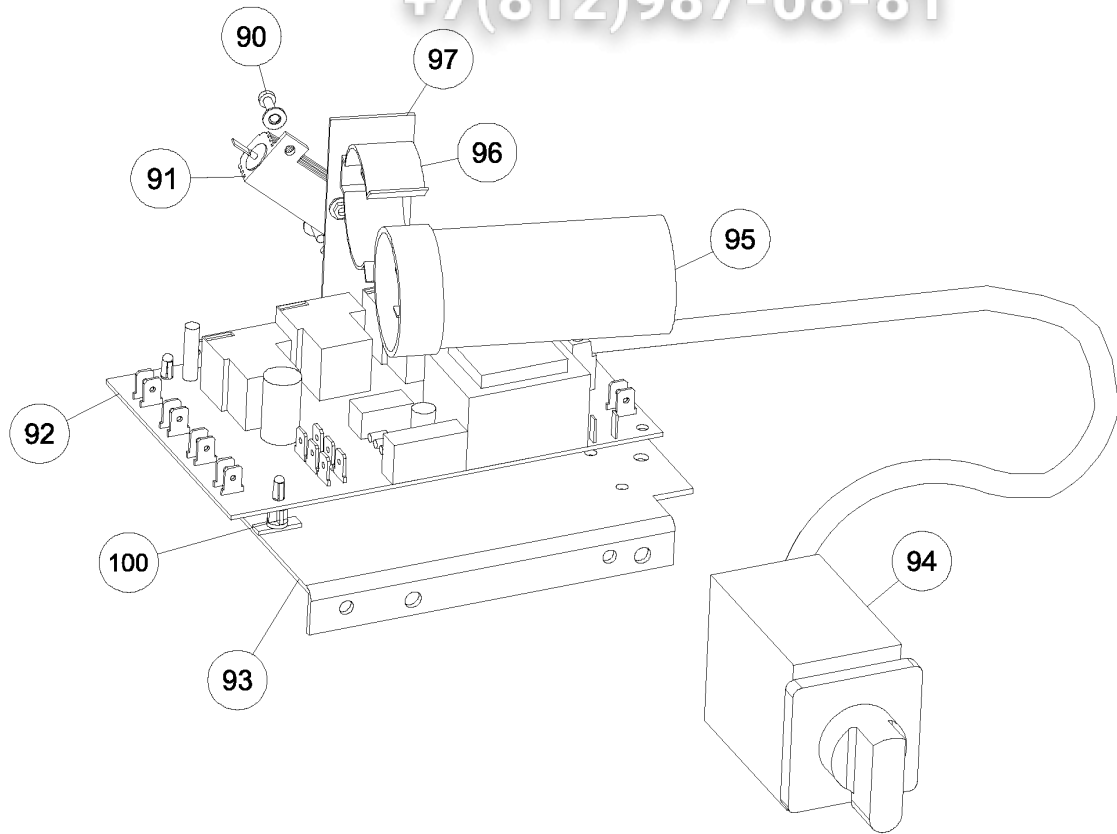


Pos.	Spare Part	Alias Code	Repl. by	S	Info	Kit	Techn. Bulletin	Description	Notes
0140	000000								See S61, Voir S61, Vedi S61, Siehe S61, Ver S61
0141	000000								See S62, Voir S62, Vedi S62, Siehe S62, Ver S62
0142	0D0506	21529			D			SCREW; 10 PCS	
0142	0D0625	21861						WASHER; 10 PCS	
0143	000000								See S63, Voir S63, Vedi S63, Siehe S63, Ver S63
0144	0D5108	23392			D			FIXING; R47-36/40 952849+ACC.	
0145	0D5141	30165			D			SCREW; M8*40-30 IX; 10 PCS	
0146	000000								See S64, Voir S64, Vedi S64, Siehe S64, Ver S64
0S60	0D2577	23624			D			TROLLEY ASSY TR200	
0S61	0D5138	30162			D			TROLLEY EQ TR200	
0S62	0D5139	30163			D			BOTTOM EQ TR200	
0S63	0D6037	29822			D			ROUE EQUIPEE TR200	
0S64	0D5140	30164			D			SHELF; EQ TR200	

Vue éclatée / Exploded view / Explosionszeichnung / Esploso /  
Despiece

Platine électrique bi-vitesse / electric platinum bi-speed / elektrisches Platin  
Bi-Geschwindigkeit / platino elettrico vi-velocità / platino eléctrico Bivelocidad

+7(812)987-08-81



Platine électrique vitesse variable / electric platinum variable speed / elektrisches Platin  
veränderliche Geschwindigkeit / platino elettrico velocità variable / platino eléctrico velocidad variable



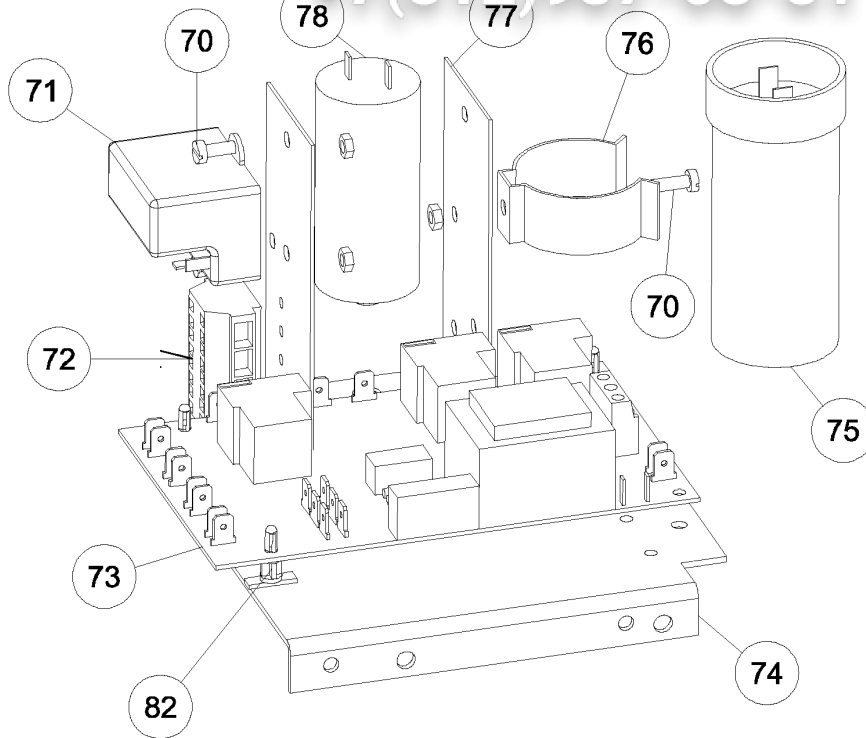
Pos.	Spare Part	Alias Code	Repl. by	S	Info	Kit	Techn. Bulletin	Description	Notes
0090	0D5136	30160			D			SCREW; C 3*12 NYLON; 10 PCS	
0090	0D5137	30161						WASHER; PE 4.5*10; PCS 10	
0091	033891	24109			A			RESISTOR	
0092	0KJ778	23395	0D7962		A			POWER BOARD; 3-PHASE	
0093	000000								
0094	0KL072	16418			S	A		COMMUTATOR 3 PHASE	
0095	0KQ662	11466			S	A		CONDENSER	
0096	0U0242	1127			D			HOLDER	
0097	000000								
0098	000000								See S30, Voir S30, Vedi S30, Siehe S30, Ver S30
0099	0D0018	12152						TERMINAL BOARD	
0100	0D2848	24949						PRINTED CIRCUIT FIXING SPACER (SET X6)	
0S30	0KQ426	23541			A			FREQUENCY CONVERTER	

Vue éclatée / Exploded view / Explosionszeichnung / Esploso /  
Despiece

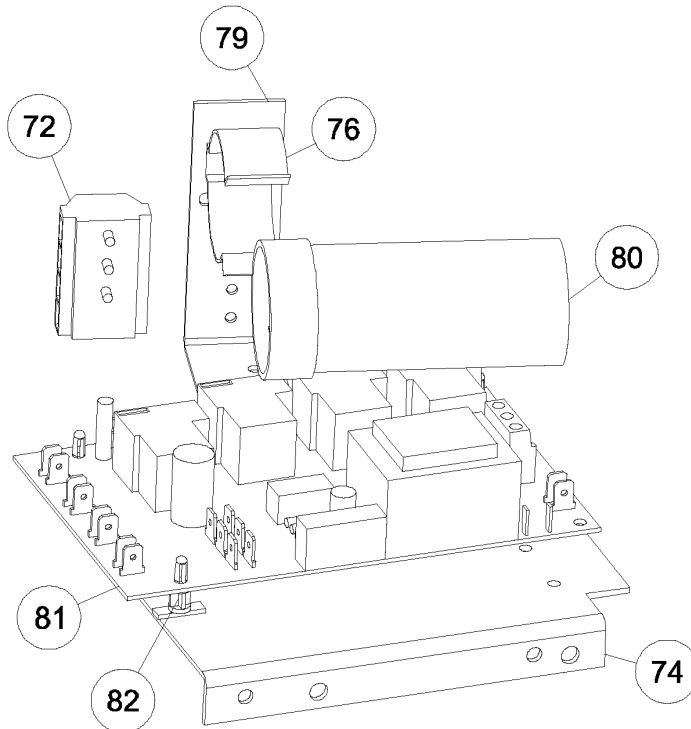
Platine électrique Monophasé / electric platinum single phase / elektrisches  
Platin einphasing / platino elettrico monofase/ platino eléctrico monofásico

vsezip.ru

+7(812)987-08-81



Platine électrique Triphasé/ electric platinum three phase / elektrisches Platin  
Dreiphasenstrom / platino elettrico triphase/ platino eléctrico trifásico



Model All

Table SPTR200 Page 12 Electronic board

Pos.	Spare Part	Alias Code	Repl. by	S	Info	Kit	Techn. Bulletin	Description	Notes
0070	0D0610	21841						K35 SCREW TC 4X8	
0070	0KL159	21795						NUT; 10 PCS	
0071	0KQ319	4970	0D3329		A			RELAY	
0072	0D5135	30159						TERMINAL; 5 PCS	
0073	0KQ429	23394		S	A			POWER BOARD; 1-P 220/240V-50/60HZ	
0074	000000								
0075	0U0471	9296		S	A			START CAPACITOR; 90MF - 275V	
0076	0U0242	1127			D			HOLDER	
0077	0D6209	23352						SUPPORT COMPOSANT BM20	
0078	0U0403	5370		S	A			RUN CAPACITOR RC14	
0079	0D5121	31191	0D0810					BRACKET; CONDENSER; TRS MONO	
0080	0KQ662	11466		S	A			CONDENSER	
0081	0KJ778	23395	0D7962		A			POWER BOARD; 3-PHASE	
0082	0D2848	24949						PRINTED CIRCUIT FIXING SPACER (SET X6)	