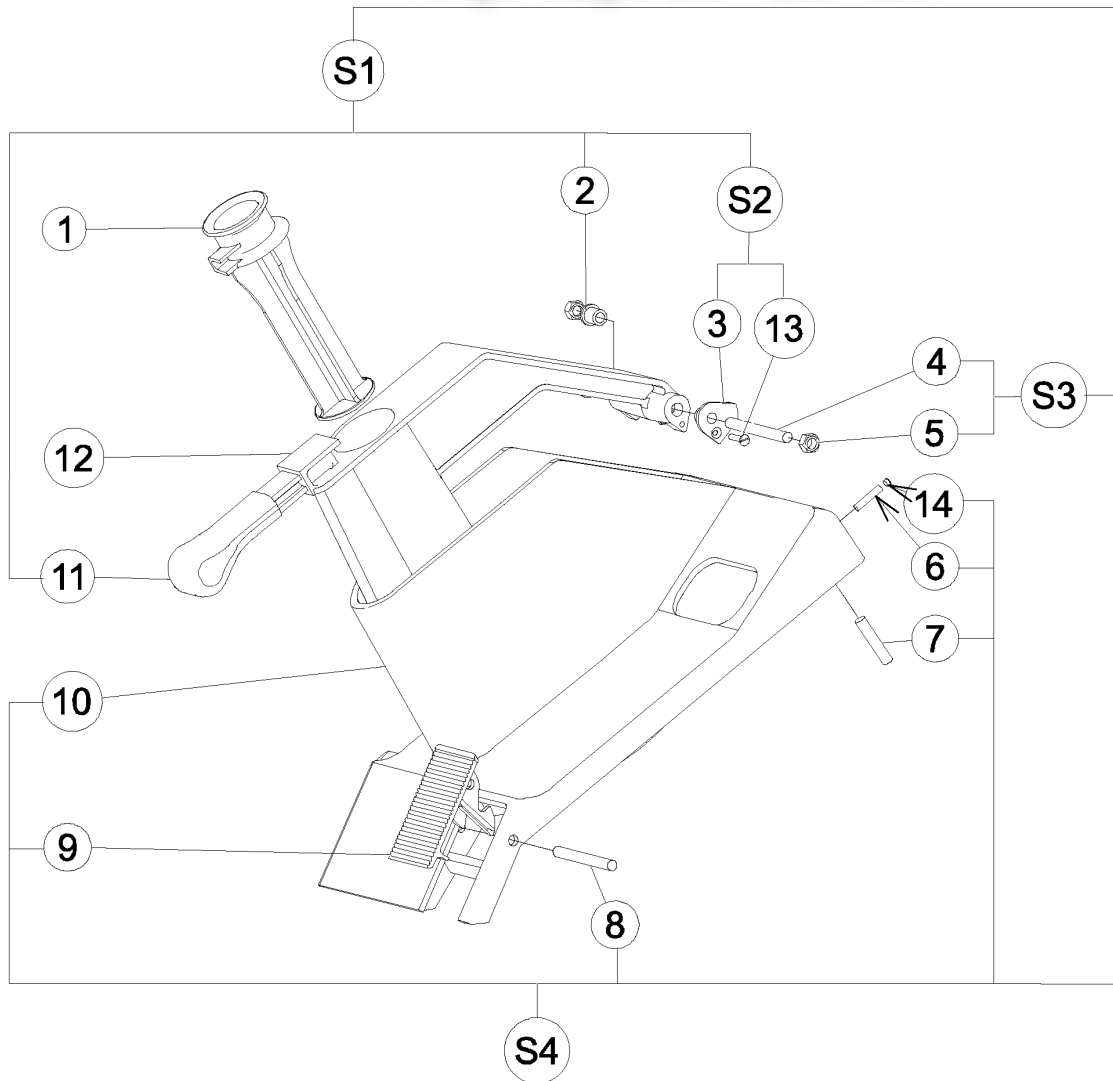


Vue éclatée Trémie / Hopper exploded view / Explosionszeichnung - Trichter / Explosions- Tramoggia pestello / Despiece - Tolva

+7(812)987-08-81

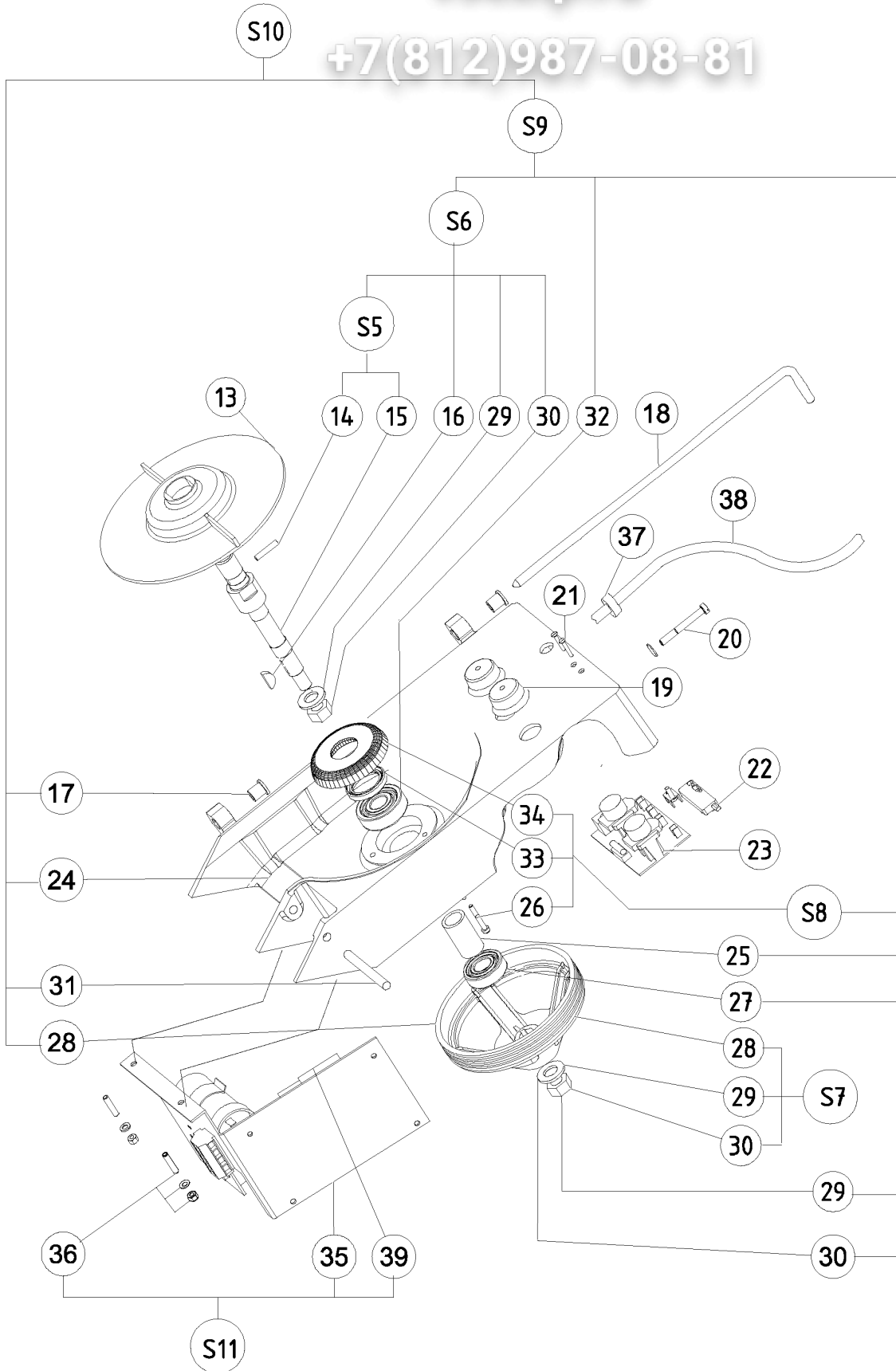


Зип Общепит

Pos.	Spare Part	Alias Code	Repl. by	S	Info	Kit	Techn. Bulletin	Description	Notes
0001	000000	18272							
0002	0KJ599	18153		S	A			BUSHING; 5 PCS	
0003	000000	4259							
0004	000000								
0005	0KL161	18662						CAP NUT ; 10 PCS /M8	
0006	0D0522	21592				+		SCREW; 10 PCS	
0007	0KI586	3398		S	A	+		MAGNET	
0008	033596	4258		S	A			PIN	
0009	0KI095	4257		S	A			LOCKING LEVER	
0010	0KI788	4267						COVER	
0011	033638	6099		S	A			HANDLE	
0012	000000								
0013	0KQ480	21953						SCREW; 10 PCS	
0014	0D3482	29317						PLUG T10 (SET X10)	
00S1	0KI993	6434		S	A			ALUMINUM LEVER + CAM; TRS	
00S2	0U0446	8047		S	A			PLASTIC CAM	
00S3	0KQ540	20702		S	A			AXIS	
00S4	0KL205	4990		S	A			HOPPER	

Vue éclatée Corps / Body exploded view /
Explosionszeichnung - Körper

+7(812)987-08-81

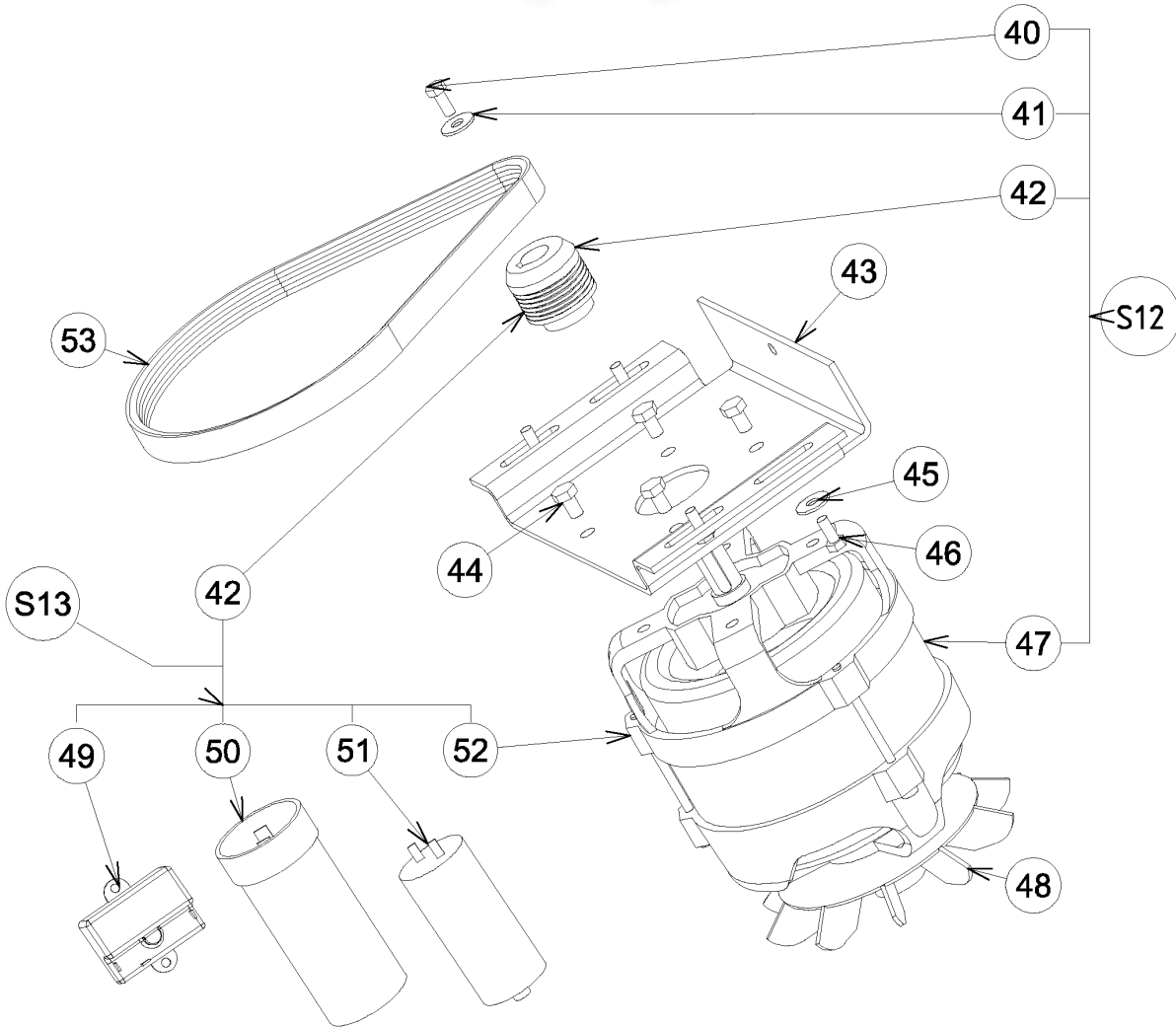


Pos.	Spare Part	Alias Code	Repl. by	S	Info	Kit	Techn. Bulletin	Description	Notes
Model	All								
Table	SP TRS								
Page	4								
Body exploded view									
0013	OKJ002	4277		S				EJECTOR DISK	
0014	OKJ001	18689	0D7860	S	A			SCREW; 5X24; INOX; 10 PCS	
0015	000000								
0016	OKQ556	18684						KEY; 10 PCS	
0017	OKJ599	18153		S	A			BUSHING; 5 PCS	
0018	0D3588	30059		S				HOPPER LID PIVOT; TRS	
0019	OKR665	24046	0D7662					PLASTIC CAP	
0020	0D0511	21546						SCREW; 10 PCS	
0021	0D3416	29131						SCREW F M3X20 STLESS STL SET X10 TRS	
0022	0D2946	28058		S				COMPLETE PROXIMITY DETECTOR CRUDI	
0023	OKJ586	23393		S				CONTROL BOARD; WITH PUSH-BUTTONS	
0024	000000								
0025	OKI789	4264		S				SPACER	
0026	0U0655	21572						SCREWCAP LEAD; 3 PCS	
0027	OKJ007	3041		S	A			BALL BEARING; 6203 2 RS	
0028	000000								
0029	0D0545	21690						SCREW; 10 PCS	
0030	0D0588	21806						NUT; 10 PCS	
0031	033596	4258		S	A			PIN	
0032	OKI590	3047		S				BALL BEARING; 6303 2RS1	
0033	OKI998	18125		S	A			RING; 28X40X7MM; FOR TRS; 5 PCS	
0034	000000								
0035	000000								
0036	0D0579	21797						NUT; 10 PCS	
0036	0D3415	29130			D			SCREW SHC 5X30 STLESS STL SET X10	
0036	OKQ491	21854						WASHER; 10 PCS	
0037	0D3511	29545						GROMMET DA8X16X6 MVS (SET X5)	
0037	0D6160	30127			D			PASSEFIL DA 9X16X4 JEU X5	
0038	0D1320	5990						TRS 1/PHASE CABLE + GROMMET	
0038	0D3680	5989						CABLE THREE PH TRS	
0039	OKJ778	23395	0D7962		A			POWER BOARD; 3-PHASE	
0039	OKQ429	23394		S	A			POWER BOARD; 1-P 220/240V-50/60HZ	
00S5	0D0117	11171		S	A			TRS SHAFT + PIN	
00S6	OKJ000	4291		S				DRIVING SHAFT; TRS	
00S7	033105	4266		S				PULLEY	
00S8	OKI999	5993		S	A			FLANGE + SCREW; TRS	

Зип Общепит

Pos.	Spare Part	Alias Code	Repl. by	S	Info	Kit	Techn. Bulletin	Description	Notes
00S9	0KQ361	4290		S	A			SHAFT ASSEMBLY; TRS	
0S10	0U0356	4294						BODY	
0S11	0D0050	23801			D			THREE PHASE ELECTRICAL EQUIPMENT	
0S11	0D3421	29136						KIT; PCB 230V TRS	

+7(812)987-08-81



Model All

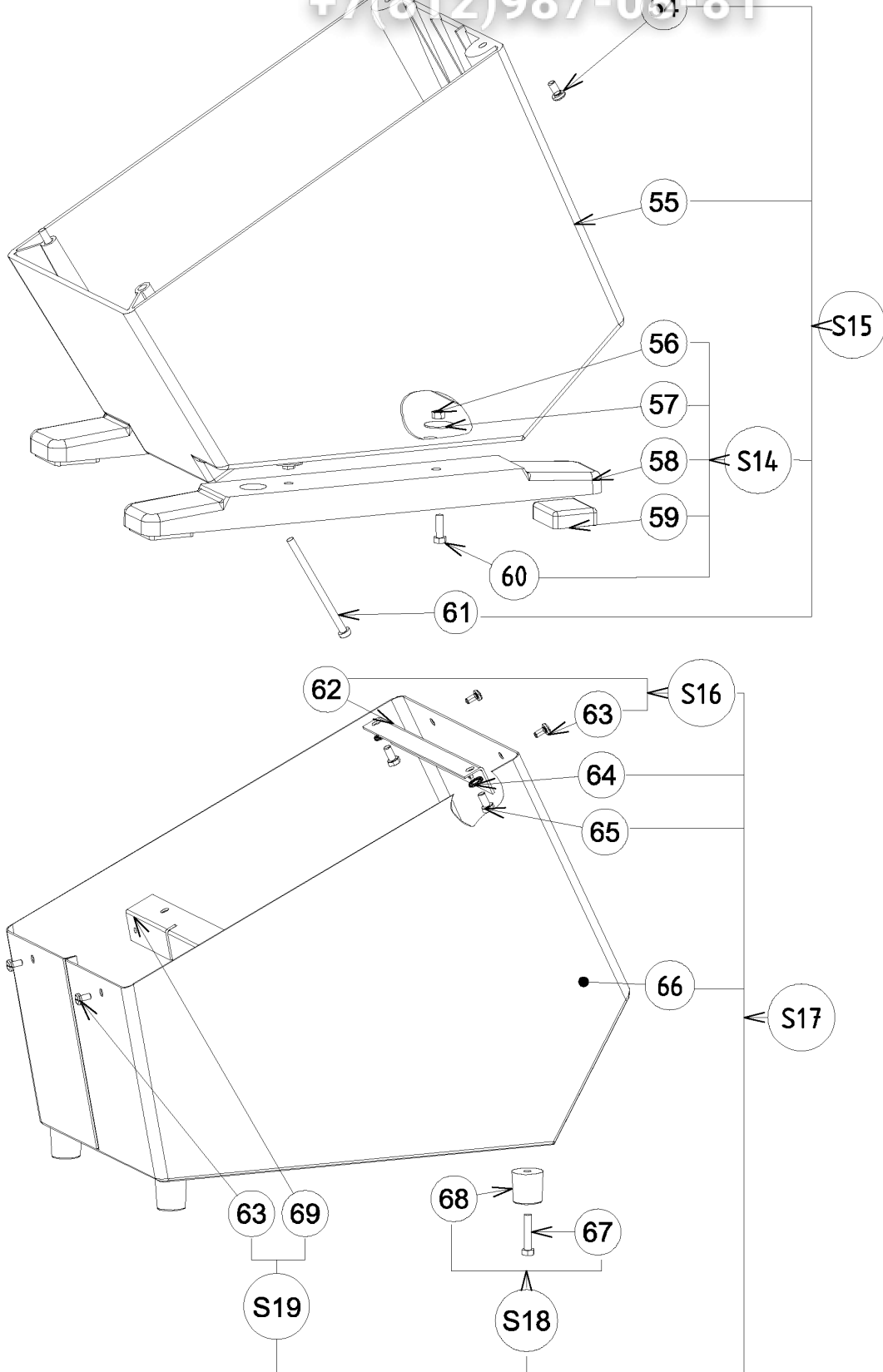
Table SP TRS Page 8 Motorexploded view

Pos.	Spare Part	Alias Code	Repl. by	S	Info	Kit	Techn. Bulletin	Description	Notes
0040	000000								
0041	000000								
0042	0KQ366	4268						PULLEY	
0043	0KQ365	4270						MOTOR BLOCK	
0044	0D0594	21817						SCREW; 10 PCS	
0045	0D0625	21861						WASHER; 10 PCS	
0046	0D0506	21529			D			SCREW; 10 PCS	
0047	000000								
0048	0D1442	7950	0D3570		D			TRS/TR21NM/T10 FAN 1PC347	
0049	0D3329	28982		S	A			KLIXON; 4CR2-692-230V	
0050	0KQ662	11466		S	A			CONDENSER	
0050	0U0403	5370		S	A			RUN CAPACITOR RC14	
0051	0U0471	9296		S	A			START CAPACITOR; 90MF - 275V	
0052	0D3570	30041						MOTOR; 230/240 50HZ 370W	
0053	000000	3020							
0S12	0D0887	23800						TRS MOTOR ASSY 3 230/400 50; 3 PHASE	
0S13	0KQ270	6404						MOTOR; SINGLE PHASE	

Зип Общепит

Vue éclatée Caisson-Caisson inox / Stainless steel casing /Casing exploded view / Explosionszeichnung - Edelstahlgehäuse

+7(812)987-08-81



J

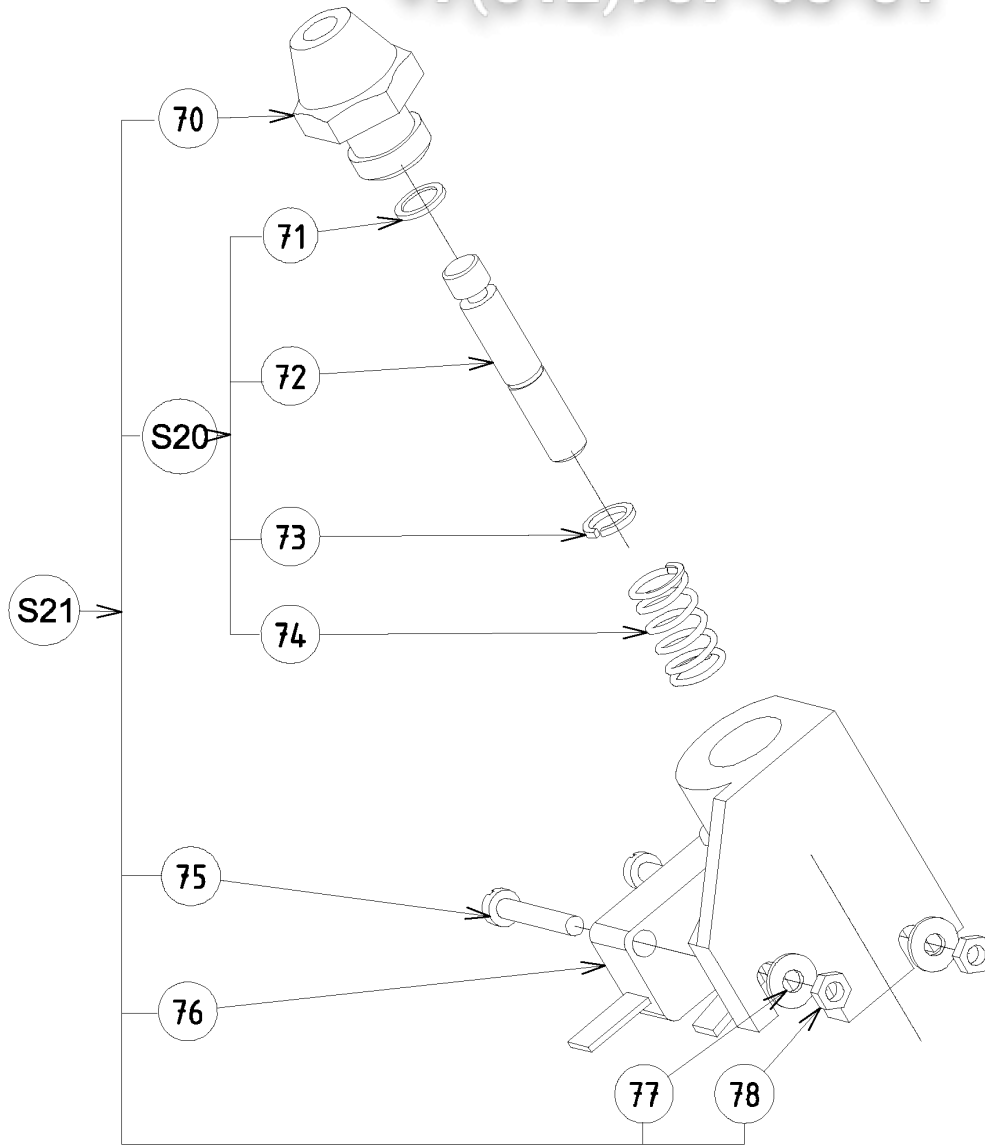
TRS FR 10 04

Pos.	Spare Part	Alias Code	Repl. by	S	Info	Kit	Techn. Bulletin	Description	Notes
0054	0D0523	21593						SCREW; 10 PCS	
0055	000000								
0056	0D0500	21511			D			M5 NUT	
0057	0D0501	21513						WASHER; 10 PCS	
0058	000000								
0059	0KQ363	4280		S				FOOT; 40X35X20 MM	
0060	0D0607	21838						SCREW; 10 PCS	
0061	0D0405	18695						TR21 TC 5X80 AC.CD SCREW X10	
0062	000000								
0063	0KQ527	21506						SCREW; 10 PCS	
0064	0KQ491	21854						WASHER; 10 PCS	
0065	0D0506	21529			D			SCREW; 10 PCS	
0066	000000								
0067	0D3216	28681						SCREW HM5X25 STLESS STL SET X10	
0068	000000								
0069	000000								
0S14	032629	2749		S				LEG FOOT	
0S15	032539	4289	0D5039		D			HOUSING	
0S16	0D0813	23242						REAR SQUARE	
0S17	0U0488	9827						CASING (S/STEEL)	
0S18	000000	29132							
0S19	0D3418	29133						FRONT BRACKET CASING STLESS STL TRS	

Зип Общепит

Vue éclatée - Sécurité levier / Lever safety device - Exploded view / Explosionszeichnung - Sicherheitshebel / Esploso - Sicurezza leva / Despiece - Seguridad palanca

+7(812)987-08-81



Model All

Table SP TRS Page 14 Lever safety device - Exploded view

Pos.	Spare Part	Alias Code	Repl. by	S	Info	Kit	Techn. Bulletin	Description	Notes
0070	0KQ362	4281						BUSH	
0071	0KQ521	21526			A			SEAL; 10 PCS	
0072	000000								
0073	0KQ485	21921			D			CIRCLIP; 10 PCS	
0074	0D3621	4275						RESSORT TRS	
0075	0D0608	21839						SCREW; 10 PCS	
0076	0KQ309	5190			D			SAFETY SWITCH	
0077	033986	21588				+		SCREW; 10 PCS	
0078	033987	21796				+		SCREW; 10 PCS	
0S20	0KQ220	7605		S				PLUNGER	
0S21	0D3414	29129						LEVER SAFETY BOX+ MICROSWITCH ASSY TRS	