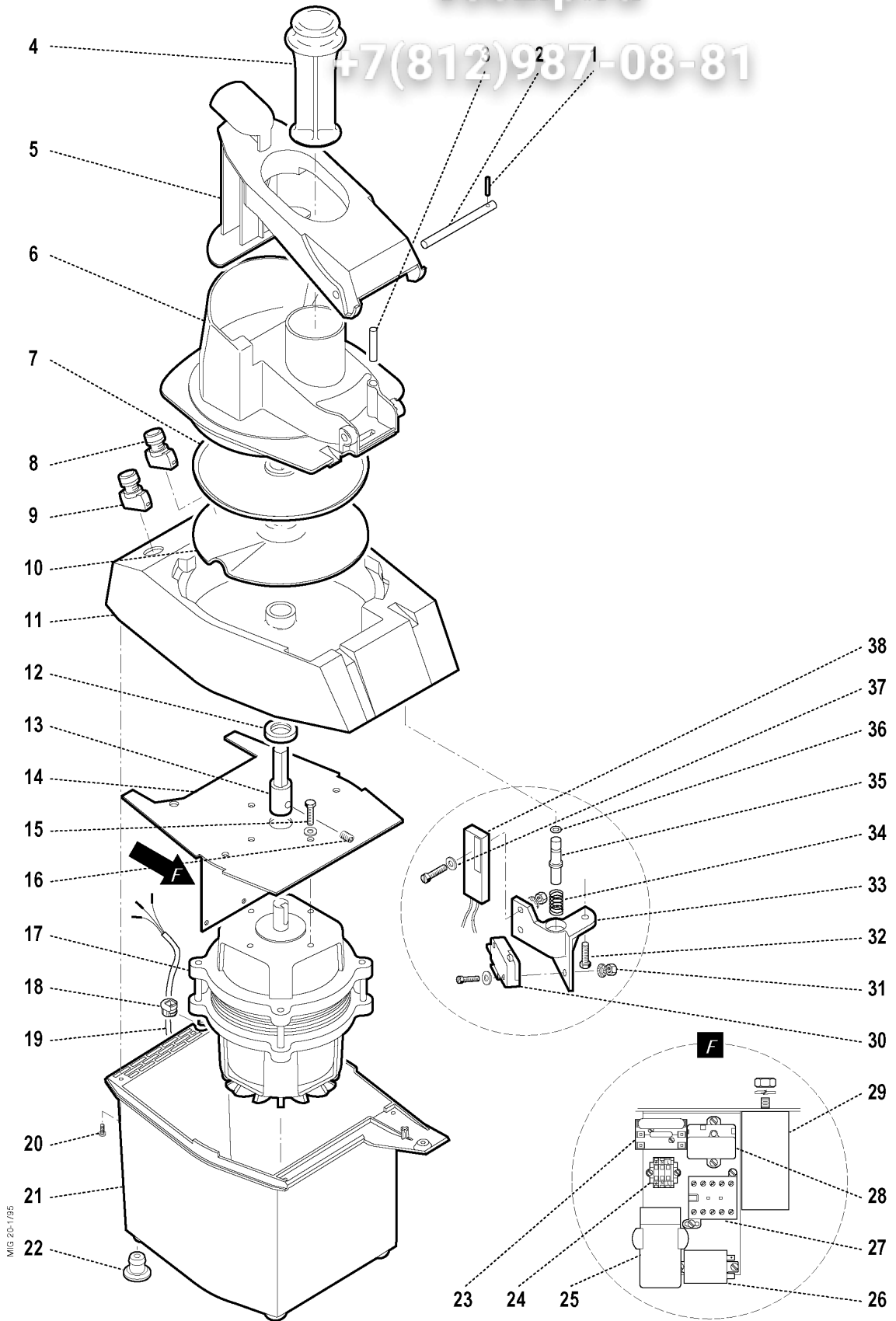


+7(812)987-08-81



MIG 2D-1795

| Pos. | Spare Part | Alias Code | Repl. by | S | Info | Kit | Techn. Bulletin | Description | Notes |
|-------|-------------------------------------|------------|----------|---|------|-----|-----------------|----------------------------------|------------------|
| Model | All | | | | | | | | |
| Table | SPMINI-MICHTVGREEN Page 2 Main view | | | | | | | | |
| 0001 | 0KQ483 | 3692 | | | | | | PEG; 10 PCS | GO1 3x20 |
| 0002 | 0U0465 | 9208 | | | | | | HINGE PIN | |
| 0003 | 0KJ062 | 8343 | | S | A | | | MAGNET; 8X35 | 8x35 |
| 0004 | 0U0466 | 9210 | | | A | | | FEEDSTICK | |
| 0005 | 0U0464 | 9207 | | | A | | | PUSHER | |
| 0006 | 033936 | 9206 | 653770 | | | | | FEED ASSEMBLY | |
| 0007 | 000000 | | | | | | | | Vedi 3.2 |
| 0008 | 0KJ038 | 12164 | | S | A | | | START BUTTON | |
| 0009 | 000000 | 12169 | | | | | | | |
| 0010 | 0K1843 | 9209 | | S | A | | | EJECTOR DISK; TR17; GREY | |
| 0011 | 0D1537 | 9202 | 0D7359 | | | | | MINI/MULTI GREEN EQUIPPED BODY | |
| 0012 | 0U0462 | 9203 | | | | | | OIL SEAL 20 X 32 X 7 | 20x32x7 |
| 0013 | 0D1535 | 9235 | 0D0788 | | | | | MINI GREEN DRIVE SHAFT | |
| 0014 | 0D3877 | 9236 | | | | | | MOTOR COMPONENT SUPPORT TR17 | |
| 0015 | 000000 | 3505 | | | | | | | H M6x12 |
| 0015 | 000000 | 3782 | | | | | | | CSL 6 |
| 0016 | 0D0605 | 9290 | | | | | | SCREW; 10 PCS | SHC M5x6 |
| 0017 | 000000 | | | | | | | | Vedi 2.3 |
| 0018 | 0D1155 | 3155 | 0D3566 | | | | | TR21 GROMMET - HEYCO 6P 34 - | |
| 0019 | 0KL080 | 3400 | | S | | | | CABLE K35 | |
| 0020 | 000000 | 9204 | | | | | | | TP K40/16 |
| 0021 | 0D1536 | 9201 | 0D7355 | | | | | MINI/MULTI GREEN EQUIP.CASING | |
| 0022 | 0KQ204 | 9299 | | | | | | FOOT | |
| 0023 | 0D0606 | 3565 | | | D | | | SCREW; 10 PCS | M3x8 |
| 0023 | 0D1347 | 6377 | | | | | | TRS INSOLATING PLATE | |
| 0023 | 0U0468 | 9237 | | | A | | | RESISTOR | |
| 0024 | 0D0018 | 12152 | | | | | | TERMINAL BOARD | |
| 0024 | 0D0606 | 3565 | | | D | | | SCREW; 10 PCS | C M3x8 |
| 0025 | 000000 | 3570 | | | | | | | C M4x8 |
| 0025 | 000000 | 9295 | | | | | | | |
| 0025 | 0D3878 | 9294 | 033326 | | A | | | STARTER CONDENSER DEMA 75MF 275V | 90-112 MF - 275V |
| 0026 | 033986 | 3747 | | | | | | SCREW; 10 PCS | M 3 |
| 0026 | 0D0013 | 5191 | | | A | | | RELAY; 240/250 V. | 240 V |
| 0026 | 0D0606 | 3565 | | | D | | | SCREW; 10 PCS | C M3x8 |
| 0027 | 000000 | 3570 | | | | | | | C M4x8 |
| 0027 | 0U0469 | 9241 | | | A | | | CONTACTOR (TELEMECANIQUE) | |

| Pos. | Spare Part | Alias Code | Repl. by | S | Info | Kit | Techn. Bulletin | Description | Notes |
|-------|-------------------------------------|------------|----------|---|------|-----|-----------------|---|---------------|
| Model | All | | | | | | | | |
| Table | SPMINI-MIGHTYGREEN Page 2 Main view | | | | | | | | |
| 0028 | 000000 | 3571 | | | | | | | C M4x12 |
| 0028 | 0U0352 | 3910 | 0D3329 | | | | | KLIXON RELAY 2CF3 TR3 VEG PREP | |
| 0029 | 000000 | 3662 | | | | | | | Hm M8 |
| 0029 | 000000 | 9015 | | | | | | | CSM 8 |
| 0029 | 0KQ446 | 4963 | | | A | | | CAPACITOR | 12 MF - 400 V |
| 0030 | 0KQ309 | 5190 | | | | | | SAFETY SWITCH | |
| 0031 | 000000 | 3765 | | | | | | | DE 3 |
| 0031 | 033986 | 3747 | | | | | | SCREW; 10 PCS | M 3 |
| 0031 | 033987 | 3650 | | | | | | SCREW; 10 PCS | HU M 3 |
| 0031 | 0D0608 | 3567 | | | | | | SCREW; 10 PCS | C M3x20 |
| 0032 | 000000 | 9204 | | | | | | | TP K40/16 |
| 0033 | 000000 | 9218 | | | | | | | |
| 0034 | 0D3621 | 4275 | | | | | | RESSORT TRS | |
| 0035 | 0D1534 | 9219 | | | | | | MINI GREEN PIN ACTUATING | |
| 0036 | 0KQ521 | 3102 | | | A | | | SEAL; 10 PCS | 2,9x1,78 |
| 0037 | 000000 | 3566 | | | | | | | C M3x16 |
| 0037 | 000000 | 3765 | | | | | | | DE 3 |
| 0037 | 033986 | 3747 | | | | | | SCREW; 10 PCS | M 3 |
| 0037 | 033987 | 3650 | | | | | | SCREW; 10 PCS | HU M 3 |
| 0038 | 000000 | 16404 | | | | | | | 120 V |
| 0038 | 0KJ006 | 16403 | | | | | | MAGNET DETECTOR SWITCH; T10S/T15S K35,55 | 240 V |