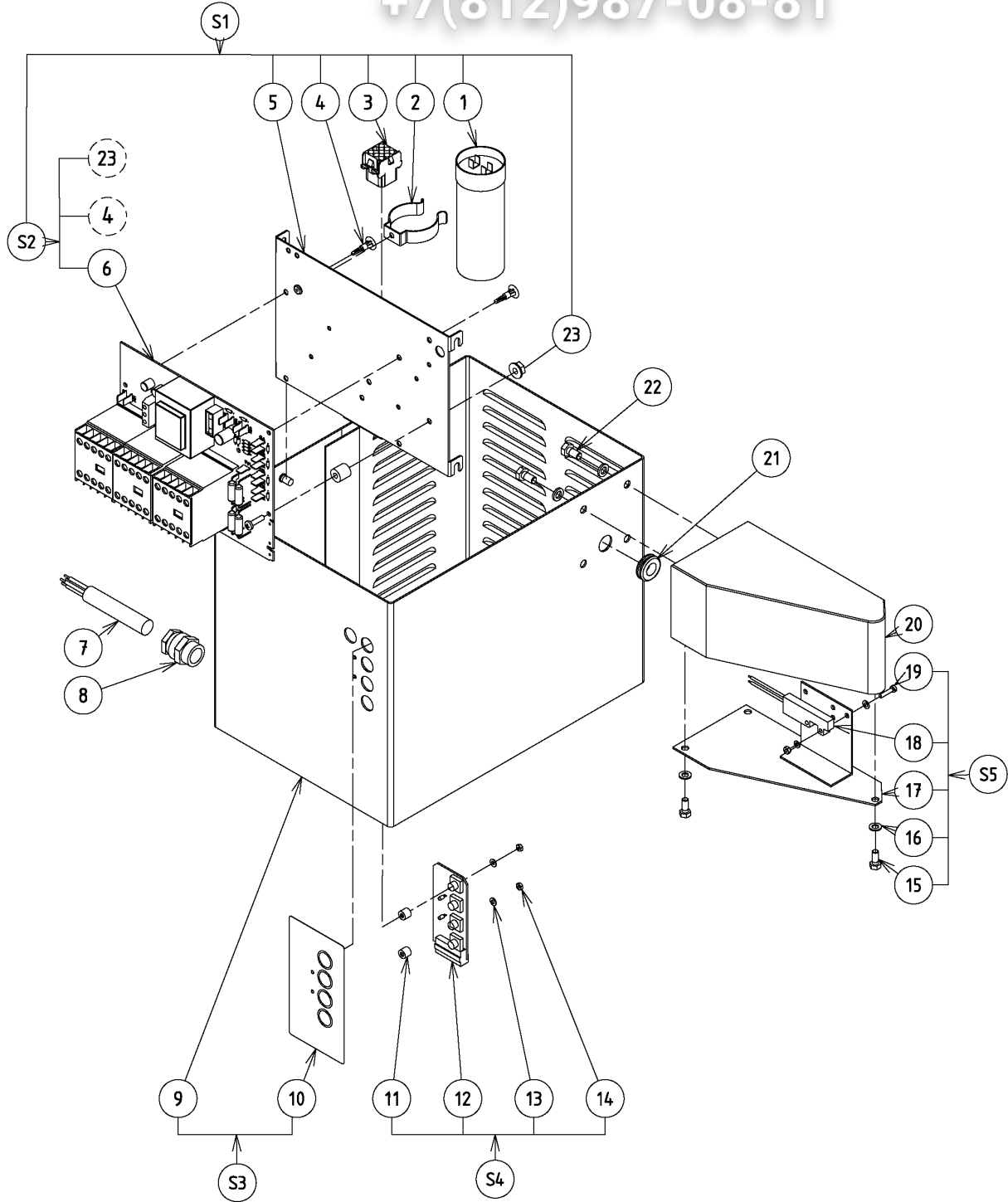


Vue éclatée - Caisson + commande / Exploded view Casing + tactile control / Explosionszeichnung Gehäuse + Touch-Bedienerfeld

+7(812)987-08-81



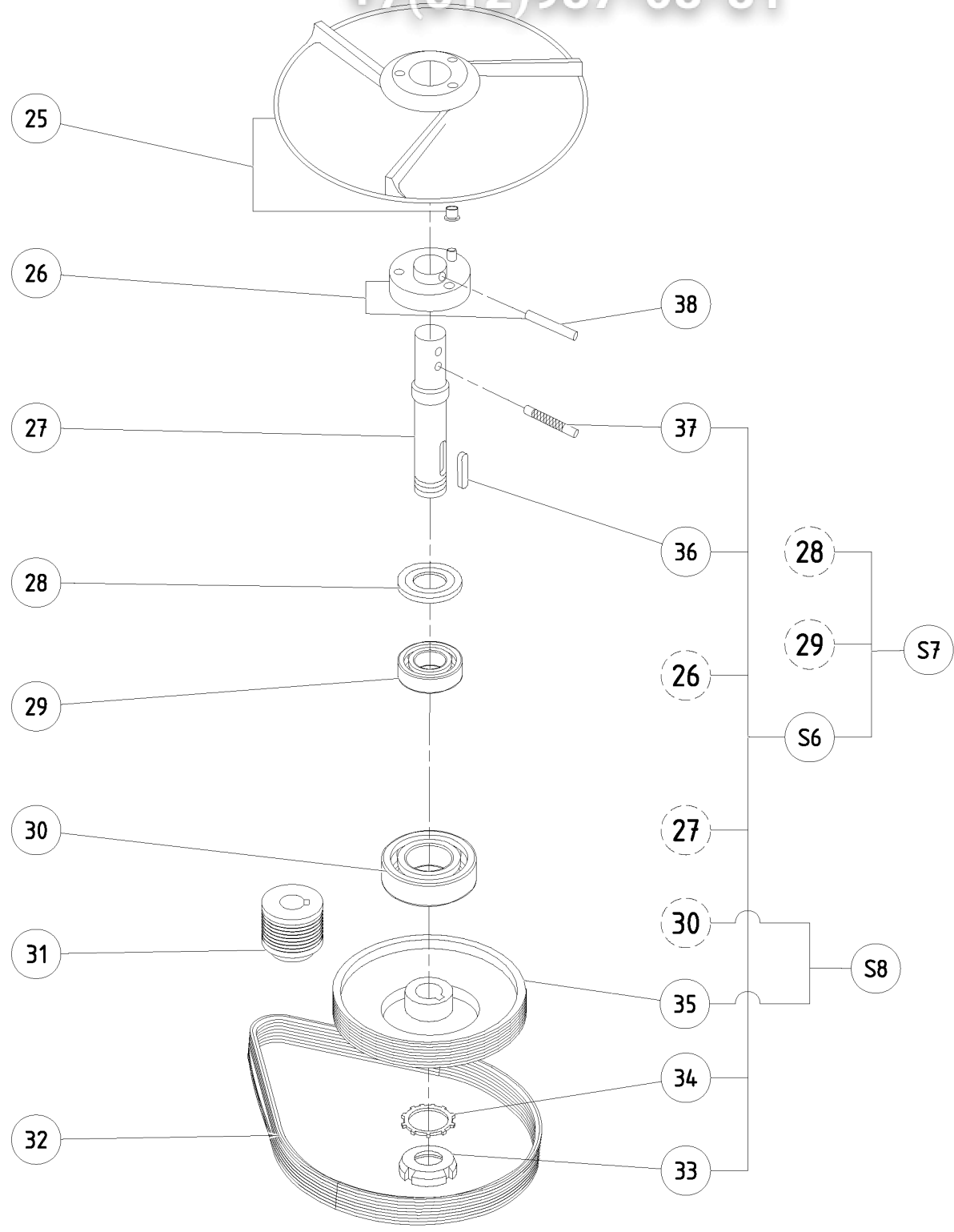
Pos.	Spare Part	Alias Code	Repl. by	S	Info	Kit	Techn. Bulletin	Description	Notes
Model	All								
Table	SP TR260 Page 2 Exploded view Casing+ tactile control								
0001	0H1034			S	A			CAPACITOR; 200MF	
0002	0D3491				D			YORKER 100X16 (SET X6)	
0003	0D5632				D			BOITIER FEMELLE; 9V 003507821	
0004	0D2848							PRINTED CIRCUIT FIXING SPACER (SET X6)	
0005	0D5754				D			SUPPORT; TR260	
0006	000000								See S2
0007	0D3941							CABLE; 3PH	
0007	0D5645							SUPPLY CABLE; UL TRI K120/180	
0007	0D6097							CORDON ALIMENTATION MONO TR260	
0008	0D2073							STUFFING BOX ASSY PL-CD4/8/13	
0009	0D5755							CONTAINER; CI TR260	
0010	0D5756				D			CONTROL PANEL; 1V TR260	
0010	0D5757				D			CONTROL PANEL; 2V TR260	
0010	0D5758				D			CONTROL PANEL; 2V US TR260	
0011	0D5633				D			SPACER; CI (JEU X10)	
0012	000000								See S4
0013	0D5188							WASHER; PE M3; 10 PCS	
0014	0D5404	33987	033987					NUT; HU M3 (JEU10)	
0015	0D0506				D			SCREW; 10 PCS	
0016	0D2297				D			WASHER CS M5 SET X10	
0017	0D6042				D			PORTE SECURITE TR250	
0018	0KQ281		0D5191		A			SENSOR	
0019	000000	33986							
0019	0D0608							SCREW; 10 PCS	
0019	0D2877							WASHER GALVA STL3 SET X10	
0019	0D5404	33987	033987					NUT; HU M3 (JEU10)	
0020	0KQ592				D			SWITCH	
0021	0D0946				D			GROMMET; 10 PCS	
0022	0D0594							SCREW; 10 PCS	
0023	0D2321							SCREW; SET 10PCS; M4X20	
0023	0D3065							NUT HU M4 WRAPPED (SET X10)	
0023	0D6441				K	Kit		SPACER; SET 10PCS; 4X10X10	
00S1	0D5759				D			SUPPORT; MONO TR260	
00S1	0D5760							SUPPORT; TRI TR260	
00S2	0D5679			S				POWER BOARD; 2V EQ TBX	
00S2	0KQ429			S	A			POWER BOARD; 1-P 220/240V-50/60HZ	

Pos.	Spare Part	Alias Code	Repl. by	S	Info	Kit	Techn. Bulletin	Description	Notes
00S3	0D5761				D			CONTAINER; EQ 1V TR260	
00S3	0D5762				D			CONTAINER; EQ 2V STD TR260	
00S3	0D5763				D			CONTAINER; EQ 2V USA TR260	
00S4	0D5764							CARD; CDE 1V COMPLETE TR260	
00S4	0D5765							CARD; CDE 2V COMPLETE TR260	
00S5	0D5766				D			BRACKET; EQ TR260	

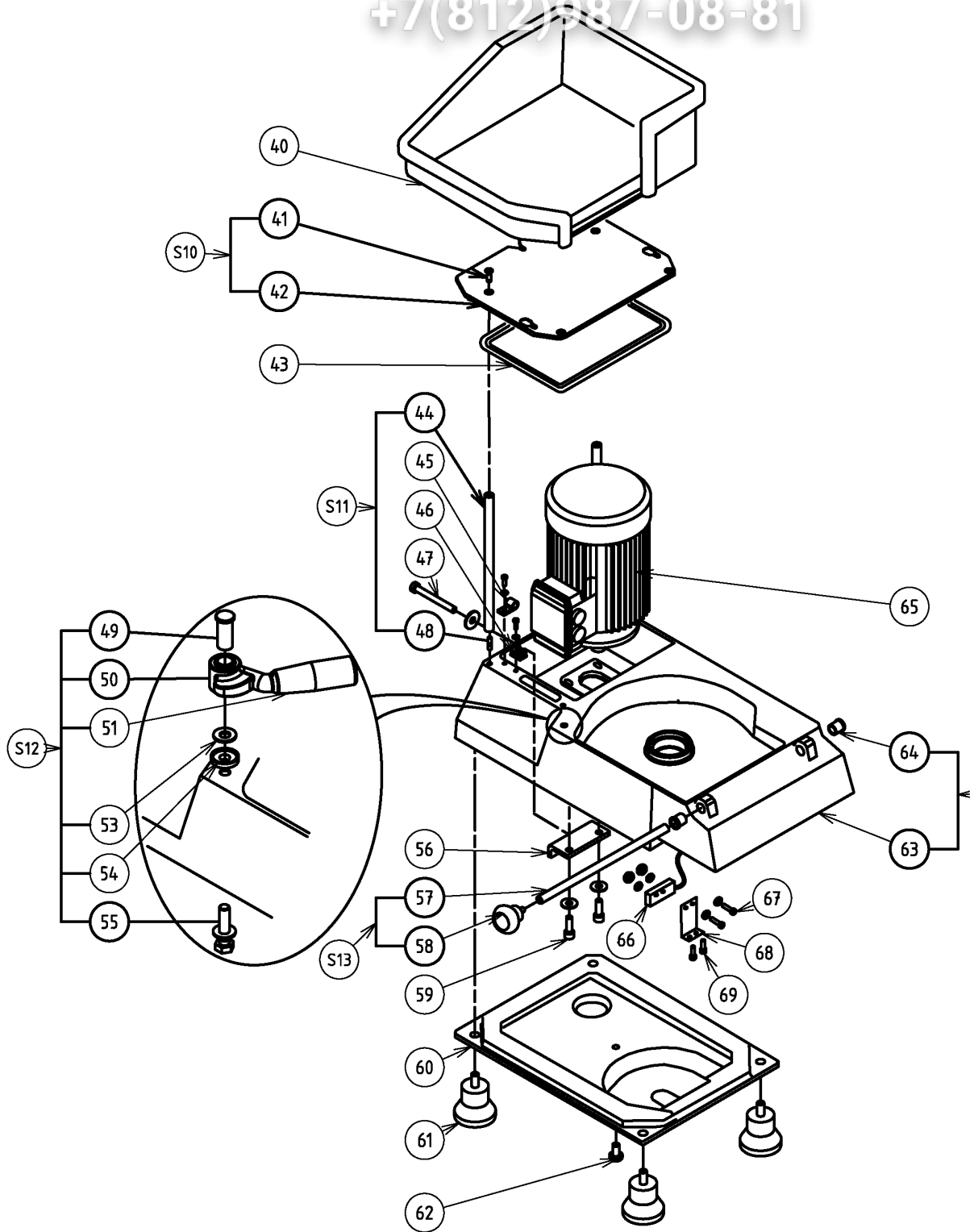
Vue éclatée - Mécanisme / Exploded view Mechanism /
Explosionszeichnung - Getriebe /
Esploso - Meccanismo / Despiece- Mecanismo

zip.ru

+7(812)987-08-81



Pos.	Spare Part	Alias Code	Repl. by	S	Info	Kit	Techn. Bulletin	Description	Notes
0025	0KQ674			S	A			EJECTOR	
0026	0KQ534			S				EJECTOR DRIVING	
0027	000000								See S6
0028	0D3533			S				LIPPED SEAL 35X62X7 (SET X5)	
0029	0D0006			S				BEARING	
0030	0D0004			S				BEARING; 6008 2RS	
0031	0D0915							TR260 DRIVE PULLEY ASSY	
0032	0KJ743			S	A			BELT	
0033	0D3035							SLOTTED NUT M25 (SET X5)	
0034	0HD003							LOCK WASHER; 5 PCS	
0035	0D0003							PULLEY	
0036	0D2915							WEDGE A 6X6X38 (X10)	
0037	0KQ697							PIN	
0038	0KQ516							PIN; 10 PCS	
00S6	0KQ676				A			SHAFT	
00S7	0D0913			S				TR260 COMPLETE DRIVE MECHANISM	
00S8	0D0914							TR260 DRIVEN PULLEY ASSY	



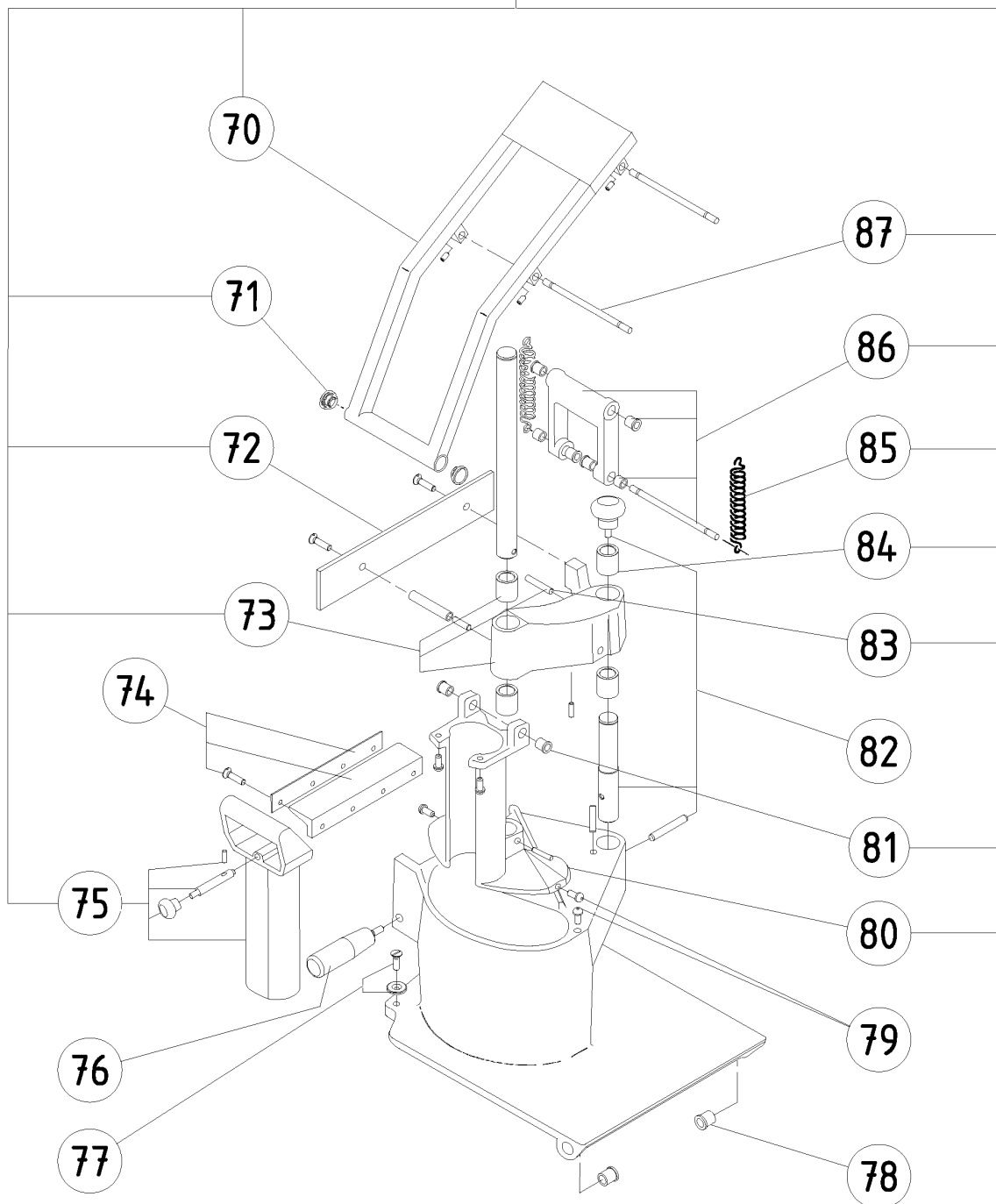
Pos.	Spare Part	Alias Code	Repl. by	S	Info	Kit	Techn. Bulletin	Description	Notes
0040	0KQ568							CONTAINER TR 250	
0041	0U0659							SCREW; 4 PCS	
0042	000000								See S10
0043	0D0800							TR250 SEAL	
0044	0D0008							ROD	
0045	0D1708							COLLAR; ASS.	
0046	0D3567				D			BRASS EARTH TERMINAL (SET X5)	
0047	0D0503							NUT; 10 PCS	
0047	0D0616				D			TR21 SCREW FOR BELT TENSION	
0047	0D0624					+		WASHER; SET 10PCS	
0048	0D3541				D			PIN M6X20X8X8 MILD GALVA STL (SET X10)	
0049	0D6109				D			AXE VERROU XB40 (JEU X2)	
0050	000000								See S12
0051	0D6125				D			POIGNEE I580/65 N-12	
0053	0KQ524							WASHER; 10 PCS BMX60	
0054	0D5707								
0055	0D0591							SCREW; 10 PCS	
0055	0D0632							WASHER CS M8 (SET OF 10 PCS)	
0056	0D0656							CLIP; 10 PCS	
0057	000000								See S13
0058	0D0010							HANDLE	
0059	0D1660			S	D			SCREW; 10 PCS; 8*25	
0059	0D3538				D			WASHER CS L8 GALVA STL8B (SET X10)	
0060	0D0001							BOTTOM	
0061	0KQ456							FOOT; 4 PCS	
0062	0D0601							SCREW; 10 PCS	
0063	000000								See S14
0064	0KJ010			S	A			BUSHING	
0065	0D5767							MOTOR; MONO EQ TR260	
0065	0D5768							MOTOR; TRI EQ TR260	
0066	0KQ281		0D5191		A			SENSOR	
0067	033986					+		SCREW; 10 PCS	
0067	033987					+		SCREW; 10 PCS	
0067	0D0608							SCREW; 10 PCS	
0068	0D6353				D			BRACKET; SECURITE TR250	
0069	0D0594							SCREW; 10 PCS	

Pos.	Spare Part	Alias Code	Repl. by	S	Info	Kit	Techn. Bulletin	Description	Notes
0S10	0D6098				D			PLAQUE FERMETURE EQ TR260	
0S11	0D5769				D			FOOD; EQ TR260 (JFU X4)	
0S12	0D6402							LOCK BOLT; NM EQ TR260	
0S13	0KQ673				A			KNOB WITH BAR	

Nomenclature trémie standard / Parts list hopper /
Stückliste - Standardtrichter / Nomenclatura - Tramoggia
standard / Nomenclatura - Tolva estándar

+7(812)987-08-81

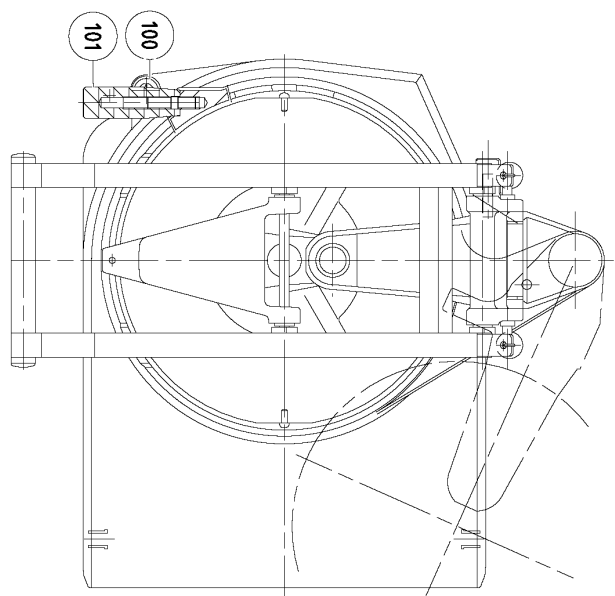
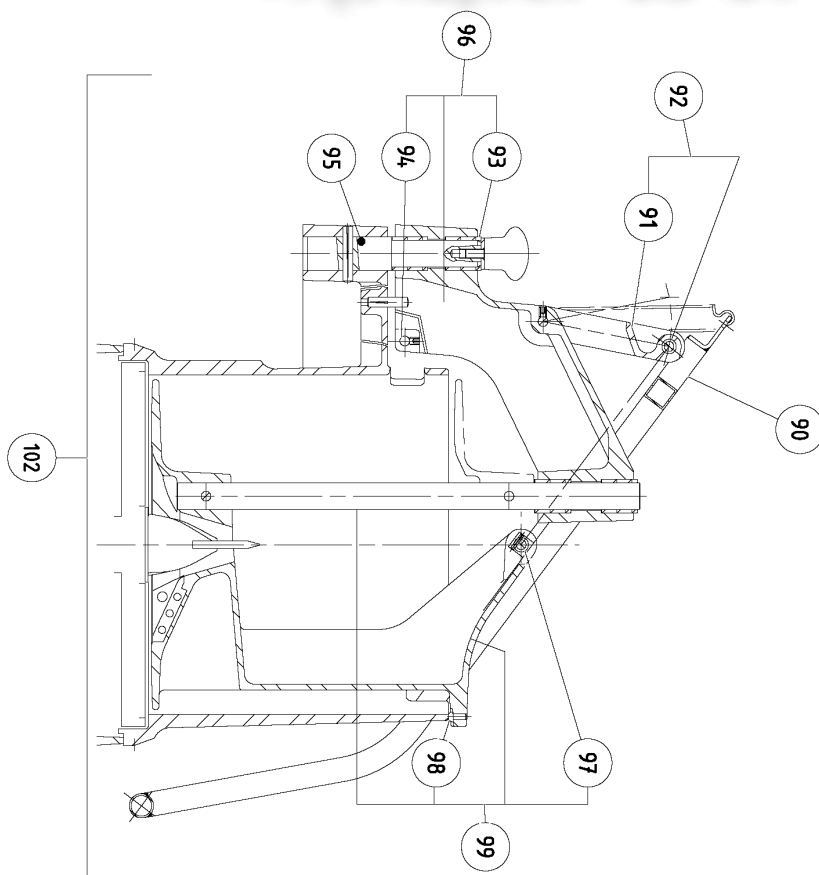
S15



Pos.	Spare Part	Alias Code	Repl. by	S	Info	Kit	Techn. Bulletin	Description	Notes
0070	0D2657							LEVER STD ASSY TR260	
0071	0D0027				D			CAP COVER	
0072	0D5773							SHUTTER ASSEMBLY; EQ TR260	
0073	0D0110							TR250 EQUIPPED BRACKET	
0074	0D5774							GASKET; PROFILE EQ TR260	
0075	0KJ761				A			FEEDSTICK ASSEMBLY TR250	
0076	0U0482							COVER HANDLE & STUD	
0077	0D0911							TR260 NUT PAD ASSEMBLY	
0078	0KJ010			S	A			BUSHING	
0079	0KQ699							LIMIT STOP/THRUST BEARING; 5 PCS	
0080	0D2659				D			PRESSER STD ASSY TR260	
0081	0KJ599			S	A			BUSHING; 5 PCS	
0082	0D2660							PIVOT SHAFT ASSY TR260	
0083	0KJ062			S	A			MAGNET; 8X35	
0084	0D0031			S				BUSH	
0085	0D0912							SPRING; 2 PCS	
0086	0D2658							LINK ROD ASSY TR260	
0087	0D0029				D			PIN	
0S15	0D5488							LEVER; COMPLETE EQ TR260	

Vue éclatée trémie choux / Exploded view hopper /
Explosionszeichnung - Kohltrichter / Esploso - Tramoggia
cavoli / Despiece - Tolva coles

+7(812)987-08-81



N

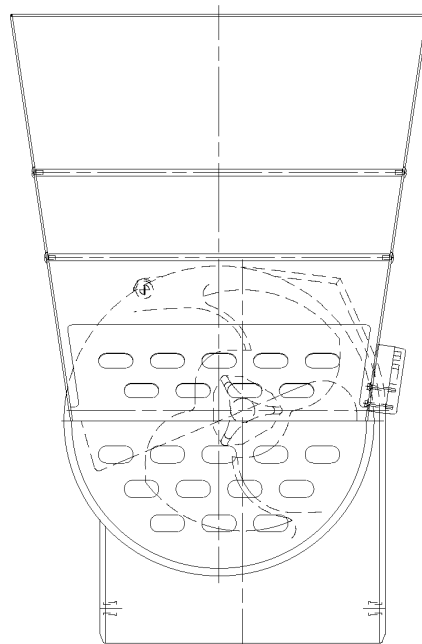
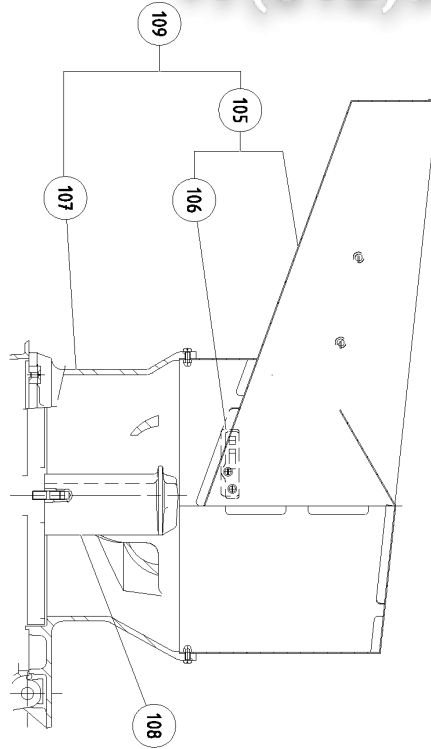
TR 260 FR 05 06

Pos.	Spare Part	Alias Code	Repl. by	S	Info	Kit	Techn. Bulletin	Description	Notes
0090	0D5776				D			LEVER; EQ TR260	
0091	0D0912							SPRING; 2 PCS	
0092	0D2658							LINK ROD ASSY TR260	
0093	0D0031			S				BUSH	
0094	0KJ062			S	A			MAGNET; 8X35	
0095	0D2660							PIVOT SHAFT ASSY TR260	
0096	0D5777				D			FRAME ASSEMBLY; EQ TR260	
0097	0KJ599			S	A			BUSHING; 5 PCS	
0098	0KQ699							LIMIT STOP/THRUST BEARING; 5 PCS	
0099	0D1570				D				
0100	0D0911							TR260 NUT PAD ASSEMBLY	
0101	0U0482							COVER HANDLE & STUD	
0102	000000	21038							

Зип Общепит

**Vue éclatée trémie choux / Exploded view Automatic
Hopper / Explosionszeichnung - Automatischer Trichter /
Esploso - Tramoggia automatica / Despiece - Tolva automática**

+7(812)987-08-81



Pos.	Spare Part	Alias Code	Repl. by	S	Info	Kit	Techn. Bulletin	Description	Notes
0105	0D5778							CHARGEUR; EQ TR260	
0106	0D3222							MAGNET HOLDER ASSY CRUDITO	
0107	0D5779				D			RAMPE; EQ TR260	
0108	0D2656							AGITATOR ASSY TR260	
0109	000000	23794							