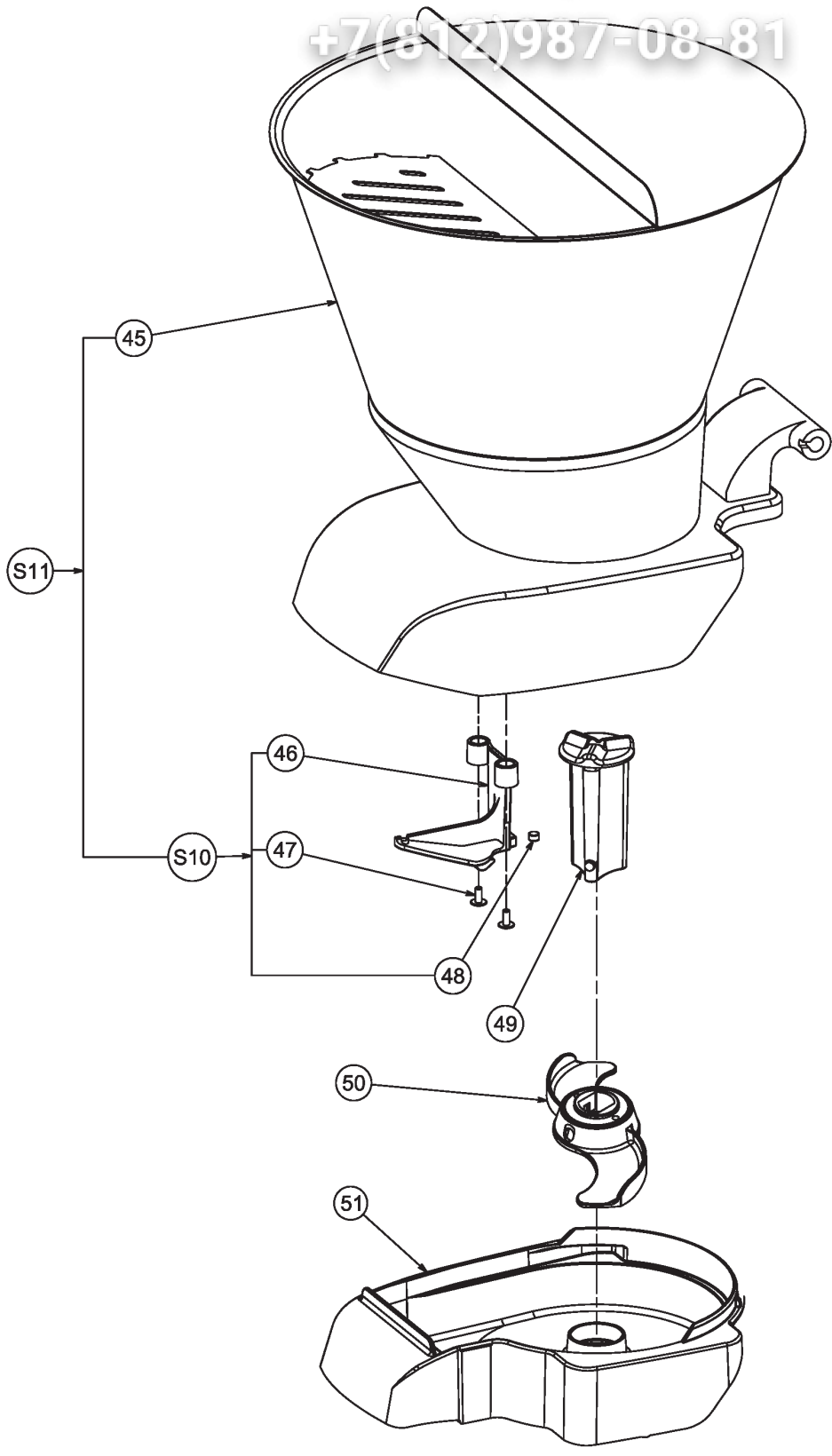


Зип Общепит

Vue éclatée Trémie / Hopper exploded view / Explosionszeichnung Trichter  
/ Esploso Tramoggia pestello / Despiece Tolia / Sprängskiss Matarrör

vsezip.ru

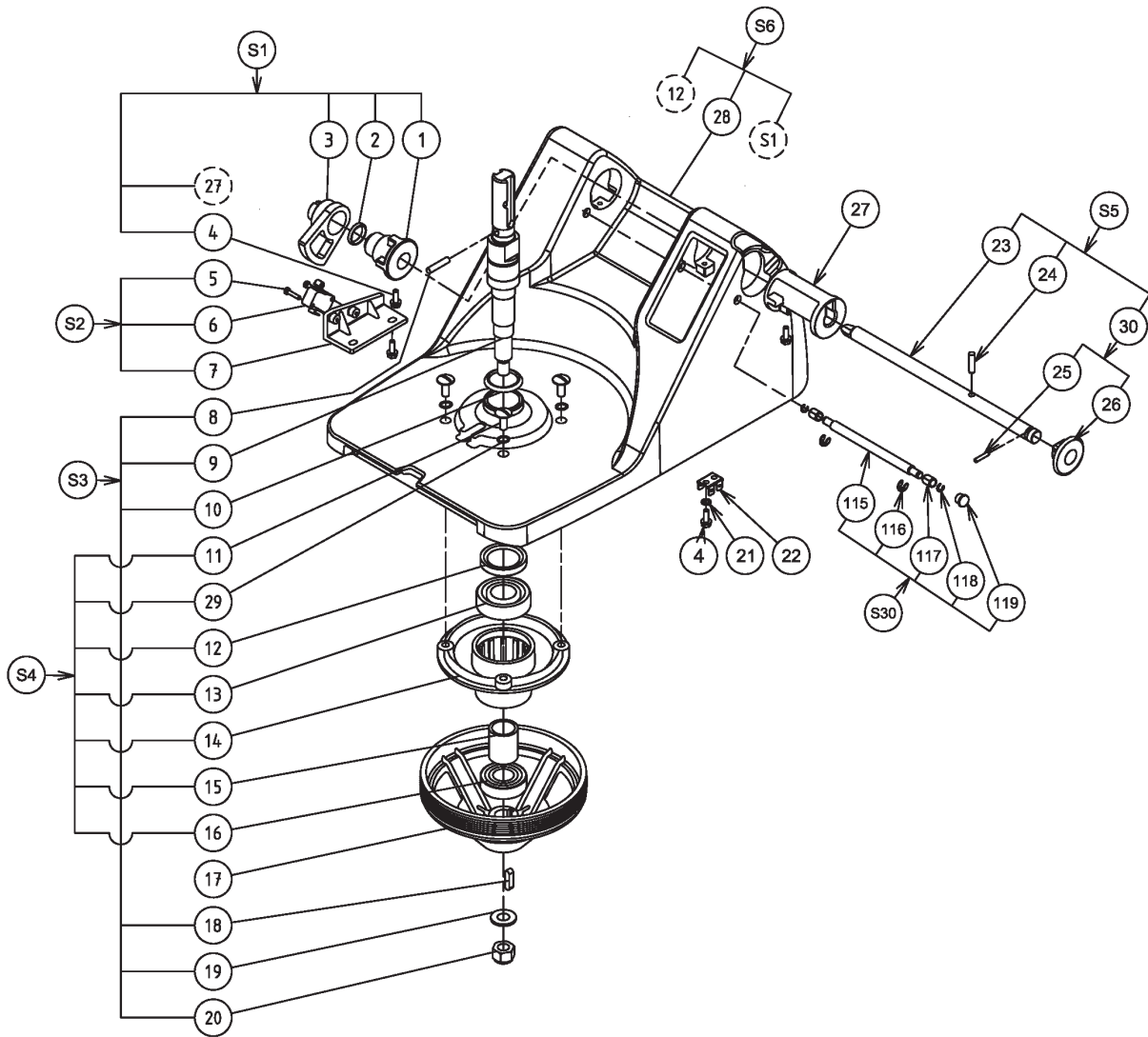
+7(812)987-08-81



B

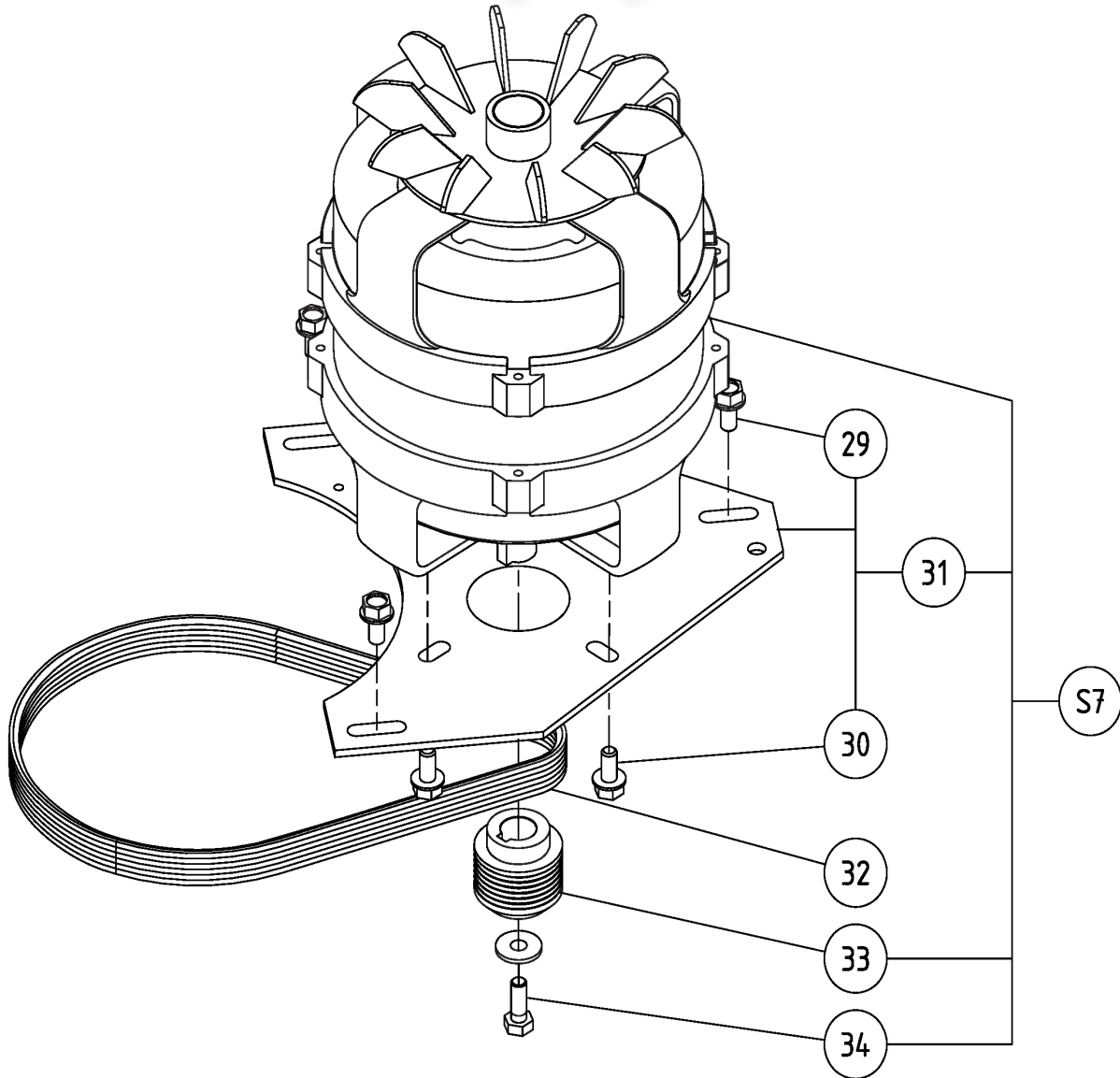
TR210 11 2014

| Pos. | Spare Part | Alias Code | Repl. by | S | Info | Kit | Techn. Bulletin | Description               | Notes   |
|------|------------|------------|----------|---|------|-----|-----------------|---------------------------|---------|
| 0045 | 000000     |            |          |   |      |     |                 |                           | See S11 |
| 0046 | 000000     |            |          |   |      |     |                 |                           | See S10 |
| 0047 | 0U0666     |            |          |   |      |     |                 | SCREW; 10 PCS             |         |
| 0048 | 000000     |            |          |   |      |     |                 |                           | See S10 |
| 0049 | 0D7679     |            |          |   | D    |     |                 | AGITATOR; TR120           |         |
| 0050 | 0D5554     |            |          | S |      |     |                 | EJECTOR PLATE; STD TRK2   |         |
| 0051 | 0D5562     |            | 0D8020   | S |      |     |                 | CHAMBRE; COUPE EQ TRK2    |         |
| 0S10 | 0D5561     |            |          | S |      |     |                 | HANDLE; EQ TRK2           |         |
| 0S11 | 0D7680     |            | 0D8009   |   |      |     |                 | COMPLETE AUTOMATIC HOPPER |         |



| Pos. | Spare Part | Alias Code | Repl. by | S | Info | Kit | Techn. Bulletin | Description                        | Notes  |
|------|------------|------------|----------|---|------|-----|-----------------|------------------------------------|--------|
| 0001 | 0D5412     |            |          |   |      |     |                 | DOOR HANDLE                        |        |
| 0002 | 0D2662     |            |          |   |      |     |                 | O-RING; 15.54X2.62 (1.25 X) 5      |        |
| 0003 | 0D5413     |            |          |   |      |     |                 | CAM; TRK2                          |        |
| 0004 | 0D6754     |            |          |   | D    |     |                 | SCREW; M4X12 INOX ( JX10)          |        |
| 0005 | 0D5414     |            |          |   |      |     |                 | SCREW; PT WN 1412 K30/16 (JX10)    |        |
| 0006 | 0D6620     |            |          | S |      |     |                 | MICROSWITCH; TRK2                  |        |
| 0007 | 0D5415     |            |          |   |      |     |                 | SUPPORT; RUPTER TRK2               |        |
| 0008 | 0D7860     |            |          | S |      |     |                 | SPRING COTTER; G06 5X25; SET 10PCS |        |
| 0009 | 000000     |            |          |   |      |     |                 |                                    | See S3 |
| 0010 | 0D5419     |            |          | S |      |     |                 | DEFLECTOR; TRK2                    |        |
| 0011 | 0U0237     |            |          |   |      |     |                 | SCREW; 10 PCS                      |        |
| 0012 | 0D5534     |            |          |   |      |     |                 | GASKET; 28X40X7 (JEU X5)           |        |
| 0013 | 0KQ395     |            |          | S | A    |     |                 | BEARING; 6204 2RS                  |        |
| 0014 | 000000     |            |          |   |      |     |                 |                                    | See S4 |
| 0015 | 0D5596     |            |          |   |      |     |                 | SPACER; 20X25X30 TRK2              |        |
| 0016 | 0KJ007     |            |          | S | A    |     |                 | BALL BEARING; 6203 2 RS            |        |
| 0017 | 0D2093     |            |          |   |      |     |                 | POULIE RECEPTRICE TRS              |        |
| 0018 | 0HD008     |            |          |   |      |     |                 | KEY; 5 PCS                         |        |
| 0019 | 0D5597     |            |          |   |      |     |                 | WASHER; M10X22X2 INOX (JX10)       |        |
| 0020 | 0U0651     |            |          |   |      |     |                 | SELF-LOCK NUT; M10, 10 PCS         |        |
| 0021 | 0D0520     |            |          |   |      |     |                 | PIN; 10 PCS                        |        |
| 0022 | 0D3567     |            |          |   | D    |     |                 | BRASS EARTH TERMINAL (SET X5)      |        |
| 0023 | 000000     |            |          |   |      |     |                 |                                    | See S5 |
| 0024 | 0D0396     |            |          | S |      |     |                 | PIN; 10 PCS                        |        |
| 0025 | 0KQ479     |            |          | S |      |     |                 | PEG; 10 PCS                        |        |
| 0026 | 0D5427     |            | 0D7492   |   |      |     |                 | PUSH BUTTON; TRK2                  |        |
| 0027 | 0D5428     |            |          |   |      |     |                 | GUIDE; TRK2                        |        |
| 0028 | 0D5429     |            |          |   |      |     |                 | CORPS; STD USINE TRK2              |        |
| 0029 | 0D5144     |            |          |   |      |     |                 | O-RING; 5.7*1,9; 5 PCS             |        |
| 0030 | 0D7492     |            |          | S |      |     |                 | BUTTON ASSEMBLY                    |        |
| 00S1 | 0D5430     |            |          |   |      |     |                 | DOOR HANDLE; GUIDE COMPLET TRK2    |        |
| 00S2 | 0D5431     |            |          | S |      |     |                 | SUPPORT; RUPTEUR EQ TRK2           |        |
| 00S3 | 0D7681     |            |          |   |      |     |                 | SHAFT; TR120                       |        |
| 00S4 | 0D5570     |            |          | S |      |     |                 | BEARING HOUSING ASSEMBLY; EQ TR2S  |        |
| 00S5 | 0D5432     |            |          | S |      |     |                 | LOCKING BAR ASSEMBLY; EQ TRK2      |        |
| 00S6 | 0D5433     |            |          |   |      |     |                 | CORPS; EQ TRK2                     |        |

| Pos. | Spare Part | Alias Code | Repl. by | S | Info | Kit | Techn. Bulletin | Description                     | Notes   |
|------|------------|------------|----------|---|------|-----|-----------------|---------------------------------|---------|
| 0115 | 000000     |            |          |   |      |     |                 |                                 | See S30 |
| 0116 | 0D7859     |            |          |   |      |     |                 | SNAP RING; 6E; SET 10PCS        |         |
| 0117 | 0D7857     |            |          |   |      |     |                 | BEARING; 6X8X10; SET 10PCS      |         |
| 0118 | 0D7858     |            |          |   |      |     |                 | SNAP RING; 6E; SET 10PCS        |         |
| 0119 | 0D3043     |            |          |   |      |     |                 | PLUG (SET X10)                  |         |
| 0S30 | 0D7856     |            |          |   |      |     |                 | ROTATIVE TILTING BAR; KIT; TR2S |         |



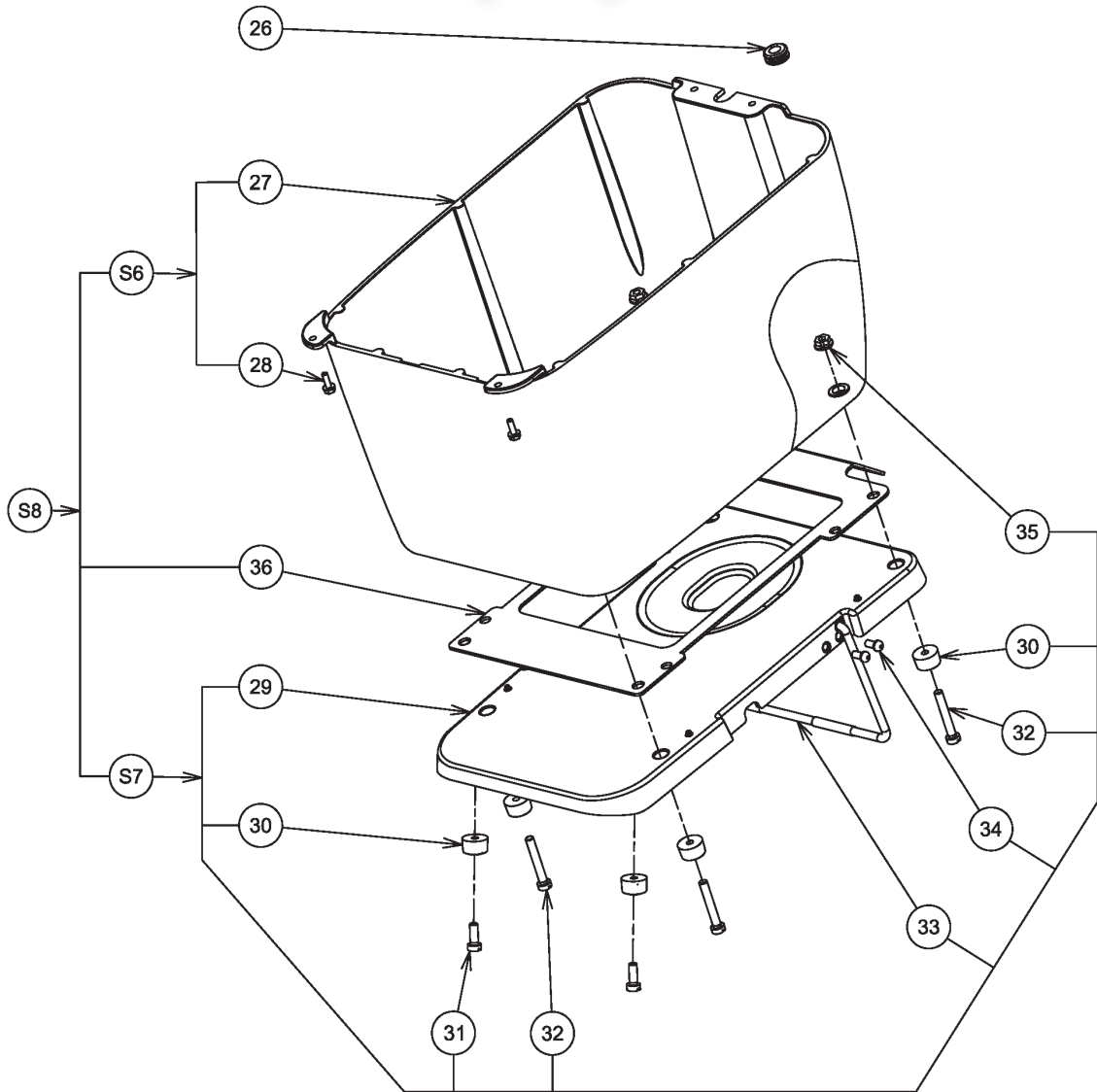
| Pos. | Spare Part | Alias Code | Repl. by | S | Info | Kit | Techn. Bulletin | Description                    | Notes |
|------|------------|------------|----------|---|------|-----|-----------------|--------------------------------|-------|
| 0029 | 0D6708     |            |          |   | D    |     |                 | SCREW; TAPTITE M6X16 (JEU X10) |       |
| 0030 | 0D0594     |            |          |   |      |     |                 | SCREW; 10 PCS                  |       |
| 0031 | 0D5598     |            |          |   |      |     |                 | SUPPORT; MOTOR EQ TRK2         |       |
| 0032 | 033106     |            |          | S | A    |     |                 | BELT; POLY V 559 J6            |       |
| 0033 | 0KQ336     |            |          |   |      |     |                 | LAMP                           |       |
| 0034 | 000000     |            |          |   |      |     |                 |                                |       |
| 00S7 | 0D5588     |            |          |   |      |     |                 | MOTOR; MONO 1V 500W EQ TR2S    |       |
| 00S7 | 0D5590     |            |          |   |      |     |                 | MOTOR; 3 400 50 2V EQ TR2S     |       |
| 00S7 | 0D5591     |            |          |   |      |     |                 | MOTOR; MONO VV EQ TR2S         |       |

# Зип Общепит

Vue éclatée Caisson / Casing exploded view / Explosionszeichnung  
Gehäuse/ Esploso Cassone / Despiece Carcasa / Sprängskiss Behållare

vsezip.ru

+7(812)987-08-81



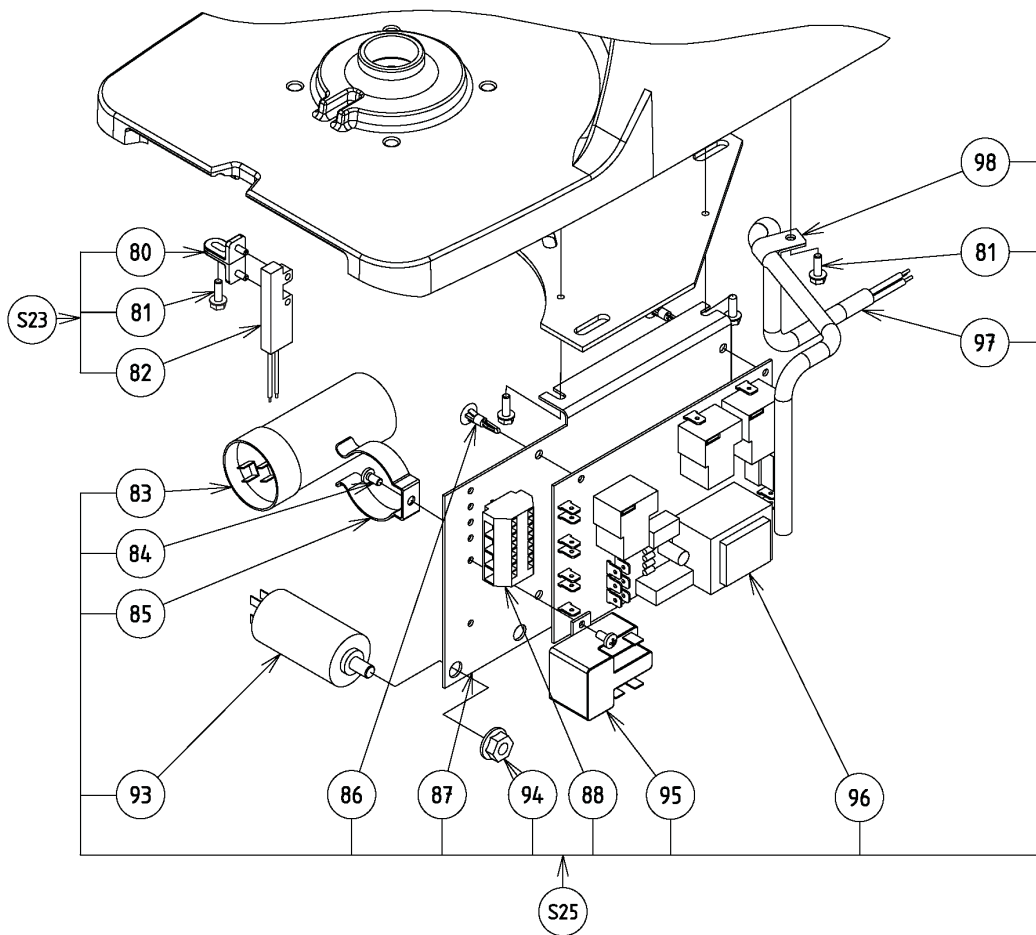
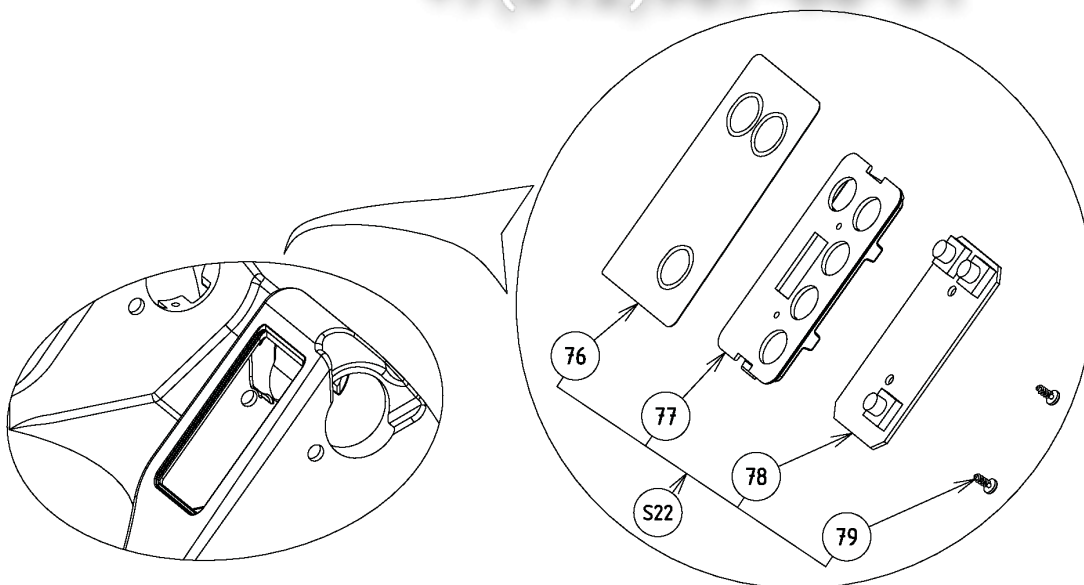


| Pos. | Spare Part | Alias Code | Repl. by | S | Info | Kit | Techn. Bulletin | Description                        | Notes  |
|------|------------|------------|----------|---|------|-----|-----------------|------------------------------------|--------|
| 0026 | 0D1014     |            |          |   |      |     |                 | 10 PCS GROMMET                     |        |
| 0027 | 000000     |            |          |   |      |     |                 |                                    | See S6 |
| 0028 | 0D6754     |            |          |   | D    |     |                 | SCREW; M4X12 INOX ( JX10)          |        |
| 0029 | 0D5548     |            |          |   | D    |     |                 | BASE; STD                          |        |
| 0030 | 0D7136     |            |          | S |      |     |                 | FEET; EQ K-TR2S-TRK2; SET 6PCS     |        |
| 0031 | 0D0615     |            |          |   |      |     |                 | VIS C M6X16 INOX JEU X10           |        |
| 0032 | 0D3039     |            |          |   | D    |     |                 | SCREW C M6X40 STLESS STL (SET X10) |        |
| 0033 | 0D5549     |            |          |   | D    |     |                 | BERQUILLE; TRK2                    |        |
| 0034 | 0KQ699     |            |          |   |      |     |                 | LIMIT STOP/THRUST BEARING; 5 PCS   |        |
| 0035 | 0D6782     |            |          |   |      |     |                 | NUT; HUM6 EMBASE CRANTEE JX10      |        |
| 0036 | 000000     |            |          |   |      |     |                 |                                    | See S8 |
| 00S6 | 0D5566     |            |          |   |      |     |                 | CONTAINER; CAISSON EMBALLE TR2S    |        |
| 00S7 | 0D5839     |            |          |   | D    |     |                 | BASE; INCLINABLE COMPLETE TRK      |        |
| 00S8 | 0D7686     |            |          |   |      |     |                 |                                    |        |

# Зип Общежит

Vue éclatée Commande-Platine TR 1V mono / Exploded view TR 1-sp. single phase circuit board-Control / Explosionszeichnung Steuerung-Platine TR 1 GS WS / Esploso Comando Piastra TR 1V mono / Despiece Mando-Platina TR 1V mono / Sprängskiss-Kontroll-TR-Platin 1V en

+7(812)987-08-81



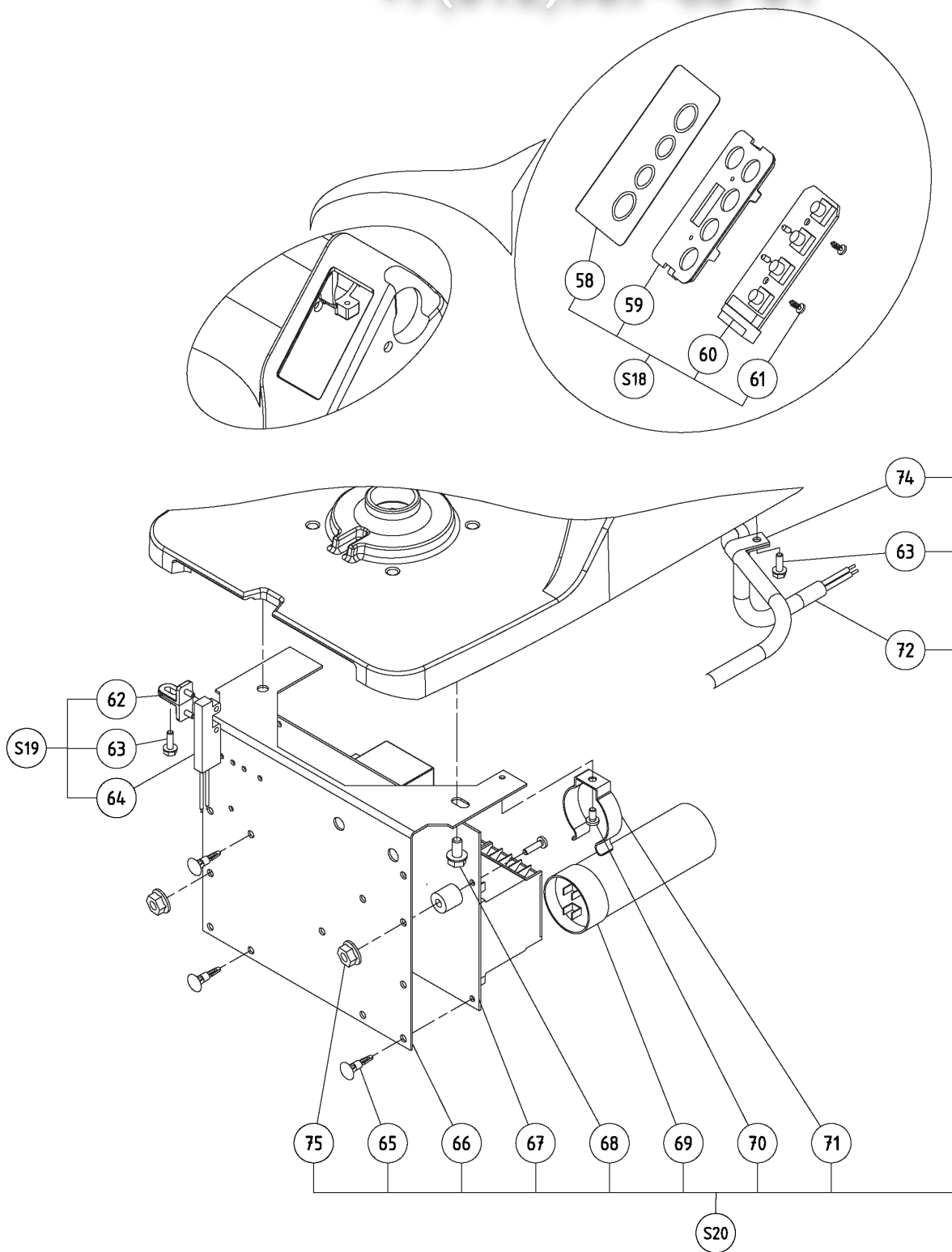
J

TR210 11 2014

| Pos.  | Spare Part  | Alias Code | Repl. by | S | Info | Kit | Techn. Bulletin | Description                             | Notes |
|-------|---|------------|----------|---|------|-----|-----------------|---|-------|
| Model | All   |            |          |   |      |     |                 |   |       |
| Table | SPTR210 Page 10 Exploded view TR 1-sp. Single phase circuit board-Control |            |          |   |      |     |                 |   |       |
| 0076  | 0D7682  |            |          |   | D    |     |                 | ADHESIVE MEMBRANE; 1 SPEED; ELUX        |       |
| 0076  | 0D7690  |            |          |   | D    |     |                 | ADHESIVE MEMBRANE; 1 SPEED; DITO        |       |
| 0077  | 0D5515  |            |          |   |      |     |                 | SUPPORT; CARD CDE TRK2                  |       |
| 0078  | 0D6245  |            |          | S |      |     |                 | CARD; M/A/PULSE TRK                     |       |
| 0079  | 0D2918  |            |          |   |      |     |                 | SCREW PT WN 1442 K30/8 (SET X10)        |       |
| 0080  | 0D5517  |            |          |   |      |     |                 | SUPPORT; SECURITE TRK2                  |       |
| 0081  | 0D6754  |            |          |   | D    |     |                 | SCREW; M4X12 INOX ( JX10)               |       |
| 0082  | 0D6626  |            |          | S |      |     |                 | SENSOR; TRK2                            |       |
| 0083  | 0U0471  |            |          | S | A    |     |                 | START CAPACITOR; 90MF - 275V            |       |
| 0084  | 0D3429  |            |          |   | D    |     |                 | SCREW PLATE M4X8 GALVA STL SET X10      |       |
| 0085  | 0U0242  |            |          |   | D    |     |                 | HOLDER                                  |       |
| 0086  | 0D2848  |            |          |   |      |     |                 | PRINTED CIRCUIT FIXING SPACER (SET X6)  |       |
| 0087  | 0D5602  |            |          |   | D    |     |                 | SUPPORT; COMPOSANT TR CI                |       |
| 0088  | 0D5135  |            |          |   |      |     |                 | TERMINAL; 5 PCS                         |       |
| 0093  | 0U0403  |            |          | S | A    |     |                 | RUN CAPACITOR RC14                      |       |
| 0094  | 0D3590  |            |          |   |      |     |                 | RING NUT HU M8 WRAPPED SET X10          |       |
| 0095  | 0D7436  |            |          |   |      |     |                 | RELAY; HLR3800 8N3L-230V                |       |
| 0096  | 0KQ429  |            |          | S | A    |     |                 | POWER BOARD; 1-P 220/240V-50/60HZ       |       |
| 0097  | 0D5545  |            |          | S |      |     |                 | CABLE; ALIM MONO EQ TRK2                |       |
| 0098  | 0D6040  |            |          |   | K    | Kit |                 | CLIP; SET 10PCS                         |       |
| 0S22  | 0D7683  |            |          |   | D    |     |                 | COMPLETE CONTROL CARD SUPPORT 1V; ELUX  |       |
| 0S22  | 0D7691  |            |          |   | D    |     |                 | COMPLETE CONTROL CARD SUPPORT; 1V; DITO |       |
| 0S23  | 0D5522  |            |          |   |      |     |                 | SUPPORT; PSA COMPLETE TRK2              |       |
| 0S25  | 0D5489  |            |          |   |      |     |                 | POWER BOARD; 115V 1V UL EQ TRK          |       |
| 0S25  | 0D5495  |            |          |   |      |     |                 | POWER BOARD; 115V 1V UL+RMA TRK         |       |
| 0S25  | 0D5575  |            |          |   |      |     |                 | SUPPORT; MONO 1V TR2S                   |       |

Vue éclatée Commande-Platine TR 2V tri / Exploded view TR 2-sp three-ph. Circuit board-Control / Stückliste Steuerung Regelantrieb / Esploso Comando Piastra TR 2V tri / Despiece Mando-Platina TR 2V tri / Sprängkiss- Kontroll-TR-Platin 2V tre

+7(812)987-08-81

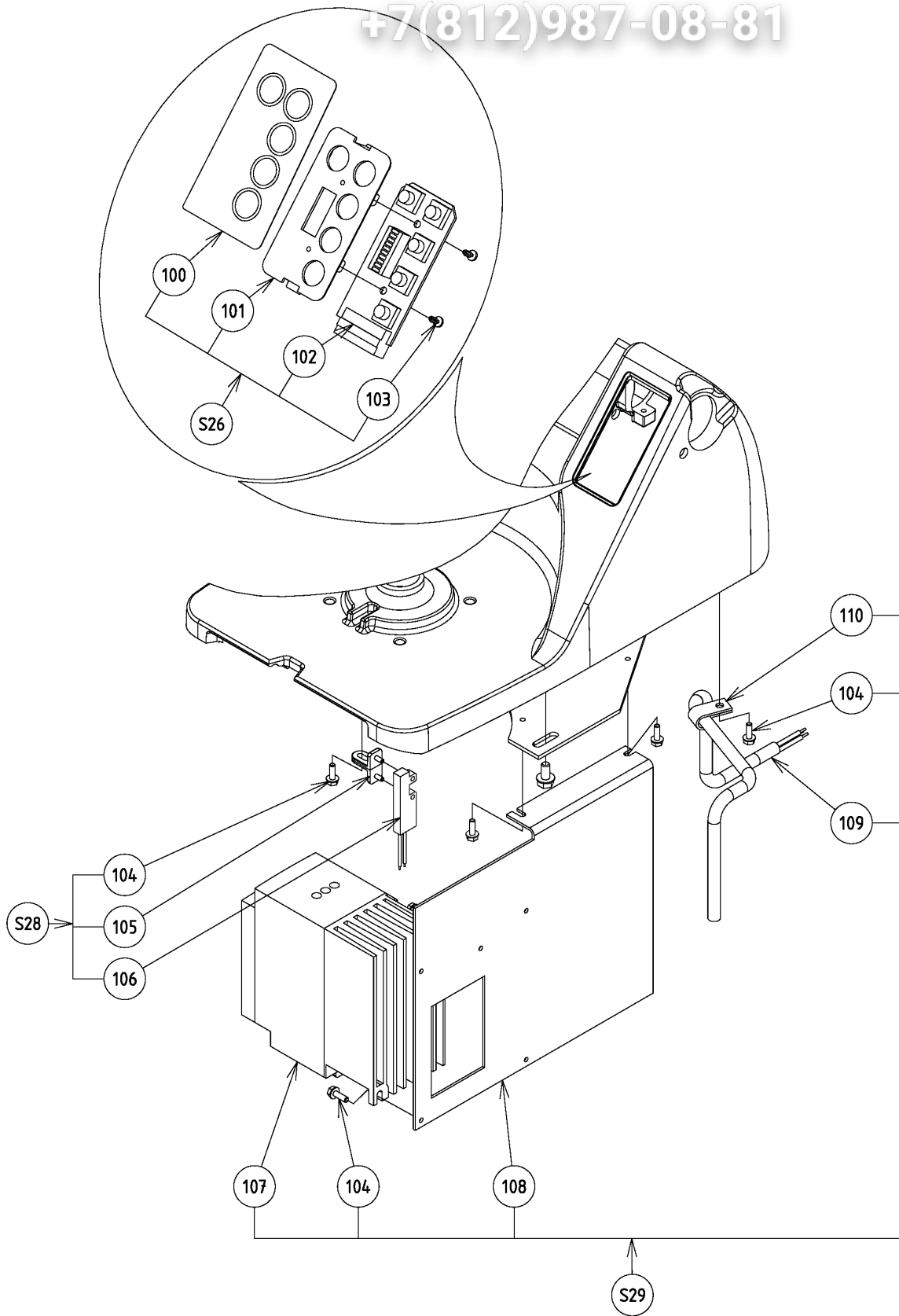


| Pos. | Spare Part | Alias Code | Repl. by | S | Info | Kit | Techn. Bulletin | Description                             | Notes |
|------|------------|------------|----------|---|------|-----|-----------------|---|-------|
| 0058 | 0D7684     |            |          |   | D    |     |                 | ADHESIVE MEMBRANE; 2 SPEED; ELUX        |       |
| 0058 | 0D7692     |            |          |   | D    |     |                 | ADHESIVE MEMBRANE; 2 SPEED; DITO        |       |
| 0059 | 0D5515     |            |          |   |      |     |                 | SUPPORT; CARD CDE TRK2                  |       |
| 0060 | 000000     |            |          |   |      |     |                 |   | S18   |
| 0061 | 0D2918     |            |          |   |      |     |                 | SCREW PT WN 1442 K30/8 (SET X10)        |       |
| 0062 | 0D5517     |            |          |   |      |     |                 | SUPPORT; SECURITE TRK2                  |       |
| 0063 | 0D6754     |            |          |   | D    |     |                 | SCREW; M4X12 INOX ( JX10)               |       |
| 0064 | 0D6626     |            |          |   | S    |     |                 | SENSOR; TRK2                            |       |
| 0065 | 0D2848     |            |          |   |      |     |                 | PRINTED CIRCUIT FIXING SPACER (SET X6)  |       |
| 0066 | 0D5518     |            |          |   | D    |     |                 | SUPPORT; COMPOSANT K CI                 |       |
| 0067 | 0D5679     |            |          |   | S    |     |                 | POWER BOARD; 2V EQ TBX                  |       |
| 0068 | 0D6708     |            |          |   | D    |     |                 | SCREW; TAPTITE M6X16 (JEU X10)          |       |
| 0069 | 0KQ662     |            |          |   | S    | A   |                 | CONDENSER                               |       |
| 0070 | 0D3429     |            |          |   | D    |     |                 | SCREW PLATE M4X8 GALVA STL SET X10      |       |
| 0071 | 0U0242     |            |          |   | D    |     |                 | HOLDER                                  |       |
| 0072 | 0D5544     |            |          |   | D    |     |                 | CABLE; ALIM TRI EQ TRK2                 |       |
| 0074 | 0D1708     |            |          |   |      |     |                 | COLLAR; ASS.                            |       |
| 0075 | 0D6441     |            |          |   | K    | Kit |                 | SPACER; SET 10PCS; 4X10X10              |       |
| 0075 | 0D6755     |            |          |   |      | Kit |                 | SCREW; SET 10PCS; M4X20                 |       |
| 0075 | 0D6756     |            |          |   |      | Kit |                 | NUT; PLASTIQUE M4; SET 10PCS            |       |
| 0S18 | 0D7685     |            |          |   | D    |     |                 | COMPLETE CONTROL CARD SUPPORT 2V; ELUX  |       |
| 0S18 | 0D7693     |            |          |   | D    |     |                 | COMPLETE CONTROL CARD SUPPORT; 2V; DITO |       |
| 0S19 | 0D5522     |            |          |   |      |     |                 | SUPPORT; PSA COMPLETE TRK2              |       |
| 0S20 | 0D5572     |            | 0D8001   |   |      |     |                 | SUPPORT; TRI 2V TR2S                    |       |

# Зип ОбщеПит

Vue éclatée Commande-Variateur / Exploded view Variable speed unit-  
Control / Explosionszeichnung Steuerung-Regelantrieb / Esploso Coman-  
do-Variatore / Despiece Mando-Variador / Sprängskiss - Kontroll-Variator

+7(812)987-08-81



N

TR210 11 2014

| Pos. | Spare Part | Alias Code | Repl. by | S | Info | Kit | Techn. Bulletin | Description                             | Notes |
|------|------------|------------|----------|---|------|-----|-----------------|---|-------|
| 0100 | 0D7687     |            |          |   | D    |     |                 | ADHESIVE MEMBRANE; VARIABLE SPEED; ELUX |       |
| 0100 | 0D7694     |            |          |   | D    |     |                 | ADHESIVE MEMBRANE; VARIABLE SPEED; DITO |       |
| 0101 | 0D5515     |            |          |   |      |     |                 | SUPPORT; CARD CDE TRK2                  |       |
| 0102 | 0D5546     |            |          | S |      |     |                 | CARD; COMMANDE P/M/A/+/- TRK            |       |
| 0103 | 0D2918     |            |          |   |      |     |                 | SCREW PT WN 1442 K30/8 (SET X10)        |       |
| 0104 | 0D6754     |            |          |   | D    |     |                 | SCREW; M4X12 INOX ( JX10)               |       |
| 0105 | 0D5517     |            |          |   |      |     |                 | SUPPORT; SECURITE TRK2                  |       |
| 0106 | 0D6626     |            |          | S |      |     |                 | SENSOR; TRK2                            |       |
| 0107 | 0D6246     |            |          |   |      |     |                 | SPEED VARIATOR; REGLE TR2S              |       |
| 0108 | 0D7689     |            |          |   |      |     |                 |   |       |
| 0109 | 0D5545     |            |          | S |      |     |                 | CABLE; ALIM MONO EQ TRK2                |       |
| 0110 | 0D6040     |            |          |   | K    | Kit |                 | CLIP; SET 10PCS                         |       |
| 0S26 | 0D7688     |            |          |   | D    |     |                 | COMPLETE CONTROL CARD SUPPORT VV; ELUX  |       |
| 0S26 | 0D7695     |            |          |   | D    |     |                 | COMPLETE CONTROL CARD SUPPORT; VV; DITO |       |
| 0S28 | 0D5542     |            |          |   |      |     |                 | SUPPORT; PSA COMPLETE +CLIPS TRK2       |       |
| 0S29 | 0D5606     |            |          |   |      |     |                 | SUPPORT; COMPLETE TR2S                  |       |