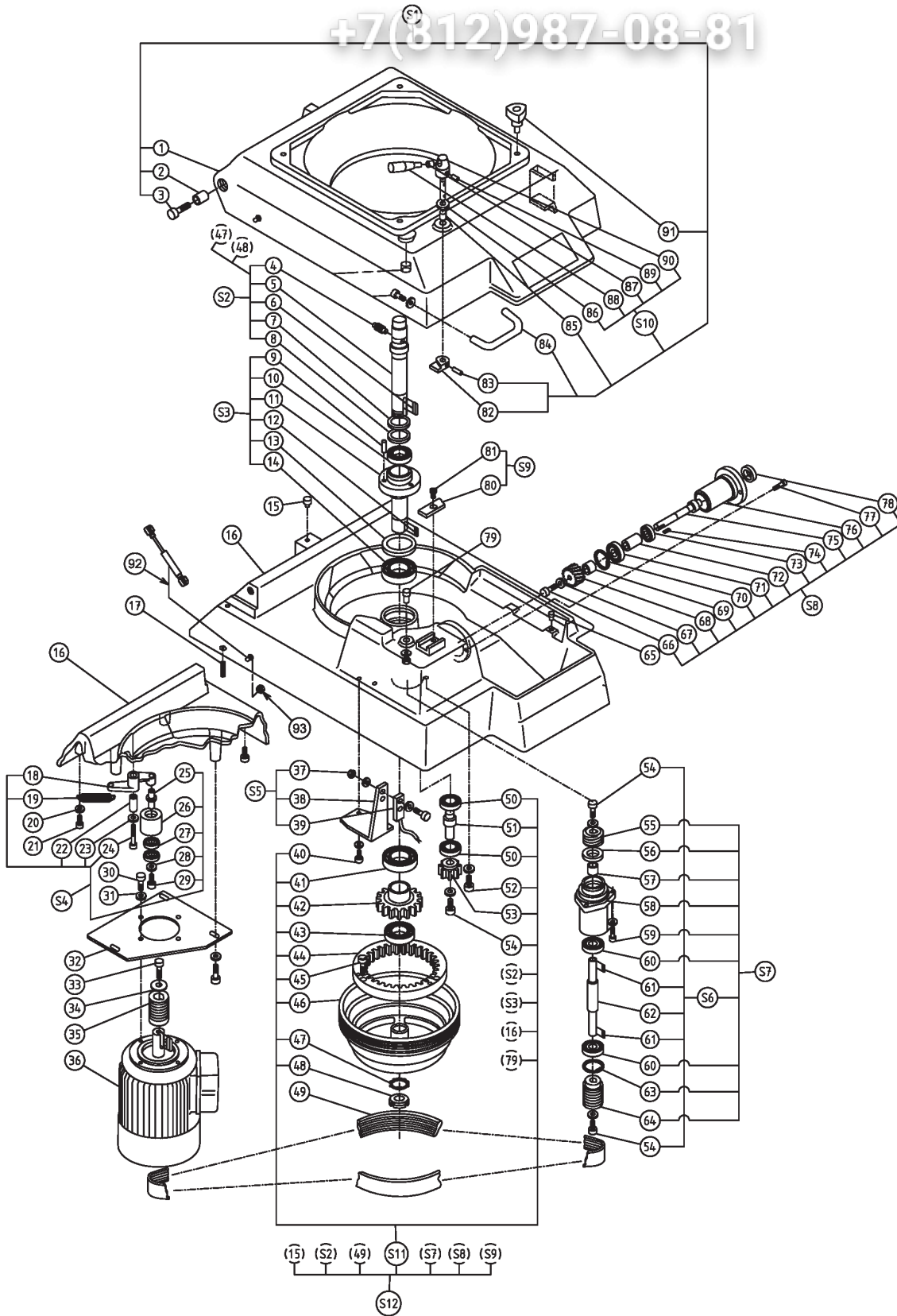


+7(812)987-08-81

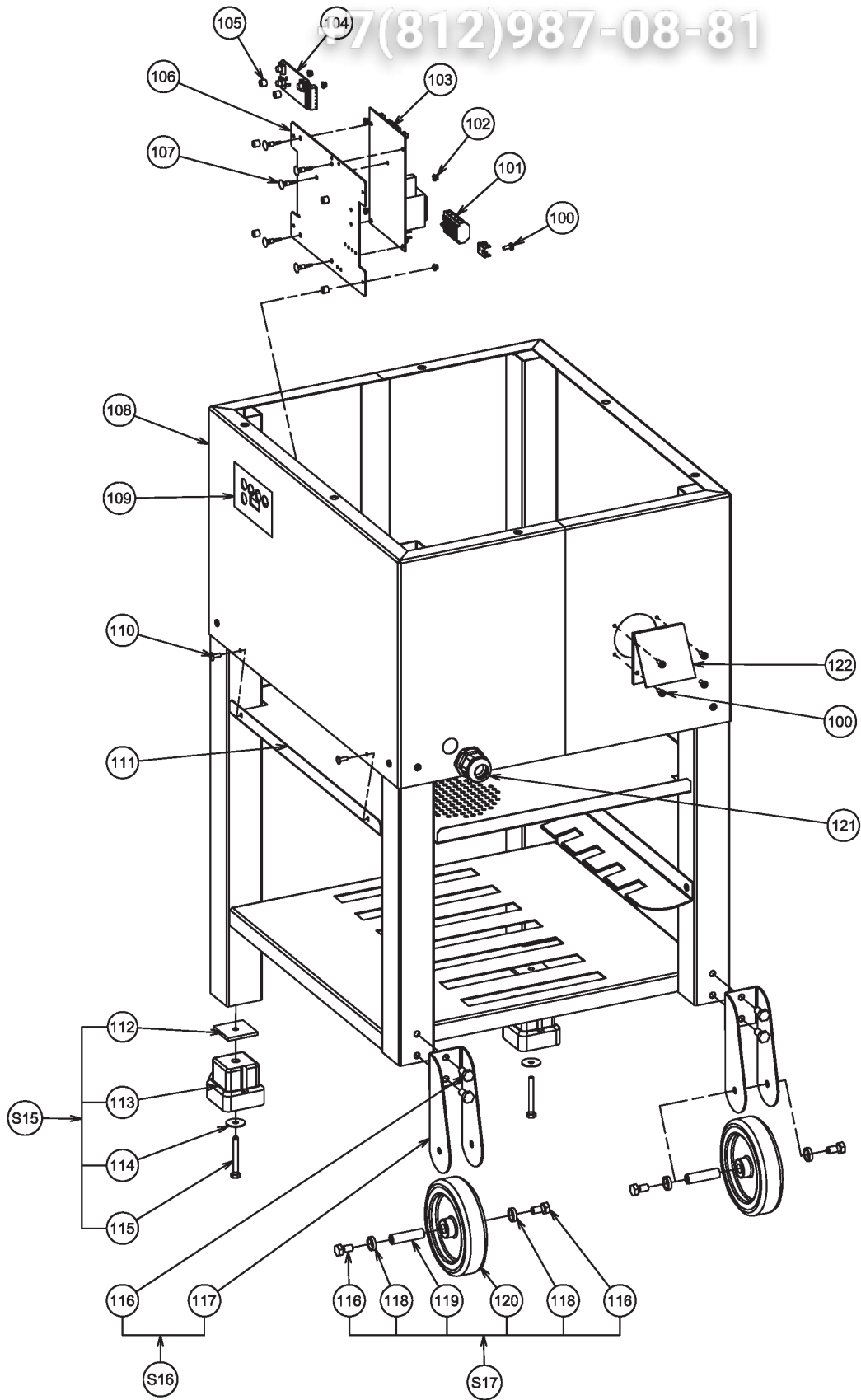


Pos.	Spare Part	Alias Code	Repl. by	S	Info	Kit	Techn. Bulletin	Description	Notes
Model	All								
Table	SPTR300								
Page	2								
Exploded view	-Body/Mechanism								
0001	000000								See S1
0002	0D3732				D			NICKEL-ED PIVCT TR300 803	
0003	0D2331				D			SCREW H M12X45 SET X5	
0004	0KQ697							PIN	
0005	000000								See S2
0006	0HD007							CHAVETA 5X5X36 TR-300; 5 PCS	
0007	0D6442							WASHER; 54X25X2,5 TR300	
0008	0HD030							JUNTA ESTANQUEIDAD 70X8 TR-300	
0009	0KQ210			S	A			PEG	
0010	0D1520							TR300 BEARING REF.32005	
0011	000000								See S3
0012	0D6573							SPANNER; 4X4X22 H9 (JEU X5)	
0013	0D1006							JOINT LEVRE 25X33X6 TR300 X5	
0014	0D0004			S				BEARING; 6008 2RS	
0015	0D3737							STOP TR300	
0016	0D5187				D			BODY;WITH PACKING- TR300	
0017	0D0547							ROD; 6 PCS	
0017	0D0642							NUT; 10 PCS	
0017	0D2263				D			TOOTHED WASHER 8 GALVANISED STL SET X10	
0018	000000								See S4
0019	0KJ057				A			SPRING	
0020	0U0652				D			WASHER; 10 PCS	
0021	0D0499							SCREW; SET 10PCS; M6X16 INOX	
0022	000000								See S4
0023	0KQ524							WASHER; 10 PCS BMX60	
0024	0D2344							SCREW CHC 8X45 BM10 SET X10	
0025	000000								See S4
0026	000000								See S4
0027	0D1123		0D7113					S3/ST25 6201Z BEARING	
0028	0D0513							WASHER; 10 PCS	
0029	0D0617							SCREW CHC 6X15	
0030	0D0560							SCREW	
0031	0D0626							WASHER; 10 PCS	
0032	0D3730				D			MOTOR SUPPORT TR300	
0033	000000								
0034	000000								

Pos.	Spare Part	Alias Code	Repl. by	S	Info	Kit	Techn. Bulletin	Description	Notes
Model	All								
Table	SPTR300 Page 2 Exploded view -Body/Mechanism								
0035	0D0781				D			PSR50 DRIVE PULLEY (60 CYCLES)	
0035	0KQ232							GEAR	
0036	0D3790				D			MOTOR; 3 230/400 50 ASSY TR300	
0037	033986					+		SCREW; 10 PCS	
0037	033987					+		SCREW; 10 PCS	
0037	0KQ511							SCREW; 10 PCS	
0038	000000								See S5
0039	0KQ281		0D5191		A			SENSOR	
0040	0D0614				D			SCREW TC 5X12	
0040	0KQ491							WASHER; 10 PCS	
0041	0HD044			S				BEARING; TR-300	
0042	0D1513							TR300 WHEEL (38 TEETH)	
0043	0HD046			S				BEARING; TR-300	
0044	0D0440							B40 PLANETARY CROWN GEAR	
0045	0D2248							SCREW CHC M6X25 STL80 B40 SET X10	
0046	0D1517		0D3470					POULIE PLANETAIRE DEG TR300	
0047	0D5042							WASHER; MB5	
0048	0D0002							NUT	
0049	0D1398			S	A			BELT; TR300	
0050	0KJ007			S	A			BALL BEARING; 6203 2 RS	
0051	0D1514							ARBRE PLANETAIRE TR300	
0052	0D0513							WASHER; 10 PCS	
0052	0D0615							VIS C M6X16 INOX JEU X10	
0053	0D1515			S				TR300 PLANET. GEAR 15TEETH NM	
0054	0D0627							WASHER; 10 PCS	
0054	0KQ494							SCREW; 10 PCS	
0055	0D1397				D			VIS 19 FILETS TR300 253A	
0056	0KQ579							SEAL 24X40X7, INOUT SHAFT; 5 PCS	
0057	0D3728				D			SPACER 17X24X14 TR300	
0058	000000								See S7
0059	0D3216							SCREW HM5X25 STLESS STL SET X10	
0059	0KQ491							WASHER; 10 PCS	
0060	0KJ007			S	A			BALL BEARING; 6203 2 RS	
0061	0KQ489							KEY; 5 PCS, 5X5X18.5 MM	
0062	000000								See S6
0063	0HD001							ANILLO CIERRE 40I S4/S8(PAK10)	

Pos.	Spare Part	Alias Code	Repl. by	S	Info	Kit	Techn. Bulletin	Description	Notes
Model	All								
Table	SPTR300								
Page	2								
Exploded view	-Body/Mechanism								
0064	0D3729				D			DRIVE PULLEY TR300	
0065	0U0280							INDEX PIN	
0066	0KQ494							SCREW; 10 PCS	
0067	0D0627							WASHER; 10 PCS	
0068	0D1396				D			ROUE 18D TR300	
0069	0D3728				D			SPACER 17X24X14 TR300	
0070	0HD001							ANILLO CIERRE 40I S4/S8(PAK10)	
0071	0KJ007			S	A			BALL BEARING; 6203 2 RS	
0072	000000								See S8
0073	0U0282				D			BEARING	
0074	0KQ489							KEY; 5 PCS, 5X5X18.5 MM	
0075	0D1395				D			ARBRE ACCOUPLEMENT TR300	
0076	000000								See S8
0077	0U0659							SCREW; 4 PCS	
0078	0KQ578							SEALING; SET 5PCS	
0079	0D0642							NUT; 10 PCS	
0079	0D1731							CENTRING DEVICE	
0079	0D2263				D			TOOTHED WASHER 8 GALVANISED STL SET X10	
0080	000000								See S9
0081	0D2328					+		SCREW; SET 10PCS; M8X16	
0082	0D1733							FINGER	
0083	0KQ483							PEG; 10 PCS	
0084	0D2711				D			HANDLE ASSY TR300	
0085	0D1145							RING BP25 C10X14X16	
0086	000000								See S10
0087	000000								See S10
0088	000000								See S10
0089	0D0667							BP25 PIN G01 3X26 CAN	
0090	000000								See S10
0091	0D1400							TR300 LOCKDOWN KNOB	
0092	0D7372							GAS SPRING; WITH SWIVEL JOINT	
0093	0D0642							NUT; 10 PCS	
00S1	0D1399				D			TR300 LID ASSEMBLY.	
00S2	0HD011			S				CONJ. EJE CENTRAL TR-300	
00S3	0HD031			S				KIT MANTTO.TR-300	
00S4	0D1278				D			ST25/BE20/TR300 TAKE UP ROLLER	

Pos.	Spare Part	Alias Code	Repl. by	S	Info	Kit	Techn. Bulletin	Description	Notes
00S5	0D6735				D			RELAY; STATIQUE NM EQ TR300	
00S6	0D6440				D			SHAFT ENTRAINEMENT EQ TR300	
00S7	0D1512							TR300 COMPLETE SLEEVE	
00S8	0D3866							HUB ASSY TR300	
00S9	0D1676				D			STIRRUP; ASS.	
0S10	0D1743							KNOB	
0S11	0D6443				D			CORPS; EQUIPE TR300	
0S12	0D0248				D			TR300 CENTRAL SUB ASSEMBLY	



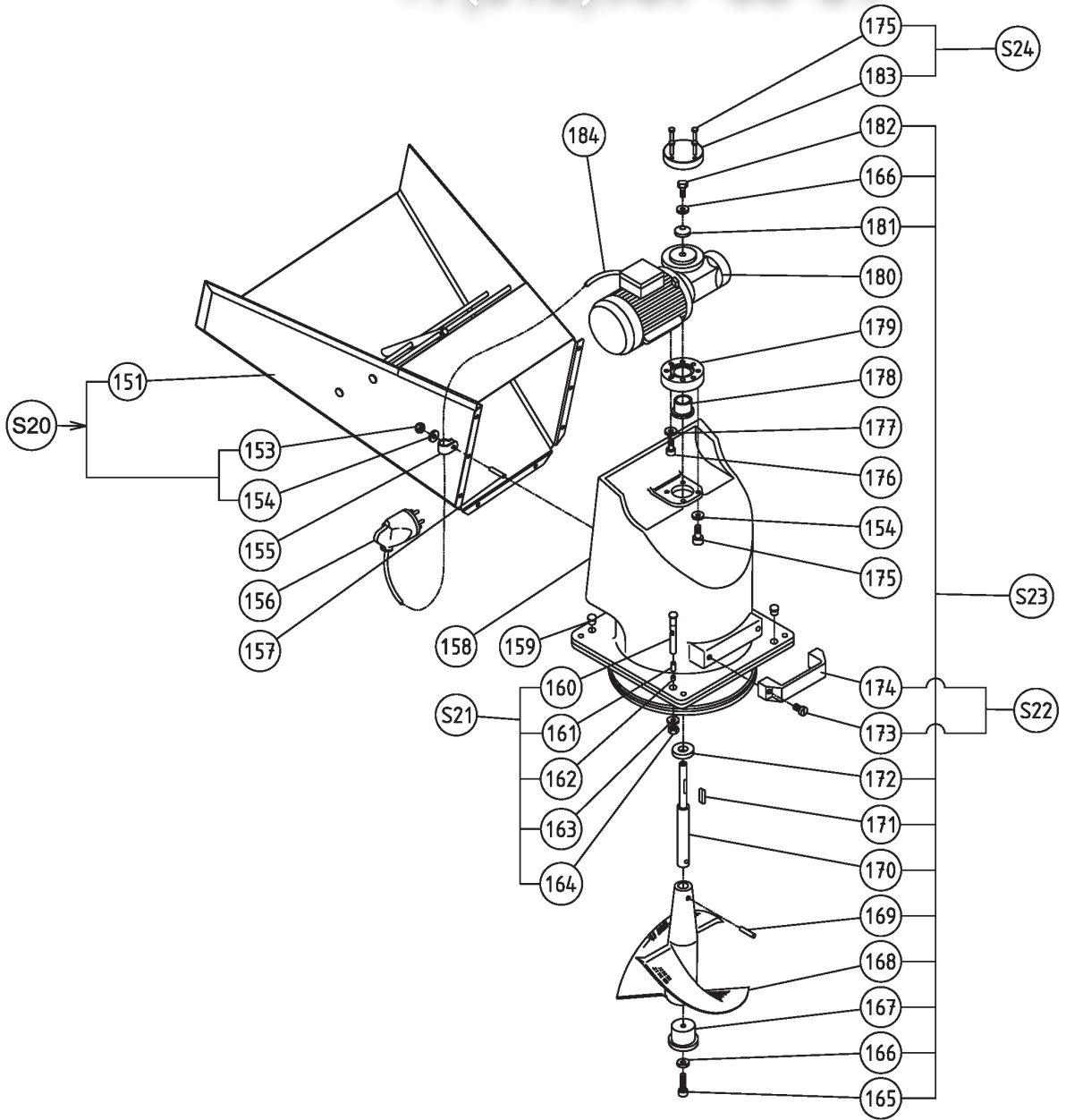
Pos.	Spare Part	Alias Code	Repl. by	S	Info	Kit	Techn. Bulletin	Description	Notes
0100	0D6724					+		SCREW; SET 10PCS; M4X10	
0101	0D5135							TERMINAL; 5 PCS	
0102	0D7383							NUT; SET 10PCS; M3	
0103	0D7532				A			POWER BOARD	
0104	0D7531							CONTROLS PCB	
0105	0D5633				D			SPACER; CI (JEU X10)	
0106	000000								
0107	0D2848							PRINTED CIRCUIT FIXING SPACER (SET X6)	
0108	000000								
0109	0D7040				D			PLAQUE; MARQUE TR300 STD	
0109	0D7126				D			FRONT PANEL; TR300	
0110	0KQ527							SCREW; 10 PCS	
0111	0D7530				D			BASE PLATE ASSEMBLY	
0112	0D0541							NUT; 10 PCS	
0113	0U0566							RUBBER FOOT(2")1&5/8"FITTING	
0114	0KQ506							WASHER; 10 PCS	
0115	0D0598				D			SCREW; 10 PCS	
0116	0D1709							SCREW; 10 PCS	
0117	000000								See S16
0118	0D2699				D			WHEEL SPACER TBX130 (SET X2)	
0119	0D5919							AXIS; ROUE TR250	
0120	0D5920				D			WHEEL; D125 PJO	
0121	0D2073							STUFFING BOX ASSY PL-CD4/8/13	
0122	0D1518							SOCLE 20A 3P+T LEGRAND 903 41	
0S15	0D7373							SLIDING SHOE; TR300	
0S16	0D7529				D			WHEEL SUPPORT	
0S17	0D0152							CASTOR; DIA.125/30; TBS120-140	

Зип Общепит

Vue éclatée Trémie automatique/Exploded view automatic
hopper/ Explosionszeichnung Automatischer Selbstfütterer

zip.ru

+7(812)987-08-81



Pos.	Spare Part	Alias Code	Repl. by	S	Info	Kit	Techn. Bulletin	Description	Notes
Model	All								
Table	SPTR300 Page 18 Exploded view automatic hopper								
0151	000000								See S20
0153	0D0583							SET OF 10 PCS BLIND NUTS M6	
0154	0D0624					+		WASHER; SET 10PCS	
0155	0D1177							TR300 CABLE GRIP	
0156	0D1519							FICHE 20A 3P+T LEGRAND 556 35	
0157	0U0671							SCREW; 10 PCS	
0158	0D6449				D			ENTONNOIR EMBALLE; TR300	
0159	0D3601							PLUG GPN 300 F9 DIAM.60MM	
0160	0D3733				D			MAGNET PIN TR300	
0161	0KI586			S	A	+		MAGNET	
0162	0KJ059		0D3548					PLUNGER	
0163	0KQ490				D			WASHER; 10 PCS	
0164	0KQ554				D			NUT; 10 PCS	
0165	0D2329							SCREW H M8X30 SET X10	
0166	0KQ524							WASHER; 10 PCS BMX60	
0167	0HD028							GUIA INFERIOR TR300	
0168	000000								See S23
0169	0D0675							PIN G01 8X45 INOX; 2 PCS	
0170	000000								See S23
0171	0KQ486							KEY; 10 PCS, 6X6X30 MM	
0172	0D3861				D			THRUST WASHER STLESS STL TR300	
0173	0D6448				D			SCREW; C M8X20 INOX (JEU X10)	
0174	0D1443							BLACK HANDLE M443140	
0175	0D0595							SCREW; 10 PCS	
0176	0D0657				D			SCREW; 10 PCS	
0177	0D2876							WASHER W6 SET X10	
0178	0D1401							COUSSINET COL 28X33X22 BP25	
0179	0D1742							FLANGE	
0180	0D1441							TR300 AUTOMATIC HOPPER MOTOR	
0181	0D1620							WASHER	
0182	0D0507							SCREW; 10 PCS	
0183	000000								See S24
0184	0D3936				D			SHEATH; W/CABLE	
0S20	0D0860				D			TR300 WEIR ASSEMBLY	
0S21	0D1446							TR300 EQUIPPED MAGNET	
0S22	0D3791							COMPLETE HANDLE TR300	

Зип Общепит

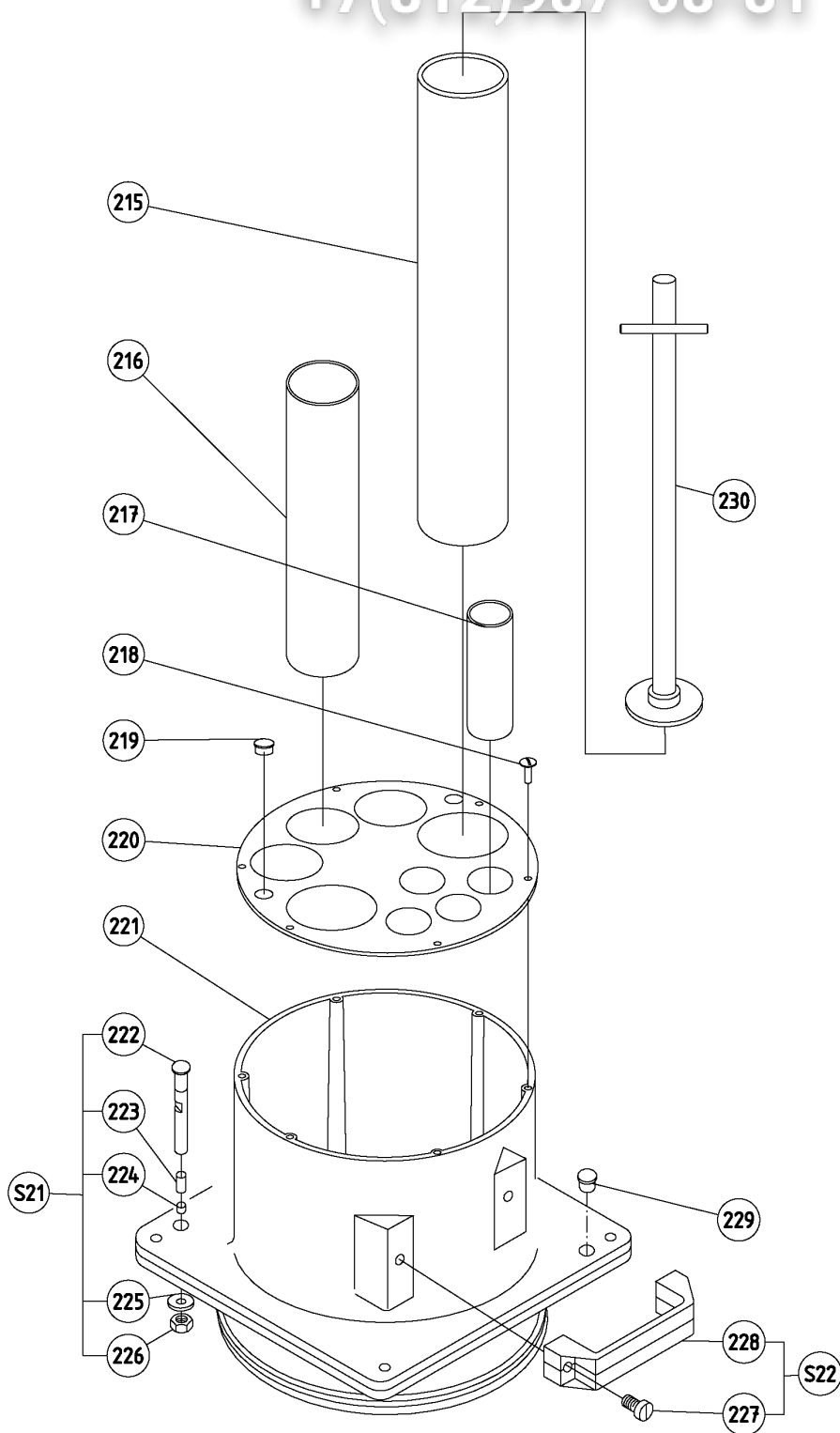
Model All
Table SPTR300 Page 18 Exploded view automatic hopper

Pos.	Spare Part	Alias Code	Repl. by	S	Info	Kit	Techn. Bulletin	Description	Notes
0S23	0D1511							HELICE NM TR300	
0S24	0D6147				D			CHAPEAU EQ TR300	

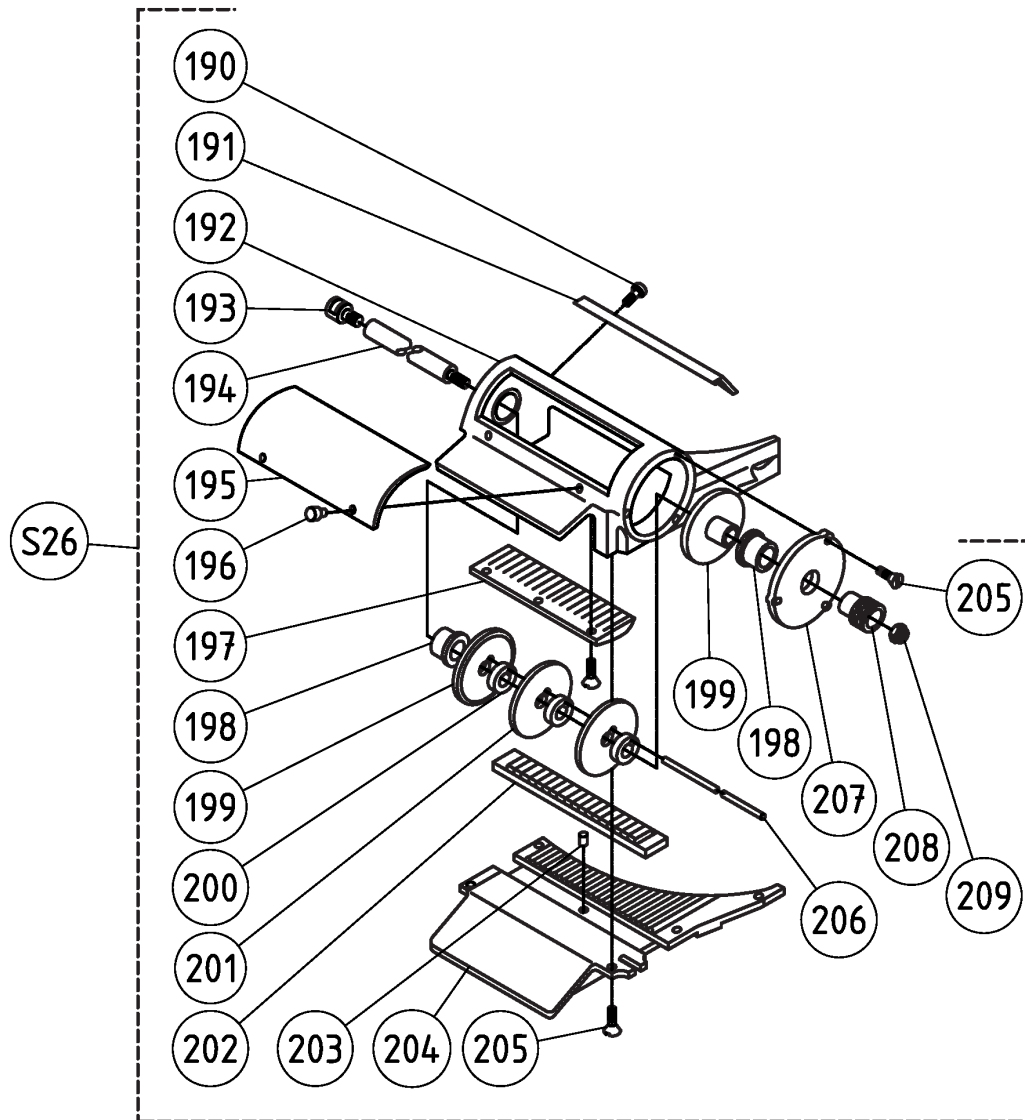
+7(812)987-08-81

Vue éclatée Trémie Légumes longs/Exploded view Long Vegetable Hopper/ Explosionszeichnung Fütterer Langes Gemüse/ Nomenclatura Tramoggia Verdure Lunghe/ Nomenclatura Tolva Hortalizas Alargadas/ Sprängskiss Matare För Långa Grönsaker

+7(812)987-08-81



Pos.	Spare Part	Alias Code	Repl. by	S	Info	Kit	Techn. Bulletin	Description	Notes
0215	000000								See S28
0216	000000								See S28
0217	000000								See S28
0218	0D0523							SCREW; 10 PCS	
0219	0U0298							BUNG	
0220	000000								See S28
0221	000000								See S28
0222	0D3733				D			MAGNET PIN TR300	
0223	0K1586			S	A	+		MAGNET	
0224	0KJ059		0D3548					PLUNGER	
0225	0KQ490				D			WASHER; 10 PCS	
0226	0KQ554				D			NUT; 10 PCS	
0227	0D6448				D			SCREW; C M8X20 INOX (JEU X10)	
0228	0D1443							BLACK HANDLE M443140	
0229	0D3601							PLUG GPN 300 F9 DIAM.60MM	
0230	0D1867				D			LONG HOPPER PUSHER TR300	
0S21	0D1446							TR300 EQUIPPED MAGNET	
0S22	0D3791							COMPLETE HANDLE TR300	



Pos.	Spare Part	Alias Code	Repl. by	S	Info	Kit	Techn. Bulletin	Description	Notes
0190	0D2894				D			METAL SCREW 5X8 STLESS STL (SET X10)	
0191	000000								See S26
0192	000000								See S26
0193	0D1587							AXIS	
0194	0D1588							SHAFT	
0195	000000								See S26
0196	000000								See S26
0197	0D1444				D			PEIGNE 10 EQ F310 TR300	
0197	0D1445				D			PEIGNE 8 EQ F308 TR300	
0197	0D6451				D			PEIGNE; 6 EQ F306 TR300	
0197	0KQ558							SCREW; 10 PCS	
0198	0D1401							COUSSINET COL 28X33X22 BP25	
0199	0D1402				D			FLASQUE DISQUE TR300	
0200	0D3938							WEDGE	
0200	0D6452				D			THICKNESS; CALE TR300 6MM	
0200	0D6463				D			COLUMN; TABLE XBM-XBE-XBB20	
0201	0D1403							DISQUE TR300	
0202	0D1589							GUIDE	
0202	0D3736				D			GUIDE SLIPPER TR300 10MM	
0202	0D6454				D			SEMELLE GUIDE; TR300 6MM	
0203	0D3422							PIN GO5 4X10 STLESS STL SET X10	
0204	000000								See S26
0205	0D2228							SCREW FB M5X12 STLESS STL MV50 SET X10	
0206	0D3939							STEM	
0207	0D3735				D			SHOTBLASTED FR FRIES ACCSSRY FLANGE TR30	
0208	0D1404							ECROU MOLETE TR300	
0209	0U0651							SELF-LOCK NUT; M10, 10 PCS	
0S26	653069							CHIP EQUIPMENT 10X10 MM	
0S26	653074							CHIP EQUIPMENT 8X8 MM	
0S26	653076							CHIP EQUIPMENT 6X6 MM	