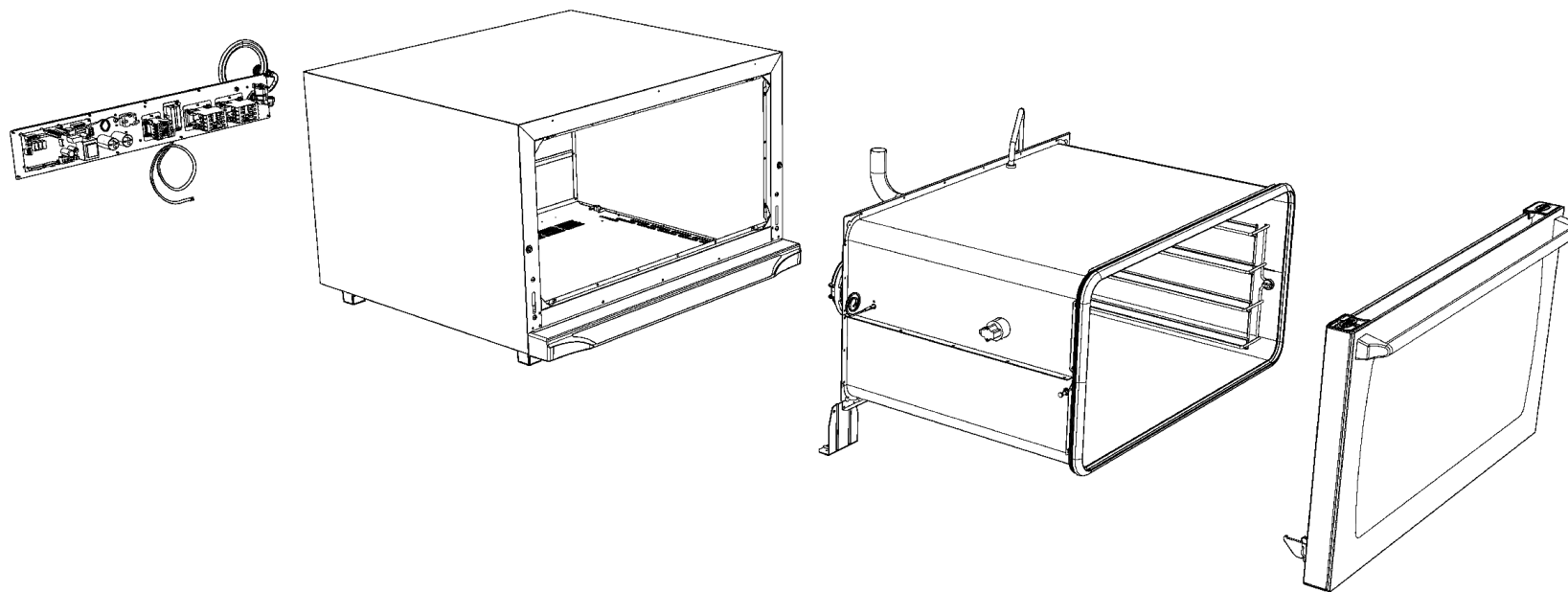


MOD:XFT195

Зип Общепит
vsezip.ru



+7(812)987-08-81



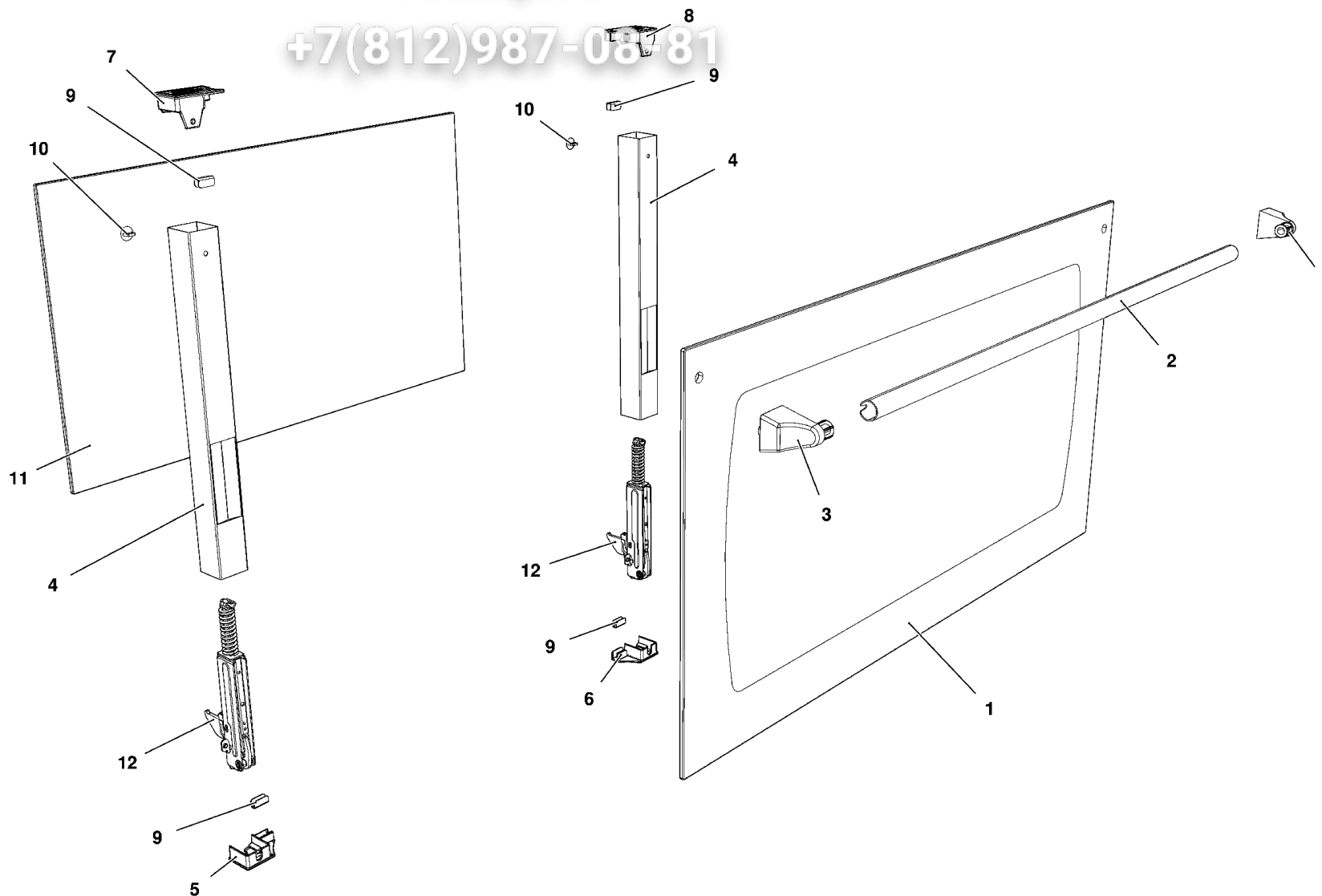
MOD:XFT195

Зип Общепит

vsezip.ru



+7(812)987-08781

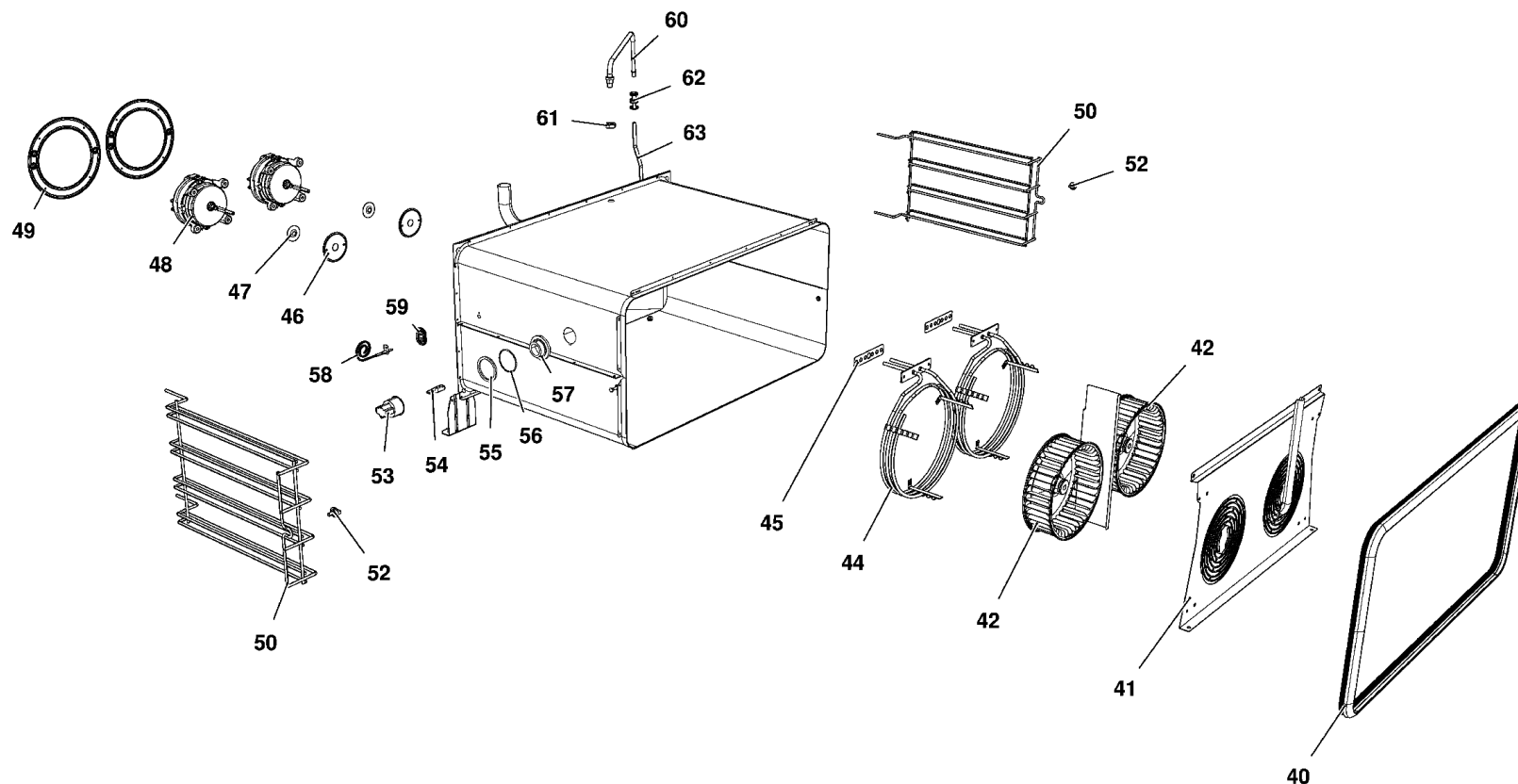


MOD:XFT195

Зип Ощепит
vsezip.ru



+7(812)987-08-81



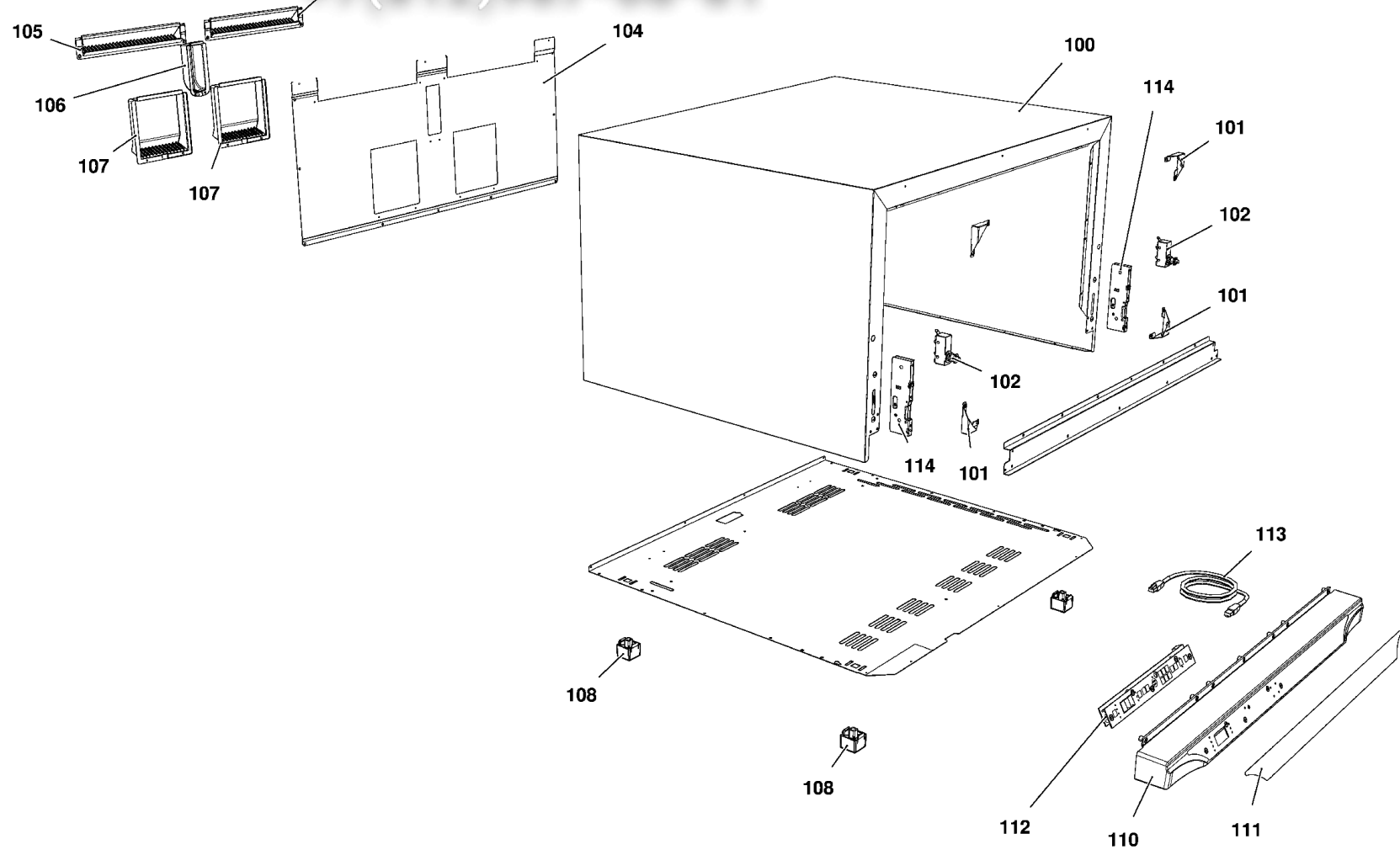
MOD:XFT195

Зип Общепит

vsezip.ru



+7(812)987-08-81

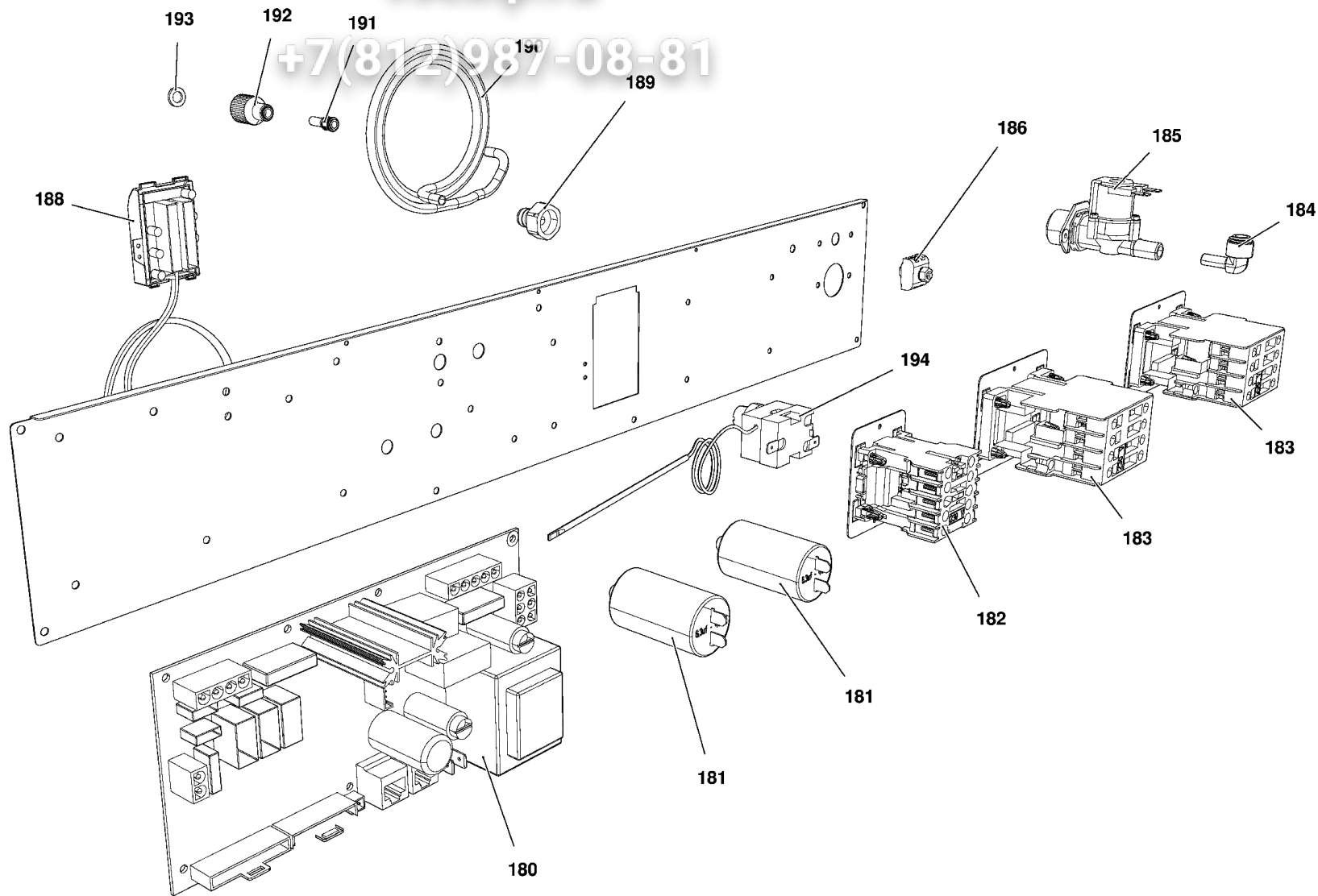


MOD:XFT195

Зип Общепит

vsezip.ru

+7(812)987-08-81



MOD:XFT195

Вип Общепит



vsezip.ru

Descrizione codici

+7(812)987-08-81

IT

| | | |
|----|----------|------------------------------------------|
| 1 | VT1072A | VETRO EST. 798X424 NERO XF190/193/195 |
| 2 | OH1930B | TUBO MANIGLIA L= 718 Ø18X1 |
| 3 | MG1015B | TERMINALE MANIGLIA L.MISS/L.MICRO/CHEFTO |
| 4 | OH1425B | COLONNINA SX/DX L.M. ARIA-ROSSEL 40X40X1 |
| 5 | VM1051A | TAPPO INF. SX COLONNINA PORTA |
| 6 | VM1050A | TAPPO INF. DX COLONNINA PORTA |
| 7 | VM1046B | TAPPO SUP. SX COLONNINA PORTA |
| 8 | VM1045B | TAPPO SUP. DX COLONNINA PORTA |
| 9 | GN1265A | GUARNIZIONE VETRO INTERNO XVC054/104 |
| 10 | VM1025A | TAPPO NYLON PA66 V2 GRIGIO Ø16 |
| 11 | VT1070B | VETRO INTERNO 715X415X6 BETFL |
| 12 | CR1050A | CERNIERA PORTA FORNO RIBALTA XVC104-LM |
| 40 | GN1354A | GN1110A-GUARNIZIONE PORTA LM ROSSELLA |
| 41 | OG1125C | CARTER ARIA LM ROSSELLA |
| 42 | VN1025A | VENTOLA D=196 H=61 38 PALE INOX DADO M8 |
| 42 | VN1025A | VENTOLA D=196 H=61 38 PALE INOX DADO M8 |
| 44 | RS1090A | RESISTENZA CIRCOLARE D=230 3 SPIRE |
| 45 | GN1327A | GUARNIZIONE RES. 100X22 |
| 46 | OH3020A | DISCO TENUTA ALBERO MOTORE |
| 47 | GN1140A | GUARNIZIONE PORTAMOTORE STAMP. |
| 48 | VN1130A | MOTORE FORNO 330W 230V 50/60HZ |
| 49 | OH3586A | LAMIERA PROTEZIONE MOTORE ZINCATO |
| 50 | GRL1025A | GRIGLIA LATERALE DX/SX CROMATA |
| 50 | GRL1025A | GRIGLIA LATERALE DX/SX CROMATA |
| 52 | VM1815A | NOTTOLINO M6 CROMATO FISS. GRIGLIE |
| 53 | VE1015A | PORTA LAMPADA SERIE 2 PER LAMPADA |
| 54 | VE1005A | LAMPADA HALOPIN 25W |
| 55 | GN1065A | GUARNIZIONE PORTALAMPADA DE=53.2 |
| 56 | GN1055A | OR 46X2 VMQ 70 ROSSO |
| 57 | VT1195A | VETRO COPRILAMPADA BOROSILICATO TEMPRATO |
| 58 | TR1105A | SONDA TEMPERATURA PT100 L1000 |

| | | |
|-----|----------|------------------------------------------|
| 59 | VM12052A | COPERCHIO SONDA TEMPERATURA LM |
| 60 | OH1990A | TUBO EST. UMIDITA' + RC1165A0 |
| 61 | RC1170A | DADO M14 H=8 CH=22 INOX |
| 62 | EL1055A | RIDUZIONE INTERMEDIA D10-D8 |
| 63 | TB2034A | TB1815A-IMPIANTO IDRICO FORNI LMS |
| 100 | OD1285F | MANTELLINO LM ROSSELLA |
| 101 | OH1450A | ANGOLO FACCIATA MUFFOLA INOX XB-XV-XG |
| 102 | VE1295A | MICROINTERRUTTORE PORTA MK 16A 230V UL |
| 102 | VE1295A | MICROINTERRUTTORE PORTA MK 16A 230V UL |
| 104 | OF1095C | SCHIENA LM ROSSELLA |
| 105 | VM1950A | GRONDAIA PLASTICA |
| 106 | VM1951A | CUFFIA COPRICAMINO IP |
| 107 | VM1952A | COPRIMOTORE IP |
| 108 | PD1001A | PIEDINO 35X35 H26 PLASTICA+GOMMA GRIGIO |
| 108 | PD1001A | PIEDINO 35X35 H26 PLASTICA+GOMMA GRIGIO |
| 110 | VM2017A | CRUSCOTTO COMANDI DYNAMIC LMISS800 |
| 111 | MS1013A | MASCHERINA SERIGRAFATA DYNAMIC LM800 TOU |
| 112 | PE1980A | ASM SCHEDA CONTROLLO LMISS DYNAMIC |
| 113 | CE1012A | CAVO DI RETE RJ45 L1MT |
| 114 | CR1000A | ATTACCO CERNIERA PORTA FORNO RIBALTA |
| 180 | PE1983A | SCHEDA POTENZA 230V LMISS DYNAMIC |
| 181 | VE1110A | CONDENSATORE 6,3 7F 450VAC 50/60HZ |
| 182 | VE1115A | MINICONTATTORE QUADRIPOLORE 20 A 230 V |
| 183 | VE1095A | TELERUTTORE GE 25A 230V 50/60 |
| 184 | EL1195A | RACCORDO A GOMITO CON J.GUEST |
| 185 | EL1085A | ELETTR.SING. ATT. J.GUEST INCORPORATO |
| 186 | VM1750A | MORSETTIERA A PETTINE |
| 188 | CE1130A | CAVO 5X1,5MMQ H07RN-F L=1,5M + MORS.K1/6 |
| 189 | RC1030A | RACCORDO DIRITTO D=8 - 3/4 FEMMINA JOHN |
| 190 | TB1079A | TUBO D8 ALLACCIAMENTO RETE LMISS |
| 191 | RC1002A | RACCORDO RIDUZIONE CODOLO 10M-8F |

| | | |
|-----|---------|-------------------------------------|
| 192 | RC1365A | RACCORDO JG FEMMINA 3/4"-10 |
| 193 | GN1200A | GUARNIZIONE D=24 RACCORDO 3/4 GOMMA |
| 194 | TR1136A | TERMOSTATO SIC. UNIP. 330°C |

MOD:XFT195

Вип Общепит

vsezip.ru

Codes descriptions



EN

+7(812)987-08-81

| | | |
|----|----------|------------------------------------------|
| 1 | VT1072A | LINE MISS ROSSELLA BLACK EXTERNAL GLASS |
| 2 | OH1930B | HANDLE TUBE L= 718 Ø18X1 |
| 3 | MG1015B | L.MISS/L.MICRO/CHEFTOP HANDLE TERMINALS |
| 4 | OH1425B | L.M. ARIANNA-ROSE LEFT/RIGHT DOOR COLUMN |
| 5 | VM1051A | LOWER COVER FOR LEFT COLUMN OF |
| 6 | VM1050A | LOWER COVER FOR RIGHT COLUMN OF |
| 7 | VM1046B | LEFT UPPER LID FOR COLUMN FOR |
| 8 | VM1045B | RIGHT UPPER LID FOR COLUMN FOR |
| 9 | GN1265A | INTERNAL GLASS SEAL XVC054/104 |
| 10 | VM1025A | NYLON LID PA66 V2 GREY Ø16 |
| 11 | VT1070B | INTERNAL GLASS 715X415X6 BTFL |
| 12 | CR1050A | DOOR HINGE XVC104-LM ROSSELLA |
| 40 | GN1354A | LINEMISS ROSSELLA DOOR GASKET - GN1110A |
| 41 | OG1125C | LINEMISS ROSSELLA FAN GUARD |
| 42 | VN1025A | FAN D=196 H=61 38 BLADES STAINLESS |
| 42 | VN1025A | FAN D=196 H=61 38 BLADES STAINLESS |
| 44 | RS1090A | CIRC.HEAT. ELEMENT D=230 3 TURNS |
| 45 | GN1327A | HEATING ELEMENT GASKET 100X22X0.8 |
| 46 | OH3020A | MOTOR SHAFT SEALING DISC |
| 47 | GN1140A | MOLDED MOTOR SUPPORT GASKET |
| 48 | VN1130A | 330W 230V 50/60HZ MOTOR |
| 49 | OH3586A | ZINCATE MOTOR GUARD PLATE XBC-XVC |
| 50 | GRL1025A | RIGHT/LEFT LAT.GRID CHROMIUM-PLATED |
| 50 | GRL1025A | RIGHT/LEFT LAT.GRID CHROMIUM-PLATED |
| 52 | VM1815A | M6 LATERAL SUPPORTS FIXING BOLT |
| 53 | VE1015A | LAMP HOLDER SERIE 2 FOR HALOGEN LAMP |
| 54 | VE1005A | HALOGEN LAMP 33W ENERGY SAVER |
| 55 | GN1065A | SEAL FOR LAMP GLASS COVER (PURE |
| 56 | GN1055A | OR 46X2 VMQ 70 RED |
| 57 | VT1195A | BOROSILICATE LIGHT BULB GLASS COVER |
| 58 | TR1105A | TEMPERATURE PROBE PT100 L1000 |

| | | |
|-----|----------|-----------------------------------------|
| 59 | VM12052A | LINEMISS TEMPERATURE PROBE COVER |
| 60 | OH1990A | EXTERNAL WATER PIPE + STAINLESS |
| 61 | RC1170A | STAINLESS STEEL NUT M14 H=8 CH=22 |
| 62 | EL1055A | INTERMEDIATE REDUCTION FROM D=10 TO D=8 |
| 63 | TB2034A | L.MISS WATER SYSTEM - TB1815A |
| 100 | OD1285F | LINEMISS ROSSELLA EXTERNAL CHASING |
| 101 | OH1450A | XB-XV-XG ST. STEEL MUFFLE FRONT CORNER |
| 102 | VE1295A | DOOR MICROSWITCH MK 16A 230V UL |
| 102 | VE1295A | DOOR MICROSWITCH MK 16A 230V UL |
| 104 | OF1095C | LINE MISS ROSSELLA BACK PANEL |
| 105 | VM1950A | PLASTIC DRIP FLAP |
| 106 | VM1951A | IP CHIMNEY COVER |
| 107 | VM1952A | IP MOTOR COVER |
| 108 | PD1001A | FOOT 35X35 H26 GREY PLASTIC+RUBBER |
| 108 | PD1001A | FOOT 35X35 H26 GREY PLASTIC+RUBBER |
| 110 | VM2017A | 600X400 LINEMISS DYNAMIC CONTROL BOARD |
| 111 | MS1013A | L.MISS TOUCH DYN. CONTROL BOARD STICKER |
| 112 | PE1980A | LINEMISS DYNAMIC CONTROL BOARD |
| 113 | CE1012A | RI45 CABLE L= 1 MT |
| 114 | CR1000A | HINGE LATCH L.M. |
| 180 | PE1983A | LINEMISS DYNAMIC POWER CARD |
| 181 | VE1110A | CONDENSER 6,3 7F 450VAC 50/60HZ |
| 182 | VE1115A | MINI CONTACTOR WITH 4 POLES 20 A 230 V |
| 183 | VE1095A | REMOTE CONTROL SWITCH GE 25A 230V |
| 184 | EL1195A | ELBOW UNION WITH J.GUEST TERMINAL |
| 185 | EL1085A | WATER SINGLE ELECTROVALVE WITH |
| 186 | VM1750A | TERMINAL BOARD |
| 188 | CE1130A | CABLE 5X1,5MMQ H07RN-F L=1,5M |
| 189 | RC1030A | STRAIGHT JOINT D=8-3/4 FEMALE JOHN |
| 190 | TB1079A | L.MISS D8 WATER PIPE |
| 191 | RC1002A | 10M-8F J.G. TERMINAL REDUCTION FITTING |

| | | |
|-----|---------|-------------------------------------|
| 192 | RC1365A | 3/4"-10 JG FEMALE CONNECTION |
| 193 | GN1200A | 3/4 CONNECTION SEAL D=24 RUBBER+NET |
| 194 | TR1136A | SAFETY THERMOSTAT UNIP. 330°C |