

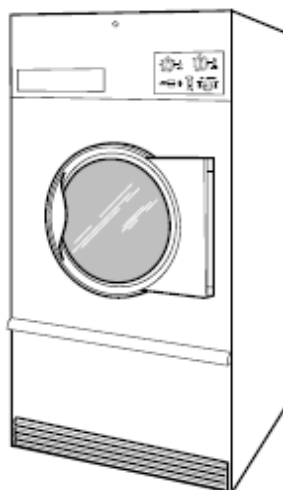
Зип Общепит

vsezip.ru

+7(812)987-08-81

INDUSTRIAL TUMBLE DRYERS

25kg



SPARE PARTS

70421801R1
Publication date: Mar 2010

Зип Общепит

vsezip.ru

+7(812)987-08-81

Table of Contents

Title	Page
Parts Ordering Information.....	3
Serial Plate Location	3
Model Identification	5
Product Overview - Heat Source and Voltage	6
Product Overview - Control Suffixes (Drawing 1 of 2).....	8
Product Overview - Control Suffixes (Drawing 2 of 2).....	10
Control Box	12
Fire Suppression System Control Box	14
Single Drop Controls	16
Dual Digital Timer Controls	18
DMP Control	20
DX4 Electronic Control.....	22
OPL Microprocessor Controls	24
Coin Drop Components for MDC Models.....	26
Central Pay and Card Reader MDC Models	28
Optional Card Reader Mountings for MDC Models.....	30
Coin Drops	32
Coin Drop Kits	34
Coin Drop Components for Quantum Control.....	36
Card Reader Components for Quantum Control	38
Network Board for Quantum Control.....	40
Network Connection for Quantum.....	42
Emergency Stop Button - CE Models	44
Cabinet Front Components	46
Cabinet Panels and Nameplates	48
Front Panel Assemblies	50
Lint Panel Switch Assembly	52
Lower Cabinet Front Components	54
Cabinet Limit and Thermistor Assembly	56
Cabinet Components	58
Door and Hinge Components	60
Cylinder, Trunnion and Bearing Components	62
Reversing Cylinder Drive Motor and Components.....	64
Drive Components for Reversing Models	66
Drive Components for Nonreversing Models	68
Idler Housing Assembly for Reversing Models	70
Idler Assembly for Nonreversing Models	72
Fan Components	74
Fan Motors	76
Gas Heater Components	78
Burner Orifices for Non-CE Models	80

Electric Heater Components	82
Airflow Switch Assembly	84
Steam Heater and Valve	86
Rotation Sensor	88
Duct and Damper Assembly	90
Rear Panel Assembly	92
Control Tray Wrap Components	94
Control Tray Fuses	96
Control Tray Harnesses for Gas and Steam Models	98
Control Tray Components for Gas Models	100
Control Tray Components for Steam Models.....	102
Control Tray Harnesses for Electric Models.....	104
Control Tray Components for Non-CE Electric Models.....	106
Control Tray Components for CE Electric Models	108
Parts Index.....	111

Зип Общепит

vsezip.ru

+7(812)987-08-81

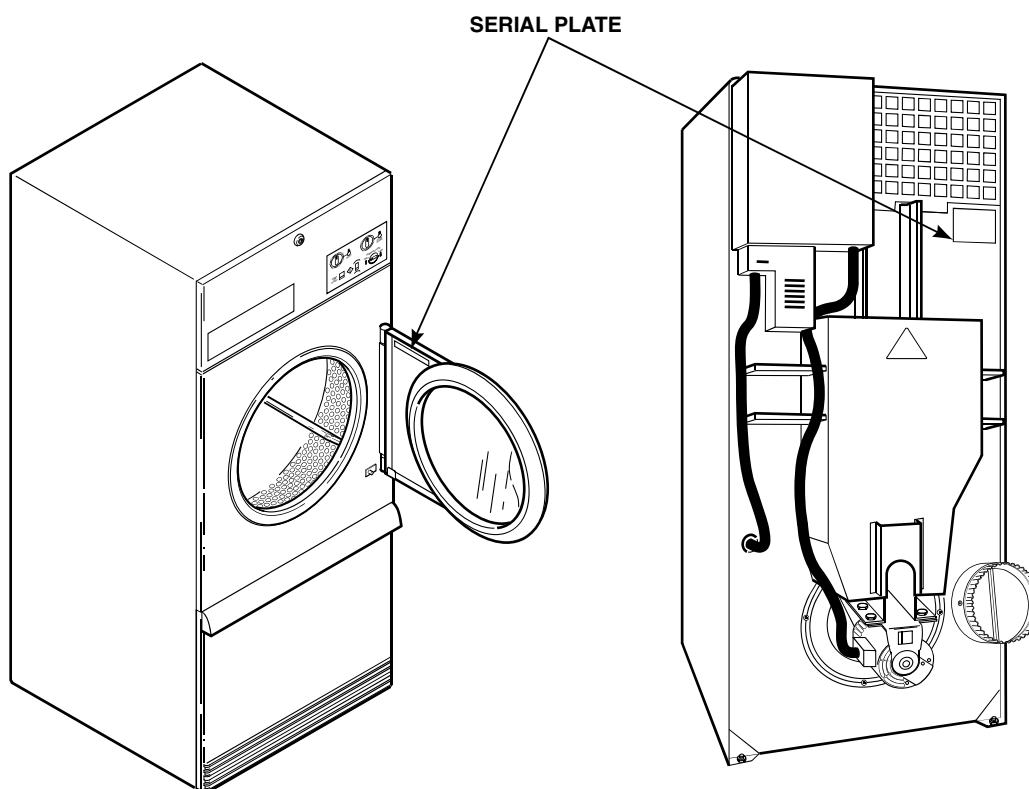
Parts Ordering Information

If literature or replacement parts are required, contact the source from whom the machine was purchased.

+7(812)987-08-81

Serial Plate Location

When calling or writing about your product, be sure to mention model and serial numbers. Model and serial numbers are located on serial plate(s) as shown.



TMB2235N_70421801

Notes
Зип Общепит

vsezip.ru

+7(812)987-08-81

Model Identification

Information in this manual is applicable to these tumbler models:

CA050L	GA050L	KA050L	PA050L	UA050L
CA050N	GA050N	KA050N	PA050N	UA050N
CT050E	GT050E	KT050E	PT050E	UT050E
CT050L	GT050L	KT050L	PT050L	UT050L
CT050N	GT050N	KT050N	PT050N	UT050N
CT050S	GT050S	KT050S	PT050S	UT050S
CT050T	GT050T	KT050T	PT050T	UT050T
CU050E	GU050E	KU050E	PU050E	UU050E
CU050L	GU050L	KU050L	PU050L	UU050L
CU050N	GU050N	KU050N	PU050N	UU050N
CU050S	GU050S	KU050S	PU050S	UU050S
CU050T	GU050T	KU050T	PU050T	UU050T
DR55E2-BT050E	HA050L	LA050L	SA050L	YT050E
DR55E2-BU050E	HA050N	LA050N	SA050N	YT050L
DR55G2-BA050L	HT050D	LT050E	ST050D	YT050N
DR55G2-BA050N	HT050E	LT050L	ST050E	YT050S
DR55G2-BT050D	HT050L	LT050N	ST050L	YT050T
DR55G2-BT050L	HT050N	LT050S	ST050N	
DR55G2-BT050N	HT050S	LT050T	ST050S	
DR55S2-BT050S	HT050T	LU050E	ST050T	
DR55S2-BT050T	HU050E	LU050L	SU050E	
DR55G2-BU050L	HU050L	LU050N	SU050L	
DR55G2-BU050N	HU050N	LU050S	SU050N	
DR55S2-BU050S	HU050S	LU050T	SU050S	
DR55S2-BU050T	HU050T		SU050T	
IPD50E2-IT050E				
IPD50G2-IT050L				
IPD50G2-IT050N				
IPD50S2-IT050S				
IPD50S2-IT050T				

Control Suffixes (7th and 8th characters):

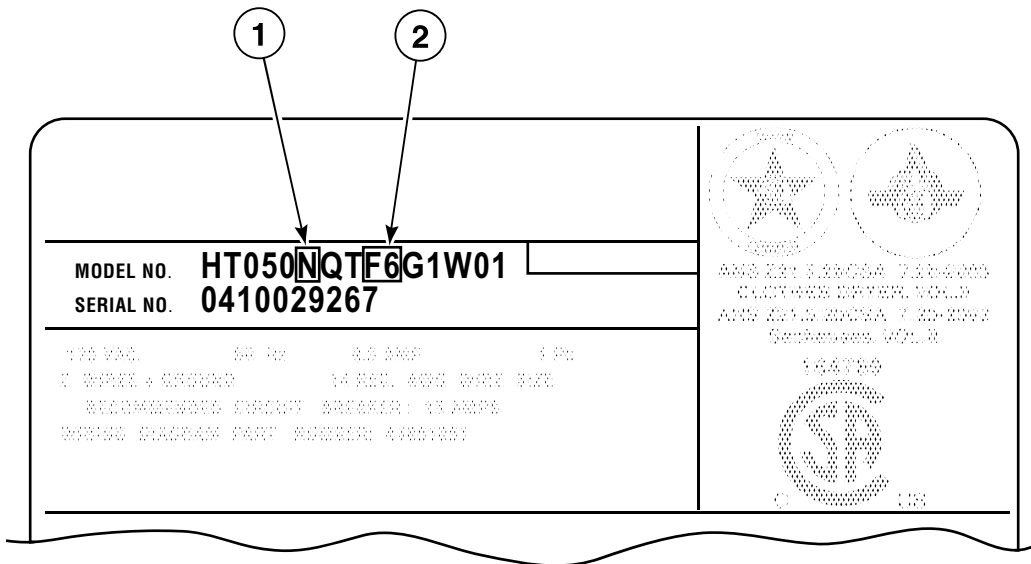
3O - DX4 OPL	DO - DMP OPL	R3 - reversing DX4 OPL
3V - DX4 vended	DV - DMP vended	RD - reversing DMP OPL
3X - DX4 prep for coin	DX - DMP prep for coin	RM - reversing OPL Micro
BC - basic electronic, coin	LC - network adaptable coin	RQ - reversing dual digital timer
BG - basic electronic, OPL mode	LX - network adaptable, prep for coin	SD - single drop
BL - basic electronic, central pay	LY - network adaptable, prep for card	SX - single drop, prep for coin
BX - basic electronic, prep for coin	OM - OPL Micro	WC - network ready coin
BY - basic electronic, prep for card	QT - dual digital timer	WX - network ready, prep for coin
		WY - network ready, prep for card

Product Overview - Heat Source and Voltage

Вип Обществ

vsezip.ru

+7(812)987-08-81



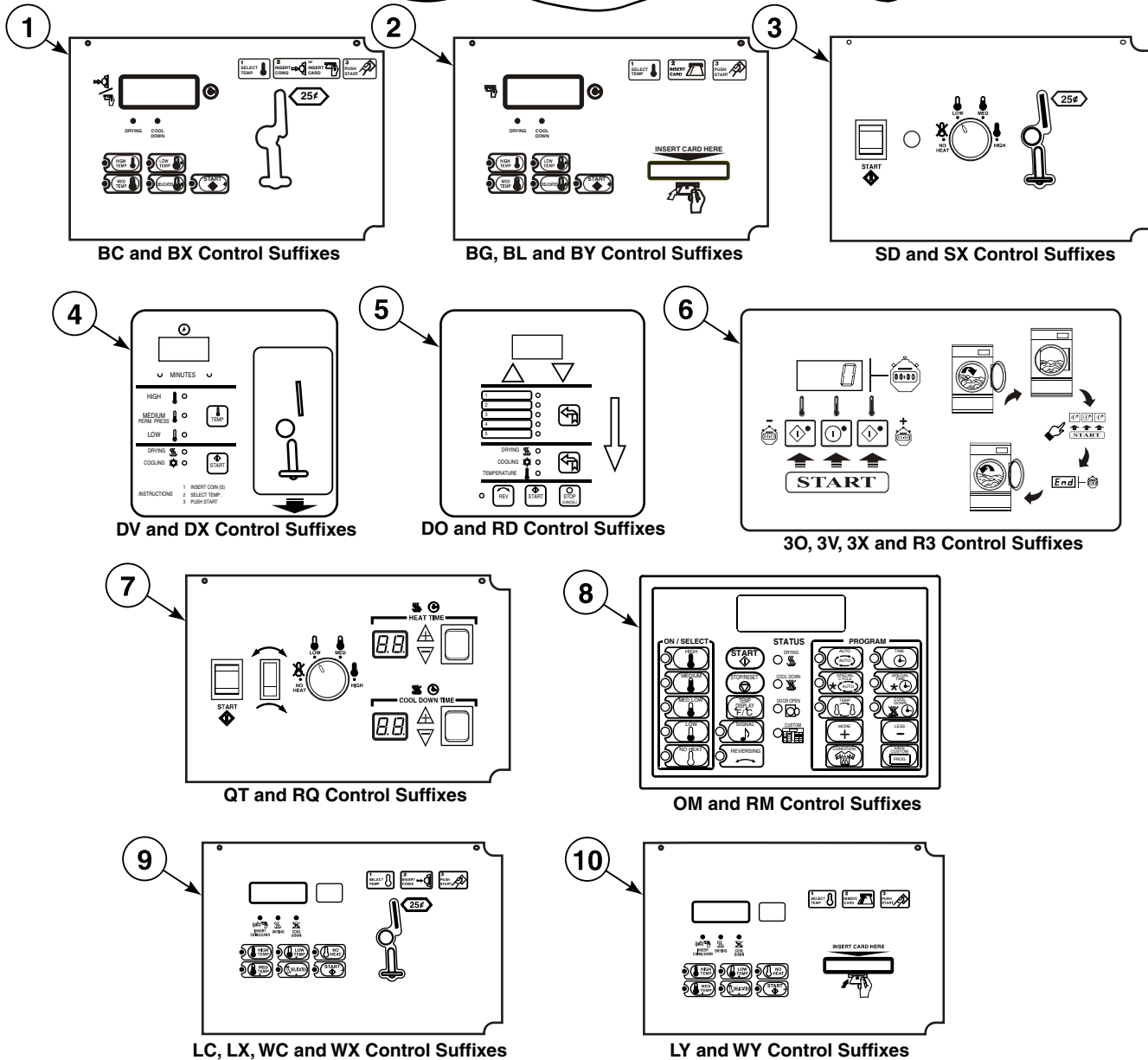
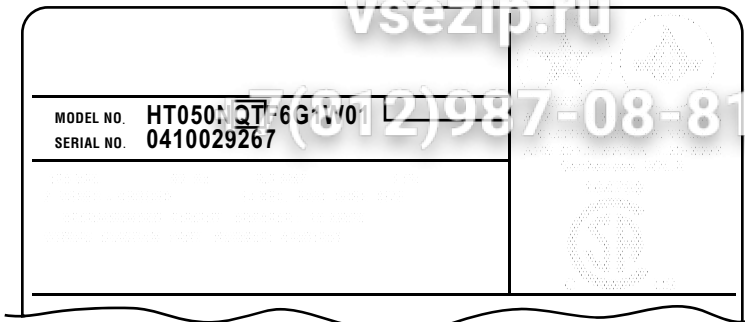
TMB2730P_70421801

Product Overview - Heat Source and Voltage

REF	PART NO.	DESCRIPTION	COMMENTS
1	-	Heat Source	D: Liquid Petroleum Gas (L.P.) E: Electric L: Liquid Petroleum Gas (L.P.) N: Natural Gas (N.G.) S: Steam T: Thermal Oil
2	-	Voltage	B1: 120 Volt/60 Hertz/1 Phase F3: 200-208 or 240 Volt/60 Hertz/1 Phase F4: 200 Volt/50 Hertz/3 Phase F5: 200-208 Volt/60 Hertz/3 Phase F6: 200-208 or 240 Volt/60 Hertz/3 Phase J1: 230 Volt/50 Hertz/1 Phase J2: 230-240 Volt/50 Hertz/1 Phase J3: 240 Volt/50 Hertz/1 Phase J5: 230 Volt/50 Hertz/3 Phase J6: 230-240 Volt/50 Hertz/3 Phase J7: 240 Volt/50 Hertz/3 Phase J8: 240 Volt/60 Hertz/3 Phase M1: 380 Volt/50 Hertz/3 Phase M2: 380 or 400-415 Volt/50 Hertz/3 Phase M3: 380 Volt/60 Hertz/3 Phase N1: 400-415 Volt/50 Hertz/3 Phase P1: 440 Volt/60 Hertz/3 Phase Q1: 460-480 Volt/60 Hertz/3 Phase Q2: 480 Volt/60 Hertz/3 Phase

Product Overview - Control Suffixes (Drawing 1 of 2)

All Models Except G and K Models



TMB2936P_70421801

Product Overview - Control Suffixes (Drawing 1 of 2)

REF	PART NO.	DESCRIPTION	COMMENTS
1	-	Control - Nonreversing	BC: basic electronic, coin BX: basic electronic, prep for coin
2	-	Control - Nonreversing	BG: basic electronic, OPL mode BL: basic electronic, central pay BY: basic electronic, prep for card
3	-	Control - Nonreversing	SD: single drop SX: single drop, prep for coin
4	-	Control - Nonreversing	DV: DMP vended DX: DMP prep for coin
5	-	Control - Nonreversing	DO: DMP OPL
	-	Control - Reversing	RD: reversing DMP OPL
6	-	Control - Nonreversing	3O: DX4 OPL 3V: DX4 vended 3X: DX4 prep for coin
	-	Control - Reversing	R3: reversing DX4 OPL
7	-	Control - Nonreversing	QT: dual digital timer
	-	Control - Reversing	RQ: reversing dual digital timer
8	-	Control - Nonreversing	OM: OPL micro
	-	Control - Reversing	RM: reversing OPL micro
9	-	Control - Nonreversing	LC: network adaptable coin LX: network adaptable, prep for coin WC: network ready coin WX: network ready, prep for coin
10	-	Control - Nonreversing	LY: network adaptable, prep for card WY: network ready, prep for card

NOTE: Coin models have the following control suffixes: 3V, 3X, BC, BX, DV, DX, LC, LX, SD, SX, WC and WX.

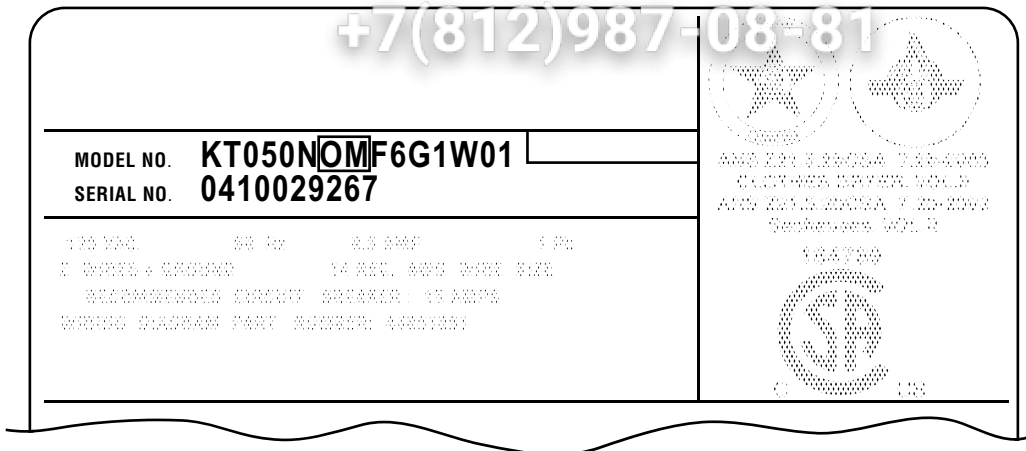
NOTE: OPL models have the following control suffixes: 3O, BG, BL, BY, DO, LY, OM, QT, R3, RD, RM, RQ and WY.

Product Overview - Control Suffixes (Drawing 2 of 2)

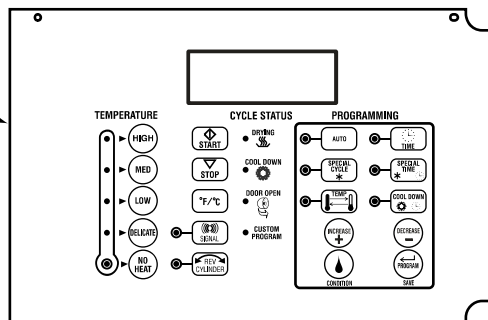
G and K Models

vsezip.ru

+7(812)987-08-81

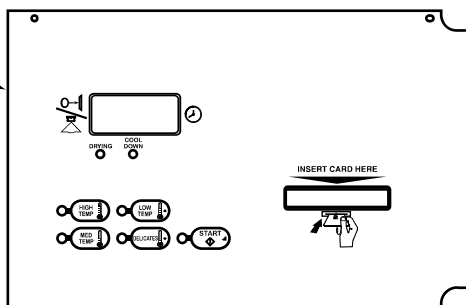


1



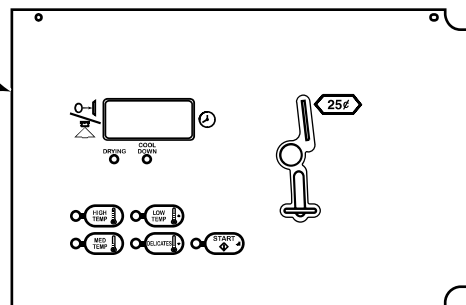
OM and RM Control Suffixes

2



BG and BL Control Suffixes

3



BC and BX Control Suffixes

TMB2937P_70421801

Product Overview - Control Suffixes (Drawing 2 of 2)

REF	PART NO.	DESCRIPTION	COMMENTS
1	-	Control - Nonreversing	OM: OPL micro
	-	Control - Reversing	RM: reversing OPL micro
2	-	Control - Nonreversing	BG: basic electronic, OPL mode BL: basic electronic, central pay
	-	Control - Nonreversing	BC: basic electronic, coin BX: basic electronic, prep for coin

NOTE: Coin models have the following control suffixes: BC and BX

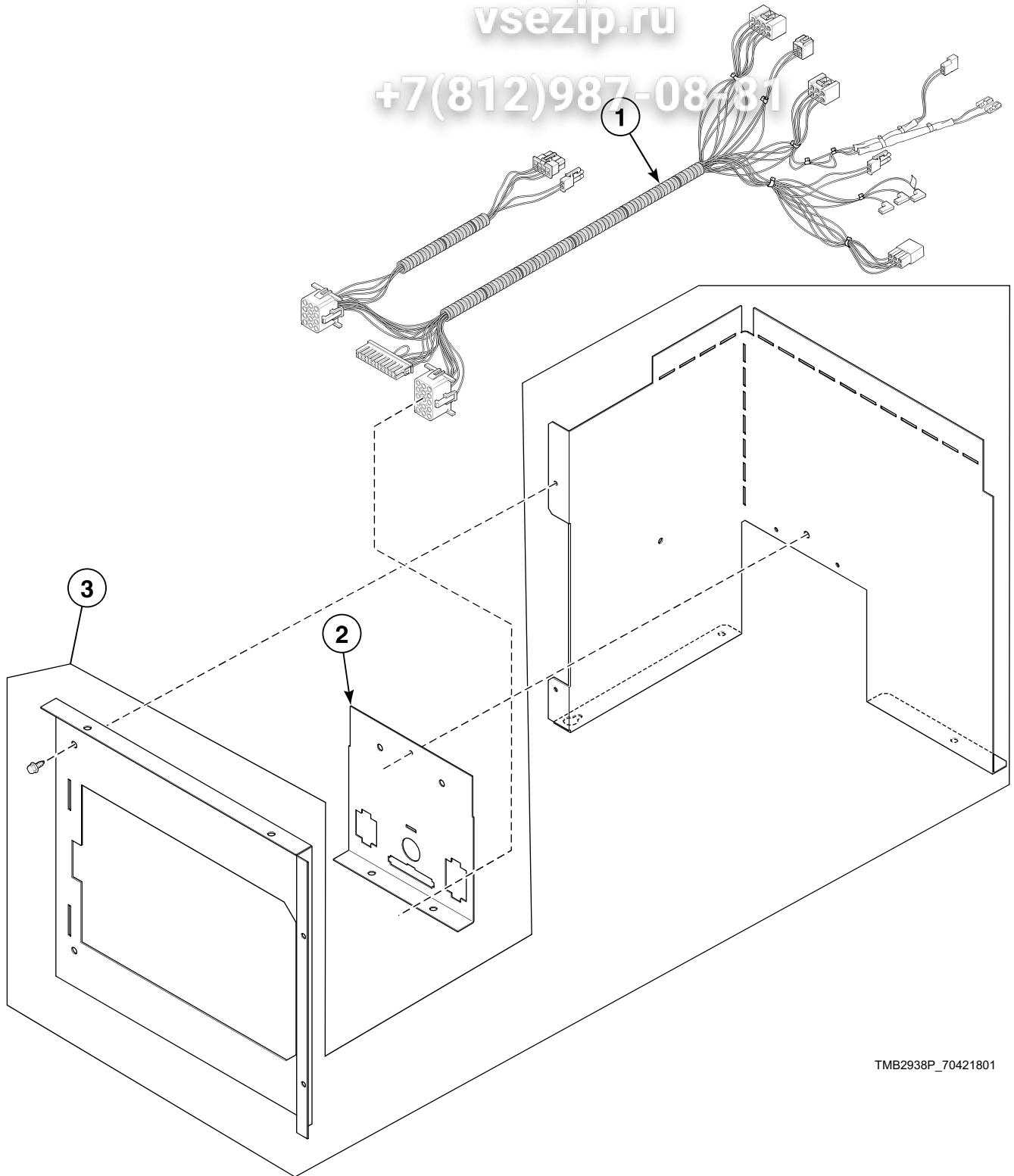
NOTE: OPL models have the following control suffixes: BG, BL, OM and RM.

Control Box

Элп Общепит

vsezip.ru

+7(812)987-08-81



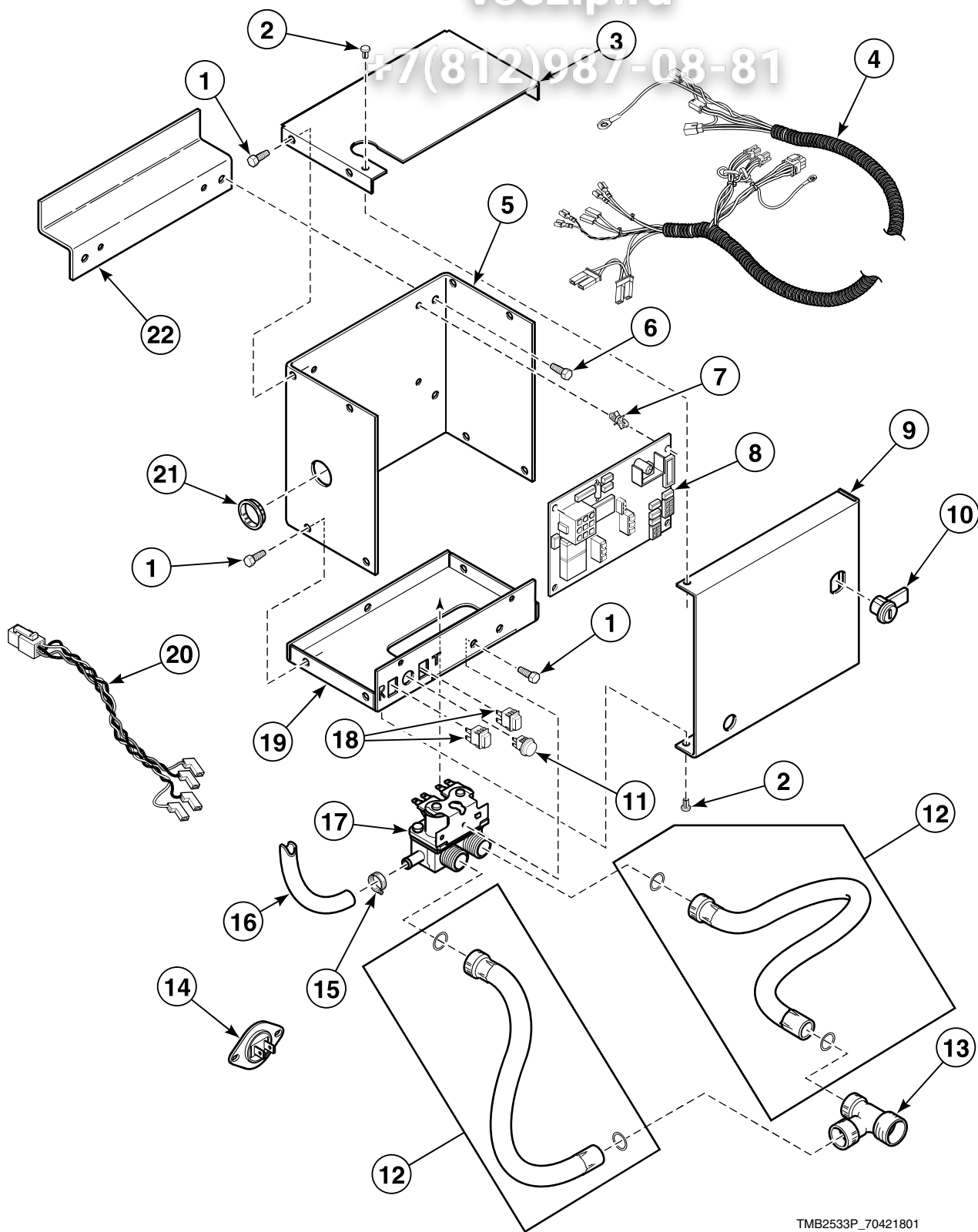
TMB2938P_70421801

Control Box

REF	PART NO.	DESCRIPTION	COMMENTS
1	44137401P	Main Harness	
2	70307002	Control Housing Cover	WC, WX and WY control suffixes
	70307001	Control Housing Cover	All other control suffixes
3	44180101	Control Box Assembly	

Fire Suppression System Control Box

C, D, G, H, I, K, S and U Gas and Steam Models
Models with a F, K, L, T or U in the 11th character (ST050NLCF6K1W01)



TMB2533P_70421801

Fire Suppression System Control Box

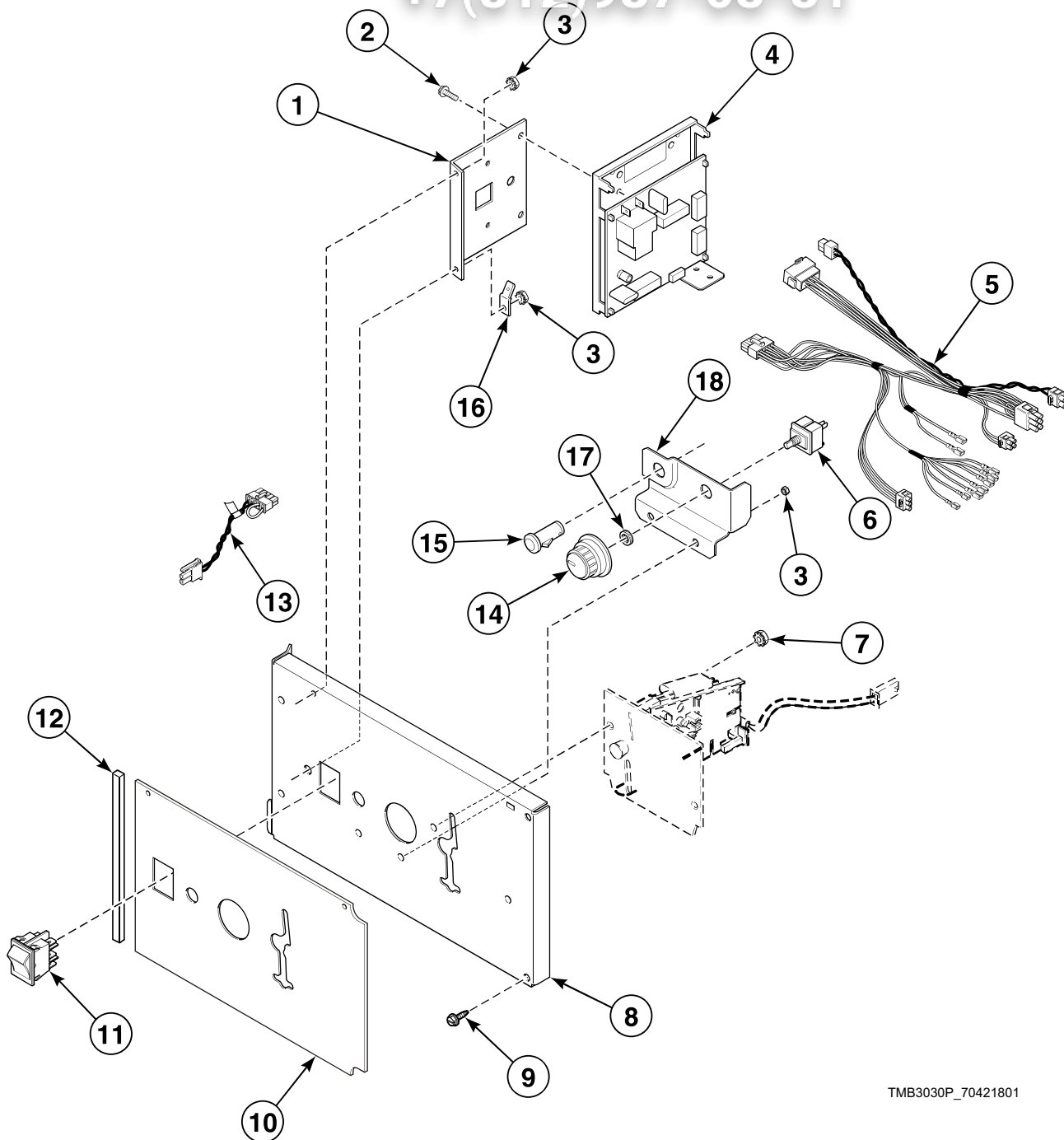
REF	PART NO.	DESCRIPTION	COMMENTS
1	430497	Screw	
2	M400713	Drive Rivet	
3	44065401	Control Box Top	
4	44141601P	Control Harness Assembly	
5	44065101	Control Box Housing	
6	51780	Screw	
7	501523	Circuit Board Support	4 required
8	44063801P	Control	
9	44065201	Control Box Cover	
10	44089301P	Lock, Key and Nut Kit	RL001 key code; Optional if same key is to be used for control lock
	70155601	Key	RL001
11	801432	Light	
12	28330P	Fill Hose Kit	2 required
13	44069101	Hose Fitting	
14	44064701	Thermistor	2 required
15	36801	Hose Clamp	
16	44073301	Hose	39 inches; Outlet hose
17	36958P	Mixing Valve	
18	801434W	Push-to-Start Switch	2 required
19	44065301	Control Box Base	
20	44141701P	Sensor Harness Assembly	
21	70178701	Snap Bushing	
22	44065901	Bracket	For mounting fire suppression system box to machine

Single Drop Controls

C, H, I and S Models Except Models HT050D, ST050D and Thermal Oil Models
Models with SD and SX Control Suffixes

vsezip.ru

+7(812)987-08-81



TMB3030P_70421801

Single Drop Controls

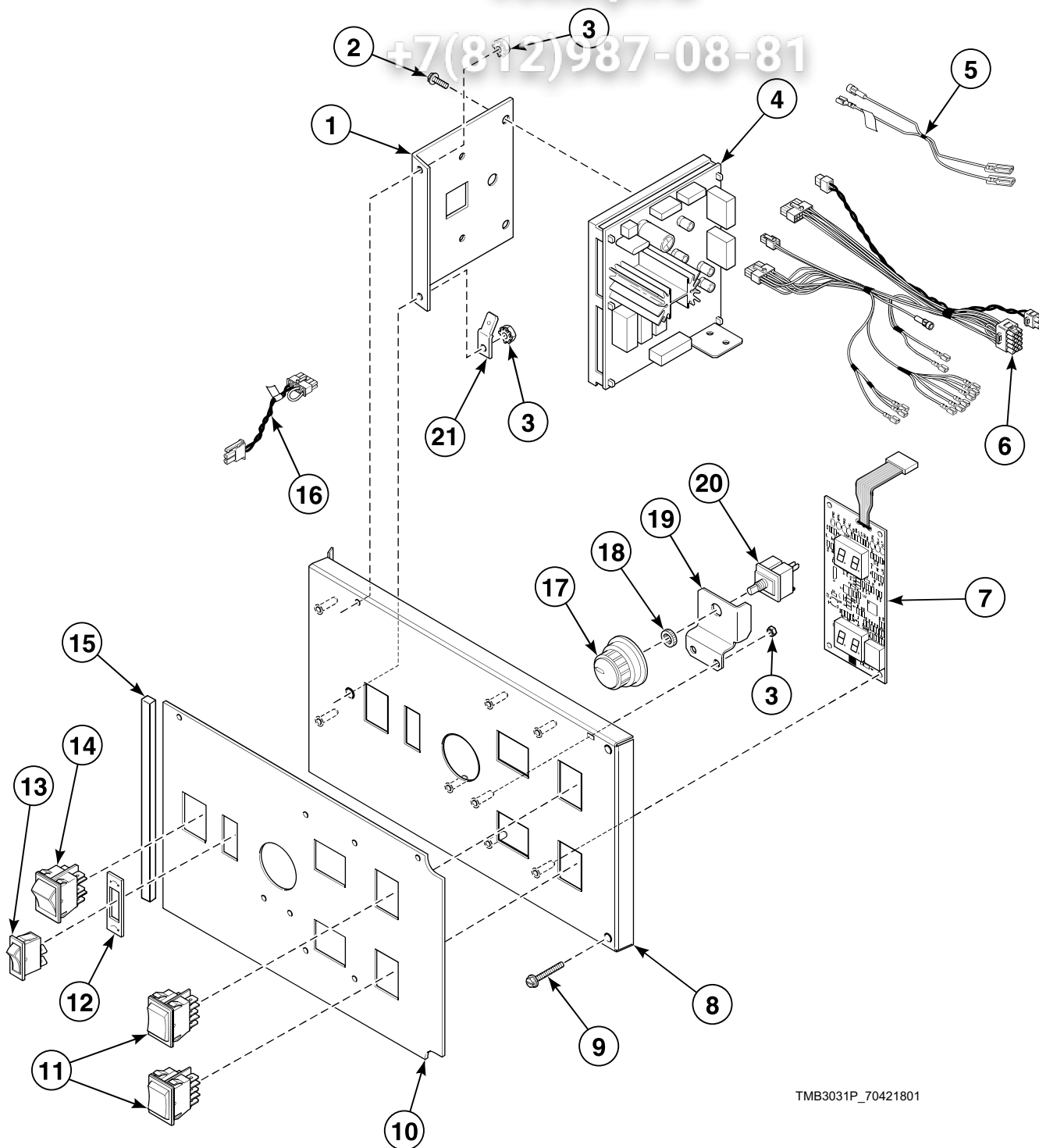
REF	PART NO.	DESCRIPTION	COMMENTS
1	70357901	Control Chassis Mounting Bracket	
2	501524	Screw	
3	70054	Nut	
4	513139P	Control Assembly	
5	70369001	Control Panel Harness	Non-CE and non-Australian models
	70398401	Control Panel Harness	CE and Australian models
6	511711	Temperature Selector Switch	
7	29786	Nut	
8	70363401	Control Door Assembly	
9	70069901	Screw	
10	70362901	Overlay	C, I and S models
	70363001	Overlay	H models
11	70365901	Rocker Switch	Start switch
12	70414101	Foam Gasket	
13	70324604	Jumper Calibration Wire	
14	44104601	Temperature Knob	
15	801431	Light	
16	00177	Male Tab Terminal	
17	24205	Nut	
18	70350201	Temperature Selector Bracket	

Dual Digital Timer Controls

C, H, I, P, S, U and Y Models
Models with QT and RQ Control Suffixes

vsezip.ru

+7(812)987-08-81



TMB3031P_70421801

Dual Digital Timer Controls

REF	PART NO.	DESCRIPTION	COMMENTS
1	70357901	Control Chassis Mounting Bracket	
2	501524	Screw	
3	70054	Nut	
4	512202P	Control Assembly	
5	44100101P	Control Harness	Reversing; Use in addition to item 6
6	70367001P	Control Panel Harness	
7	512218P	Display Assembly	
8	70360601	Control Plate Assembly	
9	70069901	Screw	
10	70362201	Overlay	C, I, S, U and Y models; Nonreversing
	70362202	Overlay	C, I, S, U and Y models; Reversing
	70362501	Overlay	H models; Nonreversing
	70362502	Overlay	H models; Reversing
	70362401	Overlay	P models; Nonreversing
	70362402	Overlay	P models; Reversing
11	70360801	Rocker Switch	
12	M413236	Switch Plate	Reversing
13	44099601	Rocker Switch	Reversing
14	70365901	Rocker Switch	Start switch
15	70414101	Foam Gasket	
16	70324604	Jumper Calibration Wire	
17	44104601	Temperature Knob	
18	24205	Nut	
19	70391701	Temperature Selector Switch Bracket	
20	511711	Temperature Selector Switch	
21	00177	Male Tab Terminal	

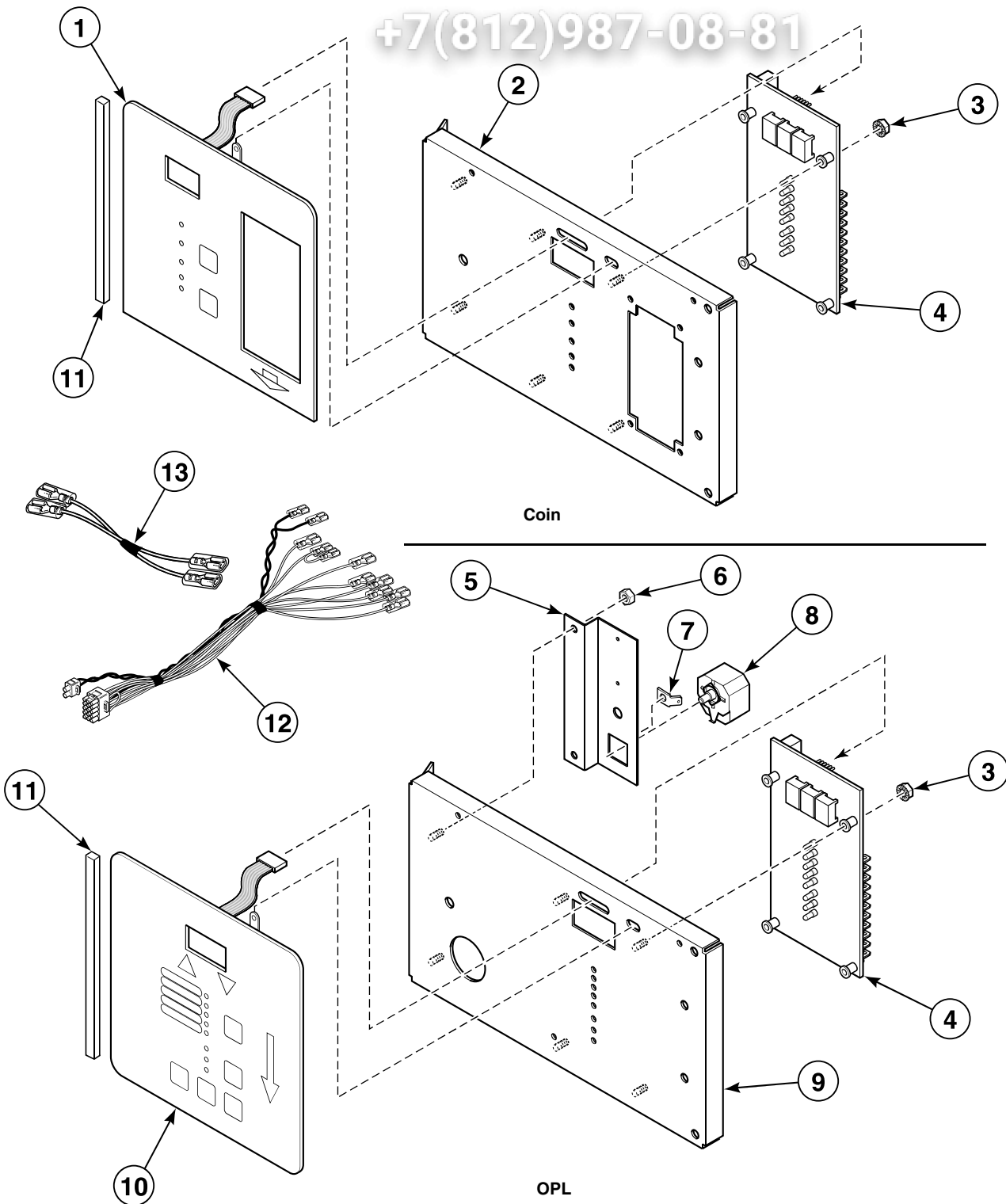
DMP Control

C and I Models

Models with DO, DV, DX and RD Control Suffixes

vsezip.ru

+7(812)987-08-81



Coin

OPL

TMB3032P_70421801

DMP Control

REF	PART NO.	DESCRIPTION	COMMENTS
	M4797P3	Control Conversion Kit	Control suffixes except CT050T and CU050T; DV and DX control suffixes
1	44039402P	Membrane Switch	Coin
2	44041001	Control Plate Assen.bly	Coin; Includes studs
3	29787	Nut	
4	44037801P	Electronic Control	
5	44041701	Relay/Buzzer Bracket	
6	70054	Nut	
7	00177	Male Tab Terminal	
8	505447	Adjustable Buzzer	
9	44040901	Control Plate Assembly	OPL; Includes studs
10	44037902P	Membrane Switch	OPL
11	70414101	Foam Gasket	
12	70341801P	Control Panel Harness Assembly	Non-CE models
	70341901P	Control Panel Harness	CE models; Coin
	70342001P	Control Panel Harness	CE models; OPL
13	44042701	Jumper Set Assembly	Coin; Use in addition to item 12
	44042801	Jumper Set Assembly	OPL; Buzzer; Use in addition to item 12

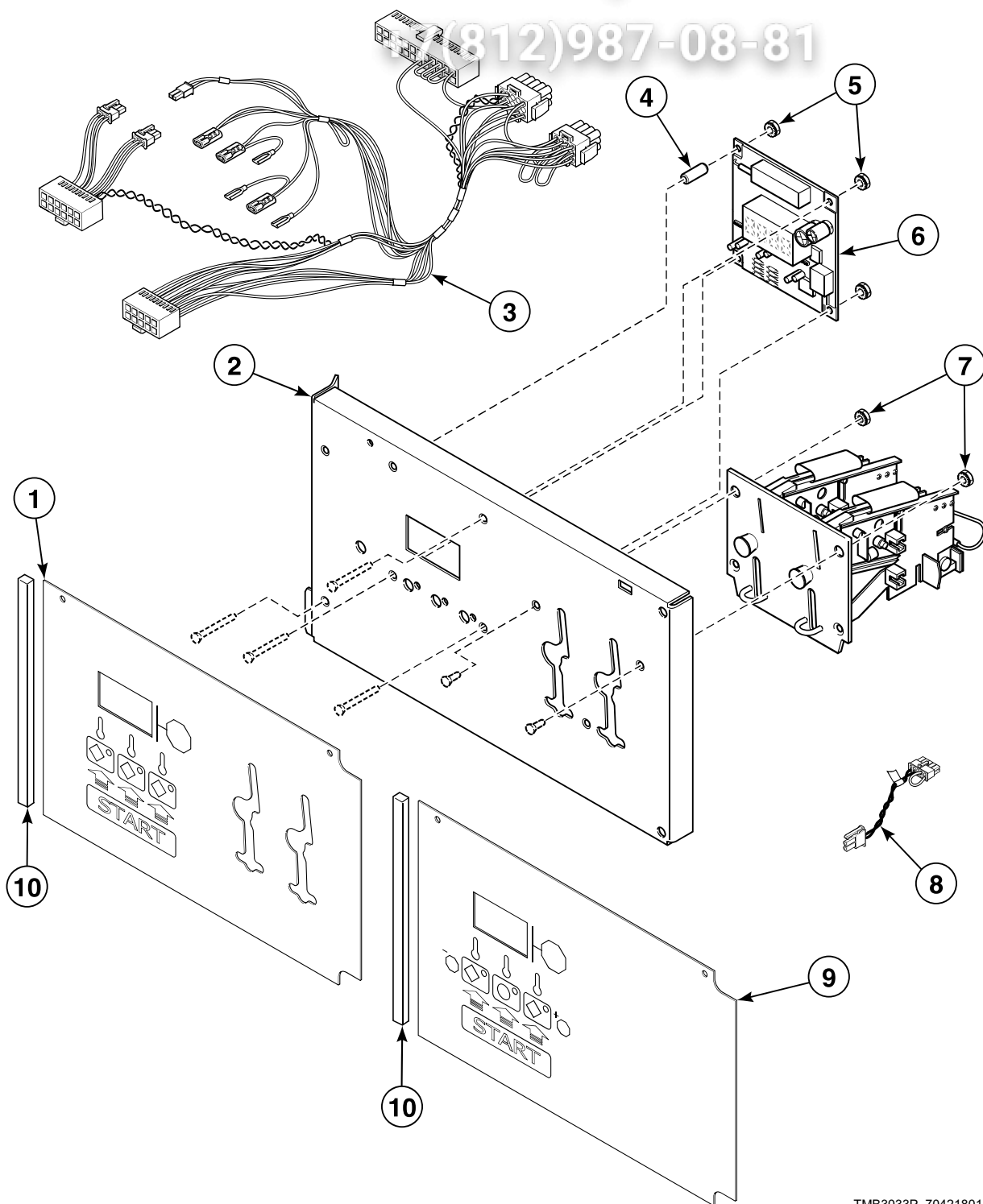
DX4 Electronic Control

D and I Models

Models with 30, 3V, 3X and R3 Control Suffixes

vsezip.ru

(812)987-08-81



TMB3033P_70421801

DX4 Electronic Control

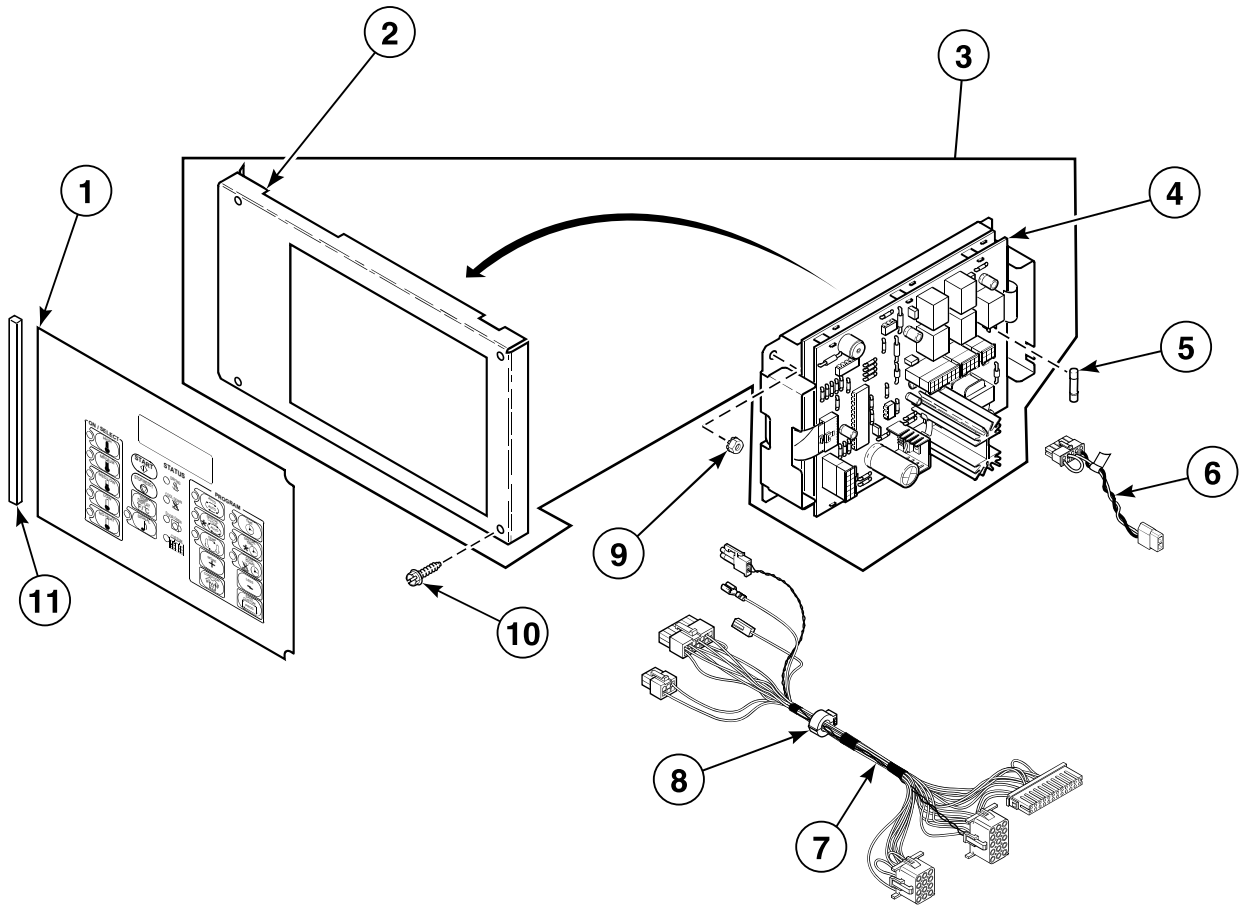
REF	PART NO.	DESCRIPTION	COMMENTS
1	44050502	Graphic Overlay	Dual; Coin (shown)
	44050501	Graphic Overlay	Single; Coin
2	44050701P	Control Plate Kit	Includes studs
3	70315601P	Control Panel Harness	Non-CE and non-Australian models
	70315701	Control Panel Harness Assembly	CE and Australian models
4	44050601	Sleeve	4 required
5	29787	Nut	
6	44051001P	Electronic Control	
7	29786	Nut	2 required
8	70324604	Jumper Calibration Wire	
9	44050401	Graphic Overlay	OPL
10	70414101	Foam Gasket	

OPL Microprocessor Controls

G, H, K, L, P, S and U Models
Models with OM and RM Control Suffixes

vsezip.ru

+7(812)987-08-81



TMB3034P_70421801

OPL Microprocessor Controls

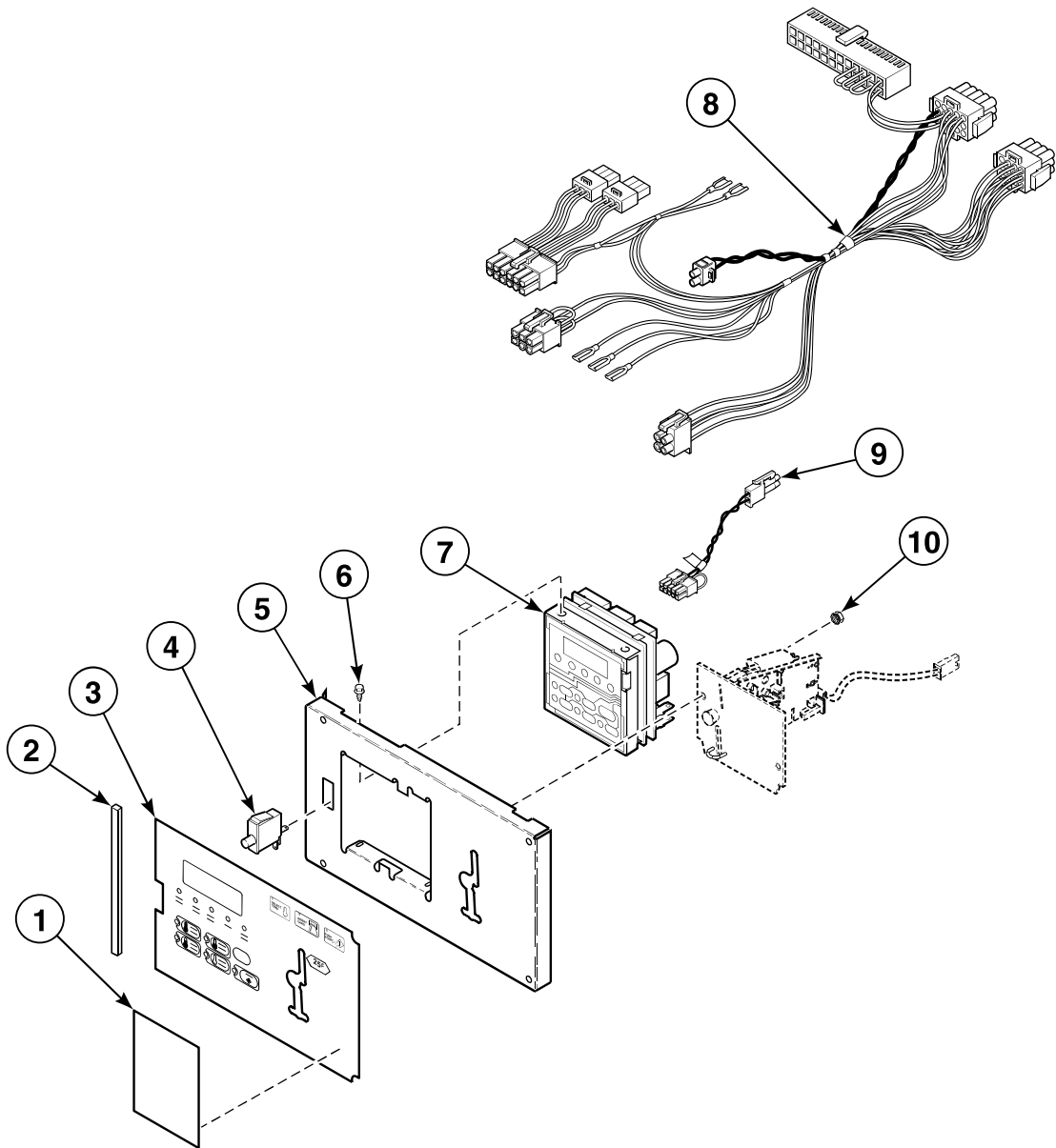
REF	PART NO.	DESCRIPTION	COMMENTS
1	70115801	Overlay	L, S and U models; Nonreversing; Text and icon
	70128401	Overlay	L, S and U models; Reversing; Text and icon
	70130401	Overlay	S and U models; Nonreversing; Icon
	70130501	Overlay	S and U models; Reversing; Icon
	70128701	Overlay	H models; Nonreversing; Text and icon
	70128601	Overlay	H models; Reversing; Text and icon
	70130601	Overlay	H models; Nonreversing; Icon
	70130701	Overlay	H models; Reversing; Icon
	70130301	Overlay	P models; Nonreversing; Text and icon
	70135301	Overlay	P models; Reversing; Text and icon
	44130002	Overlay	G and K models; Nonreversing; Text and icon
	44130001	Overlay	G and K models; Reversing; Text and icon
	2	70175805	Control Plate Assembly
3	44013601P	Control Assembly	Does not include overlay or control panel harness
4	70228401P	Control Kit	With tape
5	70406501	Fuse	
6	70084304	Jumper Calibration Wire	OM control suffix
	70084305	Jumper Calibration Wire	RM control suffix
7	70335301P	Control Panel Harness	Non-CE models
	70382701P	Control Panel Harness	CE models
8	M413930P	Ferrite Core Assembly	
9	70054	Nut	4 required
10	70069901	Screw	2 required
11	70414101	Foam Gasket	

Coin Drop Components for MDC Models

G, H, L, P and S Models Except Thermal Oil Models
Models with BC, BL and BX Control Suffixes

vsezip.ru

+7(812)987-08-81



TMB3035P_70421801

Coin Drop Components for MDC Models

REF	PART NO.	DESCRIPTION	COMMENTS
	70321201	Coin Drop Overlay Kit	P models
1	39564	Coin Drop Overlay	S models with BL** control suffix; Cover
	70246301	Coin Cover Overlay	L models with BL** control suffix; Cover
	70286701	Overlay	P models with BL** control suffix; Cover
	70275401	Overlay	H models with BL** control suffix; Cover
2	70414101	Foam Gasket	
3	70257701	Overlay	L and S models with BC, BL** and BX control suffixes; Text; Single drop
	70261001	Overlay	L and S models with BC, BL** and BX control suffixes; Icon; Single drop
	70257702	Overlay	L and S models with BC and BX control suffixes; Dual drop
	70261002	Overlay	L and S models with BC and BX control suffixes; Dual drop
	70258001	Overlay	H models with BC, BL** and BX control suffixes; Text; Single drop
	70261201	Overlay	H models with BC, BL** and BX control suffixes; Icon; Single drop
	70258002	Overlay	H models with BC and BX control suffixes; Dual drop
	70261202	Overlay	H models with BC and BX control suffixes; Icon; Dual drop
	70129501	Overlay	P models with BC* and BX* control suffixes; Single drop
	70129601	Overlay	P models with BC* and BX* control suffixes; Dual drop
	70321001	Overlay	P models with BC* and BX* control suffixes; World drop
	70259001	Overlay	P models with BC* and BX* control suffixes
	70411701	Overlay	G models with BC and BX control suffixes; Text; Single drop
	70411702	Overlay	G models with BC and BX control suffixes; Text; Dual drop
	4	70107001	Pushbutton Switch
5	70291001P	Control Plate Kit	
6	501524	Screw	4 required for mounting control
7	511867P	Control Assembly	
8	70429101P	Control Panel Harness	Non-CE models
	70429201P	Control Panel Harness	CE models
9	70324604	Jumper Calibration Wire	
10	29786	Nut	3 required

* NOTE: P models with BC or BX control suffixes require an overlay and coin drop overlay.

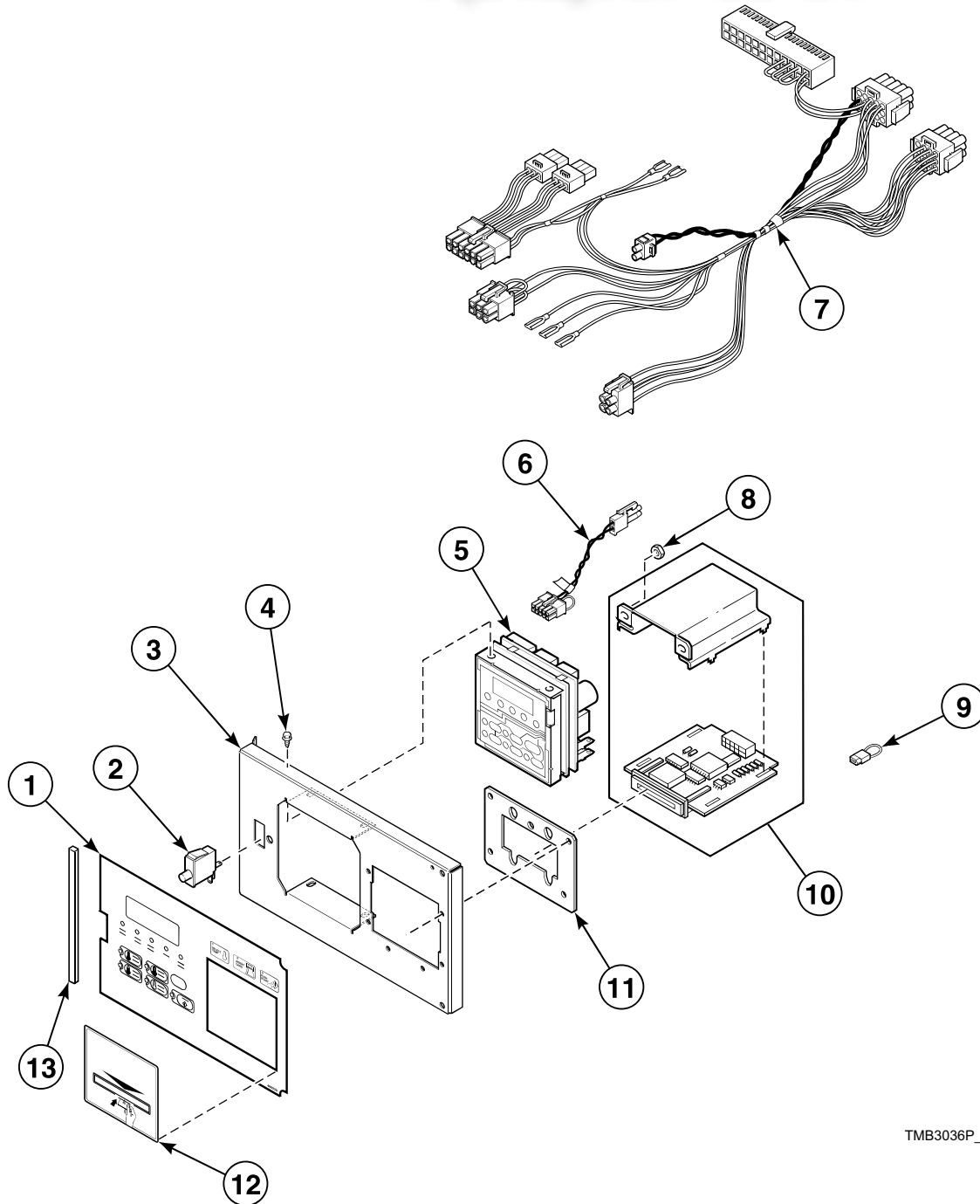
** NOTE: BL control suffix requires an overlay and overlay cover specific to model.

Central Pay and Card Reader MDC Models

G, H, K, L, P and S Models Except Thermal Oil Models
Models with BG, BL and BY Control Suffixes

vsezip.ru

+7(812)987-08-81



TMB3036P_70421801

Central Pay and Card Reader MDC Models

REF	PART NO.	DESCRIPTION	COMMENTS
1	70266701	Overlay	L and S models with BY control suffix; Text
	N/A	Overlay	L and S models with BY control suffix; Icon
	70257703	Overlay	L and S models except model ST050D with BY control suffix; Text
	70261003	Overlay	L and S models except model ST050D with BY control suffix; Icon
	70259001	Overlay	P models with BL* control suffix
	70266801	Overlay	H models with BY control suffix; Text
	70258003	Overlay	H models except model HT050D with BY control suffix; Text
	70411703	Overlay	G and K models with BG control suffix; Text
2	70107001	Pushbutton Switch	
3	70348801	Control Plate Assembly	H, P and S models except models HT050D and ST050D with BY control suffix
	70291001P	Control Plate Kit	H, L, P and S models with BL control suffix
4	501524	Screw	
5	511867P	Control Assembly	
6	70324604	Jumper Calibration Wire	
7	70429101P	Control Panel Harness	Non-CE models
	70358701	Control Panel Harness	CE models
8	70054	Nut	
9	N/A	Bypass Jumper Wire	
10	510068P	Card Reader and Bracket Assembly	
11	70208801	Mounting Plate	H, P and S models except models HT050D and ST050D with BY control suffix
12	70334201	Card Reader Overlay	S models; Black
	70334301	Card Reader Overlay	H models; Gray
	70246301	Coin Cover Overlay	G, K and L models
13	70414101	Foam Gasket	

N/A = Part no longer available

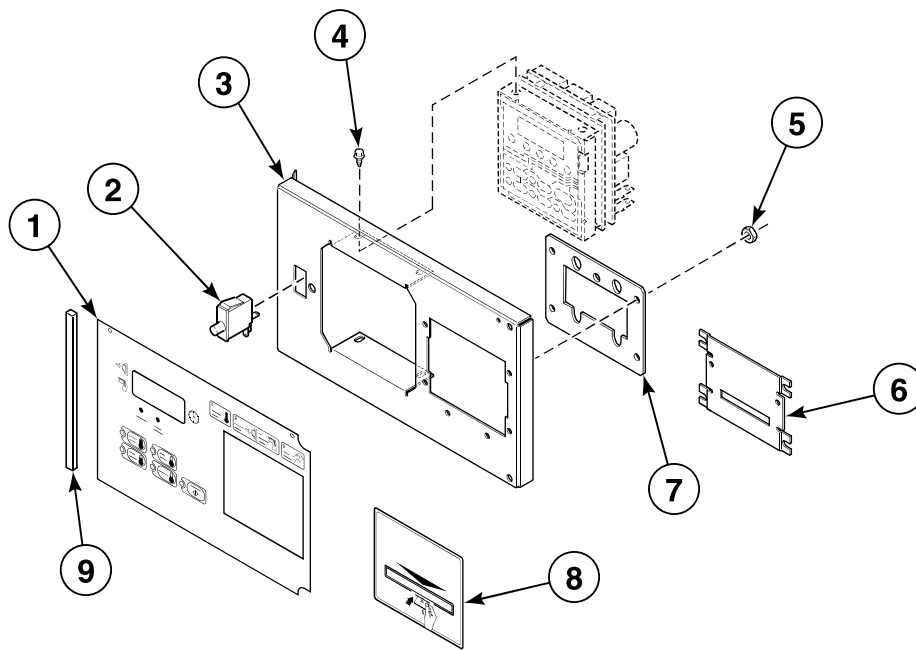
*** NOTE: BL control suffix requires an overlay and overlay cover specific to model.**

Optional Card Reader Mountings for MDC Models

H, L and S Models Except Thermal Oil Models
Models with BY Control Suffix

vsezip.ru

+7(812)987-08-81



TMB3037P_70421801

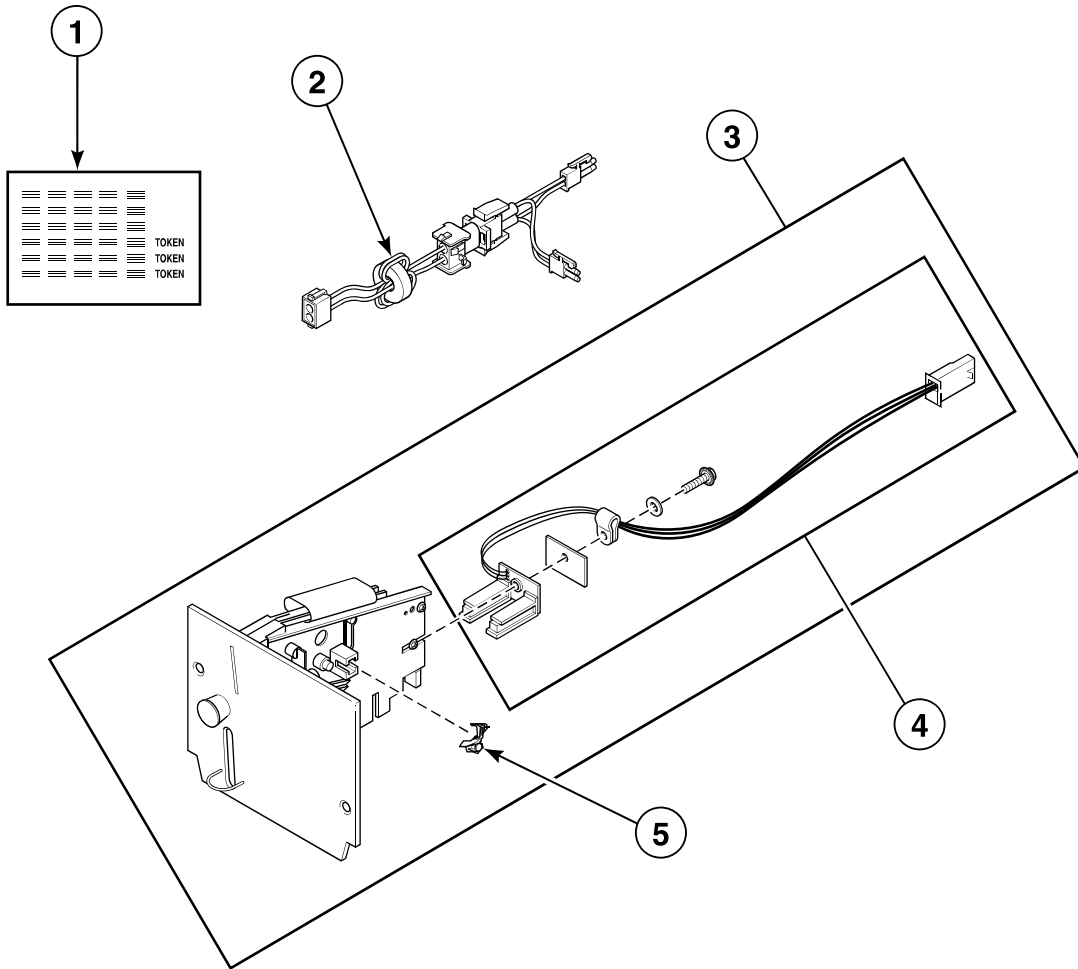
Optional Card Reader Mountings for MDC Models

REF	PART NO.	DESCRIPTION	COMMENTS
1	70257703	Overlay	L and S models; Text and icon
	70258003	Overlay	H models; Text and icon
2	70107001	Pushbutton Switch	
3	70348801	Control Plate Assembly	
4	501524	Screw	4 required
5	70054	Nut	4 required
6	44089501	Slot Card Plate Assembly	Included in literature packet
7	70208801	Mounting Plate	
8	70334201	Card Reader Overlay	Black; Included in literature packet
	70334301	Card Reader Overlay	Gray; Included in literature packet
9	70414101	Foam Gasket	

Coin Drops
Зин Общепит

vsezip.ru

+7(812)987-08-81



TMB2921P_70421801

Coin Drops

REF	PART NO.	DESCRIPTION	COMMENTS
1	38725	Coin Identification Paper	
2	44065801	Electronic Coin Drop Harness	Included in CK502 Electronic Coin Drop Kit
3	70294101P	Electronic Coin Drop Assembly	USA (default), Canada, Japan and Taiwan
	70294103P	Electronic Coin Drop Assembly	United Kingdom (default) and Europe
	70294104	Electronic Coin Drop Assembly	Euro (default), Denmark and Norway
	70294105P	Electronic Coin Drop Assembly	Australian (default), New Zealand, Hong Kong, South Korea and Malaysia
	70294106	Electronic Coin Drop Assembly	Mexico (default), Ecuador and USA dollar
	70294109	Electronic Coin Drop Assembly	Malaysia (default), China, Russia and Singapore
	70294107	Electronic Coin Drop Assembly	Lithuania (default), Latvia and Europe
	38479P	Coin Drop	USA; \$.25; Single
	70256402P	Coin Drop	USA; \$.25 and \$1.00; Dual
	70429001	Coin Drop	D models; USA
	38475	Coin Drop Assembly	Japan; 100 yen
	38519	Coin Drop Assembly	Japan; 100 and 500 yen
	38467	Coin Drop Assembly	Australia; .20 and 1.00
	39748	Coin Drop	Token; Jeton; CE models
	210195	Coin Drop Assembly	Euro; .20 and 1.00
	210196	Coin Drop Assembly	Euro; .50 and 1.00
	70283102	Coin Drop Assembly	Euro; .20 and .50
	70294111	Electronic Coin Drop Assembly	Euro; .10, .20, .50, 1.00 and 2.00
	38462P	Coin Drop Assembly	Token; 118-1
	38463	Coin Drop Assembly	Token; 118-5
	38464P	Coin Drop Assembly	Canada; .25
	200578P	Coin Drop Assembly	Canada; .25 and 1.00
	38472	Coin Drop Assembly	England; 20 pence and 1 pound
38521	Coin Drop Assembly	Korea; 100 and 500 won	
38963P	Coin Drop	Token; 118-16	
39157	Coin Drop Assembly	Israel; Shekel	
CK077	Coin Drop Kit	Taiwan; 10 NT	
70281102	Coin Drop Assembly	Taiwan; Dual drop	
44039701P	Coin Drop Assembly	USA; \$.25; DO, DV, DX and RD control suffixes	
44039702	Coin Drop Assembly	Mexico; 2 peso; DO, DV, DX and RD control suffixes	
44039703	Coin Drop Assembly	Token; .880; DO, DV, DX and RD control suffixes	
44039704	Coin Drop Assembly	Japan; 100 yen; DO, DV, DX and RD control suffixes	
44039705	Coin Drop Assembly	England; 20 pence; DO, DV, DX and RD control suffixes	
44039706	Coin Drop Assembly	Token; .800; DO, DV, DX and RD control suffixes	
44039707	Coin Drop Assembly	England; 50 pence; DO, DV, DX and RD control suffixes	
	N/A	Coin Drop Assembly	5 and 10 krone
4	200674P	Opto Coupler	
5	201595P	Wire Guard	

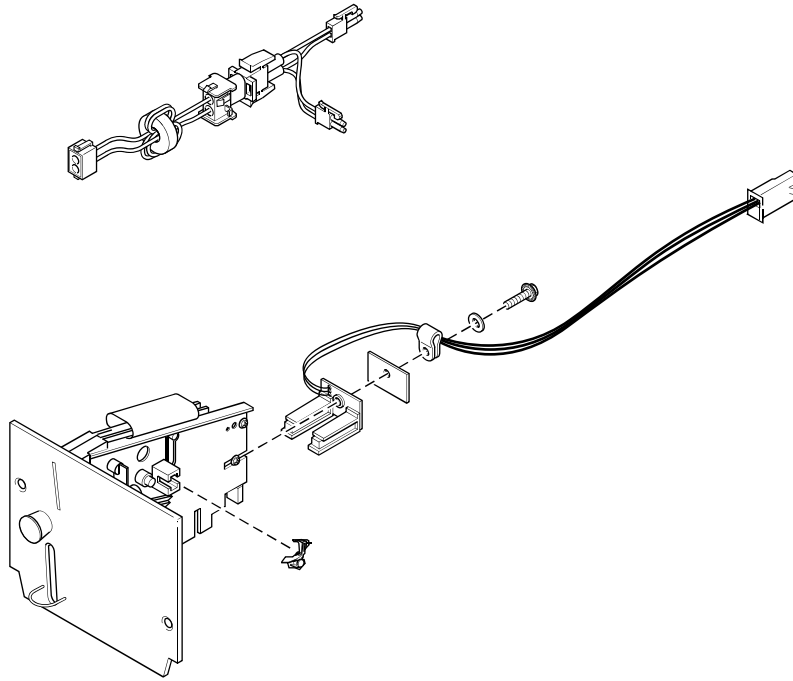
N/A = Part no longer available

Coin Drop Kits

Элп Общепит

vsezip.ru

+7(812)987-08-81



TMB2738PA_70421801

Coin Drop Kits

REF	PART NO.	DESCRIPTION	COMMENTS
	CK502	Electronic Coin Drop Kit	Includes 4-1035801 Electronic Coin Drop Harness and wiring diagram supplement
	CK095	Electronic Coin Drop Kit	USA (default), Canada, Japan and Taiwan; In addition to this kit, order CK502 Electronic Coin Drop Kit
	CK099	Electronic Coin Drop Kit	Australia (default), New Zealand, Hong Kong, South Korea and Malaysia; In addition to this kit, order CK502 Electronic Coin Drop Kit
	CK100	Electronic Coin Drop Kit	United Kingdom (default), and Europe; In addition to this kit, order CK502 Electronic Coin Drop Kit
	CK101	Electronic Coin Drop Kit	Euro (default), Denmark and Norway; In addition to this kit, order CK502 Electronic Coin Drop Kit
	CK103	Electronic Coin Drop Kit	Lithuania (default), Latvia and Europe; In addition to this kit, order CK502 Electronic Coin Drop Kit
	CK106	Electronic Coin Drop Kit	Malaysia (default), China, Russia and Singapore; In addition to this kit, order CK502 Electronic Coin Drop Kit
	CK108	Electronic Coin Drop Kit	South Africa; In addition to this kit, order CK502 Electronic Coin Drop Kit
	CK109	Electronic Coin Drop Kit	Euro; In addition to this kit, order CK502 Electronic Coin Drop Kit

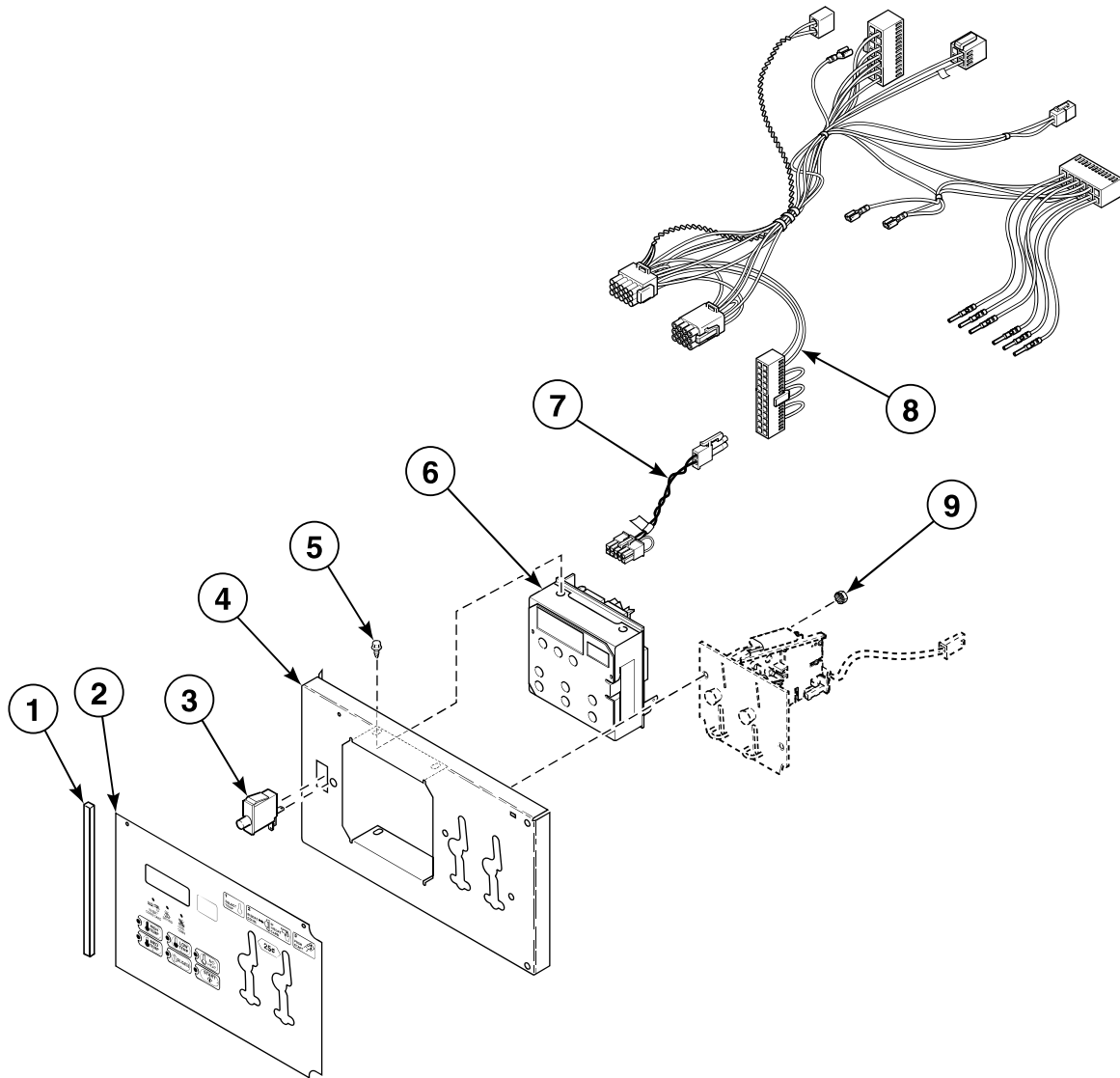
Coin Drop Components for Quantum Control

SA and ST Models

Models with LC, LX, WC and WX Control Suffixes

vsezip.ru

+7(812)987-08-81



TMB3038P_70421801

Coin Drop Components for Quantum Control

REF	PART NO.	DESCRIPTION	COMMENTS
1	70414101	Foam Gasket	
2	70410001	Control Overlay	Single drop
	70410002	Control Overlay	Dual drop
3	70107001	Pushbutton Switch	
4	70291001P	Control Plate Kit	
5	501524	Screw	4 required for mounting control
6	512858P	Control Kit	
7	70324604	Jumper Calibration Wire	
8	70410401P	Control Panel Harness	
9	29786	Nut	2 required

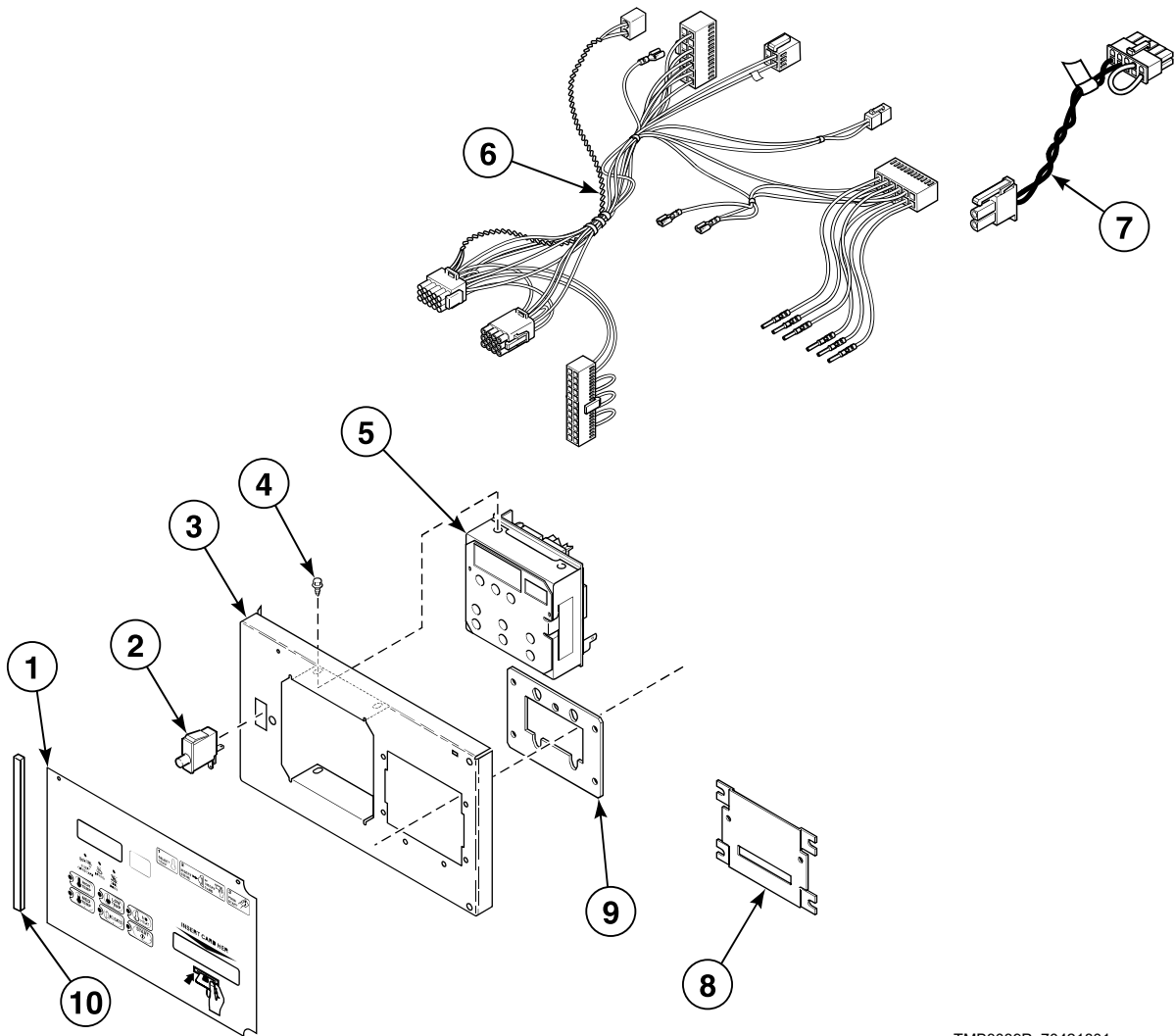
Card Reader Components for Quantum Control

SA and ST Models

Models with LY and WY Control Suffixes

vsezip.ru

+7(812)987-08-81



TMB3039P_70421801

Card Reader Components for Quantum Control

REF	PART NO.	DESCRIPTION	COMMENTS
1	70410003	Overlay	
2	70107001	Pushbutton Switch	
3	70348801	Control Plate Assembly	
4	501524	Screw	4 required
5	512858P	Control Kit	
6	70410401P	Control Panel Harness	
7	70324604	Jumper Calibration Wire	
8	44089501	Slot Card Plate Assembly	
9	70208801	Mounting Plate	
10	70414101	Foam Gasket	

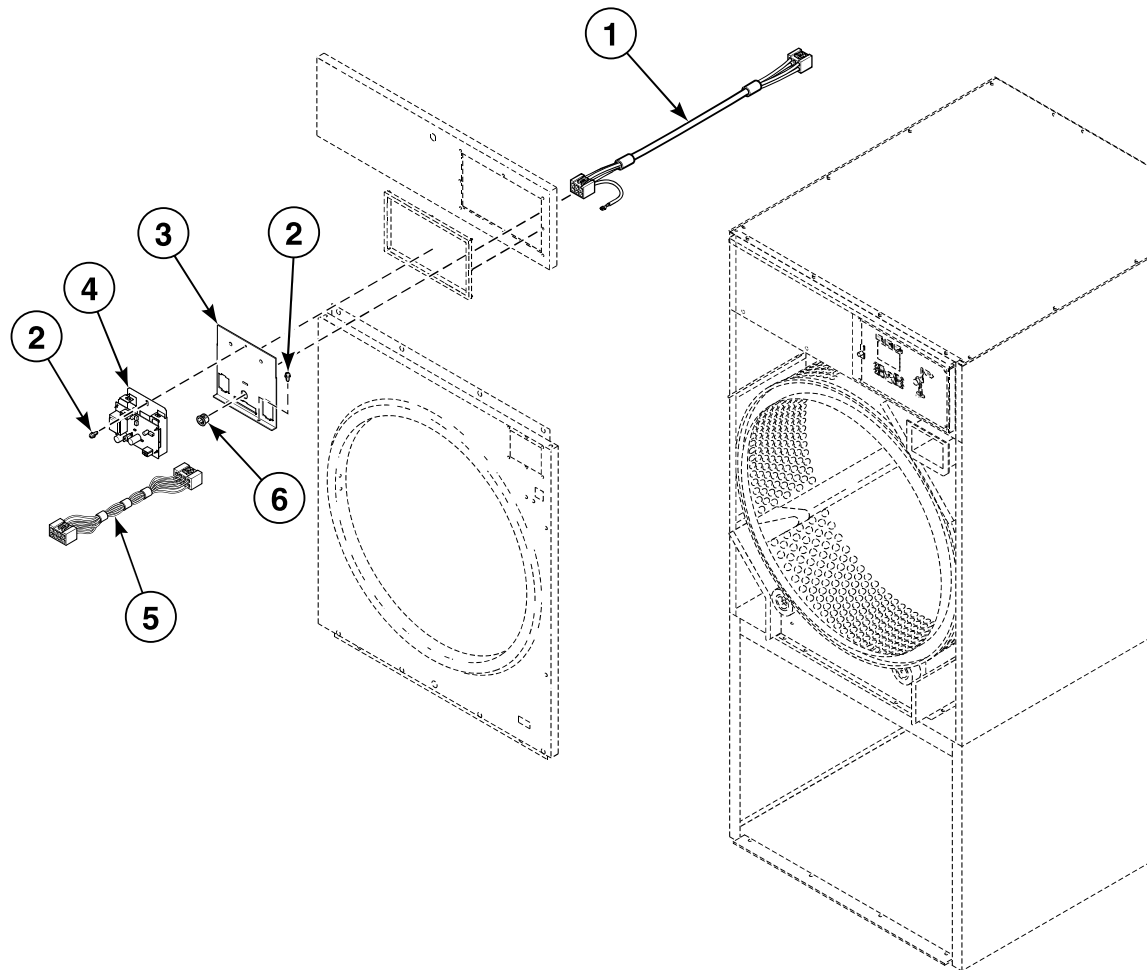
Network Board for Quantum Control

SA and ST Models

Models with WC, WX and WY Control Suffixes

vsezip.ru

+7(812)987-08-81



TMB2954P_70421801

Network Board for Quantum Control

REF	PART NO.	DESCRIPTION	COMMENTS
	800246	Communication Wire Harness Assembly	
1	44141801P	Network Harness	
2	430497	Screw	
3	70307002	Control Housing Cover	
4	201341	Network Board Assembly	
5	44088501P	Network Wire Harness Assembly	
6	M400770	Snap Bushing	

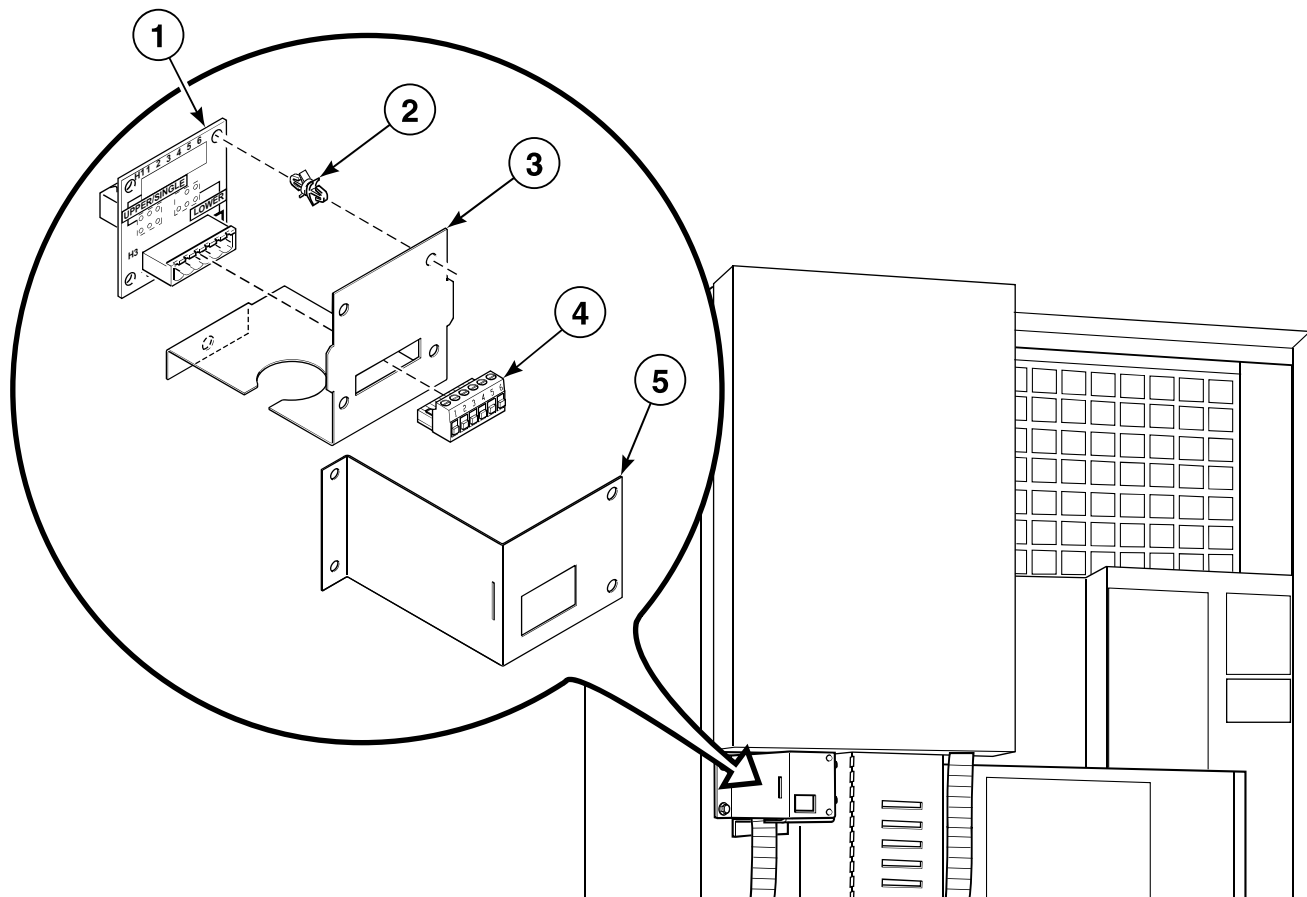
Network Connection for Quantum

SA and ST Models

Models with WC, WX and WY Control Suffixes

vsezip.ru

+7(812)987-08-81



TMB2955P_70421801

Network Connection for Quantum

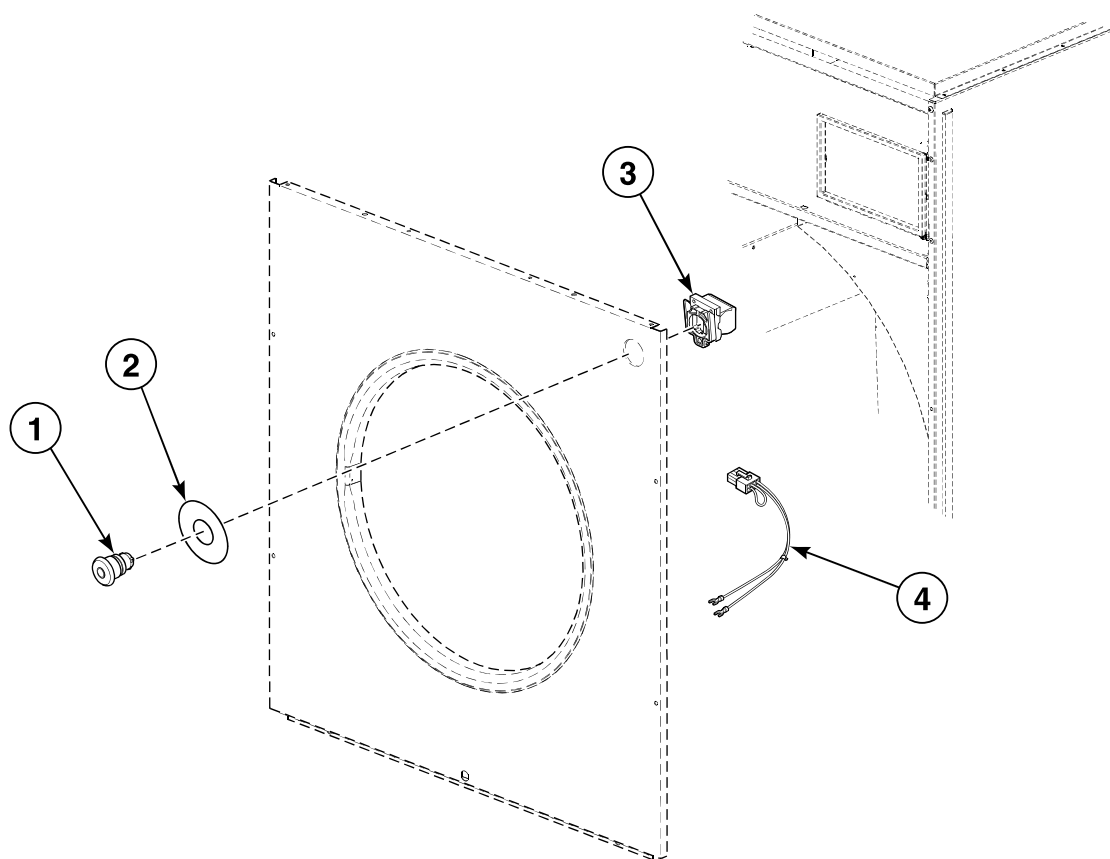
REF	PART NO.	DESCRIPTION	COMMENTS
	201341	Network Board Assembly	
1	210095P	Communication Board	
2	210098	PC Board Standoff	4 required
3	44143601	Network Board Bracket	
4	210099	Communication Connector	
5	44143701	Network Board Cover	

Emergency Stop Button - CE Models

ЭМП ОБЩЕПИИ

vsezip.ru

+7(812)987-08-81



TMB2386P_70421801

Emergency Stop Button - CE Models

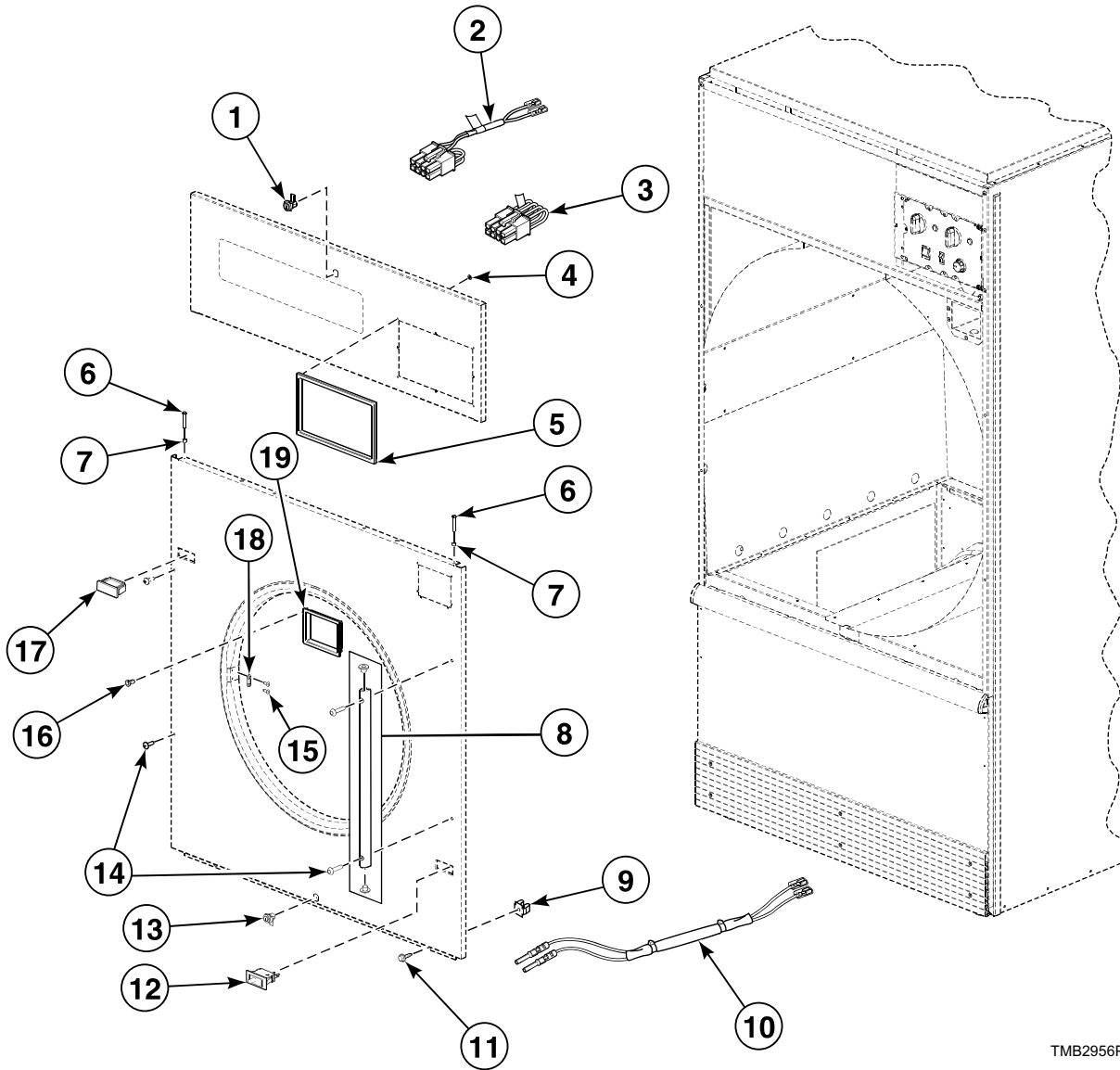
REF	PART NO.	DESCRIPTION	COMMENTS
1	F200233500	Emergency Stop Pushbutton	
2	M412235	Emergency Stop Label	
3	F200233401	Contact Block Switch	
	F8069501	Contact Switch	
4	70364105P	Emergency Stop Contact Harness	1 contact
	70364106P	Emergency Stop Harness	2 contacts

Cabinet Front Components

Вин общенит

vsezip.ru

+7(812)987-08-81



TMB2956P_70421801

Cabinet Front Components

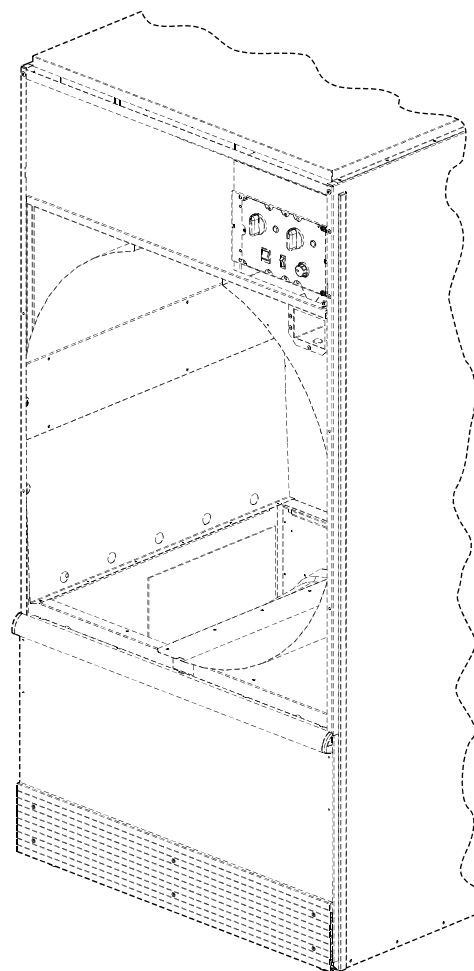
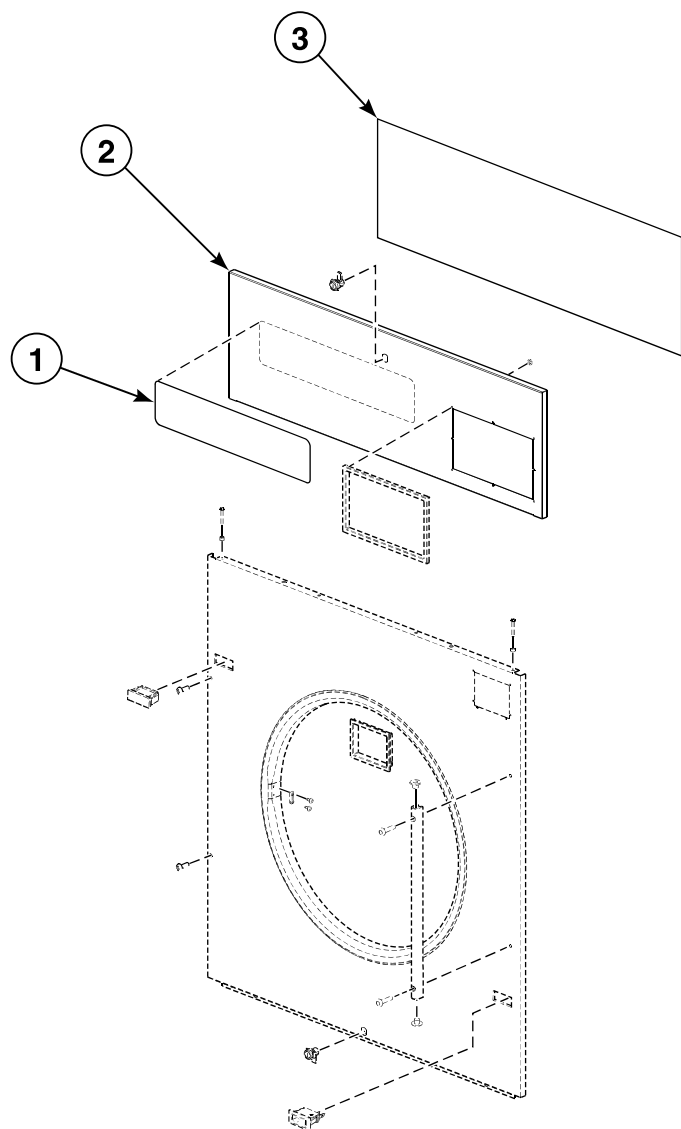
REF	PART NO.	DESCRIPTION	COMMENTS
	M4379P4	Tumbler Dolly Kit	
1	44089301P	Lock, Key and Nut Kit	RL001 key code; Control panel; Optional if same key is to be used for control lock
	70155601	Key	RL001
2	70364104P	Coin Vault Switch Harness	Coin; BC, BX, LC, LX, WC and WX control suffixes
3	70364103	Bypass Harness	OPL; 3O, 3V, 3X, BG, BL, BY, DO, DV, DX, LY, OM, QT, R3, RD, RM, RQ, SD, SX and WY control suffixes
4	M400977	Nut	8 required per control trim
5	44016301	Control Trim	H models
	44016401	Control Trim	G, K, L, P, S, U and Y models
6	70275801	Screw	4 required
7	56079	Panel Locator	2 required
8	44035001	Door Hinge Lug Assembly	
9	70030501	Expansion Clip	
10	44137601	Door Switch Harness	
11	M411072	Screw	4 required; Front panel; Bottom
12	70107001	Pushbutton Switch	Door switch
13	44089301P	Lock, Key and Nut Kit	RL001 key code; Lint panel; Optional if same key is to be used for control lock
	70155601	Key	RL001
	44089302P	Lock, Key and Nut Kit	RL002 key code; Lint panel; Standard coin and card models
	70155602	Key	RL002
14	70033502	Screw	4 required for painted panels; 2 required for stainless steel panels in addition to 2 of 70182601 Screw
	70182601	Screw	2 required for stainless steel panels in addition to 2 of 70033502 Screw
15	M400003	Pop Rivet	2 per door latch
16	M400972	Shadow Box Clip	6 required
17	44057801W	Switch Hole Plug	White
	44057801Q	Switch Hole Plug	Bisque
	44057801B	Switch Hole Plug	Black; For stainless steel and turquoise models
18	M401223	Door Latch	2 required
19	70117501	Coin Vault Trim	H models; Gray
	70117502	Coin Vault Trim	G, K, L, P, S, U and Y models; Black

Cabinet Panels and Nameplates

Вит Общени

vsezip.ru

+7(812)987-08-81



TMB2554P_70421801

Cabinet Panels and Nameplates

REF	PART NO.	DESCRIPTION	COMMENTS
1	44010401	Nameplate	F models
	44010601	Nameplate	S models
	M412963	Nameplate Overlay	U models
	44046801	Nameplate	D and I models
	44062901	Nameplate	C models
	70380701	Nameplate Overlay	P models
	70243901	Nameplate	L models
	70410201	Nameplate Overlay	G models
	44130301	Nameplate Overlay	K models
	70304501	Nameplate Overlay	Y models
2	44040001*P	Control Panel	D and I models with 3O, 3V, 3X and R3 control suffixes; Manual
	44040002	Control Panel	D and I models with 3O, 3V, 3X and R3 control suffixes; Manual; Stainless steel
	44040003*	Control Panel	D and I models with DO, DV and RD control suffixes; Electronic
	44040004	Control Panel	D and I models with DO, DV and RD control suffixes; Electronic; Stainless steel
	44000117*P	Control Panel	All other models
	44000118P	Control Panel	All other models; Stainless steel
3	44020601	Insulation	Used inside access panel

* Add Letter To Designate Color. Q - Bisque W - White

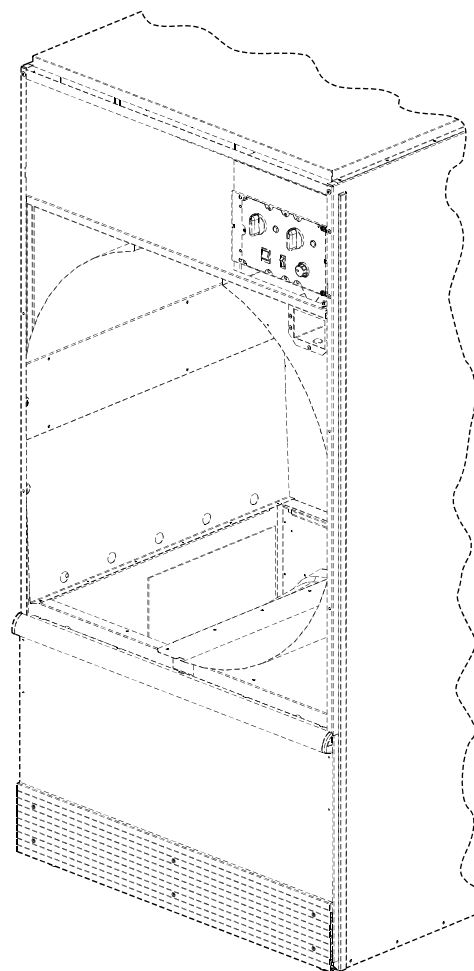
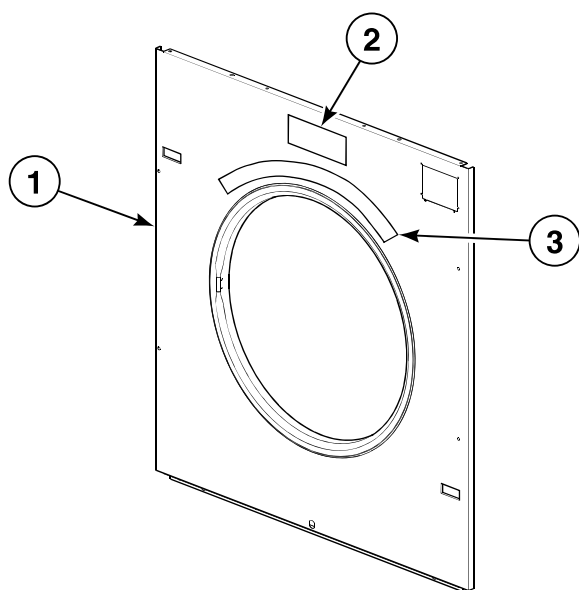
NOTE: All front panel assemblies include M401223 Door Latch and 2 of M400003 Pop Rivet

Front Panel Assemblies

Элл Общепит

vsezip.ru

+7(812)987-08-81



TMB2944P_70421801

Front Panel Assemblies

REF	PART NO.	DESCRIPTION	COMMENTS
1	44077901*P	Front Panel Assembly	BC, BX, LC, LX, SD, SX, WC and WX control suffixes
	44077902P	Front Panel Assembly	BC, BX, LC, LX, SD, SX, WC and WX control suffixes; Stainless steel
	44077903*	Front Panel Assembly	BL, BY and WY control suffixes
	44077904P	Front Panel Assembly	BL, BY and WY control suffixes; Stainless steel
	44077905*P	Front Panel Assembly	Non-CE models; OM, QT, RM and RQ control suffixes
	44077906P	Front Panel Assembly	Non-CE models; OM, QT, RM and RQ control suffixes; Stainless steel
	44077907*P	Front Panel Assembly	CE models; 3O, OM, QT, R3, RM and RQ control suffixes
	44077908	Front Panel Assembly	CE models; 3O, OM, QT, R3, RM and RQ control suffixes; Stainless steel
2	44128901	Fire Suppression System Label	G and K models
3	M410892	Warning Label	

* Add Letter To Designate Color. Q - Bisque W - White

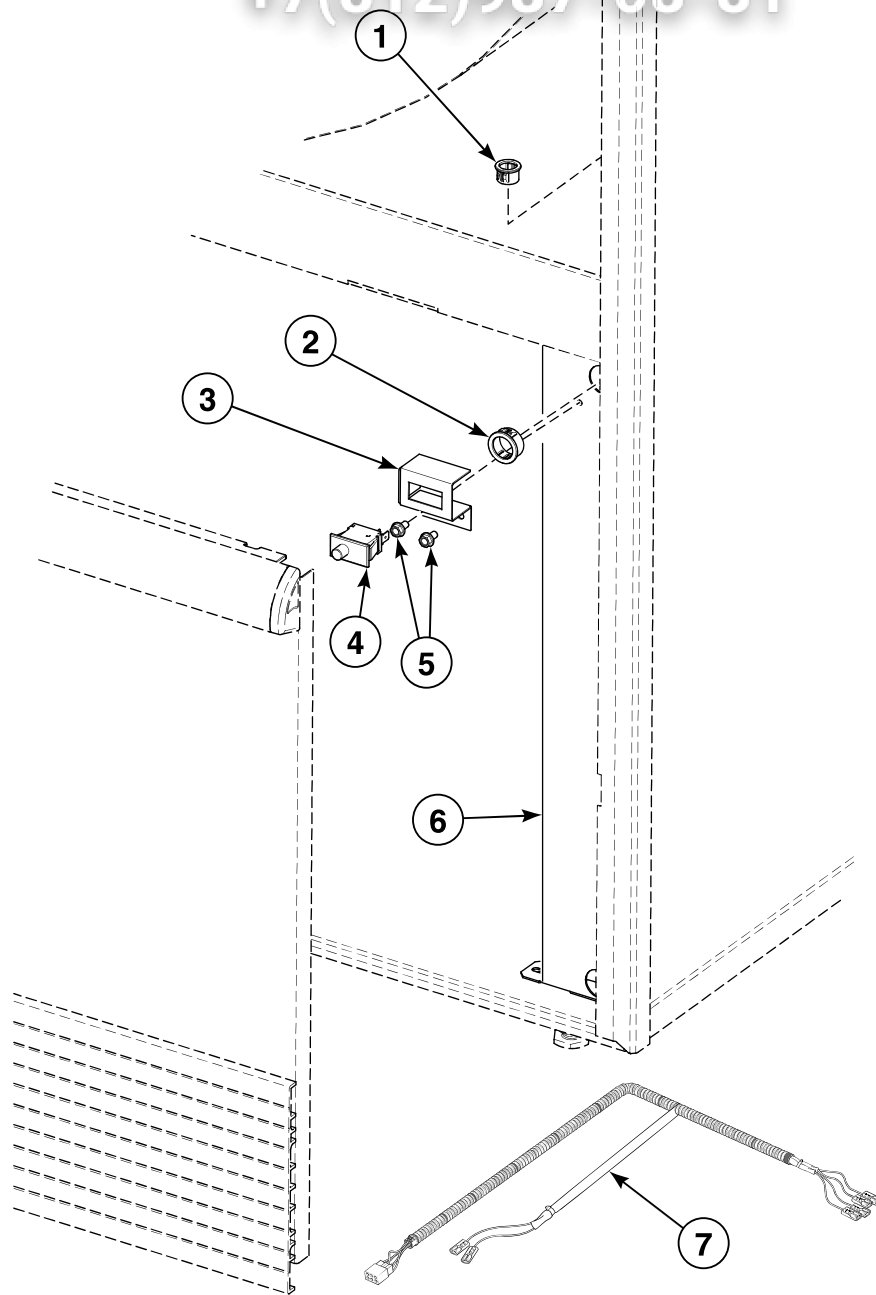
NOTE: All front panel assemblies include M401223 Door Latch and 2 of M400003 Pop Rivet

Lint Panel Switch Assembly

Эл. Общ. Связи

vsezip.ru

+7(812)987-08-81



TMB2945P_70421801

Lint Panel Switch Assembly

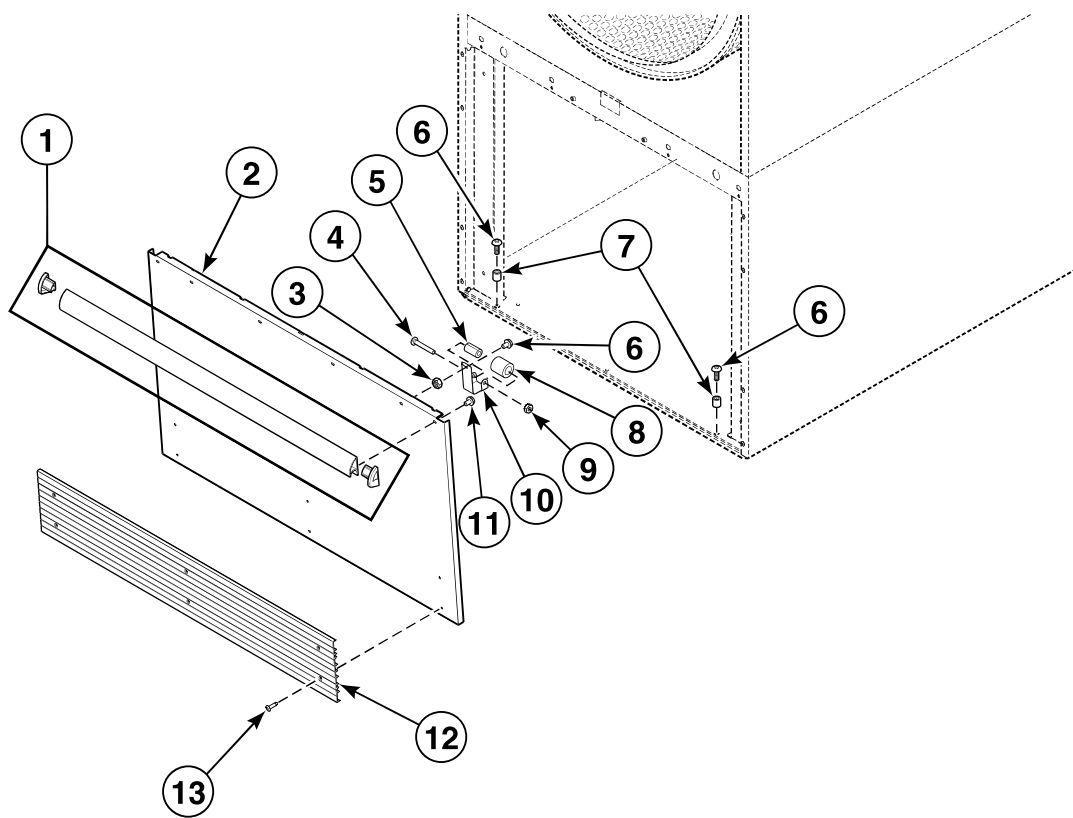
REF	PART NO.	DESCRIPTION	COMMENTS
1	M411826	Snap Bushing	
2	M400770	Snap Bushing	
3	44118601	Lint Panel Switch Bracket	
4	70107001	Pushbutton Switch	
5	430497	Screw	
6	44001201	Front Pillar	
7	44137501P	Base Harness Assembly	

Lower Cabinet Front Components

Вип Общени

vsezip.ru

+7(812)987-08-81



TMB2057P_70421801

Lower Cabinet Front Components

REF	PART NO.	DESCRIPTION	COMMENTS
1	70154405	Handle and Caps Assembly	C, D, J, L, P, S, U and Y models; Black; Includes endcaps
	70154406	Handle and Caps Assembly	H models; Gray; Includes endcaps
	70407202	Handle Bumper	G and K models; Black and blue; Does not include endcaps
2	44000001*P	Lint Panel	
	44000002P	Lint Panel	Stainless steel
3	51236	Nut	
4	70072801	Screw	
5	70030201	Roller Catch Spacer	
6	70132301	Screw	
7	56079	Panel Locator	
8	70297601	Roller Catch Wheel	
9	23951	Nut	
10	70030301	Roller Catch Arm	
11	430757	Screw	4 required
12	70117608	Kickplate	H models; Gray
	70117607	Kickplate	All other models; Black
13	70126401	Pop Rivet	H models; Gray; 6 required
	70126301	Pop Rivet	All other models; Black; 6 required

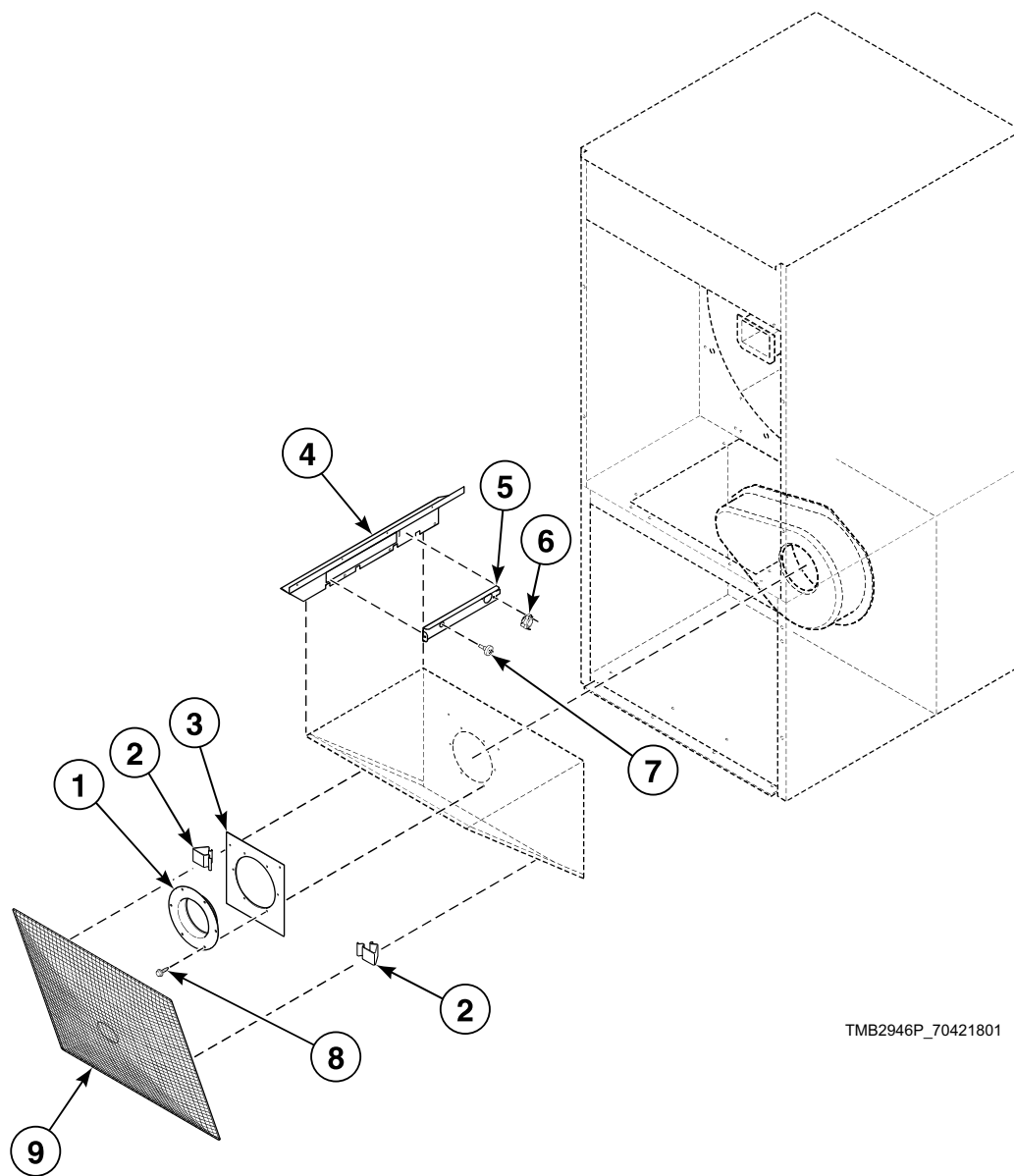
* Add Letter To Designate Color. Q - Bisque W - White

Cabinet Limit and Thermistor Assembly

Элп Общепит

vsezip.ru

+7(812)987-08-81



TMB2946P_70421801

Cabinet Limit and Thermistor Assembly

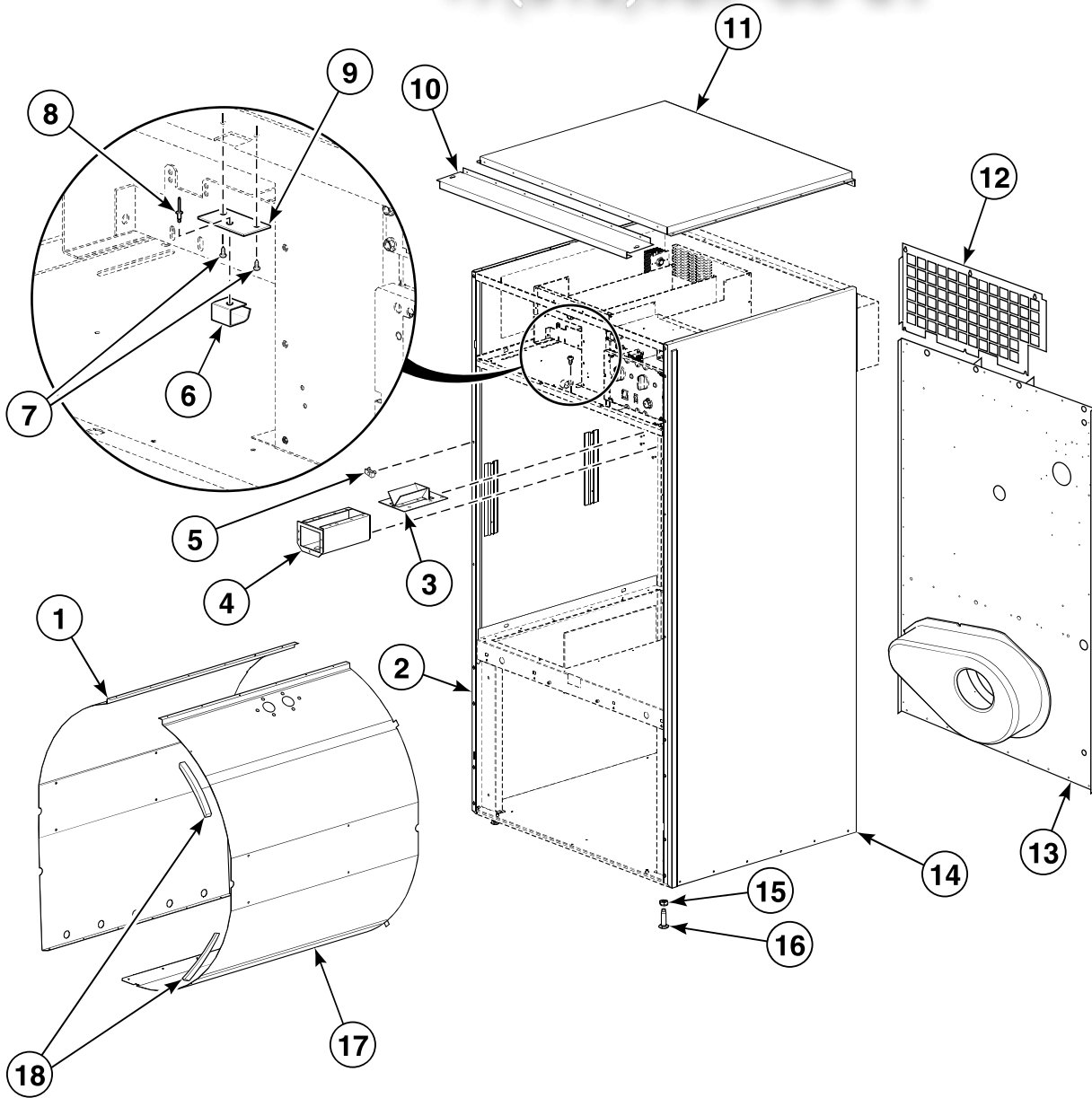
REF	PART NO.	DESCRIPTION	COMMENTS
1	70014101	Blower Inlet Cone	Gas and steam 60 Hertz; Electric 60 Hertz/3 Phase
2	35865	Hold-Down Clip	2 required
3	44150201	Cone Plate	Gas and steam 60 Hertz; Electric 60 Hertz/3 Phase
4	44162201	Lint Screen Deflector	
5	44162301	Deflector Cover	
6	M411813	Limit Thermostat	Electric models
	M410542	Limit Thermostat	Non-CE and non-Australian gas models and all steam models
	M411941	Manual Reset Thermostat	CE and Australian gas models
7	M414704	Thermistor	
8	430497	Screw	Gas and steam 60 Hertz; Electric 60 Hertz/3 Phase; 6 required
9	44063601	Lint Screen	

Cabinet Components

Всёобщепит

vsezip.ru

+7(812)987-08-81



TMB2947P_70421801

Cabinet Components

REF	PART NO.	DESCRIPTION	COMMENTS
	298P4P	Spray Paint	White
	122P4P	Porcelain Touch-Up Paint	White
	370P4P	Porcelain Touch-Up Paint	Bisque
1	44005201	Baffle	Left
2	44056801*	Side Panel and Bracket Assembly	Left
3	70296401	Coin Chute Assembly	Wide; Includes 6 of 70058502 Pop Rivet
4	70180101	Coin Vault Assembly	Includes 5 of 70058502 Pop Rivet
5	70030401	Nut	U-clip
6	431318	Control Door Latch	
7	431287	Screw	
8	M400003	Pop Rivet	
9	44003201	Latch Mounting Bracket	
10	44129401	Top Panel Bracket	Gas and electric models
11	44135001P	Top Cover Pan	Gas and electric models
	44139301	Top Cover	Steam models
12	44176201	Top Rear Panel	Gas and steam models
	44170501	Top Rear Panel	Electric models
13	44170401	Rear Panel Assembly	
	44171101	Rear Panel Assembly	Bolt on angle option
14	44056701*	Side Panel	Right
15	21899	Nut	Right
16	70247701	Screw	Leveling leg
17	44004901	Baffle	Right
	44065501	Baffle	Right; Models equipped with fire suppression system
18	70015701	Baffle Gasket	

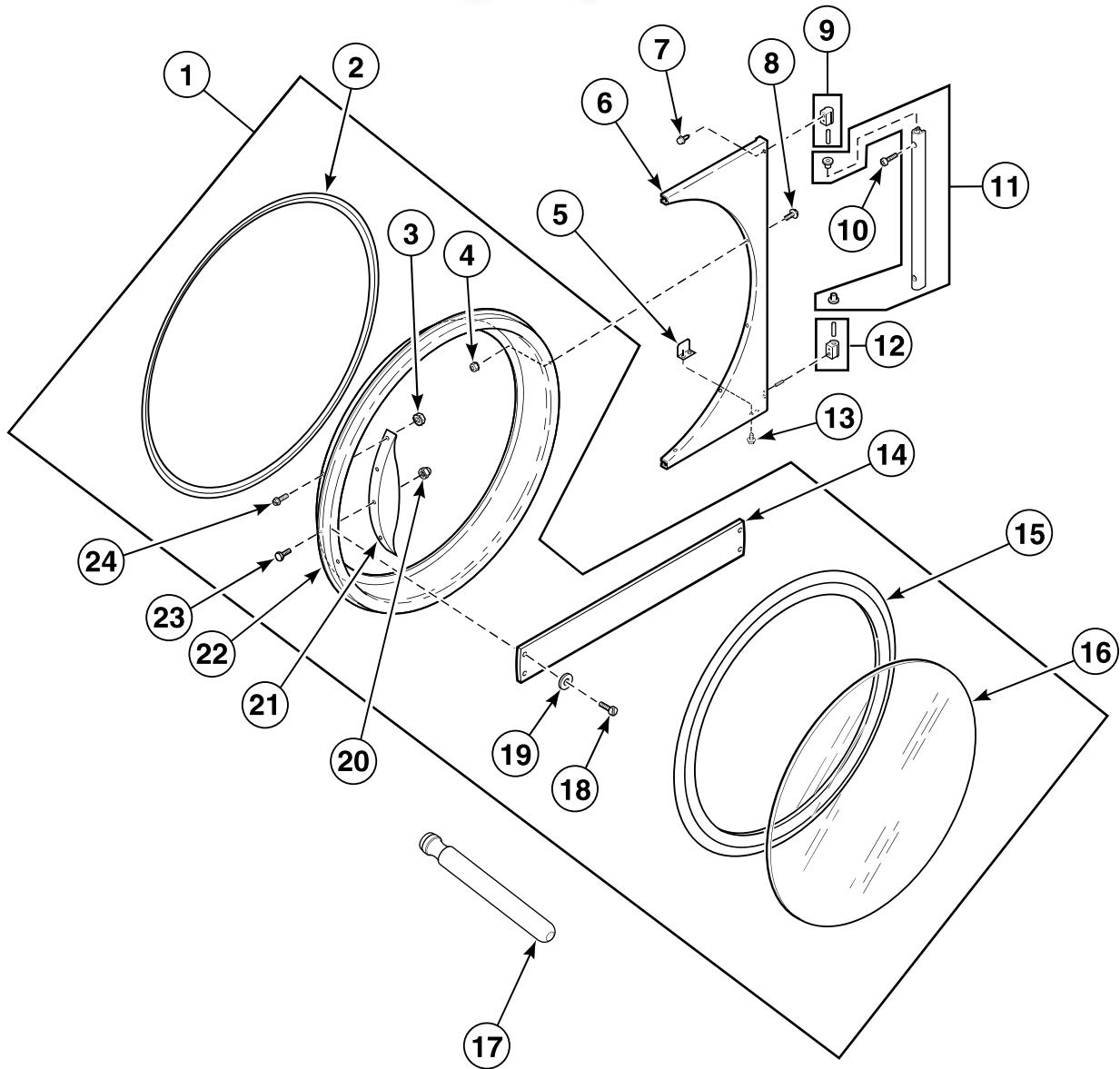
* Add Letter To Designate Color. Q - Bisque W - White

Door and Hinge Components

Эл. Общ. Эл.

vsezip.ru

+7(812)987-08-81



TMB2695P_70421801

Door and Hinge Components

REF	PART NO.	DESCRIPTION	COMMENTS
1	44058102P	Door Assembly	H models
	44028902P	Door Assembly	S and U models
	44112101	Door Assembly	C, D and I models
	44029101	Door Assembly	L and P models
	70407401	Door Assembly	G and K models
2	44008201P	Door Ring Gasket	
3	44071201	Nut	H, S and U models; 4 required
4	23951	Nut	6 required
5	70215001P	Door Switch Actuator Kit	
6	44075208B	Door Hinge Assembly	G and K models
	44075203*	Door Hinge Assembly	All other models
	44075204	Door Hinge Assembly	All other models; Stainless steel
7	70442101	Screw	3 required
8	M400044	Screw	6 required
9	70436102	Door Hinge Cam Assembly	G and K models; Upper
	70436101	Door Hinge Cam Assembly	All other models; Upper
10	70409801	Screw	G and K models; 2 required
	70033502	Screw	All other models; 2 required
11	44035002	Door Hinge Lug Assembly	G and K models
	44035001	Door Hinge Lug Assembly	All other models; Includes bushings
12	70436202	Door Hinge Cam Assembly	G and K models; Lower
	70436201	Door Hinge Cam Assembly	All other models; Lower
13	70058501	Pop Rivet	2 required
14	70399501B	Handle Bar	G and K models
15	70211902P	Door Seal Kit	
16	44008402P	Door Glass	H models
	44008401P	Door Glass	All other models
17	M4221P4	Door Glass Installation Tool	
18	70126301	Pop Rivet	G and K models; 4 required
19	70409301	Washer	G and K models; 2 required
20	M414215	Nut	
21	44057702	Door Handle	H models
	44007901	Door Handle	S and U models
22	44007702	Door Ring Assembly	H, L, P, S and U models
	44112001	Door Ring and Handle Assembly	C, D and I models
	44007703B	Door Ring	G and K models
23	M400661	Screw	Door strike
24	61199	Screw	H, S and U models; 4 required

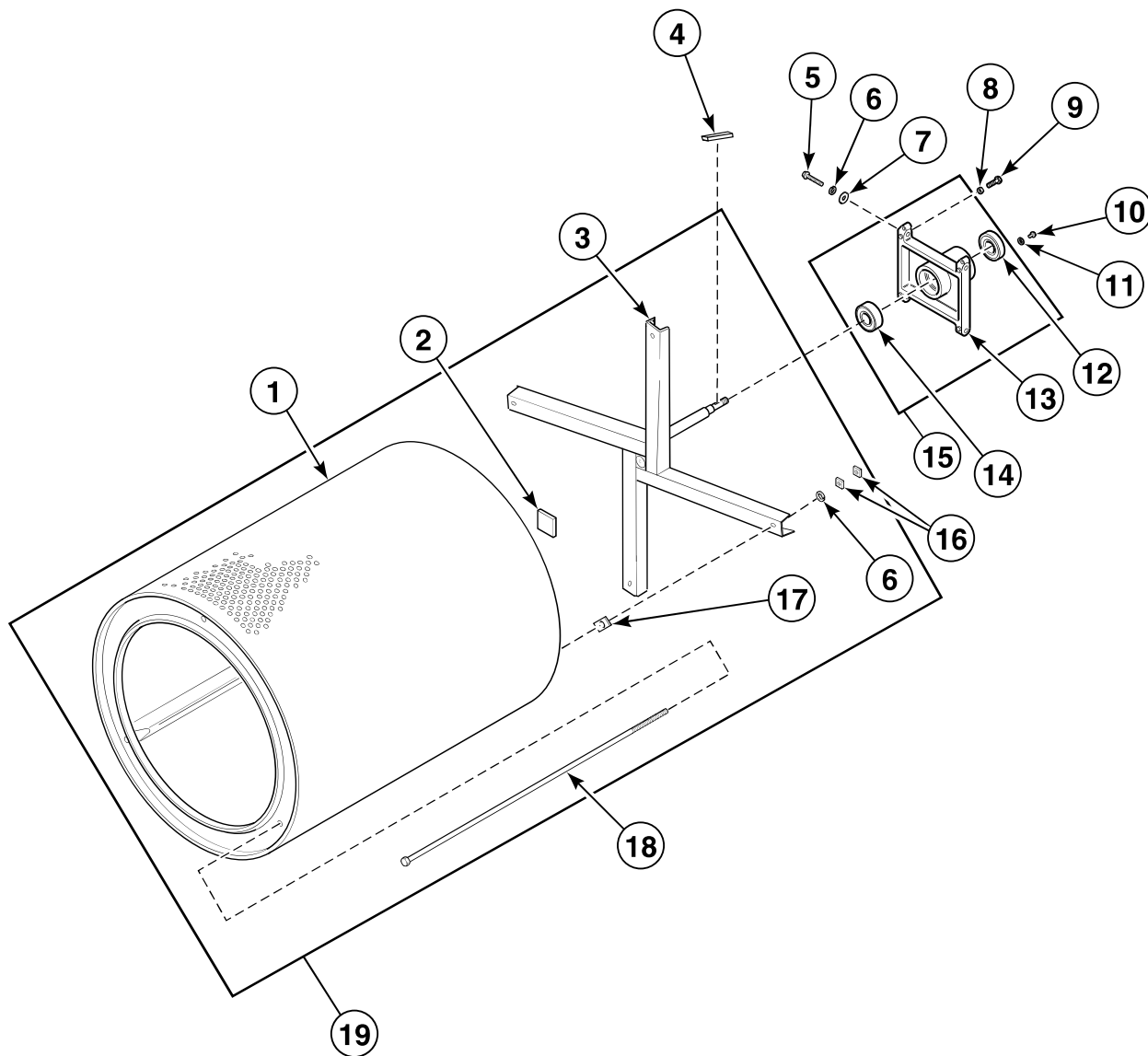
* Add Letter To Designate Color. L - Almond Q - Bisque W - White

Cylinder, Trunnion and Bearing Components

Вит Общепит

vsezip.ru

+7(812)987-08-81



TMB2123P_70421801

Cylinder, Trunnion and Bearing Components

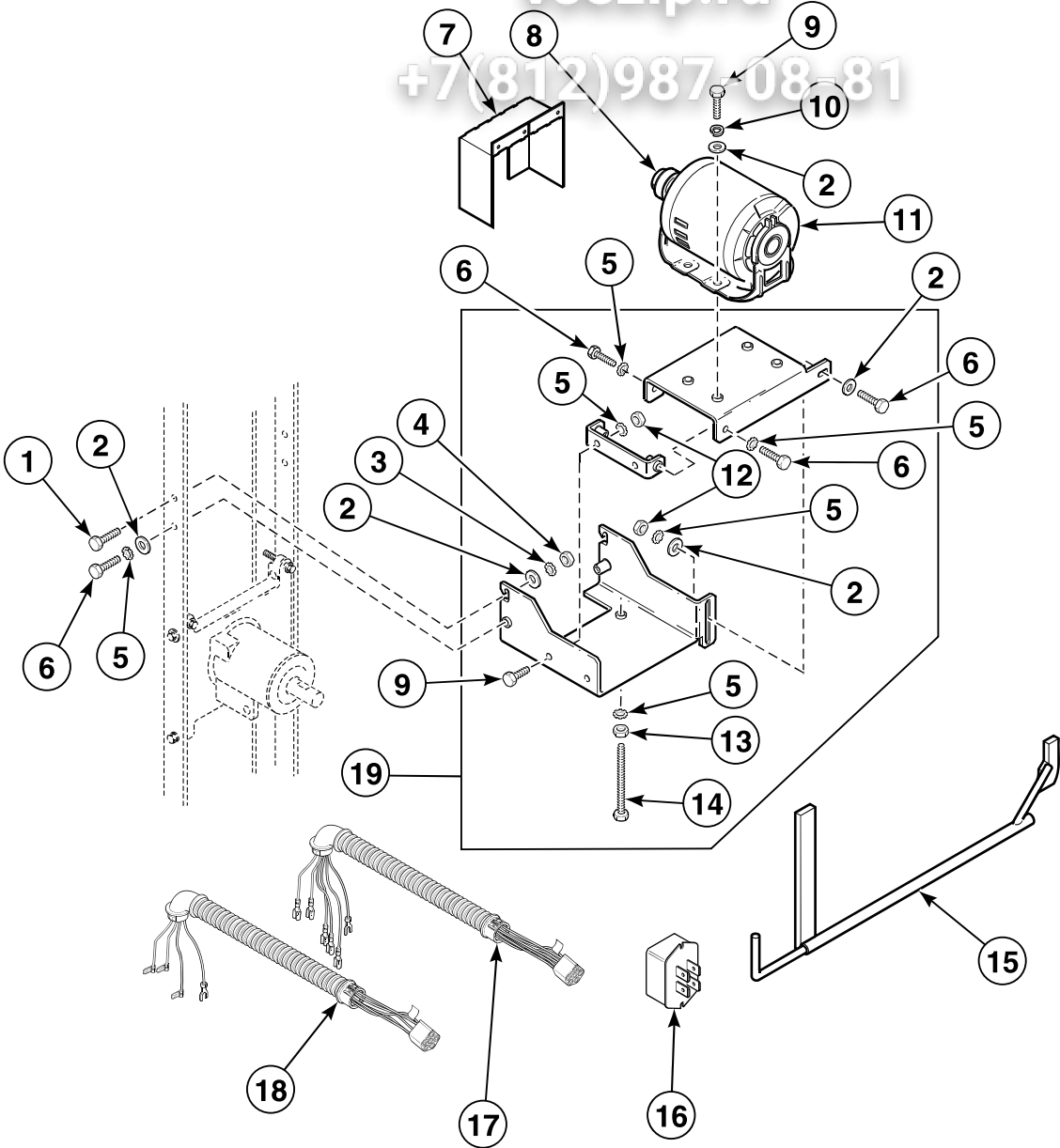
REF	PART NO.	DESCRIPTION	COMMENTS
	M4640P3	Trunnion and Bearing Assembly	Nonreversing
	M4641P3	Trunnion and Bearing Assembly	Reversing
	M4644P3	Housing and Trunnion Assembly	Includes bearing; Nonreversing
	M4645P3	Housing and Trunnion Assembly	Includes bearing; Reversing
1	44057001P	Cylinder Kit	Galvanized; C, D, H, I, L, P, S and U models
	44057101P	Cylinder Kit	Stainless steel; C, D, H, I, L, P, S and U models
	44130801	Cylinder Assembly	G and K models
	44089001	Cylinder Assembly	Stainless steel; U models with the 11th character of R
2	M402144	Felt Pad	
3	M413835P	Trunnion Kit	Spider; Nonreversing
	M413836	Trunnion Assembly	Spider; Reversing
4	M400008	Key	Half moon; Nonreversing
	M405232	Key	Straight; Reversing
5	M400063	Screw	4 required
6	91200	Washer	4 required
7	Q6712	Washer	4 required
8	M400026	Nut	4 required
9	M400650	Bolt	2 required
10	70187201	Screw	4 required
11	20103	Washer	4 required
12	F100136P	Bearing	
13	M413826	Trunnion Housing	
14	44041901P	Ball Bearing	
15	M413832	Trunnion Housing Assembly	Includes bearing
16	M404993	Nut	
17	M401402	Spacer	Adjustment between cylinder and trunnion
18	M401411	Rib Rod	
19	44057401P	Cylinder and Trunnion Assembly	Galvanized; Nonreversing; C, D, H, I, L, P, S and U models
	44057402P	Cylinder and Trunnion Assembly	Stainless steel; Nonreversing; C, D, H, I, L, P, S and U models
	44057403	Cylinder and Trunnion Assembly	Galvanized; Reversing; C, D, H, I, L, P, S and U models
	44057404	Cylinder and Trunnion Assembly	Stainless steel; Reversing; C, D, H, I, L, P, S and U models
	44131002	Cylinder and Trunnion Assembly	Reversing; G and K models
	44131102	Cylinder and Trunnion Assembly	Nonreversing; G and K models
	44089101	Cylinder and Trunnion Assembly	Stainless steel; U models with the 11th character of R

Reversing Cylinder Drive Motor and Components

Эл. Общепит

vsezip.ru

+7(812)987-08-81



TMB2948P_70421801

Reversing Cylinder Drive Motor and Components

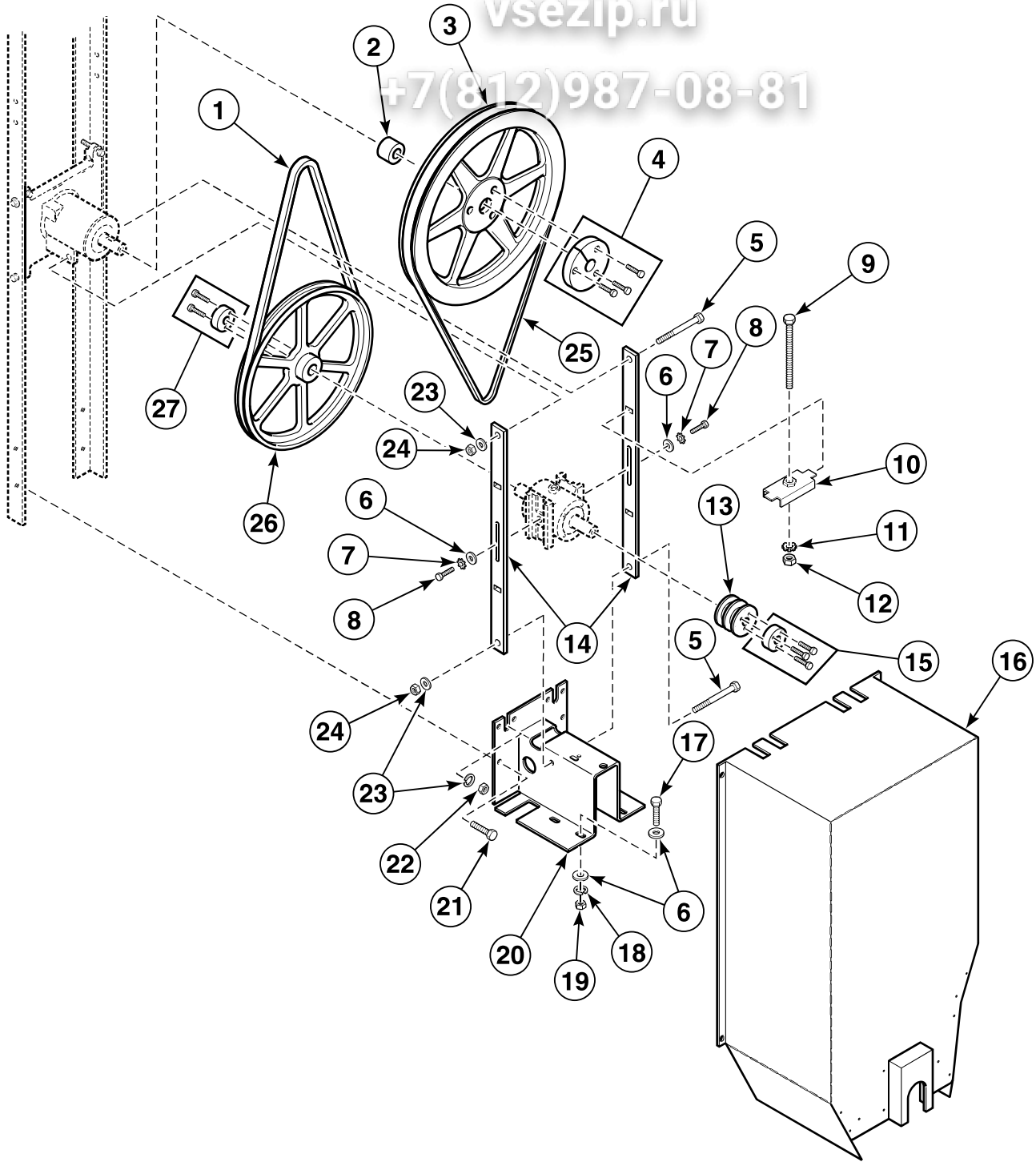
REF	PART NO.	DESCRIPTION	COMMENTS
1	22688	Screw	2 required
2	M400080	Washer	8 required
3	M403958	Washer	2 required
4	20274	Nut	2 required
5	02834	Washer	8 required
6	M400056	Screw	5 required
7	M413541	Belt Guard	Upper
8	M414565	Pulley	60 Hertz
	M414567	Pulley	50 Hertz
9	M400057	Screw	6 required
10	M400013	Washer	4 required
11	M412519P	Motor Kit	Gas and steam models with: 200-208 or 240 Volt/60 Hertz/3 Phase, 460-480 Volt/60 Hertz/3 Phase, 200 Volt/50 Hertz/3 Phase, 230 or 240 Volt/50 Hertz/3 Phase and 380 or 400-415 Volt/50 Hertz/3 Phase; Electric models with: 200-208 Volt/60 Hertz/3 Phase, 240 Volt/50 or 60 Hertz/3 Phase, 480 Volt/60 Hertz/3 Phase, 200 Volt/50 Hertz/3 Phase, 380 Volt/50 Hertz/3 Phase and 400-415/50 Hertz/3 Phase
	M412520P	Motor Kit	Gas and steam models with: 230-240 Volt/50 Hertz/1 Phase; Electric models with: 240 Volt/50 Hertz/1 Phase
12	70142	Nut	3 required
13	02428	Nut	
14	M413565	Screw	
15	M4853P3	Belt Tension Tool Kit	
16	M414563	Motor Switch	1 Phase
17	44139701P	Cylinder Motor Harness	1 Phase
18	44137101P	Cylinder Motor Harness	3 Phase
19	M413617	Motor Mount Assembly	Includes items 2-6, 9 and 12-14

Drive Components for Reversing Models

Эл. Общ. Эл.

vsezip.ru

+7(812)987-08-81

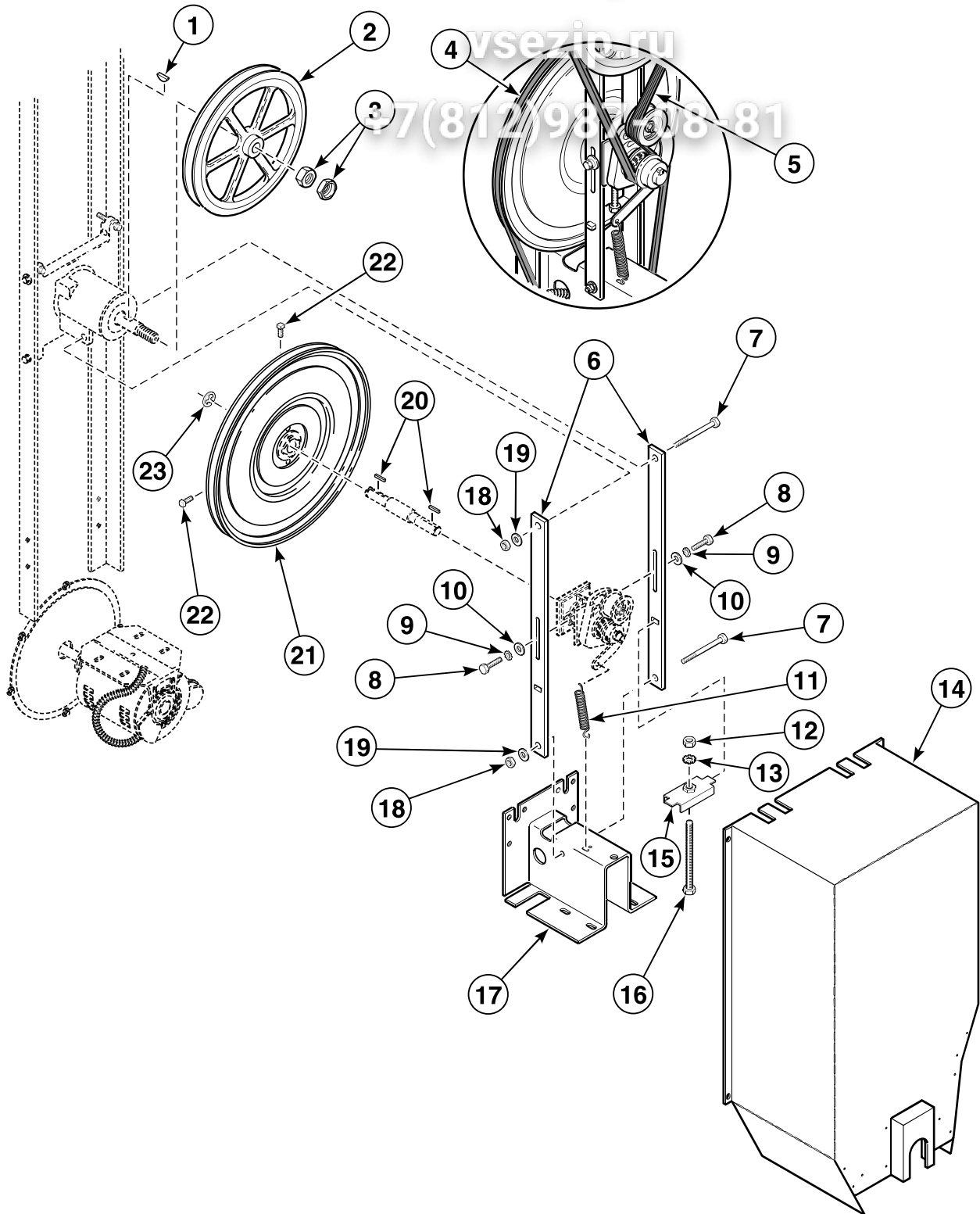


TMB2529P_70421801

Drive Components for Reversing Models

REF	PART NO.	DESCRIPTION	COMMENTS
	M4853P3	Belt Tension Tool Kit	
1	M412981	Belt	Drive
2	44024001	Spacer	
3	M412916	Double V Sheave	
4	M412086P	Bushing	Includes M400013 Washer, 44048902 Screw and 44079203 Screw
5	M400061	Screw	
6	M400080	Washer	
7	M403958	Washer	2 required
8	M400043	Screw	
9	M412627	Screw	
10	M414405	Tension Plate Assembly	
11	M412188	Washer	
12	H88412101	Nut	
13	M412884	Pulley	
14	M412476	Guide Rail	
15	M412917P	Bushing	Includes 56552 Washer, 44048901 Screw and 44079301 Screw
16	44132402	Belt Guard Assembly	
17	M400057	Screw	
18	M400013	Washer	4 required
19	02428	Nut	4 required
20	44117201	Motor Bracket	
21	M401393	Bolt	2 required
22	20274	Nut	
23	M400014	Washer	
24	M400026	Nut	2 required
25	M412090	Belt	2 required; Cylinder
26	M412931	Single V Sheave	
27	M412885P	Bushing	Includes 03189 Washer and 44079201 Screw

Drive Components for Nonreversing Models



TMB2560P_70421801

Drive Components for Nonreversing Models

REF	PART NO.	DESCRIPTION	COMMENTS
	M4853P3	Belt Tension Tool Kit	
1	M400008	Key	
2	M412156	Micro V Sheave	
3	M400035	Nut	
4	M401182P	Belt	
5	M411425P	Micro V Belt	
6	M412476	Guide Rail	
7	M400061	Screw	
8	M400043	Screw	
9	M403958	Washer	
10	M400080	Washer	
11	M412120	Extension Spring	
12	H88412101	Nut	
13	M412188	Washer	
14	44132401	Belt Guard Assembly	
15	M414405	Tension Plate Assembly	
16	M412627	Screw	
17	44117201	Motor Bracket	
18	M400026	Nut	
19	M400014	Washer	
20	M401327	Key	
21	44086901P	Sheave Kit	Includes item 20 and 2 of item 22
22	M400065	Screw	
23	M400399	Ring	

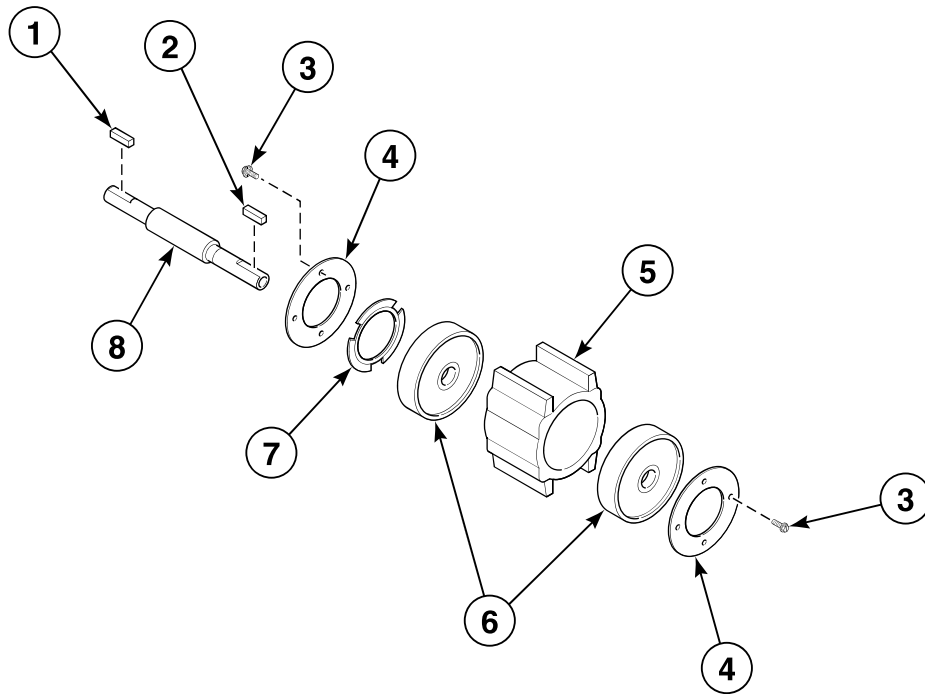
NOTE: On nonreversing models, there is only one motor that functions as the drive motor and fan motor. Refer to *Fan Motors* section for motor part numbers.

Idler Housing Assembly for Reversing Models

Всёобщение

vsezip.ru

+7(812)987-08-81



TMB2160P_70421801

Idler Housing Assembly for Reversing Models

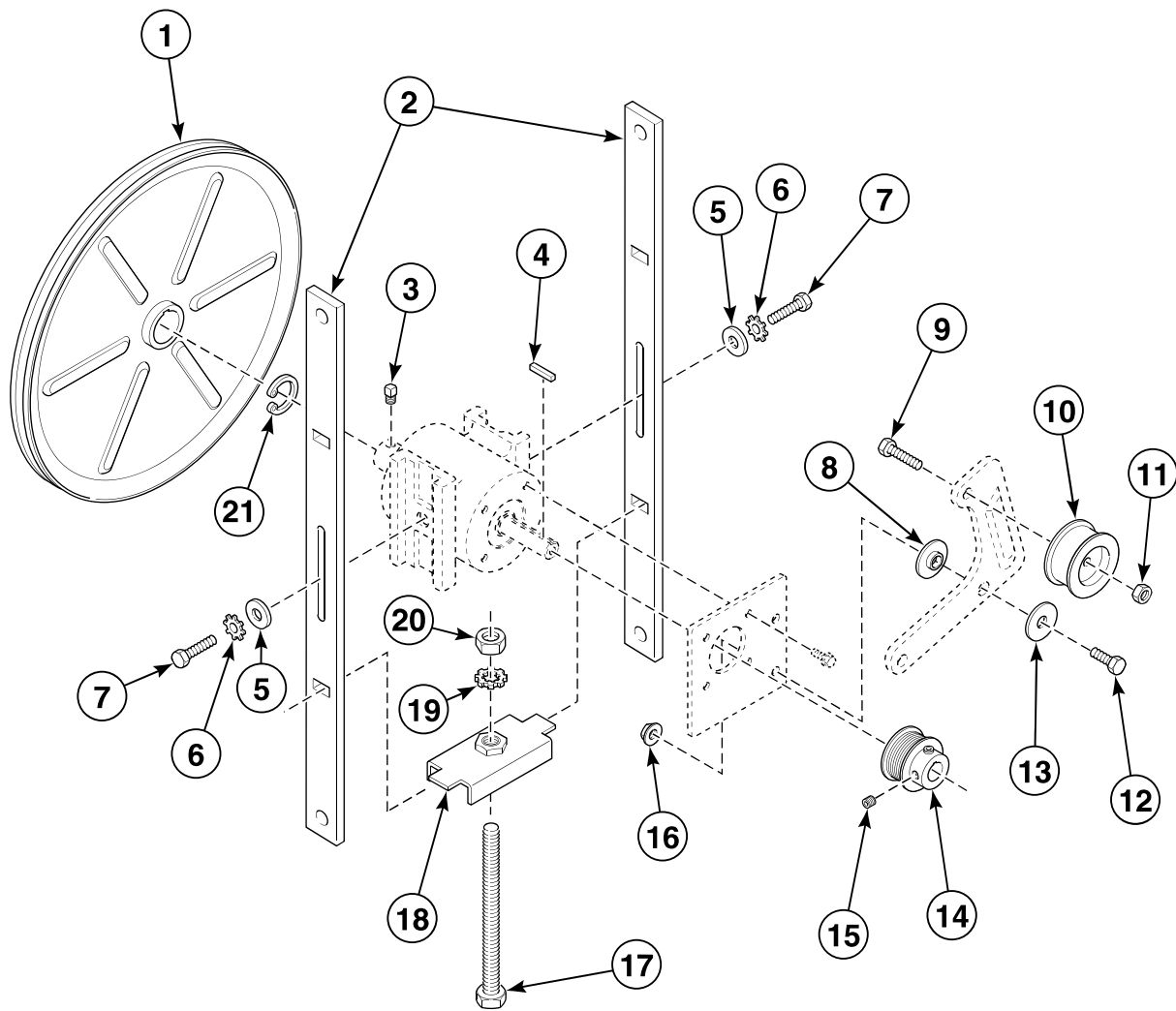
REF	PART NO.	DESCRIPTION	COMMENTS
	917P3	Idler Housing Kit	Includes items 1-4, 7 and M412476 Guide Rail, M412630 Idler Housing Assembly and 614P3 Idler Assembly Components Kit
1	M401327	Key	
2	M400993	Key	
3	70187201	Screw	8 required
4	M401370	Bearing Retainer	
5	M412612	Idler Housing	
6	M401375P	Ball Bearing	
7	M400401	Loading Spring	
8	M414241	Idler Shaft	

Idler Assembly for Nonreversing Models

Всёzip.ru

vsezip.ru

+7(812)987-08-81



TMB2791P_70421801

Idler Assembly for Nonreversing Models

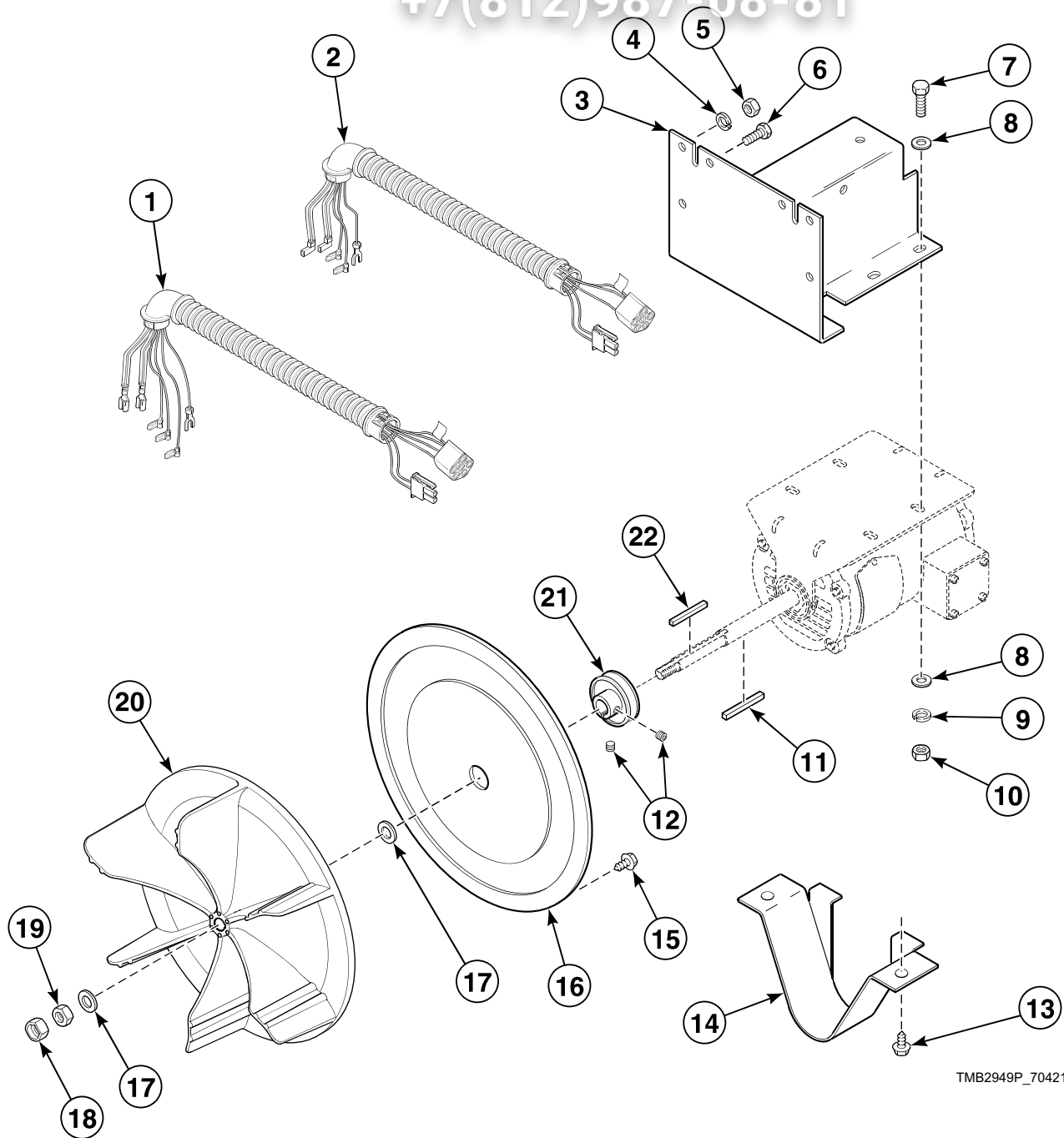
REF	PART NO.	DESCRIPTION	COMMENTS
	942P3P	Idler/Belt Assembly Kit	Use to replace whole assembly
	943P3P	Idler Housing Kit	
1	44086901P	Sheave Kit	
2	M412476	Guide Rail	2 required
3	M400065	Screw	2 required
4	M401327	Key	2 required
5	M400080	Washer	2 required
6	M403958	Washer	2 required
7	M400043	Screw	2 required
8	70265901	Washer	
9	430648	Screw	
10	430619	Drum Idler Wheel Assembly	
11	56156	Nut	
12	M400056	Screw	
13	70270301	Washer	
14	M411466P	Micro V Pulley	
15	M400077	Screw	2 required
16	44087201	Nut	
17	M412627	Screw	
18	M414405	Tension Plate Assembly	
19	M412188	Washer	
20	H88412101	Nut	
21	M400399	Ring	

Fan Components

Вит Общепит

vsezip.ru

+7(812)987-08-81



TMB2949P_70421801

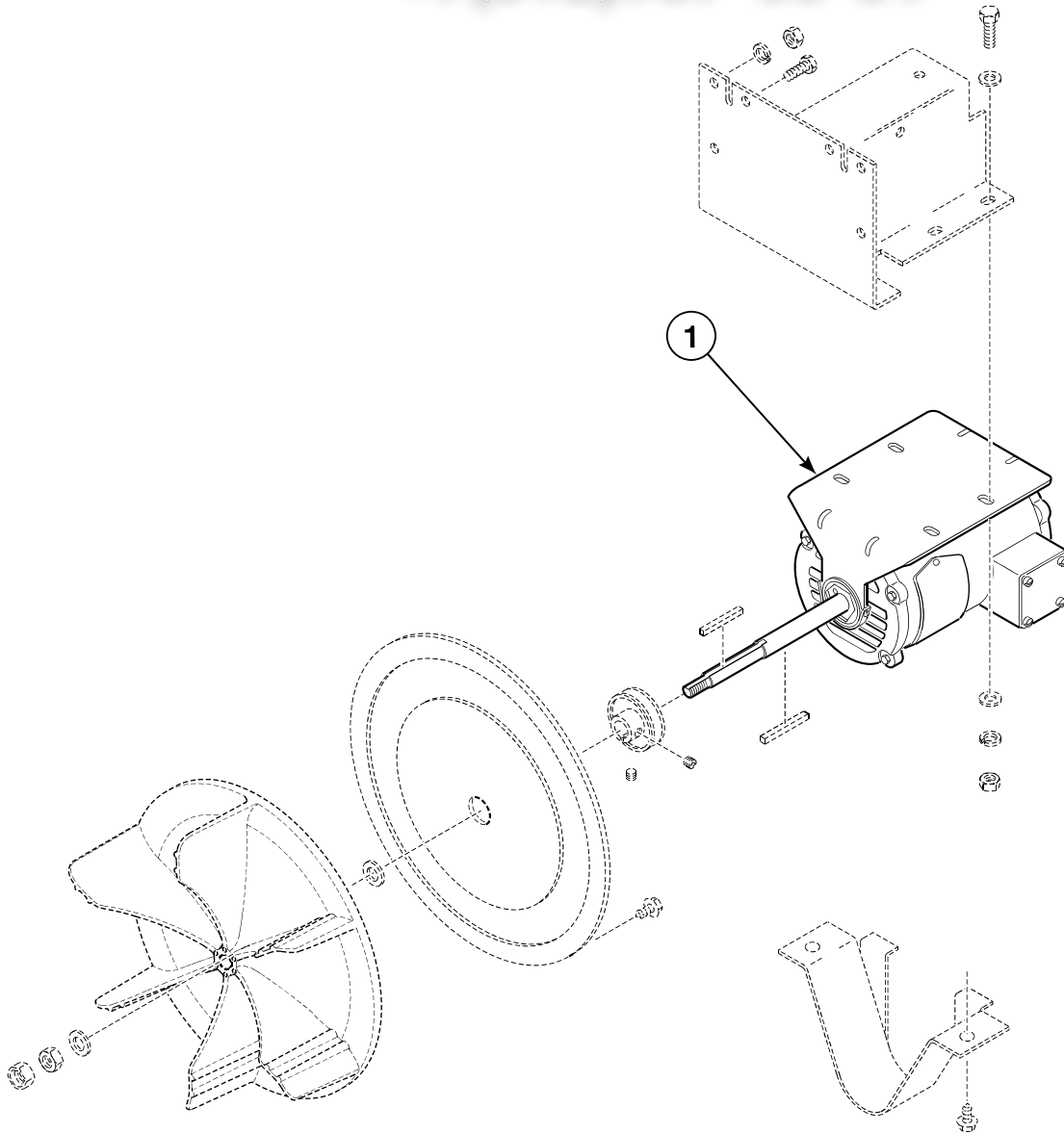
Fan Components

REF	PART NO.	DESCRIPTION	COMMENTS
	M4426P3	Motor Hardware Kit	Includes items 11, 17-19 and 22
	M4525P3P	Resilient Ring Kit	2 per package
1	44169901	Fan Motor Harness	3 Phase
2	44137201P	Fan Motor Harness	1 Phase
3	44117201	Motor Bracket	
4	M400014	Washer	
5	20274	Nut	
6	M401393	Bolt	2 required
7	M400057	Screw	
8	M400080	Washer	
9	M400013	Washer	
10	02428	Nut	
11	44132301	Key	Nonreversing; All models: 120 Volt/60 Hertz/1 Phase or 200-208 or 240 Volt/60 Hertz/1 Phase; Electric models: 200-208 Volt/60 Hertz/3 Phase or 240 Volt/60 Hertz/3 Phase
	M400993	Key	All other voltages
12	M400077	Screw	Supplied with pulley
13	430497	Screw	
14	M413008	Belt Guard	
15	M410059	Screw	7 required
16	M401362	Cover Plate	
17	M400991	Washer	
18	M400034	Nut	
19	M400022	Nut	
20	44127401P	Blower	
21	M414564	Pulley	60 Hertz; Nonreversing
	M414566	Pulley	50 Hertz; Nonreversing
22	M400994	Key	

Fan Motors
Элп Общепит

vsezip.ru

+7(812)987-08-81



TMB2968P_70421801

Fan Motors

REF	PART NO.	DESCRIPTION	COMMENTS
1	44045801P	Motor	Use 4132301 Key for pulley and M400994 Key for fan; Use 70211501 Motor Capacitor; Nonreversing; Gas and steam models with: 120 Volt/60 Hertz/1 Phase and 200-208 or 240 Volt/60 Hertz/1 Phase; Electric models with: 200-208 volt/60 Hertz/3 Phase and 240 Volt/60 Hertz/3 Phase
	44046101P	Motor	Nonreversing; Gas and steam models with: 200-208 or 240 Volt/60 Hertz/3 Phase, 460-480 Volt/60 Hertz/3 Phase, 200 Volt/50 Hertz/3 Phase, 230-240 Volt/50 Hertz/3 Phase and 380 or 400-415 Volt/50 Hertz/3 Phase; Electric models with: 480 Volt/60 Hertz/3 Phase, 200 Volt/50 Hertz/3 Phase, 380 Volt/50 Hertz/3 Phase and 400-415 Volt/50 Hertz/3 Phase
	44048701P	Motor	Use M410300 Motor Capacitor; Nonreversing; Gas and steam models with: 230-240 Volt/50 Hertz/1 Phase; Electric models with: 240 Volt/50 Hertz/1 or 3 Phase
	44046001P	Fan Motor	Reversing; Gas and steam models with: 200-208 or 240 Volt/50 or 60 Hertz/3 Phase, 460-480 Volt/50 or 60 Hertz/3 Phase, 200 Volt/50 or 60 Hertz/3 Phase, 230-240 Volt/50 Hertz/3 Phase and 380 or 400-415 Volt/50 or 60 Hertz/3 Phase; Electric models with: 480 Volt/50 or 60 Hertz/3 Phase, 380 Volt/50 or 60 Hertz/3 Phase and 400-415 Volt/50 or 60 Hertz/3 Phase
	44045901P	Fan Motor	Use M410301 Motor Capacitor; Reversing; Gas and steam models with: 230-240 Volt/50 Hertz/1 Phase; Electric models with: 240 Volt/50 Hertz/1 or 3 Phase and 200 Volt/50 Hertz/3 Phase
	44045701P	Motor	Use M410296 Motor Capacitor; Reversing; Electric models with: 200-208 Volt/60 Hertz/3 Phase and 240 Volt/60 Hertz/3 Phase

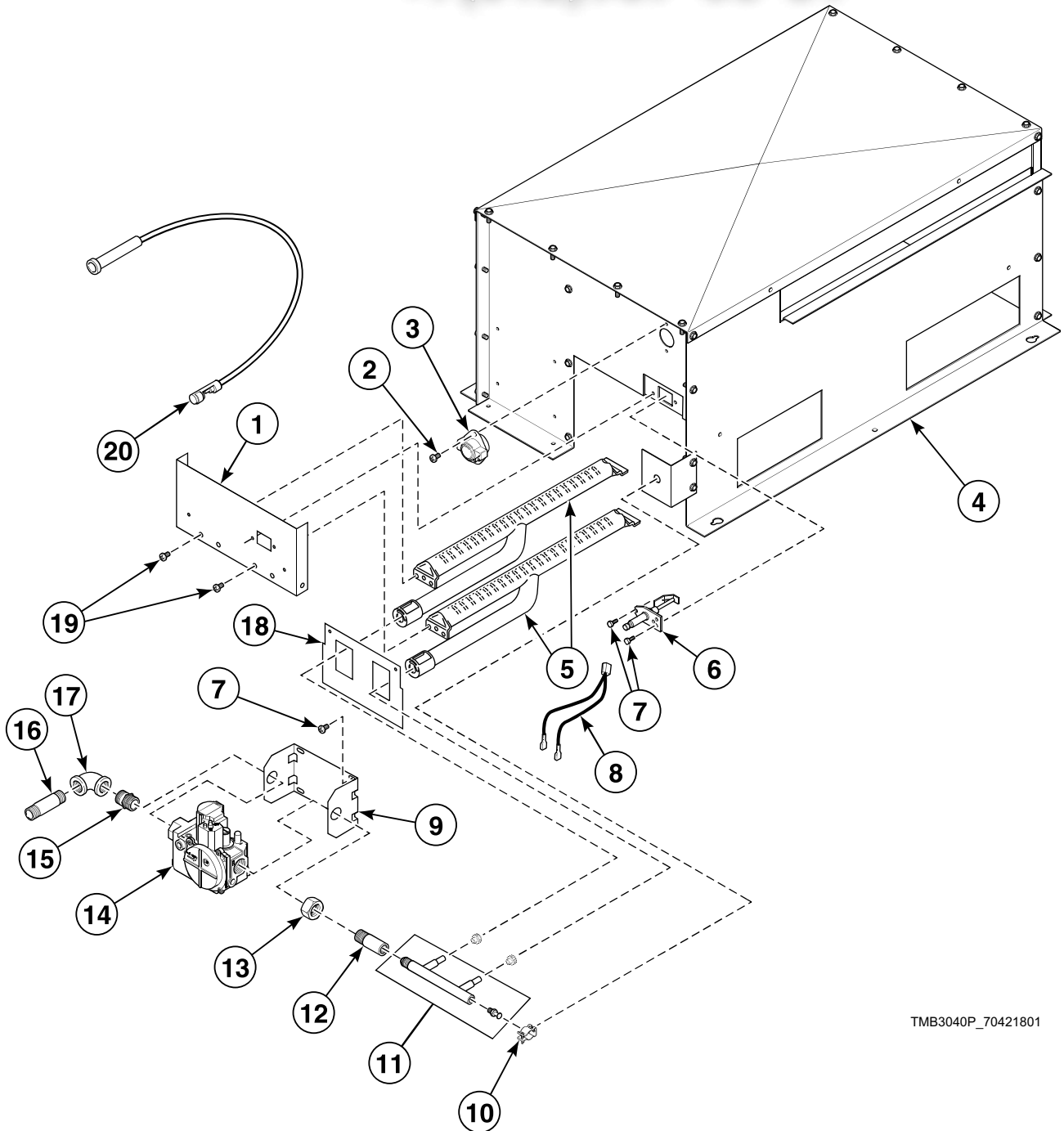
NOTE: Nonreversing motors listed above function as the fan motor and the drive motor.

Gas Heater Components

Вини Общепит

vsezip.ru

+7(812)987-08-81



TMB3040P_70421801

Gas Heater Components

REF	PART NO.	DESCRIPTION	COMMENTS
	M4544P3	L.P. Conversion Kit	Natural Gas (N.G.) to Liquid Petroleum Gas (L.P.); CE and Australian models
	M4979P3	L.P. Conversion Kit	N.G. to L.P.; Non-CE and non-Australian models
	M4897P3	L.P. Gas Valve Kit	Non-CE and non-Australian models
	M413468P	Gas Valve	N.G.; Non-CE and non-Australian models
	M4908P3	Valve Replacement Kit	N.G.; CE models; Use to replace valves through 11/30/09
	M4909P3	Valve Replacement Kit	L.P.; CE models; Use to replace valves through 11/30/09
1	44110201	Burner Support	
2	M402797	Screw	2 required
3	M409433	Limit Thermostat	Non-CE and non-Australian models
	M411938	Manual Reset Thermostat	CE and Australian models
4	44136001	Gas Stove Assembly	Includes item 5
5	M410541	Burner Assembly	2 required
6	M406934P	Spark Igniter	
7	430497	Screw	2 required
8	M412997	Gas Valve Harness Assembly	Non-CE and non-Australian models
	M413650	Gas Valve Harness Assembly	CE and Australian models
9	44175701	Gas Valve Bracket	
10	44155201	Pipe Clamp	Includes screw
11	M410546	Spud Holder Assembly	
12	44040501	Manifold Pipe	C, D and I non-CE and non-Australian models
	M406681	Manifold Pipe Assembly	All other models
13	M401548	Nut	
14	44181601P	Gas Valve	N.G.; Australian models
	44181602	Gas Valve	L.P.; Australian models
	44178301P	Gas Valve	N.G.; CE models; Use to replace valves starting 12/1/09
	44178302P	Gas Valve	L.P.; CE models; Use to replace valves starting 12/1/09
	44154501P	Gas Valve	N.G.; Non-CE and non-Australian models
	44154502P	Gas Valve	L.P.; Non-CE and non-Australian models
15	431486	Pipe Nipple	
16	70210201	Pipe Nipple	
17	70079601	Elbow	
18	44136101	Rear Access Plate	
19	70240301	Screw	4 required
20	44061602P	High Temperature Ignition Lead	

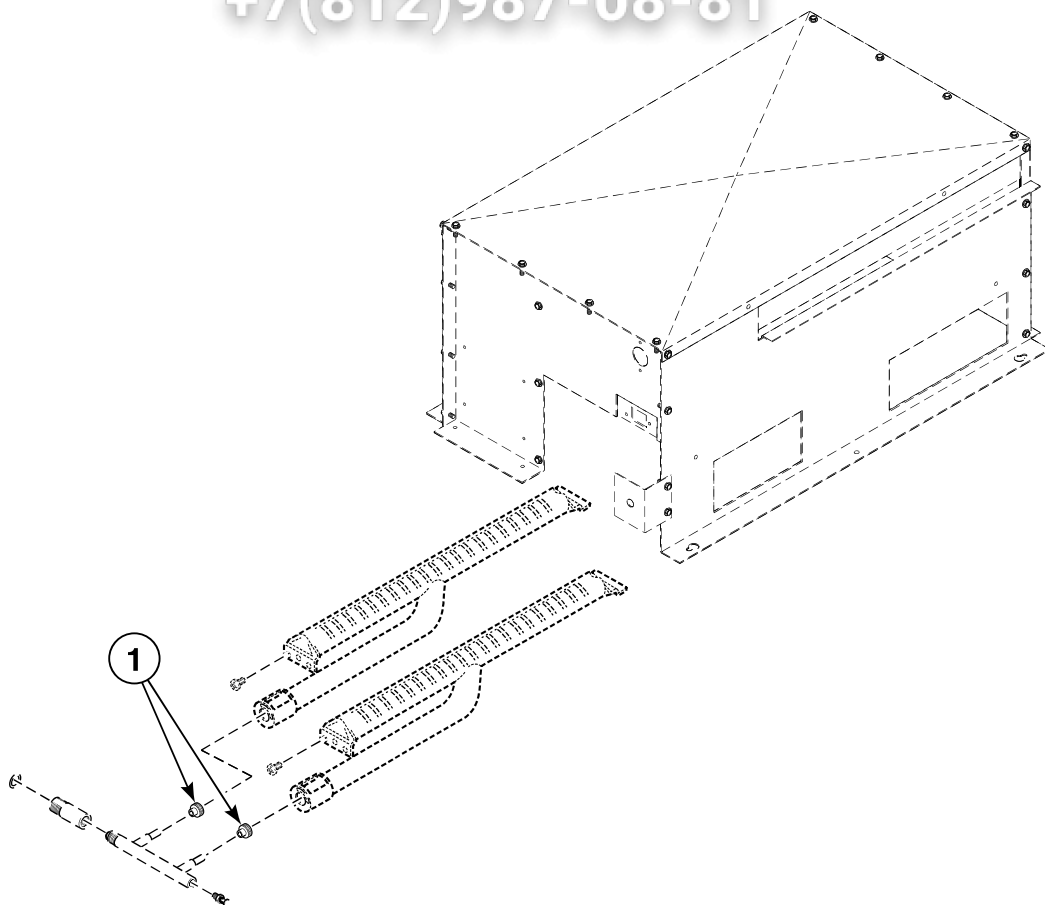
NOTE: For CE gas and orifice information, refer to Installation Manual.

Burner Orifices for Non-CE Models

Элл Общепит

vsezip.ru

+7(812)987-08-81



TMB2978P_70421801

Burner Orifices for Non-CE Models

REF	PART NO.	DESCRIPTION	COMMENTS
1	M406184	Burner Orifice	Liquid Petroleum Gas (L.P.); Drill no. 43 (2.3 mm); 0-4,000 feet; 2 required
	M401011	Burner Orifice	L.P.; Drill no. 44 (2.2 mm); 4,001-6,000 feet; 2 required
	M401027	Burner Orifice	L.P.; Drill no. 45 (2.1 mm); 6,001-8,000 feet; 2 required
	M401003	Burner Orifice	L.P.; Drill no. 46 (2.1 mm); 8,001-10,000 feet; 2 required
	M401000	Burner Orifice	Natural Gas (N.G.); Drill no. 26 (3.7 mm); 0-2,000 feet; 2 required
	M400998	Burner Orifice	N.G.; Drill no. 27 (3.7 mm); 2,001-4,000 feet; 2 required
	M401014	Burner Orifice	N.G.; Drill no. 28 (3.6 mm); 4,001-6,000 feet; 2 required
	M400997	Burner Orifice	N.G.; Drill no. 29 (3.5 mm); 6,001-8,000 feet; 2 required
	M401021	Burner Orifice	N.G.; Drill no. 30 (3.3 mm); 8,001-10,000 feet; 2 required

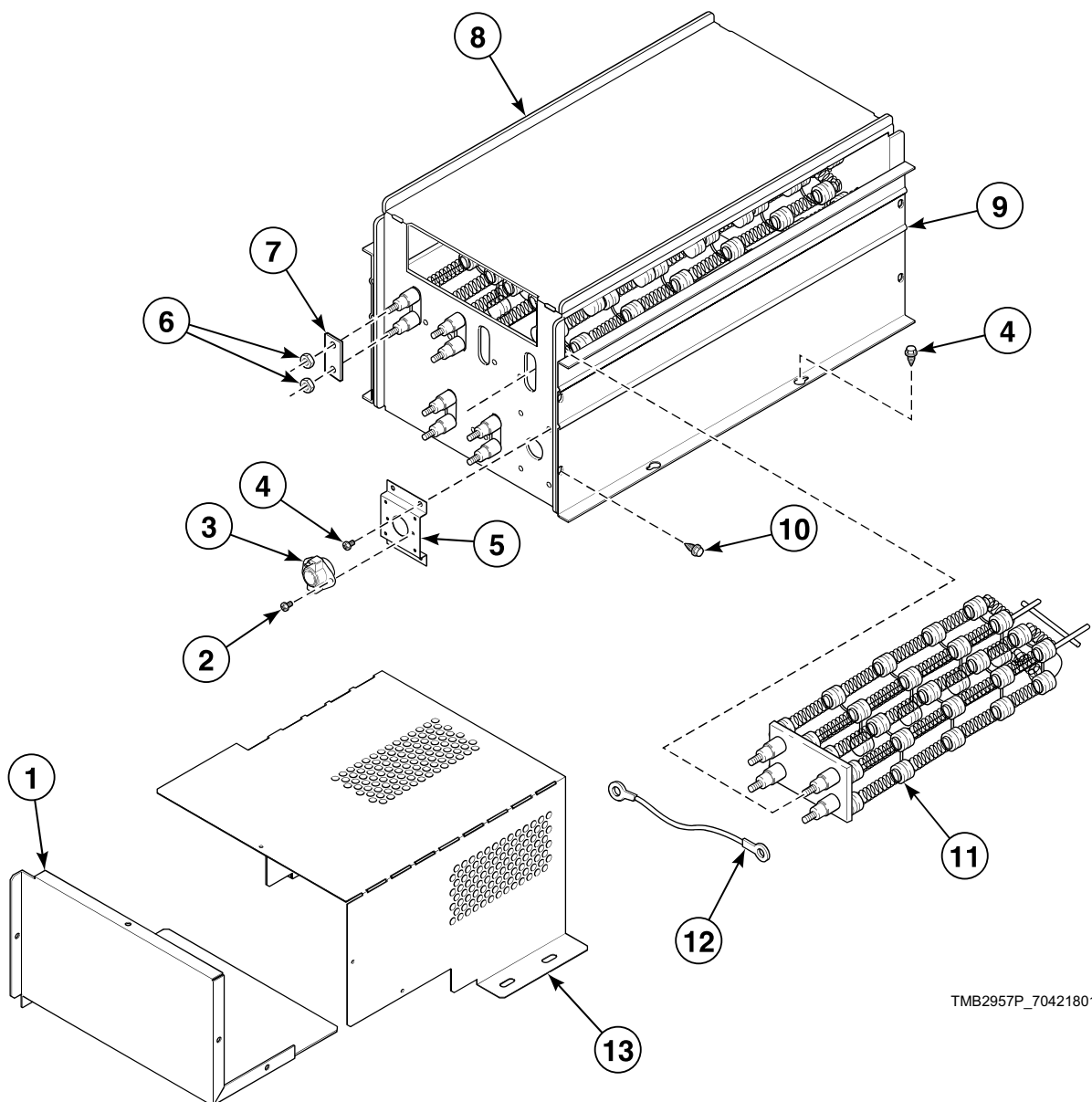
NOTE: For CE gas and orifice information, refer to Installation Manual.

Electric Heater Components

Эл. Общ. Сервис

vsezip.ru

+7(812)987-08-81



TMB2957P_70421801

Electric Heater Components

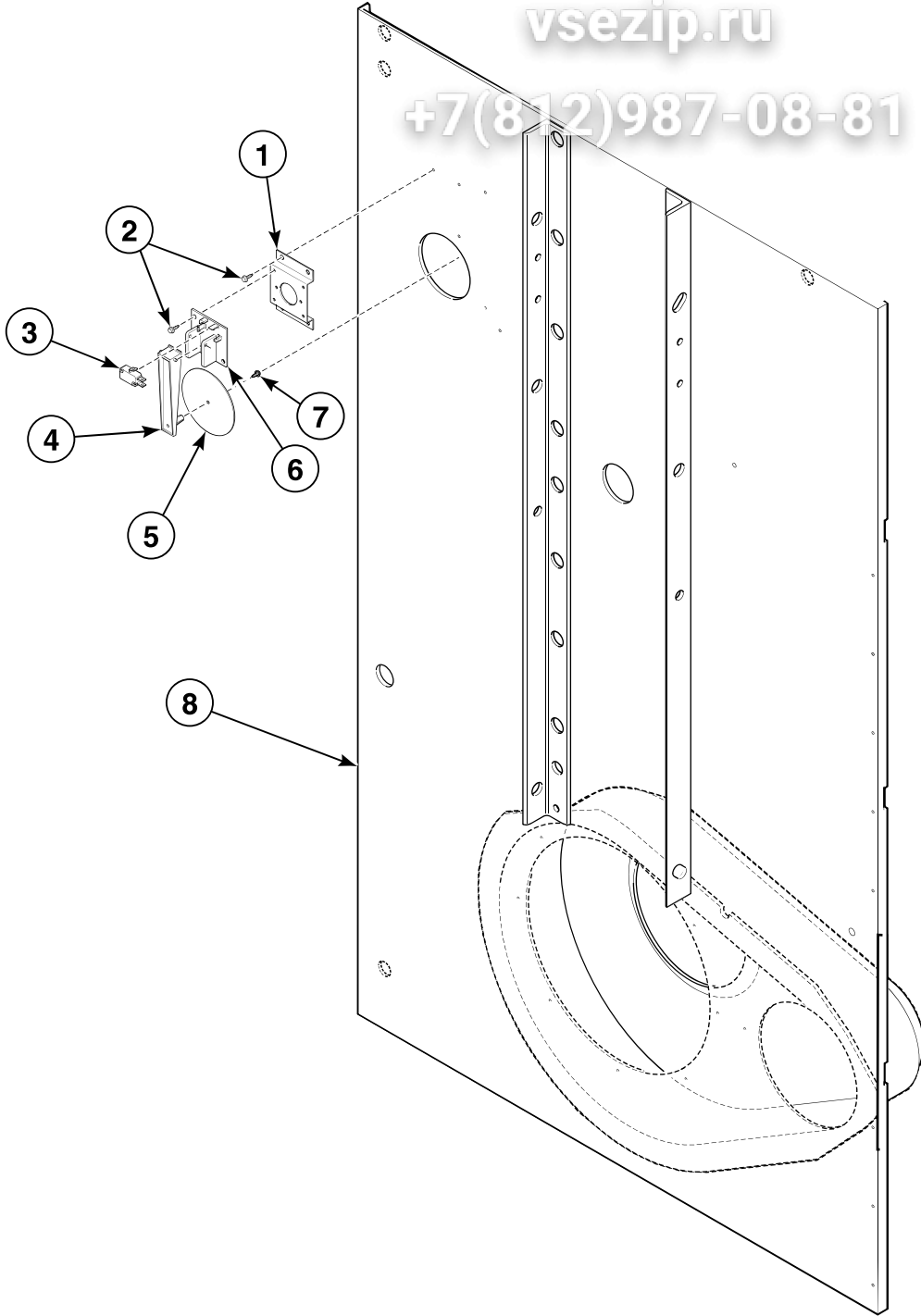
REF	PART NO.	DESCRIPTION	COMMENTS
1	44154901	Electric Accessory Box Cover	
2	33562	Screw	
3	M410542	Limit Thermostat	
4	430497	Screw	
5	70356301	Switch Bracket	
6	70054	Nut	
7	M400866	Jumper Bar	380 Volt/50 Hertz/3 Phase, 400-415 Volt/50 Hertz/3 Phase and 480 Volt/60 Hertz/3 Phase
	M400869	Jumper Strip	3 required for 480 Volt/60 Hertz/3 Phase; 6 required for all others
8	44153301	Heater Box Cover	
9	44154801	Heater Side	
10	70240301	Screw	
11	M410939P	Heater Element	10 kW; 240 Volt; 3 required for 230 or 240 Volt/60 Hertz/3 Phase, 400-415 Volt/50 Hertz/3 Phase and 480 Volt/60 Hertz/3 Phase
	M410940P	Heater Element	10 kW; 208 Volt; 3 required for 200 Volt/50 Hertz/3 Phase and 200-208 Volt/60 Hertz/3 Phase; Non-CE models
	M410941P	Heater Element	10 kW; 220 Volt; 3 required for 380 Volt/50 Hertz/3 Phase
	M412955P	Heater Element	7 kW; 240 Volt; 3 required for 240 Volt/50 Hertz/1 Phase; Non-CE models
12	M412287	Jumper Wire Assembly	1 required for 380 Volt/50 Hertz/3 Phase and 400-415 Volt/50 Hertz/3 Phase; 2 required for 480 Volt/60 Hertz/3 Phase
13	44154701	Electric Accessory Box Wrap	

Airflow Switch Assembly

ЭИП Обществу

vsezip.ru

+7(812)987-08-81



TMB2958P_70421801

Airflow Switch Assembly

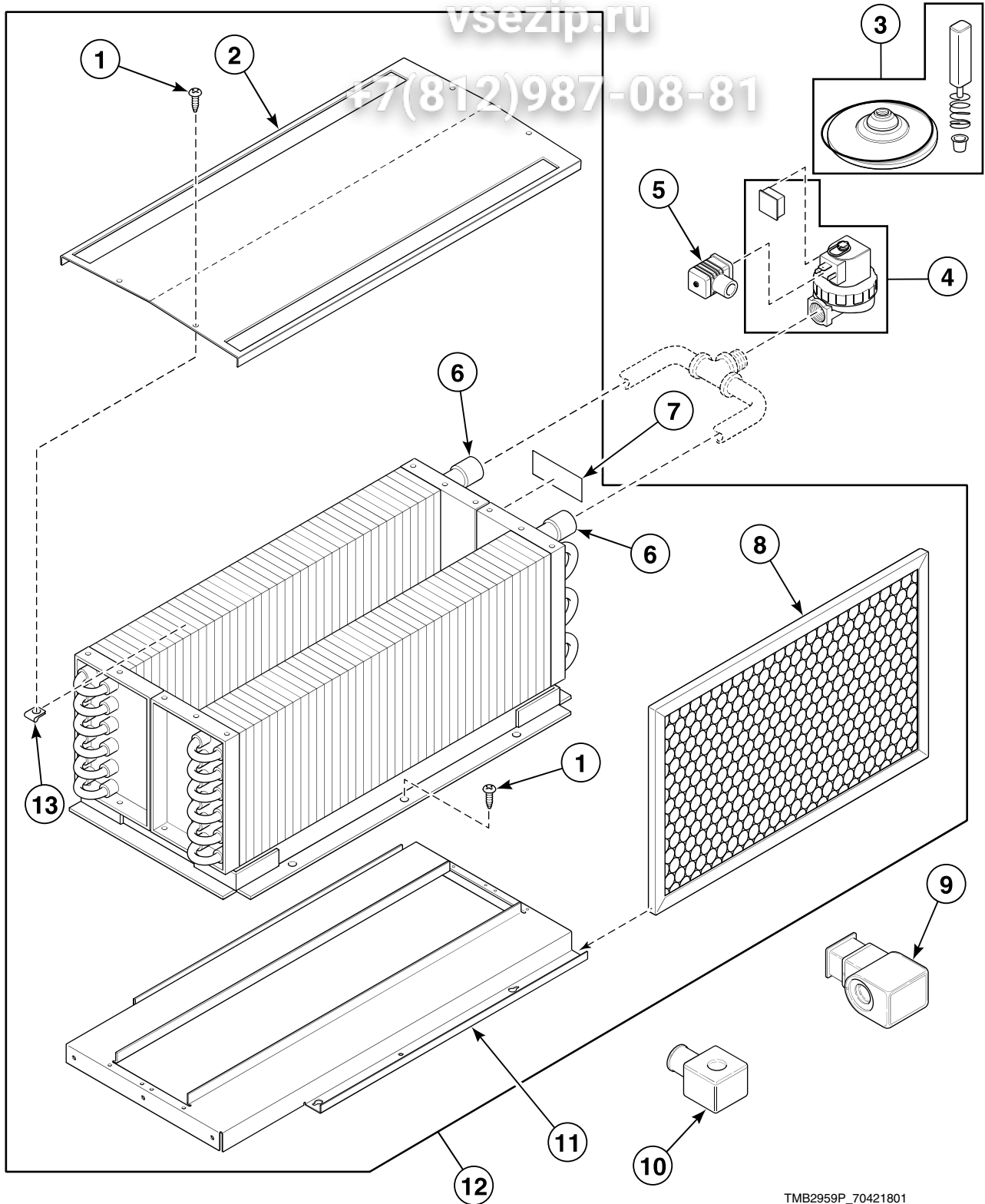
REF	PART NO.	DESCRIPTION	COMMENTS
1	70356301	Switch Bracket	
2	430497	Screw	6 required
3	70411901	Switch	
4	70319401	Airflow Switch Arm	
5	70319201	Airflow Switch Vane	
6	70319601	Airflow Switch and Arm Bracket	
7	430757	Screw	
8	44170401	Rear Panel Assembly	
	44171101	Rear Panel Assembly	Bolt on angle option

Steam Heater and Valve

Всёzip.ru

vsezip.ru

+7(812)987-08-81



TMB2959P_70421801

Steam Heater and Valve

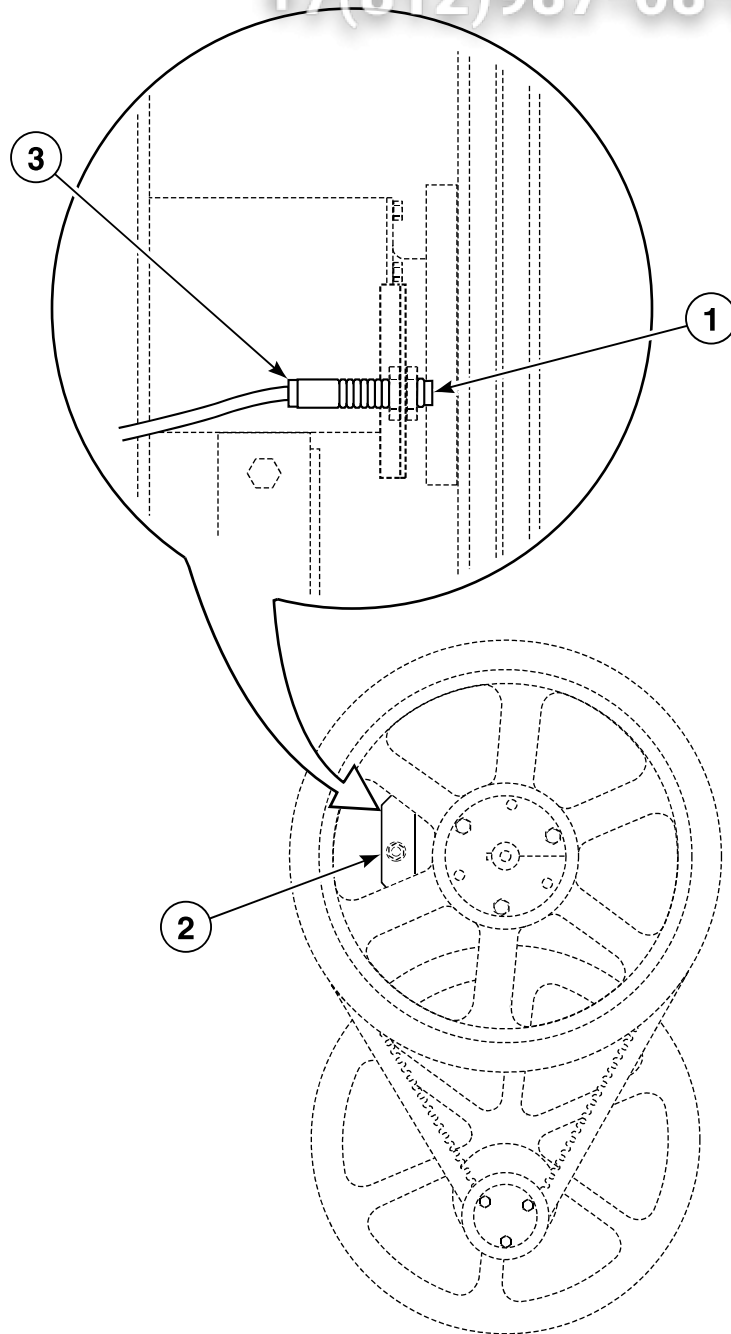
REF	PART NO.	DESCRIPTION	COMMENTS
	M405188	Screw	Thermal oil models; 8 required
	33562	Screw	Thermal oil models; 4 required
	M414759	Top Cover	Thermal oil models
1	430497	Screw	
2	M400828	Low Pressure Steam Cover	
3	70351021P	Steam Valve Rebuild Kit	All models except thermal oil models
4	70351002P	Steam Valve	All models except thermal oil models; 50 Hertz
	70351001P	Steam Valve	All models except thermal oil models; 60 Hertz
5	70370301P	Solenoid Valve DIN Connector	All models except thermal oil models
6	M400637P	Steam Coil	All models except thermal oil models
7	902303	Steam Pressure Label	All models except thermal oil models; Near inlet to indicate maximum steam pressure
8	44172001	Filter	2 required; CE models
	44104201	Air Filter	2 required; All other models
9	70351012	Steam Solenoid	All models except thermal oil models
10	70351011P	Steam Solenoid	All models except thermal oil models
11	44007501	Steam Stand Box	
12	44020401P	Steam Heater Assembly	All models except thermal oil models
13	M400974	Clip	

Rotation Sensor

C, D and I Models

vsezip.ru

+7(812)987-08-81



TMB2009P_70421801

Rotation Sensor

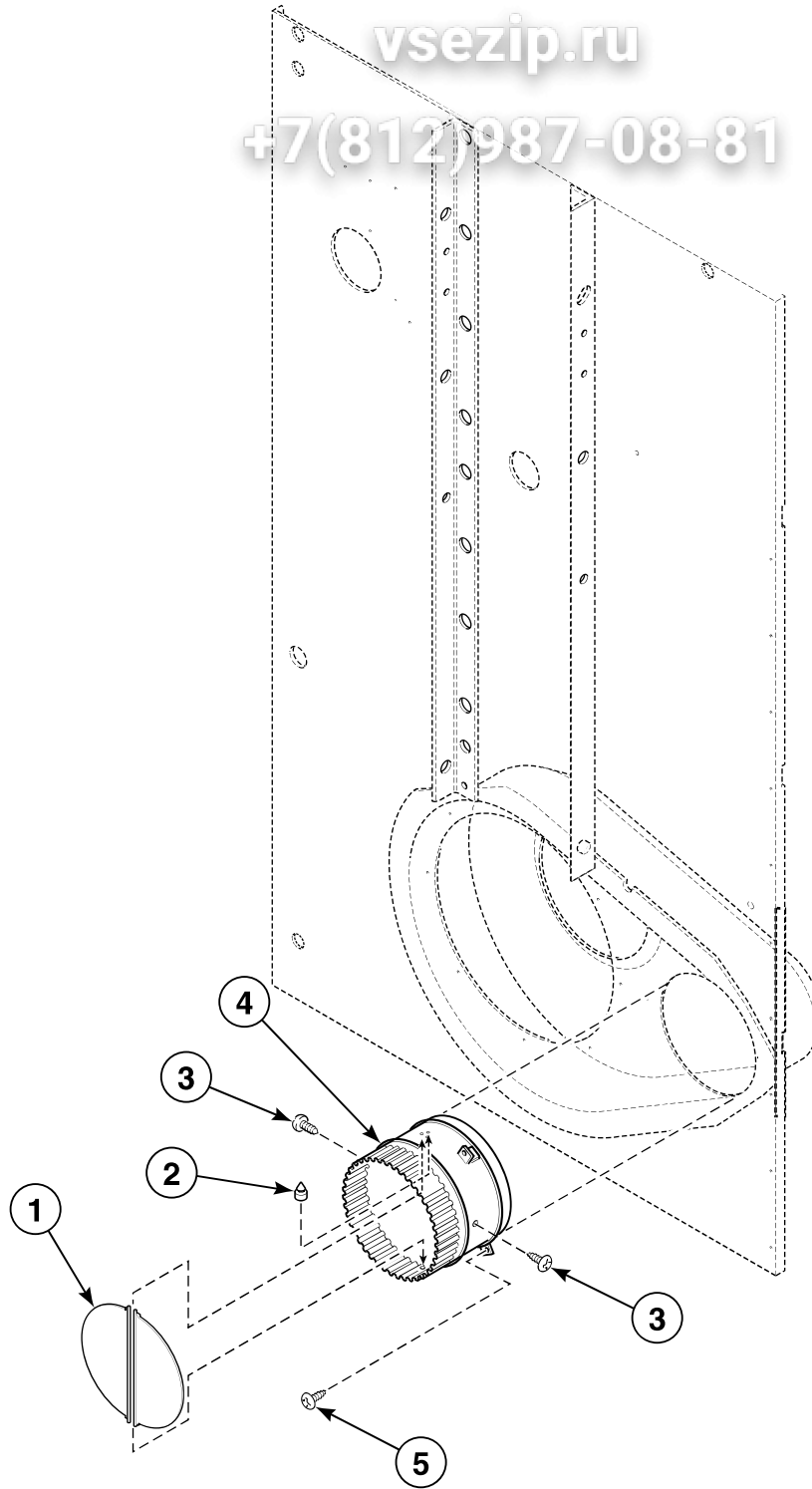
REF	PART NO.	DESCRIPTION	COMMENTS
1	70274001P	Rotation Sensor	Includes plug; C and I models
	70417401P	Rotation Sensor Assembly	Includes plug; D models
2	44044501	Proximity Bracket	
3	70274102P	Rotation Sensor Cable Assembly	Includes connector

Duct and Damper Assembly

Вип Общениг

vsezip.ru

+7(812)987-08-81



TMB2960P_70421801

Duct and Damper Assembly

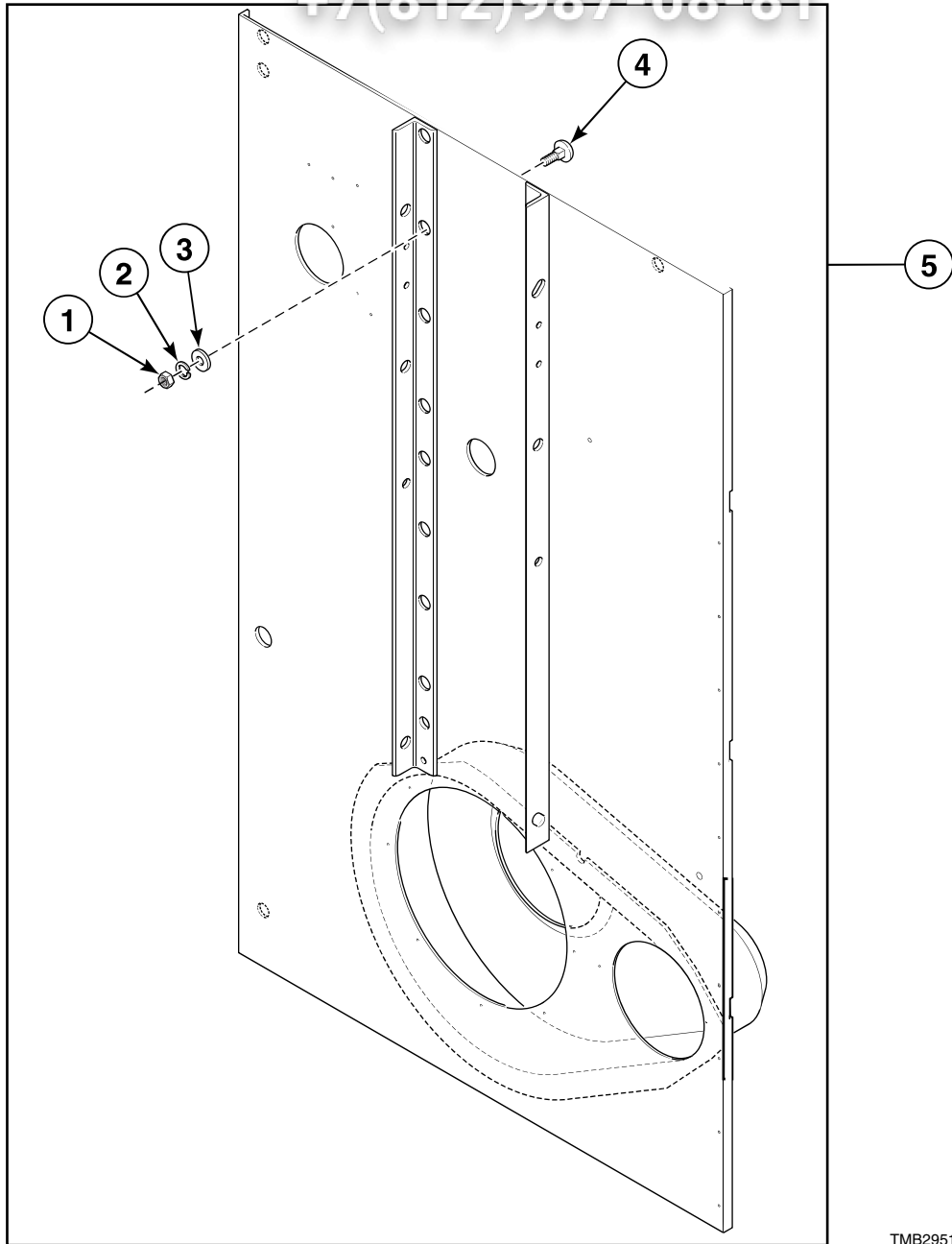
REF	PART NO.	DESCRIPTION	COMMENTS
1	M400503	Thimble Vane Assembly	2 required
2	M400795	Bumper	
3	M405188	Screw	2 required
4	M412288	Exhaust Thimble Assembly	
5	M411072	Screw	3 required

Rear Panel Assembly

Зип ОбщениТ

vsezip.ru

+7(812)987-08-81



TMB2951P_70421801

Rear Panel Assembly

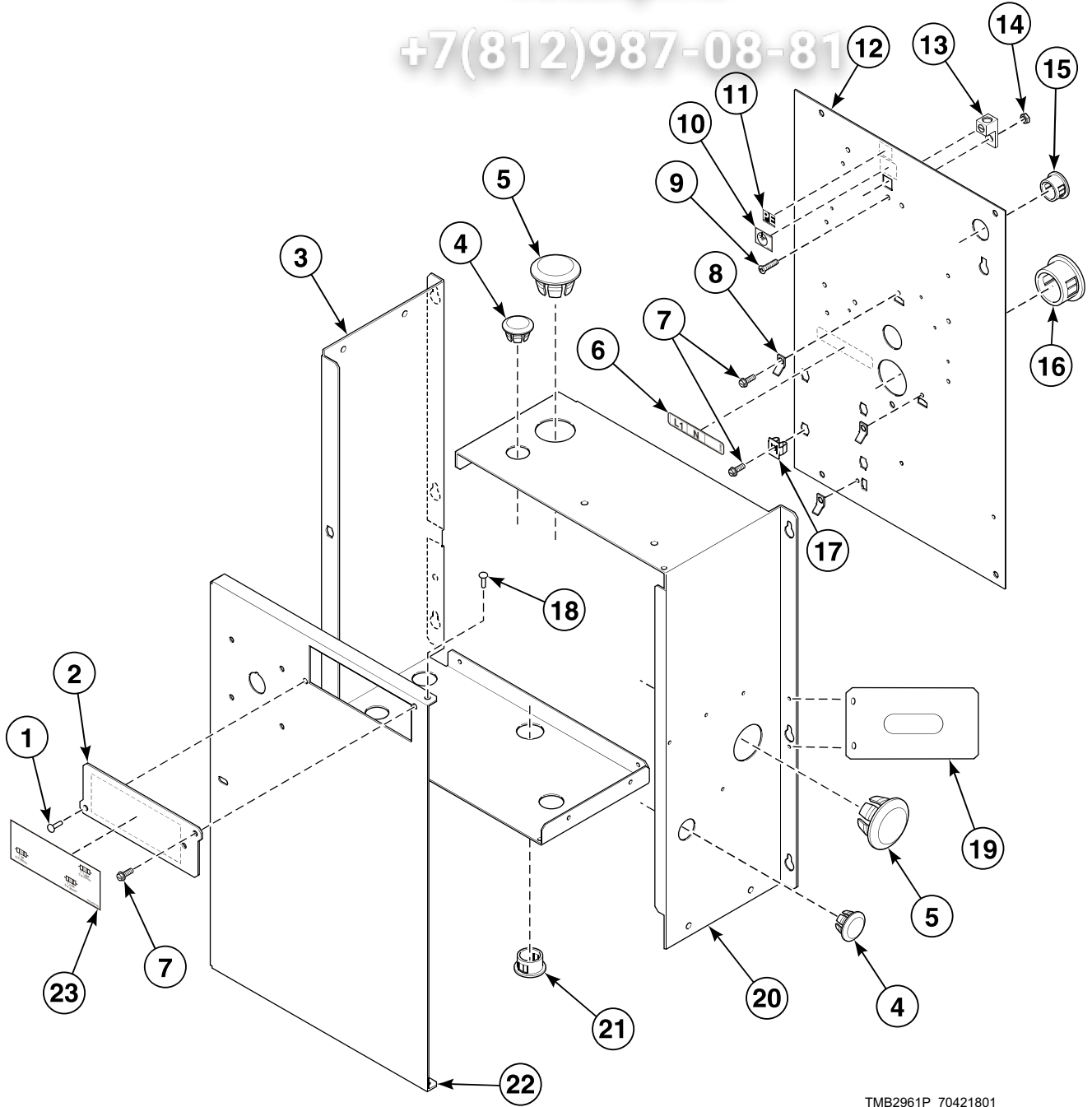
REF	PART NO.	DESCRIPTION	COMMENTS
	44170401	Rear Panel Assembly	
1	20274	Nut	14 required
2	M400014	Washer	14 required
3	M400080	Washer	14 required
4	M405503	Bolt	14 required
5	44171101	Rear Panel Assembly	Bolt on angle option

Control Tray Wrap Components

Эл. Общ. Эл.

vsezip.ru

+7(812)987-08-81



TMB2961P_70421801

Control Tray Wrap Components

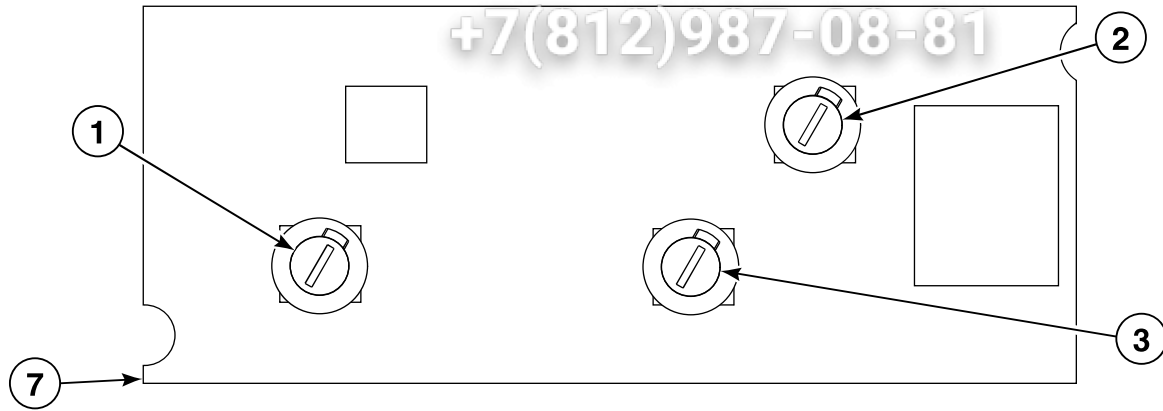
REF	PART NO.	DESCRIPTION	COMMENTS
1	70058501	Pop Rivet	
2	70313301	Fuse Cover	
3	44159001	Contactator Box Side	
4	M400985	Plug	Gas models nonreversing 2 required, reversing 1 required; Steam and electric models nonreversing 3 required, reversing 2 required
5	F8223801	Hole Plug	Gas and steam models 2 required; Electric models 1 required
6	70218801	Wire Label	L1, N
	70218701	Wire Label	L1, L2, L3
	70219001	Wire Label	L1, N, L2; Gas and steam models
7	F8206901	Screw	4 required
8	00177	Male Tab Terminal	3 required
9	F430903	Screw	
10	F230739	Ground Decal	
11	M412096	Earth Terminal Sticker	
12	44133701	Contactator Box Base	
13	M411283	Ground Lug Connector	
14	F430232	Nut	
15	44071501	Snap Bushing	Gas models
16	M405340	Snap Bushing	Electric models 2 required; Gas and steam models 1 required
17	70030501	Expansion Clip	5 required
18	70058502	Pop Rivet	2 required
19	44175801	Pipe Bracket	
20	44158901	Contactator Box Side	
21	70178701	Snap Bushing	
22	44134001	Contactator Box Cover	Gas and steam non-CE models
	44134002	Contactator Box Cover	Gas and steam CE models
	44134003	Contactator Box Cover	Electric models
23	70337301	Fuse Label	3 fuses
	70337201	Fuse Label	4 fuses; Models with less than 380 Volts
	70337401	Fuse Label	4 fuses; Models with 380 Volts or higher

Control Tray Fuses

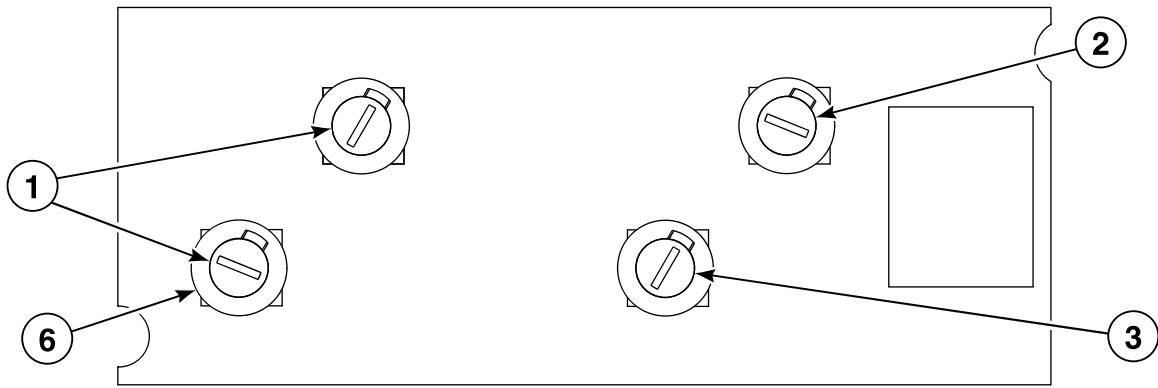
Эл. Общепит

vsezip.ru

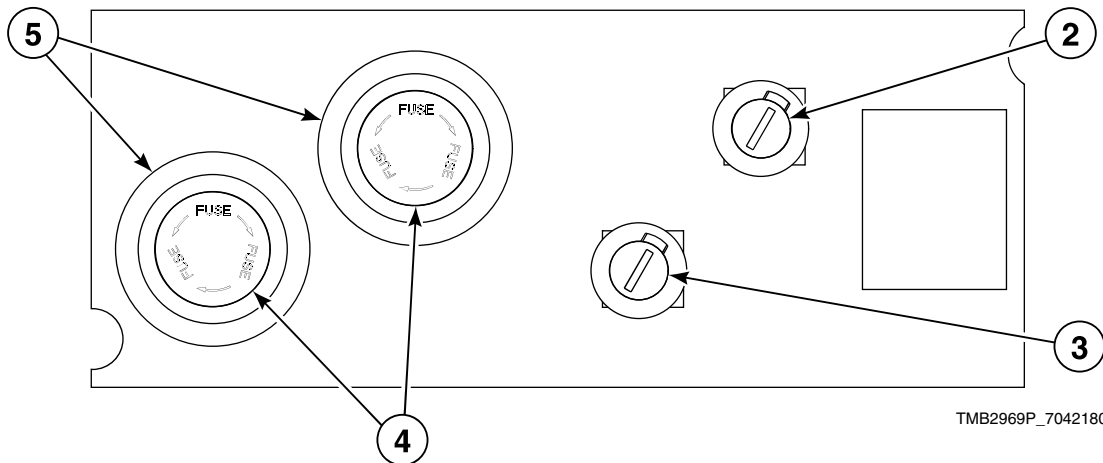
MODELS WITH LESS THAN 380 VOLTS/1 PHASE



MODELS WITH LESS THAN 380 VOLTS/3 PHASE



MODELS WITH 380 VOLTS OR HIGHER/3 PHASE

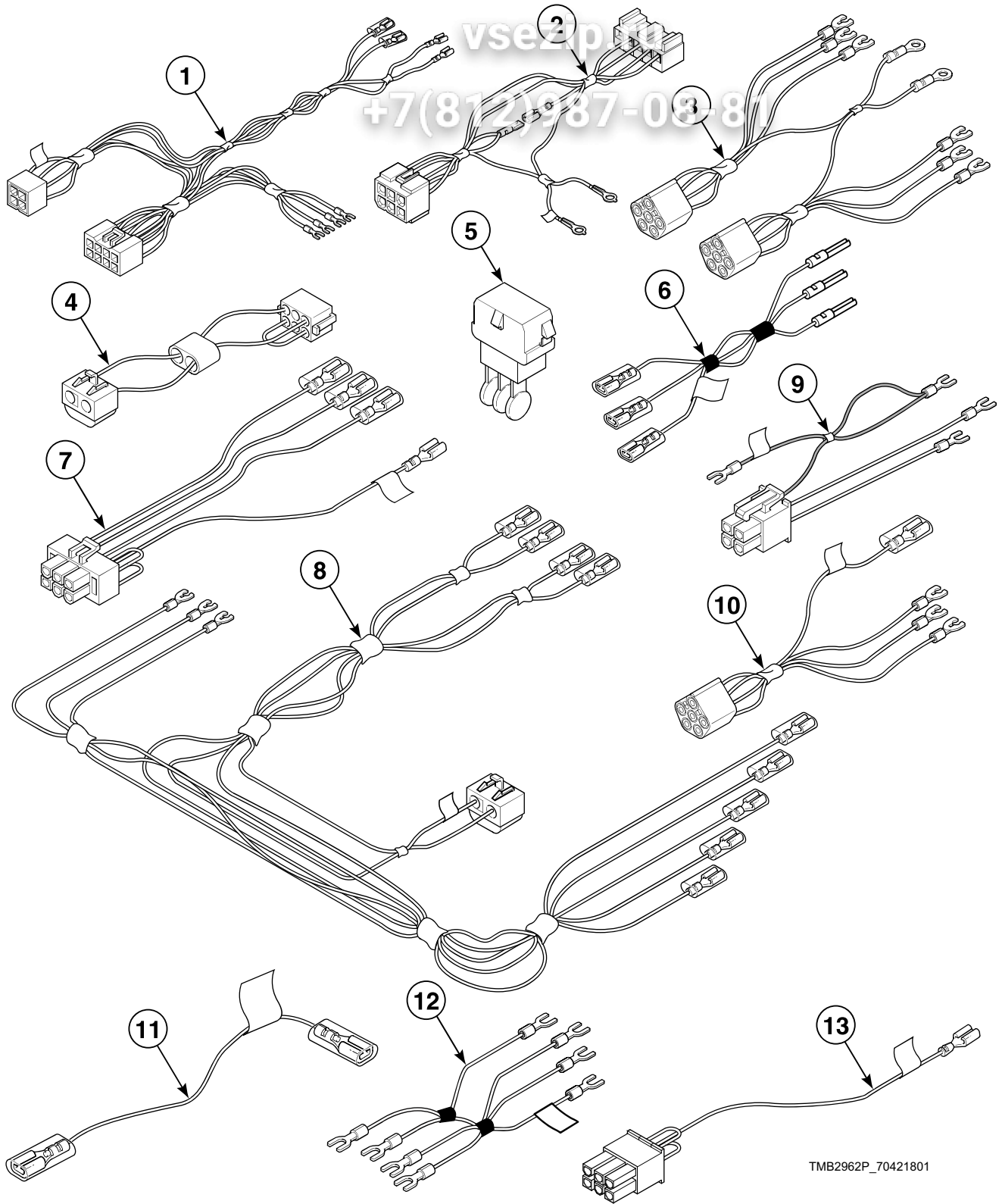


TMB2969P_70421801

Control Tray Fuses

REF	PART NO.	DESCRIPTION	COMMENTS
1	70406701	Fuse	2 Amp
2	70406501	Fuse	1.25 Amp
3	70406601	Fuse	0.5 Amp
4	M413621	Fuse	.5 Amp
5	44155601	Fuse Holder	
6	70329401P	Fuse Holder Body	
	70329501	Fuse Holder Cap	
7	70313602	Fuse Bracket	Models with 380 Volts or higher
	70306901	Fuse Bracket	Models with less than 380 Volts

Control Tray Harnesses for Gas and Steam Models



TMB2962P_70421801

Control Tray Harnesses for Gas and Steam Models

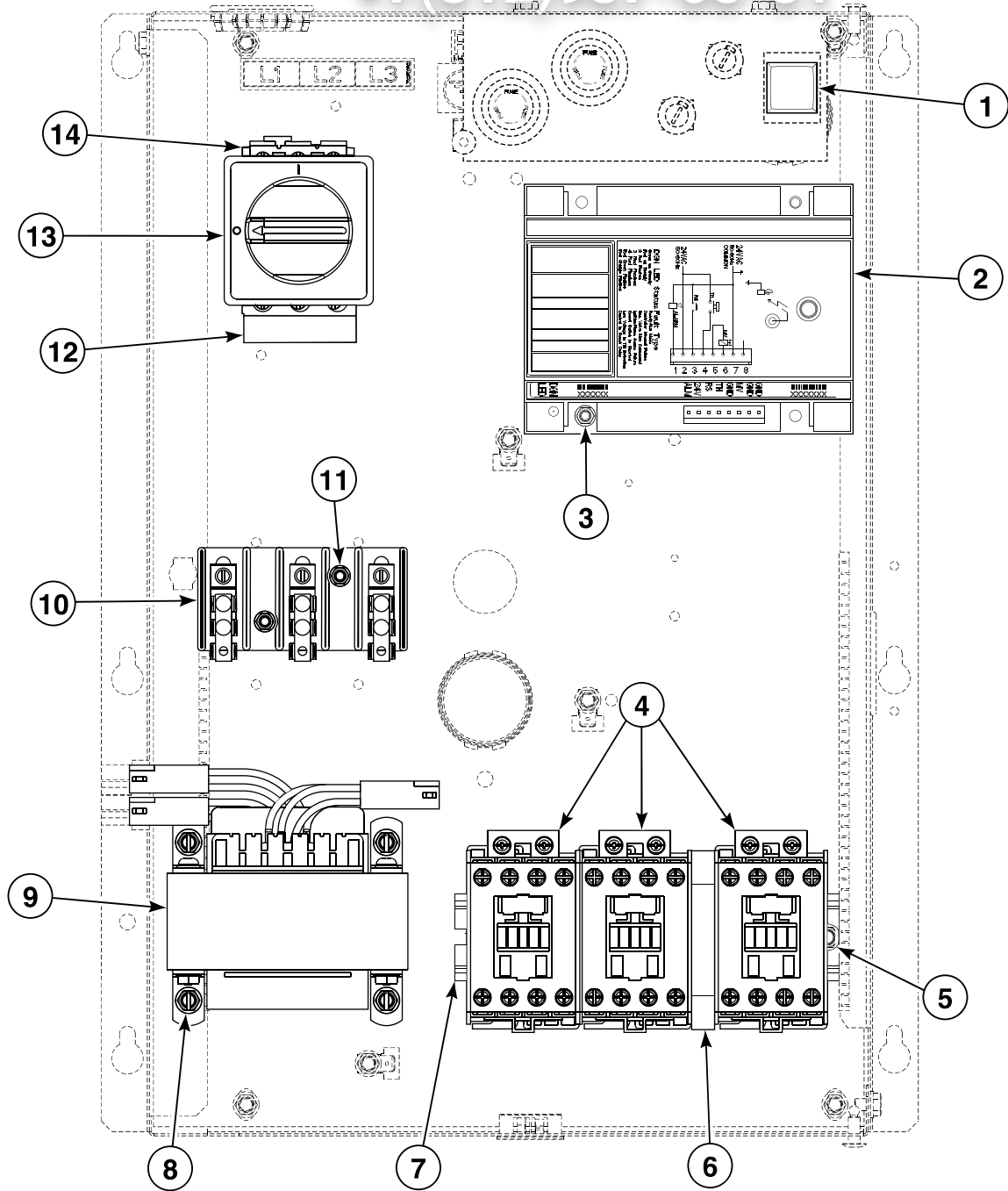
REF	PART NO.	DESCRIPTION	COMMENTS
1	44136701P	Junction Box Harness	
2	44136501	Ignition Control Harness	Non-CE gas models
	44136601P	Ignition Control Harness	CE gas models
3	44139901P	Motor Contactor Harness	1 Phase; Reversing
	44142601P	Motor Contactor Harness	3 Phase; Reversing
4	M413506	Jumper Harness Assembly	208 Volt
	M413507	Jumper Configuration Assembly	240 Volt
	M413508	Jumper Harness Assembly	380 Volt
	M413510	Jumper Configuration Assembly	480 Volt
5	M413863	Network Capacitor Assembly	
6	70342101	Gas Disconnect Harness	CE models
7	44143401P	Network Capacitor Harness Assembly	
8	44136201P	Power Harness	3 Phase models with 380 Volts or higher
	44136301P	Power Harness	3 Phase models with less than 380 Volts
	44139801P	Power Harness	1 Phase
9	44139601P	Reversing Contactor Harness	
10	44137001P	Motor Contactor Harness	3 Phase
	44136401	Motor Contactor Harness	1 Phase
11	70389901	Steam Stove Limit Bypass Harness	Steam models
12	44157401	Reversing Contactor Jumper Wire	1 Phase; Upper
	44139501	Reversing Contactor Jumper	1 Phase; Lower
	44136801	Reversing Contactor Jumper Assembly	Upper
	44136901	Reversing Contactor Jumper Assembly	Lower
13	44142801	Steam Configuration Harness	Steam models

Control Tray Components for Gas Models

Вини общепит

vsezip.ru

+7(812)987-08-81



TMB2964P_70421801

Control Tray Components for Gas Models

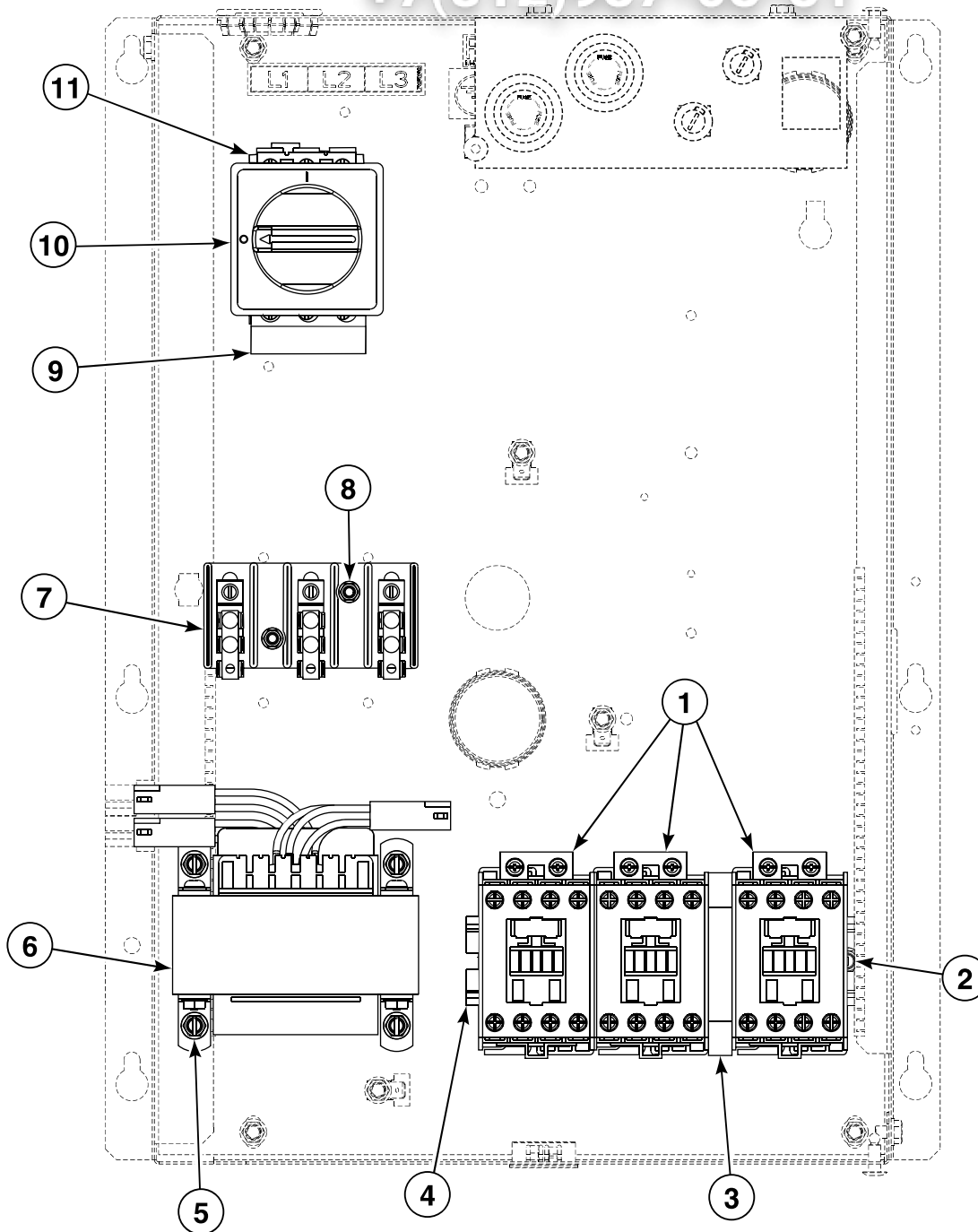
REF	PART NO.	DESCRIPTION	COMMENTS
1	M413431	Pushbutton Switch	CE and Australian models
2	70367301P	Ignition Control	Non-CE and non-Australian models
	70367401P	Ignition Control	CE and Australian models
3	38272	Screw	
4	70323701P	Contactors	Nonreversing 1 required, reversing 3 required
5	430497	Screw	2 required
6	F330186P	Interlock Contactor	Reversing
7	M412693	Din Rail	
8	M411072	Screw	4 required
9	M414228P	Transformer	Multitap; 100-240 Volt
	M414229P	Transformer	Multitap; 380-480 Volt
	44074401	Transformer	Dual secondary; 440 Volt
	M414230P	Transformer	Single secondary; 120 Volt
	M414312P	Transformer	Dual secondary; 120 Volt
10	430642	Terminal Block	Use 70333001 Terminal Block Shield to protect terminal block
11	44083001	Screw	2 required
12	M412366	Finger Guard	CE models
13	M412208	Handle	CE models; 44160701 Extension Handle attaches to operator handle; M412368 Interlock Door mounts under operator handle
14	M412187P	Mounting Switch Base	CE models; Use 51782 Screw to attach

Control Tray Components for Steam Models

Эл. Общ. Инт.

vsezip.ru

+7(812)987-08-81

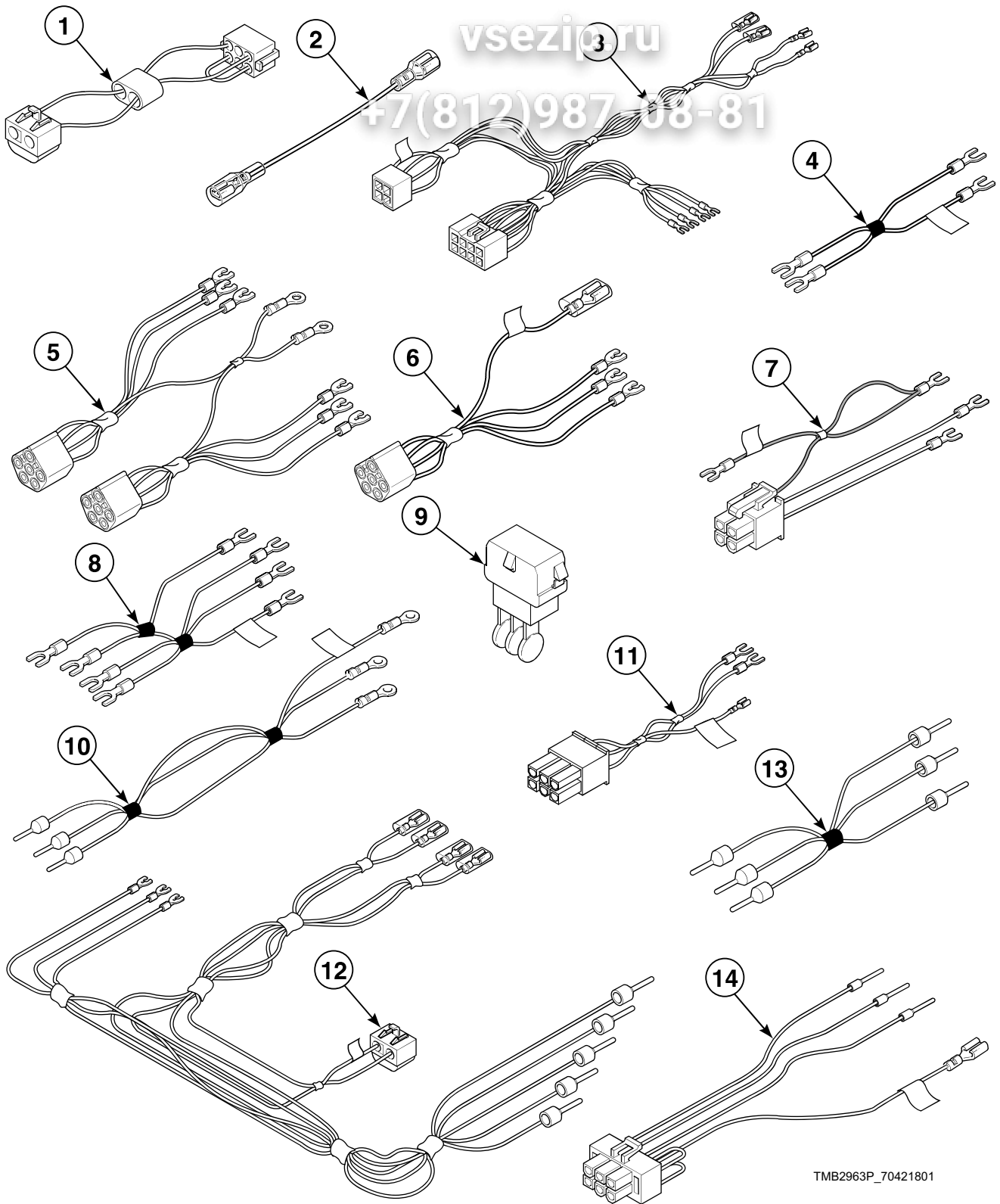


TMB2965P_70421801

Control Tray Components for Steam Models

REF	PART NO.	DESCRIPTION	COMMENTS
1	70323701P	Contactors	Non reversing 1 required, reversing 3 required
2	430497	Screw	2 required
3	F330186P	Interlock Contactors	Reversing
4	M412693	Din Rail	
5	M411072	Screw	4 required
6	M414228P	Transformer	Multitap; 100-240 Volt
	M414229P	Transformer	Multitap; 380-480 Volt
	44074401	Transformer	Dual secondary; 440 Volt
	M414230P	Transformer	Single secondary; 120 Volt
	M414312P	Transformer	Dual secondary; 120 Volt
7	430642	Terminal Block	Use 70333001 Terminal Block Shield to protect terminal block
8	44083001	Screw	2 required
9	M412366	Finger Guard	CE models
10	M412208	Handle	CE models; 44160701 Extension Handle attaches to operator handle; M412368 Interlock Door mounts under operator handle
11	M412187P	Mounting Switch Base	CE models; Use 51782 Screw to attach

Control Tray Harnesses for Electric Models



TMB2963P_70421801

Control Tray Harnesses for Electric Models

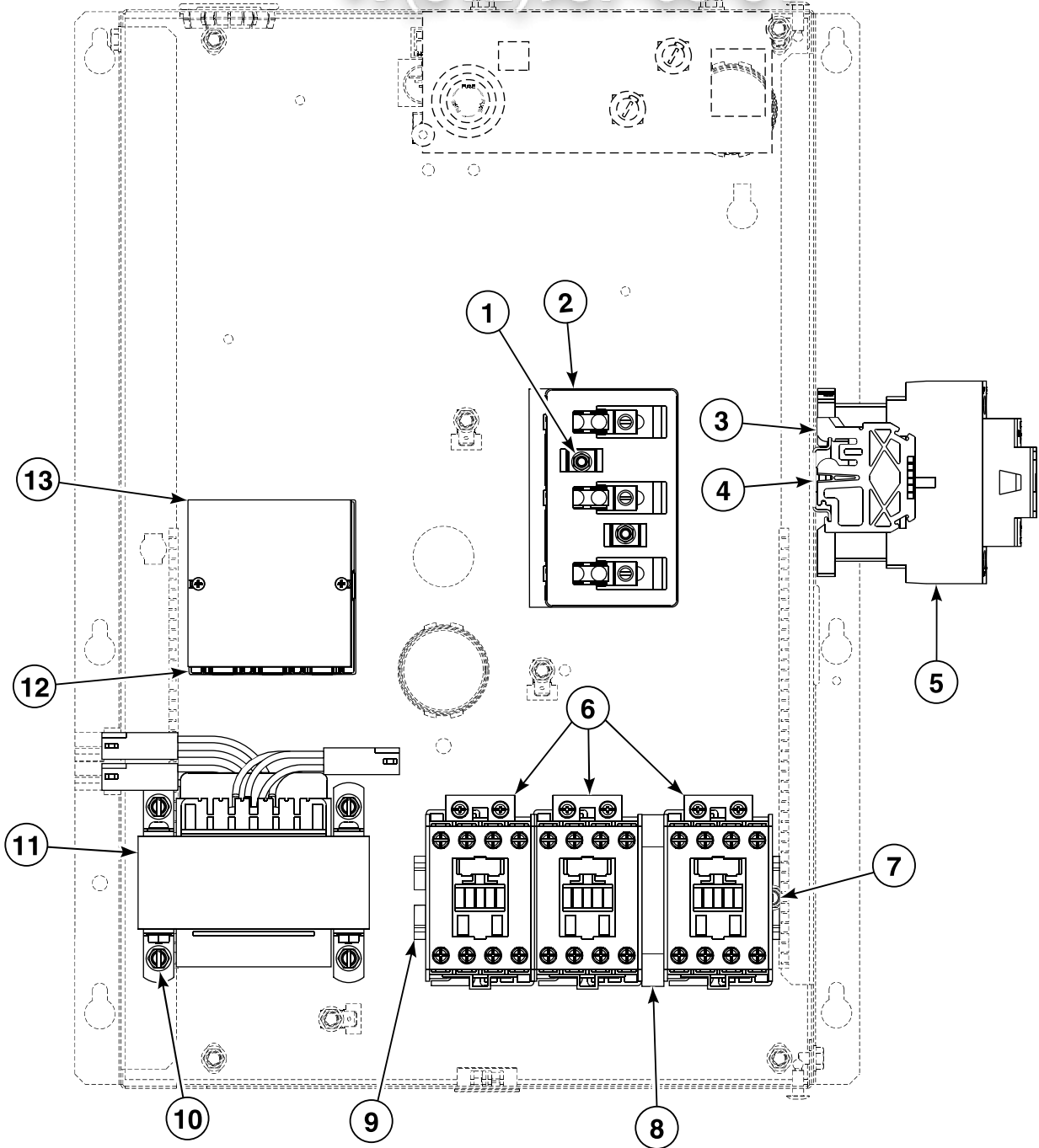
REF	PART NO.	DESCRIPTION	COMMENTS
1	M413506	Jumper Harness Assembly	208 Volt
	M413507	Jumper Configuration Assembly	240 Volt
	M413508	Jumper Harness Assembly	300 Volt
	M413509	Jumper Harness Assembly	415 Volt
	M413510	Jumper Configuration Assembly	480 Volt
2	44014501	Jumper Wire	6 guage; 4.5 inches
3	44136701P	Junction Box Harness	
4	70355801P	Electric Contactor Jumper Set Harness	
5	44139901P	Motor Contactor Harness	1 Phase; Reversing
	44142601P	Motor Contactor Harness	3 Phase; Reversing
6	44137001P	Motor Contactor Harness	3 Phase
	44136401	Motor Contactor Harness	1 Phase
7	44139601P	Reversing Contactor Harness	
8	44157401	Reversing Contactor Jumper Wire	1 Phase; Upper
	44139501	Reversing Contactor Jumper	1 Phase; Lower
	44136801	Reversing Contactor Jumper Assembly	Upper
	44136901	Reversing Contactor Jumper Assembly	Lower
9	M413863	Network Capacitor Assembly	
10	44151801P	Heater Cable Set	H1-H3
	44151901P	Heater Cable Set	H4-H6
11	44150701P	Electric Configuration Harness	
12	44150901	Power Harness	3 Phase models with less than 380 Volts
	44151001	Power Harness	3 Phase models with 380 Volts or higher
	44139801P	Power Harness	1 Phase
13	44151101	Cable Set	CB1 Power; CE models
	44151201	Cable Set Assembly	CB2 Power; CE models
	44151301	Cable Set Assembly	CB3 Power; CE models
	44151401	Cable Set Assembly	CB2 to HC2
	44151601	Cable Set	PDB to HC1
	44151701	Cable Set	PDB to HC2
	44155301	Cable Set Assembly	CB3 to HC1
14	44152001	Network Capacitor Harness Assembly	

Control Tray Components for Non-CE Electric Models

Эл. Общест.

vsezip.ru

+7(812)987-08-81



TMB2966P_70421801

Control Tray Components for Non-CE Electric Models

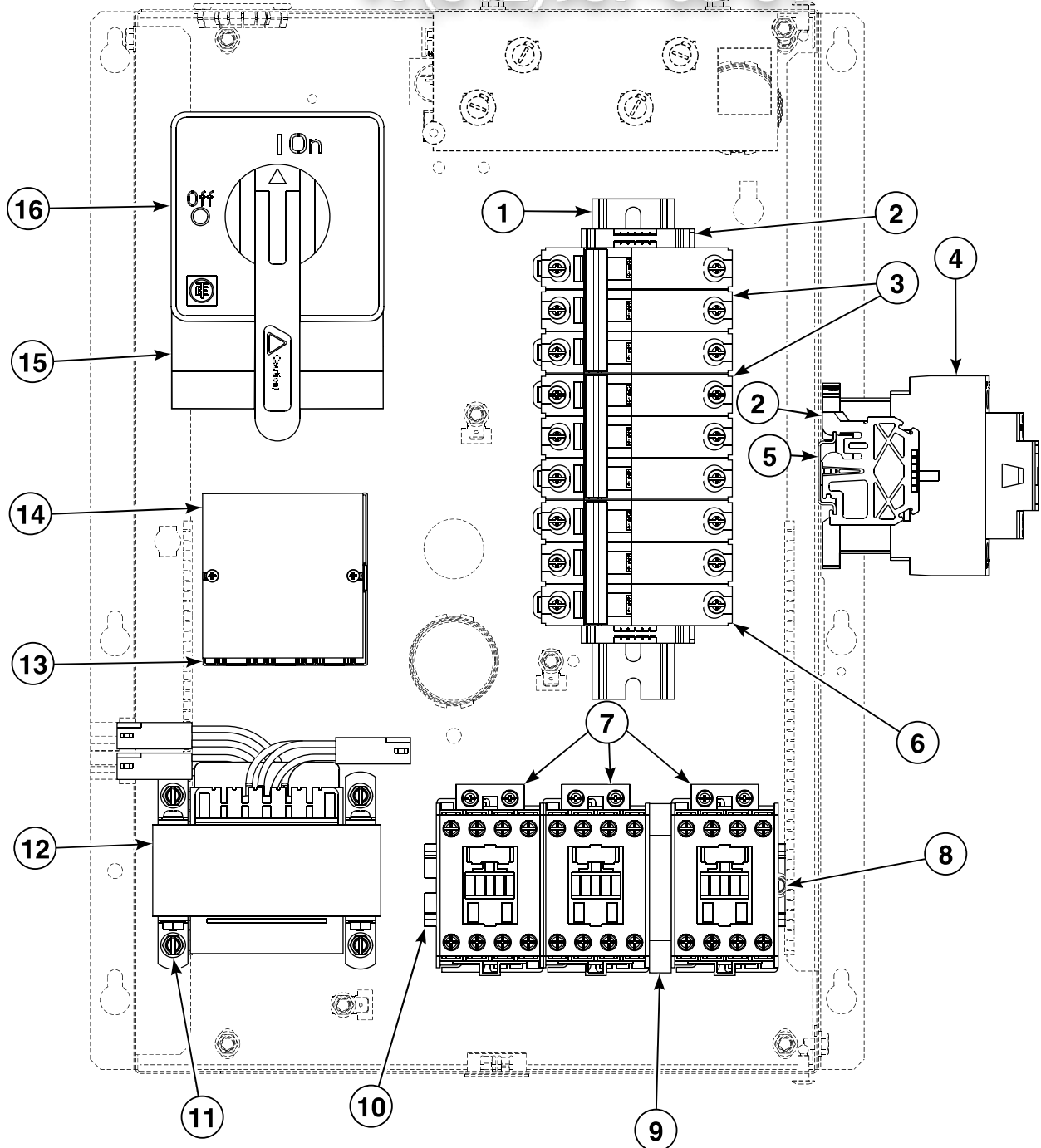
REF	PART NO.	DESCRIPTION	COMMENTS
1	44083001	Screw	240 Volt/50 Hertz/1 Phase; 2 required
2	430642	Terminal Block	240 Volt/50 Hertz/1 Phase; Use 70333001 Terminal Block Shield to protect terminal block
3	70121001	End Stop	2 required
4	M412690	Din Rail	
5	70343301P	Contactor	Models with 380 Volts or higher 1 required; models with less than 380 Volts 2 required
6	70323701P	Contactor	Nonreversing 1 required; reversing 3 required
7	430497	Screw	2 required
8	F330186P	Interlock Contactor	Reversing
9	M412693	Din Rail	
10	M411072	Screw	4 required
11	M414228P	Transformer	Multitap; 100-240 Volt
	M414229P	Transformer	Multitap; 380-480 Volt
	44074401	Transformer	Dual secondary; 440 Volt
12	M413865	Terminal Block	Use 39733 Screw to attach
13	44014901P	Power Distribution Block Cover	Mounts over top of item 12 for protection

Control Tray Components for CE Electric Models

Вип Обществ

vsezip.ru

+7(812)987-08-81



TMB2967P_70421801

Control Tray Components for CE Electric Models

REF	PART NO.	DESCRIPTION	COMMENTS
1	N/A	Din Rail	Use 2 of 430497 Screw to attach
2	70121001	End Stop	3 required
3	M412408P	Circuit Breaker	2 required for 230 Volt/50 Hertz/3 Phase
4	70343301P	Contactors	Models with 500 Volts or higher 1 required; models with less than 380 Volts 2 required
5	M412690	Din Rail	Use 2 of 430497 Screw to attach
6	M412407P	Circuit Breaker	
7	70323701P	Contactors	Nonreversing 1 required; reversing 3 required
8	430497	Screw	2 required
9	F330186P	Interlock Contactors	Reversing
10	M412693	Din Rail	Use 2 of 430497 Screw to attach
11	M411072	Screw	4 required
12	M414228P	Transformer	Multitap; 100-240 Volt
	M414229P	Transformer	Multitap; 380-480 Volt
	44074401	Transformer	Dual secondary; 440 Volt
13	M413865	Terminal Block	Use 39733 Screw to attach
14	44014901P	Power Distribution Block Cover	Mounts over top of item 13 for protection
15	M412367	Finger Guard	
16	70268001	Handle	44160801 Extension Handle attaches to operator handle; M412369 Interlock Door mounts under operator handle; Whole assembly mounts to M412186 Mounting Base which is attached with 2 of 33562 Screw

N/A = Part no longer available

Notes
Зип Общепит

vsezip.ru

+7(812)987-08-81

Parts Index

Зин Общепит

vsezi.ru

+7(812)900-08-81

A		M401000	81
		M401003	81
		M401011	81
		M401014	81
		M401021	81
		M401027	81
		M406184	81
Adjustable Buzzer		Burner Support	
505447	21	44110201	79
Air Filter		Bushing	
44104201	87	M412086P	67
Airflow Switch and Arm Bracket		M412885P	67
70319601	85	M412917P	67
Airflow Switch Arm		Bypass Harness	
70319401	85	70364103	47
Airflow Switch Vane			
70319201	85		
B		C	
Baffle		Cable Set	
44004901	59	44151101	105
44005201	59	44151601	105
44065501	59	44151701	105
Baffle Gasket		Cable Set Assembly	
70015701	59	44151201	105
Ball Bearing		44151301	105
M401375P	71	44151401	105
44041901P	63	44155301	105
Base Harness Assembly		Card Reader and Bracket Assembly	
44137501P	53	510068P	29
Bearing		Card Reader Overlay	
F100136P	63	70334201	29, 31
Bearing Retainer		70334301	29, 31
M401370	71	Circuit Board Support	
Belt		501523	15
M401182P	69	Circuit Breaker	
M412090	67	M412407P	109
M412981	67	M412408P	109
Belt Guard		Clip	
M413008	75	M400974	87
M413541	65	Coin Chute Assembly	
Belt Guard Assembly		70296401	59
44132401	69	Coin Cover Overlay	
44132402	67	70246301	27, 29
Belt Tension Tool Kit		Coin Drop	
M4853P3	65, 67, 69	38479P	33
Blower		38963P	33
44127401P	75	39748	33
Blower Inlet Cone		70256402P	33
70014101	57	70429001	33
Bolt		Coin Drop Assembly	
M400650	63	200578P	33
M401393	67, 75	210195	33
M405503	93	210196	33
Bracket		38462P	33
44065901	15	38463	33
Bumper		38464P	33
M400795	91	38467	33
Burner Assembly		38472	33
M410541	79	38475	33
Burner Orifice		38519	33
M400997	81	38521	33
M400998	81	39157	33

N/A items do not appear in index.

44039701P.....	33	Control Box Top	44062401.....	15
44039702.....	33	Control Chassis Mounting Bracket	70357901.....	17, 19
44039703.....	33	Control Conversion Kit	M4797P3.....	21
44039704.....	33	Control Door Assembly	70363401.....	17
44039705.....	33	Control Door Latch	431318.....	59
44039706.....	33	Control Harness	44100101P.....	19
44039707.....	33	Control Harness Assembly	44141601P.....	15
70281102.....	33	Control Housing Cover	70307001.....	13
70283102.....	33	Control Housing Cover	70307002.....	13, 41
Coin Drop Kit		Control Kit	512858P.....	37, 39
CK077.....	33	Control Kit	70228401P.....	25
Coin Drop Overlay		Control Overlay	70410001.....	37
39564.....	27	Control Overlay	70410002.....	37
Coin Drop Overlay Kit		Control Panel	44000117*P.....	49
70321201.....	27	Control Panel	44000118P.....	49
Coin Identification Paper		Control Panel	44040001*P.....	49
38725.....	33	Control Panel	44040002.....	49
Coin Vault Assembly		Control Panel	44040003*.....	49
70180101.....	59	Control Panel	44040004.....	49
Coin Vault Switch Harness		Control Panel Harness	70315601P.....	23
70364104P.....	47	Control Panel Harness	70335301P.....	25
Coin Vault Trim		Control Panel Harness	70341901P.....	21
70117501.....	47	Control Panel Harness	70342001P.....	21
70117502.....	47	Control Panel Harness	70358701.....	29
Communication Board		Control Panel Harness	70367001P.....	19
210095P.....	43	Control Panel Harness	70369001.....	17
Communication Connector		Control Panel Harness	70382701P.....	25
210099.....	43	Control Panel Harness	70398401.....	17
Communication Wire Harness Assembly		Control Panel Harness	70410401P.....	37, 39
800246.....	41	Control Panel Harness	70429101P.....	27, 29
Cone Plate		Control Panel Harness	70429201P.....	27
44150201.....	57	Control Panel Harness Assembly	70315701.....	23
Contact Block Switch		Control Panel Harness Assembly	70341801P.....	21
F200233401.....	45	Control Plate Assembly	44040901.....	21
Contact Switch		Control Plate Assembly	44041001.....	21
F8069501.....	45	Control Plate Assembly	70175805.....	25
Contactactor		Control Plate Assembly	70348801.....	29, 31, 39
70323701P.....	101, 103, 107, 109	Control Plate Assembly	70360601.....	19
70343301P.....	107, 109	Control Plate Kit	44050701P.....	23
Contactactor Box Base		Control Plate Kit	70291001P.....	27, 29, 37
44133701.....	95	Control Trim	44016301.....	47
Contactactor Box Cover		Control Trim	44016401.....	47
44134001.....	95	Cover Plate	M401362.....	75
44134002.....	95	Cylinder and Trunnion Assembly	44057401P.....	63
44134003.....	95	Cylinder and Trunnion Assembly	44057402P.....	63
Contactactor Box Side		Cylinder and Trunnion Assembly	44057403.....	63
44158901.....	95	Cylinder and Trunnion Assembly	44057404.....	63
44159001.....	95	Cylinder and Trunnion Assembly	44089101.....	63
Control				
44063801P.....	15			
Control Assembly				
44013601P.....	25			
511867P.....	27, 29			
512202P.....	19			
513139P.....	17			
Control Box Assembly				
44180101.....	13			
Control Box Base				
44065301.....	15			
Control Box Cover				
44065201.....	15			
Control Box Housing				
44065101.....	15			

N/A items do not appear in index.

44131002	63	Double V Sheave	
44131102	63	M412916	67
Cylinder Assembly		Drive Rivet	
44089001	63	M400713	15
44130801	63	Drum and Wheel Assembly	
Cylinder Kit		M430619	73
44057001P	63		
44057101P	63		
Cylinder Motor Harness			
44137101P	65		
44139701P	65		
<hr/>			
D			
Deflector Cover		Earth Terminal Sticker	
44162301	57	M412096	95
Din Rail		Elbow	
M412690	107, 109	70079601	79
M412693	101, 103, 107, 109	Electric Accessory Box Cover	
Display Assembly		44154901	83
512218P	19	Electric Accessory Box Wrap	
Door Assembly		44154701	83
44028902P	61	Electric Configuration Harness	
44029101	61	44150701P	105
44058102P	61	Electric Contactor Jumper Set Harness	
44112101	61	70355801P	105
70407401	61	Electronic Coin Drop Assembly	
Door Glass		70294101P	33
44008401P	61	70294103P	33
44008402P	61	70294104	33
Door Glass Installation Tool		70294105P	33
M4221P4	61	70294106	33
Door Handle		70294107	33
44007901	61	70294109	33
44057702	61	70294111	33
Door Hinge Assembly		Electronic Coin Drop Harness	
44075203*	61	44065801	33
44075204	61	Electronic Coin Drop Kit	
44075208B	61	CK095	35
Door Hinge Cam Assembly		CK099	35
70436101	61	CK100	35
70436102	61	CK101	35
70436201	61	CK103	35
70436202	61	CK106	35
Door Hinge Lug Assembly		CK108	35
44035001	47, 61	CK109	35
44035002	61	CK502	35
Door Latch		Electronic Control	
M401223	47	44037801P	21
Door Ring		44051001P	23
44007703B	61	Emergency Stop Contact Harness	
Door Ring and Handle Assembly		70364105P	45
44112001	61	Emergency Stop Harness	
Door Ring Assembly		70364106P	45
44007702	61	Emergency Stop Label	
Door Ring Gasket		M412235	45
44008201P	61	Emergency Stop Pushbutton	
Door Seal Kit		F200233500	45
70211902P	61	End Stop	
Door Switch Actuator Kit		70121001	107, 109
70215001P	61	Exhaust Thimble Assembly	
Door Switch Harness		M412288	91
44137601	47	Expansion Clip	
		70030501	47, 95
		Extension Spring	
		M412120	69

N/A items do not appear in index.

F

Fan Motor	
44045901P.....	77
44046001P.....	77
Fan Motor Harness	
44137201P.....	75
44169901.....	75
Fan Motors69	
Felt Pad	
M402144.....	63
Ferrite Core Assembly	
M413930P.....	25
Fill Hose Kit	
28330P.....	15
Filter	
44172001.....	87
Finger Guard	
M412366.....	101, 103
M412367.....	109
Fire Suppression System Label	
44128901.....	51
Foam Gasket	
70414101.....	17, 19, 21, 23, 25, 27, 29, 31, 37, 39
Front Panel Assembly	
44077901*P.....	51
44077902P.....	51
44077903*.....	51
44077904P.....	51
44077905*P.....	51
44077906P.....	51
44077907*P.....	51
44077908.....	51
Front Pillar	
44001201.....	53
Fuse	
M413621.....	97
70406501.....	25, 97
70406601.....	97
70406701.....	97
Fuse Bracket	
70306901.....	97
70313602.....	97
Fuse Cover	
70313301.....	95
Fuse Holder	
44155601.....	97
Fuse Holder Body	
70329401P.....	97
Fuse Holder Cap	
70329501.....	97
Fuse Label	
70337201.....	95
70337301.....	95
70337401.....	95

G

Gas Disconnect Harness	
70342101.....	99
Gas Stove Assembly	
44136001.....	79

Gas Valve

M413468P.....	79
44154501P.....	79
44154502P.....	79
44178301P.....	79
44178302P.....	79
44181601P.....	79
44181602.....	79
44175701.....	79
Gas Valve Bracket	
44175701.....	79
Gas Valve Harness Assembly	
M412997.....	79
M413650.....	79
Graphic Overlay	
44050401.....	23
44050501.....	23
44050502.....	23
Ground Decal	
F230739.....	95
Ground Lug Connector	
M411283.....	95
Guide Rail	
M412476.....	67, 69, 73

H

Handle	
M412208.....	101, 103
70268001.....	109
Handle and Caps Assembly	
70154405.....	55
70154406.....	55
Handle Bar	
70399501B.....	61
Handle Bumper	
70407202.....	55
Heater Box Cover	
44153301.....	83
Heater Cable Set	
44151801P.....	105
44151901P.....	105
Heater Element	
M410939P.....	83
M410940P.....	83
M410941P.....	83
M412955P.....	83
Heater Side	
44154801.....	83
High Temperature Ignition Lead	
44061602P.....	79
Hold-Down Clip	
35865.....	57
Hole Plug	
F8223801.....	95
Hose	
44073301.....	15
Hose Clamp	
36801.....	15
Hose Fitting	
44069101.....	15
Housing and Trunnion Assembly	
M4644P3.....	63
M4645P3.....	63

N/A items do not appear in index.

vsezip.ru

+7(812)94708-81

I			
Idler Housing			
M412612	71		
Idler Housing Kit			
917P3	71		
943P3P	73		
Idler Shaft			
M414241	71		
Idler/Belt Assembly Kit			
942P3P	73		
Ignition Control			
70367301P	101		
70367401P	101		
Ignition Control Harness			
44136501	99		
44136601P	99		
Insulation			
44020601	49		
Interlock Contactor			
F330186P	101, 103, 107, 109		

J			
Jumper Bar			
M400866	83		
Jumper Calibration Wire			
70084304	25		
70084305	25		
70324604	17, 19, 23, 27, 29, 37, 39		
Jumper Configuration Assembly			
M413507	99, 105		
M413510	99, 105		
Jumper Harness Assembly			
M413506	99, 105		
M413508	99, 105		
M413509	105		
Jumper Set Assembly			
44042701	21		
44042801	21		
Jumper Strip			
M400869	83		
Jumper Wire			
44014501	105		
Jumper Wire Assembly			
M412287	83		
Junction Box Harness			
44136701P	99, 105		

K			
Key			
M400008	63, 69		
M400993	71, 75		
M400994	75		
M401327	69, 71, 73		
M405232	63		
44132301	75		
70155601	15, 47		
70155602	47		

L			
Latch Mounting Bracket			
4400320	59		
Light			
801431	17		
801432	15		
Limit Thermostat			
M409433	79		
M410542	57, 83		
M411813	57		
Lint Panel			
44000001*P	55		
44000002P	55		
Lint Panel Switch Bracket			
44118601	53		
Lint Screen			
44063601	57		
Lint Screen Deflector			
44162201	57		
Loading Spring			
M400401	71		
Lock, Key and Nut Kit			
44089301P	15, 47		
44089302P	47		
Low Pressure Steam Cover			
M400828	87		
L.P. Conversion Kit			
M4544P3	79		
M4979P3	79		
L.P. Gas Valve Kit			
M4897P3	79		

M			
Main Harness			
44137401P	13		
Male Tab Terminal			
00177	17, 19, 21, 95		
Manifold Pipe			
44040501	79		
Manifold Pipe Assembly			
M406681	79		
Manual Reset Thermostat			
M411938	79		
M411941	57		
Membrane Switch			
44037902P	21		
44039402P	21		
Micro V Belt			
M411425P	69		
Micro V Pulley			
M411466P	73		
Micro V Sheave			
M412156	69		
Mixing Valve			
36958P	15		

Зип Об'єкти
vsezip.ru
+7(812)987-08-81

P

Panel Locator 56079	47, 55	Reversing Contactor Jumper Assembly 4413301	99, 105
PC Board Standoff 210098	43	44136901	99, 105
Pipe Bracket 44175801	95	Reversing Contactor Jumper Wire 44157401	99, 105
Pipe Clamp 44155201	79	Rib Rod M401411	63
Pipe Nipple 431486	79	Ring M400599	69, 73
70210201	79	Rocker Switch 44099601	19
Plug M400985	95	70360801	19
Pop Rivet M400003	47, 59	70365901	17, 19
70058501	61, 95	Roller Catch Arm 70030301	55
70058502	95	Roller Catch Spacer 70030201	55
70126301	55, 61	Roller Catch Wheel 70297601	55
70126401	55	Rotation Sensor 70274001P	89
Porcelain Touch-Up Paint 122P4P	59	Rotation Sensor Assembly 70417401P	89
370P4P	59	Rotation Sensor Cable Assembly 70274102P	89
Power Distribution Block Cover 44014901P	107, 109		
Power Harness 44136201P	99		
44136301P	99		
44139801P	99, 105		
44150901	105		
44151001	105		
Proximity Bracket 44044501	89		
Pulley M412884	67		
M414564	75		
M414565	65		
M414566	75		
M414567	65		
Pushbutton Switch M413431	101		
70107001	27, 29, 31, 37, 39, 47, 53		
Push-to-Start Switch 801434W	15		

R

Rear Access Plate 44136101	79
Rear Panel Assembly 44170401	59, 85, 93
44171101	59, 85, 93
Relay/Buzzer Bracket 44041701	21
Resilient Ring Kit M4525P3P	75
Reversing Contactor Harness 44139601P	99, 105
Reversing Contactor Jumper 44139501	99, 105

S

Screw F430903	95
F8206901	95
M400043	67, 69, 73
M400044	61
M400056	65, 73
M400057	65, 67, 75
M400061	67, 69
M400063	63
M400065	69, 73
M400077	73, 75
M400661	61
M402797	79
M405188	87, 91
M410059	75
M411072	47, 91, 101, 103, 107, 109
M412627	67, 69, 73
M413565	65
22688	65
33562	83, 87
38272	101
430497	15, 41, 53, 57, 75, 79, 83, 85, 87, 101, 103, 107, 109
430648	73
430757	55, 85
431287	59
44083001	101, 103, 107
501524	17, 19, 27, 29, 31, 37, 39
51780	15
61199	61
70033502	47, 61
70069901	17, 19, 25
70072801	55
70132301	55
70182601	47
70187201	63, 71
70240301	79, 83
70247701	59

N/A items do not appear in index.

70275801	47	Switch Plate	
70409801	61	M413236	19
70442101	61		
Sensor Harness Assembly			
44141701P	15		
Shadow Box Clip			
M400972	47	Temperature Knob	
Sheave Kit		44104601	17, 19
44086901P	39, 43	Temperature Selector Bracket	
Side Panel		70350201	17
44056701*	59	Temperature Selector Switch	
Side Panel and Bracket Assembly		511711	17, 19
44056801*	59	Temperature Selector Switch Bracket	
Single V Sheave		70391701	19
M412931	67	Tension Plate Assembly	
Sleeve		M414405	67, 69, 73
44050601	23	Terminal Block	
Slot Card Plate Assembly		M413865	107, 109
44089501	31, 39	430642	101, 103, 107
Snap Bushing		Thermistor	
M400770	41, 53	M414704	57
M405340	95	44064701	15
M411826	53	Thimble Vane Assembly	
44071501	95	M400503	91
70178701	15, 95	Top Cover	
Solenoid Valve DIN Connector		M414759	87
70370301P	87	44139301	59
Spacer		Top Cover Pan	
M401402	63	44135001P	59
44024001	67	Top Panel Bracket	
Spark Igniter		44129401	59
M406934P	79	Top Rear Panel	
Spray Paint		44170501	59
298P4P	59	44176201	59
Spud Holder Assembly		Transformer	
M410546	79	M414228P	101, 103, 107, 109
Steam Coil		M414229P	101, 103, 107, 109
M400637P	87	M414230P	101, 103
Steam Configuration Harness		M414312P	101, 103
44142801	99	44074401	101, 103, 107, 109
Steam Heater Assembly		Trunnion and Bearing Assembly	
44020401P	87	M4640P3	63
Steam Pressure Label		M4641P3	63
902303	87	Trunnion Assembly	
Steam Solenoid		M413836	63
70351011P	87	Trunnion Housing	
70351012	87	M413826	63
Steam Stand Box		Trunnion Housing Assembly	
44007501	87	M413832	63
Steam Stove Limit Bypass Harness		Trunnion Kit	
70389901	99	M413835P	63
Steam Valve		Tumbler Dolly Kit	
70351001P	87	M4379P4	47
70351002P	87		
Steam Valve Rebuild Kit			
70351021P	87		
Switch			
70411901	85		
Switch Bracket			
70356301	83, 85		
Switch Hole Plug			
44057801B	47		
44057801Q	47		
44057801W	47		

N/A items do not appear in index.

W

Warning Label

M410892 51

Washer

M400013 65, 67, 75

M400014 67, 69, 75, 93

M400080 65, 67, 69, 73, 75, 93

M400991 75

M403958 65, 67, 69, 73

M412188 67, 69, 73

Q6712 63

02834 65

20103 63

70265901 73

70270301 73

70409301 61

91200 63

Wire Guard

201595P 33

Wire Label

70218701 95

70218801 95

70219001 95

Notes
Зип Общепит

vsezip.ru

+7(812)987-08-81