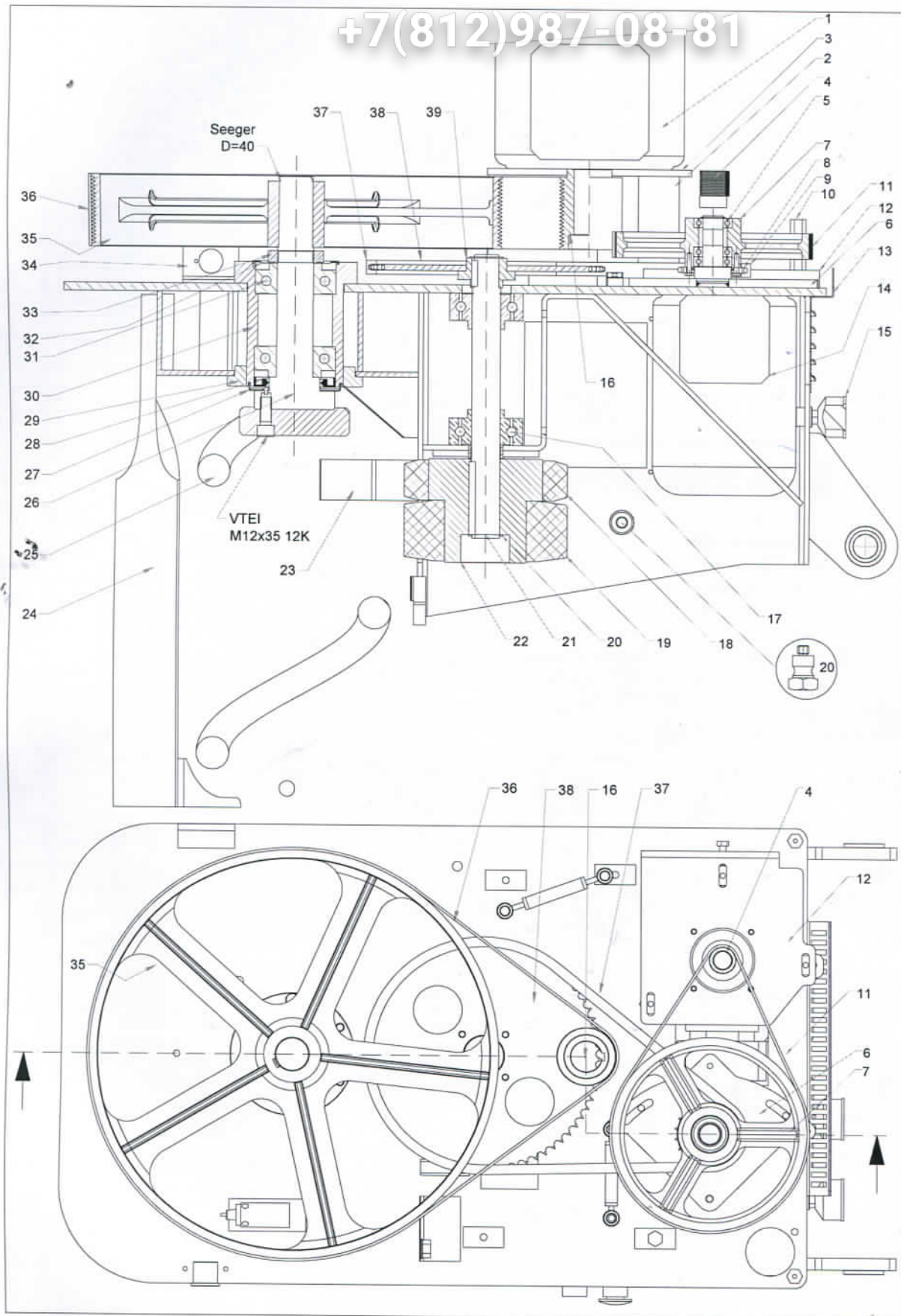


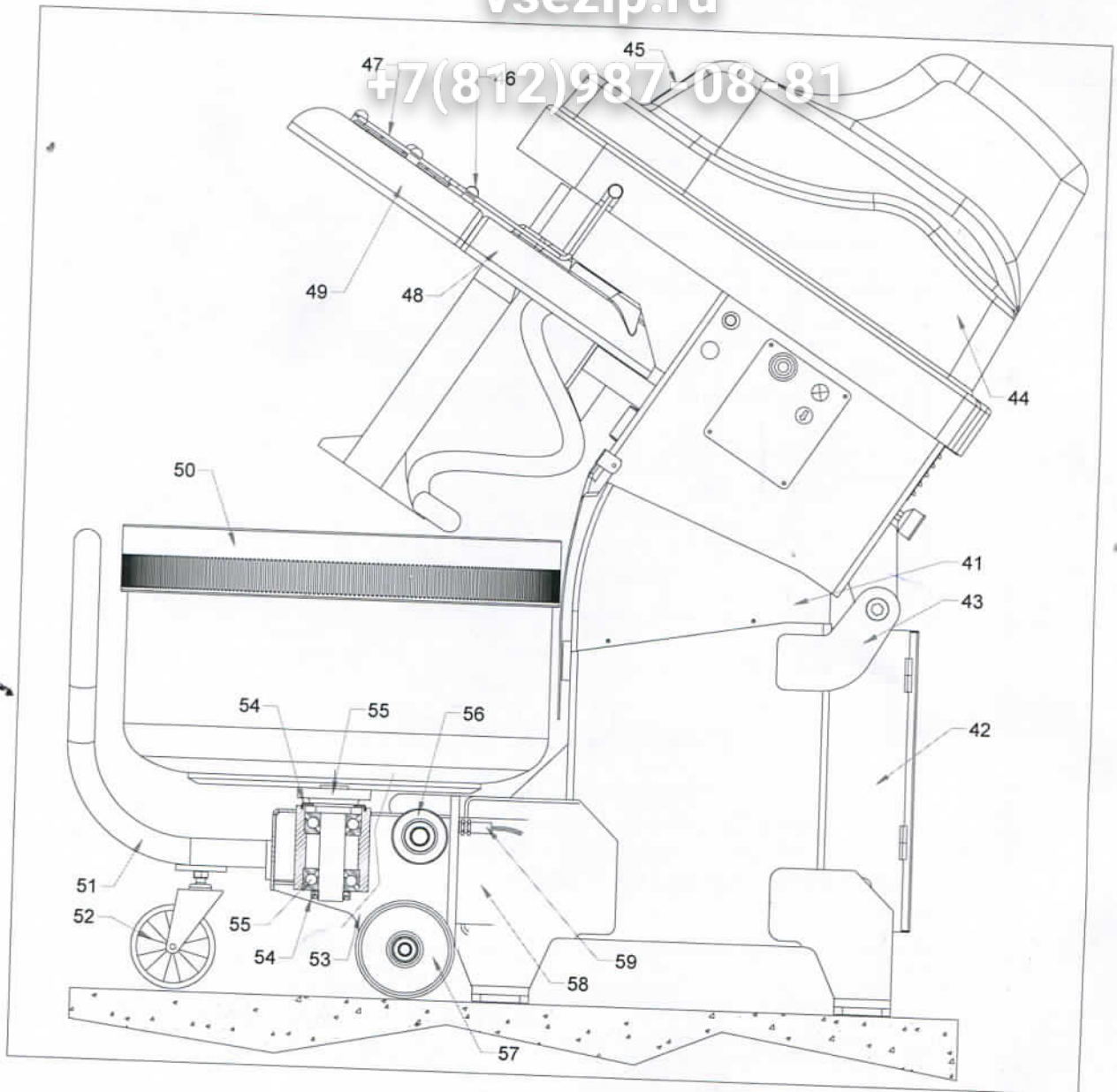
APPENDIX 5: EXPLODED VIEW OF THE MACHINE AND PARTS LIST



Зип Ощепит

vsezip.ru

+7(812)987-08-81



Pos.	QTY	PART NO.	DESCRIPTION
1	1	E00635	MOTOR - G132 4/8 Poli 8/4 KW
2	4	113030	SUPPORT FOR MOTOR PLATE
3	1	231016	MOTOR PLATE- GR 132
4	1	183070	PULLEY FOR BOWL MOTOR
5	3	C01274	BEARING - 6005 25-47-12
6	1	216093	BOWL TRANSMISSION ASSEMBLY
7	1	180048	PULLEY FOR BOWL TRANSMISSION
8	1	157011	PLATE WHEEL FOR BOWL TRANSMISSION
9	1	C01298	CHAIN - 1/2X5/16
10	2	186104	RESTING BLOCK FOR PROTECTIVE COVER
11	1	C01168	BELT - POLY - V 13 J 914
12	1	191089	SLIDING PLATE FOR BOWL MOTOR
13	1	208112	REAR HEAD COVER
14	1	E00822	BOWL MOTOR
15	2	C01138	GREASER - STAUFFER 6X1/4
16	1	183073	PULLEY FOR 50 HZ MOTOR
17	2	C00250	SUPPORT - UCFA 207
18	1	C01153	RUBBER RING - 200X50X140
19	1	C01154	RUBBER RING - 200X75X100
20	2	186096	PIN FOR TIE-ROD
21	1	100070	BOWL TRANSMISSION SHAFT
22	1	163029	CORE FOR BOWL FRICTION WHEEL
23	2	113031	BOWL GUIDE - 80
24	1	177030	BREAKING COLUMN
25	1	220031	SPIRAL TOOL - 80-120
26	1	100091	SPIRAL TOOL SHAFT
27	1	108007	COVER
28	1	C00093	SEALING RING - 62X100X12
29	1	104017	FLANGE FOR SPIRAL BUSH
30	1	163028	SPIRAL BUSH
31	2	C01176	BEARING - 32309 045-00-38.25
32	1	C01181	RING - NILOS AV6409
33	1	107003	RADIAL LOCK NUT - M45X1.5
34	1	100073	POLE FOR MOBILE BOWL COVER IN ABS PLASTIC
	2	234037	SUPPORT FOR MOBILE BOWL COVER IN ABS PLASTIC
35	1	180049	PULLEY FOR SPIRAL TOOL
36	1	C01190	BELT - POLY V 18L-1765
37	1	C01299	CHAIN
38	1	157013	PLATE WHEEL FOR BOWL TRANSMISSION - Z 70
39	1	163024	HUB FOR BOWL TRANSMISSION PLATE WHEEL
41	1	208111	INNER PLASTIC PROTECTIVE COVER
42	1	138004	UNIT CONTAINING ELECTRICAL PANEL
43	2	191093	RIGHT HINGE FOR MACHINE BASE
		191094	LEFT HINGE FOR MACHINE BASE
44	1	125063	HEAD COVER - 80 120
45	-	-	-

POS.	QTY	PART NO.	DESCRIPTION
46	4		UPPER BLOCK FOR FASTENING PROTECTIVE GRILL TO MOBILE BOWL COVER IN ABS PLASTIC - D=08
	4		LOWER BLOCK FOR FASTENING PROTECTIVE GRILL TO MOBILE BOWL COVER IN ABS PLASTIC - D=08
47	1	202098	PROTECTIVE GRILL FOR 80 KG MOBILE BOWL COVER IN ABS PLASTIC
		202096	PROTECTIVE GRILL FOR 120 KG MOBILE BOWL COVER IN ABS PLASTIC
48	1	205059	FIXED BOWL COVER IN ABS PLASTIC FOR 80 KG MODEL
	1	205057	FIXED BOWL COVER IN ABS PLASTIC FOR 120 KG MODEL
	1	205039	FIXED BOWL COVER IN STAINLESS STEEL FOR 80 KG MODEL
	1	205047	FIXED BOWL COVER IN STAINLESS STEEL FOR 120 KG MODEL
48 a			Fastening method for mobile bowl cover in ABS plastic with protective grill: See pos. no. 34 and no. 46
	2	118078	Fastening method for stainless steel mobile bowl cover: ARM FOR STAINLESS STEEL BOWL COVER – 80-120 KG MODELS
	2	C01209	GAS STRUT
49	1	202094	MOBILE BOWL COVER IN ABS PLASTIC FOR 80 KG MODEL
	1	202090	MOBILE BOWL COVER IN ABS PLASTIC FOR 120 KG MODEL
	1	202052	MOBILE COVER IN STAINLESS STEEL FOR 80 KG MODEL
	1	202077	MOBILE COVER IN STAINLESS STEEL FOR 120 KG MODEL
50	1	261056	BOWL FOR 80 KG MODEL
	1	261054	BOWL FOR 120 KG MODEL
51	1	167001	BOWL TROLLEY HANDLE FOR 80 KG MODEL
		167002	BOWL TROLLEY HANDLE FOR 120 KG MODEL
52	1	C01142	REVOLVING SUPPORT WITH WHEEL
54	1	107003	RADIAL LOCK NUT - M45X1.5
55	2	C01176	BEARING - 32309 045-100-38.25
56	1	186103	PIN FOR BOWL TROLLEY GUIDE WHEELS
	2	200014	ROLLER TO CENTRE BOWL TROLLEY
	4	C01222	IRON BUSH - 30-35-30
57	1	186102	PIN FOR FIXED BOWL TROLLEY WHEELS
	2	C01175	POLYURETHANE WHEEL - 175X40
58	1	346000	MAGNET ASSEMBLY
59	1	E00844	INDUCTIVE SENSOR - AECO SI18AO-A5 20-250VAC NO