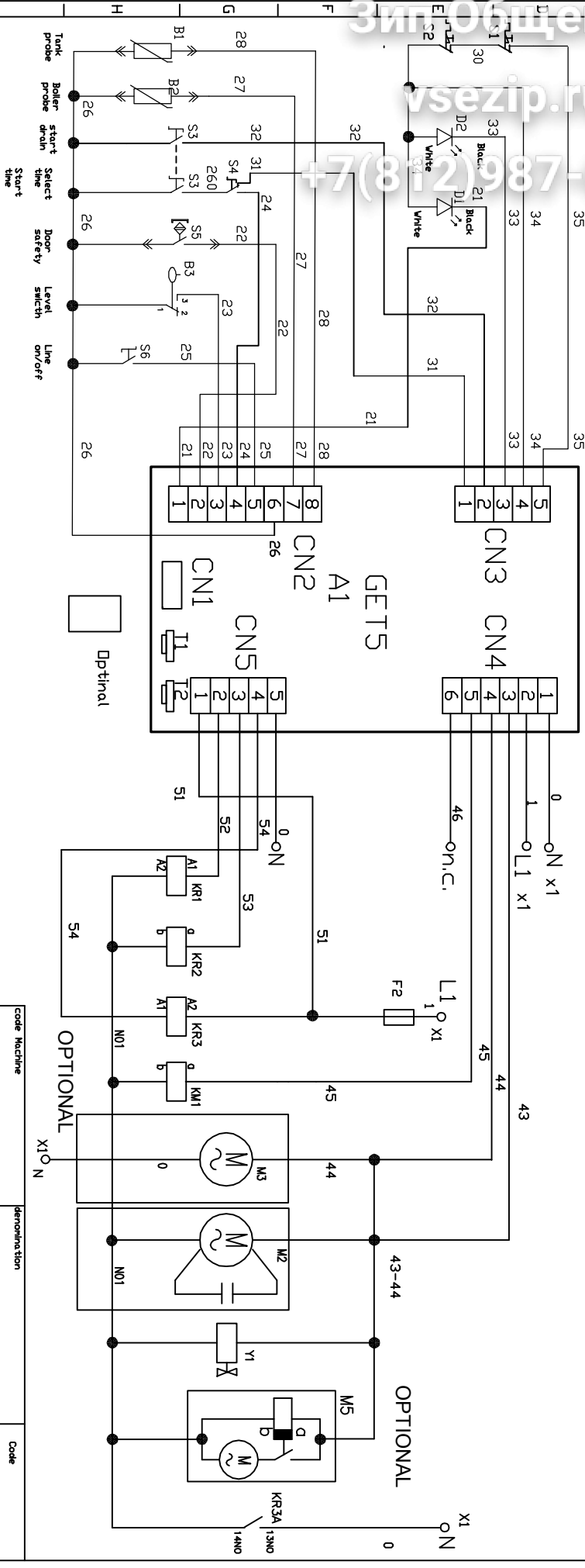
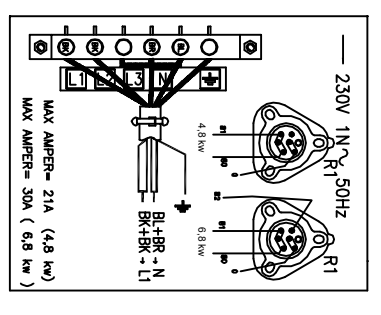
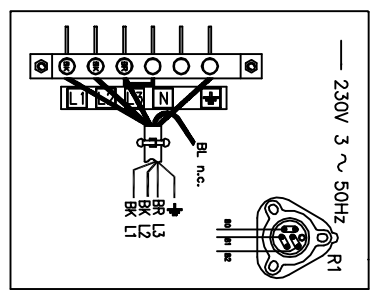
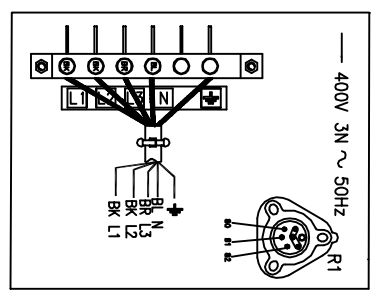
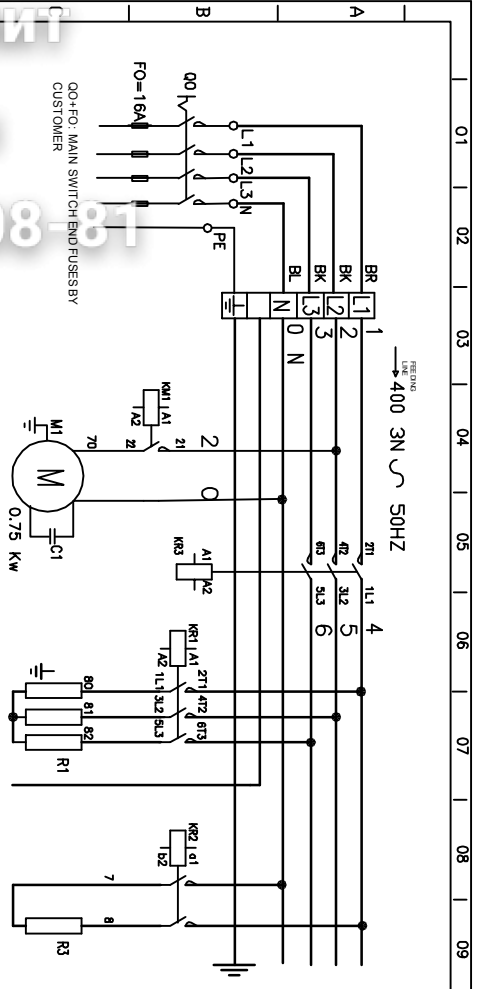
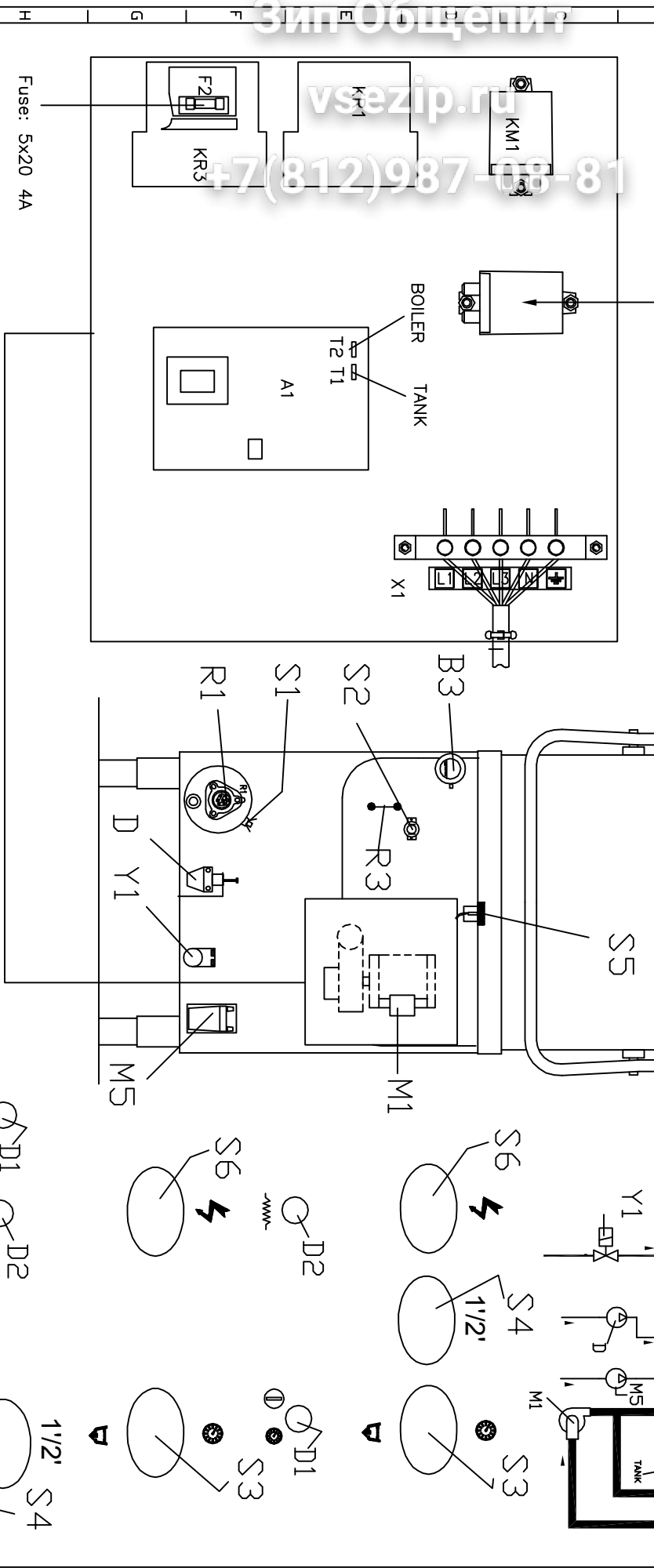
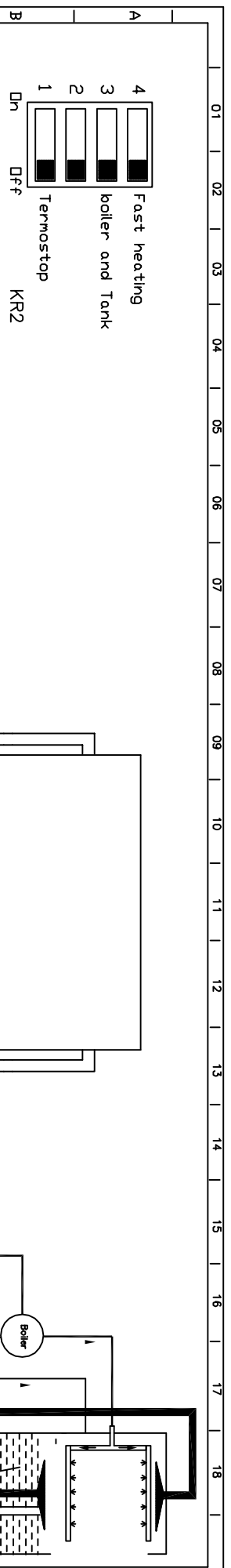


Зип Общениг
 vsezip.ru
 +7(812)987-08-81



DESCRIZIONE		SUSTITUISCE		DATA	
-1		agglunto layout fast			
Code Machine		determination		Code	
re-examined	date	re-examined	date	WIRING DIAGRAM	
15/02/05		15/02/05			
inspected by	date	inspected by	date	Dishwashers	
				total B1GT	1
validated by	date	validated by	date	next B1GT	-2
n°/file		mod		81402-1	



Code Machine

Re-examined

Inspected by

Validated by

Date/Date

Date/Date

Date/Date

Date/Date

Date/Date

Date/Date

Date/Date

Date/Date

Date/Date

Demolition

WIRING DIAGRAM

Dispatchers

Total Bldg

N° Bldg

Next Bldg

-3

2

3

Codice

n°/file

81402

-1

mod

1/2'

S4

S3

S6

3

2

-3

2

3

1/2'

S4

S3

S6

01	02	03	04	05	06	07	08	09	10	11	12	13	14	15	16	17	18
S6	PULSANTE DI LINEA	INTERRUPTEUR DE LIGNE															
S5	MAGNETIC SAFETY SWITCH	MAGNETISCHER SICHERHEITSSCHALTER															
S3	INTERUTTORE DI CICLO	INTERUPTEUR DE DEMARAGE															
S4	SOLE SWITCH	WASCHVORGANGSSCHALTER															
S2	SELETORE CICLO	SELECTEUR CYCLE															
S2	TERMOSTATO SICUREZZA BOILER	WÄRMESCHALTER FÜR WÄRMEBOILER															
S2	SAFETY BOOSTER HEATER THERMOSTAT	THERMOSTAT DE SÛRÛRTE DU BOYLER															
S1	TERMOSTATO SICUREZZA VASCA	THERMOSTAT DE SÛRÛRTE CUVE															
S1	SAFETY TANK HEATER THERMOSTAT	SICHERHEITS- TANKTHERMOSTAT															
R3	RESISTENZA VASCA LAVAGGIO	RESISTANCE CUVE DE LAVAGE															
R3	WASH TANK HEATING ELEMENT	WASCHTANKHEIZUNG															
R1	RESISTENZA BOILER	RESISTANCE BOYLER															
R1	BOILER HEATER HEATING ELEMENT	BOILERHEIZUNG															
M3	ELETTROPOMPA SCARICO																
M3	DRAIN PUMP																
M2	ELETTROPOMPA ALIMENTO PRESSIONE	ELECTROPOMPE ALIMENT PRESSION															
M2	H.M.E BOOSTER PUMP	DRUCKSTÛBERUNGSPUMPE															
M5	ELETTRODOSATORE DEIENSIVO	DOSEUR EL. DETERGENT															
M5	EL. DETERGENT INJECTOR	SPÜEL MITTELDOSEBEREITER															
M1	ELETTROPOMPA LAVAGGIO	ELECTROPOMPE LAVAGE															
M1	WASH ELECTRIC PUMP	ELEKTRISCHE WÄSHPUMPE															
KR3	TERMINATORE SICUREZZA	CONTACTEUR RESISTANCE BOYLER															
KR3	SAFETY HEATER CONTACTOR	LUFTSCHUTZ F. BOILERHEIZUNG															
KR1	TERMINATORE RESISTENZA BOILER	CONTACTEUR RESISTANCE BOYLER															
KR1	BOILER HEATER CONTACTOR	LUFTSCHUTZ F. BOILERHEIZUNG															
KR2	TERMINATORE RESISTENZA VASCA																
KR2	TANK HEATER CONTACTOR																
KM1	ELETTRORELETTORIPOMPA LAVAGGIO	CONTACTEUR ELECTROPOMPE LAVAGE															
KM1	WASH PUMP CONTACTOR	SCHUTZ F. WÄSHPUMPE															
Y1	ELETTROVALVOLA RISCARICO	ELECTROVANNE DE RINÇAGE															
Y1	RINSE SOLENOID VALVE	MAGNETVENT FÜR NACHSPÜELUNG															
D1	LAMPADA SPA DI CICLO	LAMPE TEMON DE LIGNE															
D1	ON LE PILOT LAMP	NETZKONTROLLLAMPE															
D2	LAMPADA SPA MACCHINA PRONTA	TEMON MACHINE PRETE A L'EMPLOY															
D2	READY PILOT LAMP	MACHINE BETRIEBSBEREIT-KONTROLLLAMPE															
C1	CONDENSATORE	KONDENSATOR															
C1	CONDENSATOR																

HV
81395

DESCRIZIONE	SUBSTITUISCE	DATA

code Machine	denomination	Code
re-examined	WIRING DIAGRAM	
inspected by	Disassemblers	n°/file
date	TOTAL DICT N° DICT	81402
date	Next DICT	-1
validated by	3	
	1	
	-2	