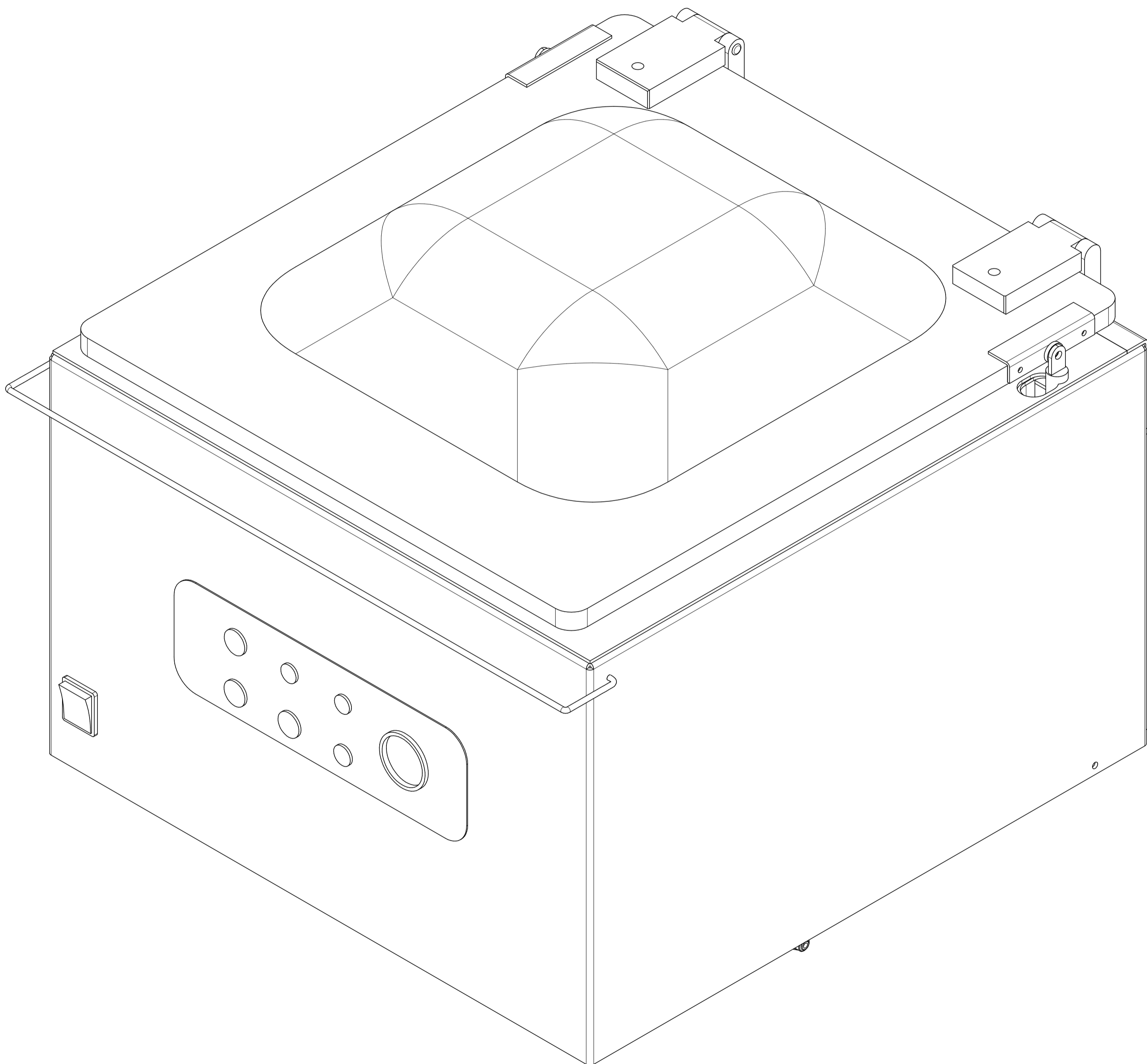


Зип Общежит

vsezip.ru

+7(812)987-08-81

# **AUTOMATIC TABLE TOP MACHINE**

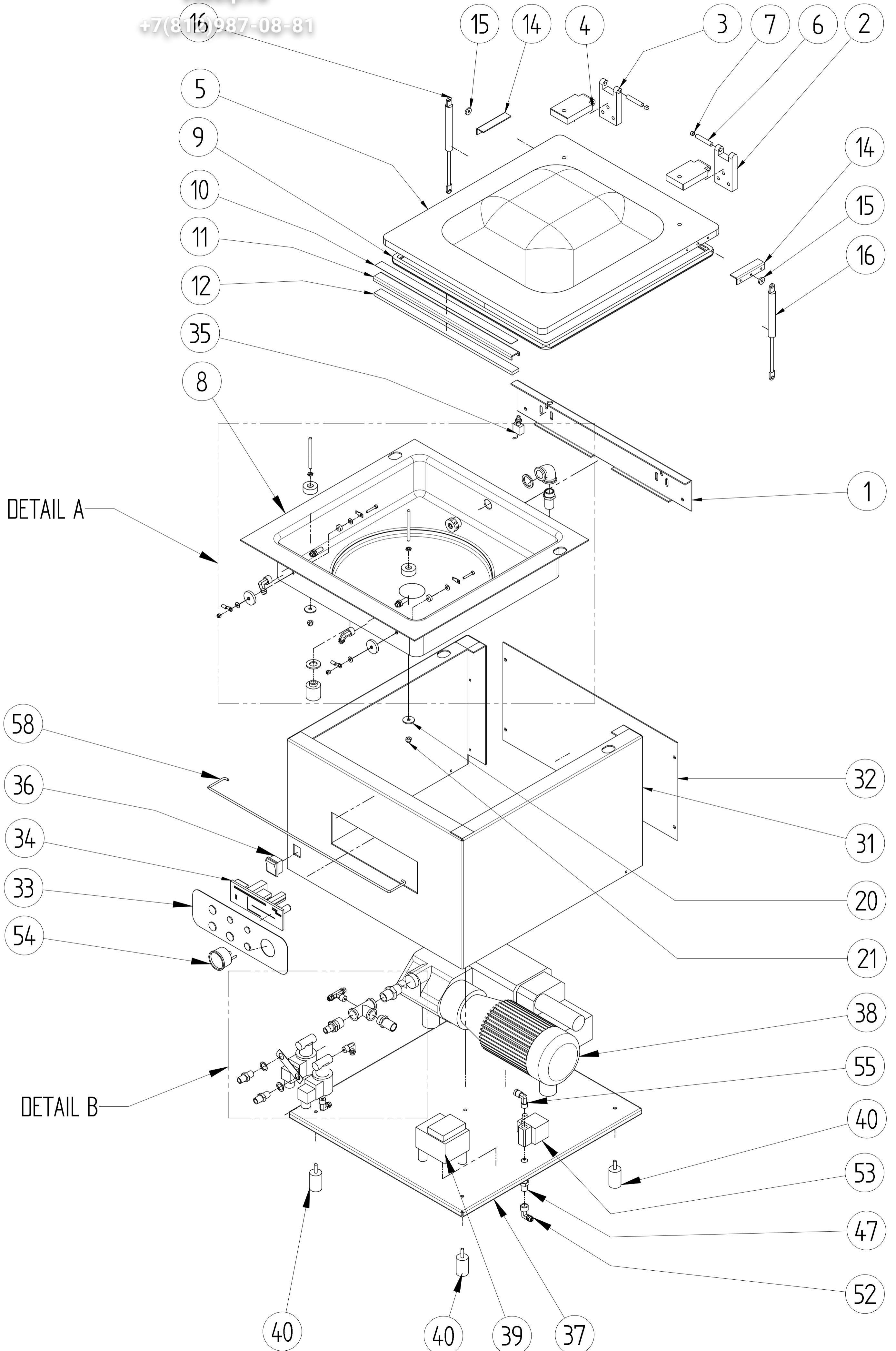


# GENERAL EXPLODED VIEW

3мп/Общедет

vsezip.ru

+7(816)987-08-81



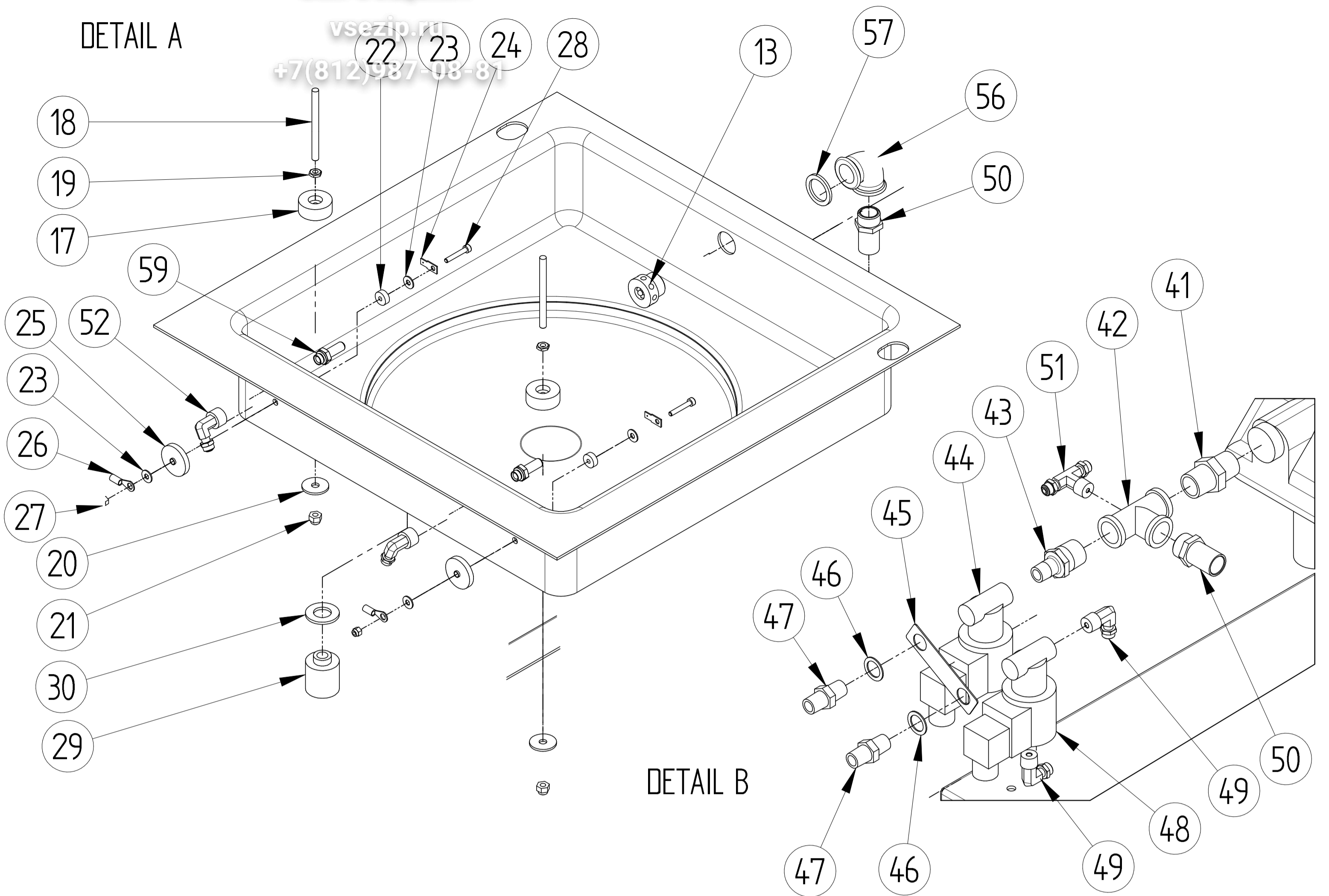
# DETAILS

Зип Общежит

vsezip.ru

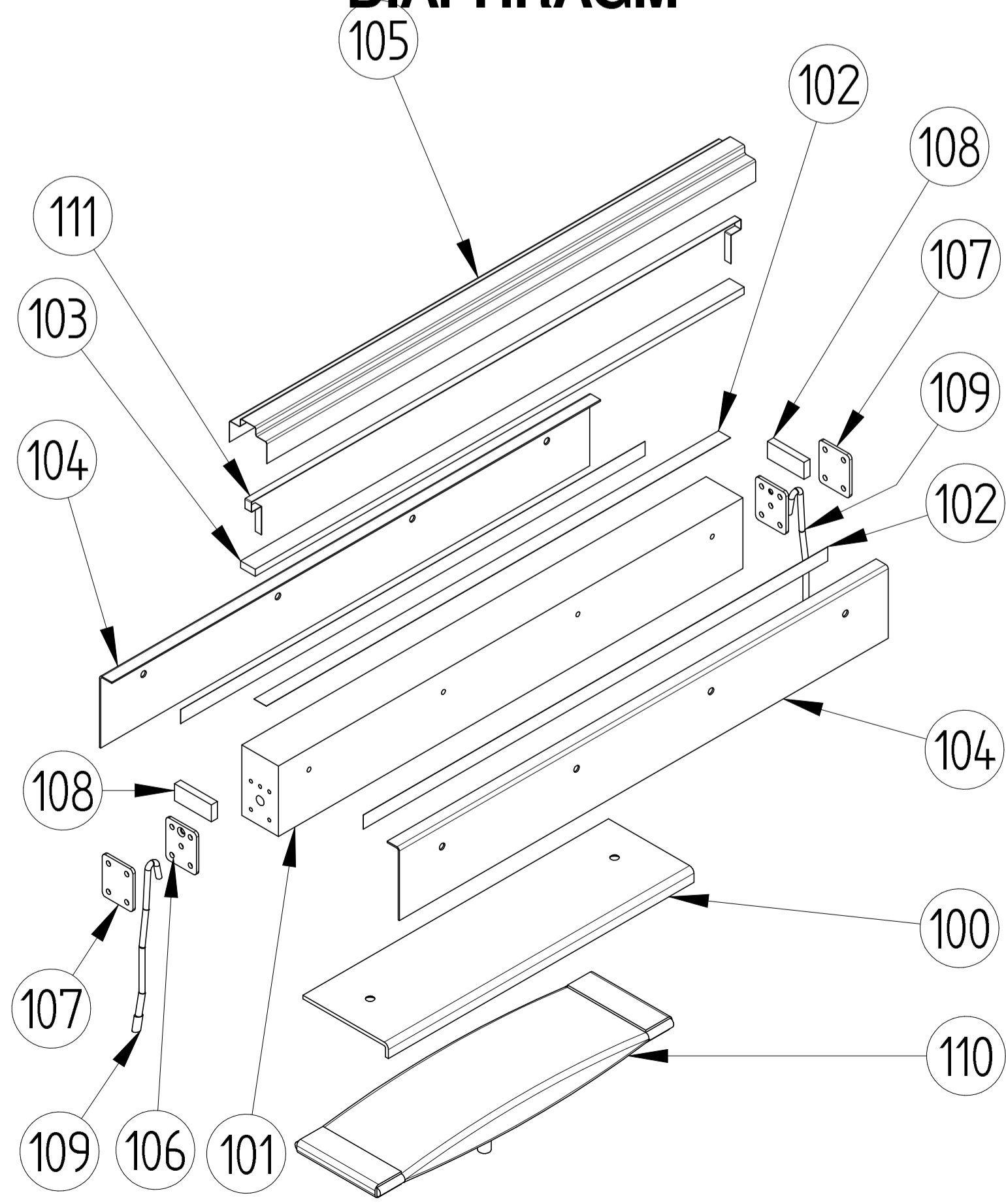
+7(812)987-08-81

## DETAIL A

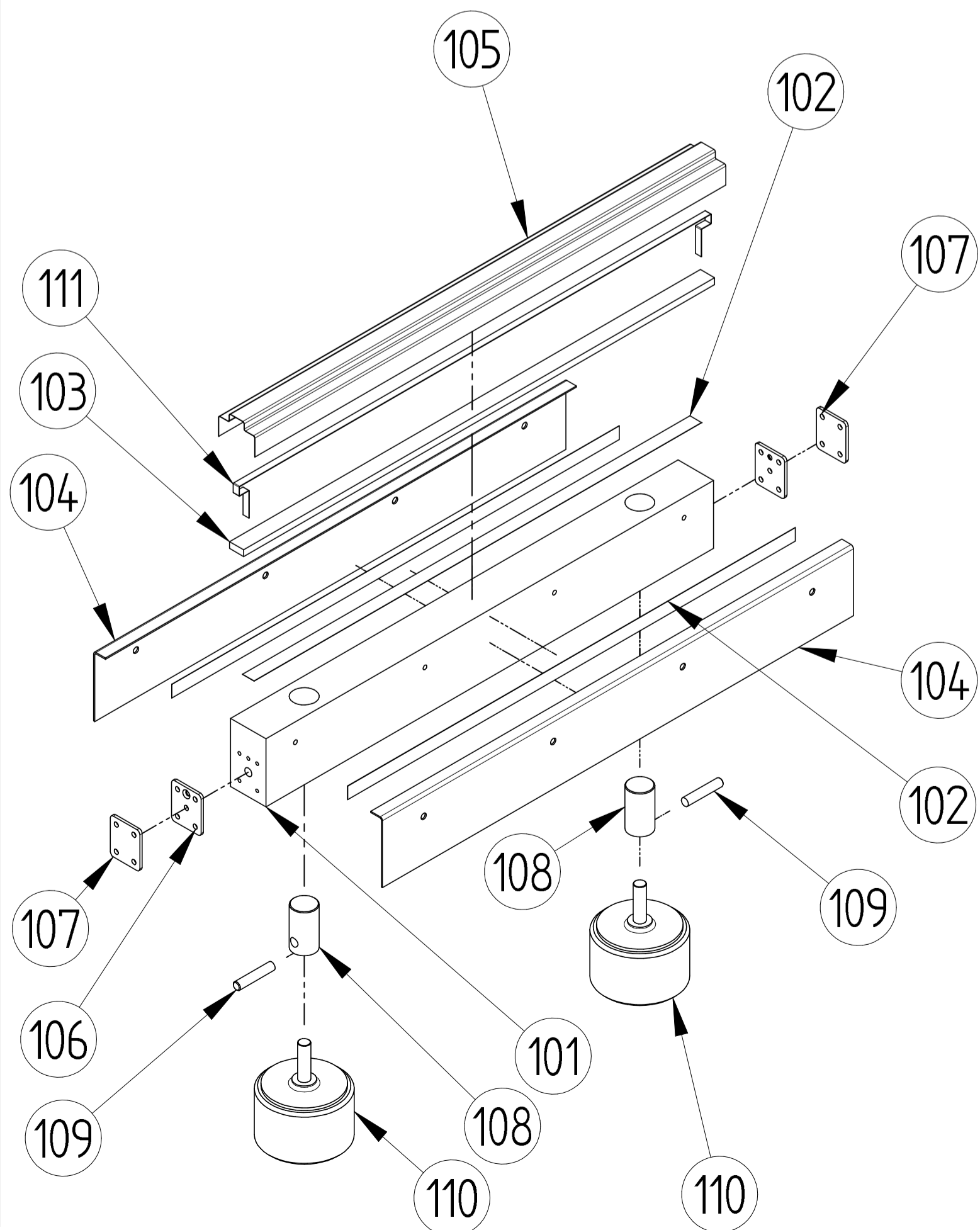


## DETAIL B

## SEALING BAR BY WELDING DIAPHRAGM



## SEALING BAR BY PISTONS



## GENERAL

Pos.	Description	Quantity
1	REAR PLATE TO FIX HINGES	1
2	RIGHT HINGE – FEMININE	1
3	LEFT HINGE – FEMININE	1
4	FRAME TO FIX LID	2
5	PLEXIGLASS DOMED LID	1
6	HINGE LINCHPIN	2
7	CAP FOR HINGE CLOSURE	2
8	STAINLESS STEEL MOLDED TANK	1
9	LID RUBBER GASKET	1
10	DOUBLE-SIDED TAPE	1
11	STAINLESS STEEL SILICONE HOLDER	1
12	SILICONE	1
13	SUCTION FERRULE	1
14	STAINLESS STEEL PNEUMATIC JACK SUPPORT	2
15	SPACER WASHER	2
16	PISTON FOR LID OPENING	2
17	POLIETHYLENE INSULATING SPACER	2
18	CONTACT BAR	2
19	STAINLESS STEEL M6 NUT	2
20	WASHER	2
21	M6 SELF-BLOCKING NUT	2
22	POWER-SOURCE SPACER	2
23	STAINLESS STEEL WASHER	4
24	POWER-SOURCE CONTACT	2
25	BAR POWER-SOURCE INSULATING SPACER	2
26	POWER-SOURCE CONNECTOR	2
27	M4 SELF-BLOCKING NUT	2
28	M4x25 STAINLESS STEEL SCREW	2
29	ALUMINUM CYLINDER TO FIX DIAPHRAGM	1
30	CYLINDER GASKET	1

## GENERAL

Pos.	Description	Quantity
31	STAINLESS STEEL CARTER	1
32	STAINLESS STEEL REAR DOOR	1
33	CONTROL PANEL	1
34	ELECTRONIC BOARD	1
35	MICRO LID CLOSURE	1
36	LINE SWITCH	1
37	MACHINE BASE	1
38	VACUUM PUMP	1
39	ELECTRICAL TRANSFORMER	1
40	FEET-BASE MACHINE SUPPORT	5
41	NIPPLE	1
42	T-PIPE	1
43	NIPPLO ADAPTOR	1
44	2V DRAIN ELECTROVALVE	1
45	ELECTROVALVE SUPPORT	1
46	SPACER WASHER	2
47	NIPPLE	3
48	SEALING SOLENOID VALVE	1
49	ELBOW PIPE	2
50	RUBBER HOLDER	2
51	T-BRANCH PIPE	1
52	GAS INJECTION	3
53	IDLE GAS ELECTROVALVE	1
54	GAUGE	1
55	ELBOW PIPE	1
56	SUCTION CURVED PIPE	1
57	RUBBER GASKET	1
58	LID HOOK	1
59	GAS NIPPLE	2

## SEALING BAR BY WELDING DIAPHRAGM

Pos.	Description	Quantity
100	DIAPHRAGM COVER	1
101	POLYETHYLENE BAR	1
102	DOUBLE-SIDED TAPE	3
103	BAKELITE SUPPORT	1
104	SEALING BAR STAINLESS STEEL ANGLE BRACKETS	2
105	INSULATING TEFLON CLOTH	1
106	BAR 6-HOLES PLATE	2
107	BAR 4-HOLES PLATE	2
108	SHORT BAKELITE SUPPORT	2
109	POWER-SOURCE CABLE	2
110	DIAPHRAGM	1
111	ELECTRICAL RESISTANCE	1

## SEALING BAR BY PISTONS

Pos.	Description	Quantity
101	POLYETHYLENE BAR	1
102	DOUBLE-SIDED TAPE	3
103	BAKELITE SUPPORT	1
104	SEALING BAR STAINLESS STEEL ANGLE BRACKETS	2
105	INSULATING TEFLON CLOTH	1
106	BAR 6-HOLES PLATE	2
107	BAR 4-HOLES PLATE	2
108	PISTON CONTACT CYLINDER	2
109	CONTACT THREADED ROD	2
110	BAR PISTON	2
111	ELECTRICAL RESISTANCE	1