

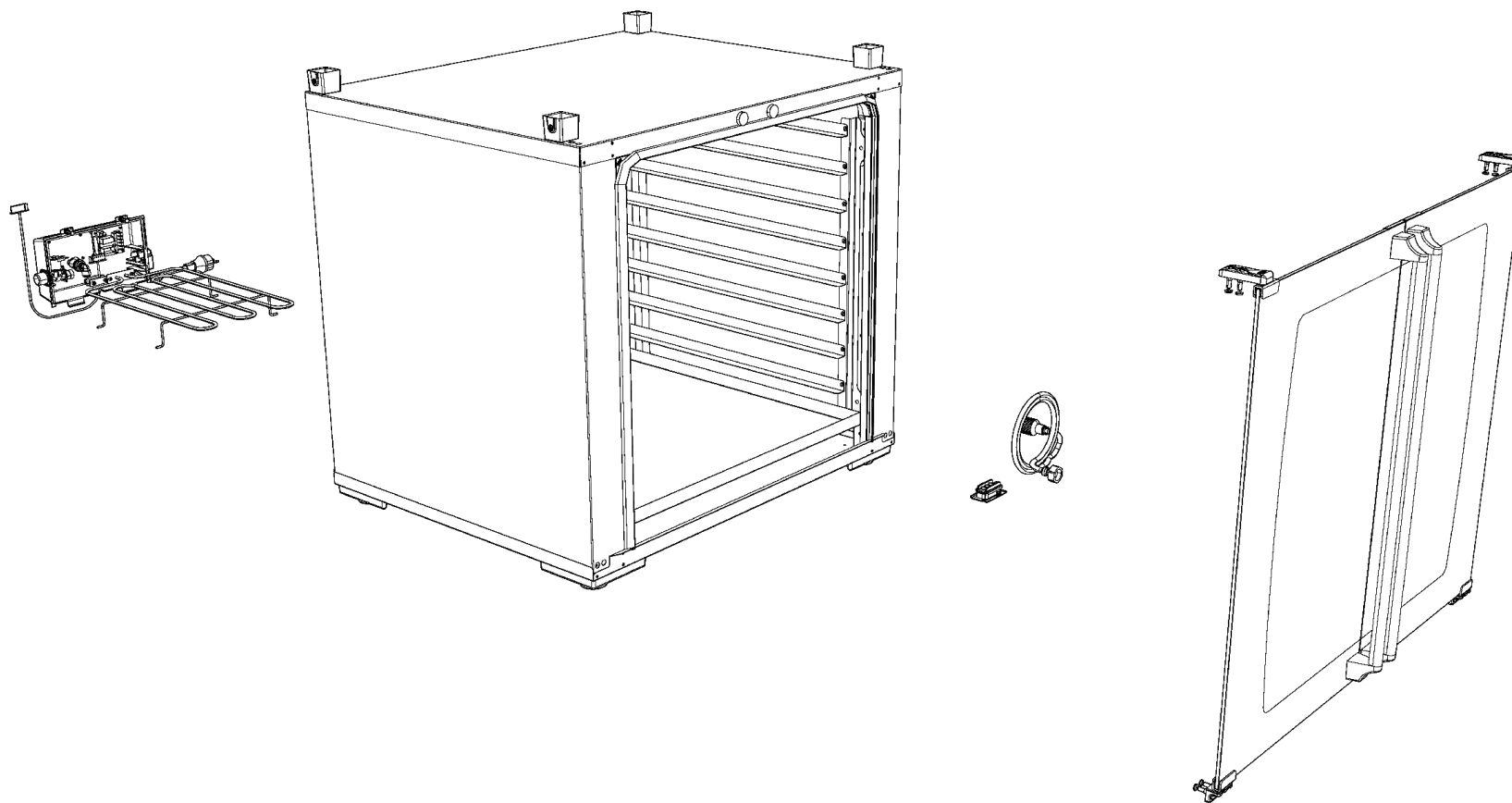
MOD:XLT195

Зип Общепит

vsezip.ru



+7(812)987-08-81

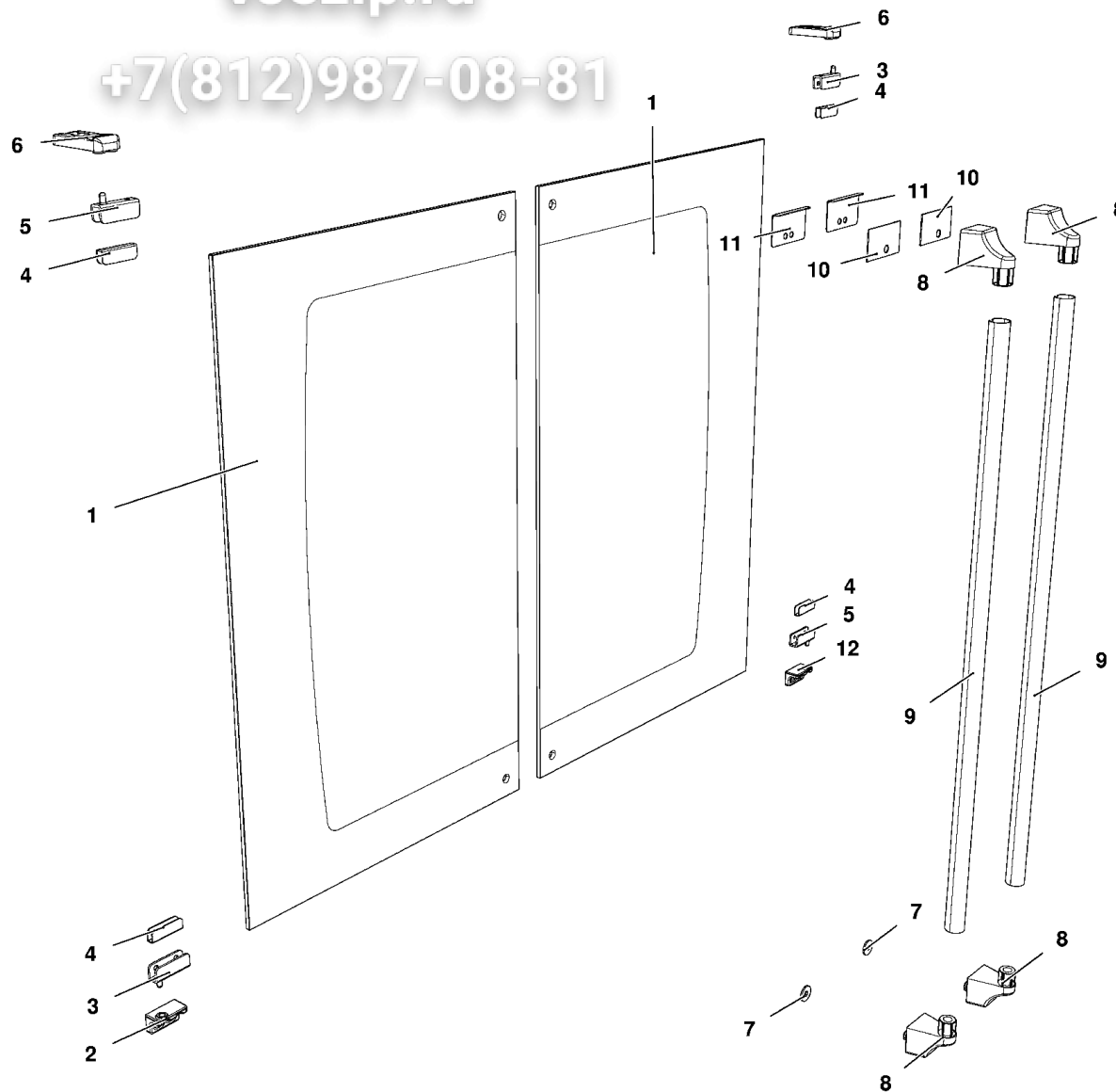


MOD:XLT195

Зип Общепит
vsezip.ru



+7(812)987-08-81

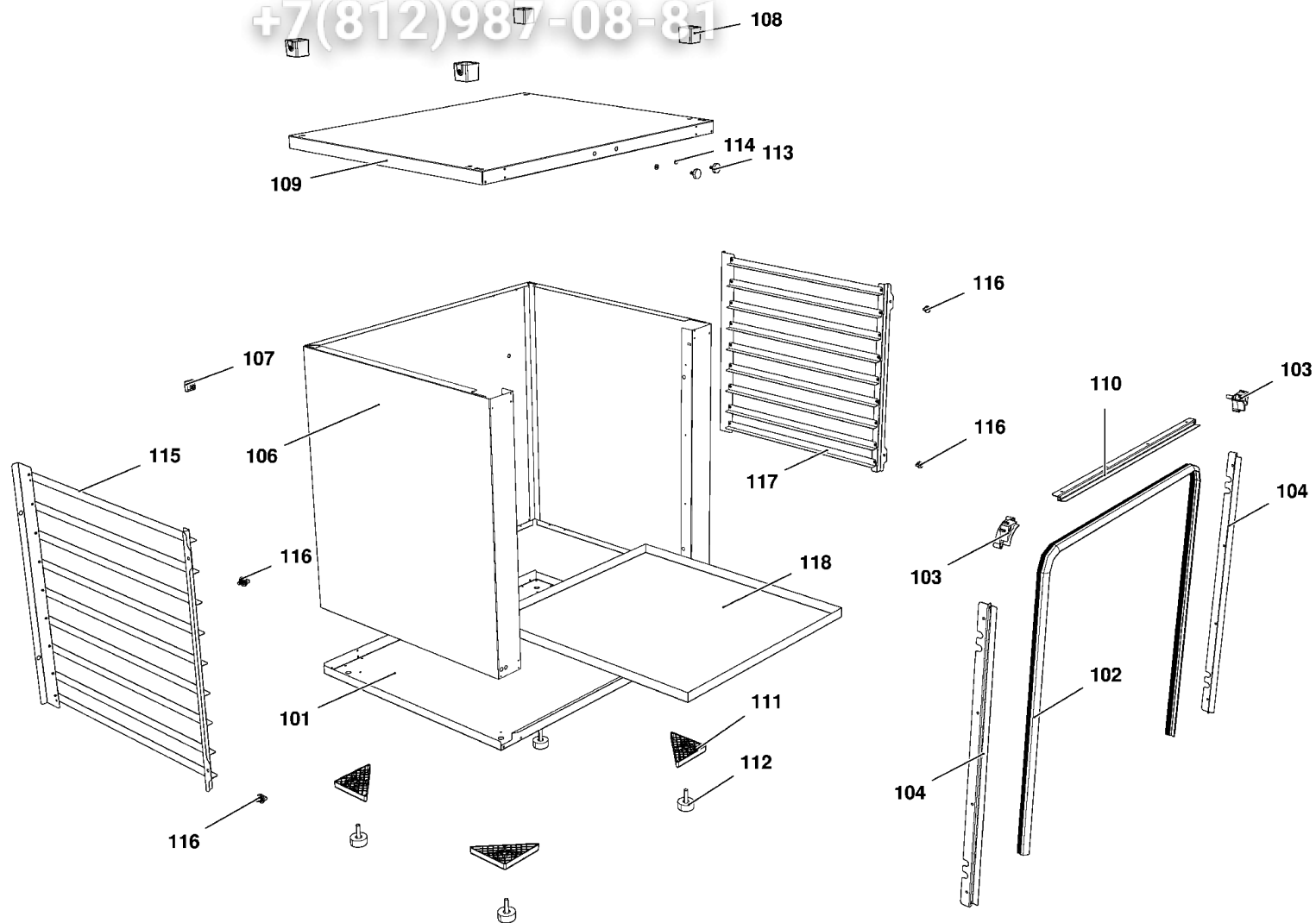


MOD:XLT195

Зип Общепит
vsezip.ru



+7(812)987-08-81

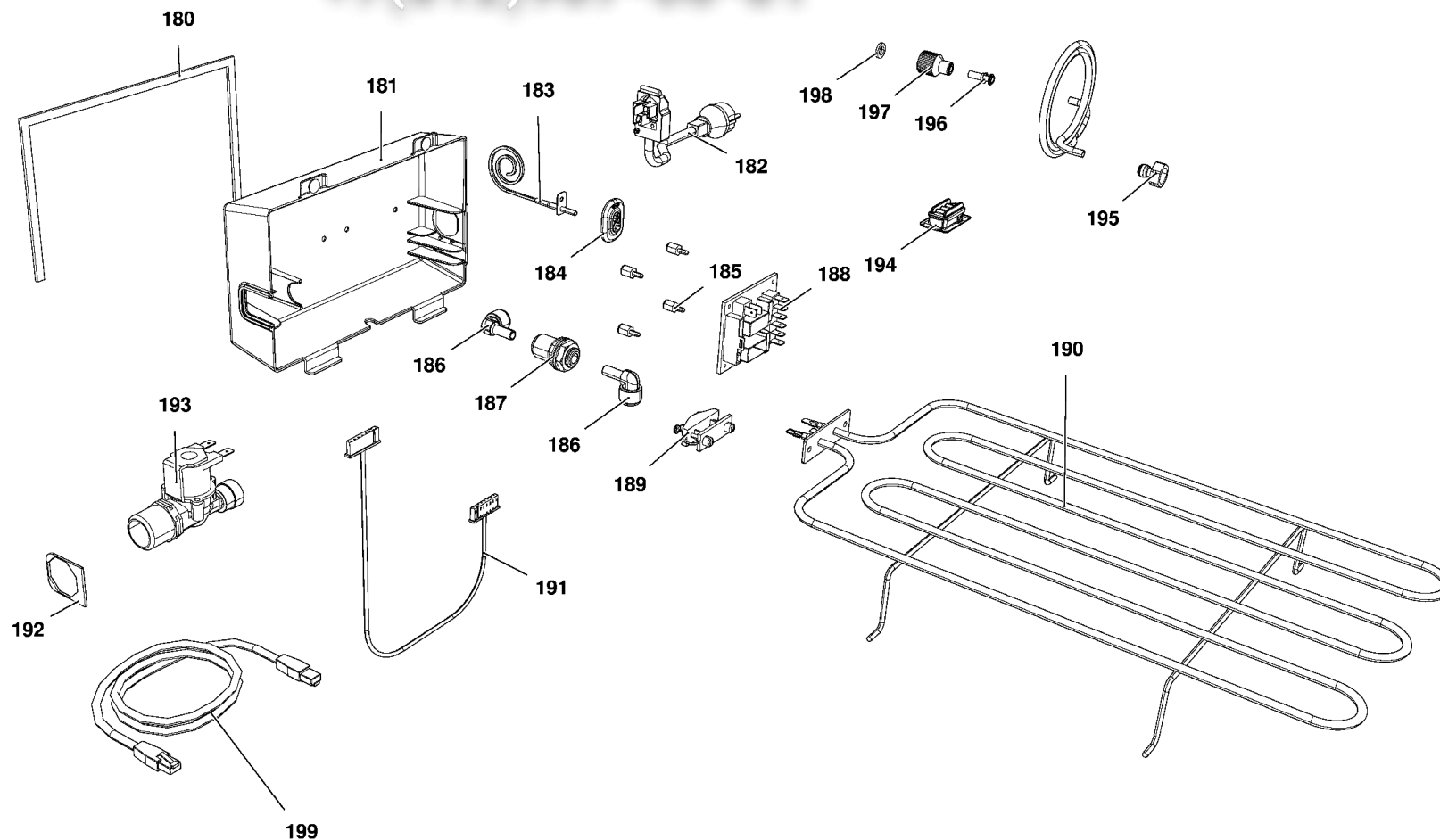


MOD:XLT195

Зип Общепит
vsezip.ru



+7(812)987-08-81



MOD:XLT195

Зип Общепит

vsezip.ru

+7(812)987-08-81



IT

Descrizione codici

1	VT1086B	VETRO PORTA 399X661 NERO XLT195/XLT193	182	MR1000A	CAVO 3X1,5 H07RN-F MT1,5+K2/3+SCHUKO
2	VM1024A	STAFFA INFERIORE SX PORTA LIEVITATORE	183	TR1105A	SONDA TEMPERATURA PT100 L1000
3	CR1080A	CERNIERA DX INOX XV-XL-XB	184	VM2052A	COPERCHIO SONDA TEMPERATURA LM
4	GN1320A	GUARNIZIONE CERNIERA VETRO PORTA	185	VM1745A	SUPPORTO PER SCHEDA
5	CR1081A	CERNIERA SX INOX XV-XL-XB	186	EL1195B	RACCORDO GOMITO D8F-D8M
6	VM1022A	STAFFA SUPERIORE PORTA LIEVITATORE	187	EL1125A	PASSAPARETE Ø8
7	VM1720A	RONDELLA PORTA XL405	188	PE1065B	SCHEDA POTENZA LIEVITATORE LM
8	MG1015B	TERMINALE MANIGLIA L.MISS/L.MICRO/CHEFTO	189	VE1075A	PRESSACAVO FV 268 RO+VITI FISSAGGIO
9	TB1077A	TUBO MANIGLIA XLT135/XLT195 Ø18x1	190	RS1095A	RESISTENZA PIANA 1200W 230V
10	GN1330A	GUARNIZIONE LAMIERINO FERRITICO XL405	191	CE1023A	CAVO DATI LIEVITATORE-FORNO UL CSA
11	OH4540A	LAMIERA PER CALAMITA PORTA XL 405	192	OH1196A	LAMIERINO CHIUSURA PORTACOMP. XLT
12	VM1023A	STAFFA INFERIORE DX PORTA LIEVITATORE	193	EL1140A	ELETTRIVALVOLA SINGOLA ATT. J.GUEST
101	OE1004B	FONDO ESTERNO XLT195/XLT193	194	VM2061A	PASSAPARETE CAVI ACCESSORI COMPLETO
102	GN1521A	GUARNIZIONE PORTA XLT195/XLT193	195	RC1030A	RACCORDO DIRITTO D=8 - 3/4 FEMMINA JOHN
103	VM1645A	ANGOLO GUARNIZIONE XL405	196	RC1002A	RACCORDO RIDUZIONE CODOLO 10M-8F
104	OH1181A	PROFILO LAT. GUARNIZIONE XLT135/XLT133	197	RC1365A	RACCORDO JG FEMMINA 3/4"-10
106	OD1034B	MANTELLINO XLT195/XLT193	198	GN1200A	GUARNIZIONE D=24 RACCORDO 3/4 GOMMA
107	VM1750A	MORSETTIERA A PETTINE	199	CE1305A	CAVO RJ45 - RJ45 L=2MT
108	VM1029A	RIALZO PIEDINO SOVRAPPOSIZIONE LM			
109	OD1047A	COPERCHIO XLT195			
110	OH1188A	PROFILO SUP. GUARNIZIONE XLT195/XLT193			
111	VM1281A	STAFFA TRIANGOLARE PIEDINO-RUOTA			
112	PD1065A	PIEDINO D45 H20 M10X40			
113	VE1607A	VENTOSA MAGNETICA GOMMATA D22 H6 M6X14.5			
114	VI1521A	RONDELLA PIANA 6X12X1 INOX			
115	GRL1016A	GRIGLIA LATERALE SX LIEVITATORE LM 800			
116	VM1820A	NOTTOLINO M6 CROMATO FISS. SUPPORTI			
117	GRL1017A	GRIGLIA LATERALE DX LIEVITATORE LM 800			
118	OH1192A	VASCA UMIDITA' XLT195			
180	GN1523A	GUARNIZIONE SCATOLA COMPONENTI XLT			
181	VE1130B	SCATOLA PORTACOMPONENTI LIEVITATORE			

MOD:XLT195

Зип Общепит

vsezip.ru

Codes descriptions



EN

+7(812)987-08-81

1	VT1086B	XLT195\XLT193 DOOR BLACK GLASS 399x661
2	VM1024A	PROVER DOOR LEFT LOWER BRACKET
3	CR1080A	XV-XL-XB ST. STEEL RIGHT HINGE
4	GN1320A	DOOR GLASS HINGE GASKET
5	CR1081A	XV-XL-XB ST. STEEL LEFT HINGE
6	VM1022A	PROVER DOOR UPPER BRACKET
7	VM1720A	DOOR WASHER XL405
8	MG1015B	L.MISS/L.MICRO/CHEFTOP HANDLE TERMINALS
9	TB1077A	XLT135/XLT195 Ø18x1 HANDLE TUBE
10	GN1330A	FERRITIC PLATE GASKET XL405
11	OH4540A	MAGNET DOOR PLATES XL405
12	VM1023A	PROVER DOOR RIGHT LOWER BRACKET
101	0E1004B	XLT195\XLT193 EXTERNAL BOTTOM PANEL
102	GN1521A	XLT195/XLT193 DOOR GASKET
103	VM1645A	CABINET AND PROVER GASKET CORNER
104	OH1181A	XLT135\XLT133 DOOR GASKET LAT. PROFILE
106	OD1034B	XLT195\XLT193 EXTERNAL CHASING
107	VM1750A	TERMINAL BOARD
108	VM1029A	L.MISS STACKING FOOT RISE
109	OD1047A	XLT195 EXTERNAL UPPER COVER
110	OH1188A	XLT195/XLT193 GASKET UPPER PROFILE
111	VM1281A	TRIANGULAR BRACKET FOR FOOT AND WHEEL
112	PD1065A	ACCESSORY FOOT D45 H20 M10X40
113	VE1607A	RUBBER MAGNETIC SUCTION CUP
114	VI1521A	STAINLESS STEEL WASHER D=6 6592
115	GRL1016A	L.Miss Prover 46x66 LEFT LATERAL GRID
116	VM1820A	LATERAL SUPPORTS M6 FIXING BOLTS
117	GRL1017A	L.Miss Prover 46x66 RIGHT LATERAL GRID
118	OH1192A	XLT195 WATER TRAY
180	GN1523A	XLT COMPONENTS BOX SEAL
181	VE1130B	PROVERS COMPONENTS HOLDING BOX

182	MR1000A	CABLE 3X1,5 H07RN-F MT1,5+K2/3+SCHUKO
183	TR1105A	TEMPERATURE PROBE PT100 L1000
184	VM2052A	LineMiss TEMPERATURE PROBE COVER
185	VM1745A	BOARD SUPPORT
186	EL1195B	D8F-D8M ELBOW CONNECTION
187	EL1125A	WALL PASSING SEAL Ø8
188	PE1065B	Line Miss PROVER CONTROL CARD
189	VE1075A	WIRE CLAMP FV 268 RO + FIXING SCREWS
190	RS1095A	HEATING ELEMENT 1200W 230V
191	CE1023A	PROVER-OVEN DATA CONNECTING CABLE
192	OH1196A	XLT COMPONENTS HOLDER SEALING PLATE
193	EL1140A	SINGLE WATER ELECTROVALVE W/ J.GUEST
194	VM2061A	ACCESSORIES CABLES WALL PASSING
195	RC1030A	STRAIGHT JOINT D=8-3/4 FEMALE JOHN
196	RC1002A	10M-8F J.G. TERMINAL REDUCTION FITTING
197	RC1365A	3/4"-10 JG FEMALE CONNECTION
198	GN1200A	3/4 CONNECTION SEAL D=24 RUBBER+NET
199	CE1305A	RJ45 - RJ45 CABLE L=2MT