

Зип Общепит

vsezip.ru

+7(812)987-08-81  
INSTRUCTION MANUAL

ROLLING MACHINE



**Зип Общепит**

**vsezip.ru**

**+7(812)987-08-81**

## **EMISSION: 2014**

The manufacturer is not under any obligation to notify of any future modifications of the product.

All rights of this document are reserved and no alteration or re-productions can be made without permission of the manufacturer.

## **INTRODUCTION**

This manual is specifically for the installation, use and maintenance of Rolling machines, so you are able to use the product in the best way.

It is important that the manual is kept in good condition and should stay with the machine at all times, including sale to another person, for security in the use of the machine.

The manual is divided in the following chapters:

### **CHAPTER 1:**

*General information.*

### **CHAPTER 2:**

*Installation.*

### **CHAPTER 3:**

*Functioning.*

### **CHAPTER 4:**

*Usage.*

### **CHAPTER 5:**

*Regulations.*

### **CHAPTER 6:**

*Maintenance.*

### **CHAPTER 7:**

*Demolition of the machine.*

### **CHAPTER 8:**

*After sales service.*

## CHAPTER 1

### GENERAL INFORMATION

+7(812)987-08-81

#### 1.1 WARRANTY

Guaranteed for one year from date of purchase. The date must be stamped on the guarantee on the day of purchase.

Parts of the machine found to be a production defect except electrical components or parts worn out, will be changed and serviced free by us in our company but only ex -works within this period.

Delivery expenses and costs of labor are excluded from the warranty.

The warranty will not be valid when the damage is due to: transportation, mistaken or insufficient maintenance, unskilled operators, damaging, repairs made by un-authorized personnel, non-observance of the instructions of the manual.

All reimbursements from the manufacturer are excluded for direct and indirect damages caused in the time the machine is inactive for the following reasons: breakdown, waiting to be repaired, or anyway the non-presence of the machine.

#### 1.2 CHARACTERISTICS OF THE MACHINE

Rolling machines was made with the intention for food usage only to make dough for baking and for cakes, to help make easier the creation of disk shapes for : pizza, bread, buns, cakes etc. maintaining the essential characteristics of the mixture.

##### 1.2.1.ROLLING MACHINES' MODELS 310 - 420 NEW e 310 - 420 TOUCH&GO NEW

The models 310-420 & 310-420 TG are composed of: a steel structure, by two groups of rollers, with relating guards, which are driven by belts, by an electric geared motor, controlled by a start switch fed through cable with mains voltage, by a sling, two slides and an optional, that is the foot pedal **start-stop** connected to the socket. The latter option is exclusive for the models 310-420, NOT touch & go.

##### 1.2.2 ROLLING MACHINES' MODELS 420 – 500 RP

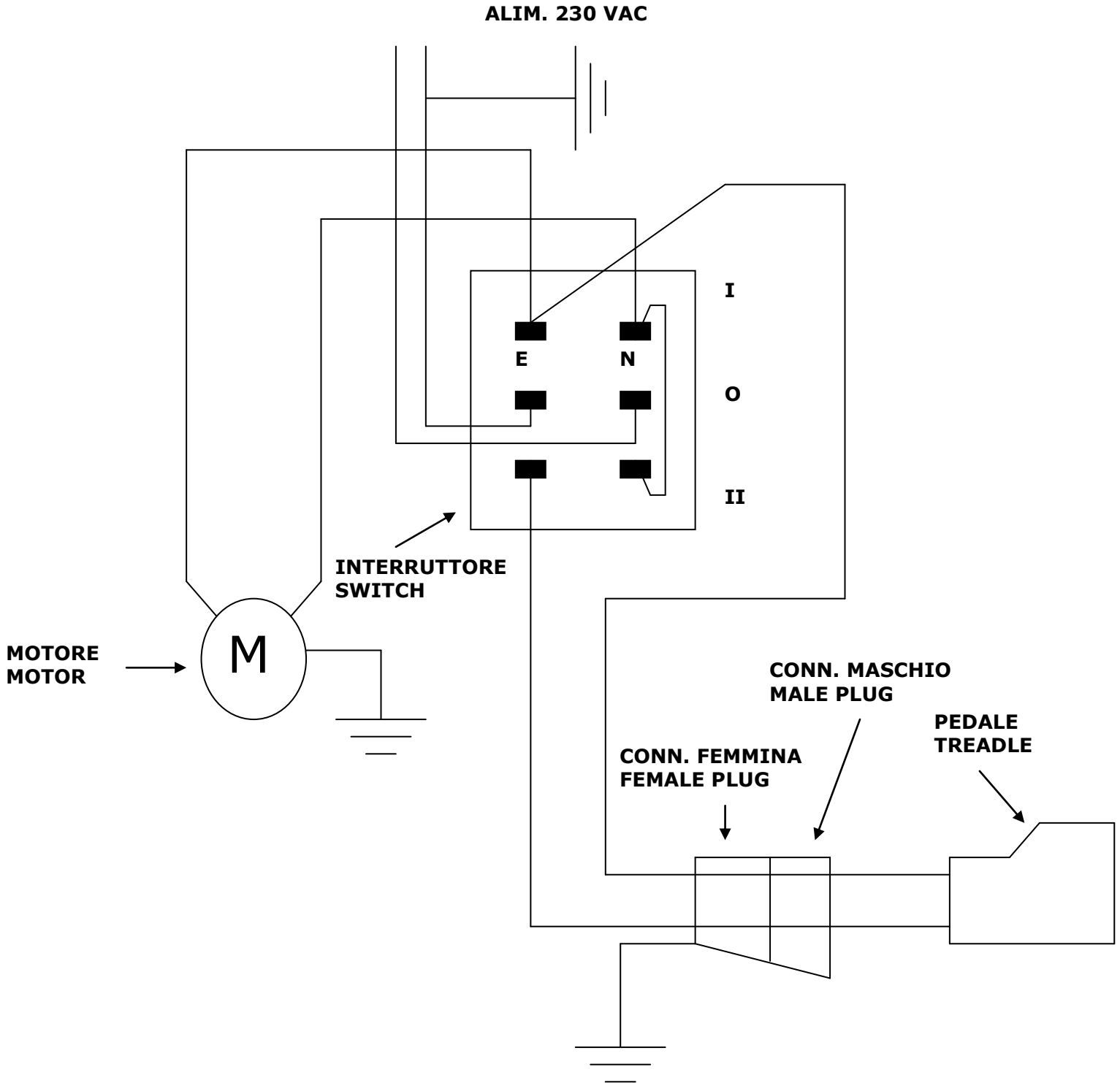
The models 420-500 RP are composed of: a metal structure, by two steel slides, two pairs of rollers with relative guards, which are driven by belts, by an electric geared motor, controlled by a start switch, powered through cable with mains voltage. supplemented by a foot control of start-stop connected to the socket.

##### 1.2.3 ROLLING MACHINES' MODELS 310/1 – 500/1 – 310/2

The models 310/1 - 500/1 – 310/2 are composed of: a metal structure of steel, by a pair of rollers, with relating guards, which are actuated by an electric gearmotor, controlled by a start switch fed through cable with mains voltage, a slide and a pedal control start-stop connected to the socket. With the exception of the model 310/2, the only composed of a pair of rollers to different diameters.

## 1.3 TECHNICAL CHARACTERISTICS

Descrizione <i>Description</i>	U.M.	310 NEW 310 T.GO NEW	420 NEW 420 T.GO NEW	420 P.P. NEW	500 P.P. NEW	310/1	500/1	310/2
Dimensioni macchina <i>Machine dimension</i>	cm	47,5 x 37,5 x 66	58,5 x 43,5 x 79	58,5 x 43,5 x 71,5	66,5 x 43,5 x 71,5	48 x 33,5 x 43	65 x 34,5 x 43	65 x 34,5 x 43
Peso netto <i>Net weight</i>	Kg	30	36	38	41	18	27	22
Temperatura d'esercizio <i>Operatine temperature</i>	°C	+15 ÷ +45						
Peso pasta <i>Dough weight</i>	gr	80 ÷ 210	210 ÷ 700	220 ÷ 1000	220 ÷ 1000	80 ÷ 210	210 ÷ 700	80 ÷ 210
Diametro pizza <i>Pizza diameter</i>	cm	14 ÷ 29	26 ÷ 40	26 ÷ 40	26 ÷ 45	14 ÷ 29	26 ÷ 40	14 ÷ 29
Tensione d'alimentazione <i>Alimentation tension</i>	Vac	230 ( 1 Ph + N + T ) 50 Hz						
Potenza assorbita <i>Absorbed power</i>	W	250						
Potenza motore <i>Motor power</i>	W	240						

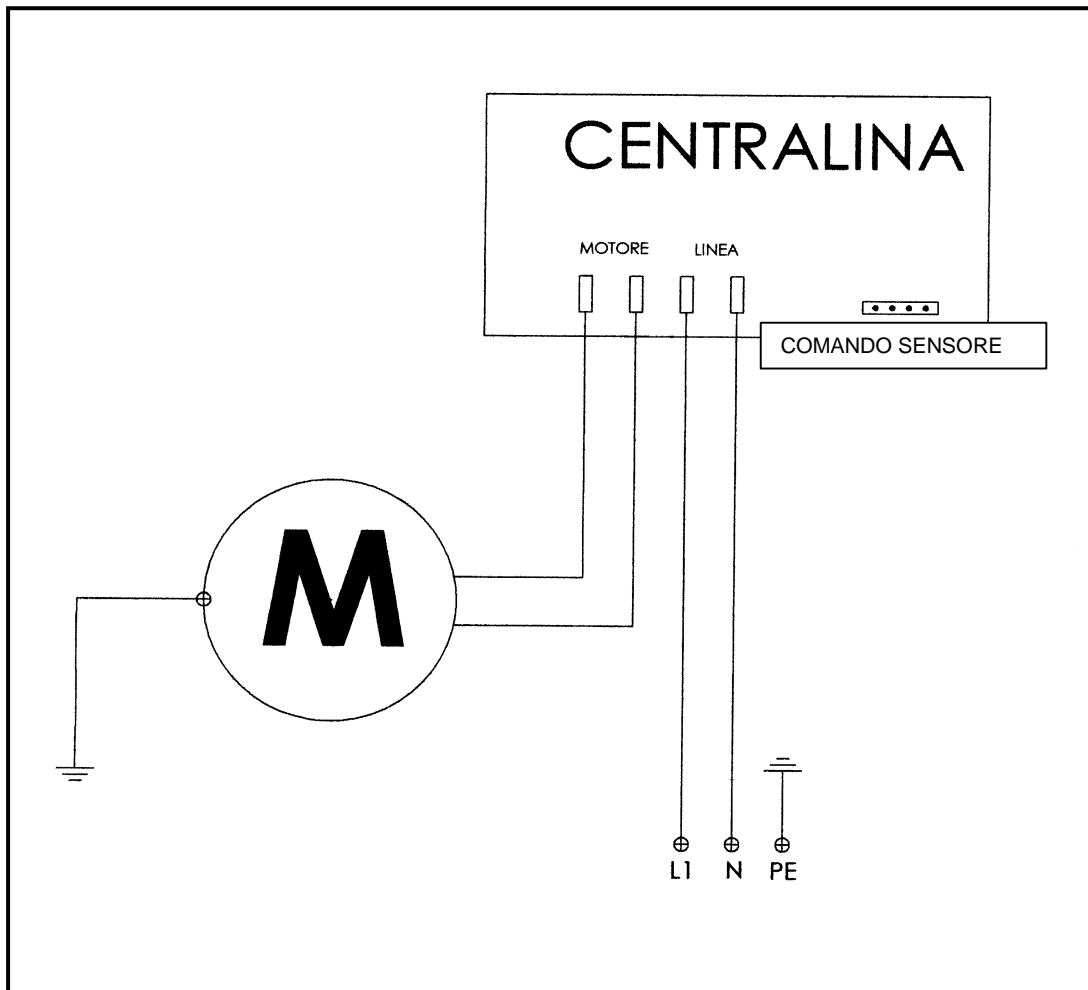


Зип Общепит

1.4.1 ELECTRICAL SCHEME ABOUT MODELS: 310-420 TG NEW

vsezip.ru

+7(812)987-08-81



## 1.5 INFORMATION REGARDING ACOUSTIC NOISES

The acoustic pressure level well-pondered A measured on an equal machine, turned out to be steady and lower than 70 dB (A).

## 1.6 GENERAL SECURITY INDICATIONS

Although the machine is built in conformity to the required security rules regarding electrical, mechanical and hygienic regulations it can be dangerous if:

- used in cases and conditions different to those described by the manufacturer.

- **Modifications of the proportionate covers.**

- Inattention to the instructions of:

Installation - functioning - usage - Maintenance.

### **IMPORTANT**

**Installation and maintenance must be done by qualified personnel authorized by the manufacturer who is not responsible for any mistaken installation or manumission.**

## 1.7 SECURITY INDICATIONS

**IMPORTANT Carefully read the instructions before using the machine.**

### **WARNING**

**To avoid dangerous conditions and/or possible injuries caused by: electric current, mechanical parts, fire or hygiene problems, you must follow the safety warnings step by step.**

- A. KEEP IN ORDER YOUR WORKING AREA. Disorder can cause dangerous accidents.
- B. CONSIDER ENVIRONMENTAL CONDITIONS. Do not use the machine in humid, wet or badly lit environments, close to inflammable liquids or gas.
- C. KEEP AWAY FROM CHILDREN AND NON AUTHORISED PERSONNEL. Do not permit them to go near the machine or the working area.
- D. ONLY UTILISE THE MACHINE WITH THE CORRECT VOLTAGE. Normal usage gives better results.
- E. DRESS IN ADEQUATE WAY. Do not wear hanging clothes or any items which can be caught in the machine. Use non-slip shoes. For hygiene and safety keep your hair tied back and wear protective gloves.
- F. PROTECT THE CABLE. Do not pull the cable to extract the plug. Do not leave the cable near high temperatures, sharp object, water or solvents.
- G. AVOID INSECURE POSITIONS. Find the best surface to ensure the machine is balanced.
- H. ALWAYS PAY MAXIMUM ATTENTION. Do not be distracted when using the machine.
- I. TAKE THE PLUG OUT. When the machine is not in use, before cleaning, maintenance and moving it.
- J. DO NOT USE FURTHER EXTENSIONS.
- K. CHECK THAT THE MACHINE IS NOT DAMAGED. Before using the machine, carefully check that all security devices are working. Check that: the mobile parts are not blocked, there are not any parts damaged, all the parts have been set-up correctly and all the conditions that could influence the regular functioning of the machine, are in working order.
- L. REPAIRING THE MACHINE BY QUALIFIED PERSONNEL. The repairs can only be done by qualified people, using original spare parts. The non-compliance with these rules can represent danger for the user.



Зип Общепит

vsezip.ru

+7(812)987-08-81

## CHAPTER 2

### INSTALLATION

#### **2.1 INSTRUCTIONS FOR THE USER**

The environmental conditions in which the machine must be installed must follow these characteristics:

- be dry
- water and heat sources at safe distance
- adequate ventilation and lighting (corresponding to hygiene and security rules following the existing laws).

The surface must be horizontal, for normal ventilation of the machine no objects should obstruct.

#### **IMPORTANT**

**The electric net must be provided with an auto-matic differential switch and this has to be suitable to the machine and have a distance between the contacts of at least 3 mm. It is particularly important to have a good ground system.**

Verify that the electrical set-up corresponds with the numbers of the **technical characteristics** (1.3) and on the small plate at the back of the machine.

#### **2.2 INSTALLATION METHODS**

The machine is supplied in a closed package.

After taking out the two covers, the higher slide and the machine proceed as follows:

- Position the machine in the corresponding location.
- Remove protection, avoid contact with utensils that can damage the surfaces.

#### **NOTE**

**All the material belonging to the packaging, must be disposed in conformity of the law.**

#### **2.3 ELECTRICAL CONNECTION**

The connection of the machine to the electrical network is made through a cable provided with a plug.

#### **2.4 POSITIONING OF THE MACHINE**

The plug must be accessible, does not have to require any kind of movement.

The cable from the machine to the wall plug must not be pulled tightly, also do not rest the machine on the cable.

## CHAPTER 3

### FUNCTIONING

#### 3.1 CONTROL DEVICES

The machine is provided with the following control devices:

SWITCH 1-0-2:

Position 1 – START

Position 0 – STOP

Position 2 – THE FOOT FUNCTION

on the front panel for 310 – 420 TG:

- Black switch Set time (setting the working time);
- Red switch stoppage;
- Green light Machine starts.

#### 3.2 FUNCTIONAL VERIFICATION

After you have inserted the line cord into the socket, the machine is ready for the functional verification.

**START:** press the button ( 1 ), the machine will start.

**STOP:** press the button ( 0 ), the machine will stop.

#### EXCEPT FOR MODELS 420/500 RP

##### **START TO PEDAL:**

Pressing the switch in position 2, the machine does not start, but waits. Applying light pressure to the foot control, the rollers start spinning and the machine is ready for use.

##### **STOP TO PEDAL:**

Lifting his foot from the foot pedal the machine stops.

Finally, **START THE MACHINE WITHOUT USING IT, LET IT RUN FOR 1 MINUTE AND MAKE SURE IT IS FUNCTIONING PERFECTLY.**

## CHAPTER 4

### USAGE

Before every work-cycle always make sure the machine is perfectly clean, in particular those surfaces that get in touch with the dough. If necessary clean the machine following point:

#### 4.1 USAGE OF THE MACHINE

##### 4.1.1 MODELS 310 - 420 NEW

**TO START:** Press the button ( 1 ); the machine starts the two rollers and it is now ready to be used.

Before you introduce in the opening of the highest cover the small ball of dough made with flour and left to rise (at least from 6 to 8 hours) squash the sides slightly so it can easily go through the highest rollers.

When the dough comes out you will see a reduction of thickness, with an oval shape, then sliding along the scale it will make a turn of about 90° ready to go under the lowest rollers out of which it will have a disk shape. This shape is not perfect so it needs the finishing touches by hand.

**TO STOP:** Press the button ( 0 ).

#### USAGE OF THE FOOT PEDAL

The foot pedal will only be installed by request of customer.

The foot pedal is a convenient alternative to the start and stop button and it makes possible to keep the machine on during the time needed.

This device is connected to the machine by introducing the plug on the side of the machine.

**TO START:** Pressing the button ( 2 ), the machine doesn't start but it is on hold. Pressing slowly the foot pedal, rollers start moving and the machine is ready for use

**TO STOP:** Taking your foot of the foot pedal the machine will stop working.

##### 4.1.2 MODELS 310 - 420 TOUCH & GO NEW

**TO START** Press the switch at the side in position 1

Press the black switch of the unit "SET TIME" to set the working time from 10 to 35 seconds; the machine is ready for the operational phase.

Before you introduce in the opening of the highest cover the small ball of dough made with flour and left to rise (at least from 6 to 8 hours) squash the sides slightly so it can easily go through the highest rollers .**The rollers are automatically started with the contact of the dough with the top slide.**

When the dough comes out you will see a reduction of thickness, with an oval shape, then sliding along the scale it will make a turn of about 90° ready to go under the lowest rollers out of which it will have a disk shape. This shape is not perfect so it needs the finishing touches by hand. **The rollers turn will end automatically at the end of the time previously set.**

**TO STOP:** Press **the switch at the side** in position 0

## 4.1.3 models 420 - 500 RP

**FUNCTIONS AND USAGE OF THE FOOT PEDAL.** The foot control device controls the rollers to move depending on desired speed and keeping the machine on during the time needed.

This device is connected to the machine by plugging the foot pedal into the main machine.

**USAGE FOR THE SHAPING OF THE DISKS.** After turning on the machine with the toggle switch in position 1 or 2, and starting the movement of rollers with the foot pedal, you can start working.

Before introducing in opening of the highest cover the small ball of dough previously left to rise (at least 6 to 8 hours), squash the sides slightly so it can easily go through the highest rollers. When the dough comes out, you will see a reduction of thickness, with an oval shape. At the end of the trial, support on exit the dough with your hand letting it advance slowly till it comes out, at the end of this the rollers must be stopped. Turn the dough to 90° placing it in the lowest rollers ready for the next trial. Out of these rollers it will have a disk shape, this shape is not perfect so it needs the finishing touches by hand.

**USAGE FOR THE SHAPING OF RECTANGLES.** Position a baking pan under the machine clean and big enough to fit underneath.

Turn on the machine, start rollers, then introduce in the opening of the highest cover the small ball of dough previously left to rise (at least 6 to 8 hours), squash sides slightly to facilitate entrance in the rollers through which, on the first trial the dough becomes thinner.

At the end of trial, it is necessary for medium or big weights to proceed as follows: go forward step by step, for another constant manual widening of the dough, positioning for the next trial through the rollers, from here the shaped dough will fall down into the baking pan.

**IMPORTANT** TURN OFF THE MACHINE WHEN YOU HAVE FINISHED WORKING.

**HOW TO REGULATE THE THICKNESS.** Regulating the machine can only be recommended as there are different characteristics of: the dough, the weight, the thickness, the size and the shape of the disk.

Therefore the correct regulating of the machine must be made by experimenting.

The machine is provided with a medium size regulation for the shapes of pizza.

**IMPORTANT** ALL REGULATION MUST BE MADE WHEN MACHINE IS ON HOLD.

With this machine you can have different thickness' of dough to suit all requirements, just by turning and turning the knob. Pull the black knob in order to release the levers.

To obtain the best results, we recommend to change the regulations.

The thickness can be modified turning the knob:

-**MINIMUM THICKNESS** (0) turning counter-clockwise

-**MAXIMUM THICKNESS** (4) turning clockwise.

**NOTE** TO AVOID THE DOUGH BRAKING, IT MUST PASS THROUGH THE ROLLERS ONLY ONCE.

## 4.1.4 models 310/1 – 310/2 – 500/1

**TO START** Push the button in position 1; the machine starts the two rollers and it's now ready to be used. Before introducing the dough previously left to rise (at least 6 to 8 hours) open the rollers using the handle (in position 3-4). The dough needs to be floured and squashed slightly to get through the rollers. When the dough comes out, it will be in an oval shape and you will notice reduction of thickness. Towards the end of this step, you need to support with your hand the dough until it comes out completely. At this stage rotate the dough in a transversal way of about 90° and put it through the rollers once more (in position 1-2). You will finally get an almost perfect disk shape dough that can be easily enhanced with few finishing touches by hand.

**TO STOP** Press the button 0.

**USAGE OF THE FOOT PEDAL.** The foot pedal will only be installed by request of customer.

The foot pedal is a convenient alternative to the start and stop button and it makes possible to keep the machine on during the time needed.

This device is connected to the machine by introducing the plug on the side of the machine.

**TO START** Pressing the button (2), the machine doesn't start but it is on hold. Pressing slowly the foot pedal, rollers start moving and the machine is ready for use.

**TO STOP** Taking your foot off the foot pedal the machine will stop working.

## CHAPTER 5

### REGULATIONS

Regulating the machine can only be recommended as there are different characteristics of: the dough, the weight, the thickness, the size and the shape of the disk.

Therefore the correct regulating of the machine must be made by experimenting.

The machine is provided with medium size regulation.

#### 5.1 HOW TO REGULATE THE THICKNESS

**IMPORTANT: ALL THE REGULATIONS HAVE TO BE DONE WHEN THE MACHINE IS OFF.**

With this machine you can have different thickness' of dough to suit all requirements, just by turning Knob you can unblocked them pulling the black lever.

The thickness can be modified turning the knob:

-**MINIMUM THICKNESS** (0) turning counter-clockwise

-**MAXIMUM THICKNESS** (4) turning clockwise.

To obtain the best results we suggest you variegate the different regulations.

Ex.: Superior roller 3,5 mm

Lower roller 2 mm

**NOTE:** TO AVOID BREAKING THE DOUGH, LET IT PASS ONLY ONCE THROUGH THE ROLLERS.

#### 5.2 HOW TO REGULATE THE SHAPE FOR ROLLING MACHINES 310/420 E TOUCH&GO

To obtain the right shape of the disk , it is necessary to readjust the scale to the alteration of the weight of the dough, to modify the position of the vertical perfectly to horizontal before entering the lowest rollers.

**NOTE:** MAKE SURE THAT THE SCALE IS IN THE HIGHEST POSITION WHEN NOT IN USE.

##### 5.2.2 HOW TO REGULATE THE SMALL SCALE

This regulation gives the possibility to alter the rotation speed of the dough. Unscrewing the blocking screw it is possible to modify the position of the counterbalance and its sensibility depending on its positioning in one of the three holes in the small balance.

MAXIMUM BALANCE:

- position the counter-balance in the inside hole;
- this is recommended for lower weights.

MEDIUM BALANCE:

- position the counter-balance in the middle hole;
- this is recommended for medium weights.

MINIMUM BALANCE:

- position the counter-balance in the extreme hole;
- this is recommended for higher weights.

At the end of the regulation block the counterbalance screwing the screw.

## CHAPTER 6

### MAINTENANCE

#### **WARNING**

BEFORE DOING ANY KIND OF MAINTENANCE OR CLEANING YOU MUST TAKE OUT THE PLUG.

IN ANY CASE OF MALFUNCTIONING OR DAMAGES OF THE MACHINE YOU MUST APPLY FOR AUTHORISED ASSISTANCE FROM THE MANUFACTURER. (SEE CHAPTER 8).

#### **6.1 CLEANING**

Cleaning must be done every time the machine has been used **following all the rules to prevent malfunctioning of the machine and for hygienic purposes.**

Using a proper brush, first clean the residue of flour and dough.

Release the springs, loosen the dough scrapers then turn the regulating levers in position, maximum opening of the rollers.

Clean very carefully the machine and all the parts, also the disassembled parts, using a sponge or a cloth dampen with tepid water and detergent. Rinse out very well so to remove completely the detergent. Dry with blotting paper, then clean first the surface in contact with the dough and then all the machine with a clean and soft cloth soaked with a specific disinfectant for alimentary machines.

#### **WARNING**

IT IS IMPORTANT NOT TO USE CHEMICAL ABRASIVE OR CORROSIVE PRODUCTS. ABSOLUTELY AVOID TO USE RUNNING WATER, NON-SMOOTH TOOLS SUCH AS STEEL WOOL, SPONGES ETC... THESE CAN DAMAGE THE SURFACE AND COMPROMISE THE HYGIENICALLY SAFETY.

Mount everything in this order: the scrapingdough pieces, the springs, the slides and the protections.

**VERIFY THAT ALL PIECES HAVE BEEN CORRECTLY POSITIONED AND FIXED.**

#### **6.2 LUBRICATION OF SHAFTS AND ROLLERS**

It is necessary to grease shafts and rollers every year. Take off the protections, the slanted wall, the springs and the doughscrapers; unscrew the fixing screws and take off first the back-panel and then the stands and ; Take off the rollers and the joints . Clean all these parts accurately by means of a sponge, warm water and food detergent, rinse thoroughly and dry it with absorbing paper. Grease both the shafts and the Back on and fix all the parts, starting from the last taken-off piece.

## 6.3 POSSIBLE ANOMALIES

ANOMALY	CAUSE	SOLUTION
The machine doesn't start	1_ Electrical power is missing 2_ The foot - control is on.	1_ Check the general contactor, the plug and the feeding cable. 2_ Push the foot pedal

## CHAPTER 7

### DEMOLITION OF THE MACHINE

In cases of dismantling and/or demolition of the machine, the pieces which the machine is made of, do not present any kind of danger that necessitates any particular caution.

To facilitate the recycling process of the materials, you must separate all electrical and thermo-plastic components.

## CHAPTER 8

### AFTER-SALE SERVICE

#### 8.1 SPARE PARTS

For a demand of spare parts:

EEC Countries: Contact exclusively place of purchase



## 8.1.2 SPARE PARTS FOR ROLLING MACHINES

7(812)987-08-81

310 NEW ROLLING MACHINE			420 NEW ROLLING MACHINE		
POS.	ART.	DESCRIPTION	ART.	DESCRIPTION	
1	5T100001	PLUG STRAP	5T100001	PLUG STRAP	
2	5S500001	SEEGER Ø10 UNI 7435	5S500001	SEEGER Ø10 UNI 7435	
3	3P020001	KNOB CONTROL	3P020001	KNOB CONTROL	
5	5S510005	CILINDRIC SHEET 3X14	5S510005	CILINDRIC SHEET 3X14	
6	3S010032	LOWER ROLLERS SUPPORT	3S010032	LOWER ROLLERS SUPPORT	
7	3S010027	UPPER ROLLERS SUPPORT	3S010027	UPPER ROLLERS SUPPORT	
9	3A010042	LOWER CILINDRIC SHAFT 310	3A010047	LOWER CILINDRIC SHAFT 310	
10	3A010032	UPPER CILINDRIC SHAFT 310	3A010037	UPPER CILINDRIC SHAFT 310	
11	3R020005	BACK DOUGH SCRAPER 310	3R020010	BACK DOUGH SCRAPER 310	
12	3R010010	LOWER CILINDRIC ROLLER 310	3R010020	LOWER CILINDRIC ROLLER 310	
13	3R010001	UPPER CILINDRIC ROLLER 310	3R010005	UPPER CILINDRIC ROLLER 310	
17	5A010001	ELASTIC RING	5A010001	ELASTIC RING	
18	3A010072	LOWER MOTOR SHAFT	3A010072	LOWER MOTOR SHAFT	
19	3A010071	UPPER MOTOR SHAFT	3A010071	UPPER MOTOR SHAFT	
20	5C030000	KBC 6202 ZZ BEARING	5C030000	KBC 6202 ZZ BEARING	
21	5L500017	UNI 6604-A 5X5X14 KEY	5L500017	UNI 6604-A 5X5X14 KEY	
22	5I200005	DRIVING GEAR	5I200005	DRIVING GEAR	
25	3S010007	LOWER GEARS SUPPORT	3S010007	LOWER GEARS SUPPORT	
26	3S010003	UPPER GEARS SUPPORT	3S010003	UPPER GEARS SUPPORT	
27	5C030007	16002 2Z BEARING	5C030007	16002 2Z BEARING	
28	5S500010	SEEGER Ø15 UNI 7435	5S500010	SEEGER Ø15 UNI 7435	
31	5G010005	MALE COUPLING	5G010005	MALE COUPLING	
32	5G010001	FEMALE COUPLING	5G010001	FEMALE COUPLING	
33	3R010050	LOWER ECCENTRIC ROLLER 310	3R010060	LOWER ECCENTRIC ROLLER 310	
34	3R010040	UPPER ECCENTRIC ROLLER 310	3R010045	UPPER ECCENTRIC ROLLER 310	
35	3R020025	FRONT DOUGH SCRAPER 310	3R020030	FRONT DOUGH SCRAPER 310	
36	3T050035	LOWER STAY ROD 310	3T050025	LOWER STAY ROD 310	
37	3T050040	UPPER STAY ROD 310	3T050030	UPPER STAY ROD 310	
38	3A010011	LOWER ECCENTRIC SHAFT 310	3A010016	LOWER ECCENTRIC SHAFT 310	
39	3A010002	UPPER ECCENTRIC SHAFT 310	3A010006	UPPER ECCENTRIC SHAFT 310	
41	5M500005	DOUGH SCRAPER SPRING	5M500005	DOUGH SCRAPER SPRING	
42	5L500010	UNI 6604-A 4X4X15 KEY	5L500010	UNI 6604-A 4X4X15 KEY	
43	5M500001	KNOB REGULATION SPRING	5M500001	KNOB REGULATION SPRING	
45	4C010016	BACK COVER 310 NEW	4C010008	BACK COVER 310 NEW	
46	5R010001	NMRV30 REDUCER	5R010001	NMRV30 REDUCER	
47	5C020010	310 ROLL MACHINE BELT	5C020015	310 ROLL MACHINE BELT	
48	4P010007	310 NEW PLATE	4P010012	310 NEW PLATE	
50	4T010106	310 NEW CHASSIS	4T010111	310 NEW CHASSIS	
51	3D010005	UPPER SLIDE SPACER	3D010005	UPPER SLIDE SPACER	
53	4S010003	310 UPPER SLIDE	4S010006	310 UPPER SLIDE	
54	4D010001	DEFLECTOR	4D010001	DEFLECTOR	

# Зип Общепит

vsezip.ru

+7(812)987-08-81

55	4S010071	310 NEW LOWER SLIDE	4S010071	310 NEW LOWER SLIDE
56	4B010001	ROCKING 310	4B010005	ROCKING 310
57	5L500031	UNI6604-A 5X5X25 KEY	5L500031	UNI6604-A 5X5X25 KEY
58	7G010066	310 NEW UPPER ROLLER GROUP	7C010070	310 NEW UPPER ROLLER GROUP
59	4C010070	PROTECTION GEAR SUPPORT	4C010070	PROTECTION GEAR SUPPORT
60	4P020026	310 UPPER PROTECTION	4P020031	310 UPPER PROTECTION
61	4P020006	310 LOWER PROTECTION	4P020015	310 LOWER PROTECTION
62	4C010070	PROTECTION GEAR SUPPORT	4C010070	PROTECTION GEAR SUPPORT
63	7G010068	310 NEW LOWER ROLLER GROUP	7G010072	310 NEW LOWER ROLLER GROUP
64	5L500020	UNI 6604-A 5X5X20 KEY	5L500020	UNI 6604-A 5X5X20 KEY
65	5L500024	UNI 6604-A 5X5X60 KEY	5L500024	UNI 6604-A 5X5X60 KEY
66	3C010001	COUNTERBALANCE ROCKING	3C010001	COUNTERBALANCE ROCKING
67	4P030016	DX FOOT 310 NEW	4P030021	DX FOOT 310 NEW
68	3P030001	PIN ROCKING INOX D.8	3P030001	PIN ROCKING INOX D.8
70	5I100001	SWITCH	5I100001	SWITCH
72	4P030017	SX FOOT 310 NEW	4P030022	SX FOOT 310 NEW
73	5P020001	PEDAL	5P020001	PEDAL
74	5P200001	PEDAL POWER	5P200001	PEDAL POWER
75	5V050005	230V FAN	5V050005	230V FAN
78	3T300010	ROLL MACHINE HOLDING BELT	3T300010	ROLL MACHINE HOLDING BELT
79	3P010010	ROLL MACHINE PULLEY	3P010010	ROLL MACHINE PULLEY
80	5P100015	Ø 6-10,5 CABLE PRESS	5P100015	Ø 6-10,5 CABLE PRESS
81	5M020010	ROLL MACHINE MOTOR 0,25KW 230V	5M020010	ROLL MACHINE MOTOR 0,25KW 230V

	<b>71010002</b>	<b>COMPLETE ECCENTRIC DUCT GEAR</b>	<b>71010002</b>	<b>COMPLETE ECCENTRIC DUCT GEAR</b>
30	3I010002	ECCENTRIC GEAR HUB	3I010002	ECCENTRIC GEAR HUB
16	5I200006	STEEL DUCT GEAR	5I200006	STEEL DUCT GEAR
15	5B100010	BUSH	5B100010	BUSH
29 (2x)	5L500015	UNI 6604-A 5X5X10 KEY	5L500015	UNI 6604-A 5X5X10 KEY

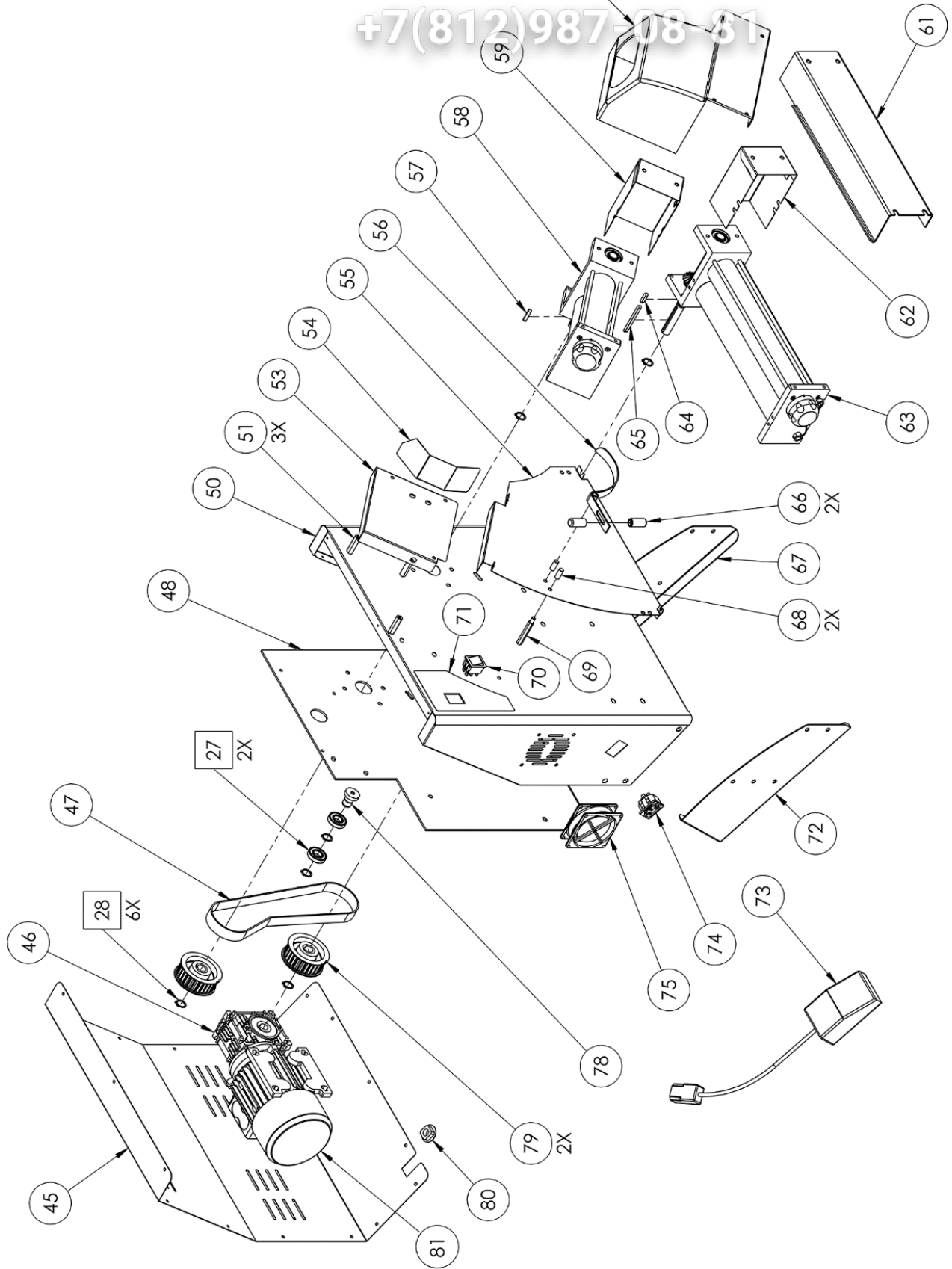
	<b>71010001</b>	<b>COMPLETE CYLINDRICAL DUCT GEAR</b>	<b>71010001</b>	<b>COMPLETE CYLINDRICAL DUCT GEAR</b>
14	3I010006	CYLINDRICAL GEAR HUB	3I010006	CYLINDRICAL GEAR HUB
16	5I200006	STEEL DUCT GEAR	5I200006	STEEL DUCT GEAR
15	5B100010	BUSH	5B100010	BUSH
29 (2x)	5L500015	UNI 6604-A 5X5X10 KEY	5L500015	UNI 6604-A 5X5X10 KEY

\* EXPLODED REFERENCE TO SPARE PARTS ABOUT THE ROLLER GROUP, AT THE END MANUAL.

Зип Ощепит

vsezip.ru

+7(812)987-08-81



# Зип Цеппит

vsezip.ru

## 310 T&G NEW ROLLING MACHINE

## 310 T&G NEW ROLLING MACHINE

POS.	ART.	DESCRIPTION	ART.	DESCRIPTION
1	5T100001	PLUG STRAP	5T100001	PLUG STRAP
2	5S500001	SEEGER Ø10 UNI 7435	5S500001	SEEGER Ø10 UNI 7435
3	3P020001	KNOB CONTROL	3P020001	KNOB CONTROL
5	5S510005	CILINDRIC SHEET 3X14	5S510005	CILINDRIC SHEET 3X14
6	3S010032	LOWER ROLLERS SUPPORT	3S010032	LOWER ROLLERS SUPPORT
7	3S010027	UPPER ROLLERS SUPPORT	3S010027	UPPER ROLLERS SUPPORT
9	3A010042	LOWER CILINDRIC SHAFT 310	3A010042	LOWER CILINDRIC SHAFT 310
10	3A010032	UPPER CILINDRIC SHAFT 310	3A010032	UPPER CILINDRIC SHAFT 310
11	3R020005	BACK DOUGH SCRAPER 310	3R020010	BACK DOUGH SCRAPER 310
12	3R010010	LOWER CILINDRIC ROLLER 310	3R010020	LOWER CILINDRIC ROLLER 310
13	3R010001	UPPER CILINDRIC ROLLER 310	3R010005	UPPER CILINDRIC ROLLER 310
17	5A010001	ELASTIC RING	5A010001	ELASTIC RING
18	3A010072	LOWER MOTOR SHAFT	3A010072	LOWER MOTOR SHAFT
19	3A010071	UPPER MOTOR SHAFT	3A010071	UPPER MOTOR SHAFT
20	5C030000	KBC 6202 ZZ BEARING	5C030000	KBC 6202 ZZ BEARING
21	5L500017	UNI 6604-A 5X5X14 KEY	5L500017	UNI 6604-A 5X5X14 KEY
22	5I200005	DRIVING GEAR	5I200005	DRIVING GEAR
25	3S010007	LOWER GEARS SUPPORT	3S010007	LOWER GEARS SUPPORT
26	3S010003	UPPER GEARS SUPPORT	3S010003	UPPER GEARS SUPPORT
27	5C030007	16002 ZZ BEARING	5C030007	16002 ZZ BEARING
28	5S500010	SEEGER Ø15 UNI 7435	5S500010	SEEGER Ø15 UNI 7435
31	5G010005	MALE COUPLING	5G010005	MALE COUPLING
32	5G010001	FEMALE COUPLING	5G010001	FEMALE COUPLING
33	3R010050	LOWER ECCENTRIC ROLLER 310	3R010060	LOWER ECCENTRIC ROLLER 310
34	3R010040	UPPER ECCENTRIC ROLLER 310	3R010045	UPPER ECCENTRIC ROLLER 310
35	3R020025	FRONT DOUGH SCRAPER 310	3R020030	FRONT DOUGH SCRAPER 310
36	3T050035	LOWER STAY ROD 310	3T050025	LOWER STAY ROD 310
37	3T050040	UPPER STAY ROD 310	3T050030	UPPER STAY ROD 310
38	3A010011	LOWER ECCENTRIC SHAFT 310	3A010016	LOWER ECCENTRIC SHAFT 310
39	3A010002	UPPER ECCENTRIC SHAFT 310	3A010006	UPPER ECCENTRIC SHAFT 310
41	5M500005	DOUGH SCRAPER SPRING	5M500005	DOUGH SCRAPER SPRING
42	5L500010	UNI 6604-A 4X4X15 KEY	5L500010	UNI 6604-A 4X4X15 KEY
43	5M500001	KNOB REGULATION SPRING	5M500001	KNOB REGULATION SPRING
45	4C010016	BACK COVER 310 NEW	4C010008	BACK COVER 310 NEW
46	5R010001	NMRV30 REDUCER	5R010001	NMRV30 REDUCER
47	5C020010	310 ROLL MACHINE BELT	5C020015	310 ROLL MACHINE BELT
48	4P010007	310 NEW PLATE	4P010012	310 NEW PLATE
50	4T010108	310 T&G NEW CHASSIS	4T010113	310 T&G NEW CHASSIS
51	3D010005	UPPER SLIDE SPACER	3D010005	UPPER SLIDE SPACER
52	5S010070	CAPACITIVE SENSOR T&G ROLLING MACHINES	5S010070	CAPACITIVE SENSOR T&G ROLLING MACHINES
53	4S010002	310 T&G UPPER SLIDE	4S010007	310 T&G UPPER SLIDE
54	4D010001	DEFLECTOR	4D010001	DEFLECTOR

# Зип Общепит

55	4S010071	310 NEW LOWER SLIDE	4S010074	310 NEW LOWER SLIDE
56	4B010001	ROCKING 310	4B010005	ROCKING 310
57	5L500031	UNI6604-A 5X5X25 KEY	5L500031	UNI6604-A 5X5X25 KEY
58	7G010066	310 NEW UPPER ROLLER GROUP	7G010070	310 NEW UPPER ROLLER GROUP
59	4C010070	PROTECTION GEAR SUPPORT	4C010070	PROTECTION GEAR SUPPORT
60	4P020026	310 UPPER PROTECTION	4P020031	310 UPPER PROTECTION
61	4P020006	310 LOWER PROTECTION	4P020015	310 LOWER PROTECTION
62	4C010070	PROTECTION GEAR SUPPORT	4C010070	PROTECTION GEAR SUPPORT
63	7G010068	310 NEW LOWER ROLLER GROUP	7G010072	310 NEW LOWER ROLLER GROUP
64	5L500020	UNI 6604-A 5X5X20 KEY	5L500020	UNI 6604-A 5X5X20 KEY
65	5L500024	UNI 6604-A 5X5X60 KEY	5L500024	UNI 6604-A 5X5X60 KEY
66	3C010001	COUNTERBALANCE ROCKING	3C010001	COUNTERBALANCE ROCKING
67	4P030016	DX FOOT 310 NEW	4P030021	DX FOOT 310 NEW
68	3P030001	PIN ROCKING INOX D.8	3P030001	PIN ROCKING INOX D.8
70	5I100001	SWITCH	5I100001	SWITCH
72	4P030017	SX FOOT 310 NEW	4P030022	SX FOOT 310 NEW
75	5V050005	230V FAN	5V050005	230V FAN
77	5C150030	CONTROL UNIT	5C150030	CONTROL UNIT
78	3T300010	ROLL MACHINE HOLDING BELT	3T300010	ROLL MACHINE HOLDING BELT
79	3P010010	ROLL MACHINE PULLEY	3P010010	ROLL MACHINE PULLEY
80	5P100015	Ø 6-10,5 CABLE PRESS	5P100015	Ø 6-10,5 CABLE PRESS
81	5M020010	ROLL MACHINE MOTOR 0,25KW 230V	5M020010	ROLL MACHINE MOTOR 0,25KW 230V

	<b>71010002</b>	<b>COMPLETE ECCENTRIC DUCT GEAR</b>	<b>71010002</b>	<b>COMPLETE ECCENTRIC DUCT GEAR</b>
30	3I010002	ECCENTRIC GEAR HUB	3I010002	ECCENTRIC GEAR HUB
16	5I200006	STEEL DUCT GEAR	5I200006	STEEL DUCT GEAR
15	5B100010	BUSH	5B100010	BUSH
29 (2x)	5L500015	UNI 6604-A 5X5X10 KEY	5L500015	UNI 6604-A 5X5X10 KEY

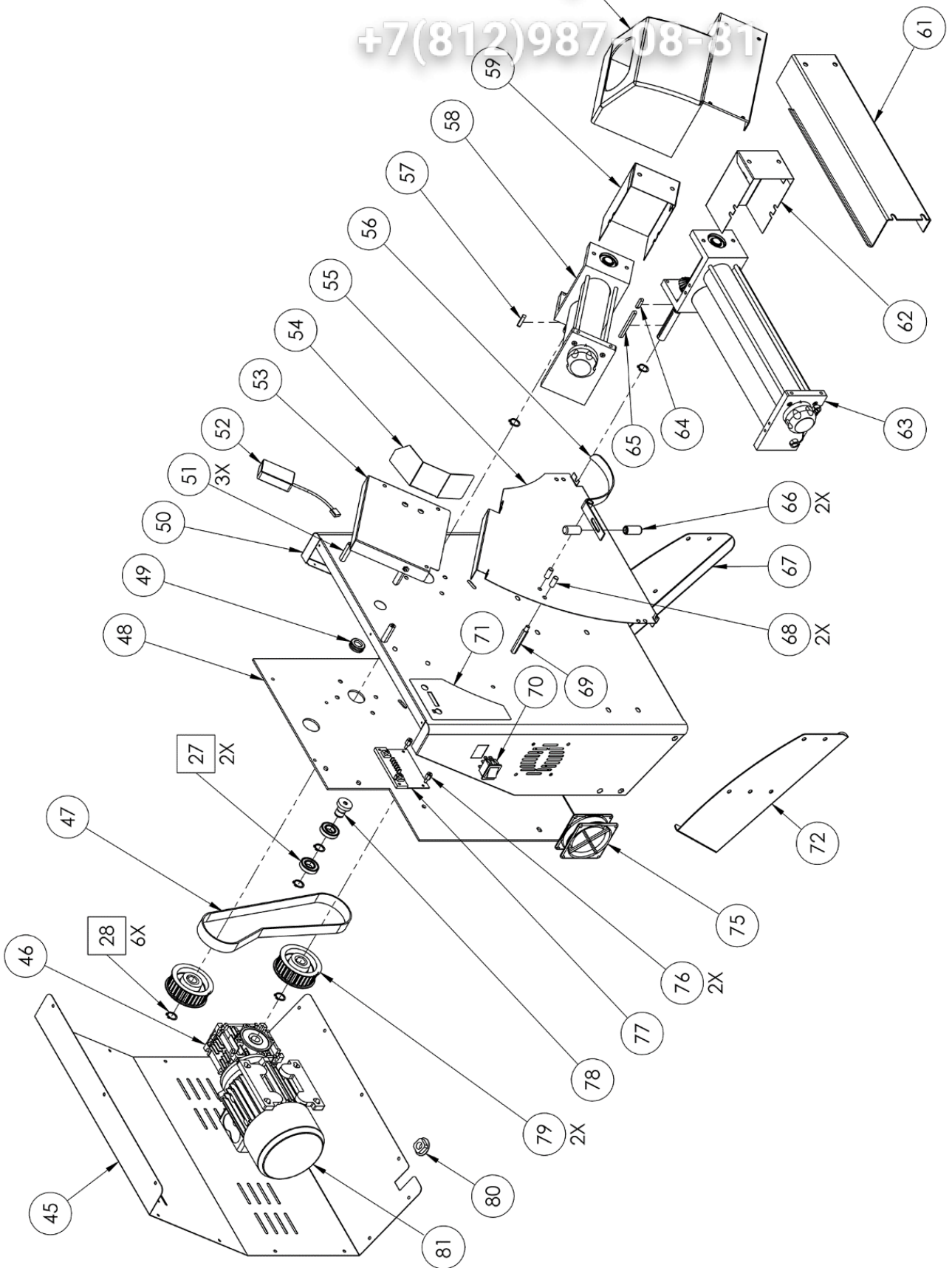
	<b>71010001</b>	<b>COMPLETE CYLINDRICAL DUCT GEAR</b>	<b>71010001</b>	<b>COMPLETE CYLINDRICAL DUCT GEAR</b>
14	3I010006	CYLINDRICAL GEAR HUB	3I010006	CYLINDRICAL GEAR HUB
16	5I200006	STEEL DUCT GEAR	5I200006	STEEL DUCT GEAR
15	5B100010	BUSH	5B100010	BUSH
29 (2x)	5L500015	UNI 6604-A 5X5X10 KEY	5L500015	UNI 6604-A 5X5X10 KEY

**\* EXPLODED REFERENCE TO SPARE PARTS ABOUT THE ROLLER GROUP, AT THE END MANUAL.**

Зип Общепит

vsezip.ru

+7(812)987-08-81



# Зип Ощепит

vsezip.ru

## 420 RP NEW ROLLING MACHINE

## 500 RP NEW ROLLING MACHINE

POS.	ART.	DESCRIPTION	ART.	DESCRIPTION
1	5T100001	PLUG STRAP	5T100001	PLUG STRAP
2	5S500001	SEEGER Ø10 UNI 7435	5S500001	SEEGER Ø10 UNI 7435
3	3P020001	KNOB CONTROL	3P020001	KNOB CONTROL
5	5S510005	CILINDRIC SHEET 3X14	5S510005	CILINDRIC SHEET 3X14
6	3S010032	LOWER ROLLERS SUPPORT	3S010032	LOWER ROLLERS SUPPORT
7	3S010038	UPPER ROLLERS SUPPORT	3S010038	UPPER ROLLERS SUPPORT
9	3A010047	LOWER CILINDRIC SHAFT 420	3A010054	LOWER CILINDRIC SHAFT 420
10	3A010042	LOWER CILINDRIC SHAFT 310	3A010042	LOWER CILINDRIC SHAFT 310
11	3R020010	BACK DOUGH SCRAPER 420	3R020003	BACK DOUGH SCRAPER 420
12	3R010020	LOWER CILINDRIC ROLLER 420	3R010030	LOWER CILINDRIC ROLLER 420
13	3R010005	UPPER CILINDRIC ROLLER 420	3R010015	UPPER CILINDRIC ROLLER 420
17	5A010001	ELASTIC RING	5A010001	ELASTIC RING
18	3A010072	LOWER MOTOR SHAFT	3A010072	LOWER MOTOR SHAFT
19	3A010081	UPPER MOTOR SHAFT RP	3A010081	UPPER MOTOR SHAFT RP
20	5C030000	KBC 6202 ZZ BEARING	5C030000	KBC 6202 ZZ BEARING
21	5L500017	UNI 6604-A 5X5X14 KEY	5L500017	UNI 6604-A 5X5X14 KEY
22	5I200005	DRIVING GEAR	5I200005	DRIVING GEAR
25	3S010007	LOWER GEARS SUPPORT	3S010007	LOWER GEARS SUPPORT
26	3S010013	UPPER GEARS SUPPORT RP	3S010013	UPPER GEARS SUPPORT RP
27	5C030007	16002 ZZ BEARING	5C030007	16002 ZZ BEARING
28	5S500010	SEEGER Ø15 UNI 7435	5S500010	SEEGER Ø15 UNI 7435
31	5G010005	MALE COUPLING	5G010005	MALE COUPLING
32	5G010001	FEMALE COUPLING	5G010001	FEMALE COUPLING
33	3R010060	LOWER ECCENTRIC ROLLER 420	3R010070	LOWER ECCENTRIC ROLLER 420
34	3R010055	UPPER ECCENTRIC ROLLER 310 RP	3R010055	UPPER ECCENTRIC ROLLER 310 RP
35	3R020030	FRONT DOUGH SCRAPER 420	3R020023	FRONT DOUGH SCRAPER 420
36	3T050025	LOWER STAY ROD 420	3T050020	LOWER STAY ROD 420
37	3T050035	LOWER STAY ROD 310	3T050035	LOWER STAY ROD 310
38	3A010016	LOWER ECCENTRIC SHAFT 420	3A010024	LOWER ECCENTRIC SHAFT 420
39	3A010011	LOWER ECCENTRIC SHAFT 310	3A010011	LOWER ECCENTRIC SHAFT 310
41	5M500005	DOUGH SCRAPER SPRING	5M500005	DOUGH SCRAPER SPRING
42	5L500010	UNI 6604-A 4X4X15 KEY	5L500010	UNI 6604-A 4X4X15 KEY
43	5M500001	KNOB REGULATION SPRING	5M500001	KNOB REGULATION SPRING
45	4C010008	BACK COVER 420 NEW	4C010019	BACK COVER 420 NEW
46	5R010001	NMRV30 REDUCER	5R010001	NMRV30 REDUCER
47	5C020015	310 ROLL MACHINE BELT	5C020015	310 ROLL MACHINE BELT
48	4P010017	420 RP NEW PLATE	4P010026	420 RP NEW PLATE
50	4T010116	420 RP NEW CHASSIS	4T010119	420 RP NEW CHASSIS
53	4S010010	420 RP UPPER SLIDE	4S010010	420 RP UPPER SLIDE
55	4S010070	420 RP NEW LOWER SLIDE	4S010045	420 RP NEW LOWER SLIDE
57	5L500020	UNI 6604-A 5X5X20 KEY	5L500020	UNI 6604-A 5X5X20 KEY
58	7G010074	420 RP NEW UPPER ROLLER GROUP	7G010074	420 RP NEW UPPER ROLLER GROUP

# Зип Общепит

59	4C010075	UPPER PROTECTION GEAR SUPPORT RP	4C010075	UPPER PROTECTION GEAR SUPPORT RP
60	4P020036	420 RP UPPER PROTECTION	4P020036	420 RP UPPER PROTECTION
61	4P020015	420 LOWER PROTECTION	4P020045	420 LOWER PROTECTION
62	4C010070	PROTECTION GEAR SUPPORT	4C010070	PROTECTION GEAR SUPPORT
63	7G010072	420 NEW LOWER ROLLER GROUP	7G010076	420 NEW LOWER ROLLER GROUP
64	5L500020	UNI 6604-A 5X5X20 KEY	5L500020	UNI 6604-A 5X5X20 KEY
65	5L500024	UNI 6604-A 5X5X60 KEY	5L500024	UNI 6604-A 5X5X60 KEY
67	4P030021	DX FOOT 420 NEW	4P030021	DX FOOT 420 NEW
70	5I100001	SWITCH	5I100001	SWITCH
72	4P030022	SX FOOT 420 NEW	4P030022	SX FOOT 420 NEW
73	5P020001	PEDAL	5P020001	PEDAL
74	5P200001	PEDAL POWER	5P200001	PEDAL POWER
75	5V050005	230V FAN	5V050005	230V FAN
78	3T300010	ROLL MACHINE HOLDING BELT	3T300010	ROLL MACHINE HOLDING BELT
79	3P010010	ROLL MACHINE PULLEY	3P010010	ROLL MACHINE PULLEY
80	5P100015	Ø 6-10,5 CABLE PRESS	5P100015	Ø 6-10,5 CABLE PRESS
81	5M020010	ROLL MACHINE MOTOR 0,25KW 230V	5M020010	ROLL MACHINE MOTOR 0,25KW 230V

	<b>71010002</b>	<b>COMPLETE ECCENTRIC DUCT GEAR</b>	<b>71010002</b>	<b>COMPLETE ECCENTRIC DUCT GEAR</b>
30	3I010002	ECCENTRIC GEAR HUB	3I010002	ECCENTRIC GEAR HUB
16	5I200006	STEEL DUCT GEAR	5I200006	STEEL DUCT GEAR
15	5B100010	BUSH	5B100010	BUSH
29 (2x)	5L500015	UNI 6604-A 5X5X10 KEY	5L500015	UNI 6604-A 5X5X10 KEY

	<b>71010001</b>	<b>COMPLETE CYLINDRICAL DUCT GEAR</b>	<b>71010001</b>	<b>COMPLETE CYLINDRICAL DUCT GEAR</b>
14	3I010006	CYLINDRICAL GEAR HUB	3I010006	CYLINDRICAL GEAR HUB
16	5I200006	STEEL DUCT GEAR	5I200006	STEEL DUCT GEAR
15	5B100010	BUSH	5B100010	BUSH
29 (2x)	5L500015	UNI 6604-A 5X5X10 KEY	5L500015	UNI 6604-A 5X5X10 KEY

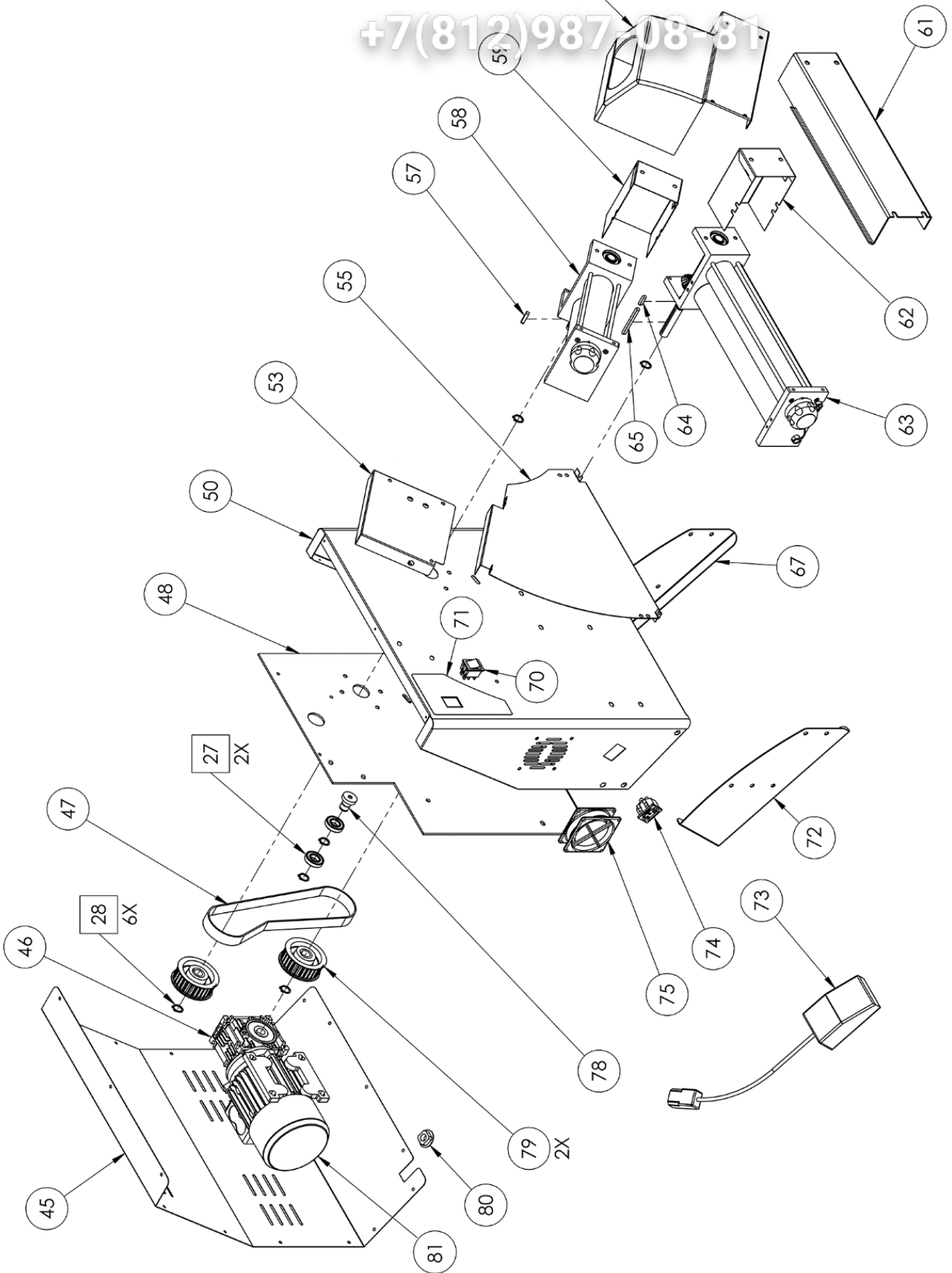
**\* EXPLODED REFERENCE TO SPARE PARTS ABOUT THE ROLLER GROUP, AT THE END MANUAL.**



Зип Ощепит

vsezip.ru

+7(812)98708881



310/1 ROLLING MACHINE			500/1 ROLLING MACHINE		
POS.	ART.	DESCRIPTION	POS.	ART.	DESCRIPTION
1	5T100001	PLUG STRAP	1	5T100001	PLUG STRAP
2	5S500001	SEEGER Ø10 UNI 7435	2	5S500001	SEEGER Ø10 UNI 7435
3	3P020001	KNOB CONTROL	3	3P020001	KNOB CONTROL
5	5S510005	CILINDRIC SHEET 3X14	5	5S510005	CILINDRIC SHEET 3X14
6	3S010032	LOWER ROLLERS SUPPORT	6	3S010032	LOWER ROLLERS SUPPORT
9	3A010042	CILINDRIC SHAFT 310	9	3A010054	CILINDRIC SHAFT 500
11	3R020005	BACK DOUGH SCRAPER 310	11	3R020003	BACK DOUGH SCRAPER 420
12	3R010010	LOWER CILINDRIC ROLLER 310	12	3R010030	LOWER CILINDRIC ROLLER 500
17	5A010001	ELASTIC RING	17	5A010001	ELASTIC RING
18	3A010076	MOTOR SHAFT	18	3A010076	MOTOR SHAFT
20	5C030000	KBC 6202 ZZ BEARING	20	5C030000	KBC 6202 ZZ BEARING
21	5L500017	UNI 6604-A 5X5X14 KEY	21	5L500017	UNI 6604-A 5X5X14 KEY
22	5I200005	DRIVING GEAR	22	5I200005	DRIVING GEAR
25	3S010007	LOWER GEARS SUPPORT	25	3S010007	LOWER GEARS SUPPORT
27	5C030007	16002 ZZ BEARING	27	5C030007	16002 ZZ BEARING
28	5S500010	SEEGER Ø15 UNI 7435	28	5S500010	SEEGER Ø15 UNI 7435
31	5G010005	MALE COUPLING	31	5G010005	MALE COUPLING
32	5G010001	FEMALE COUPLING	32	5G010001	FEMALE COUPLING
33	3R010050	LOWER ECCENTRIC ROLLER 310	33	3R010070	LOWER ECCENTRIC ROLLER 500
35	3R020025	FRONT DOUGH SCRAPER 310	35	3R020023	FRONT DOUGH SCRAPER 500
36	3T050035	LOWER STAY ROD 310	36	3T050020	LOWER STAY ROD 500
38	3A010011	LOWER ECCENTRIC SHAFT 310	38	3A010024	LOWER ECCENTRIC SHAFT 500
41	5M500005	DOUGH SCRAPER SPRING	41	5M500005	DOUGH SCRAPER SPRING
42	5L500010	UNI 6604-A 4X4X15 KEY	42	5L500010	UNI 6604-A 4X4X15 KEY
43	5M500001	KNOB REGULATION SPRING	43	5M500001	KNOB REGULATION SPRING
45	4C010004	BACK COVER 310	45	4C010015	BACK COVER 500
46	5R010001	NMRV30 REDUCER	46	5R010001	NMRV30 REDUCER
48	4P010004	310 PLATE	48	4P010020	500 PLATE
50	4T010004	310 CHASSIS	50	4T010030	500 CHASSIS
53	4S010020	310 UPPER SLIDE	53	4S010050	500 UPPER SLIDE
61	4P020037	310 LOWER PROTECTION	61	4P020044	500 LOWER PROTECTION
62	4C010070	PROTECTION GEAR SUPPORT	62	4C010070	PROTECTION GEAR SUPPORT
63	7G010060	310/1 NEW ROLLER GROUP	63	7G010064	500 NEW ROLLER GROUP
65	5L500024	UNI 6604-A 5X5X60 KEY	65	5L500001	UNI 6604-A 6X6X60 KEY
67	4P030002	DX FOOT	67	4P030002	DX FOOT
70	5I100001	SWITCH	70	5I100001	SWITCH

# Зип Общепит

vsezip.ru

+7(812)987-08-81

72	4P030006	SX FOOT	72	4P030006	SX FOOT
73	5P020001	PEDAL	73	5P020001	PEDAL
74	5P200001	PEDAL POWER	74	5P200001	PEDAL POWER
75	5V050005	230V FAN	75	5V050005	230V FAN
80	5P100015	Ø 6-10,5 CABLE PRESS	80	5P100015	Ø 6-10,5 CABLE PRESS
81	5M020010	ROLL MACHINE MOTOR 0,25KW 230V	81	5M020010	ROLL MACHINE MOTOR 0,25KW 230V

	71010001	COMPLETE CYLINDRICAL DUCT GEAR
14	3I010006	CYLINDRICAL GEAR HUB
15	5B100010	BUSH
16	5I200006	STEEL DUCT GEAR
29 (2x)	5L500015	UNI 6604-A 5X5X10 KEY

	71010001	COMPLETE CYLINDRICAL DUCT GEAR
14	3I010006	CYLINDRICAL GEAR HUB
15	5B100010	BUSH
16	5I200006	STEEL DUCT GEAR
29 (2x)	5L500015	UNI 6604-A 5X5X10 KEY

	71010002	COMPLETE ECCENTRIC DUCT GEAR
15	5B100010	BUSH
16	5I200006	STEEL DUCT GEAR
29 (2x)	5L500015	UNI 6604-A 5X5X10 KEY
30	3I010002	ECCENTRIC GEAR HUB

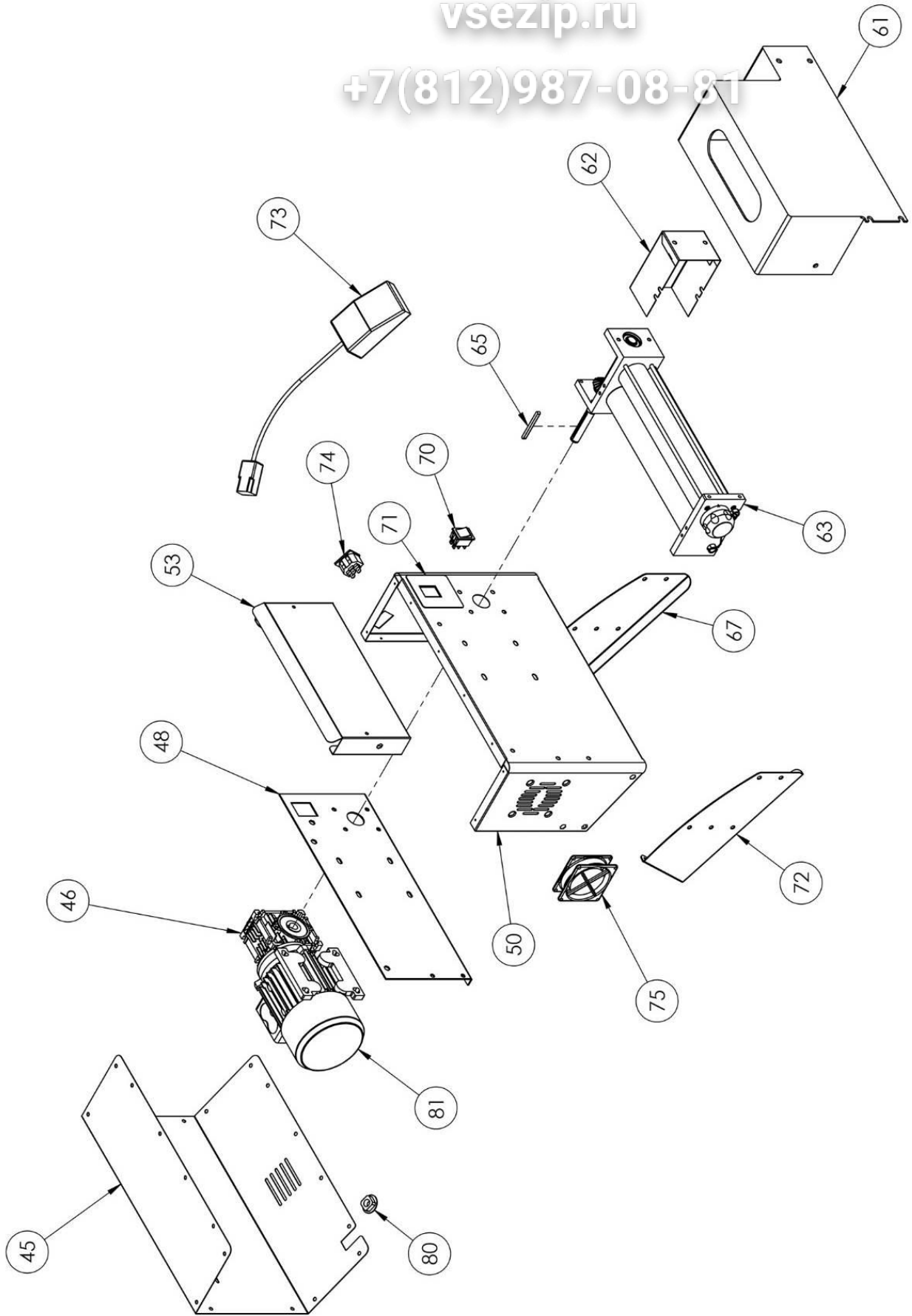
	71010002	COMPLETE ECCENTRIC DUCT GEAR
15	5B100010	BUSH
16	5I200006	STEEL DUCT GEAR
29 (2x)	5L500015	UNI 6604-A 5X5X10 KEY
30	3I010002	ECCENTRIC GEAR HUB

**\* EXPLODED REFERENCE TO SPARE PARTS ABOUT THE ROLLER GROUP, AT THE END MANUAL.**

Зип Общепит

vsezip.ru

+7(812)987-08-81



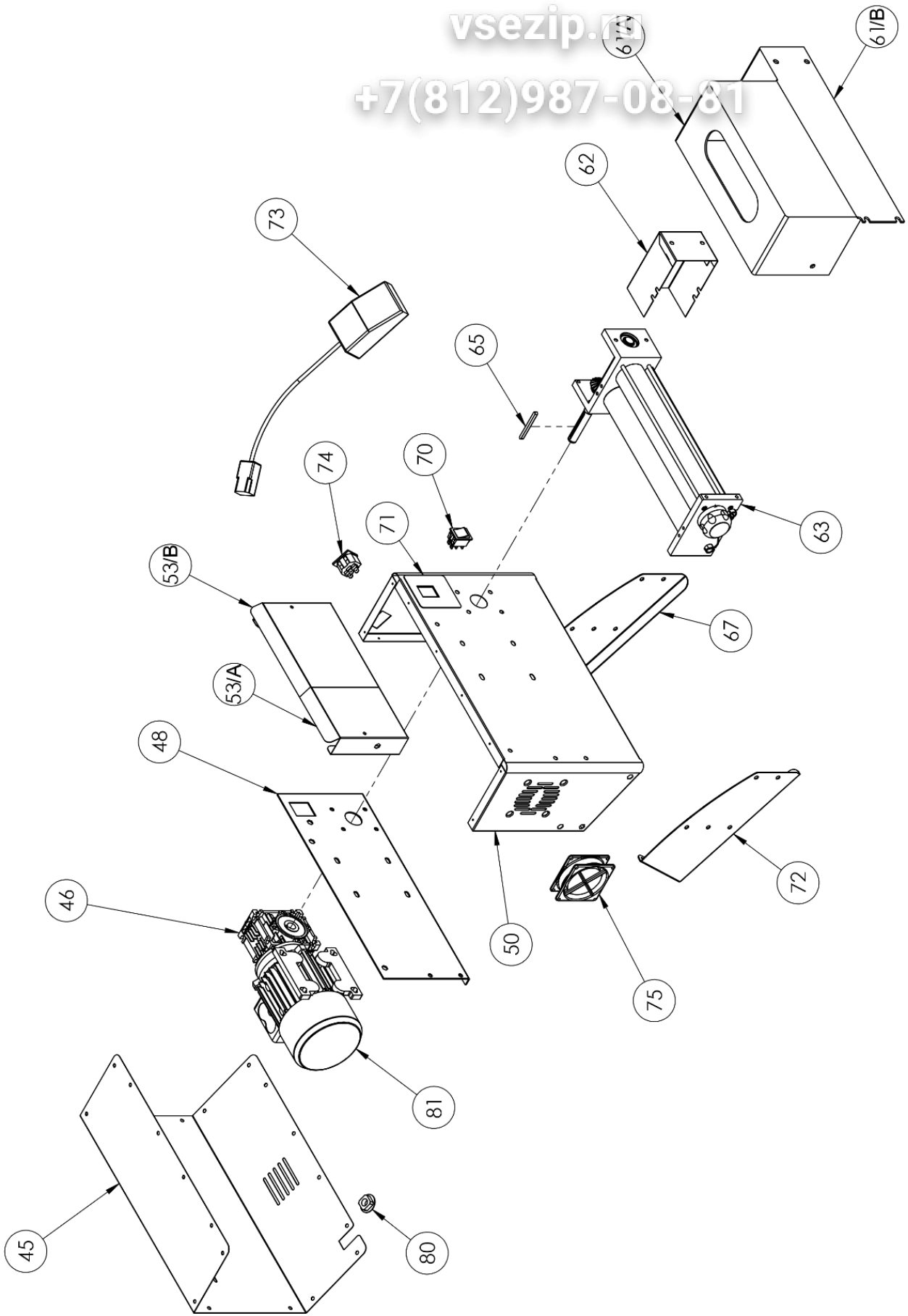
310/2 ROLLING MACHINE					
POS.	ART.	DESCRIPTION			
1	5T100001	PLUG STRAP			
2	5S500001	SEEGER Ø10 UNI 7435	14	3I010006	CYLINDRICAL GEAR HUB
3	3P020001	KNOB CONTROL	15	5B100010	BUSH
5	5S510005	CILINDRIC SHEET 3X14	16	5I200006	STEEL DUCT GEAR
6	3S010032	LOWER ROLLERS SUPPORT	29 (2x)	5L500015	UNI 6604-A 5X5X10 KEY
9	3A010051	310/2 CILINDRIC SHAFT			
11	3R020001	310/2 BACK DOUGH SCRAPER		7I010002	COMPLETE ECCENTRIC DUCT GEAR
12	3R010025	310/2 LOWER CILINDRIC ROLLER	15	5B100010	BUSH
17	5A010001	ELASTIC RING	16	5I200006	STEEL DUCT GEAR
18	3A010076	MOTOR SHAFT	29 (2x)	5L500015	UNI 6604-A 5X5X10 KEY
20	5C030000	KBC 6202 ZZ BEARING	30	3I010002	ECCENTRIC GEAR HUB
21	5L500017	UNI 6604-A 5X5X14 KEY			
22	5I200005	DRIVING GEAR			
25	3S010007	LOWER GEARS SUPPORT			
27	5C030007	16002 2Z BEARING			
28	5S500010	SEEGER Ø15 UNI 7435			
31	5G010005	MALE COUPLING			
32	5G010001	FEMALE COUPLING			
33	3R010065	310/2 LOWER ECCENTRIC ROLLER			
35	3R020020	310/2 FRONT DOUGH SCRAPER			
36	3T050045	310/2 LOWER STAY ROD			
38	3A010021	310/2 LOWER ECCENTRIC SHAFT			
41	5M500005	DOUGH SCRAPER SPRING			
42	5L500010	UNI 6604-A 4X4X15 KEY			
43	5M500001	KNOB REGULATION SPRING			
45	4C010003	310/2 BACK COVER			
46	5R010001	NMRV30 REDUCER			
48	4P010003	310/2 PLATE			
50	4T010003	310/2 CHASSIS			
53/A	4S010010	- 420 RP / 310/2 UPPER SLIDE			
53/B	4S010001	310/2 UPPER SLIDE			
61/A	4P020040	310/2 UPPER PROTECTION			
61/B	4P020041	310/2 LOWER PROTECTION			
62	4C010070	PROTECTION GEAR SUPPORT			
63	7G010062	310/2 NEW ROLLER GROUP			
65	5L500024	UNI 6604-A 5X5X60 KEY			
67	4P030002	DX FOOT			
70	5I100001	SWITCH			
72	4P030006	SX FOOT			
73	5P020001	PEDAL			
74	5P200001	PEDAL POWER			
75	5V050005	230V FAN			
80	5P100015	Ø 6-10,5 CABLE PRESS			
81	5M020010	ROLL MACHINE MOTOR 0,25KW 230V			

\* EXPLODED REFERENCE TO SPARE PARTS ABOUT THE ROLLER GROUP, AT THE END MANUAL.

Зип Общепит

vsezip.ru

+7(812)987-08-81

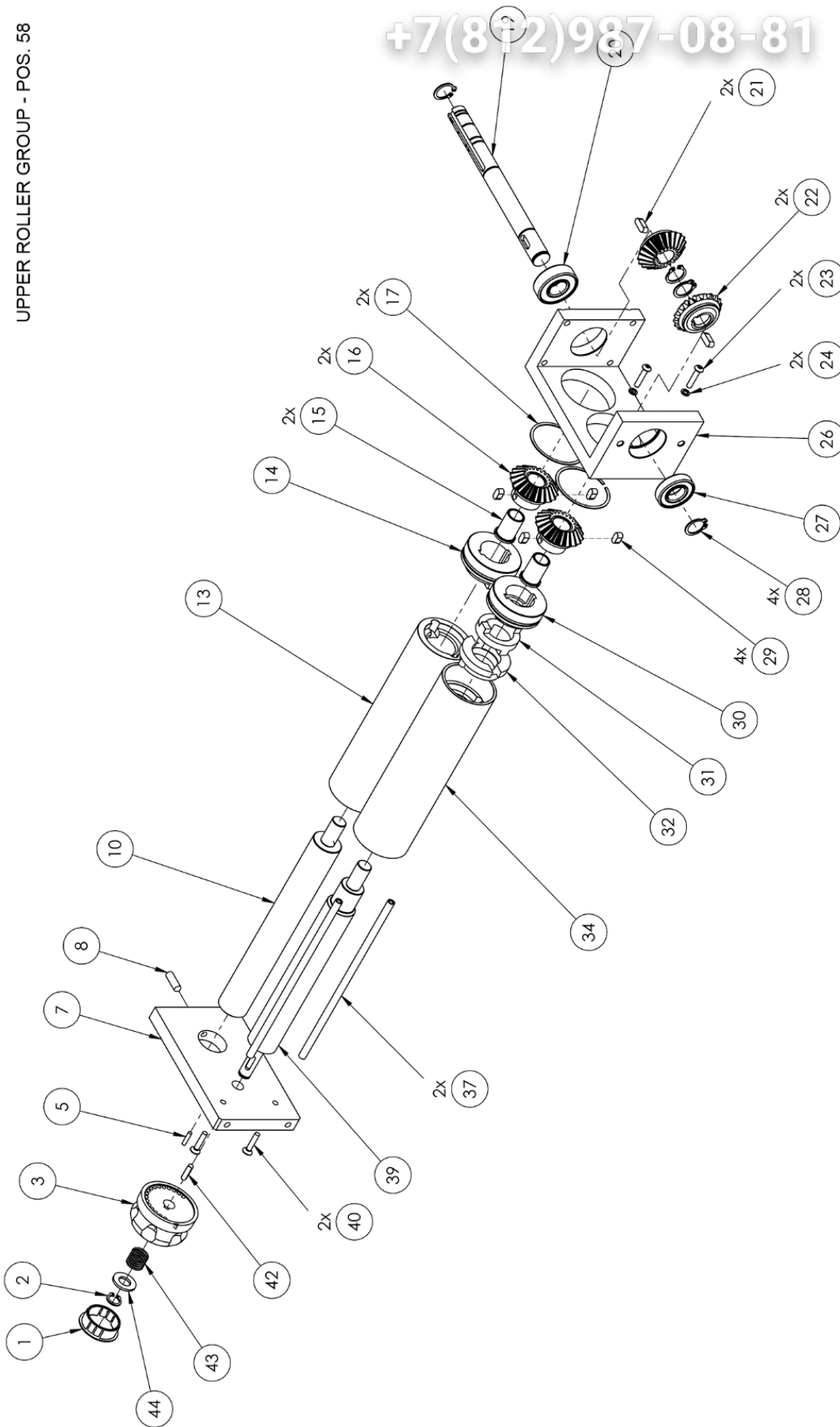


EXPLODED ROLLER GROUP

UPPER FOR 310-420 NEW; 310-420 TG NEW; 420-500 PP NEW

+7(812)987-08-81

UPPER ROLLER GROUP - POS. 58



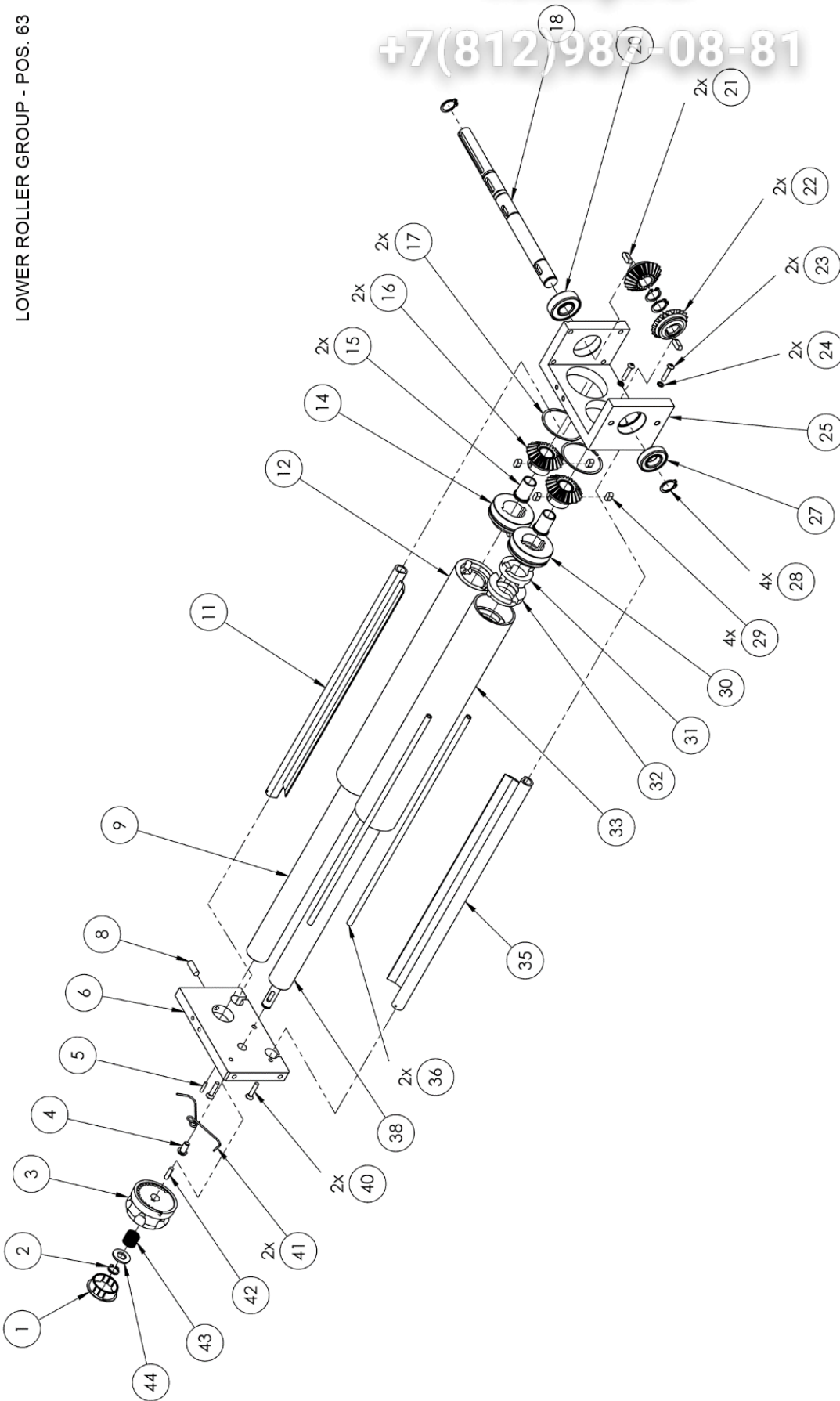
Зип Общепит

LOWER FOR ALL ROLLING MACHINES

vsezip.ru

+7(812)987-08-81

LOWER ROLLER GROUP - POS. 63





**Зип Общепит**

**vsezip.ru**

**+7(812)987-08-81**