

Зип Общепит

DESPIECE TECNICO

vsezip.ru

+7(812)987-08-81

**Lavavaso**  
**Lavevaisselle**  
**Dishwasher**  
**Geschirrspüler**  
**Lavastoviglie**

**Modelos:**

**AD-15**

**AD-15 D**

**AD-21**

**AD-21 B**

**AD-21 C**

**AD-21 D**

**AD-21 DD**

*Diciembre 2009 December*

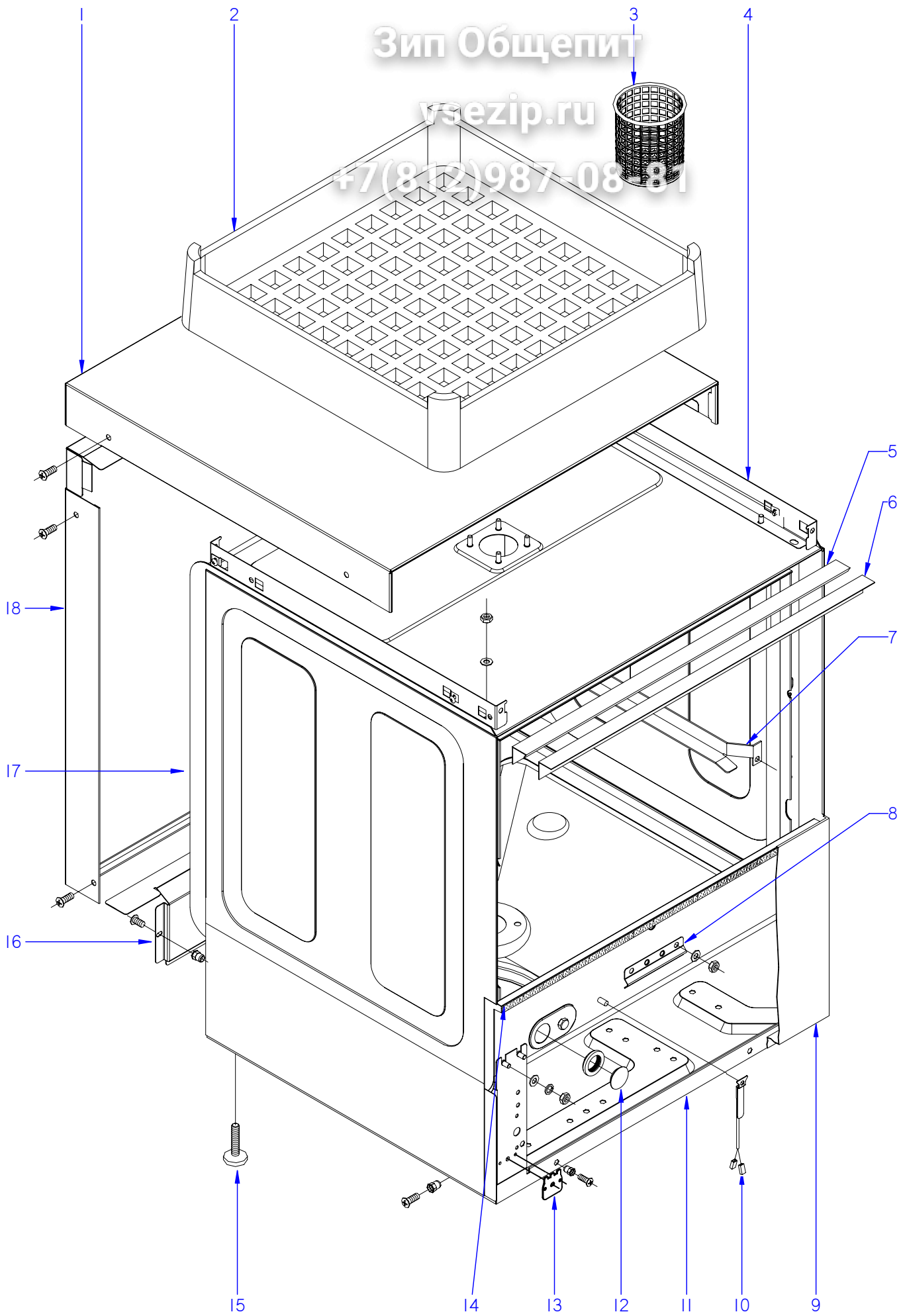


**Fagor Industrial**

Зип Общепит

vsezip.ru

+7(812)987-0881



ITEM MARCADO EN COLOR = REPUESTO RECOMENDADO  
COLOURED ITEM = RECOMMENDED SPARE PART

N plano	Firma	Fecha	Aparato	MUEBLE	Lamina	Fagor Industrial S.Coop. <b>FAGOR</b>
C-2452	<i>(Signature)</i>	2009-12	LAVAVASOS AD		1	Oñate

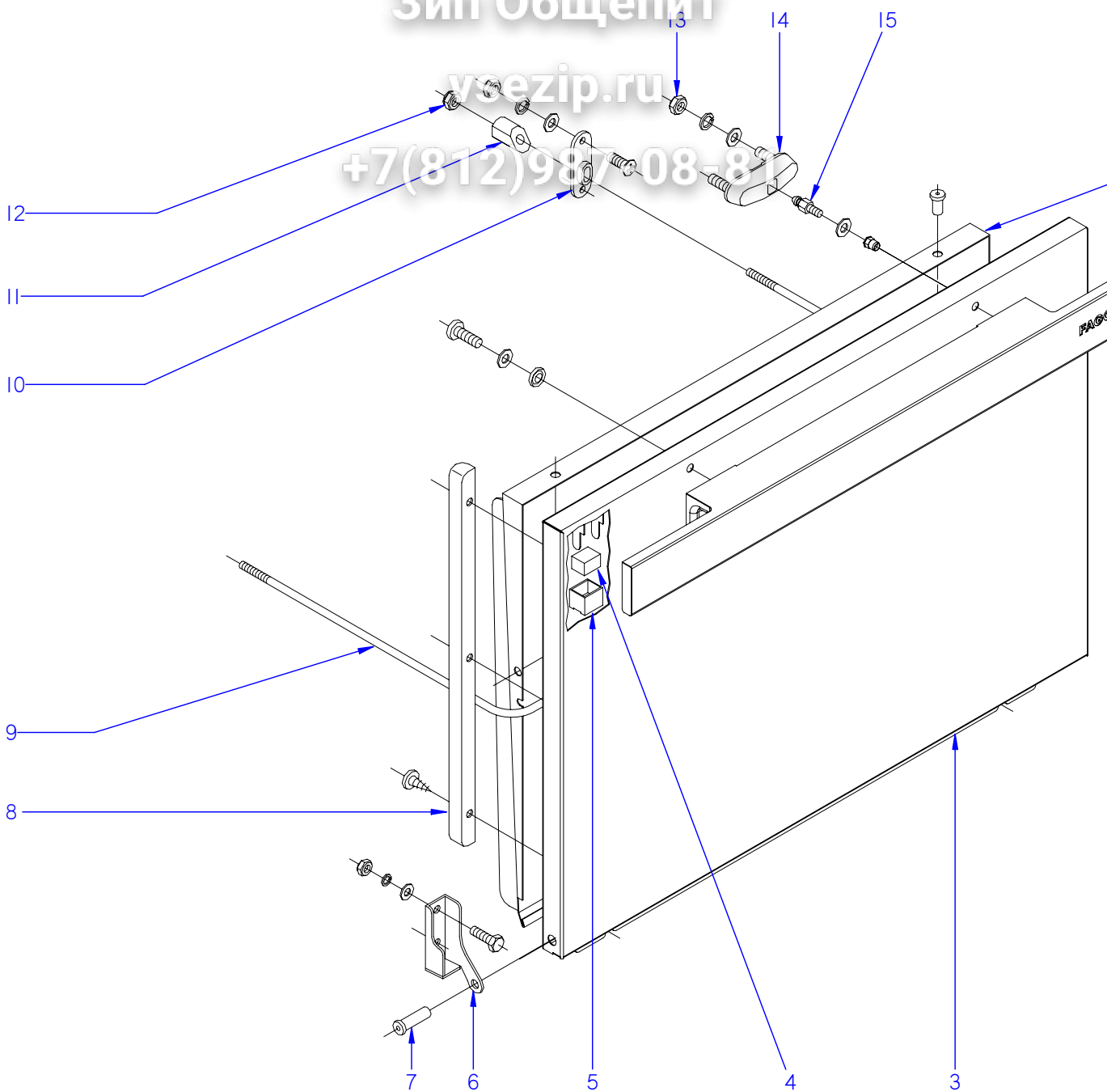
MOD.	LAVAVASOS	ZONA	MUEBLE / UNIT					
ITEM	CODIGO	DENOMINACION	TEXTO	AD-15	AD-15 D	AD-21	AD-21 B	AD-21 C
1	Z412907000	TAPA AD-15	COVER AD-15	1	1	—	—	—
1	Z442908000	TAPA AD-21	COVER AD-21	—	—	1	1	—
1	Z442912000	TAPA AD-21C	COVER AD-21C	—	—	—	—	1
	Q152004000	TORNILLO APLASTADO M5x13 A304	FLAT HEADED BOLT M5x13 A304	8	8	8	8	8
2	Z415320000	CESTILLO LVC-12/15	BASKET LVC-12/15	2	2	—	—	—
2	Z445320000	CESTILLO LVC-21	BASKET LVC-21	—	—	2	2	2
3	Z605303000	CESTILLO CUBIERTOS	CUTLERY BASKET	1	1	1	1	1
S/Nº	Z605302000	SUPLEMENT. CESTILLOS LAVA.-12	SUPPLEMENT. WASH BASKET.-1	1	1	—	—	—
S/N	Z625302000	SUPLEMENT. PLATILLOS LAVAV.18	SUPPLEMENT. GLASS WASHER	—	—	1	1	1
4	Z410309000	ESCUADRA AMARRE TAPA 12-15	FASTENING BRACKET COVER T/	2	2	—	—	—
4	Z420318000	ESCUADRA AMARRE TAPA 21	COVER FASTENING BRACKET 21	—	—	2	2	—
4	Z442915000	ESCUADRA AMARRE TAPA 21 C	COVER FASTENING BRACKET 21	—	—	—	—	2
S/Nº	Z210302000	ESCUADRA DOBLE PARED	FASTENING	—	—	—	—	4
	Q232040000	ARANDELA A6	WASHER A6	4	4	4	4	4
	Q162040000	TUERCA EXAGONAL M6	HEXAGONAL NUT M6	4	4	4	4	4
	Q221012000	TUERCA RAPIDA M,5	RAPID NUT M,5	6	6	6	6	—
5	Z400315000	PERFIL CAJA	BOX PROFILE	1	1	—	—	—
5	Z420315000	PERFIL CAJA	BOX PROFILE	—	—	1	1	1
6	Z400306000	ESCUADRA SUJECCION PERFIL	FASTENING BRACKET PROFILE	1	1	—	—	—
6	Z420306000	ESCUADRA SUJECCION PERFIL	FASTENING BRACKET PROFILE	—	—	1	1	1
	Q232040000	ARANDELA A6	WASHER A6	2	2	2	2	2
	Q262040000	ARANDELA GROW. A6 A.304	WASHER GROW. A6 A.304	2	2	2	2	2
	Q162040000	TUERCA EXAGONAL M6	HEXAGONAL NUT M6	2	2	2	2	2
7	Z410304000	GUIA CESTILLO DERECHA C12-15	RIGHT BASKET GUIDE C12-15	1	1	—	—	—
7	Z440304000	GUIA CESTILLO DERECHA	RIGHT BASKET GUIDE	—	—	1	1	1
S/Nº	Z410303000	GUIA CESTILLO IZQUIERDA C12-15	LEFT BASKET GUIDE C12-15	1	1	—	—	—
S/Nº	Z440303000	GUIA CESTILLO IZQUIERDA	LEFT BASKET GUIDE	—	—	1	1	1
	Q162040000	TUERCA EXAGONAL M6	HEXAGONAL NUT M6	4	4	4	4	4
8	Z748008000	SOPORTE BULBO TERMOSTATO	THERMOSTAT BULB SUPPORT	—	—	—	—	1
	Q162040000	TUERCA EXAGONAL M6	HEXAGONAL NUT M6	—	—	—	—	1
	Q262040000	ARANDELA GROW. A6 A.304	WASHER GROW. A6 A.304	—	—	—	—	1

MOD.		LAVAVASOS		ZONA		MUEBLE / UNIT				
ITEM	CODIGO	DENOMINACION	TEXTO	AD-15	AD-15 D	AD-21	AD-21 B	AD-21 C		
9	Z468611000	PANEL FRONTAL10-12-14-15 NEU	FRONT PANEL10-12-14-15 NEU	1	1	—	—	—	—	
9	Z448611000	PANEL FRONTAL C21	FRONT PANEL C21	—	—	1	—	—	—	
9	Z458611000	PANEL FRONTAL 21B	FRONT PANEL 21B	—	—	—	1	—	—	
9	Z442917000	PANEL FRONTAL AD21C	FRONT PANEL AD21C	—	—	—	—	—	—	
10	Z713028000	SONDA TEMPERATURA GICAR	TEMPERATURA PROBE GICAR	1	1	1	1	1	1	
S/Nº	Z718004000	AMARRE SONDA	PROBE CATCH	1	1	1	1	1	1	
	Q162020000	TUERCA EXAGONAL M4	HEXAGONAL NUT M4	1	1	1	1	1	1	
11	Z468720000	ARMAZON COMPLETO	COMPLETE FRAME	1	1	—	—	—	—	
11	Z420101000	ARMAZON COMPLETO	COMPLETE FRAME	—	—	1	1	—	—	
11	Z440102000	ARMAZON COMPLETO AD-21 C	COMPLETE FRAME AD-21 C	—	—	—	—	—	—	
12	P443060000	TAPON	STOPPER	1	1	1	1	1	1	
S/Nº	N503017000	SOPORTE TERMOSTATO 1001713	THERMOSTAT SUPPORT 100171	1	1	1	1	1	1	
13	Z713038000	REGU. TERMOS. TANQUE 60 °C	THERM.TANQUE REGULATOR	1	1	1	1	1	1	
14	Z400309000	PERFIL INFERIOR CAJA	BOX LOWER PROFILE	1	1	—	—	—	—	
14	Z420309000	PERFIL INFERIOR CAJA	BOX LOWER PROFILE	—	—	1	1	—	—	
15	Z200107000	PATA REGULABLE	ADJUSTABLE LEG	4	4	4	4	4	4	
16	Z402908000	PANEL POSTERIOR INFERIO. 1-4-2-5	LOWER REAR PANEL. 1-4-2-5	1	1	—	—	—	—	
16	Z422908000	PANEL POSTERIOR INFERIOR 20-21	LOWER REAR PANEL 20-21	—	—	1	1	—	—	
17	Z468730000	CAJA SOLDADA	WELDED BOX	1	—	—	—	—	—	
17	Z480311000	CAJA SOLDADA LVC-15D	WELDED BOX LVC-15D	—	1	—	—	—	—	
17	Z440313000	CAJA SOLDADA AD-21	WELDED BOX ADC-21	—	—	1	1	—	—	
17	Z500311000	CAJA SOLDADA LVC-21D	WELDED BOX LVC-21D	—	—	—	—	—	—	
	Q162040000	TUERCA EXAGONAL M6	HEXAGONAL NUT M6	8	8	8	8	8	8	
	Q232040000	ARANDELA A6	WASHER A6	8	8	8	8	8	8	
	Q262040000	ARANDELA GROW. A6 A.304	WASHER GROW. A6 A.304	8	8	8	8	8	8	
18	Z402902000	PANEL POSTERIOR A R-10 C-12	REAR PANEL A R-10 C-12	1	1	—	—	—	—	
18	Z422902000	PANEL POSTERIOR R20-C21	REAR PANEL R20-C21	—	—	1	1	—	—	
18	Z442916000	PANEL POSTERIOR AD21C	REAR PANEL AD21C	—	—	—	—	—	—	
S/Nº	Z442913000	PANEL LATERAL IZDO. AD-21 C	LATERAL LEFT RANGE AD-21C	—	—	—	—	—	—	
S/Nº	Z442914000	PANEL LATERAL DCHO AD-21 C	LATERAL RIGHT RANGE AD-21C	—	—	—	—	—	—	

Зип Общепит

vsezip.ru

+7(812)987-08-81



ITEM MARCADO EN COLOR = REPUESTO RECOMENDADO  
COLOURED ITEM = RECOMMENDED SPARE PART

N plano	C-2453
Firma	
Fecha	2009-12
Aparato	LAVAVASOS AD
Lamina	2
PUERTA	
Fagor Industrial S. Coop.	
Oríete	

# Зип Общепит

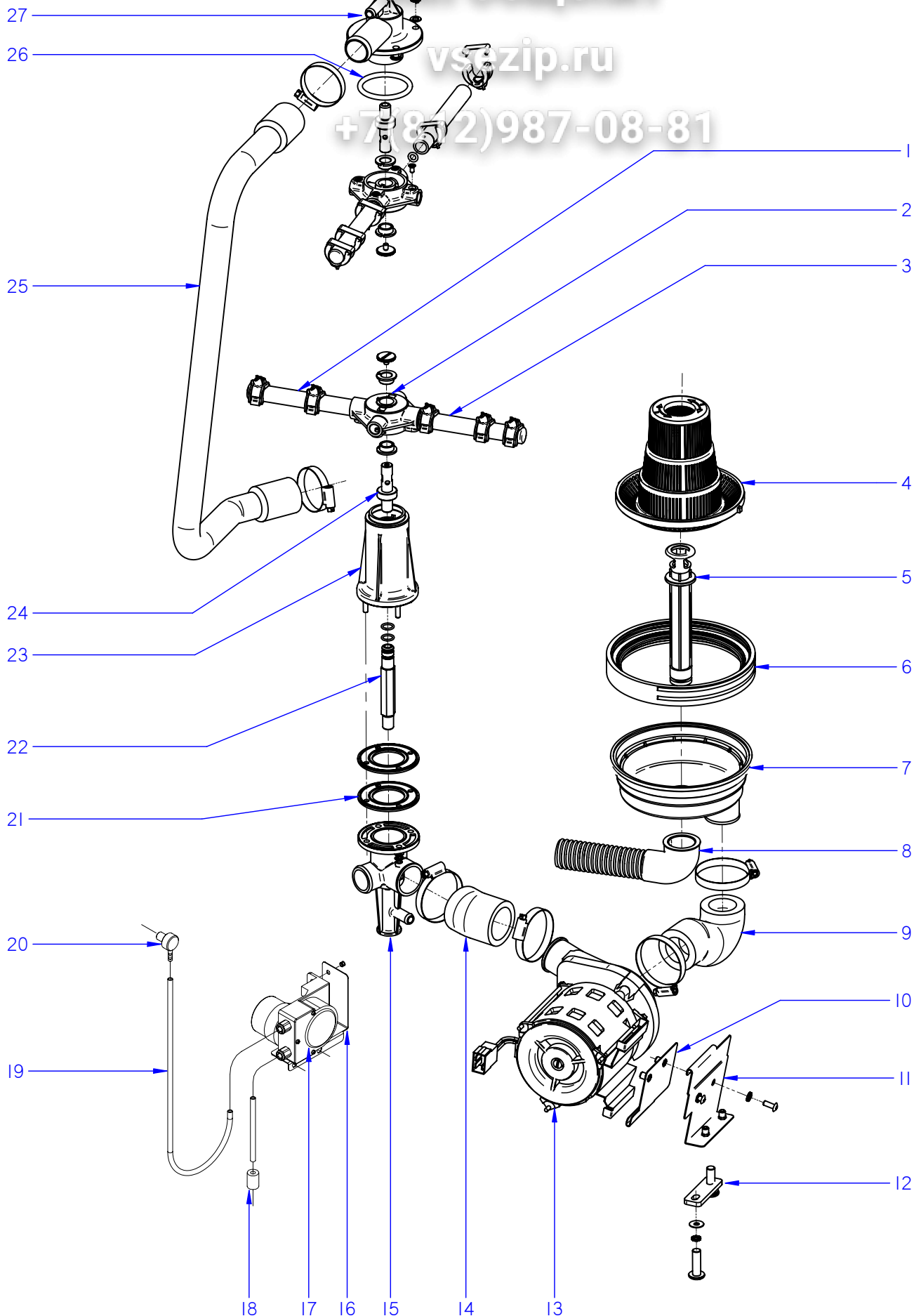
MOD.		LAVAVASOS	ZONA	PUERTA / DOOR				
ITEM	CODIGO	DENOMINACION	TEXTO	AD-15	AD-15 D	AD-21	AD-21 B	AD-21 C
1	Z400511000	CONTRAPUERTA COMPLETA	COMPL. DOOR REVERSE	1	1	-	-	-
1	Z420513000	CONTRAPUERTA COMPL. R20-C21	COMPL. DOOR REVERSE R20-C21	-	-	1	1	1
	Q412000000	REMACHE TUBULAR 4 x 8	TUBULAR RIVET 4 x 8	4	4	4	4	4
2	Z460501000	ASA AD-12	HANDLE AD-12	1	1	-	-	-
2	Z440501000	ASA AD-21	HANDLE AD-21	-	-	1	1	-
2	Z450501000	ASA AD-21 C	HANDLE AD-21 C	-	-	-	-	1
S/Nº	Z200564000	TACO SUJECCION	FASTENING RAWL	2	2	2	2	2
	Q012045000	TORNILLO EXAGONAL M6X30	HEXAGONAL BOLT M6x30	2	2	2	2	2
	Q262040000	ARANDELAGROW. A6 A.304	WASHER GROW. A6 A.304	2	2	2	2	2
3	Z410502000	PUERTA COMPLETA AD-15	COMPLETE DOOR AD-15	1	1	-	-	-
3	Z440504000	PUERTA COMPLETA AD-21	COMPLETE DOOR AD-21	-	-	1	1	1
4	Z200506000	IMAN	MAGNET	1	1	1	1	1
5	Z200507000	PROTECTOR IMAN	MAGNET PROTECTOR	1	1	1	1	1
6	Z400514000	BISAGRA IZQUIERDA T-C.	LEFT HINGE T-C.	1	1	1	1	1
S/Nº	Z400515000	BISAGRA DERECHA T-C.	RIGHT HINGE T-C.	1	1	1	1	1
	Q012042000	TORNILLO EXAGONAL M6X15	HEXAGONAL BOLT M6x15	4	4	4	4	4
	Q232040000	ARANDELA A6	WASHER A6	4	4	4	4	4
	Q262040000	ARANDELAGROW. A6 A.304	WASHER GROW. A6 A.304	4	4	4	4	4
	Q162040000	TUERCA EXAGONAL M6	HEXAGONAL NUT M6	4	4	4	4	4
7	Z400516000	EJE PUERTA	DOOR SHAFT	2	2	2	2	2
8	Z400522000	GUIA IZQUIERDA	LEFT GUIDE	1	1	-	-	-
8	Z420522000	GUIA IZQUIERDA	LEFT GUIDE	-	-	1	1	1
S/Nº	Z400521000	GUIA DERECHA	RIGHT GUIDE	1	1	-	-	-
S/Nº	Z420521000	GUIA DERECHA	RIGHT GUIDE	-	-	1	1	1
	Q412000000	REMACHE TUBULAR 4 x 8	TUBULAR RIVET 4 x 8	4	4	4	4	4
9	Z420519000	VARILLA TENSOR	TIGHTENER ROD	-	-	1	1	1
10	Z200310000	SOPORTE TENSOR	TIGHTENER SUPPOR	-	-	2	2	2
11	Z200522000	SENSOR PUERTA	TIGHTENER DOOR	-	-	2	2	2
12	Q222012000	TUERCA AUTOB. M6	SELF-LOCKING NUT M6	-	-	2	2	2
13	Q222012000	TUERCA AUTOB. M6	SELF-LOCKING NUT M6	2	2	2	2	2
14	Z200607000	CONJUNTO CIERRE PUER.T-CO	LOCK UNIT PUERTAT-CC	1	1	1	1	1



3ip Общепит

vs.zip.ru

+7(812)987-08-81



ITEM MARCADO EN COLOR = REPUESTO RECOMENDADO  
COLOURED ITEM = RECOMMENDED SPARE PART

N plano	Firma	Fecha	Aparato	CONJUNTO FUNCIONAL LAVADO	Lamina	Fagor Industrial S.Coop. <b>FAGOR</b>
C-2454	<i>(Signature)</i>	2009-12	LAVAVASOS AD		3	Oñate



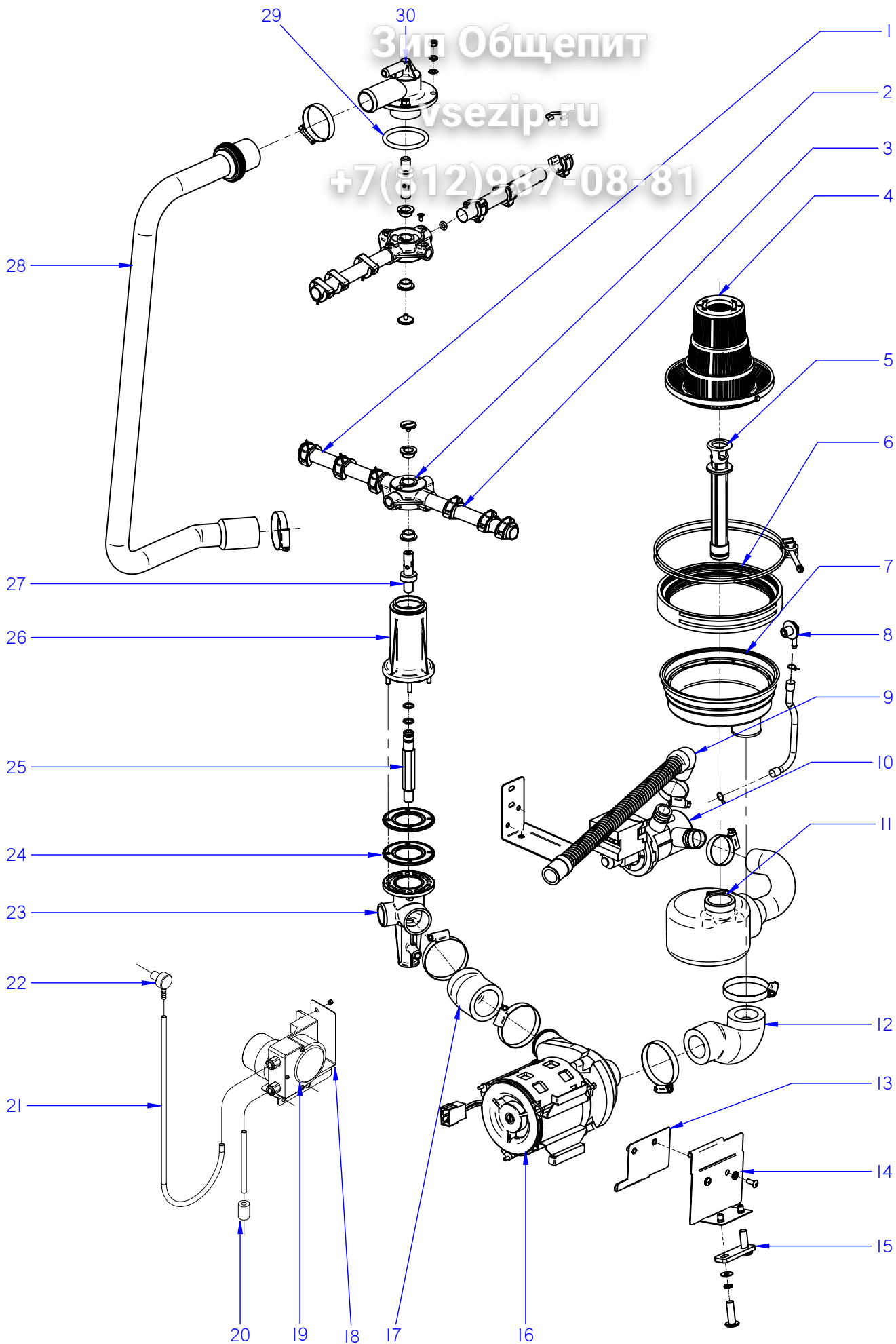
MOD.	LAVAVASOS	ZONA	CONJUNTO FUNCIONAL LAVADO					
ITEM	CODIGO	DENOMINACION	TEXTO	AD-15	AD-15 D	AD-21	AD-21 D	AD-21 DD
1	Z460701000	RAMA LAVADO B	WASH B BRANCH	2	2			
1	Z440707000	RAMA LAVADO B	WASH B BRANCH			2	2	2
	Z400709000	TOBERA LAVADO	WASH NOZZLE	5	5	6	6	6
	Z400711000	ENGANCHE TOBERA LAVADO	WASH NOZZLE CATCH	5	5	6	6	6
2	Z410704000	CRUCETA	CROSSPIECE	2	2	2	2	2
	Q152016000	TORNILLO ESPECIAL M.5X0.8	SPECIAL BOLT M.5X0.8	2	2	2	2	2
	Z410705000	CASQUILLO CRUCETA	CROSSPIECE BUSHING	4	4	4	4	4
3	Z460702000	RAMA LAVADO A	WASH BRANCH A	2	2			
3	Z440706000	RAMA LAVADO A	WASH BRANCH A			2	2	2
	Z400709000	TOBERA LAVADO	WASH NOZZLE	5	5	6	6	6
	Z400711000	ENGANCHE TOBERA LAVADO	WASH NOZZLE CATCH	5	5	6	6	6
4	Z400920000	FILTRO ALTO	HIGH FILTER	1	1	1	1	1
5	Z400907000	ALIVIADERO	OVERFLOW	1	1	1	1	1
6	Z400902000	JUNTA CUBETA	TRAY SEAL	1	1	1	1	1
7	Z400901000	CUBETA	TRAY	1	1	1	1	1
	Z400903000	ABRAZADERA CUBETA	TRAY CLAMP	1	1	1	1	1
8	Z400908000	MANGUERA DESAGÜE	DRAINAGE HOSE	1	1	1	1	1
	Q901307000	ABRAZADERA ELASTICA 37.7-39.7	ELASTIC CLAMP 37.7-39.7	1	1	1	1	1
9	Z400905000	CODO ASPIRACION 1003115	EXTRACTOR ELBOW 1003115	1	1	1	1	1
	Q881307000	ABRAZADERA 40-60	CLAMP 40-60	2	2	2	2	2
10	Z401004000	AMARRE MOTOBOMBA	MOTORPUMP FASTENING	1	1	1	1	1
11	Z401002000	SOPORTE MOTOBOMBA	MOTOR PUMP SUPPORT	1	1			
11	Z421002000	SOPORTE MOTOBOMBA	MOTOR PUMP SUPPORT			1	1	1
	Q152004000	TORNILLO APLASTADO M5x13 A304	FLAT HEADED BOLT M5x13 A304	2	2	2	2	2
	Q242030000	ARANDELA ABANICO A5 A.304	FAN WASHER A5 A.304	2	2	2	2	2
12	Z401006000	PERFIL AMORTIGUADOR	SHOCK ABSORBER PROFILE	1	1	1	1	1
	Q242030000	ARANDELA ABANICO A5 A.304	FAN WASHER A5 A.304	2	2	2	2	2
	Q302022000	ARANDELA 16x6x1,2 A304	WASHER 16x6x1.2 A304	2	2	2	2	2
	Q032032000	TORNILLO ALOMADO M5X15	CURVED SCREW M5X15	2	2	2	2	2
13	Z401001000	BOMBA LAVADO	WASH PUMP	1	1	1	1	1

MOD.		LAVAVASOS		ZONA		CONJUNTO FUNCIONAL LAVADO				
ITEM	CODIGO	DENOMINACION	TEXTO	AD-15	AD-15 D	AD-21	AD-21 D	AD-21 DD		
14	Z400906000	CODO IMPULSION 1003116	IMPULSE ELBOW 1003116	1	1	1	1	1		
	Q881307000	ABRAZADERA 40-60	CLAMP 40-60	2	2	2	2	2		
15	Z410702000	PASAMUROS CESTO CUADRADO	SQUARE BASKET WALL BUSHING	1	1	1	1	1		
	Q232030000	ARANDELA A5	WASHER A5	4	4	4	4	4		
	Q262030000	ARANDELA GROW. A5 A.304	WASHER GROW. A5 A.304	4	4	4	4	4		
	Q162030000	TUERCA EXAGONAL M5	HEXAGONAL NUT M5	4	4	4	4	4		
16	Z208909000	SOPORTE DOSIF. DETERGENTE	DETERGENT DISP. SUPPORT	-	-	-	-	-		
	Q419005000	REMACHE 4X8 ALMG3 / ALUMINIO	RIVET 4X8 ALMG3 / ALUMINIUM	-	-	-	-	-		
17	Z208903000	DOSIFIC. DGTE REGULABLE G300	DETERGENT DISP. ADJUST. G300	-	-	-	-	-		
	Q012031000	TORNIL. EXAGONAL M5X10 A.304	HEX BOLT M5X10 A.304	-	-	-	-	-		
	Q232030000	ARANDELA A5	WASHER A5	-	-	-	-	-		
18	Z701152000	PESO FILTRO	FILTER WEIGHT	-	-	-	-	-		
19	Z448614000	CONDUCTO ASPIRACIÓN	EXTRACTOR PIPE	-	-	-	-	-		
20	Z230905000	PASAMUROS INOX DETERGENTE	INOX DETERGENT WALL BUSHING	-	-	-	-	-		
21	Z400703000	JUNTA ESTANQUE. 1003113	SEAL. 1003113	2	2	2	2	2		
22	Z410712000	EMPALME ACLARADO	RINSE CONNECTION	1	1	1	1	1		
	Q307056000	JUNTA TORICA 10,82x14,38x1,78	O-RING 10.82x14.38x1.78	2	2	2	2	2		
23	Z410701000	SOPORTE INFERIOR CUADRO	LOWER SUPPORT BRACKET	1	1	1	1	1		
24	Z410708000	EJE	SHAFT	2	2	2	2	2		
25	Z410711000	ARBOL LAVADO	WASH CAM	1	1	-	-	-		
25	Z440711000	ARBOL LAVADO	WASH CAM	-	-	1	1	1		
	Q881306000	ABRAZADERA 32-50L	CLAMP 32-50L	2	2	2	2	2		
26	Q307052000	JUNTA TORICA 50,17X60,83X5,3	O-RING 50.17X60.83X5.3	1	1	1	1	1		
27	Z410703000	SOPORTE DISTRIB. SUPERIOR	UPPER DISTRIB. SUPPORT	1	1	1	1	1		
	Q232040000	ARANDELA A6	WASHER A6	4	4	4	4	4		
	Q262040000	ARANDELA GROW. A6 A.304	WASHER GROW. A6 A.304	4	4	4	4	4		
	Q162040000	TUERCA EXAGONAL M6	HEXAGONAL NUT M6	4	4	4	4	4		

Зип Общепит

vsezip.ru

+7(812)987-08-81



ITEM MARCADO EN COLOR = REPUESTO RECOMENDADO  
COLOURED ITEM = RECOMMENDED SPARE PART

N plano	Firma	Fecha	Aparato	CONJUNTO FUNCIONAL LAVADO	Lamina	Fagor Industrial S.Coop. <b>FAGOR</b>
C-2455	name Benfor	2009-12	LAVAVASOS AD-21B / AD-21C		4	Oñate

MOD.		LAVAVASOS		ZONA		CONJUNTO FUNCIONAL LAVADO			
ITEM	CODIGO	DENOMINACION	TEXTO	AD-21 B	AD-21 C				
1	Z440707000	RAMA LAVADO B	WASH B BRANCH	2	2				
	Z400709000	TOBERA LAVADO	WASH NOZZLE	6	6				
	Z400711000	ENGANCHE TOBERA LAVADO	WASH NOZZLE CATCH	6	6				
2	Z410704000	CRUCETA	CROSSPIECE	2	2				
	Q152016000	TORNILLO ESPECIAL M.5X0.8	SPECIAL BOLT M.5X0.8	2	2				
	Z410705000	CASQUILLO CRUCETA	CROSSPIECE BUSHING	4	4				
3	Z440706000	RAMA LAVADO A	WASH BRANCH A	2	2				
	Z400709000	TOBERA LAVADO	WASH NOZZLE	6	6				
	Z400711000	ENGANCHE TOBERA LAVADO	WASH NOZZLE CATCH	6	6				
4	Z400920000	FILTRO ALTO	HIGH FILTER	1	1				
5	Z400907000	ALIVIADERO	OVERFLOW	1	1				
6	Z400902000	JUNTA CUBETA	TRAY SEAL	1	1				
	Z400901000	CUBETA	TRAY	1	1				
8	Z400903000	ABRAZADERA CUBETA	TRAY CLAMP	1	1				
	Z230905000	PASAMUROS INOX DETERGENTE	INOX DETERGENT WALL BUSHIN	1	1				
	P102154000	BRIDA ELASTICA TUBO	ELASTIC PIPE FLANGE	2	2				
	3702400000	TUBO GOMA NEGRO D 8*4	BLACK RUBBER PIPE Ø 8*4	1	1				
9	Z220903000	MANGUERA DESAGÜE	DRAINAGE HOSE	1	1				
	Q901307000	ABRAZADERA ELASTICA 37.7-39.7	ELASTIC CLAMP 37.7-39.7	1	1				
10	Z220901000	BOMBA DESAGUE 30W	DRAINAGE PUMP 30W	1	1				
10	Z223501000	BOMBA DE DESAGUE 30W 60HZ	DRAINAGE PUMP 30W 60HZ	1	1				
	Z430902000	SOPORTE BOMBA DESAGUE B	DRAINAGE PUMP SUPPORT B	1	1				
	Q012031000	TORNILLO EXAGONAL M5X10	HEXAGONAL BOLT M5x10	2	2				
11	Q242030000	ARANDELA ABANICO A5 A.304	FAN WASHER A5 A.304	2	2				
	Z430901000	ACUMULADOR 1503114	ACCUMULATOR 1503114	1	1				
12	Q901307000	ABRAZADERA ELASTICA 37.7-39.7	ELASTIC CLAMP 37.7-39.7	1	1				
	Z400905000	CODO ASPIRACION 1003115	EXTRACTOR ELBOW 1003115	1	1				
13	Q881307000	ABRAZADERA 40-60	CLAMP 40-60	2	2				
	Z401004000	AMARRE MOTOBOMBA	MOTORPUMP FASTENING	1	1				

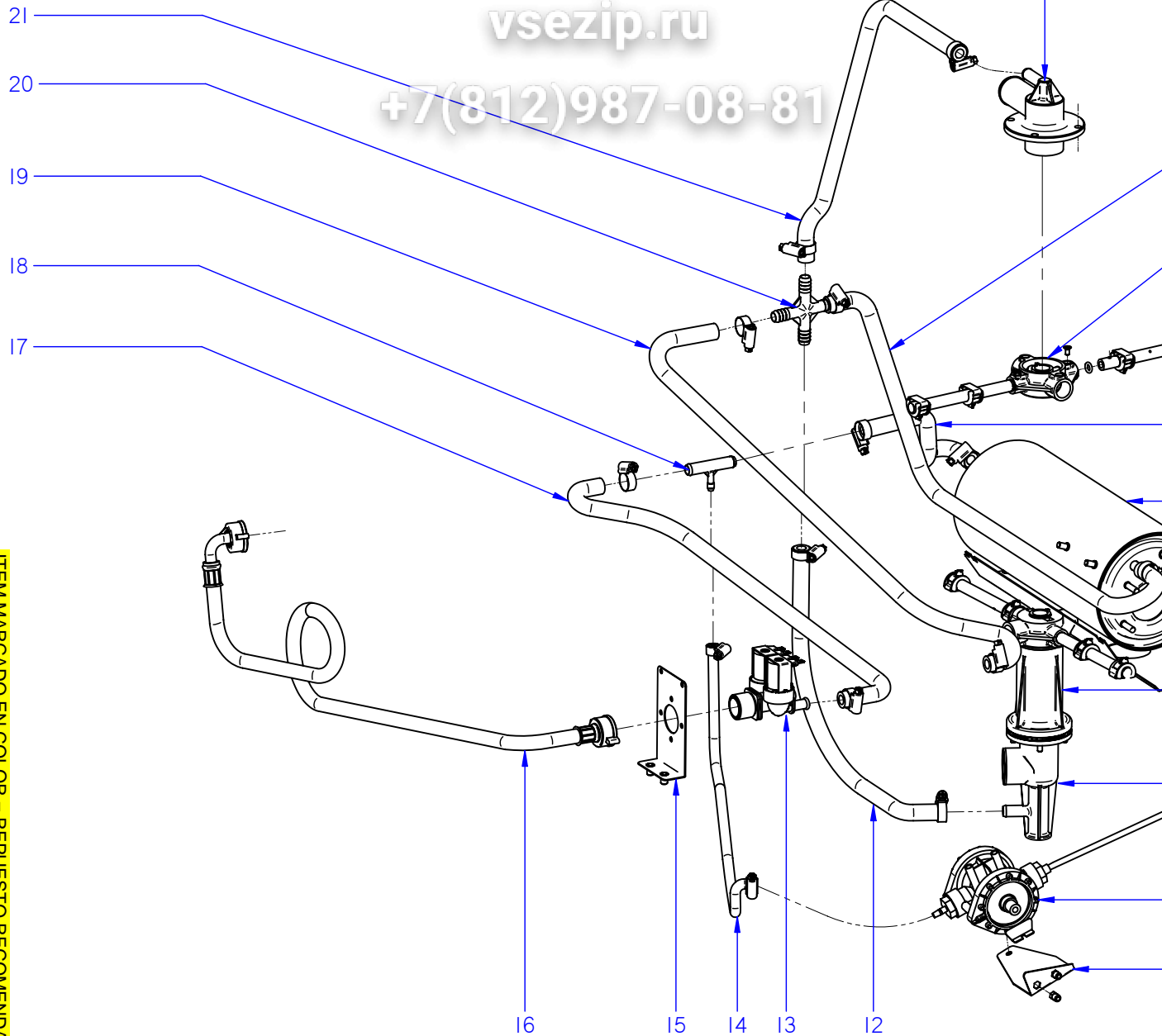
MOD.		LAVAVASOS		ZONA		CONJUNTO FUNCIONAL LAVADO			
ITEM	CODIGO	DENOMINACION	TEXTO	AD-21 B	AD-21 C				
14	Z421002000	SOPORTE MOTOBOMBA	MOTOR PUMP SUPPORT	1	1				
	Q152004000	TORNILLO APLASTADO M5x13 A304	FLAT HEADED BOLT M5x13 A304	2	2				
	Q242030000	ARANDELA ABANICO A5 A.304	FAN WASHER A5 A.304	4	4				
15	Z401006000	PERFIL AMORTIGUADOR	SHOCK ABSORBER PROFILE	1	1				
	Q242030000	ARANDELA ABANICO A5 A.304	FAN WASHER A5 A.304	2	2				
	Q302022000	ARANDELA 16x6x1,2 A304	WASHER 16x6x1.2 A304	2	2				
	Q032032000	TORNILLO ALOMADO M5X15	CURVED SCREW M5X15	2	2				
16	Z401001000	BOMBA LAVADO	WASH PUMP	1	1				
17	Z400906000	CODO IMPULSION 1003116	IMPULSE ELBOW 1003116	1	1				
	Q881307000	ABRAZADERA 40-60	CLAMP 40-60	2	2				
18	Z208909000	SOPORTE DOSIF. DETERGENTE	DETERGENT DISP. SUPPORT	-	1				
	Q419005000	REMACHE 4X8 ALMG3 / ALUMINIO	RIVET 4X8 ALMG3 / ALUMINIUM	-	2				
19	Z208903000	DOSIFIC. DGTE REGULABLE G300	DETERGENT DISP. ADJUST. G30	-	1				
	Q012031000	TORNIL. EXAGONAL M5X10 A.304	HEX BOLT M5X10 A.304	-	2				
	Q232030000	ARANDELA A5	WASHER A5	-	2				
20	Z701152000	PESO FILTRO	FILTER WEIGHT	-	1				
21	Z448614000	CONDUCTO ASPIRACIÓN	EXTRACTOR PIPE	-	1				
22	Z230905000	PASAMUROS INOX DETERGENTE	INOX DETERGENT WALL BUSHIN	-	1				
S/Nº	Z208904000	CABLEADO DOSIFICADOR DTGTE.	DETERGENT DISP. WIRING	-	1				
23	Z410702000	PASAMUROS CESTO CUADRADO	SQUARE BASKET WALL BUSHIN	1	1				
	Q232030000	ARANDELA A5	WASHER A5	4	4				
	Q262030000	ARANDELA GROW. A5 A.304	WASHER GROW. A5 A.304	4	4				
	Q162030000	TUERCA EXAGONAL M5	HEXAGONAL NUT M5	4	4				
24	Z400703000	JUNTA ESTANQUE. 1003113	SEAL. 1003113	2	2				
25	Z410712000	EMPALME ACLARADO	RINSE CONNECTION	1	1				
	Q307056000	JUNTA TORICA 10,82x14,38x1,78	O-RING 10.82x14.38x1.78	2	2				
26	Z410701000	SOPORTE INFERIOR CUADRO	LOWER SUPPORT BRACKET	1	1				
27	Z410708000	EJE	SHAFT	2	2				
28	Z440711000	ARBOL LAVADO	WASH CAM	1	1				
	Q881306000	ABRAZADERA 32-50L	CLAMP 32-50L	2	2				



Зип Общепит

vsezip.ru

+7(812)987-08-81



ITEM MARCADO EN COLOR = REPUESTO RECOMENDADO  
COLOURED ITEM = RECOMMENDED SPARE PART

N plano	Firma	Fecha	Aparato	Lamina	Fagor Industrial S. Coop.
C-2456		2009-12	CONJUNTO FUNCIONAL ACLARADO LAVAVASOS AD-15	5	Ortfe



<b>MOD.</b>	<b>LAVAVASOS</b>	<b>ZONA</b>	<b>CONJUNTO FUNCIONAL ACLARADO</b>
-------------	------------------	-------------	------------------------------------

ITEM	CODIGO	DENOMINACION	TEXTO	AD-15			
1	Z410703000	SOPORTE DISTRIBUIDOR SUPER.	UPPER DISTRIBUTION SUPPORT	1			
	Q232040000	ARANDELA A6	WASHER A6	4			
	Q262040000	ARANDELA GROW. A6 A.304	WASHER GROW. A6 A.304	4			
	Q162040000	TUERCA EXAGONAL M6	HEXAGONAL NUT M6	4			
2	3676900000	TUBO GOMA NEGRA Ø17*10	BLACK RUBBER PIPE Ø17*10	1			
	Q881302000	ABRAZADERA 12/20	CLAMP 12/20	2			
3	Z410704000	CRUCETA	CROSSPIECE	2			
	Q152016000	TORNILLO ESPECIAL M.5X0.8	SPECIAL BOLT M.5X0.8	2			
	Z410705000	CASQUILLO CRUCETA	CROSSPIECE BUSHING	4			
4	Z461901000	RAMA ACLARADO B	RINSE BRANCH B	2			
S/Nº	Z461902000	RAMA ACLARADO A	RINSE BRANCH A	2			
	Z201905000	TOBERA ACLARADO	RINSE NOZZLE	8			
	Z201906000	ENGANCHE TOB. ACLA.19728	NOZZLE LATCH RINSE.19728	8			
	Q307036000	JUNTA TORICA 5,28X8,84X1,78	O-RING 5.28X8.84X1.78	8			
	Q042021000	TORNILL. AVELLANADO M4X10 A304	COUNTERSUNK BOLT M4X10 A	4			
5	3676900000	TUBO GOMA NEGRA Ø17*10	BLACK RUBBER PIPE Ø17*10	1			
	Q881302000	ABRAZADERA 12/20	CLAMP 12/20	2			
6	Z401730000	CALDERIN LAVAVASOS 10-2	GLASSWASHER BOILER 10-2	1			
7	Z701152000	PESO FILTRO	FILTER WEIGHT	1			
8	Z410701000	SOPORTE INFERIOR CUADRO	LOWER SUPPORT BRACKET	1			
9	Z410702000	PASAMUROS CESTO CUADRADO	SQUARE BASKET WALL BUSHING	1			
	Q232030000	ARANDELA A5	WASHER A5	4			
	Q262030000	ARANDELA GROW. A5 A.304	WASHER GROW. A5 A.304	4			
	Q162030000	TUERCA EXAGONAL M5	HEXAGONAL NUT M5	4			
10	Z211109000	DOSIFICADOR TENSOACTIVO N-6	SURFACE ACT. DISP. N-6	1			
S/Nº	Z448618000	CONDUCTO ABRILLANTADOR	POLISH DUCT	1			
11	Z401116000	SOPORTE DOSIFICADOR	DISPENSER SUPPORT	1			
	Q242030000	ARANDELA ABANICO A5 A.304	FAN WASHER A5 A.304	4			
	Q152004000	TORNILLO APLASTADO M5x13 A304	FLAT HEADED BOLT M5x13 A304	2			
12	3676900000	TUBO GOMA NEGRA Ø17*10	BLACK RUBBER PIPE Ø17*10	1			
	Q881302000	ABRAZADERA 12/20	CLAMP 12/20	2			

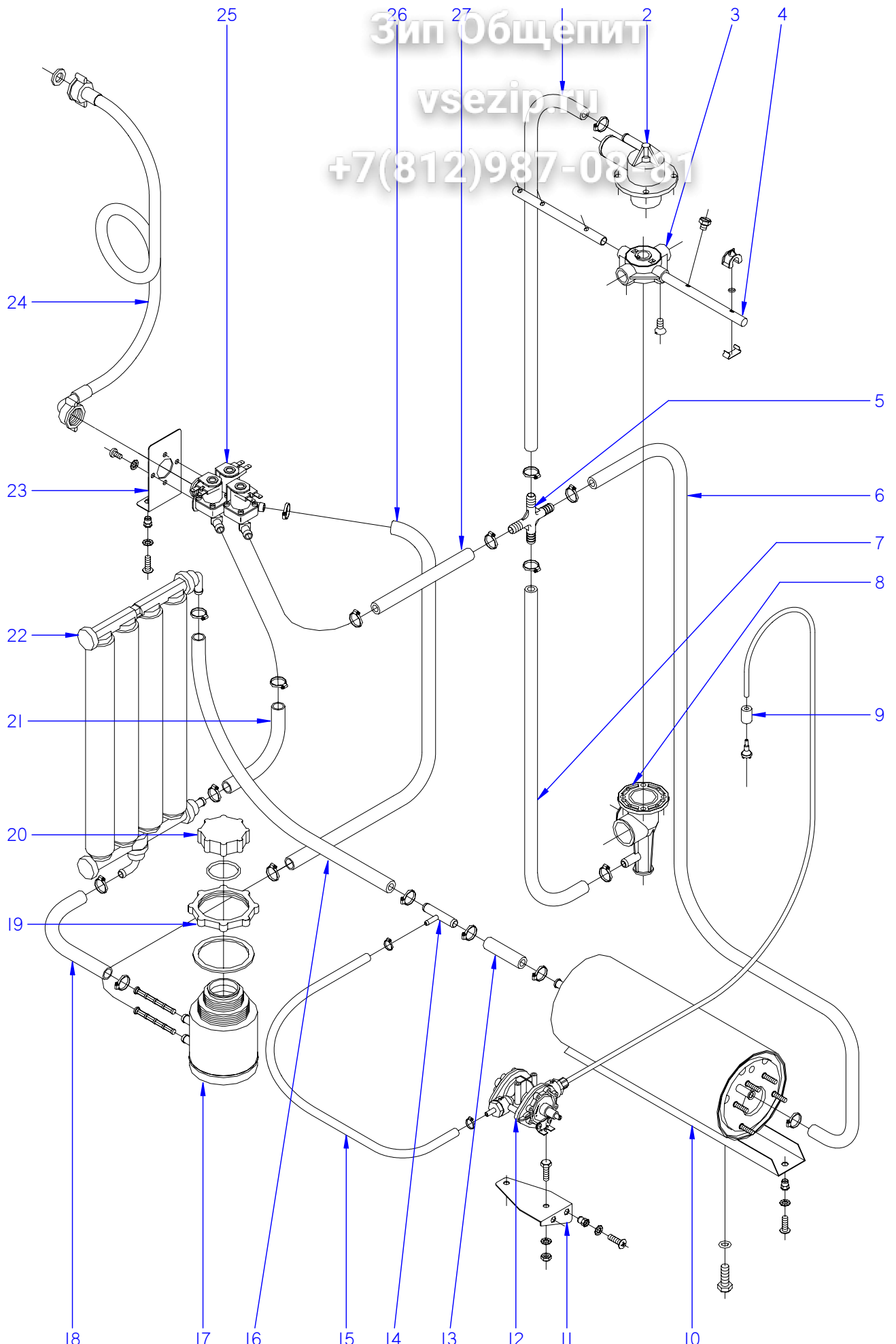




Зип Общепит

vsezip.ru

+7(812)987-08-81



ITEM MARCADO EN COLOR = REPUESTO RECOMENDADO  
COLOURED ITEM = RECOMMENDED SPARE PART

N plano	Firma	Fecha	Aparato	CONJUNTO FUNCIONAL ACLARADO	Lamina	Fagor Industrial S.Coop. <b>FAGOR</b>
C-2457	<i>[Signature]</i>	2009-12	LAVAVASOS AD-15D / AD-21D		6	Oñate

MOD.	LAVAVASOS	ZONA	CONJUNTO FUNCIONAL ACLARADO
------	-----------	------	-----------------------------

ITEM	CODIGO	DENOMINACION	TEXTO	AD-15 D	AD-21 D			
1	3676900000	TUBO GOMA NEGRA Ø17*10	BLACK RUBBER PIPE Ø17*10	1	1			
	Q881302000	ABRAZADERA 12/20	CLAMP 12/20	2	2			
2	Z410703000	SOPORTE DISTRIBUIDOR SUPER.	UPPER DISTRIBUTION SUPPORT	1	1			
	Q232040000	ARANDELA A6	WASHER A6	4	4			
	Q262040000	ARANDELA GROW. A6 A.304	WASHER GROW. A6 A.304	4	4			
	Q162040000	TUERCA EXAGONAL M6	HEXAGONAL NUT M6	4	4			
3	Z410704000	CRUCETA	CROSSPIECE	2	2			
	Q152016000	TORNILLO ESPECIAL M.5X0.8	SPECIAL BOLT M.5X0.8	2	2			
	Z410705000	CASQUILLO CRUCETA	CROSSPIECE BUSHING	4	4			
4	Z461901000	RAMA ACLARADO B	RINSE BRANCH B	2	-			
4	Z441902000	RAMA ACLARADO B	RINSE BRANCH B	-	2			
S/Nº	Z461902000	RAMA ACLARADO A	RINSE BRANCH A	2	-			
S/Nº	Z441901000	RAMA ACLARADO A	RINSE BRANCH A	-	2			
	Z201905000	TOBERA ACLARADO	RINSE NOZZLE	8	-			
	Z211903000	TOBERA ACLARADO	RINSE NOZZLE	-	10			
	Z201906000	ENGANCHE TOB. ACLA.19728	NOZZLE LATCH RINSE.19728	8	-			
	Q307036000	JUNTA TORICA 5,28X8,84X1,78	O-RING 5.28X8.84X1.78	8	-			
	Q042021000	TORNILL. AVELLANADO M4X10 A304	COUNTERSUNK BOLT M4X10 A	4	4			
5	Z401108000	RACORD EN CRUZ	DIAGONAL CONNECTION	1	1			
6	3676900000	TUBO GOMA NEGRA Ø17*10	BLACK RUBBER PIPE Ø17*10	1	1			
	Q881302000	ABRAZADERA 12/20	CLAMP 12/20	2	2			
7	3676900000	TUBO GOMA NEGRA Ø17*10	BLACK RUBBER PIPE Ø17*10	1	1			
	Q881302000	ABRAZADERA 12/20	CLAMP 12/20	2	2			
8	Z410702000	PASAMUROS CESTO CUADRADO	SQUARE BASKET WALL BUSHING	1	1			
	Q232030000	ARANDELA A5	WASHER A5	4	4			
	Q262030000	ARANDELA GROW. A5 A.304	WASHER GROW. A5 A.304	4	4			
	Q162030000	TUERCA EXAGONAL M5	HEXAGONAL NUT M5	4	4			
9	Z701152000	PESO FILTRO	FILTER WEIGHT	1	1			
10	Z401730000	CALDERIN LAVAVASOS 10-2	GLASSWASHER BOILER 10-2	1	1			

<b>MOD.</b>	<b>LAVAVASOS</b>	<b>ZONA</b>	<b>CONJUNTO FUNCIONAL ACLARADO</b>
-------------	------------------	-------------	------------------------------------

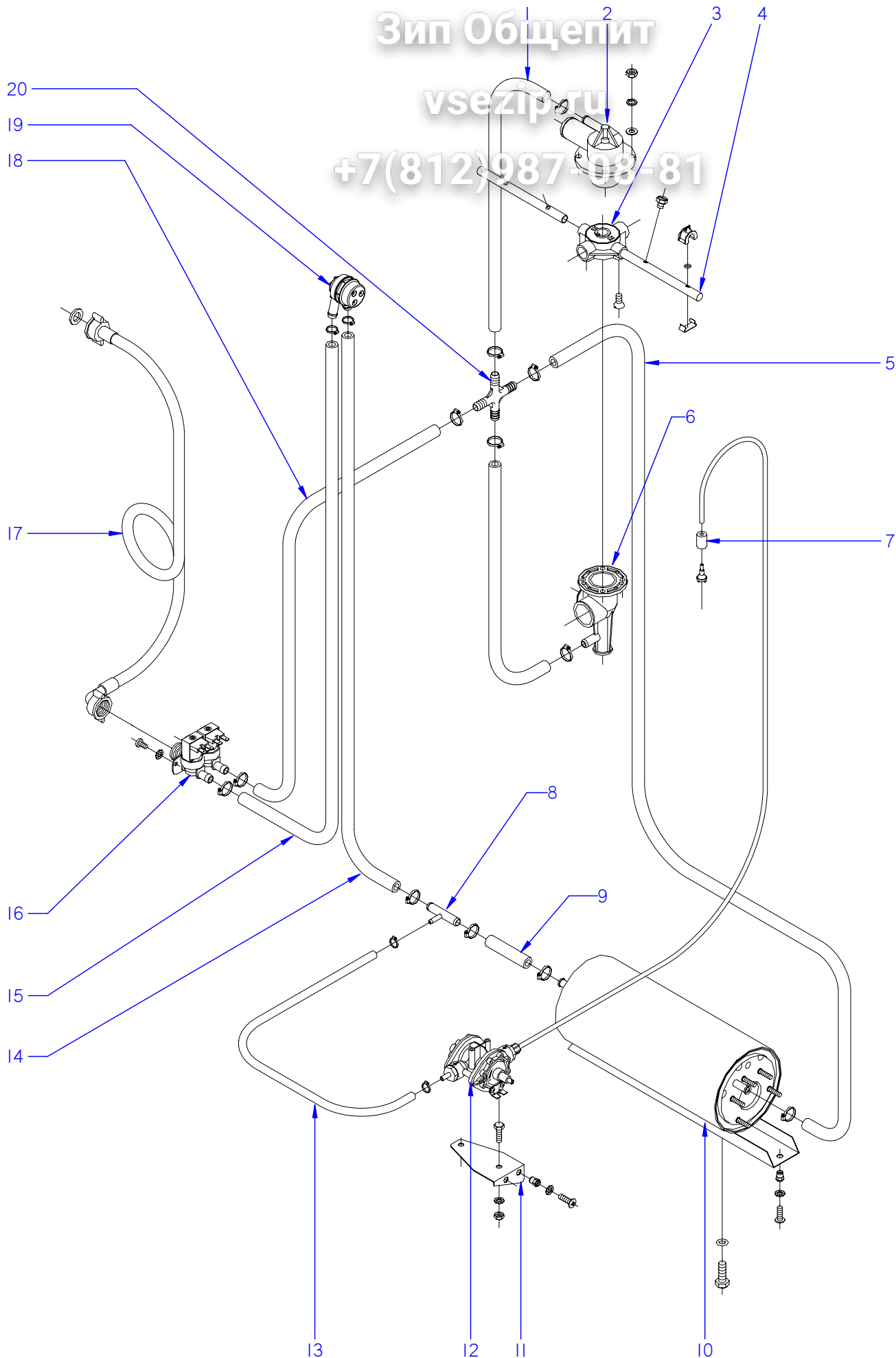
ITEM	CODIGO	DENOMINACION	TEXTO	AD-15 D	AD-21 D			
11	Z401116000	SOPORTE DOSIFICADOR	DISPENSER SUPPORT	1	1			
	Q242030000	ARANDELA ABANICO A5 A.304	FAN WASHER A5 A.304	4	4			
	Q152004000	TORNILLO APLASTADO M5x13 A304	FLAT HEADED BOLT M5x13 A304	2	2			
12	Z211109000	DOSIFICADOR TENSOACTIVO N-6	SURFACE ACT. DISP. N-6	1	1			
S/Nº	Z448618000	CONDUCTO ABRILLANTADOR	POLISH DUCT	1	1			
13	3676900000	TUBO GOMA NEGRA Ø17*10	BLACK RUBBER PIPE Ø17*10	1	1			
	Q881302000	ABRAZADERA 12/20	CLAMP 12/20	2	2			
14	Z601157000	TOMA PRESION	PRESSURE INTAKE	1	1			
15	3704000000	TUBO GOMA NEGRA Ø10,5*5	BLACK RUBBER PIPE Ø10,5*5	1	1			
	Q881308000	ABRAZADERA 8/14	CLAMP 8/14	2	2			
16	3676900000	TUBO GOMA NEGRA Ø17*10	BLACK RUBBER PIPE Ø17*10	1	1			
	Q881302000	ABRAZADERA 12/20	CLAMP 12/20	2	2			
17	Z471102000	DEPOSITO SOLDADO	WELDED TANK	1	1			
	Z471105000	FILTRO (BITRON 06281.01)	FILTER (BITRON 06281.01)	2	2			
18	3676900000	TUBO GOMA NEGRA Ø17*10	BLACK RUBBER PIPE Ø17*10	1	1			
	Q881302000	ABRAZADERA 12/20	CLAMP 12/20	2	2			
19	Z471106000	TUERCA (BITRON 27414.00)	NUT (BITRON 27414.00)	1	1			
	Z471107000	JUNTA TUERCA (BITRON 15702.01)	NUT SEAL (BITRON 15702.01)	1	1			
20	Z471108000	TAPON (BITRON 27415.00)	PLUG (BITRON 27415.00)	1	1			
	Z471109000	JUNTA TAPON (BITRON 06485.02)	PLUG SEAL (BITRON 06485.02)	1	1			
21	3676900000	TUBO GOMA NEGRA Ø17*10	BLACK RUBBER PIPE Ø17*10	1	1			
	Q881302000	ABRAZADERA 12/20	CLAMP 12/20	2	2			
22	Z471101000	DESCALCIFICADOR 4 COLUMNAS	WATER SOFTENER 4 COLUMN	1	1			
	Z471111000	SOPOR. SUPERIOR DESCALCIFICAD.	UPPER W-SOFT. SUPPORT.	1	-			
	Z491101000	SOPOR. SUPERIOR DESCALCIFICAD.	UPPER W-SOFT. SUPPORT.	-	1			
	Z471112000	SOPOR. INFERIOR DESCALCIFICAD.	LOWER W-SOFT. SUPPORT.	1	1			
23	Z401111000	SOPORTE ELECTROVALVULA	SOLENOID VLVE SUPPORT	1	1			
	Q242030000	ARANDELA ABANICO A5 A.304	FAN WASHER A5 A.304	2	2			
	Q152004000	TORNILLO APLASTADO M5x13 A304	FLAT HEADED BOLT M5x13 A304	2	2			
	Q152024000	TORNILLO AVELLANADO M4X8 A304	COUNTERSUNK BOLT M4X8 A3	2	2			
24	Z602121000	MANGUERA ENTRADA AGUA	WATER INTAKE HOSE	1	1			



Зип Общепит

vsezip.ru

+7(812)987-08-81



ITEM MARCADO EN COLOR = REPUESTO RECOMENDADO  
COLOURED ITEM = RECOMMENDED SPARE PART

N plano	Firma	Fecha	Aparato	CONJUNTO FUNCIONAL ACLARADO	Lamina	Fagor Industrial S.Coop. <b>FAGOR</b>
C-2458	<i>(Signature)</i>	2009-12	LAVAVASOS AD-21 / 21B / 21C / 21DD	7	Oñate	

<b>MOD.</b>	<b>LAVAVASOS</b>	<b>ZONA</b>	<b>CONJUNTO FUNCIONAL ACLARADO</b>
-------------	------------------	-------------	------------------------------------

ITEM	CODIGO	DENOMINACION	TEXTO	AD-21	AD-21 C	AD-21 B	AD-21 DD	
1	3676900000	TUBO GOMA NEGRA Ø17*10	BLACK RUBBER PIPE Ø17*10	2	2	2	2	
	Q881302000	ABRAZADERA 12/20	CLAMP 12/20	6	6	6	6	
2	Z410703000	SOPORTE DISTRIBUIDOR SUPER.	UPPER DISTRIBUTION SUPPORT	1	1	1	1	
	Q232040000	ARANDELA A6	WASHER A6	4	4	4	4	
	Q262040000	ARANDELA GROW. A6 A.304	WASHER GROW. A6 A.304	4	4	4	4	
	Q162040000	TUERCA EXAGONAL M6	HEXAGONAL NUT M6	4	4	4	4	
3	Z410704000	CRUCETA	CROSSPIECE	2	2	2	2	
	Q152016000	TORNILLO ESPECIAL M.5X0.8	SPECIAL BOLT M.5X0.8	2	2	2	2	
	Z410705000	CASQUILLO CRUCETA	CROSSPIECE BUSHING	4	4	4	4	
4	Z441902000	RAMA ACLARADO B	RINSE BRANCH B	2	2	2	2	
	S/Nº Z441901000	RAMA ACLARADO A	RINSE BRANCH A	2	2	2	2	
	Z211903000	TOBERA ACLARADO	RINSE NOZZLE	10	10	10	10	
	Q042021000	TORNILL. AVELLANADO M4X10 A304	COUNTERSUNK BOLT M4X10 A	4	4	4	4	
5	3676900000	TUBO GOMA NEGRA Ø17*10	BLACK RUBBER PIPE Ø17*10	1	1	1	1	
	Q881302000	ABRAZADERA 12/20	CLAMP 12/20	1	1	1	1	
	6	Z410702000	PASAMUROS CESTO CUADRADO	SQUARE BASKET WALL BUSHIN	2	2	2	2
		Q232030000	ARANDELA A5	WASHER A5	4	4	4	4
	Q262030000	ARANDELA GROW. A5 A.304	WASHER GROW. A5 A.304	4	4	4	4	
	Q162030000	TUERCA EXAGONAL M5	HEXAGONAL NUT M5	4	4	4	4	
7	Z701152000	PESO FILTRO	FILTER WEIGHT	1	1	1	1	
8	Z601157000	TOMA PRESION	PRESSURE INTAKE	1	1	1	1	
9	3676900000	TUBO GOMA NEGRA Ø17*10	BLACK RUBBER PIPE Ø17*10	1	1	1	1	
	Q881302000	ABRAZADERA 12/20	CLAMP 12/20	4	4	4	4	
10	Z401730000	CALDERIN LAVAVASOS 10-2	GLASSWASHER BOILER 10-2	1	1	1	1	
	11	Z401116000	SOPORTE DOSIFICADOR	DISPENSER SUPPORT	1	1	1	1
Q242030000		ARANDELA ABANICO A5 A.304	FAN WASHER A5 A.304	4	4	4	4	
	Q152004000	TORNILLO APLASTADO M5x13 A304	FLAT HEADED BOLT M5x13 A30	2	2	2	2	
12	Z211109000	DOSIFICADOR TENSOACTIVO N-6	SURFACE ACT. DISP. N-6	1	1	1	1	
S/Nº	Z448618000	CONDUCTO ABRILLANTADOR	POLISH DUCT	1	1	1	1	
13	3704000000	TUBO GOMA NEGRA Ø10,5*5	BLACK RUBBER PIPE Ø10,5*5	1	1	1	1	
	Q881308000	ABRAZADERA 8/14	CLAMP 8/14	2	2	2	2	

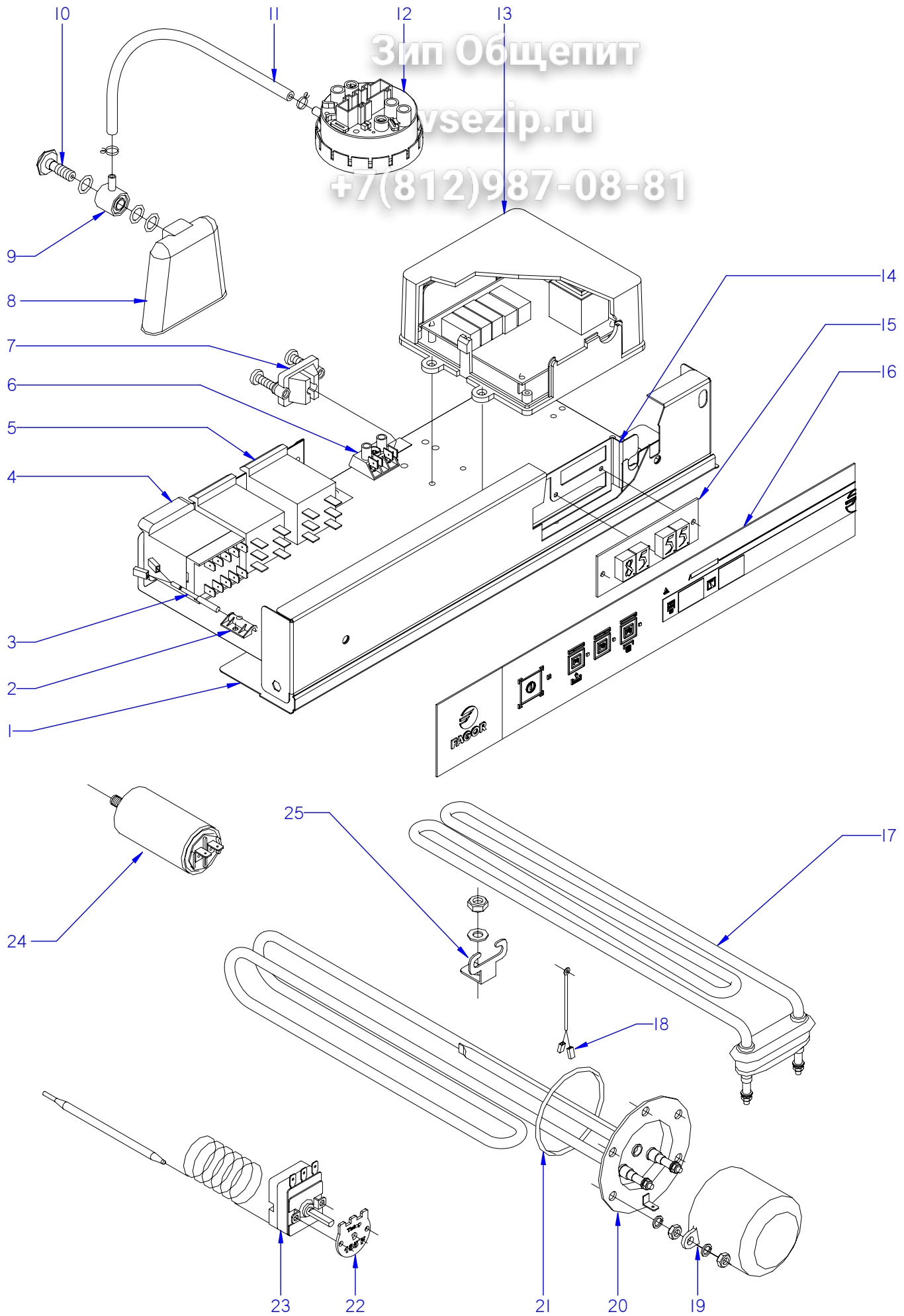




Зип Общепит

vsezip.ru

+7(812)987-08-81



ITEM MARCADO EN COLOR = REPUESTO RECOMENDADO  
COLOURED ITEM = RECOMMENDED SPARE PART

N plano	Firma	Fecha	Aparato	CONJUNTO FUNCIONAL ELECTRICO	Lamina	Fagor Industrial S.Coop. <b>FAGOR</b>
C-2459	<i>[Signature]</i>	2009-12	LAVAVASOS AD		8	Oñate

<b>MOD.</b>	<b>LAVAVASOS</b>	<b>ZONA</b>	<b>CONJUNTO FUNCIONAL ELECTRICO</b>
-------------	------------------	-------------	-------------------------------------

ITEM	CODIGO	DENOMINACION	TEXTO	AD-15	AD-15 D	AD-21	AD-21 B	AD-21 C
1	Z412910000	FRENTE COMPLETO AD-15	COMPLETE FRONT AD-15	1	1	-	-	-
1	Z442911000	FRENTE COMPLETO AD-21	COMPLETE FRONT AD-21	-	-	1	1	-
	Q152004000	TORNILLO APLASTADO M5x13 A304	FLAT HEADED BOLT M5x13 A304	2	2	2	2	2
2	Z203010000	AMARRE INTERRUPT. MAGNETICO	MAGNETIC SWITCH FASTENER	1	1	1	1	1
	Q232030000	ARANDELA A5	WASHER A5	1	1	1	1	1
	Q152004000	TORNILLO APLASTADO M5x13 A304	FLAT HEADED BOLT M5x13 A304	1	1	1	1	1
	Q162030000	TUERCA EXAGONAL M5	HEXAGONAL NUT M5	1	1	1	1	1
3	Z203009000	INTERRUPTOR MAGNETICO	MAGNETIC SWITCH	1	1	1	1	1
4	Z213007000	CONTACTOR 230 V. 50-60 HZ	CONTACTOR 230 V. 50-60 HZ	1	1	1	1	1
5	Z203062000	RELE 230V. 16A 50-60 HZ	RELAY 230V. 16A 50-60 HZ	2	2	2	2	2
6	Z603025000	REGLETA DE CONEXIONES	CONNECTION STRIP	1	1	1	1	1
	Q032021000	TORNILLO ALOMADO M4X10	CURVED SCREW M4X10	1	1	1	1	1
	Q162020000	TUERCA EXAGONAL M4	HEXAGONAL NUT M4	1	1	1	1	1
7	Z203020000	RETENEDOR DE CABLE	CABLE HOLDER	1	1	1	1	1
8	Z203011000	CAMARA PRESOSTATO	PRESSURE SWITCH	1	1	1	1	1
9	Z203012000	EMPALME PRESOSTATO	PRESSURE SWITCH CONNEX	1	1	1	1	1
10	Z203013000	TORNILLO PRESOSTATO	PRESSURE SWITCH BOLT	1	1	1	1	1
	Q307003000	JUNTA TORICA 16.01X10.77X2.62	O-RING 16.01X10.77X2.62	3	3	3	3	3
11	3702400000	TUBO GOMA NEGRO D 8*4	BLACK RUBBER PIPE Ø 8*4	1	1	1	1	1
	P102154000	BRIDA ELASTICA TUBO	ELASTIC PIPE FLANGE	2	2	2	2	2
12	Z403021000	PRESOSTATO SIMPLE	SIMPLE PRESSURE SWITCH	1	1	1	-	-
12	Z433011000	PRESOSTATO DOBLE	DOUBLE PRESSURE SWITCH	-	-	-	1	1
S/Nº	Z218002000	ESCUADRA AMARRE PRESOSTATO	PRESSURE SWITCH SQUARE	1	1	1	1	1
	Q082032000	TORNILLO ALOMADO BZ-3,5X9,5	ALOM. BOLT BZ-3,5X9,5	1	1	1	1	1
	Q419005000	REMACHE 4X8 ALMG3 / ALUMINIO	RIVET 4X8 ALMG3 / ALUMINIUM	1	1	1	1	1
13	Z213069000	TARJETA 5 RELES GICAR	CHAMBER 5 RELAY GICAR	1	1	1	1	1
	Q232020000	ARANDELA A4	WASHER A4	4	4	4	4	4
	Q242020000	ARANDELA ABANICO A5 A.304	FAN WASHER A4 A.304	4	4	4	4	4
	Q042022000	TORN. AVELLANADO M4X15	COUNTERSUNK BOLT M4X15	4	4	4	4	4

<b>MOD.</b>	<b>LAVAVASOS</b>	<b>ZONA</b>	<b>CONJUNTO FUNCIONAL ELECTRICO</b>
-------------	------------------	-------------	-------------------------------------

ITEM	CODIGO	DENOMINACION	TEXTO	AD-15	AD-15 D	AD-21	AD-21 B	AD-21 C
14	Z203088000	SOPORTE COMPONENTES	COMPON. SUPPORT	1	1	1	1	1
	Q262030000	ARANDELA GROW. A5 A.304	WASHER GROW. A5 A.304	2	2	2	2	2
	Q162030000	TUERCA EXAGONAL M5	HEXAGONAL NUT M5	2	2	2	2	2
	R663036000	FIJACION CIRCUITO	CIRCUIT BINDINGS	3	3	3	3	3
15	Z713017000	DISPLAY GICAR TEMPERATURAS	DISPLAY GICAR	1	1	1	1	1
16	Z412905000	EMBELLECED. ADHESIVO AD-15	ADHES. TRIM AD-15	1	-	-	-	-
16	Z412903000	EMBELLECED. ADHESIVO AD-15D	ADHES. TRIM AD-15D	-	1	-	-	-
16	Z442906000	EMBELLECED. ADHESIVO AD-21	ADHES. TRIM AD-21	-	-	1	-	-
16	Z452909000	EMBELLECED. ADHESIVO AD-21C	ADHES. TRIM AD-21C	-	-	-	1	1
16	Z452911000	EMBELLECED. ADHESIVO AD-21D	ADHES. TRIM AD-21D	-	-	-	-	-
17	R223005000	RESISTENCIA TANQUE	TANK RESISTOR	1	1	1	1	1
18	Z713028000	SONDA TEMPERATURA GICAR	TEMPERATURA PROBE GICAR	1	1	1	1	1
19	Z401713000	CAPERUZA RESISTENC. CALDERIN	BOILER RESIST. CAP	1	1	1	1	1
	Q163140000	TUERCA EXAGONAL M6 LATON	HEXAGONAL NUT M6 BRASS	2	2	2	2	2
	Q242030000	ARANDELA ABANICO A5 A.304	FAN WASHER A5 A.304	2	2	2	2	2
	Q152004000	TORNILLO APLASTADO M5x13 A304	FLAT HEADED BOLT M5x13 A304	2	2	2	2	2
20	Z401738000	RESISTENCIA CALDERIN 2400W	BOILER RESISTOR 2400W	1	1	-	-	-
20	Z421712000	RESISTENCIA CALDERIN 2800W	BOILER RESISTOR 2800W	-	-	1	1	1
	Q221305000	TUERCA EXAGONAL M4 ZINCADA	HEXAGONAL NUT M4 ZIN.	2	2	2	2	2
	Q163140000	TUERCA EXAGONAL M6 LATON	HEXAGONAL NUT M6 BRASS	5	5	5	5	5
	Q262040000	ARANDELA GROW. A6 A.304	WASHER GROW. A6 A.304	5	5	5	5	5
21	Q307053000	JUNTA TORICA 43.82X54.48X5.35	"O" RING 43.82X54.48X5.35	1	1	1	1	1
22	Z718446000	CHAPA W 85°C	W 85°C PLATE	1	1	1	1	1
23	Z393005000	TERMOSTATO CALDERIN	WASH DRUM THERMOSTAT	2	2	2	2	2
	Q152024000	TORNILLO AVELLANADO M4X8 A304	COUNTERSUNK BOLT M4X8 A304	2	2	2	2	2
24	V817100000	CONDENSADOR 6 M.F.	CONDENSER 6 M.F.	1	1	1	1	1
25	Z603602000	SOPORTE RESISTENCIATANQUE	TANK RESISTOR SUPPORT	1	1	1	1	1
	Q232040000	ARANDELA A6	WASHER A6	1	1	1	1	1
	Q162040000	TUERCA EXAGONAL M6	HEXAGONAL NUT M6	1	1	1	1	1

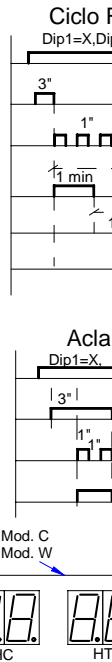
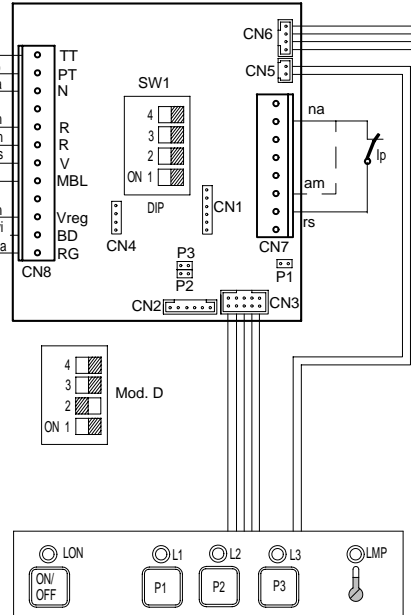
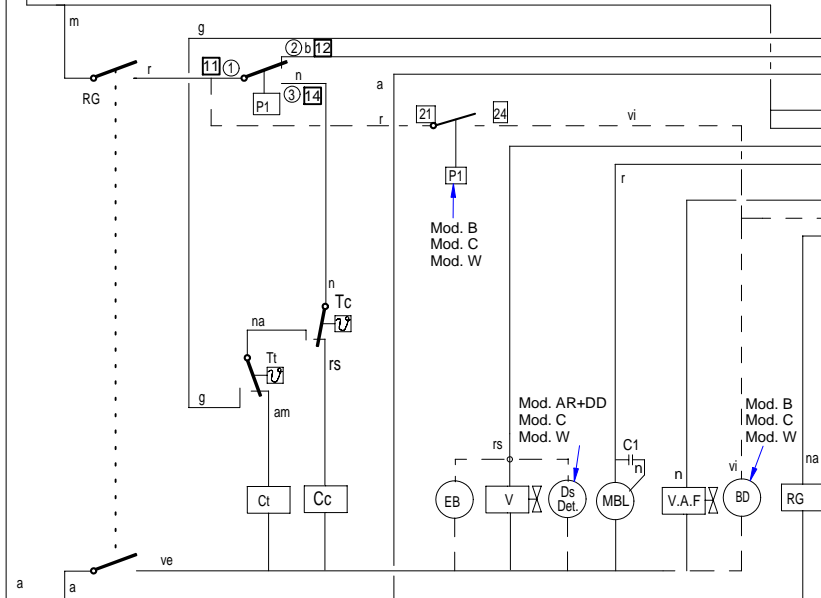
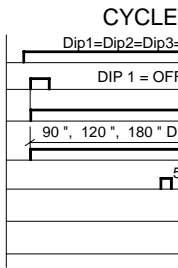
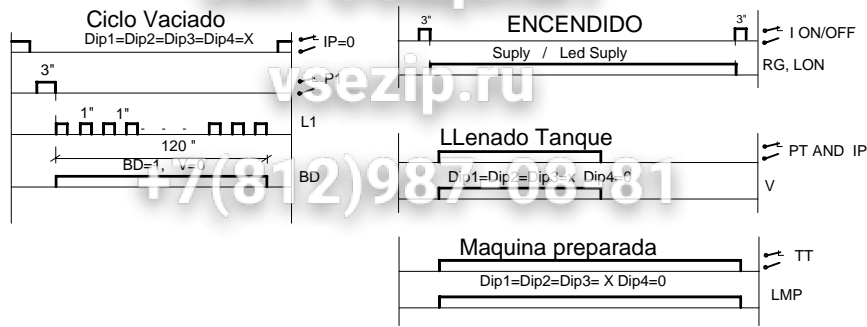
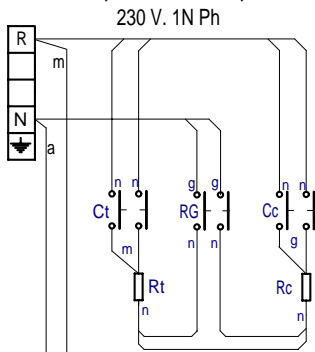


AD 15, AD 21, AD 15 B, AD 21 B, AD 15 D, AD 21 D, AD 15 C, AD 21 C, AD 21 AR

Зип Общепит

vsezip.ru

+7(812)987-03-81



-	Esquema teorico LAVAVASOS AD	
Zk./Nº	Pieza	
Zk./Nº	Aidaketa/Modificaciones	
.	.	
.	.	
.	.	
.	.	
.	.	
	Sinadura/Firma	Data/Fe
Marratzua/Dibujado	M.Maillo	30-05-2
Proiektatua/Proyectado	M.Maillo	30-05-2
Egiazatua/Comprobado	Z. Alube	30-05-2
Eskala/Escala	.	
	Plano hau ezin daiteke er	



# LEYENDA APERTURA FRONTAL

	ESPAÑOL	FRANÇAIS	ENGLISH	DEUTSCH
BD	Bomba desagüe	Pompe de vidage	Drain pump	Abflußpumpe
C 1/2/3	Condensador	Condensateur	Condenser	Kondensator
CMB	Contactora bomba lavado	Contacteur pompe lavage	Wash pump contactor	Kontaktschütz Waschpumpe
Cc 1/2	Contactora calentamiento calderin	Contacteur chauff. surchauffeur	Boiler heating contactor	Kontaktschütz Boilerheizung
Ct	Contactora calentamiento tanque	Contacteur chauffage cuve	Tank heating contactor	Kontaktschütz Heizung Tank
CP	Rele puerta	Relais porte	Door relay	Türrelais
Ds.Det.	Dosificador detergente	Dosueur de detergent	Detergent doser	Dosierer Spülmittel
E.B	Electrobomba de presion	Electropompe de pression	Electric pressure pump	Elektro-Drucksteigerungspumpe
IG	Interruptor general	Interrupteur general	Main switch	Hauptschalter
IP	Micro puerta	Micro porte	Door microswitch	Mikroschalter Tür
L1	Piloto de encendido	Voyant fonctionnement	Operation light	Betriebsanzeigelampe
L2	Piloto marcha	Voyant demarrage	Start light	Startanzeigelampe
L3	Piloto maquina preparada	Voyant machine prêt	Light machine ready	Betriebsbereitschaftsanzeige
MBL	Bomba lavado	Pompe lavage	Wash pump	Waschpumpe
M	Motor programador	Moteur du programmateur	Motor programmer	Motor Programmiervorrichtung
M Av. R	Motor program. avance rapido	Moteur du progr.avance rapide	Motor program. rapid advance	Motor Programmiervorrich. so
M1	Micro programador marcha	Micro du programm. de marche	Micro programmer on	Motor Programmiervorrich. Be
M2	Micro programador lavado	Micro du programm. de lavage	Micro programmer wash	Motor Programmiervorrich. W
M3	Micro programador aclarado	Micro du programm. de rinçage	Micro programmer on	Motor Programmiervorrich. Sp
M4	Micro programador Termo-stop	Micro du programm. Thermo-stop	Micro programmer Thermo-stop	Motor Programmiervorrich. Th
M5	Micro programador avance	Micro du programm. avance	Micro programmer advance	Motor Programmiervorrich. V
P, P1, P5	Presostato	Pressostat	Pressure switch	Druckwächter
P2, P3, P4	Presostato limitador	Pressostat de sécurité	Hi-limit pressure switch	Begrenzer Druckwächter
RC	Resistencia calderin	Resistance surchauffeur	Boiler heating element	Heizwiderstand Boiler
RT	Resistencia tanque	Resistance cuve	Tank heater	Heizwiderstand Tank
Tt	Termostato tanque	Thermostat de cuve	Tank thermostat	Thermostat Tank
TC	Termostato calderin	Thermostat surchauffeur	Boiler thermostat	Thermostat kessel
TSC	Limitador calderin	Limiteur surchauffeur	Boiler Hi-limit	Begrenzer Boiler
TSTP	Termostato termo-stop	Thermostat Thermo-stop	Thermo-stop Thermostat	Thermostat Thermo-stop
V	Electrovalvula llenado y aclarado	Electrovan. remplissage rinçage	Fill and rinse valve	Elektroventil Füllen und Spülen
COLOR	COLORES	COULEURS	COLOUR	FARBEN
a =	Azul	Bleu	Blue	Blau
am =	Amarillo	Jaune	Yellow	Gelb
am/ve =	Amarillo/verde	Jaune / vert	Yellow / green	Gelb/grün
b =	Blanco	Blanc	White	Weiß
g =	Gris	Gris	Grey	Grau
m =	Marrón	Marron	Brown	Braun
n =	Negro	Noir	Black	Schwarz
na =	Naranja	Orange	Orange	Orange
r =	Rojo	Rouge	Red	Rot
rs =	Rosa	Rose	Pink	Rosa
ve =	Verde	Vert	Green	Grün
vi =	Violeta	Violet	Purple	Violett