

Parts Catalog

Зип Общепит

vsezip.ru

+7(812)987-08-81



SP10

Mixer

Model: SP10

03/22/2017 Rev -
IMPORTANT!

TO EXPEDITE SHIPMENT OF PARTS, ALWAYS SPECIFY MODEL, REV,
PART NUMBER, AND SERIAL NUMBER OF UNIT.

GLOBE FOOD EQUIPMENT COMPANY

2215 East River Road
Dayton, Ohio 45439

Parts Department

Toll Free 1-800-745-6238 · Fax (937) 290-0585

E-Mail: info@globefoodequip.com

Website: www.globefoodequip.com

Not for resale

Зип Общепит

vsezip.ru

+7(812)987-08-81

Table of Contents

Зип Общепит

Description

Page

SP10 Base Components	4
SP10 Head Components	8
SP10 Hub Assembly Components	10
SP10 Planetary Components	12
SP10 Gearbox Components	14
SP10 Motor Components	18
SP10 Manual Lift Controls	20
SP10 Electrical Diagram - 120V Single Phase	22
SP10 Wiring Diagram - 120V Single Phase	23

vsezip.ru

+7(812)987-08-81

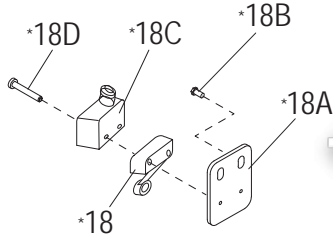


SP10 Base Components

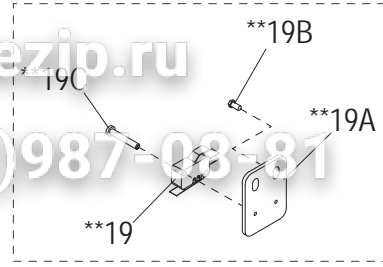
Всёобщепит

vsezip.ru

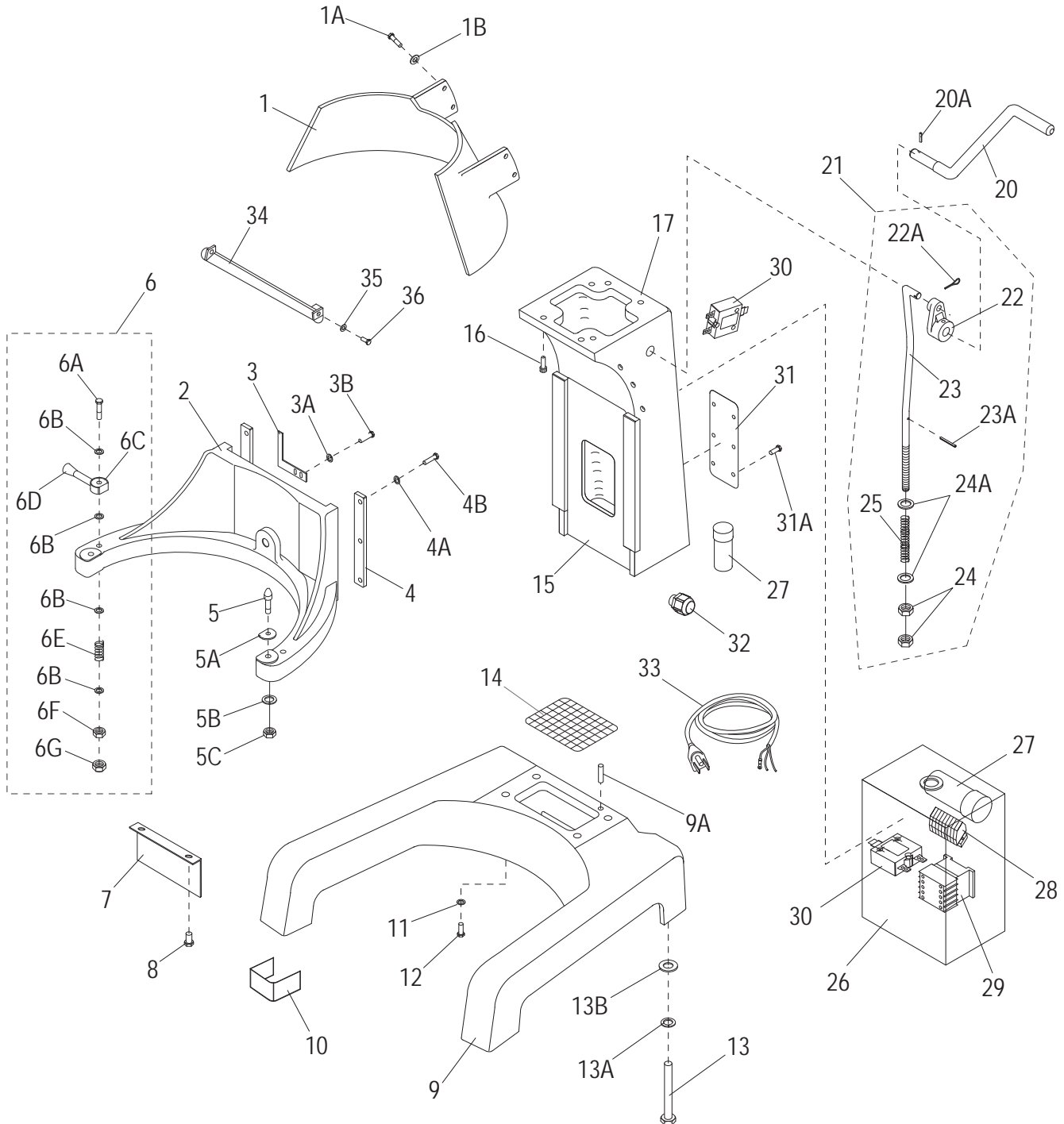
+7(812)987-08-81



*EXTERNAL ELECTRICAL SYSTEM.
PRIOR TO S/N 7110226



**INTERNAL ELECTRICAL SYSTEM
STARTING WITH S/N 7110226.
MOTOR BRAKE MODELS (SPC)
USE ALTERNATE SWITCH





SP10 Base Components

Всё ИП ОБЩЕПИТ

vsezip.ru

+7(812)987-08-81

Item	Part Number	Description	Qty	Serial Number
1	X10023	Rear Guard	1	
1A	X25097	Screw M6x14mm Hex Hd	4	
1B	X25069	Washer M6 Flat	4	
2	X10021-DG	Bowl Cradle	1	7111033 ->
3	X10190	Touch Mass	1	
3A		Washer M4 Split Lock	2	
3B	X80J41	Screw M4x12mm Hex Hd - SS	2	
4	X10022	Bowl Slide	2	
4A	X80H51	Washer M6 Split Lock	6	
4B	X25097	Screw M6x14mm Hex Hd	6	
5	X10087	Dowel Screw	2	
5A	X01759	Washer M8	2	
5B	X08102	Washer M8 Split Lock	2	
5C	X10088	Nut M8 Acorn	2	
6	X10020	Bowl Clamp Assembly (Set/2)	1	(Incl. items 6A-6G)
6A		Bowl Clamp Screw	2	
6B		Washer M8 Flat	8	
6C	X10020-1	Bowl Clamp (Set/2)	1	
6D		Bowl Clamp Handle	2	
6E		Spring	2	
6F		Nut M8 Hex	2	
6G		Nut M8 Acorn	2	
7		Cover, Cradle	1	
8	X40056	Screw M6x8mm Hex Hd	2	
9	X10024	Mixer Base	1	
9	X10024-DG	Mixer Base	1	7111033 ->
9A		Dowel Pin Ø8x15mm	2	
10	X10136	Front/Rear Rubber Feet (Set/4)	4	
11		Washer M10 Flat	4	
12		Screw M10x40mm Hex Hd	4	
13	X10025	Screw M10x50mm Hex Hd	4	
13A	X80B02	Washer M10 Split Lock	4	
13B	X10034	Washer M10 Flat	4	
14	X10031	Screen	1	
15	X10035-1-DG	Mixer Column, New Style	1	7110226 ->
16		Cap Screw M8x25mm Socket Hd	4	
17	X91014	Label, Hazardous Voltage	1	Not Shown
18	X30219	Microswitch, Bowl Lift	1	Ext. Elect. Sys. ->7110226
18A		Bracket	1	Ext. Elect. Sys. ->7110226
18B	X40056	Screw M6x8mm Hex Hd	2	Ext. Elect. Sys. ->7110226
18C	X10084	Cover, Microswitch	1	Ext. Elect. Sys. ->7110226
18D		Screw M5x10mm Round Hd - Switch Mounting	2	Ext. Elect. Sys. ->7110226
19	X10057	Microswitch, Interlock	1	7110226 ->
19A		Bracket	1	7110226 ->
19B	X40056	Screw M6x8mm Hex Hd	2	7110226 ->
19C		Screw M5x10mm Round Hd - Switch Mounting	2	7110226 ->
20	X10040	Bowl Lift Arm	1	
20A	X10039	Dowel Pin Ø5x30mm	1	
21	X10037A	Bowl Lift Arm Assembly	1	(Incl. items 22-25)
22		Bowl Lift Cam	1	
22A		Cotter Pin	1	
23		Bowl Lift Rod	1	
23A		Roll Pin Ø3x28mm	1	



SP10 Base Components

Вит Общепит

vsezip.ru

+7(812)987-08-31

Item	Part Number	Description	Qty	Serial Number
24		Nut M10 Hex	2	
24A	X10034	Washer M10 Flat	2	
25		Spring	1	
26	X10030	Electrical Box	1	Ext. Elect. Sys. ->7110226
27	X10026	Capacitor, Start - 200MF	1	
28	X10029A	Connecting Block Set	1	
28	X10029-2G	Connecting Block, Gray (2C)	7	
28	X10029-EC	Connecting Block End Cap	1	
29	X10028	Contactator	1	Ext. Elect. Sys. ->7110226
30	X10027-1	Circuit Breaker (Old Style, E-T-A Series)	1	
30	X10027-2	Circuit Breaker (New Style, 74 Series)	1	
31	X10191	Cover Plate	1	Int. Elect. Sys. 7110226 ->
31A	X25051	Screw M5x6mm Truss Hd	4	Int. Elect. Sys. 7110226 ->
32		Strain Relief	1	Int. Elect. Sys. 7110226 ->
33		Power Cord And Plug	1	Int. Elect. Sys. 7110226 ->
34	X10184	Front Guard, Mixer Column	1	Int. Elect. Sys. 7110226 ->
35		Washer M6 Flat	2	Int. Elect. Sys. 7110226 ->
36	X40056	Screw M6x8mm Hex Hd	2	Int. Elect. Sys. 7110226 ->



Зип Общепит

vsezip.ru

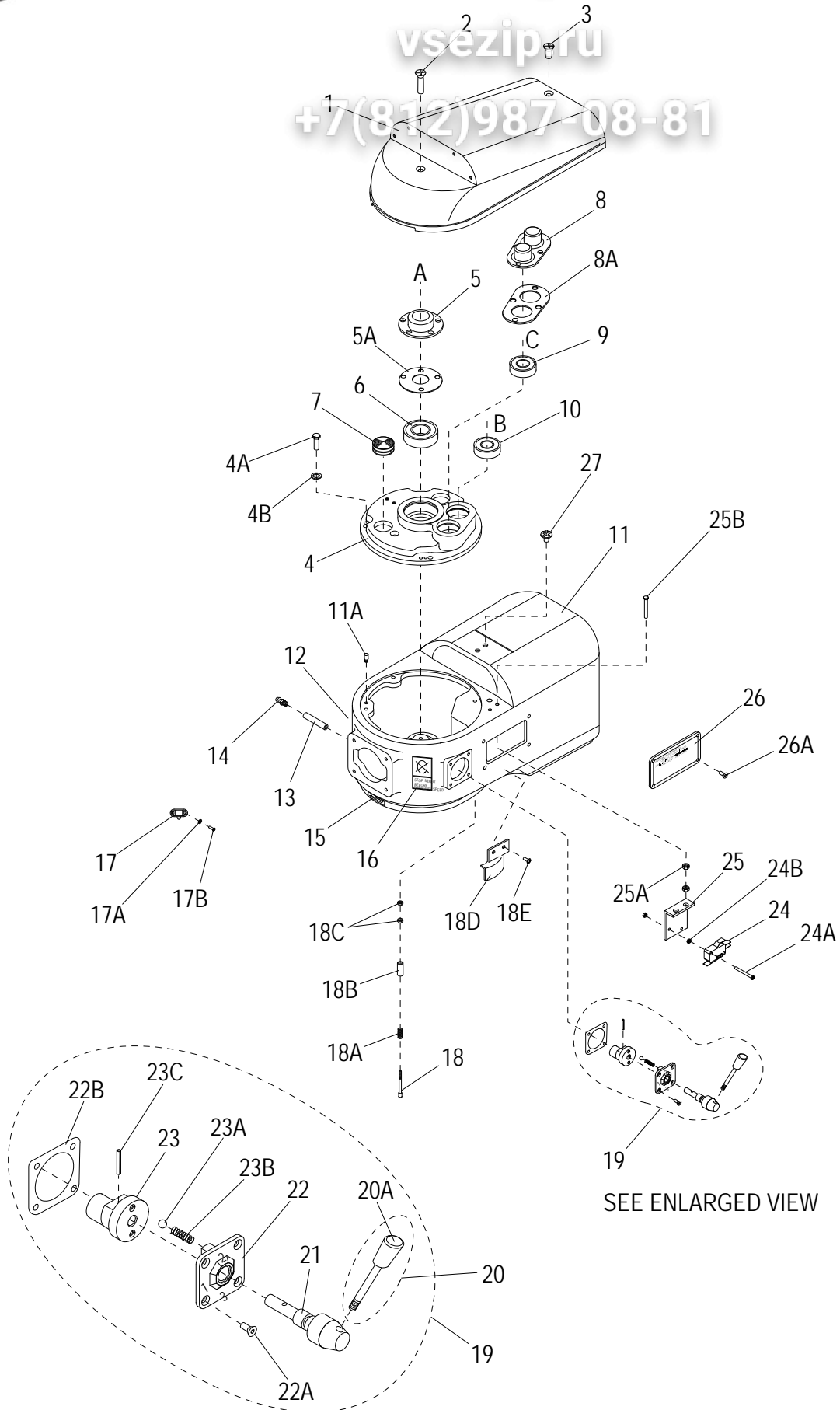
+7(812)987-08-81

INTENTIONALLY LEFT BLANK PAGE



vsezip.ru

+7(812)987-08-81





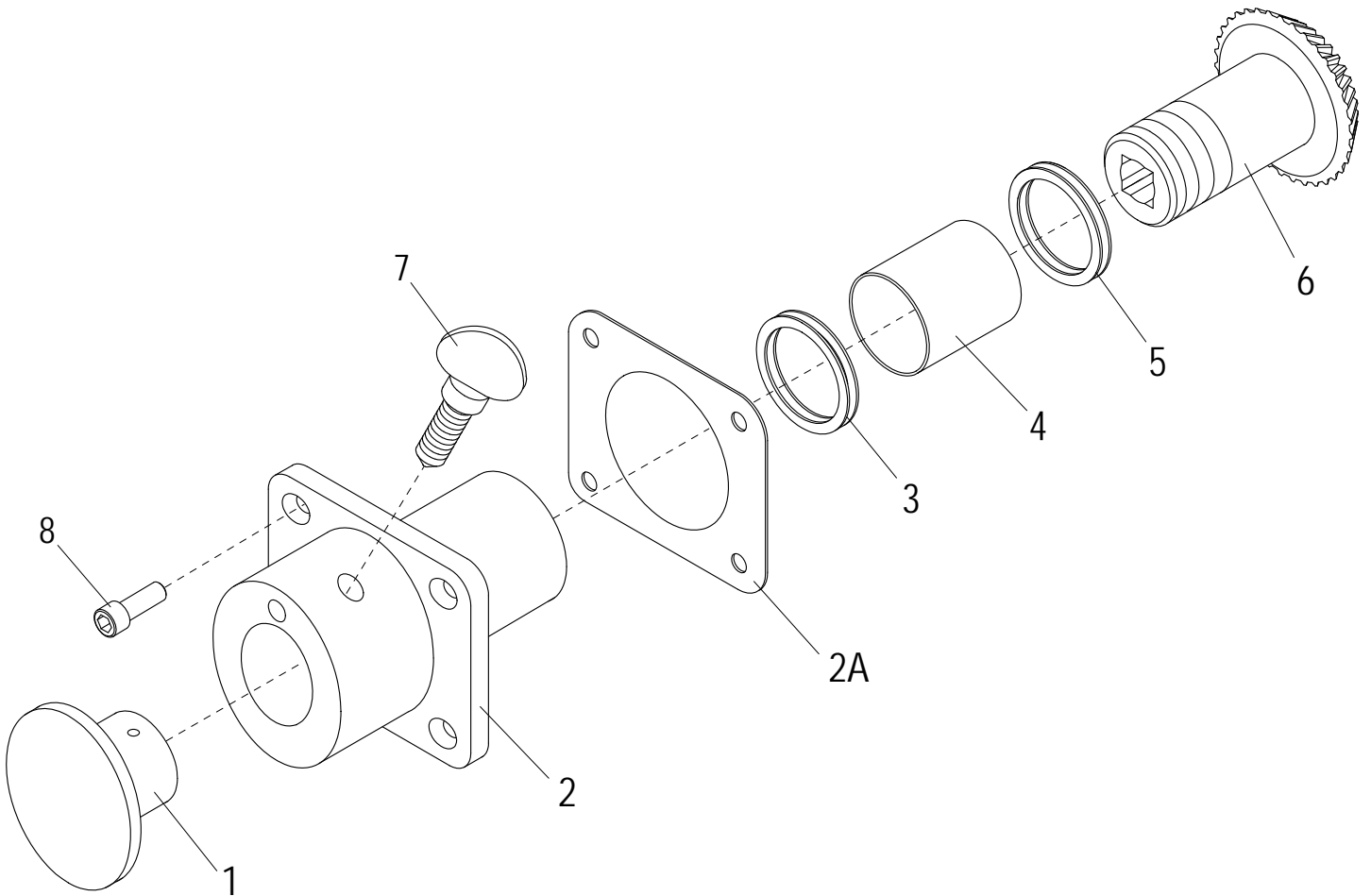
SP10 Head Components

Всё общепит

vsezip.ru

(812) 987-08-81

Item	Part Number	Description	Qty	Serial Number
1	X10001-1	Transmission Cover-Side Controls	1	
1	X10001-2-DG	Transmission Cover-Front Controls	1	7111033 ->
2	X10180	Screw M6x30mm Flat Hd - Transmission Cover, Front	1	
3	X10181	Screw M6x15mm Flat Hd - Transmission Cover, Rear	1	
4	X10074	Transmission Case Lid	1	
4A		Screw M6x16mm Hex Hd	4	
4B		Washer M6 Split Lock	4	
5	X10072	Bearing Retainer Cap	1	
5A	X10187	Gasket, Bearing Retainer	1	
6	X10010	Ball Bearing	1	
7	X10073	Oil Plug	1	
8	X10071	Twin Bearing Retainer	1	
8A	X10188	Gasket, Twin Bearing Retainer	1	
9	X10068	Ball #35 Bearing	1	
10	X10068	Ball #35 Bearing	1	
11	X10059	Case, Transmission - Fixed Bowl Guard	1	
11	X10059-1	Case, Transmission - Removable Bowl Guard	1	
11A		Locating Pin Ø8xM6x10mm	2	
12	X91009	Label, Lubricate	1	
13	X10217	Grease Tube	1	
14	X10900	Grease Fitting	1	
15	X91012	Label, Arrow	1	
16	X91010	Label, Stop To Chg Gears	1	
17	X10134	Safety Guard Spring Lock	1	
17A	X10134A	Washer M3 Split Lock	2	
17B	X10134B	Screw M3x8mm Round Hd	2	
18	X10043	Touch Shaft, Brass	1	->7110208
18	X10043N	Touch Shaft, Nylon	1	7110208 ->
18A	X10044	Spring	1	
18B		Tube	1	
18C	X30186	Nut M5 Hex	2	
18D	X20516	Cover, Touch Shaft (Removable Bowl Guard)	1	
18E		Screw M5x8mm Truss Hd	2	
19	X10045-48	Gear Shift Lever Assembly (Incl. items 20-23C)	1	
20	X10045	Gear Shift Lever Assy With Knob (Incl. item 20A)	1	
20A	X10045-1	Knob, Gear Shift	1	
21		Shaft	1	
22		Cover	1	
22A	X25166	Screw M5x20mm Flat Hd	4	
22B	X10199	Gasket	1	
23		Shaft Bias	1	
23A		Roller	2	
23B		Spring	2	
23C		Roll Ø3x28mm Pin	1	
24	X10057	Microswitch, Interlock	1	
24A		Screw M3x12mm Switch Mounting	2	
24B		Washer M18 Flat	4	
25	X10058	Bracket, Microswitch	1	
25A		Nut M6 Hex	4	
25B		Screw M6x40mm Hex Hd - Bracket Mounting	2	
26	X10055	Plate, Warning	1	
26A		Screw M4x6mm Pan Hd	4	
27	X10131	Screw #10-24x3/8" Flat Hd	1	7110226 ->





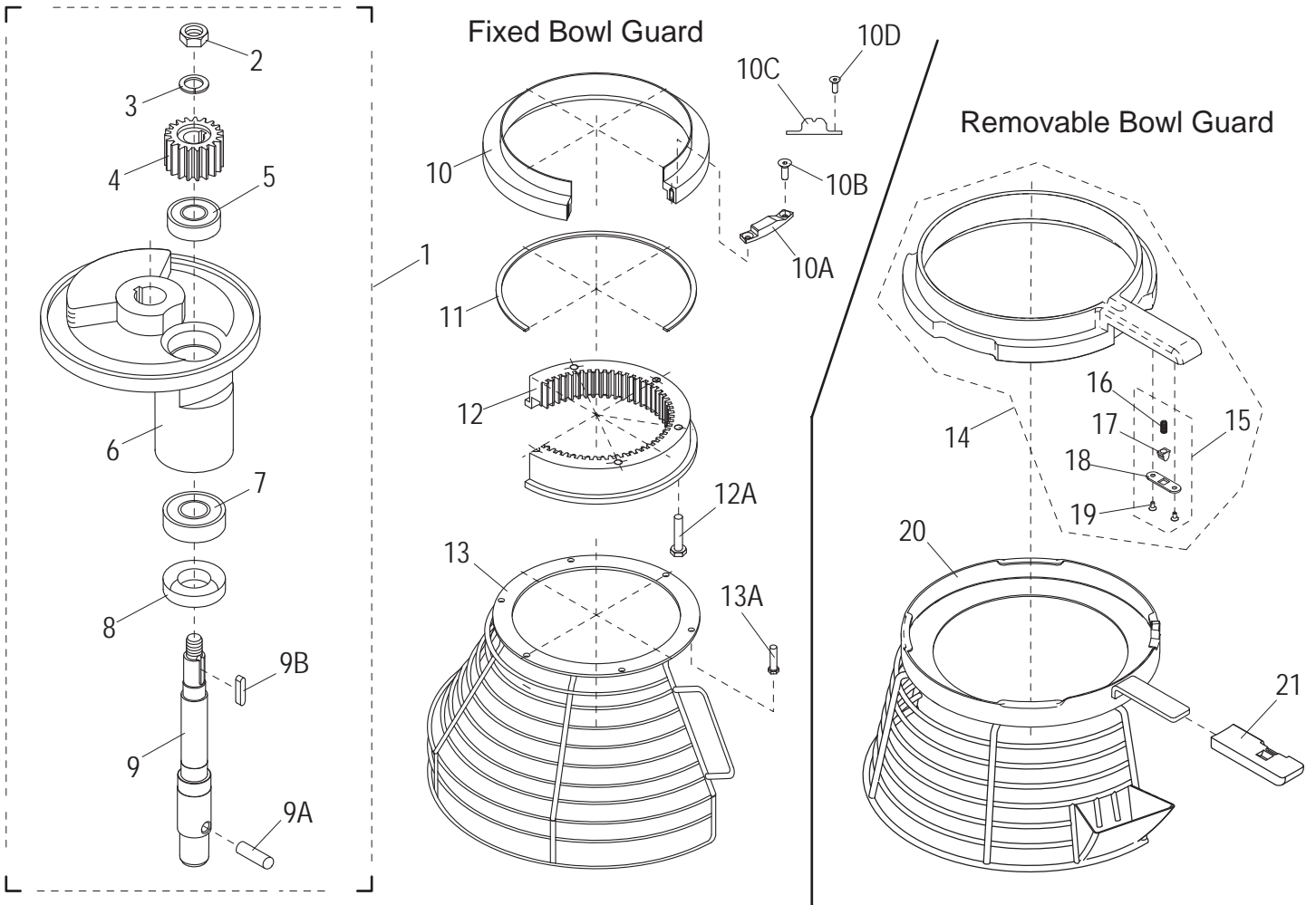
SP10 Hub Assembly Components

Всё от Общепит

vsezip.ru

+7(812)987-08-81

Item	Part Number	Description	Qty	Serial Number
1	X10007	Attachment Hole Plug	1	
2	X10006	Attachment Hub	1	
2	X10006-DG	Attachment Hub Includes *	1	7111033 ->
2A		Gasket	1	
3	X10089	Oil 45x35x8mm Seal *	1	
4	X10075	Bearing *	1	
5	X10004	Thrust Washer	2	
6	X10003	Level Drive Gear (35T)	1	
7	X10005	Thumb Screw 1/2-13x3/4"	1	
8	X80B52	Screw M6X25mm Socket Hd	4	





SP10 Planetary Components

Вит Общепит

vsezip.ru

+7(812)987-08-81

Item	Part Number	Description	Qty	Serial Number
1	X10008-82	Complete Planetary Assembly (Incl. items 2-9B)	1	
2	X10008	Nut M12 Hex	1	
3	X80B05	Washer M12 Split Lock	1	
4	X10009	Pinion, Beater (19T)	1	
5	X10010	Ball Bearing	1	
6	X10011-DG	Planetary Holder	1	7111033 ->
7	X10012	Ball Bearing	1	
8	X10013	Oil Seal	1	
9	X10015	Planetary Shaft	1	
9A	X10080	Dowel Pin	1	
9B	X10014	Shaft Key 5x5x17mm (Incl. with X10015)	1	
10	X10076P	Slide Sheath, Molded	1	7110208 ->
10A	X10041	Touch Mass	1	->7110207
10B	X10042	Screw M4x10mm Flat Hd - SS	2	->7110207
10C	X10135	Safety Guard Spring Lock Fixture	1	->7110207
10D		Screw M4x10mm Round Hd	2	->7110207
11	X10077	Teflon Mat	1	->7110207
12	X10078	Planetary Internal Gear (63T)	1	
12A	X10082	Screw 1/4-20 X 1.25" Socket Hd	6	
13	X10079/81	Front Interlock Guard Assembly	1	->7110755
13A	X10083	Screw M5x8mm Hex Hd - Locking Patch	6	->7110755
14	X200S2	Plastic Slide Sheath, Removable Safety Guard (Incl. items 15-19)	1	7110754 ->
15	X200S3	Spring Plunger Hardware Kit	1	7110754 ->
16		Spring	1	7110754 ->
17		Plunger	1	7110754 ->
18		Plate, Plunger Retention	1	7110754 ->
19		Screw M3x8mm Flat Hd	2	7110754 ->
20	X100S1	Bowl Guard Assembly, Stainless Steel	1	7110754 ->
21	X20504	Handle, Plastic - Removable Safety Guard	1	7110754 ->

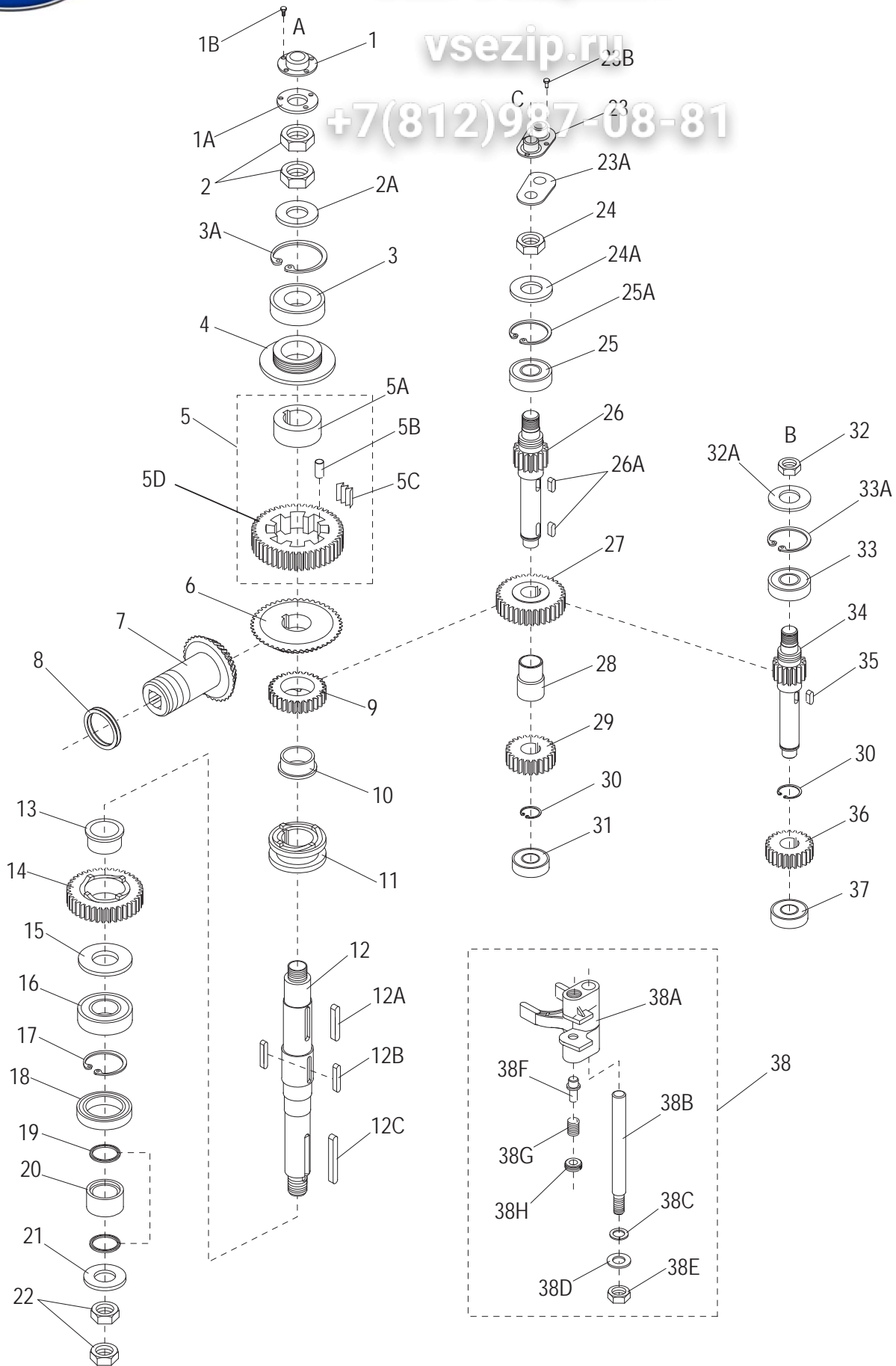


SP10 Gearbox Components

Вит Общепит

vsezip.ru

+7(812)987-08-81





SP10 Gearbox Components

Всёzip.ru

vsezip.ru

+7(812)987-08-81

Item	Part Number	Description	Qty	Serial Number
1	X10072	Bearing Retainer Cap	1	
1A	X10187	Gasket, Bearing Retainer	1	
1B	X10133	Screw M8x10mm Pan Hd	4	
2	X10132	Nut 1/2-20 Jam	2	
2A		Washer 1/2" Flat	1	
3	X10010	Ball Bearing	1	
3A		Retaining Ring	1	
4	X10090	Lead-In Oil Pad	1	
5	X10091-94	Slow Speed Gear Assembly (Incl. items 5A-5D)	1	
5A	X10091	Bushing	1	
5B		Dowel Ø8x16mm Pin	8	
5C	X10093	Slice Spring	8	
5D		Gear, Slow Speed (46T)	1	
6	X10095	Gear, Bevel (46T)	1	
7	X10003	Level Drive Gear (35T)	1	
8	X10004	Thrust Washer	1	
9	X10096	Gear, Clutch (29T)	1	
10	X10099	Bushing, Clutch	1	
11	X10110	Sleeve, Clutch	1	
12	X10107	Drive Shaft	1	
12A	X10098	Shaft Key 6x6x27mm	1	
12B	X10109	Shaft Key 5x5x27mm	1	
12C	X10108	Shaft Key 6x6x45mm	1	
13	X10099	Bushing, Clutch	1	
14	X10100	Gear, Clutch (38T)	1	
15	X10101	Washer, Stepped	1	
16	X10102	Ball Bearing	1	
17		Retaining Ring RTW-52	1	
18	X10105	Oil Seal	1	
19	X10103	O-Ring 28x22x3mm	2	
20	X10104	Guard, Oil Bushing	1	
21		Washer M20 Flat	1	
22	X10106	Nut M20 Jam	2	
23	X10071	Twin Bearing Retainer	1	
23A	X10188	Gasket, Twin Bearing Retainer	1	
23B	X10131	Screw #10-24x3/8" Flat Hd	4	
24	X10130	Nut 3/8"x24 Hex	1	
24A		Washer 3/8" Flat	1	
25	X10068	Ball #35 Bearing	1	
25A		Retaining Ring	1	
26	X10129	Transmission Shaft (15T)	1	
26A	X10128	Shaft Key 5x5x10mm	2	
27	X10126	Gear (32T)	1	
28	X10122	Bushing, Spacer	1	
29	X10121	Gear (24T)	1	
30	X10120	Retaining Ring STW-19	2	
31	X10117	Drive Shaft Upper Ball Bearing	1	
32	X10125	Nut M10 Hex	1	
32A	X10034	Washer M10 Flat	1	
33	X10068	Ball #35 Bearing	1	
33A		Retaining Ring	1	
34	X10124	Shaft, Master (15T)	1	
35	X10123	Shaft Key 5x5x15mm	1	



SP10 Gearbox Components

Вит Общепит

vsezip.ru

+7(812)987-08-81

Item	Part Number	Description	Qty	Serial Number
36	X10118-24T	Worm Wheel (24T)	1	
36	X10118	Worm Wheel (29T)	1	
37	X10117	Drive Shaft Upper Ball Bearing	1	
38	X10111-116	Yoke Shifter Assembly (Incl. items 38A-38H)	1	
38A		Yoke Shifter	1	
38B		Guide, Rod Shifter	1	
38C		Washer 3/8" Split Lock	1	
38D		Washer 3/8" Flat	1	
38E		Nut 3/8-16 Stop	1	
38F		Plunger, Yoke Shifter	2	
38G		Spring, Retainer	2	
38H		Spring, Yoke Shifter	2	

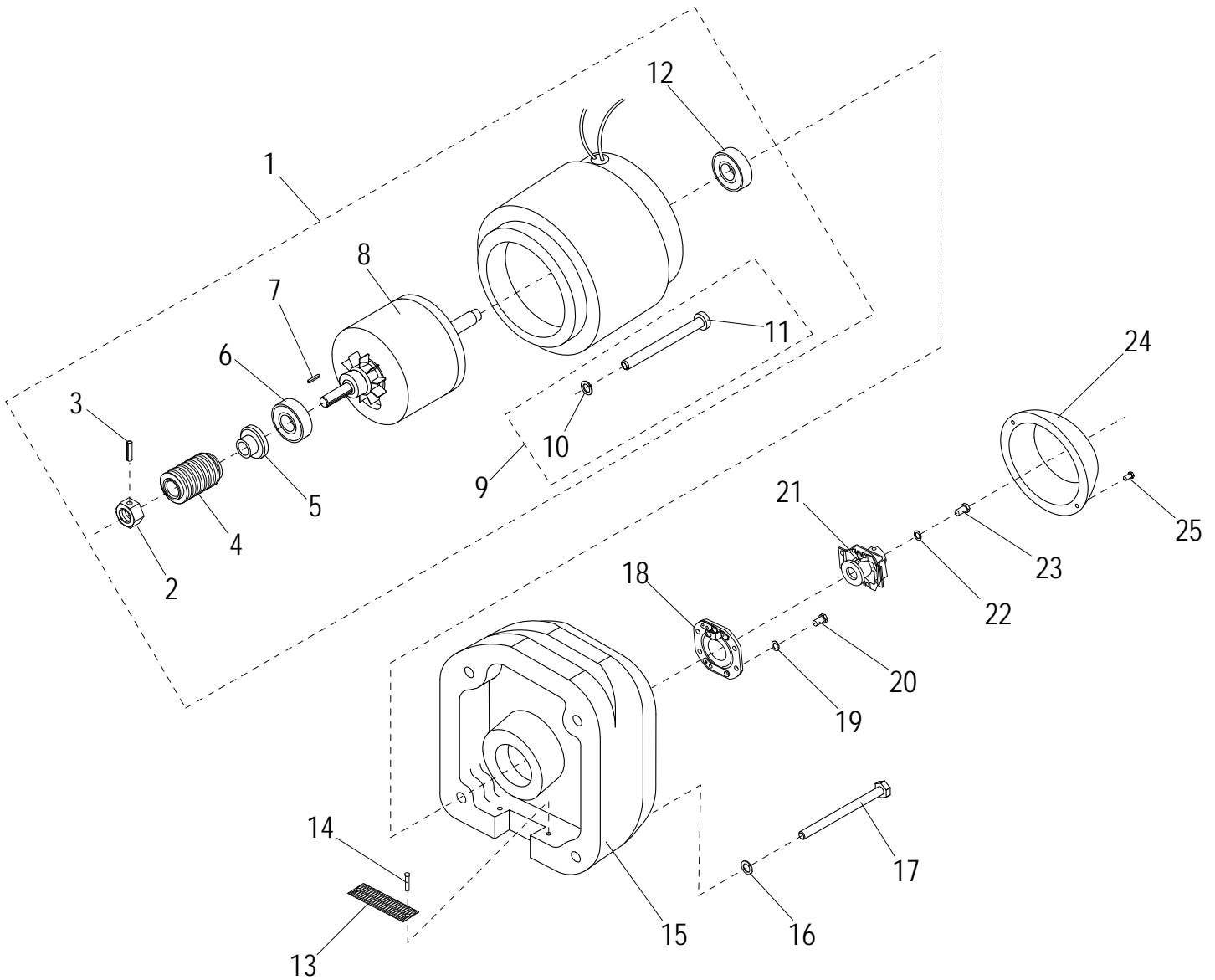


Зип Общепит

vsezip.ru

+7(812)987-08-81

INTENTIONALLY LEFT BLANK PAGE





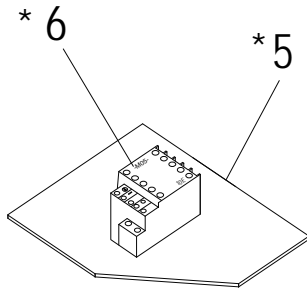
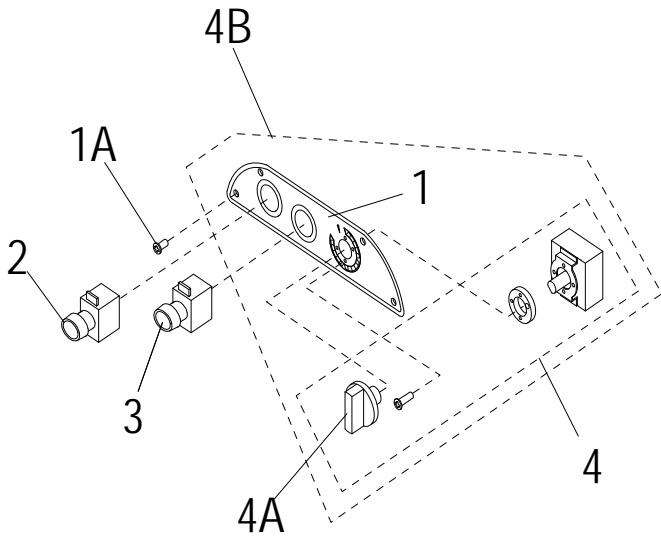
SP10 Motor Components

Всё Оптом

vsezip.ru

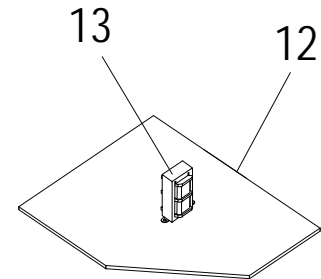
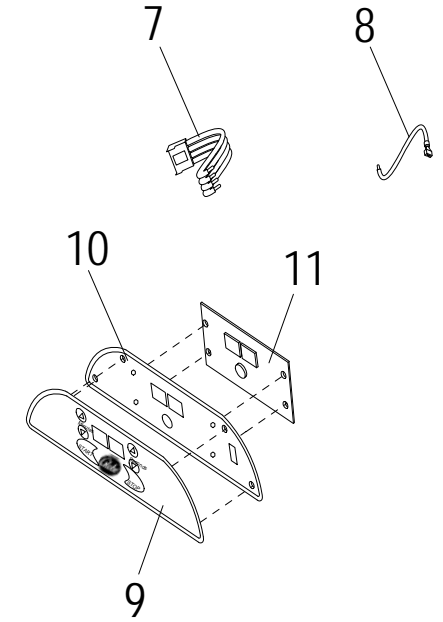
+7(812)987-08-81

Item	Part Number	Description	Qty	Serial Number
1	X10060-67	Motor Assembly, 1/3 HP (Incl. items 2-12)	1	
2	X20066	Nut M8 Hex - Pinned	1	
3		Roll Pin M3x16mm	1	
4	X20065	Worm (5T)	1	
5	X20060	Spring Shock Absorber	1	
6	X08114	Ball Bearing	1	
7	X20202	Shaft Key 3x3x17mm	1	
8		Motor Shaft	1	
8		Motor Coil	1	
9	X20206-207	Screw And Lock Washer Set (Incl. items 10-11)	1	
10	X20207	Washer M5 Split Lock	4	
11		Screw M5x84mm Hex Hd	4	
12	X08114	Ball Bearing	1	
13	X20031	Screen	1	
14		Rivet	2	
15	X10054	Transmission Cover, Rear	1	
16	1226	Washer M6 Split Lock	4	
17	X20161	Screw M6x35mm Hex Hd	4	
18	X10051	Switch, Platinum	1	
19	X20207	Washer M5 Split Lock	2	
20		Screw M5x10mm Hex Hd	2	
21	X10052	Clutch	1	
22	X20207	Washer M5 Split Lock	1	
23		Screw M5x10mm Hex Hd	1	
24	X10053	Cover	1	
25		Screw M5x10mm Hex Hd	2	



*ONLY USED ON MODELS WITH
INTERNAL ELECTRICAL SYSTEM.

MANUAL TIMER



DIGITAL TIMER



SP10 Manual Lift Controls

Всёzip.ru

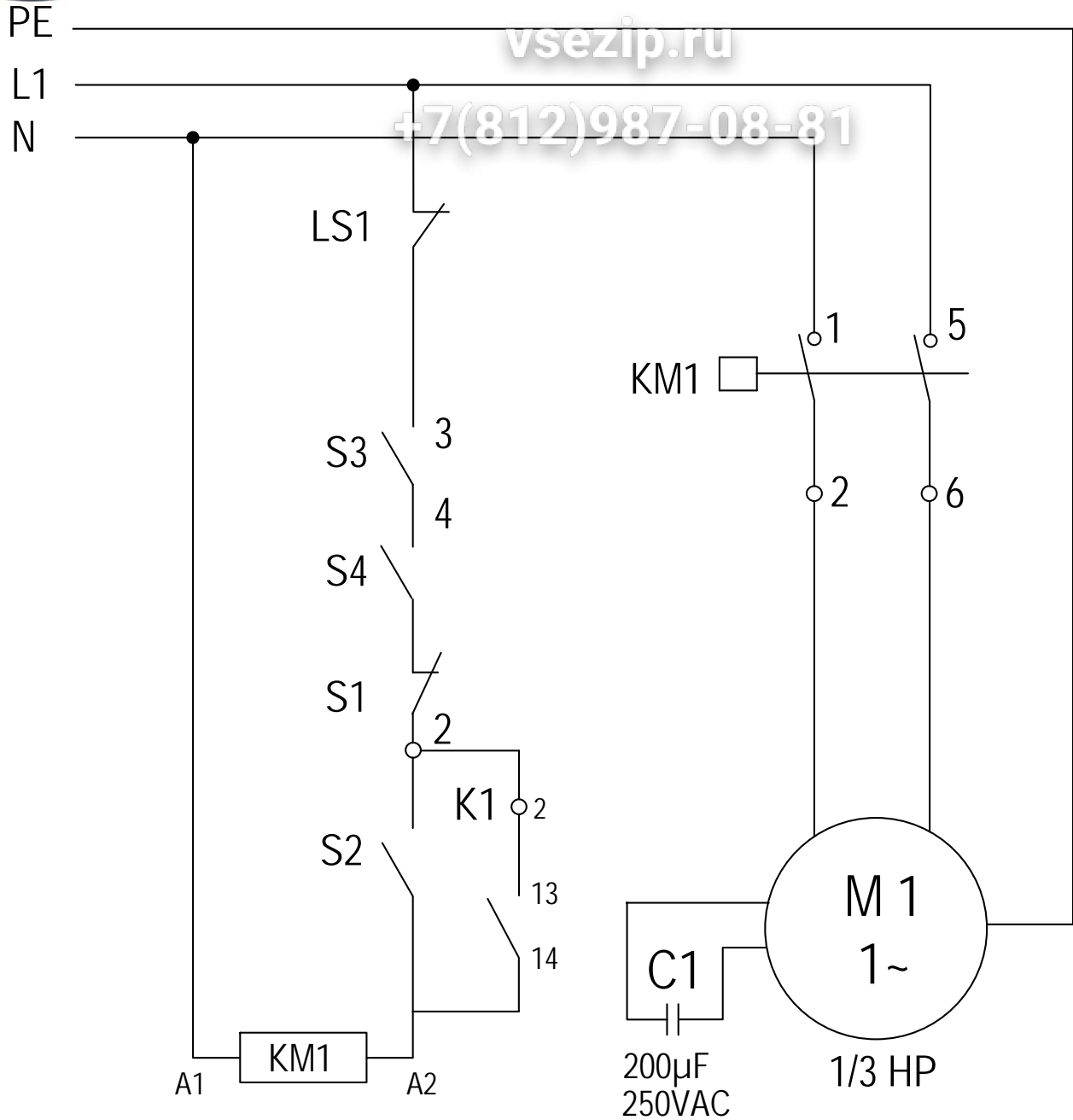
vsezip.ru

7(812)987-08-81

Item	Part Number	Description	Qty	Serial Number
1	X10002	Control Panel	1	
1A	X10179	Screw M4x10mm Truss Hd - Control Panel Mounting	1	
2	X10050	Emergency Stop Button	1	
3	X10049	Start Button	1	
3A	X10049-1	Boot, Start/Stop Switch Button	Not Shown	2
4	X10137	Timer Assembly With Knob	(Incl. item 4A)	1
4A	X10137-1	Timer Knob		1
4B	X10296	Timer Assy W/Control Panel	(Incl. items 1 & 4)	1
5		Contactormounting Plate	Int. Elect. Sys. Only	1
6	X10028ABB	Contactormounting, 12V, 300VAC	Int. Elect. Sys. Only	1
7	X00675	4 Wire Harness With Connector		1
8	X00676	Single Wire With Quick Connect		2
9	X00565	Switch, Membrane		1
10	X01336	Aluminum Panel		1
11	X00568	Control Board		1
12		Mounting Plate		1
13	X00569	Control Transformer Assembly		1
14	X00570	Control Transformer Fuse	Not Shown	1



SP10 Electrical Diagram - 120V Single Phase



Item	Description	Qty
C1	Capacitor	1
S1	Emergency Stop Button	1
S2	Start Button	1
S3	Microswitch (Interlock Guard)	1
S4	Microswitch (Bowl Lift)	1
KM1	Contactor Coil, 120V, 60 HZ	1
M1	Motor, 1/2 HP Single Phase 120V	1
LS1	Circuit Breaker	1
K1	Timer	1



SP10 Wiring Diagram 120V Single Phase

vsezip.ru

+7(812)987-08-81

