

vsezip.ru®
retigo®
+7(812)987-08-81
Vision



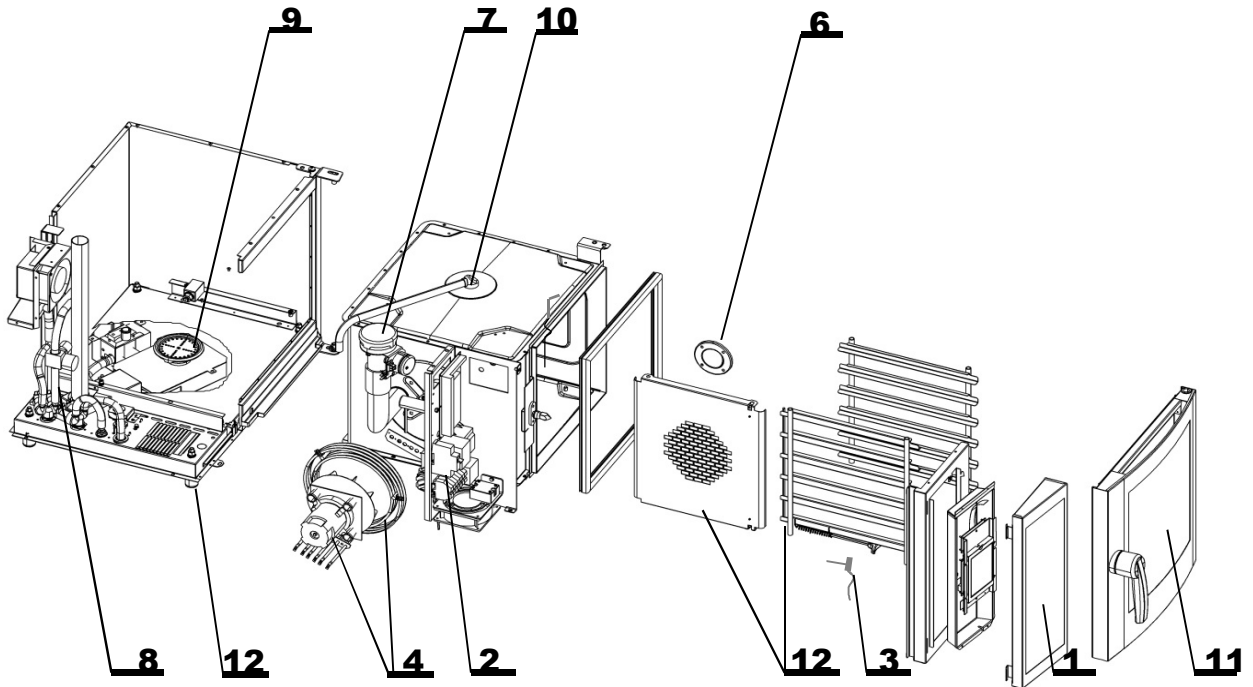
Spare parts catalogue

RETIGO Vision
Combi steamer 623
electric

Зип Общепит

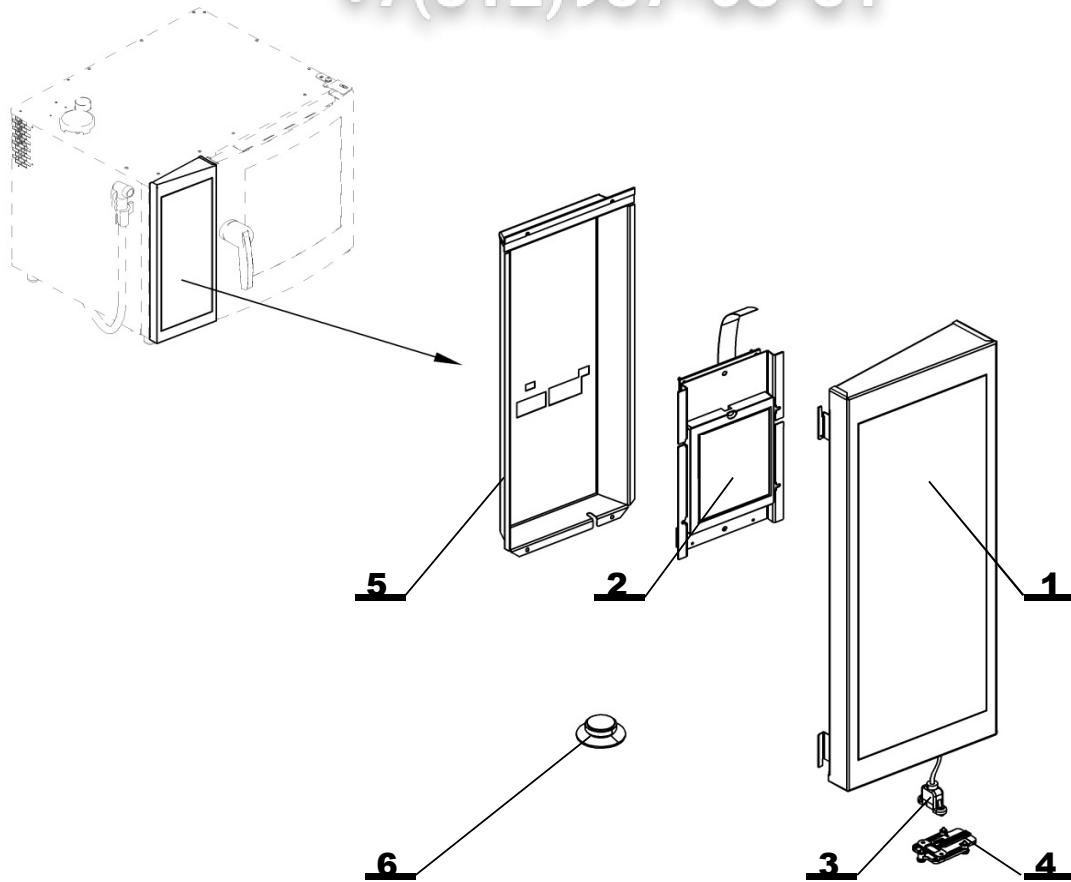
vsezip.ru

+7(812)987-08-81



CONTENT

| | | Page |
|----|----------------------------|---------|
| 1 | Control panel | 4 |
| 2 | Power panel | 5 |
| 3 | Temperature sensors | 6 |
| 4 | Motor, ventilator, heating | 7 |
| | | |
| 6 | Light | 8 |
| 7 | Flap valve | 9 |
| 8 | Water distribution system | 10 |
| 9 | Drainage system | 11 - 12 |
| 10 | Automatic cleaning system | 13 |
| 11 | Door | 14 |
| 12 | Accessories | 15 |



| Position | Code | Name | For type of combi steamer | | | |
|----------|---------------|---------------------------------------------------|---------------------------|--|-------|--|
| | | | B623i | | O623i | |
| 1 | AC21-1505/CH1 | WHOLE LEFT CORNER WITH ELECTRONIC 623-BLUE | • | | | |
| 1 | AC21-1506/CH1 | WHOLE LEFT CORNER WITH ELECTRONIC 623-ORANGE | | | • | |
| 2 | XC10-2000 | ELECTRONIC BOARD SET VISION-BLUE Freescale 2011 | • | | | |
| 2 | XC10-2100 | ELECTRONIC BOARD SET VISION-ORANGE Freescale 2011 | | | • | |
| 3 | EA05-0052 | USB CABLE | • | | • | |
| 4 | SP21-0001 | USB COVER | • | | • | |
| 5 | AP10-0021 | COVER OF ELECTRONICS | • | | • | |
| 6 | EA13-0151 | AUXILIARY LOUD-SPEAKER | • | | • | |

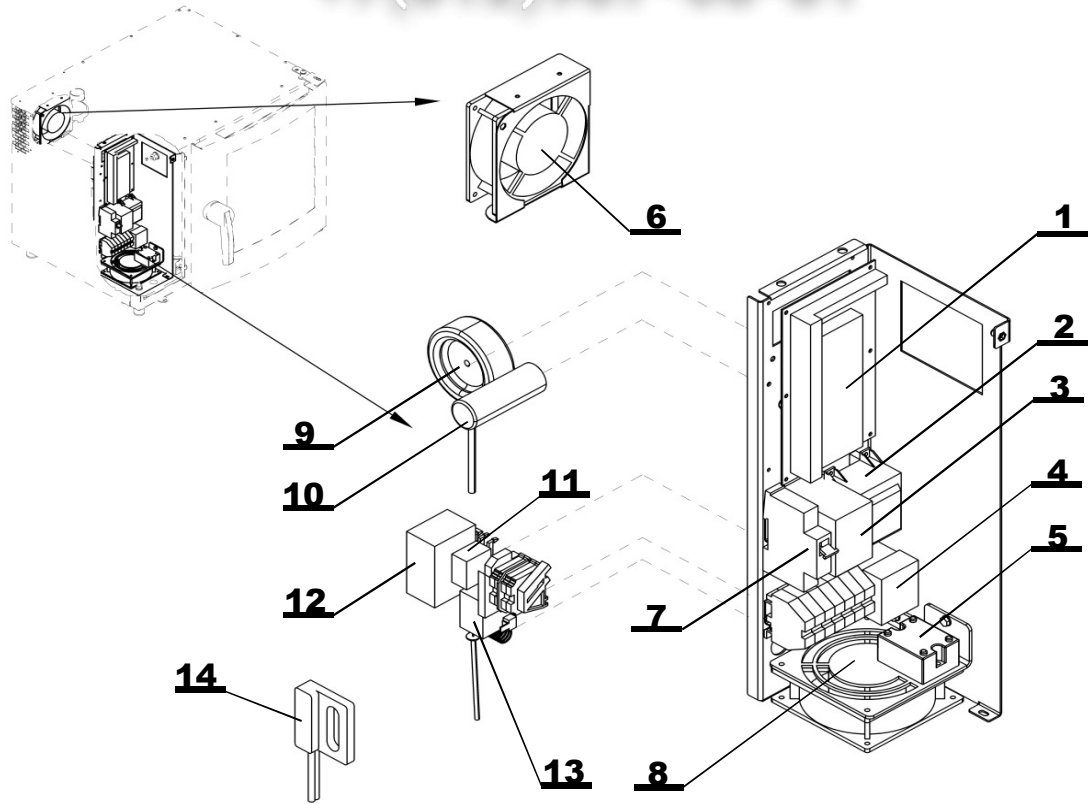
Note:

| | | | | | | |
|---|-----------------|---------------------------------------------------|---|--|---|--|
| 1 | AC21-1505/S/CH1 | LEFT CORNER PLATE 623 - BLUE WITH USB CONNECTOR | • | | | |
| 1 | AC21-1506/S/CH1 | LEFT CORNER PLATE 623 - ORANGE WITH USB CONNECTOR | | | • | |

Зип Общепит

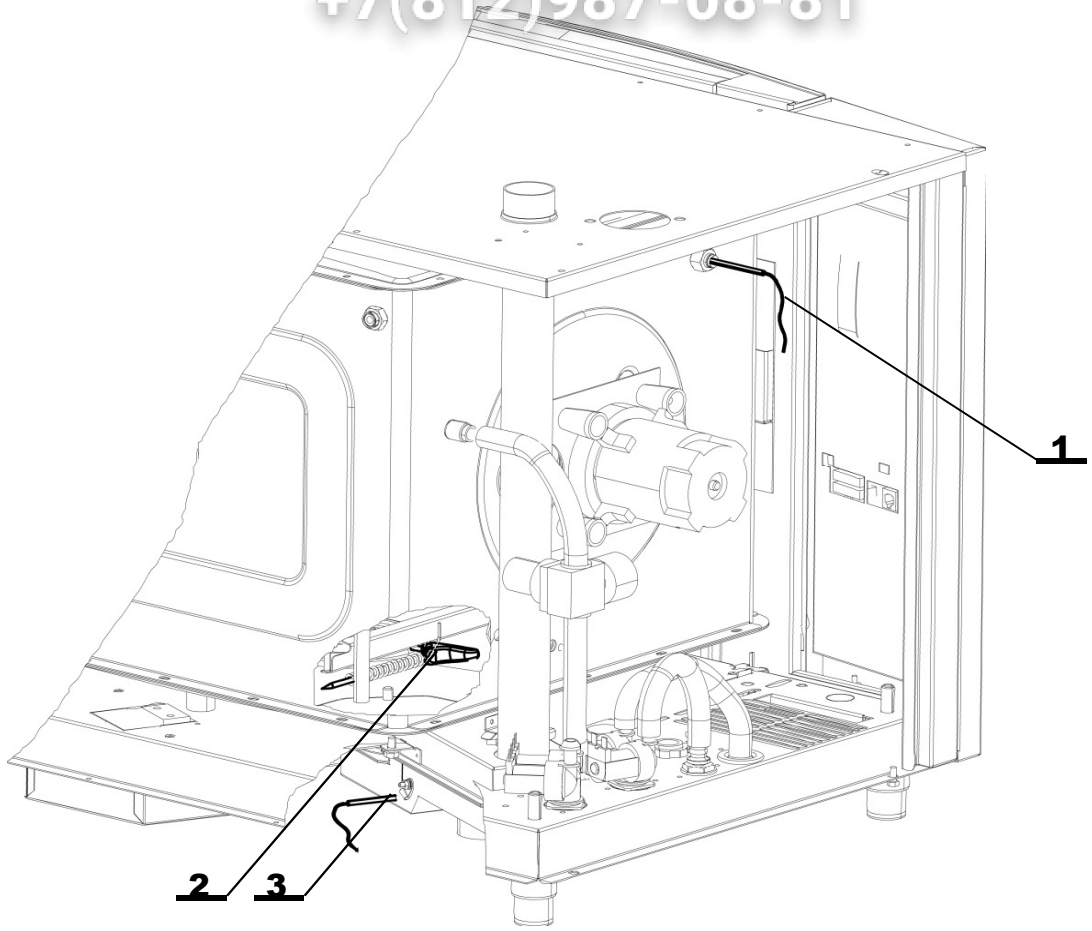
POWER PANEL BLUE
POWER PANEL ORANGE

+7(812)987-08-81



| Position | Code | Name | For type of combi steamer | | | |
|----------|-----------|-----------------------------------|---------------------------|--|-------|--|
| | | | B623i | | O623i | |
| 1 | EA14-0080 | POWER SUPPLY BOARD VISION -R04.1 | • | | • | |
| 2 | EA13-0008 | TRANSFORMER TRONIC 17V | • | | • | |
| 3 | EA01-0101 | THERMAL RELAY LR2K0305 | • | | • | |
| 4 | EA02-0001 | CONTACTOR LC 1K0610 P72 | • | | • | |
| 5 | EA02-0203 | SOLID STATE RELAY SOB965660 | • | | • | |
| 6 | ZA21-0007 | FAN SUNNON | • | | • | |
| 7 | EA03-0016 | CIRCUIT BREAKER | • | | • | |
| 8 | ZA21-0007 | FAN SUNNON | • | | • | |
| 9 | EA13-0010 | TRANSFORMER 1TT20P2 230V/11,5V | • | | • | |
| 10 | EA13-0301 | STARTING CAPACITOR | • | | • | |
| 11 | EA13-0056 | SUPPRESSION COMPONENT TS811 1022B | • | | • | |
| 12 | EA13-0057 | SUPPRESSION COMPONENT FC611 | • | | • | |
| 13 | EA04-0012 | THERM. FUSE FOR SPACE 360°C | • | | • | |
| 14 | EA01-0015 | DOOR SWITCH 623, 611, 1011 | • | | • | |

Note:

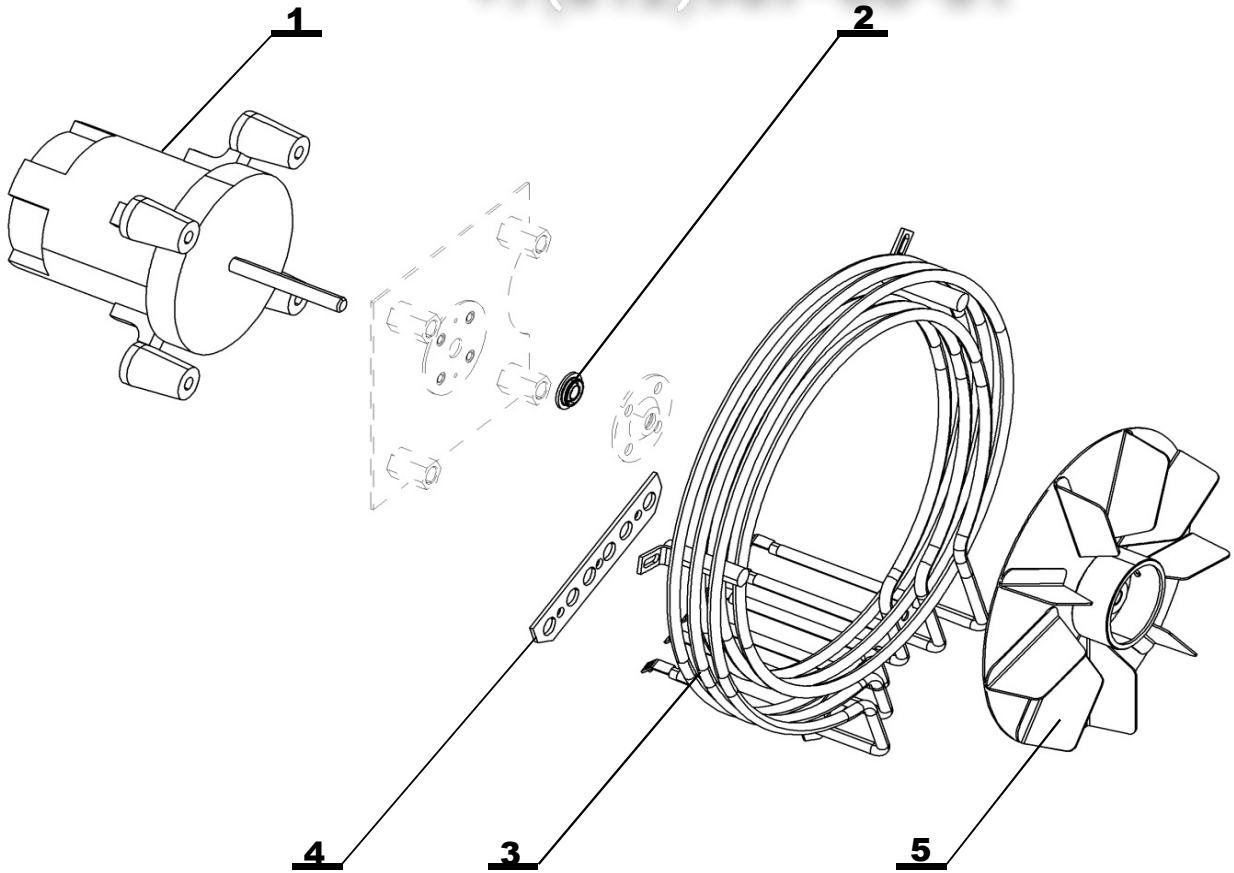


| Position | Code | Name | For type of combi steamer | | | |
|----------|-----------|-----------------------------------------------------------|---------------------------|--|-------|--|
| | | | B623i | | O623i | |
| 1 | EA10-0103 | COOKING CHAMBER AND STEAM TEMP. SENSOR | • | | • | |
| 2 | EA10-0113 | CORE PROBE (meat probe) - Blue - 4 point 623, 611, 1011 | • | | | |
| 2a | EA10-0111 | CORE PROBE (meat probe) - Orange - 1 point 623, 611, 1011 | | | • | |
| 3 | EA10-0104 | DRAIN and BOILER TEMP. SENSOR 623, 611, 1011, 1221 | • | | • | |
| | | | | | | |

Note:

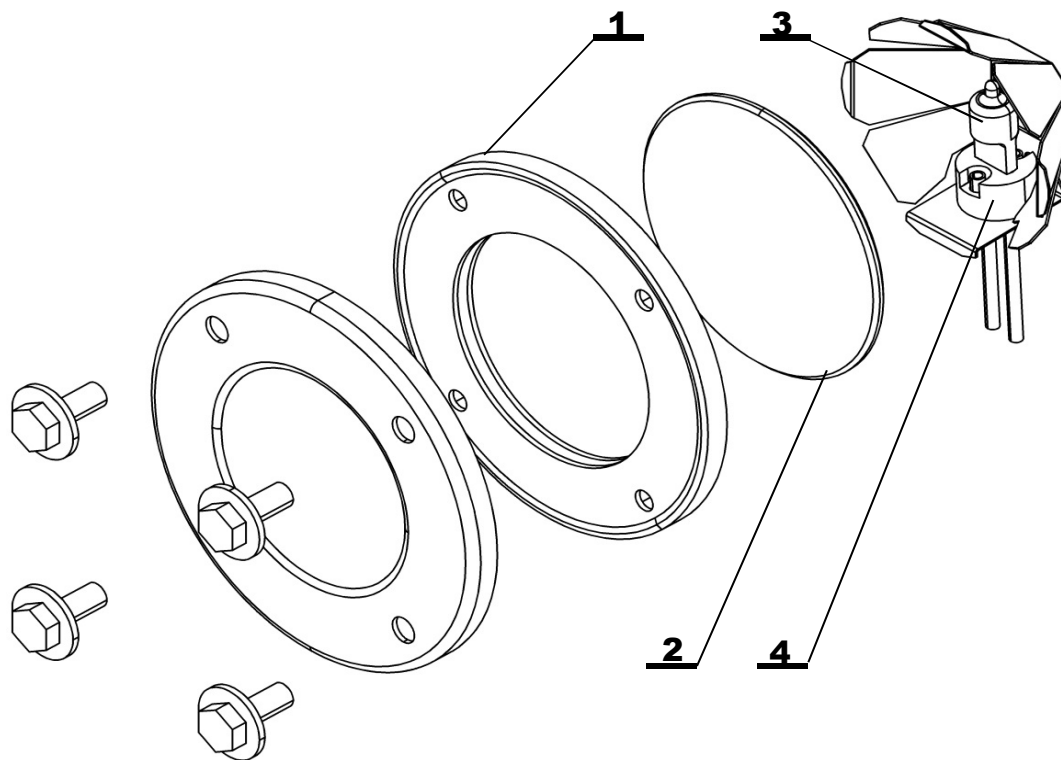
MOTOR - VENTILATOR HEATING

+7(812)987-08-81



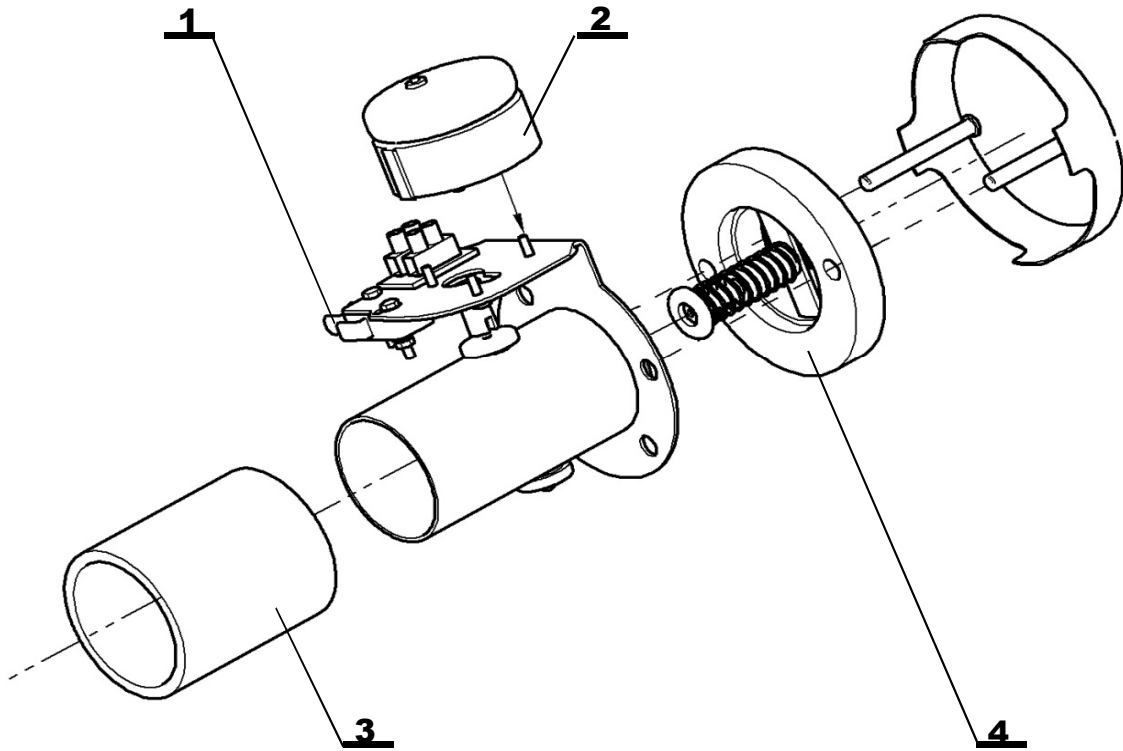
| Position | Code | Name | For type of combi steamer | | | |
|----------|-----------|------------------------------|---------------------------|--|-------|--|
| | | | B623i | | O623i | |
| 1 | EA11-0004 | ELECTRO-MOTOR L50W2B-292 | • | | • | |
| 2 | AX00-0011 | MOTOR SEAL | • | | • | |
| 3 | AX00-0016 | SPACE HEATING ELEMENT 4800 W | • | | • | |
| 4 | AX00-0017 | SEAL | • | | • | |
| 5 | AX09-0004 | VENTILATOR FAN 623 175/38,5 | • | | • | |

Note:



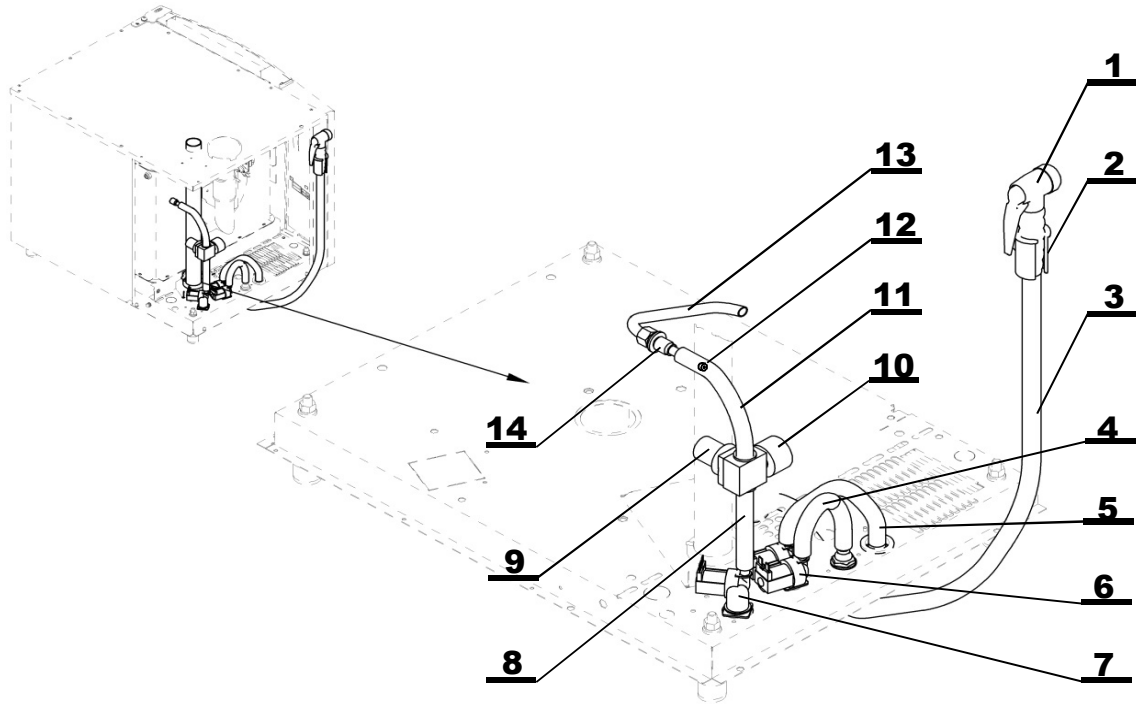
| Position | Code | Name | For type of combi steamer | | | |
|----------|-----------|-------------------|---------------------------|--|-------|--|
| | | | B623i | | O623i | |
| 1 | AX07-0005 | LIGHT SEAL VISION | • | | • | |
| 2 | AX07-0004 | GLASS PLATE | • | | • | |
| 3 | EA13-0100 | HALOGEN LAMP | • | | • | |
| 4 | EA13-0101 | HALOGEN LAMP BASE | • | | • | |

Note:



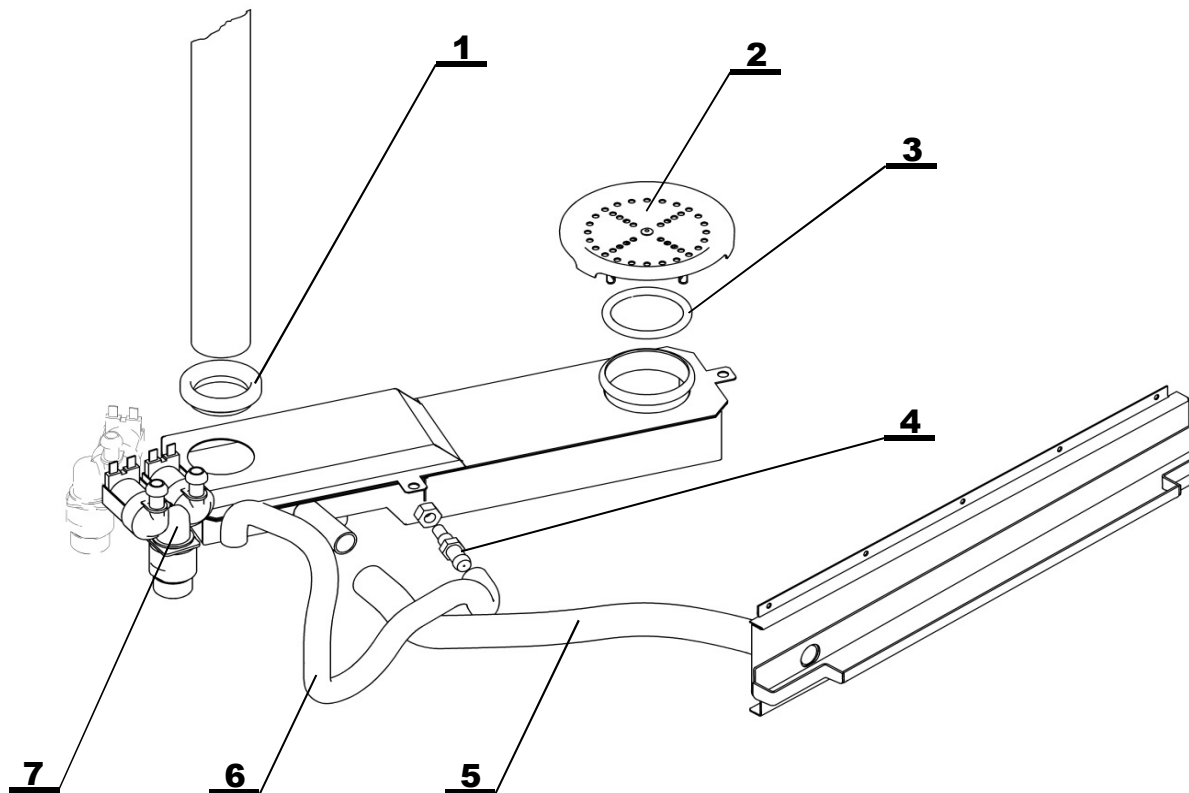
| Position | Code | Name | For type of combi steamer | | | |
|----------|-----------|-----------------------------------|---------------------------|--|-------|--|
| | | | B623i | | O623i | |
| 1 | EA01-0052 | MIKROSWITCH (until 1.1.2010) | • | | | |
| 2 | EA11-0012 | MOTOR + SWITCH (since 1. 1. 2010) | • | | | |
| 2 | EA11-0005 | MOTOR (until 1.1.2010) | • | | | |
| 3 | AT00-0006 | FLAP VALVE HOSE DA6 | • | | • | |
| 4 | AC25-0105 | PLUG | • | | • | |
| 1+2+4 | AC25-0100 | FLAP VALVE COMPLETE | • | | | |

Note:



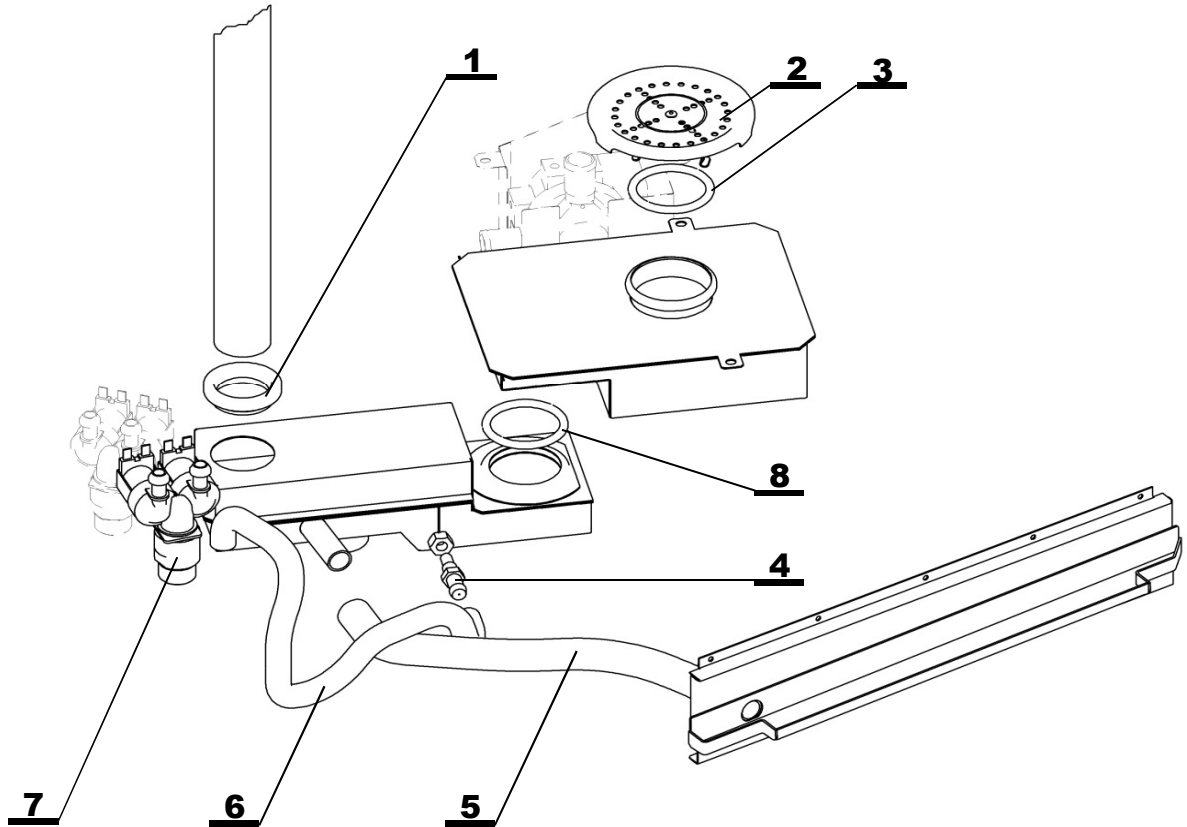
| Position | Code | Name | For type of combi steamer | | | |
|----------|-----------|-----------------------------|---------------------------|--|-------|--|
| | | | B623i | | O623i | |
| 1 | ZA15-0100 | SHOWER KLARCO | • | | • | |
| 2 | AT00-0002 | SHOWER HOLDER KLARCO | • | | • | |
| 3 | ZA11-0902 | RUBBER HOSE FOR SHOWER 1,6m | • | | • | |
| 4 | AA26-0108 | HOSE 10x3,6 - 240 | • | | • | |
| 5 | AA26-0110 | HOSE 10x3,6 - 480 | • | | • | |
| 6 | EA12-0050 | DOUBLE SOLENOID VALVE | • | | • | |
| 7 | EA12-0051 | SIMPLE SOLENOID VALVE | | | • | |
| 8 | AA26-0104 | HOSE 10x3,6 - 90 | • | | • | |
| 9 | ZA12-0201 | WATER REDUCTING VALVE | • | | • | |
| 10 | ZA12-0401 | MANOMETER 0-1bar, WIKA | • | | • | |
| 11 | AA26-0111 | HOSE 10x3,6 - 195 | • | | • | |
| 12 | AT00-0056 | NOZZLE 07 | • | | • | |
| 13 | AC12-0800 | INJECTION PIPE VISION 623 | • | | • | |
| 14 | AC00-2500 | BUSHING | • | | • | |
| | | | | | | |
| | | | | | | |
| | | | | | | |
| | | | | | | |

Note:



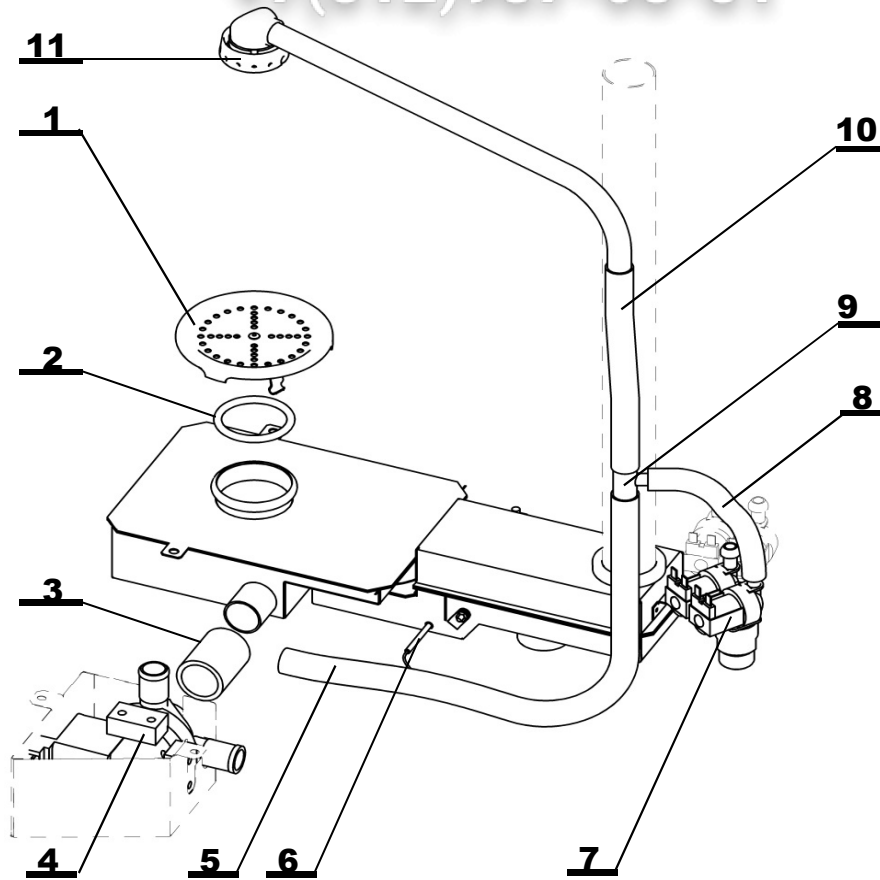
| Position | Code | Name | For type of combi steamer | | | |
|----------|-----------|-----------------------|---------------------------|--|-------|--|
| | | | B623i | | O623i | |
| 1 | AX04-0001 | SEAL \varnothing 55 | | | • | |
| 2 | AC02-2202 | DRAIN CAP | | | • | |
| 3 | ZA13-1549 | O-RING | | | • | |
| 4 | AT01-0013 | NOZZLE | | | • | |
| 5 | AA26-0156 | HOSE 16/22 - 350 | | | • | |
| 6 | AA26-0110 | HOSE 10x3,6 - 480 | | | • | |
| 7 | EA12-0050 | DOUBLE SOLENOID VALVE | | | • | |

Note:



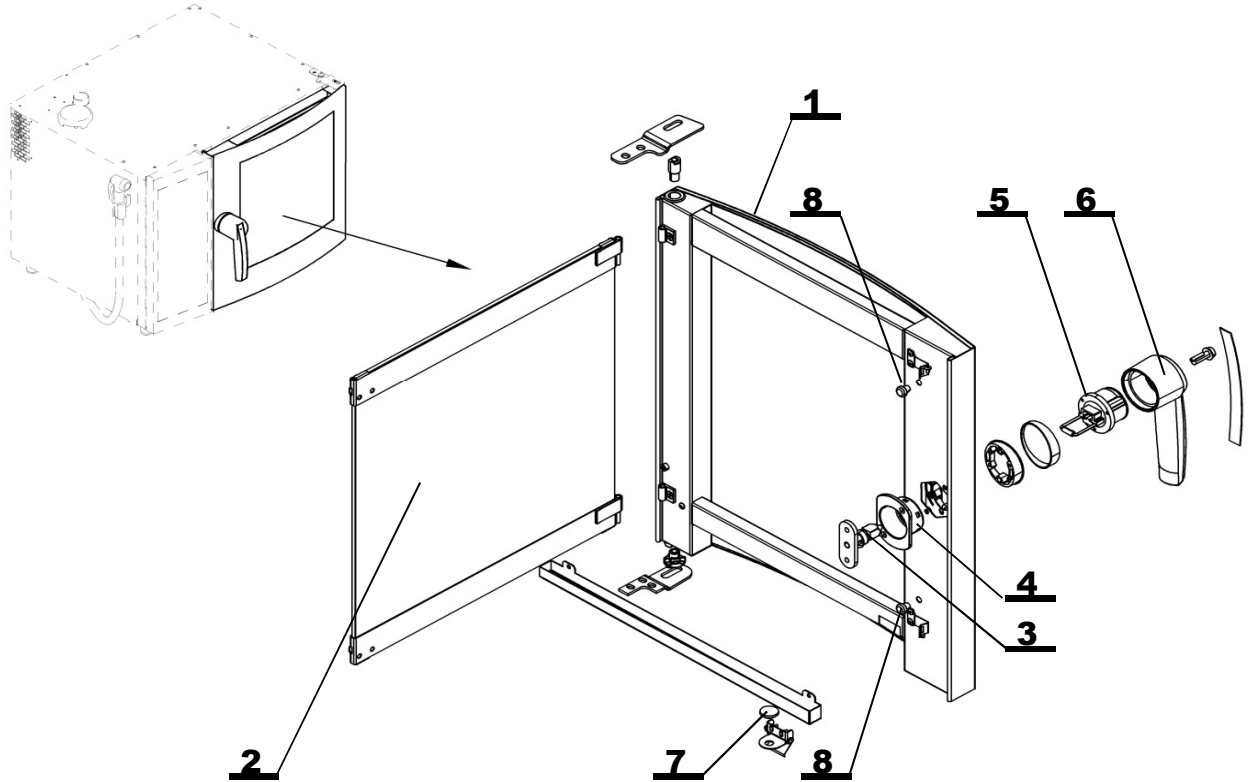
| Position | Code | Name | For type of combi steamer | | | |
|----------|-----------|-----------------------|---------------------------|--|-------|--|
| | | | B623i | | O623i | |
| 1 | AX04-0001 | SEAL \varnothing 55 | • | | | |
| 2 | AC02-2202 | DRAIN CAP | • | | | |
| 3 | ZA13-1549 | O-RING | • | | | |
| 4 | AT01-0013 | NOZZLE | • | | | |
| 5 | AA26-0156 | HOSE 16/22 - 350 | • | | | |
| 6 | AA26-0110 | HOSE 10x3,6 - 480 | • | | | |
| 7 | EA12-0050 | DOUBLE SOLENOID VALVE | • | | | |
| 8 | ZA13-1549 | O-RING | • | | | |
| | | | | | | |
| | | | | | | |
| | | | | | | |

Note:



| Position | Code | Name | For type of combi steamer | | | |
|----------|-----------|----------------------------------------------------|---------------------------|--|-------|--|
| | | | B623i | | O623i | |
| 1 | AC02-2202 | DRAIN CAP | • | | | |
| 2 | ZA13-1549 | O-RING | • | | | |
| 3 | AA00-0029 | HOSE 50 mm BLACK | • | | | |
| 4 | EA12-0001 | PUMP | • | | | |
| 5 | AA26-0157 | HOSE 16/22 - 450 | • | | | |
| 6 | EA10-0104 | DRAIN and BOILER TEMP. SENSOR 623, 611, 1011, 1221 | • | | | |
| 7 | EA12-0050 | DOUBLE SOLENOID VALVE | • | | | |
| 8 | AA26-0108 | HOSE 10x3,6 - 240 | • | | | |
| 9 | AC32-0400 | T-FITTING | • | | | |
| 10 | AA26-0150 | HOSE 16/22 - 230 | • | | | |
| 11 | AT32-0052 | CLEANING NOZZLE | • | | | |

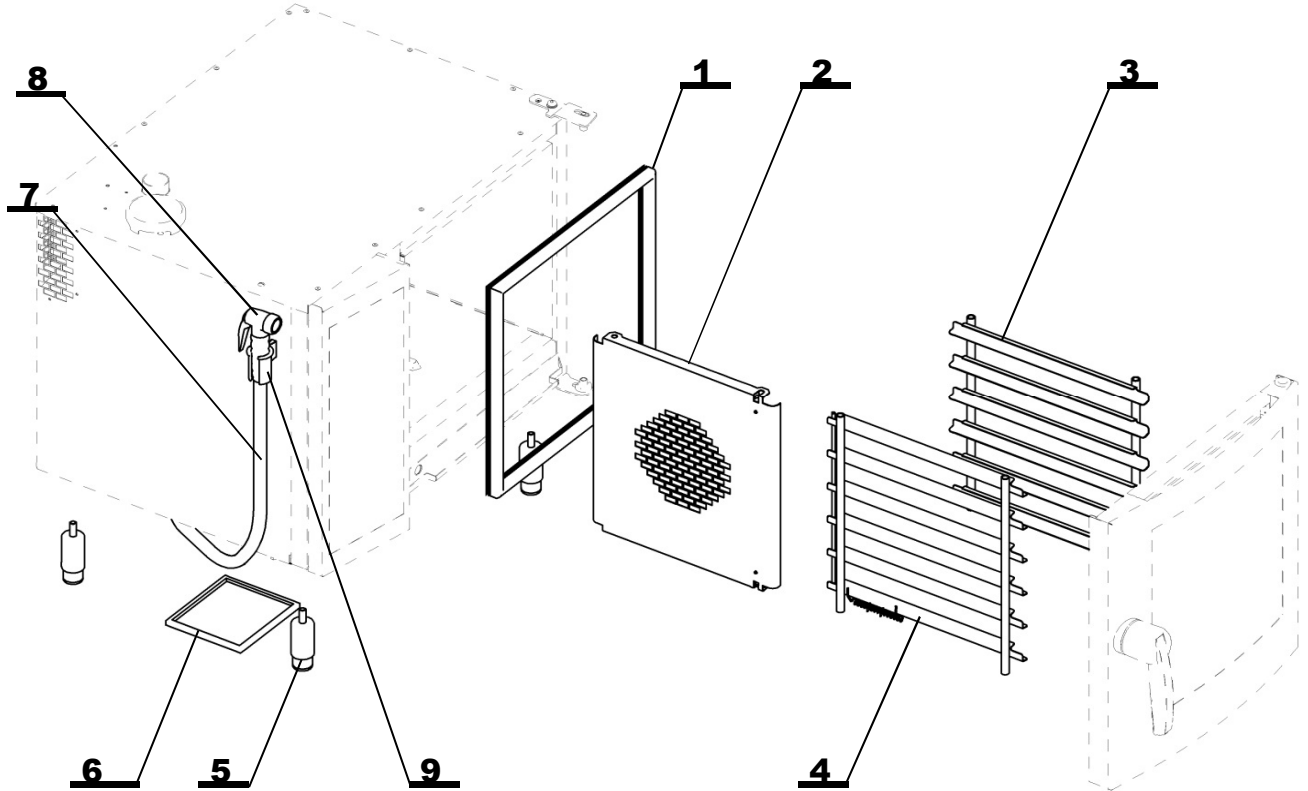
Note:



| Position | Code | Name | For type of combi steamer | | | |
|----------|-----------|--------------------------------|---------------------------|--|-------|--|
| | | | B623i | | O623i | |
| 1 | AC03-3600 | DOOR 623 - 07 VISION COMPLETE | • | | • | |
| 2 | AC03-3602 | INTERIOR GLASS 623 - 07 VISION | • | | • | |
| 3 | ZA20-0902 | LATCH KL-J | • | | • | |
| 4 | AX08-0020 | BOX | • | | • | |
| 5 | ZA20-0901 | DOOR MECHANISM 6303-020501 | • | | • | |
| 6 | AX08-0021 | HANDLE VISION | • | | • | |
| 7 | ZA13-0516 | STOPPER 10 GUZU | • | | • | |
| 8 | AX03-0076 | WINDOW STOP | • | | • | |

Note:

| | | | | | | |
|-----|-----------|--------------------------------|---|--|---|--|
| 3a | ZA20-0903 | LATCH KL-D - two steps opening | • | | • | |
| 5+6 | AC08-0700 | HANDLE 623,611,1011 Vision | • | | • | |



| Position | Code | Name | For type of combi steamer | | | |
|----------|-----------|-----------------------------|---------------------------|--|-------|--|
| | | | B623i | | O623i | |
| 1 | AX00-0034 | DOOR SEAL 623 VISION | • | | • | |
| 2 | AC14-1400 | INNER WALL 623 - VISION | • | | • | |
| 3 | AC19-1700 | RACK RIGHT 623 - VISION | • | | • | |
| 4 | AC18-1900 | RACK LEFT 623 - VISION | • | | • | |
| 5 | AA00-0027 | FOOT 623 | • | | • | |
| 6 | ZA17-0010 | AIR FILTER VISION | • | | • | |
| 7 | ZA11-0902 | RUBBER HOSE FOR SHOWER 1,6m | • | | • | |
| 8 | ZA15-0100 | SHOWER KLARCO | • | | • | |
| 9 | AT00-0002 | SHOWER HOLDER KLARCO | • | | • | |

Note:

Зип Общепит

vsezip.ru

+7(812)987-08-81

retigo®
Vision

RETIGO s.r.o.
Láň 2310, PS43
756 64 Rožnov pod Radhoštěm
email: service@retigo.com
tel.: +420 571 665 561