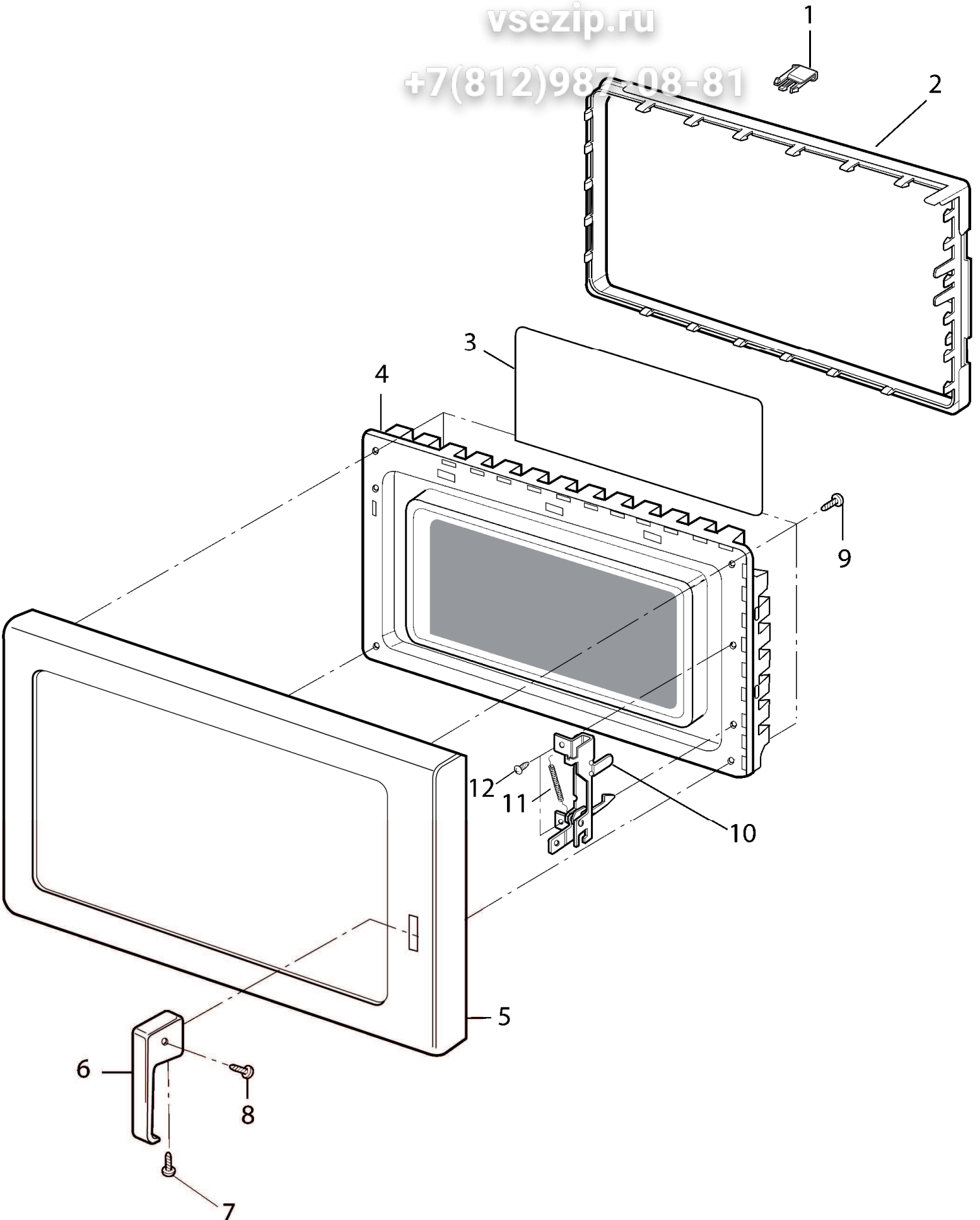


ВООБЩЕПИТ

vsezip.ru

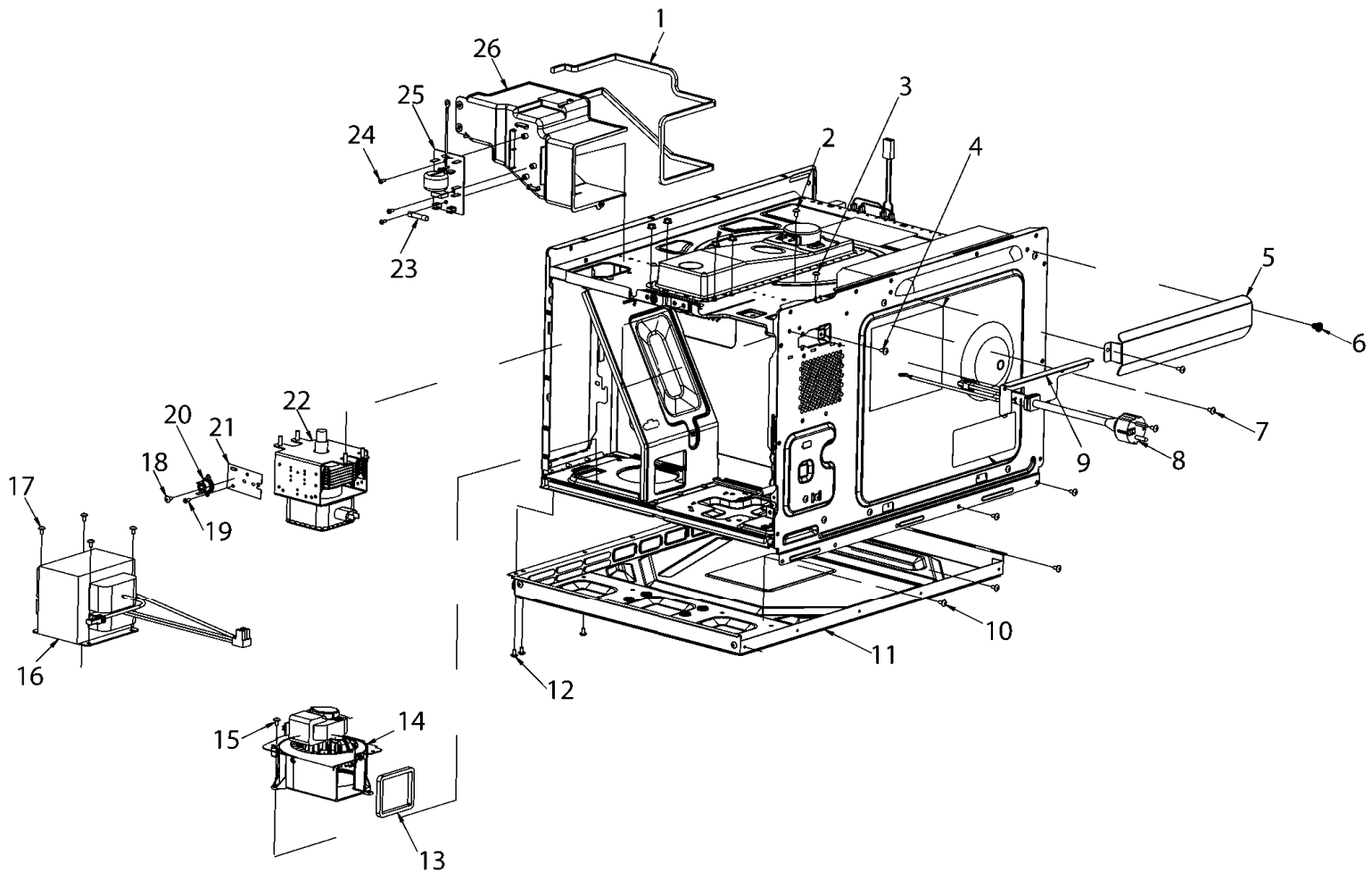
+7(812)987-08-81



ИНТЕРИОР

vsezip.ru

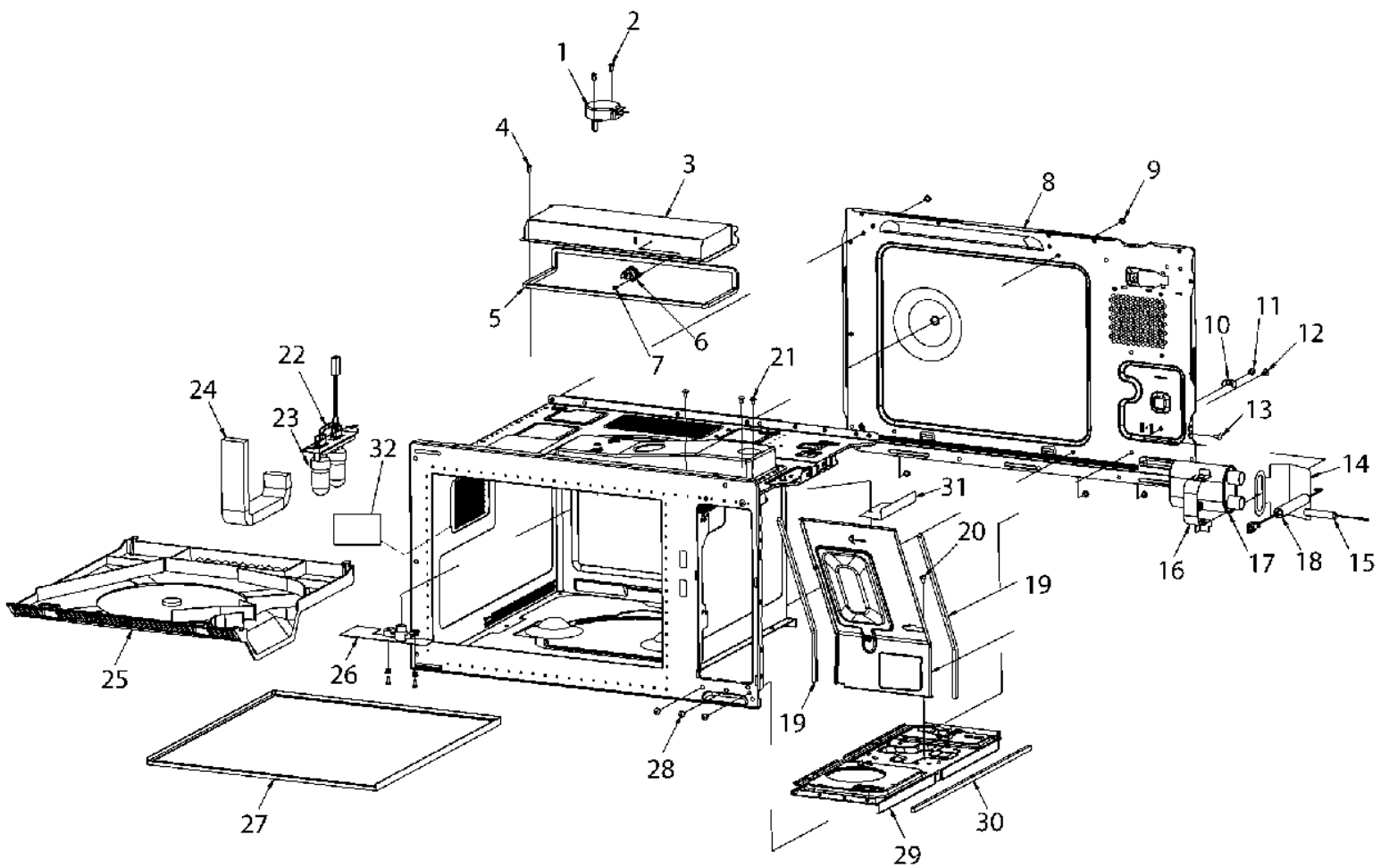
+7(812)987-08-81



ОВЕНГА Общепит

vsezip.ru

+7(812)987-08-81

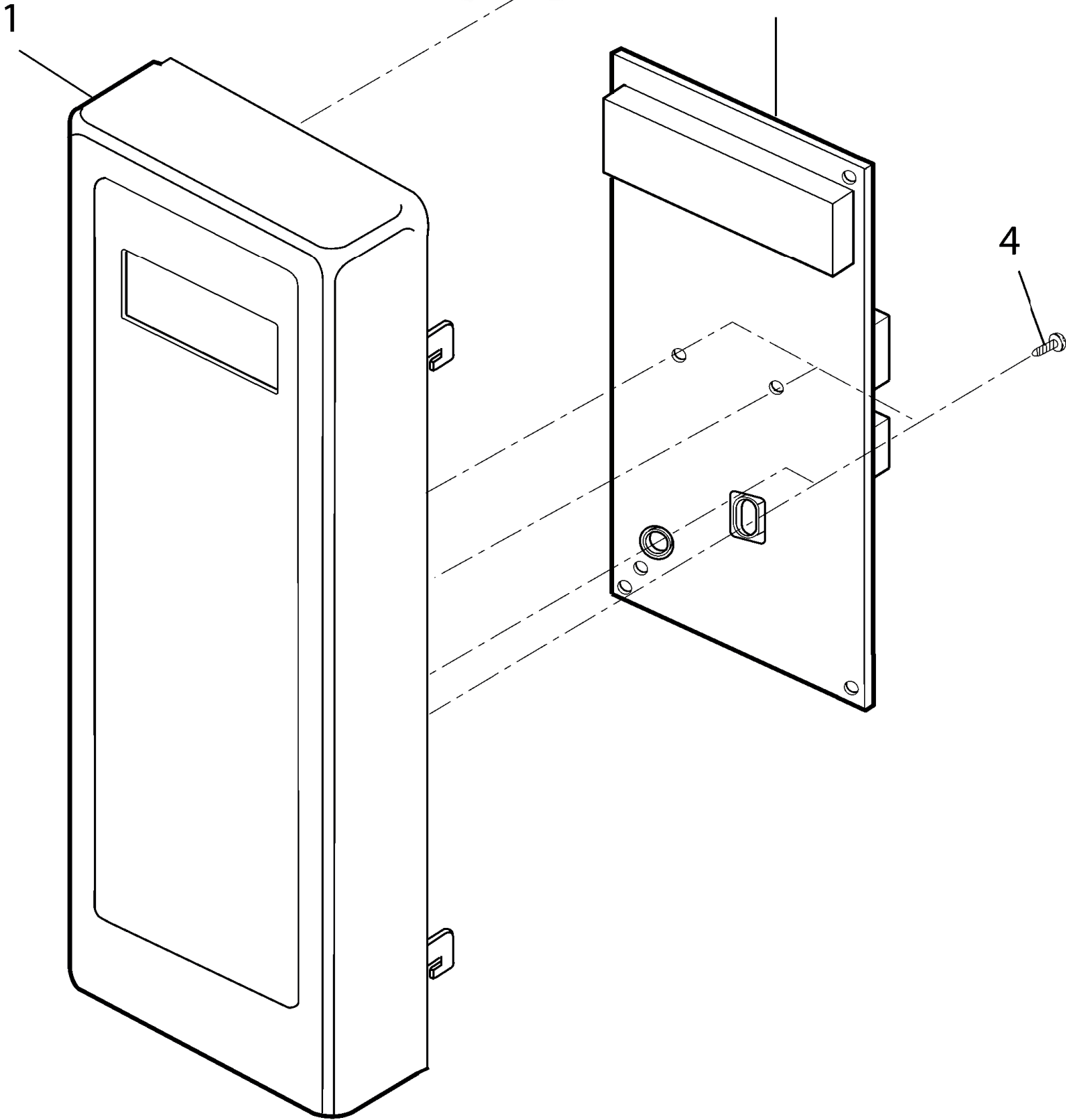


TOUCH PANEL

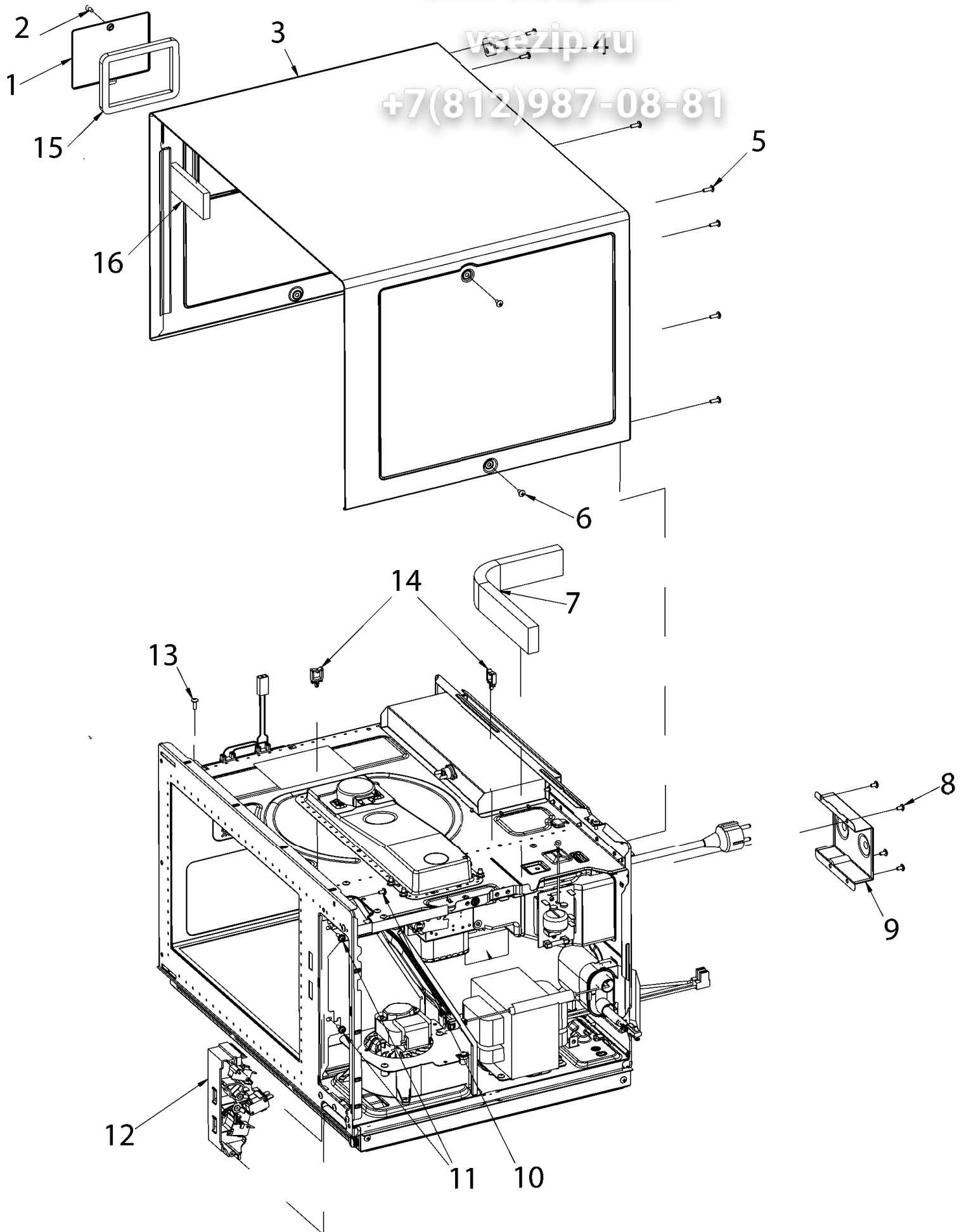
Сенсорная панель

vsezip.ru

+7(812)987-08-81



WRAPPER / INTERLOCK



Seite	Pos	Kredtor Artikel Nr.	GB
001	001	53001543	CAP, TOP HINGE
001	002	53002013	COVER, CHOKE
001	003	13066801	WINDOW, INNER
001	004	53002018	WELD, INNER DOOR
001	005	54116003	OUTER DOOR ASSY- MM
001	006	12002453	KIT, HANDLE
001	007	59002164	SCREW, HANDLE BOTTOM
001	008	59002163	SCREW, HANDLE SIDE
001	009	54116024	SCREW
001	010	53001779	LATCH
001	011	53001780	SPRING
001	012	54116038	SCREW
002	001	59004077	GASKET, PER FT
002	002	54116017	SCREW
002	003	54116052	SCREW
002	004	54116052	SCREW
002	005	53001620	DEFLECTOR, AIR
002	006	54116029	SCREW
002	007	54116017	SCREW
002	008	53001818	POWER CORD
002	009	53001621	COVER, POWER CORD
002	010	54116017	SCREW
002	011	53001625	PLATE, BASE- W/COVER & GASKETS
002	012	54116017	SCREW
002	013	59004077	GASKET, PER FT
002	014	53001670	BLOWER MOTOR ASSY
002	015	54116017	SCREW
002	016	53002024	TRANSFORMER, HV
002	017	54116017	SCREW
002	018	54116017	SCREW
002	019	54116024	SCREW
002	020	54116069	THERMAL CUTOUT, MAG
002	021	53001643	BRACKET, THERMOSTAT
002	022	59001484	MAGNETRON
002	023	M0805105	FUSE-12A
002	024	54116024	SCREW
002	025	53001667	FILTER ASSEMBLY, NOISE
002	026	53001563	DUCT, MAIN
003	001	59001625	MOTOR, ANTENNA
003	002	54116037	SCREW
003	003	53001559	DUCT, OUTLET-TOP
003	004	54116021	SCREW
003	005	59004077	GASKET, PER FT
003	006	53001817	THERMAL CUTOUT, CAVITY
003	007	54116025	SCREW
003	008	54116066	BACK-OVEN
003	009	54116017	SCREW
003	010	54116049	HOLDER-GROUND
003	011	53001554	RIVET ASSY
003	012	54116029	SCREW
003	013	54116052	SCREW
003	014	53002068	INSULATOR
003	015	20036801	DIODE, SLEEVED
003	016	53002067	BRACKET, CAPACITOR
003	017	53002066	CAPACITOR
003	018	54116072	FUSE, HV
003	019	59004077	GASKET, PER FT
003	020	54116017	SCREW
003	021	54116017	SCREW
003	022	53001591	LAMP SOCKET / BRACKET ASSY
003	023	53001590	LAMP
003	024	53001610	GASKET
003	025	53002003	ANTENNA SHIELD
003	026	12002451	KIT, ANTENNA - W/RIVETS
003	027	53002009	TRAY, CERAMIC
003	028	54116064	RIVET ASSY
003	029	54116017	SCREW
003	030	53001568	BASE, TRANSFORMER
003	031	59004077	GASKET, PER FT

Zip-Общепит

vsezip.ru

+7(812)987-08-81

Seite	Pos	Kreditor Artikel Nr.	GB
003	032	13066801	WINDOW, INNER
004	001	54116007	ESC/TOUCH PANEL ASSY- SW
004	002	54116017	SCREW
004	003	54116068	BOARD, HV/LV
004	004	54116044	SCREW
005	001	53001579	COVER, LAMP- SS
005	002	53001609	SCREW
005	003	53001577	WRAPPER- SS
005	004	53001619	BRACKET, STACKING
005	005	54116021	SCREW
005	006	54116031	SCREW
005	007	53001610	GASKET
005	008	54116017	SCREW
005	009	54116073	DUCT, REAR AIR
005	010	54116017	SCREW
005	011	54116037	SCREW
005	012	53002030	SWITCH, INTERLOCK ASSY
005	013	54116021	SCREW
005	014	B5667304	CLIP-WIRE
005	015	59004077	GASKET, PER FT
005	016	53001610	GASKET

Зип-Общепит

vsezip.ru

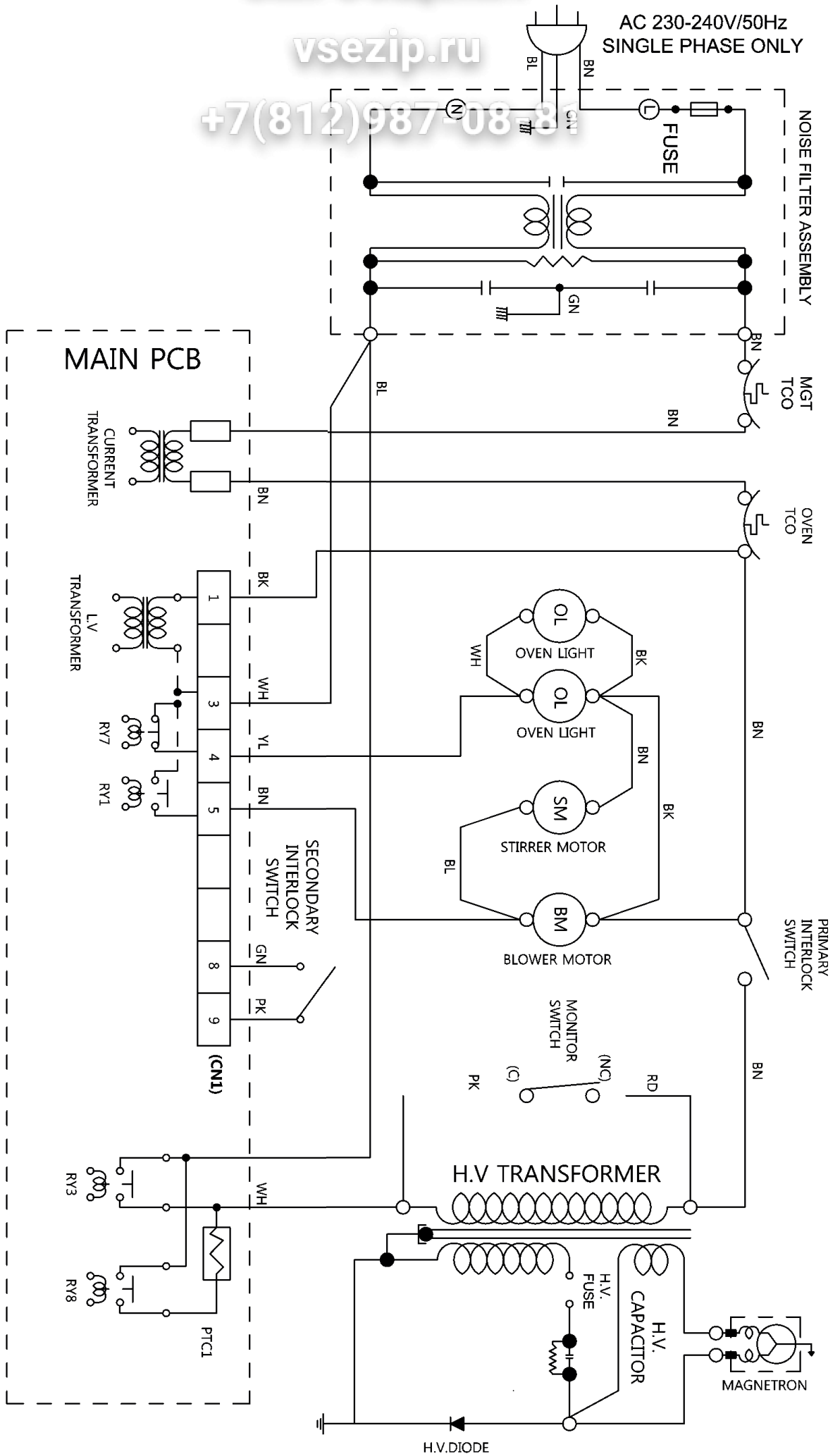
+7(812)987-08-81

WIRING DIAGRAM

vsezip.ru

+7(812)987-08-81

AC 230-240V/50Hz
SINGLE PHASE ONLY



NOTE:
1.DOOR IS OPENED.
2.WIRE COLOR

SYMBOL	COLOR
BK	BLACK
BN	BROWN
BL	BLUE
GN	GREEN
PK	PINK
RD	RED
WH	WHITE
YL	YELLOW