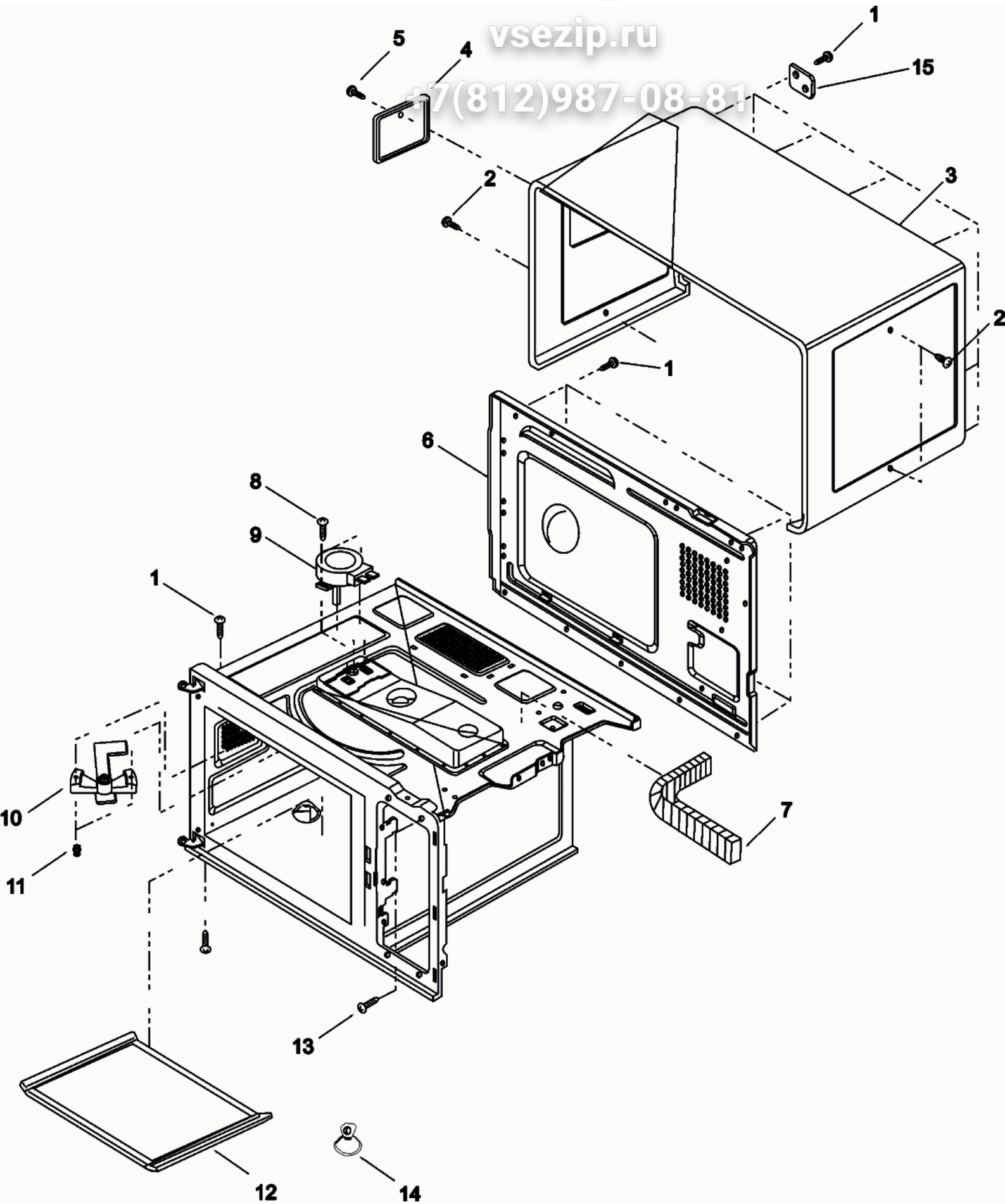


Зип Общепит

vsezip.ru

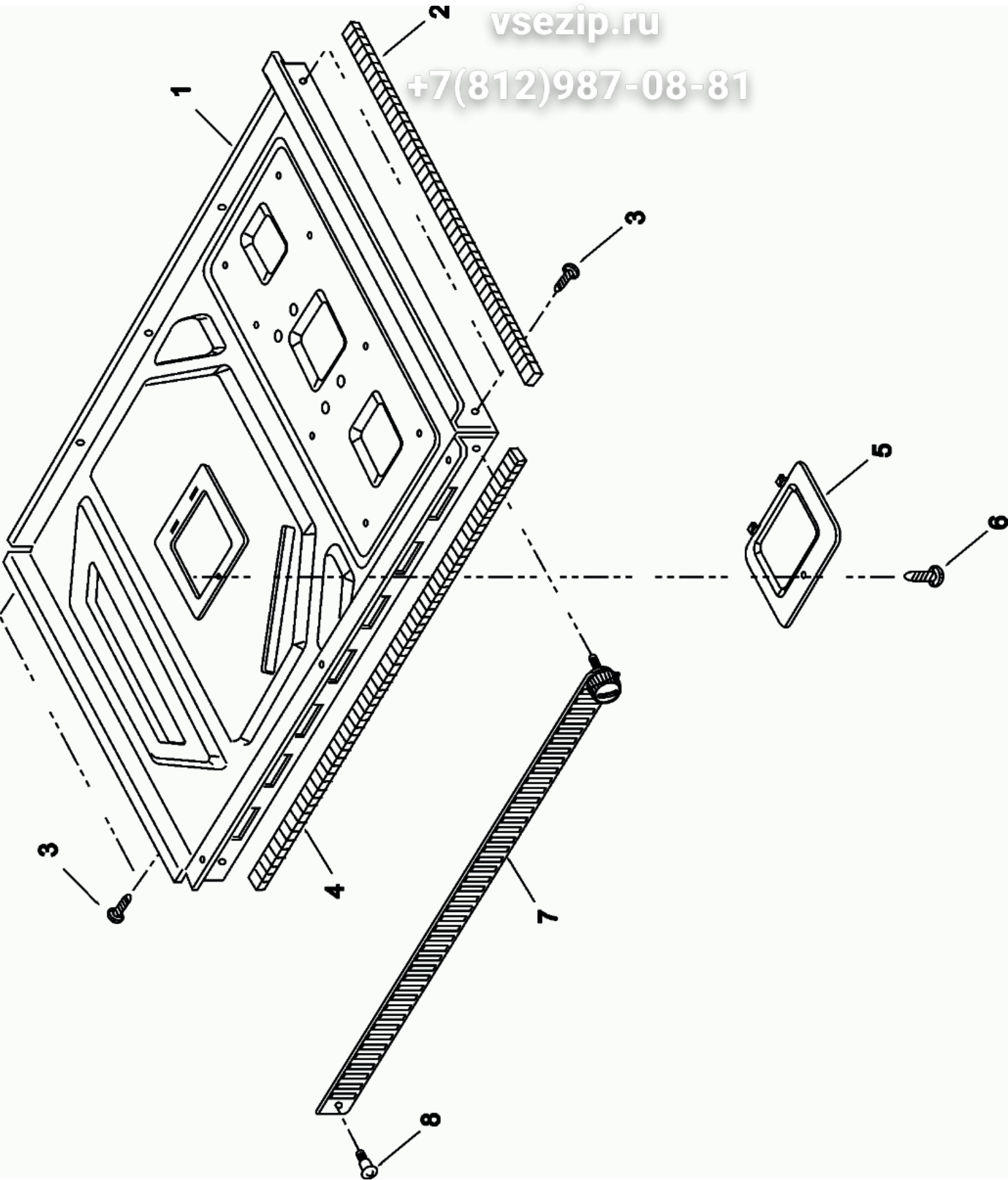
+7(812)987-08-81



Зип Общепит

vsezip.ru

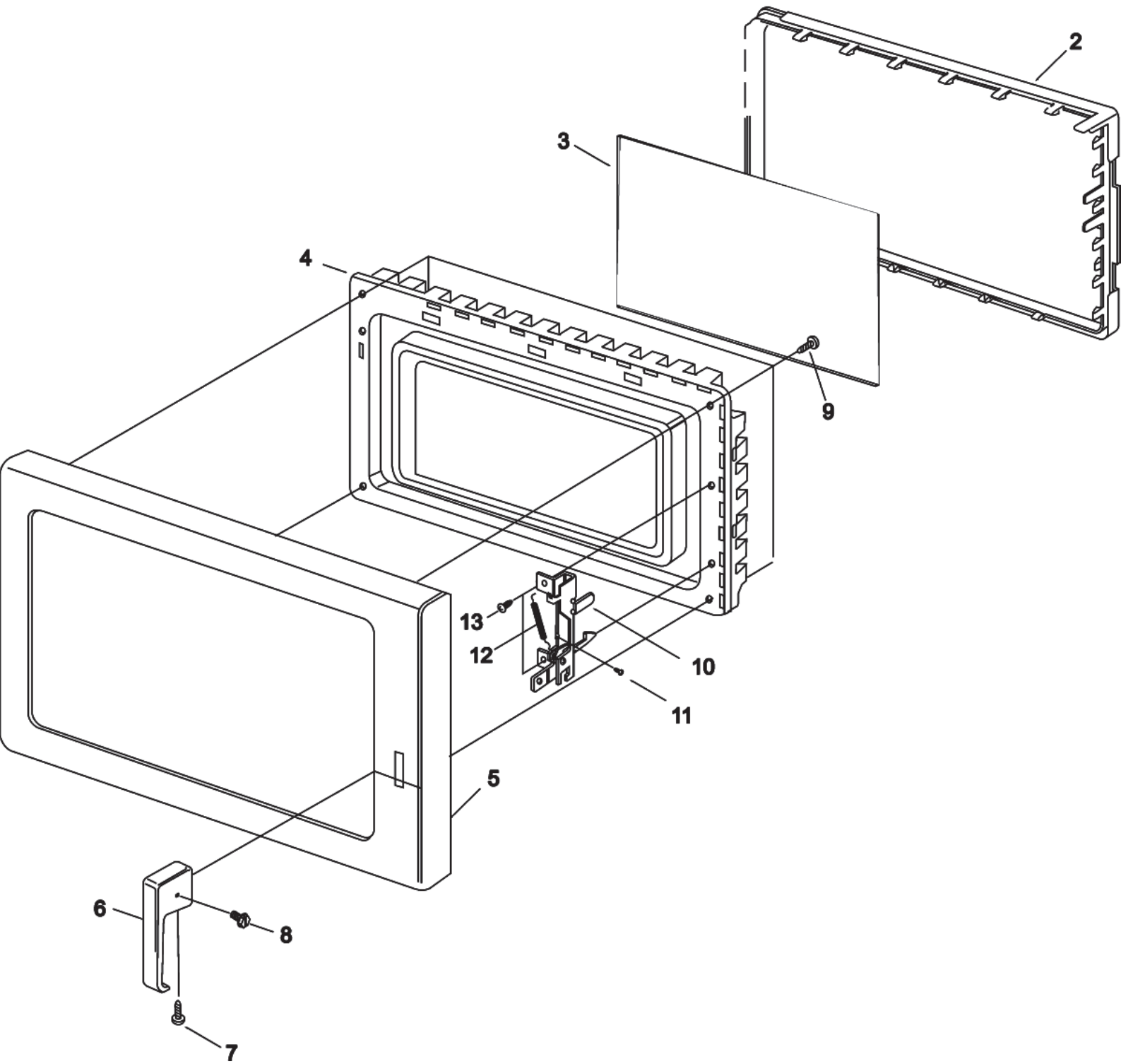
+7(812)987-08-81



Зип Общепит

vsezip.ru

+7(812)987-08-81



Зип Общепит

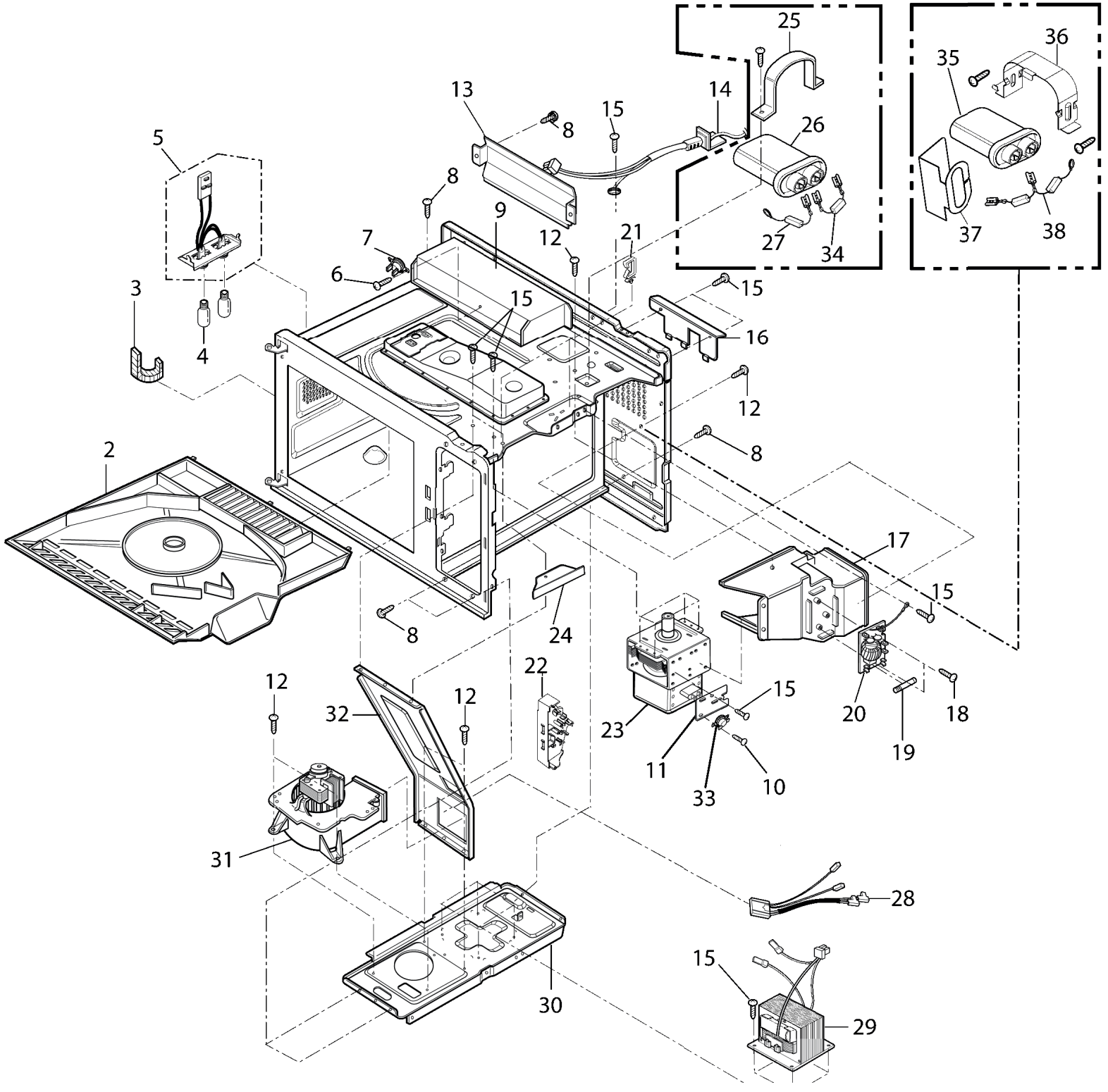
vsezip.ru

+7(812)987-08-81

1



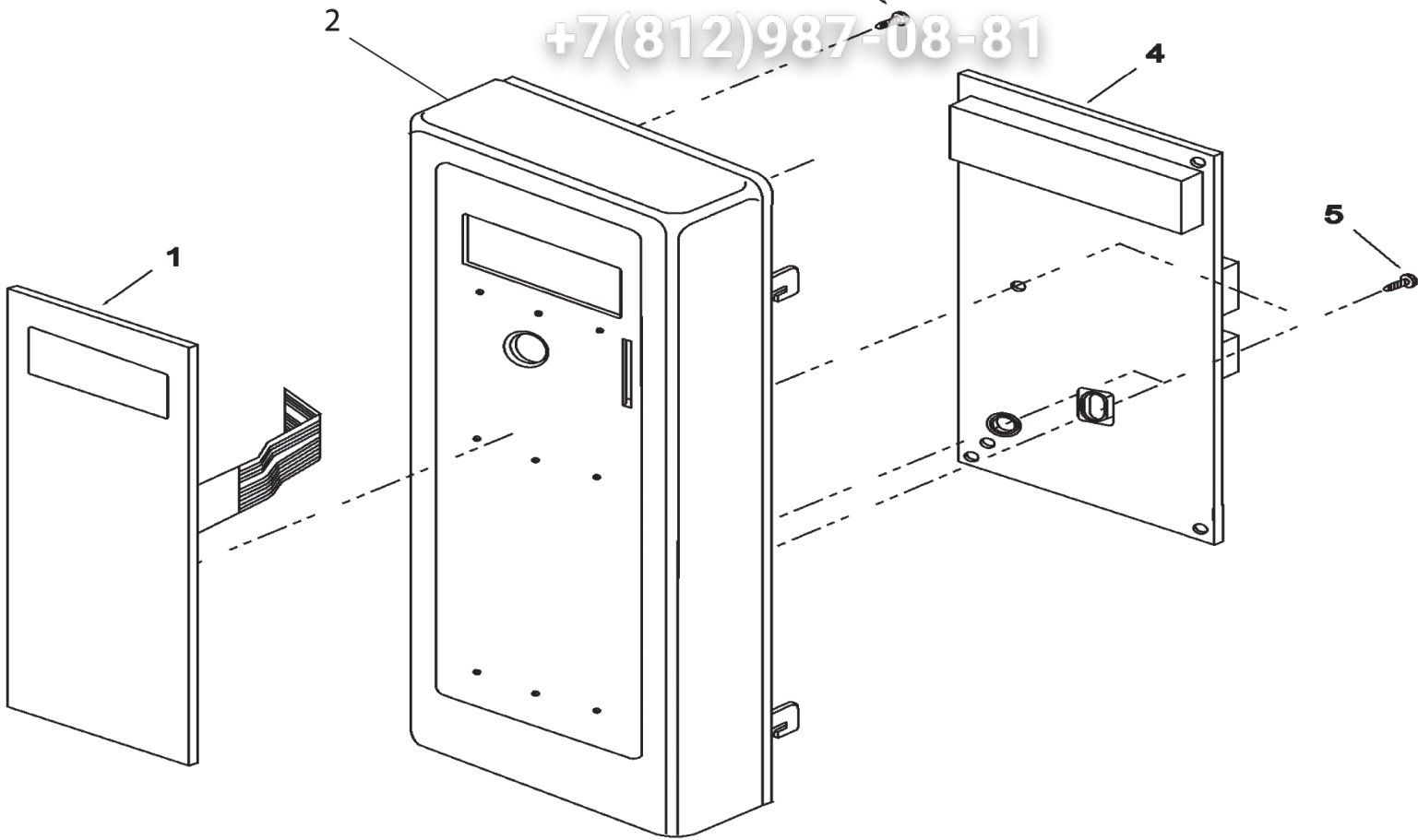
Alternate Location



Зип Общепит

vsezip.ru

+7(812)987-08-81



Seite	Pos	Kredtor Artikel Nr.	GB
001	001	R0654183	SCREW, TRUSS HD
001	002	R0131246	SCREW, TAPPING TRUSS HEAD
001	003	53001577	WRAPPER- SS
001	004	53001579	COVER, LAMP- SS
001	005	53001609	SCREW
001	006	53001551	PANEL, BACK
001	007	53001610	GASKET
001	008	R0654180	SCREW, PAN HD
001	009	59001625	MOTOR, ANTENNA
001	010	12002451	KIT, ANTENNA - W/RIVETS
001	011	53001554	RIVET ASSY
001	012	53002009	TRAY, CERAMIC
001	013	R0131246	SCREW, TAPPING TRUSS HEAD
001	014	59001235	SUCTION CUP- FOR TRAY REMOVAL
001	015	53001619	BRACKET, STACKING
002	001	53001625	PLATE, BASE- W/COVER & GASKETS
002	002	R0000413	GASKET, BASEPAN - 90 in (228 cm)
002	003	R0131246	SCREW, TAPPING TRUSS HEAD
002	004	R0000413	GASKET, BASEPAN - 90 in (228 cm)
002	005	53001628	COVER, BASE
002	006	R0131246	SCREW, TAPPING TRUSS HEAD
002	007	53001571	FILTER, AIR- W/THUMB SCREW
002	008	53001629	SCREW
003	001	53001543	CAP, TOP HINGE
003	002	53002013	COVER, CHOKE
003	003	13066801	WINDOW, INNER
003	004	53002018	WELD, INNER DOOR
003	005	53001820	OUTER DOOR ASSY
003	006	12002453	KIT, HANDLE
003	007	59002163	SCREW, HANDLE SIDE
003	008	59002164	SCREW, HANDLE BOTTOM
003	009	R0654030	SCREW, PAN HD S/TAP
003	010	53001779	LATCH
003	011	R0654180	SCREW, PAN HD
003	012	53001780	SPRING
003	013	R0131246	SCREW, TAPPING TRUSS HEAD
004	001	53001661	HARNESS, MAIN
004	002	59004012	ANTENNA SHIELD
004	003	53001610	GASKET
004	004	53001590	LAMP
004	005	53001591	LAMP SOCKET / BRACKET ASSY
004	006	R0654030	SCREW, PAN HD S/TAP
004	007	53001817	THERMAL CUTOUT, CAVITY
004	008	R0131246	SCREW, TAPPING TRUSS HEAD
004	009	53001559	DUCT, OUTLET-TOP
004	010	R0131307	NLA- SCREW, TAPPING,PAN HEAD
004	011	53001643	BRACKET, THERMOSTAT
004	012	R0654183	SCREW, TRUSS HD
004	013	53001620	DEFLECTOR, AIR
004	014	53001818	POWER CORD
004	015	R0654028	SCREW, BINING HD S/TAP
004	016	53001621	COVER, POWER CORD
004	017	53001563	DUCT, MAIN
004	018	53001462	SCREW, PAN HEAD
004	019	M0805105	FUSE-12A
004	020	53001667	FILTER ASSEMBLY, NOISE
004	021	B5667304	CLIP-WIRE
004	022	14090023	KIT, INTERLOCK SWITCH
004	023	59004083	MAGNETRON
004	024	53001622	BRACKET
004	025	53001663	BRACKET, CAPACITOR
004	026	59004046	CAPACITOR, 1.20 MF
004	027	53001583	DIODE
004	028	53001668	NLA- HARNESS, TRANSFORMER PRIMARY
004	029	53002024	TRANSFORMER, HV
004	030	53001568	BASE, TRANSFORMER
004	031	53001670	BLOWER MOTOR ASSY
004	032	53001570	GUIDE, AIR
004	033	R9900542	THERMAL CUTOUT, MAG

Seite	Pos	Kredtor Artikel Nr.	GB
004	034	53001725	CABLE ASSY, CIRCUIT PROTECTOR
004	035	53002066	CAPACITOR
004	036	53002067	BRACKET, CAPACITOR
004	037	53002068	INSULATOR
004	038	53001210	DIODE
005	001	53002010	TOUCH PANEL
005	002	53002026	ESCUTCHEON / TOUCH PANEL
005	003	R0654178	SCREW, SPECIAL D
005	004	53001659	BOARD, HV/LV
005	005	53001462	SCREW, PAN HEAD

Зип Общепит

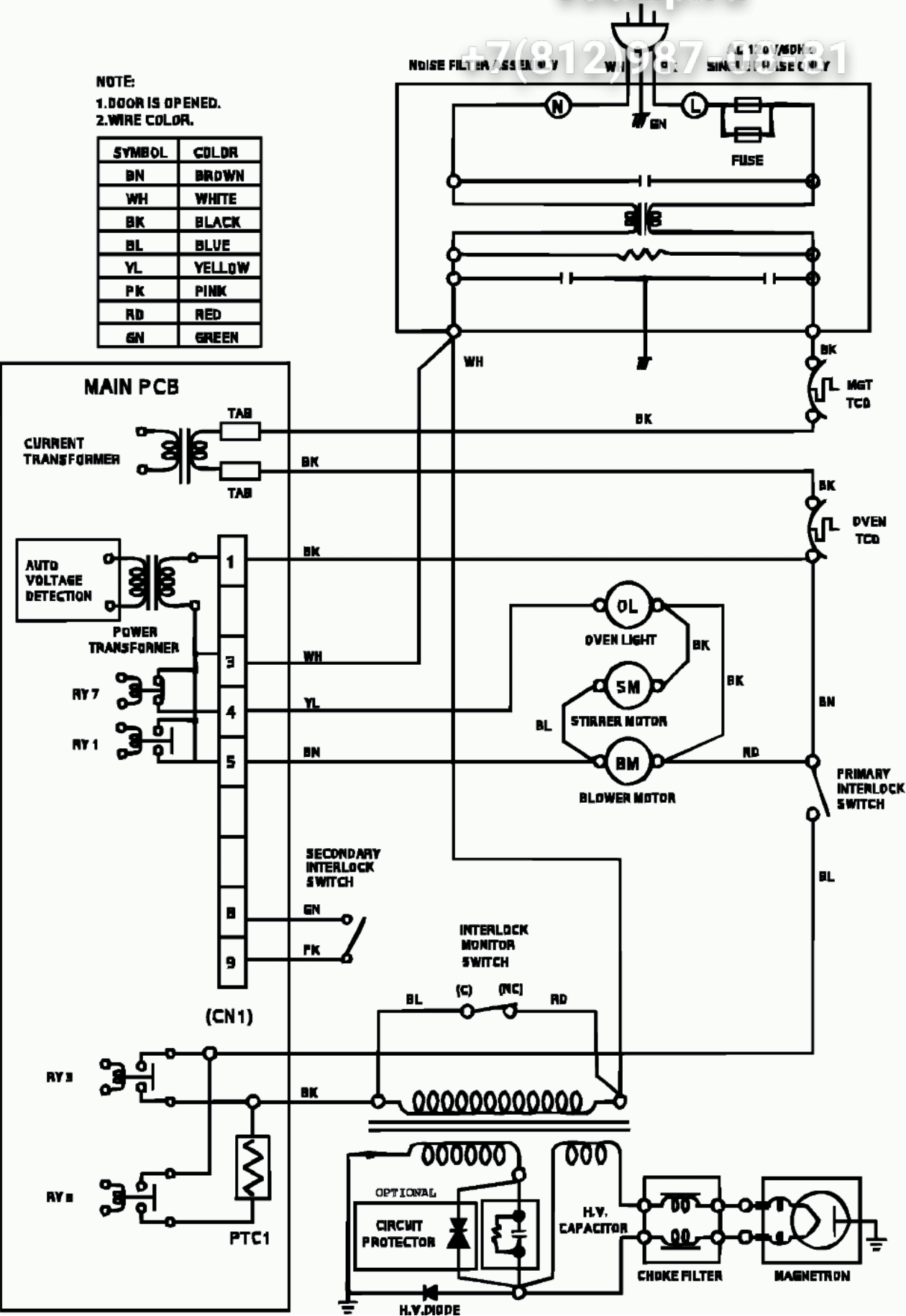
vsezip.ru

+7(812)987-08-81



NOTE:  
1. DOOR IS OPENED.  
2. WIRE COLOR.

SYMBOL	COLOR
BN	BROWN
WH	WHITE
BK	BLACK
BL	BLUE
YL	YELLOW
PK	PINK
RD	RED
GN	GREEN



IMPORTANT SAFETY NOTE: THE SHADED AREAS ON THIS SCHEMATIC DIAGRAM INCORPORATE SPECIAL FEATURES IMPORTANT FOR PROTECTION FROM MICROWAVE RADIATION/ELECTRICAL SHOCK, AND HAZARDS. WHEN SERVICING IT IS ESSENTIAL THAT ONLY MANUFACTURER'S SPECIFIED PARTS BE USED FOR THE CRITICAL COMPONENTS IN THE SHADED AREAS OF THE SCHEMATIC DIAGRAM.

NOTICE: SINCE THIS IS BASIC SCHEMATIC DIAGRAM, THE VALUES OF COMPONENTS AND SOME PARTIAL CONNECTIONS ARE SUBJECT TO CHANGE FOR IMPROVEMENT.