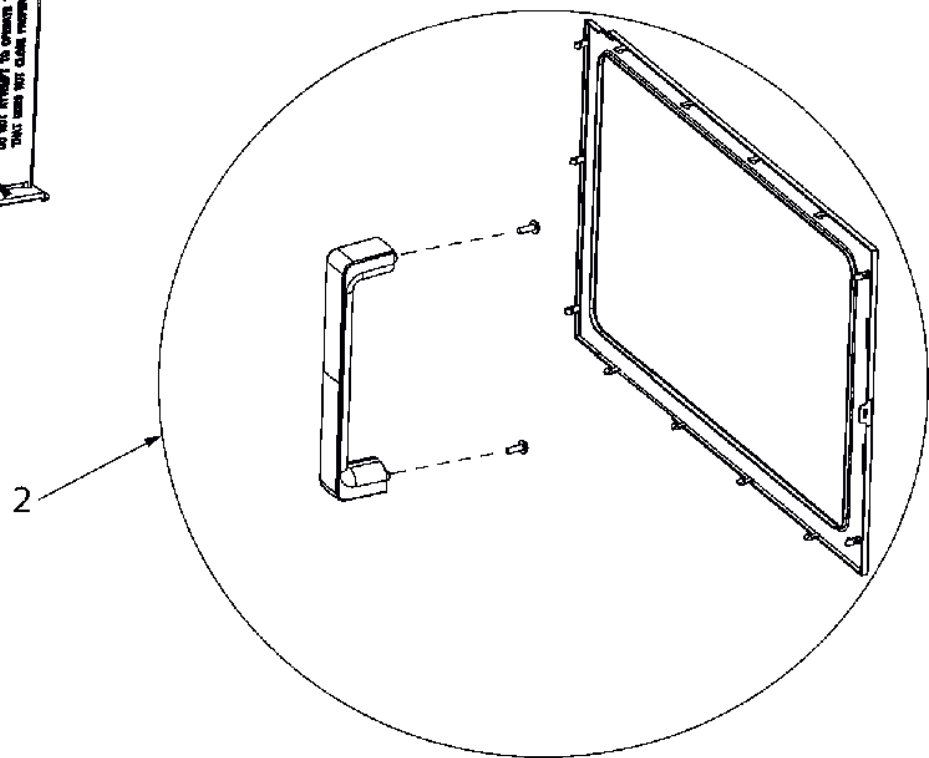
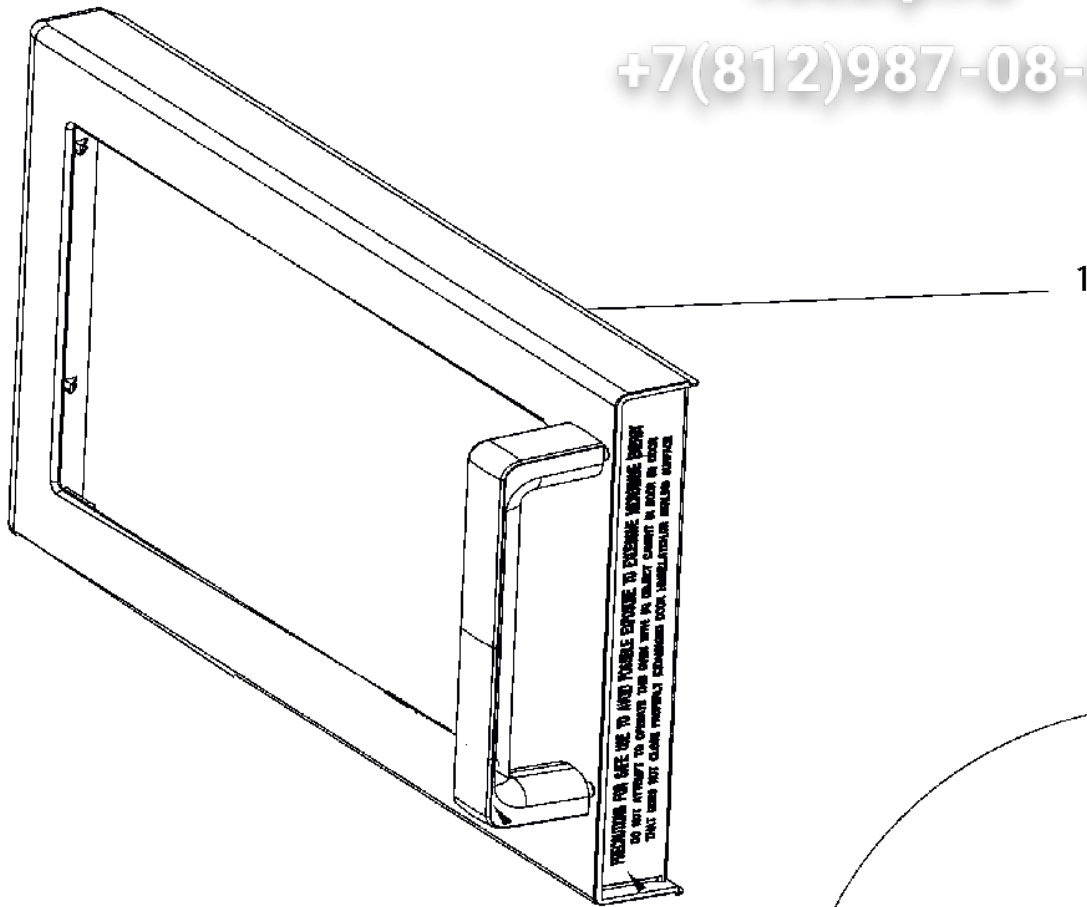


ЗАО «Общепит»

vsezip.ru

+7(812)987-08-81

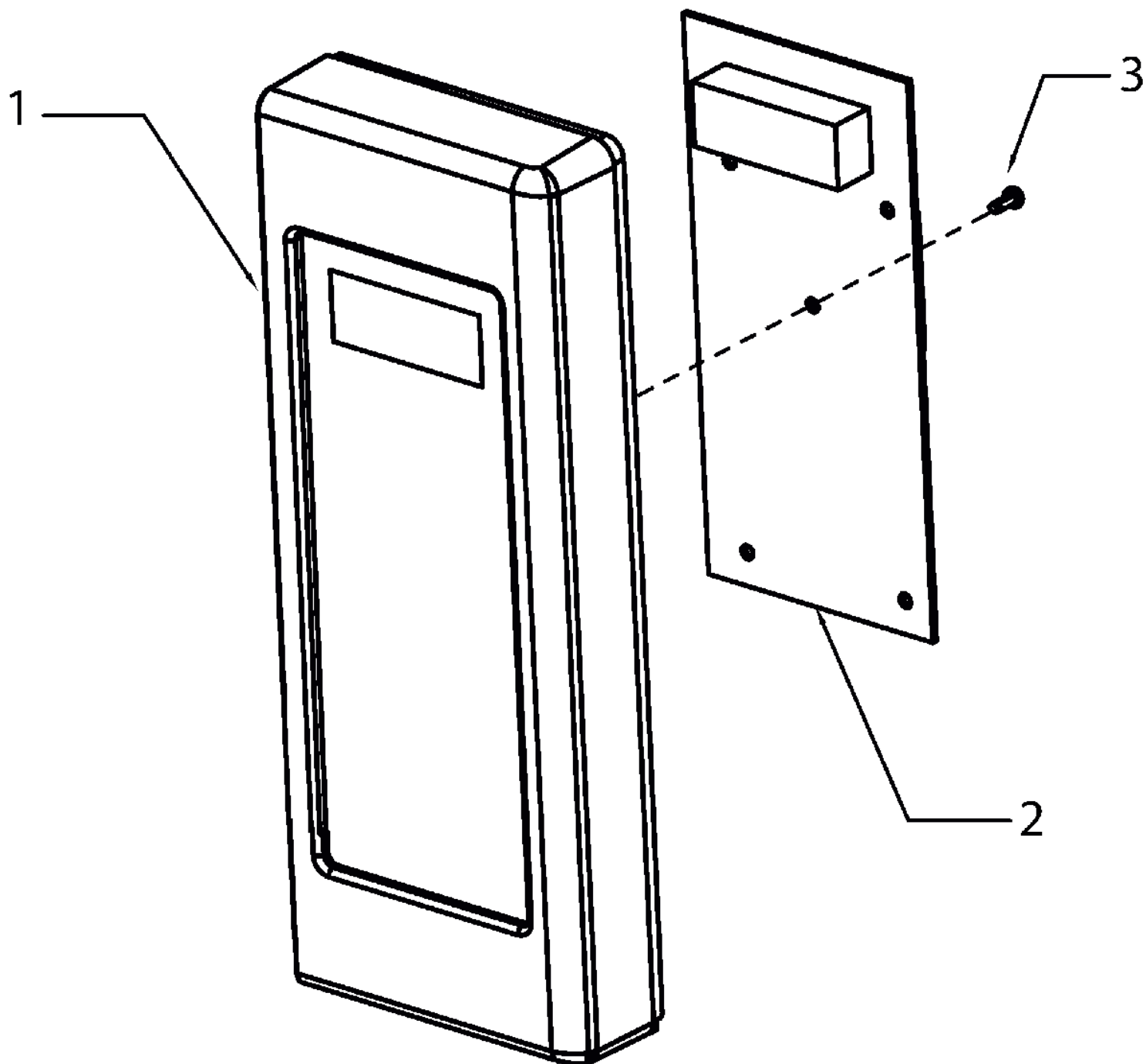


ELECTRONIC CONTROL

ООО «ВЭИ»

vsezip.ru

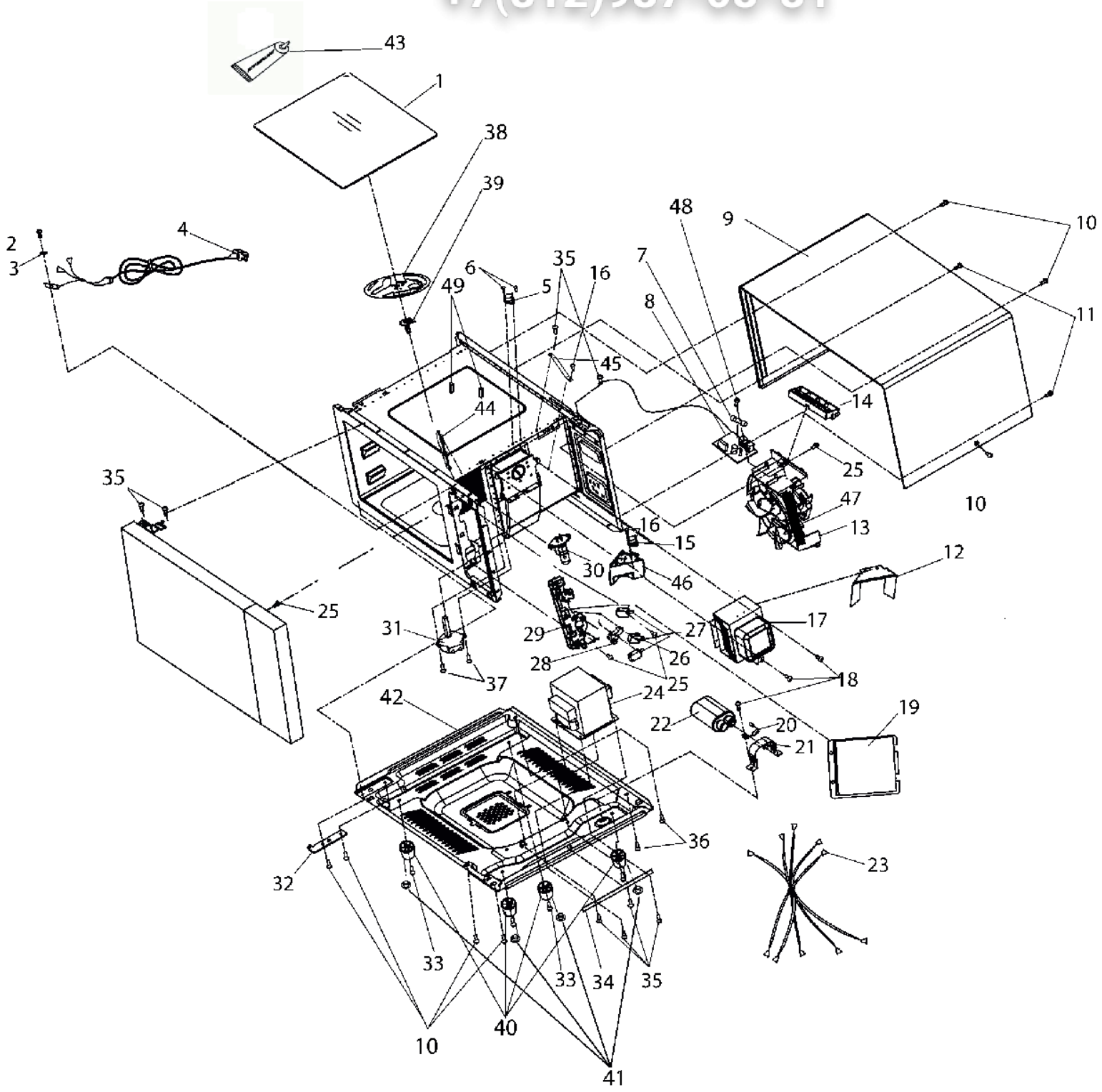
+7(812)987-08-81



OVEN CAVITY

vsezip.ru

+7(812)987-08-81



Seite	Pos	Kreditor Artikel Nr.	GB
001	001	58101013	DOOR ASSY, MENUMASTER
001	002	14128072	KIT, DOOR HANDLE
002	001	58101006	ESC/TOUCH PANEL ASSY
002	002	58101009	BOARD, HV/LV
002	003	58101041	SCREW
003	001	58101001	TRAY, CERAMIC
003	002	58101047	SCREW
003	003	58101051	WASHER, LOCK
003	004	58101026	POWER CORD
003	005	58101029	THERMAL CUTOUT, CAVITY
003	006	58101041	SCREW
003	007	58101065	FUSE
003	008	58101021	FUSE BLOCK / FILTER ASSY
003	009	58101059	WRAPPER
003	010	58101044	SCREW
003	011	58101068	SCREW-TX
003	012	58101040	DEFLECTOR
003	013	58101055	BLOWER MOTOR ASSY
003	014	58101033	SPACER
003	015	58101031	THERMAL CUTOUT, MAG
003	016	58101041	SCREW
003	017	53002004	MAGNETRON
003	018	58101047	SCREW
003	019	58101060	GUIDE, AIR- RIGHT
003	020	56001436	DIODE
003	021	58101057	BRACKET, CAPACITOR
003	022	58101018	CAPACITOR, .95
003	023	58101036	HARNESS, MAIN
003	024	58101016	TRANSFORMER, HV
003	025	58101045	SCREW
003	026	59002157	SWITCH, MONITOR
003	027	56001036	SWITCH, INTERLOCK- PRIMARY
003	028	58101035	LEVER
003	029	58101034	BRACKET, SWITCH
003	030	58101023	LAMP
003	031	58101052	MOTOR, ANTENNA
003	032	58101066	BRACKET, HINGE
003	033	58101043	SCREW
003	034	59004077	GASKET, PER FT
003	035	58101047	SCREW
003	036	58101044	SCREW
003	037	58101050	SCREW
003	038	58101058	BLADE, STIRRER
003	039	58101054	SHAFT, STIRRER
003	040	58101003	FOOT
003	041	58101004	PLUG, FOOT
003	042	58101002	BASEPAN
003	043	59002167	SEALER
003	044	58101039	BRACKET, SUPPORT
003	045	58101067	BRACKET, SUPPORT - MAG
003	046	58101038	DUCT, AIR
003	047	A3030374	GASKET
003	048	58101049	SCREW
003	049	58101069	SPACER

Зип-Общепит

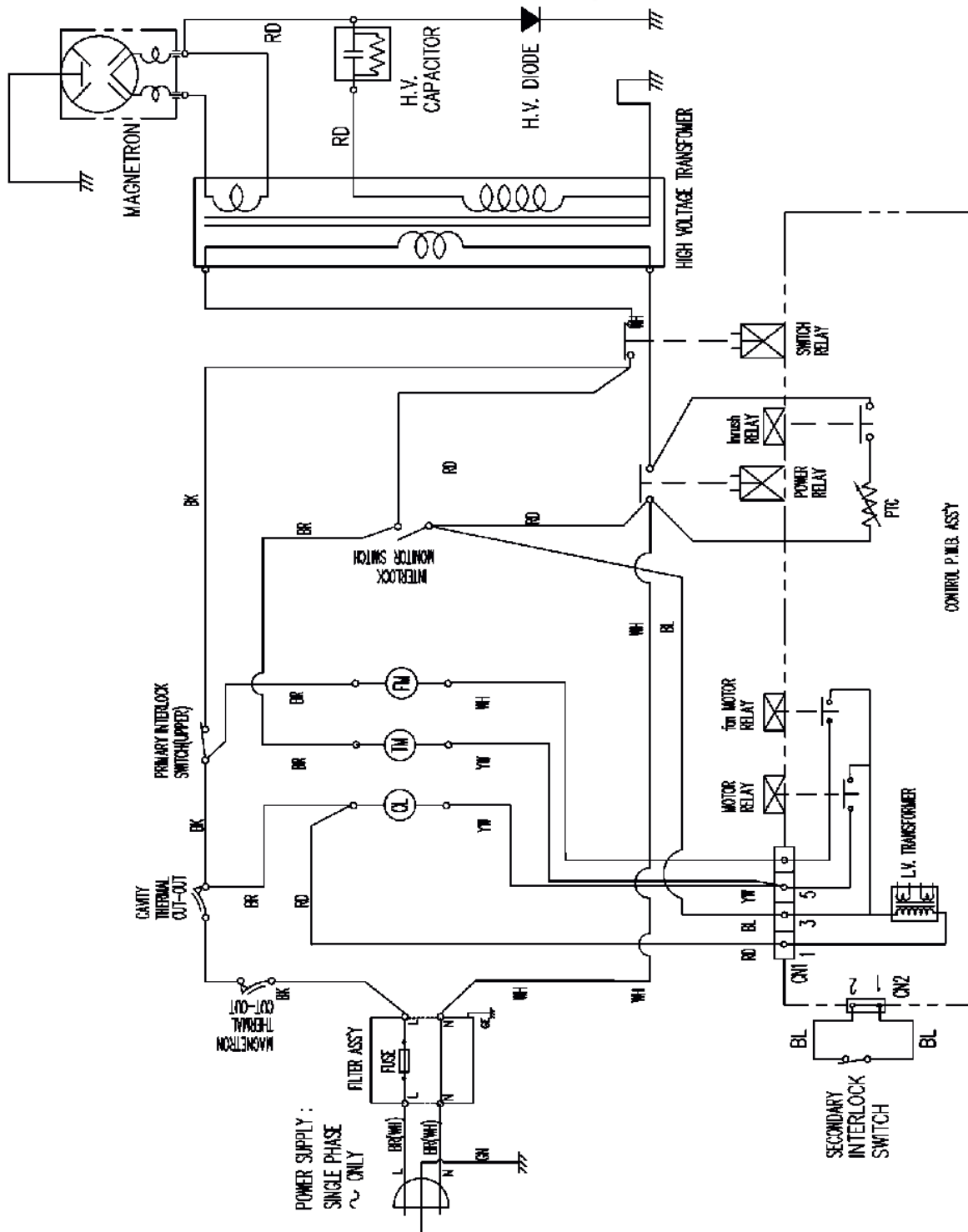
vsezip.ru

+7(812)987-08-81

WIRING DIAGRAM

vsezip.ru

+7(812)987-08-81



[CONDITION]

DOOR : CLOSED

COOK : OFF

NOTE :

⊙ : OVEN LAMP

⊕ : FAN MOTOR

⊕ : TRAY MOTOR

BK : BLACK

RD : RED

WH : WHITE

YW : YELLOW

BL : BLUE

BR : BROWN

GN : GREEN

GE : YELLOW/GREEN