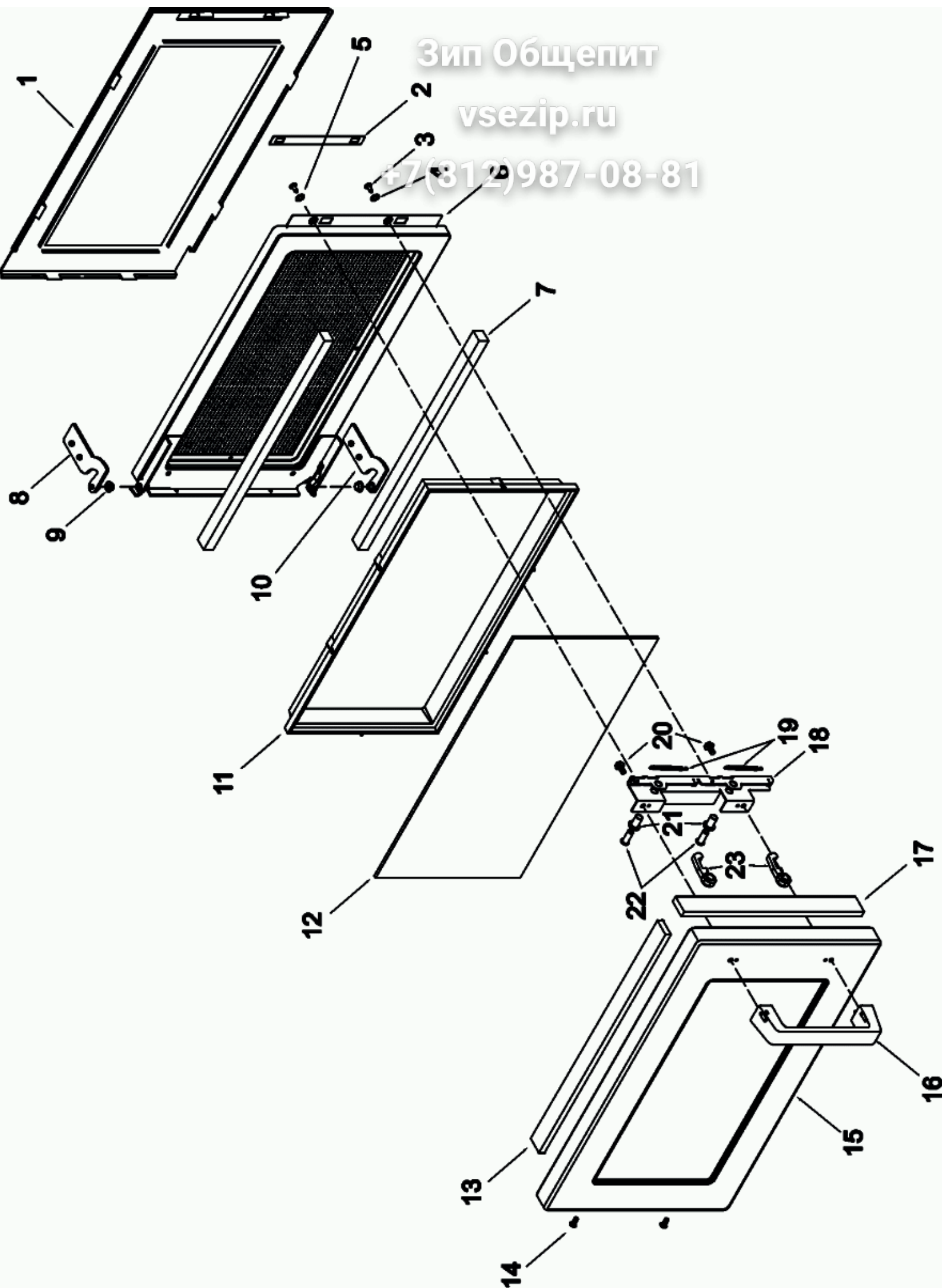


Зип Общепит

vsezip.ru

+7(812)987-08-81

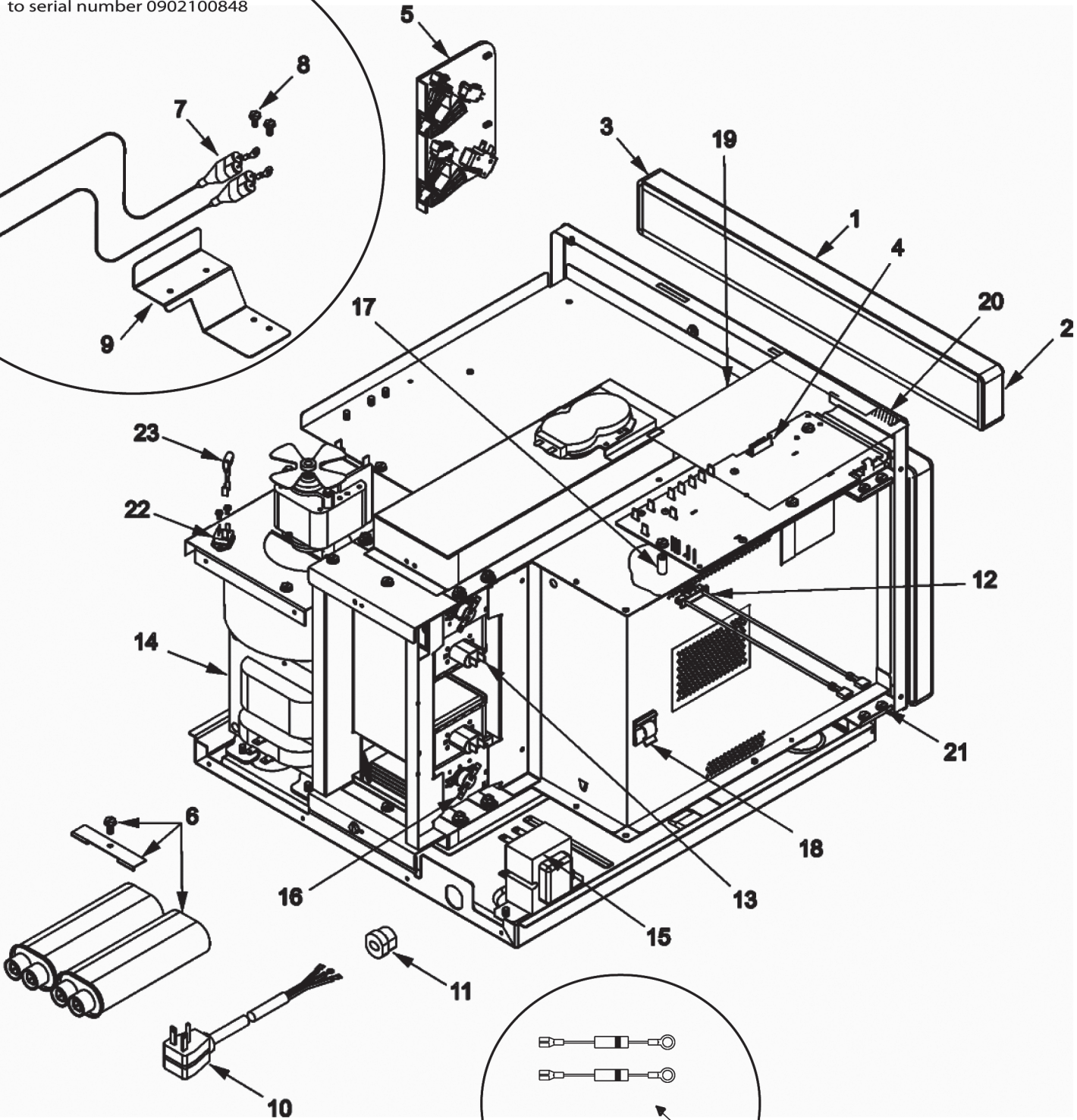
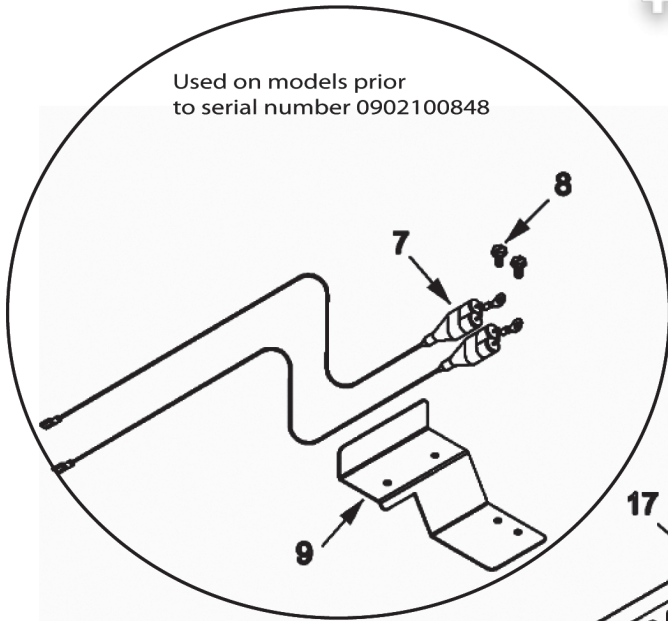


Зип Общепит

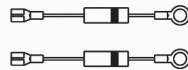
vsezip.ru

+7(812)987-08-81

Used on models prior
to serial number 0902100848



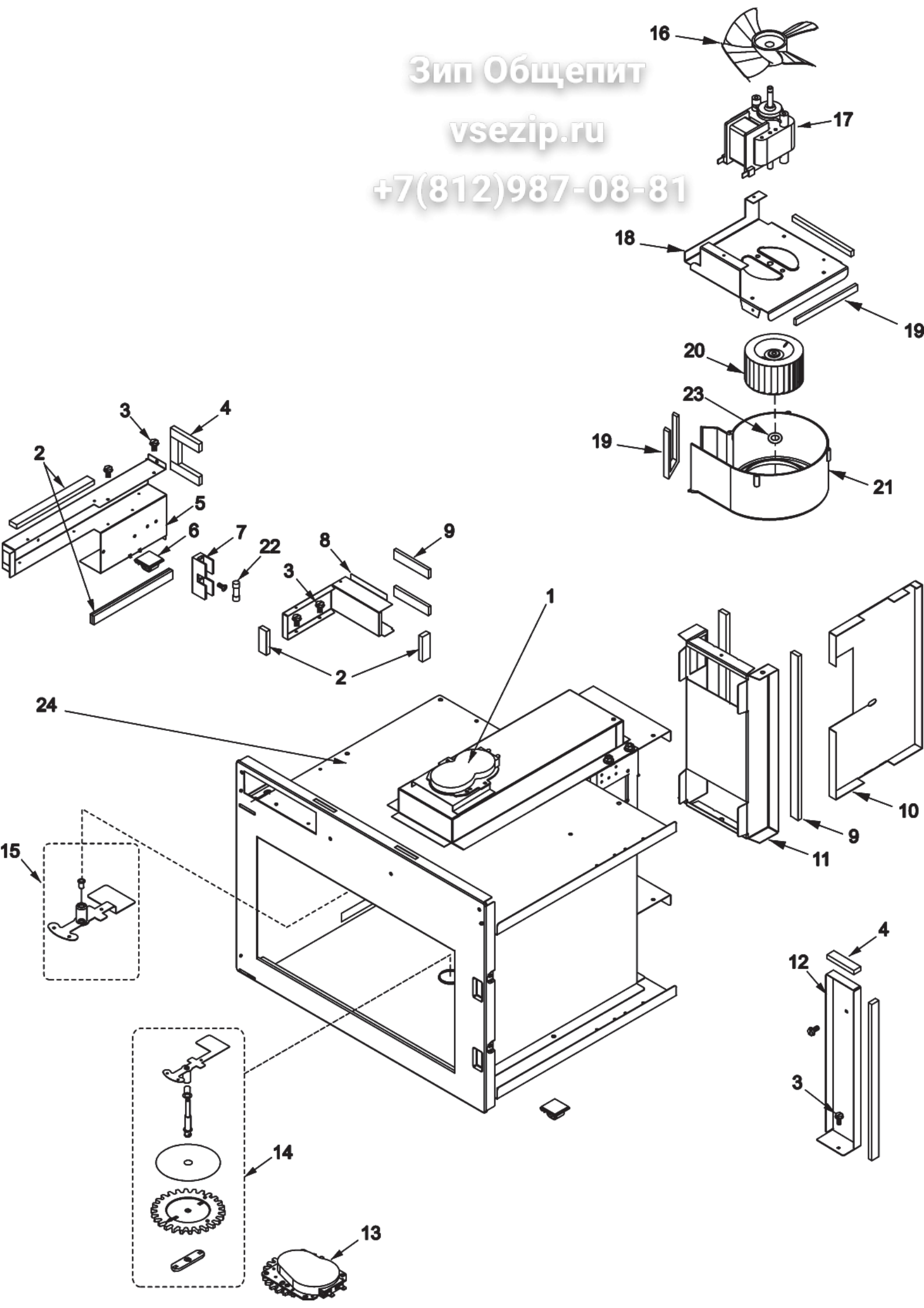
Used on models starting
at serial number 0902100848



Зип Общепит

vsezip.ru

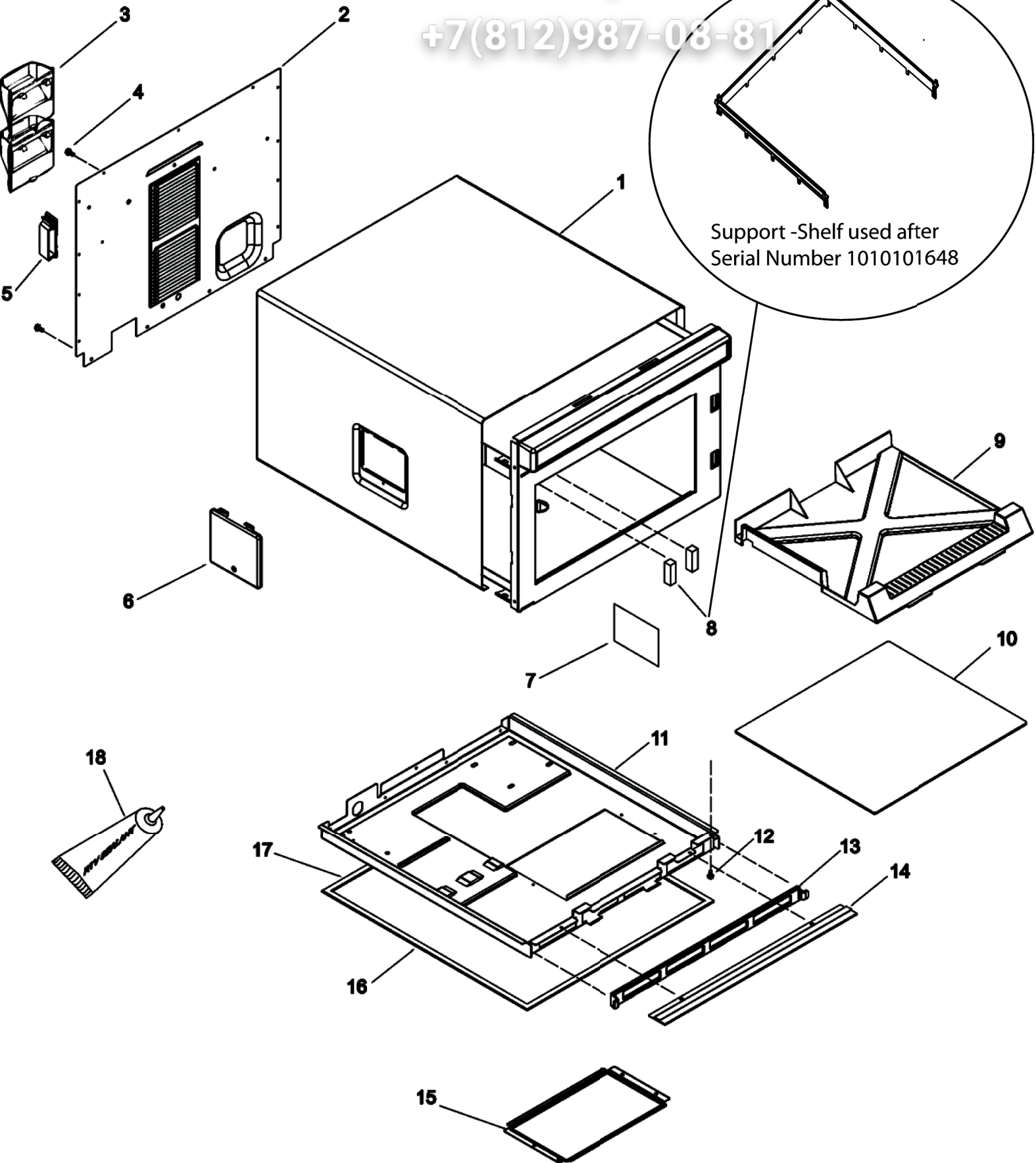
+7(812)987-08-81



Зип Ощепит

vsezip.ru

+7(812)987-08-81



Seite	Pos	Kredtor Artikel Nr.	GB
001	001	59004007	INNER DOOR ASSY
001	002	12526201	LINKAGE-DOOR LATCH
001	003	13047402	SCREW-TC/FLAT RoHS
001	004	M0274066	WASHER-NYLON
001	005	M0272513	WASHER
001	006	13098101	DOOR RING WELD
001	007	10966601	GASKET-NEOPRENE
001	008	12126805Q	TOP HINGE PLATE WELD
001	009	5210001001	WASHER-NYLON SHOULDER
001	010	12126806Q	BOTTOM HINGE PLATE WELD
001	011	R0150147	RETAINER, LENS
001	012	59001236	WINDOW, OUTER
001	013	12210804	ABSORBER-ENERGY
001	014	12990402	SCREW-SM/TRUSS TORX RoHS
001	015	R9900567	DOOR, OUTER
001	016	12133901	HANDLE-DOOR
001	017	12210803	ABSORBER-ENERGY
001	018	12114401	BRKT-DOOR LATCH WSH
001	019	C8893502	SPRING-DOOR LATCH
001	020	12992307	SCREW-TF/HEX RoHS
001	021	M0800501	SPACER
001	022	59002069	PIN, LATCH
001	023	12126901	LATCH-DOOR
002	001	59004020	TOUCH PANEL ASSY
002	002	12131001	ENDCAP-ESC RIGHT
002	003	12131002	ENDCAP-ESC LEFT
002	004	59114142	BOARD, HV/LV
002	005	59002060	INTERLOCK SWITCH ASSY
002	006	59001650	CAPACITOR- .82
002	007	R9800022	KIT, DIODE
002	007	13091701	DIODE
002	008	12991101	SCREW-SM/KNIFE RoHS
002	009	12529501	BRKT-DIODE
002	010	10098934	POWER CORD
002	011	M0370003	RELIEF-STRAIN
002	012	59001874	THERMAL CUTOUT, CAVITY
002	013	59004013	MAGNETRON
002	014	59004031	TRANSFORMER, HV
002	015	59001630	TRANSFORMER, AUTO
002	016	B5684121	THERMAL CUTOUT
002	017	M0308801	CAP-SCREW
002	018	M0104106	CLIP-CORD
002	019	12160602	SHIELD-SPILL
002	020	M0275163	TAPE-TRANSFER (ROLL)
002	021	13048901	SCREW-TF/HEX RoHS
002	022	R0157373	KIT, TRIAC
002	023	59002017	SNUBBER ASSY
002	024	R9900584	KIT, RECEPTACLE
002	025	59002146	LAMP
003	001	R0150197	KIT, ANTENNA MOTOR- TOP
003	002	M0275058	TAPE-FOAM (ROLL)
003	003	12990522	SCREW-SM/HEX RoHS
003	004	A3030302	GASKET
003	005	12135604	CAVITY EXH DUCT-E CT
003	006	M0104106	CLIP-CORD
003	007	10091101	BLOCK-FUSE
003	009	59002162	GASKET, PER FT
003	010	12905601	FLOW DIVIDER
003	011	12107407	DUCT, MAG OUTLET
003	012	12525701	BARRIER-AIR
003	013	R9900668	KIT, ANTENNA MOTOR- BOTTOM
003	014	R9900585	KIT, ANTENNA- BOTTOM
003	015	R0150185	KIT, ANTENNA- TOP
003	016	B5706704	BLADE, FAN
003	017	59004019	MOTOR, BLOWER
003	018	12271103	BRKT-BLOWER WSH
003	019	59002162	GASKET, PER FT
003	020	12138201	WHEEL, BLOWER
003	021	12138302	SCROLL, BLOWER

Зип-Общепит

vsezip.ru

+7(812)987-08-81

Seite	Pos	Kreditor Artikel Nr.	GB
003	022	M0805303	FUSE-20A
003	023	M0118901	CLIP
003	024	12002678	KIT, CAVITY- HDC18, 21
004	001	12408501Q	WRAPPER
004	002	12296804	ACCESS PANEL-E CT
004	003	12296601	DUCT-AIR
004	004	12990525	SCREW-SM/HEX RoHS
004	005	M0118705	NLA- CLIP-GUIDE
004	006	10785608	COVER-LIGHT
004	007	R9900114	KIT, WINDOW
004	008	14109044	KIT, TRAY SUPPORTS & SEALER
004	009	59004011	ANTENNA SHIELD
004	010	14109040	KIT, CERAMIC TRAY & SEALER
004	011	59002074	BASEPAN & GASKET ASSY
004	012	12991101	SCREW-SM/KNIFE RoHS
004	013	59001659	FILTER, AIR
004	014	12873701	TRIM, OC
004	015	12486002	BASE COVER-E CT
004	016	R0000413	GASKET, BASEPAN - 90 in (228 cm)
004	017	R0000413	GASKET, BASEPAN - 90 in (228 cm)
004	018	59002167	SEALER
		20026501	HARNESS, OVEN
		13017901	HARNESS- HI VOLT
		59002066	HARNESS, LW ANTENNA
		12155701	LABEL-MENU

Зип-Общепит

vsezip.ru

+7(812)987-08-81