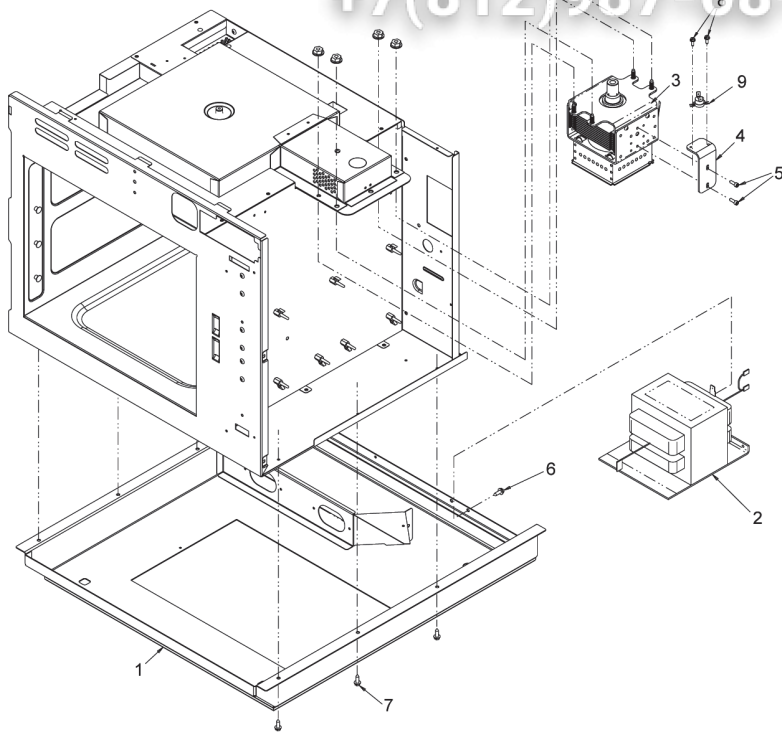


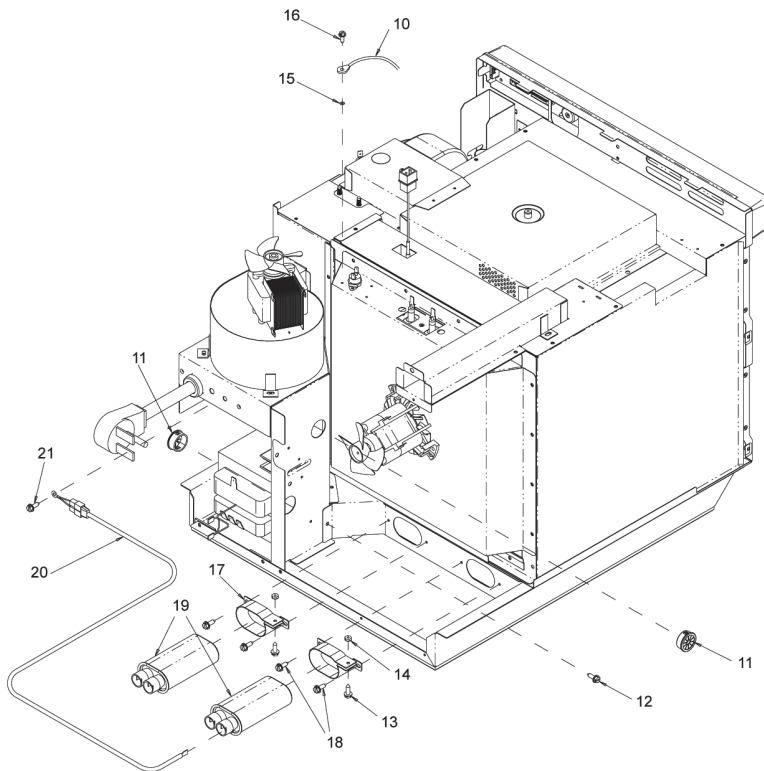
Зип Общепит

BASE / MAGNETRON TRANSFORMER

+7(812)987-08-81



PLUGS / CAPACITORS / DIODE ASSEMBLY

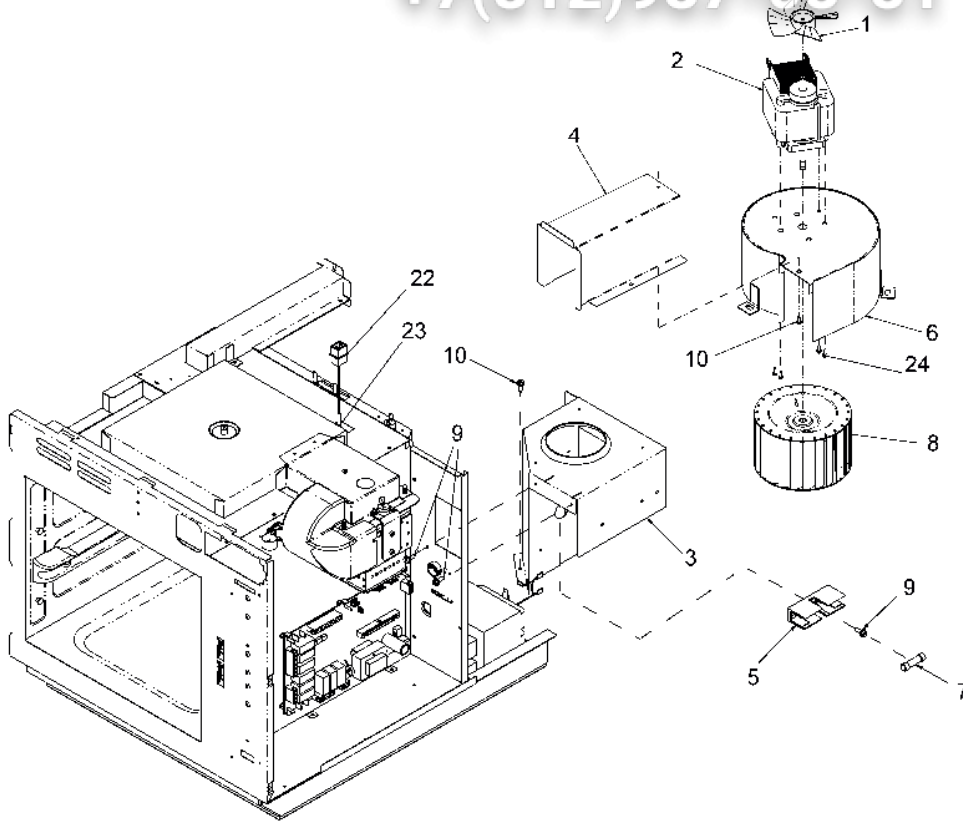


Зип Общепит

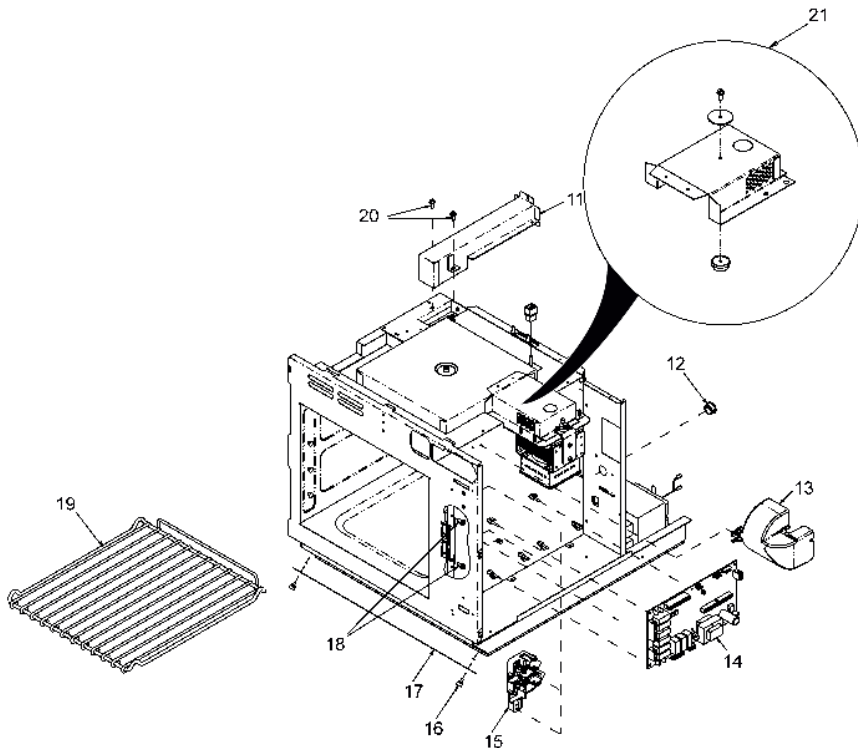
vsezip.ru

BLOWER MOTOR / FUSE BLOCK

+7(812)987-08-81



HV BOARD / INTERLOCK

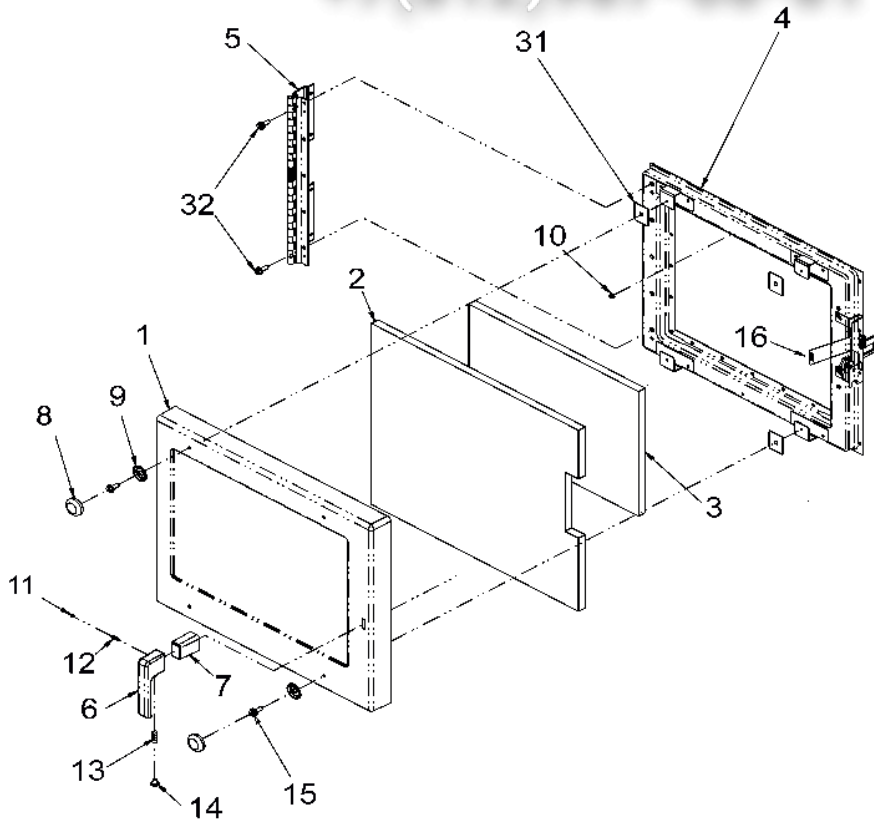


Зип Общепит

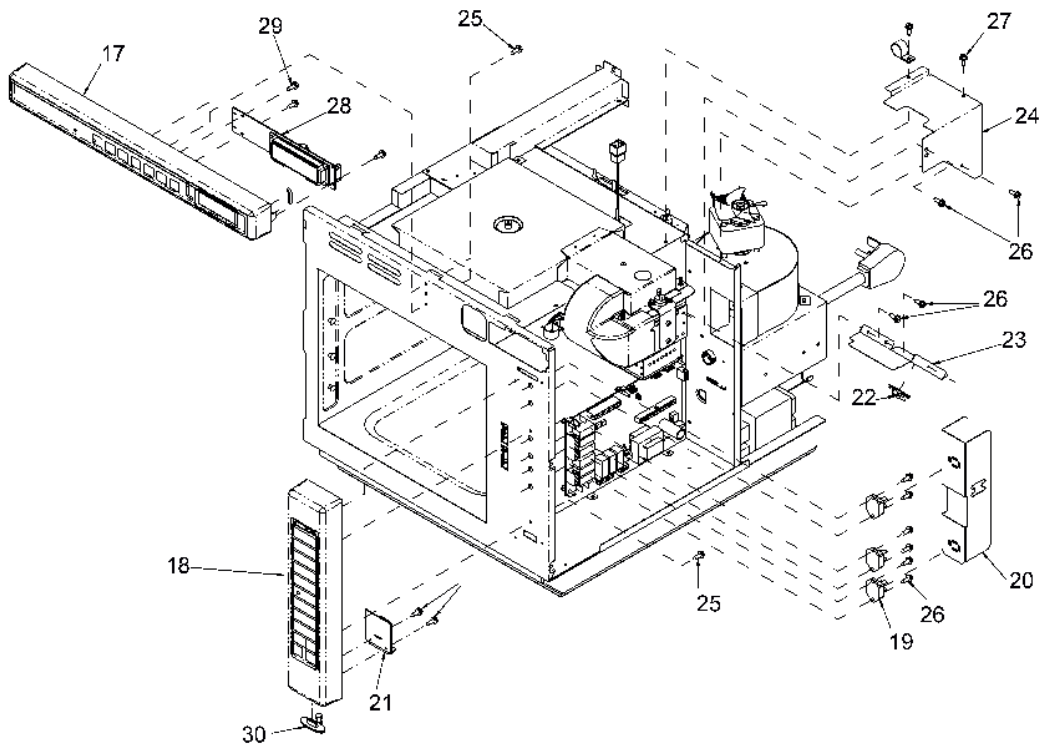
vsezip.ru

DOOR / DOOR HANDLE

+7(812)987-08-81



UPPER & LOWER SWITCH / TRIAC / DISPLAY BOARD

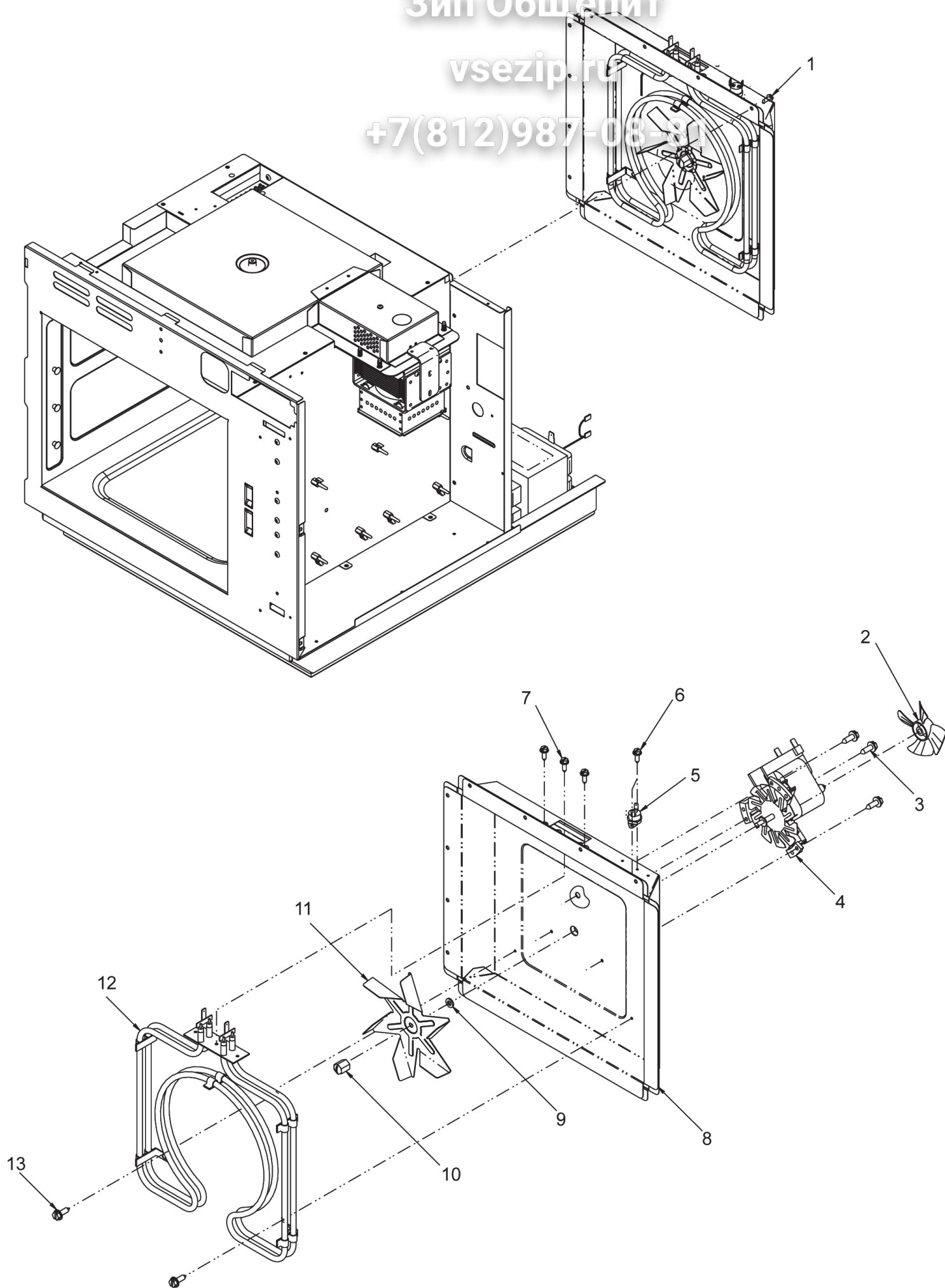


HEATER BOX / CONVECTION MOTOR

Зип Общепит

vsezip.ru

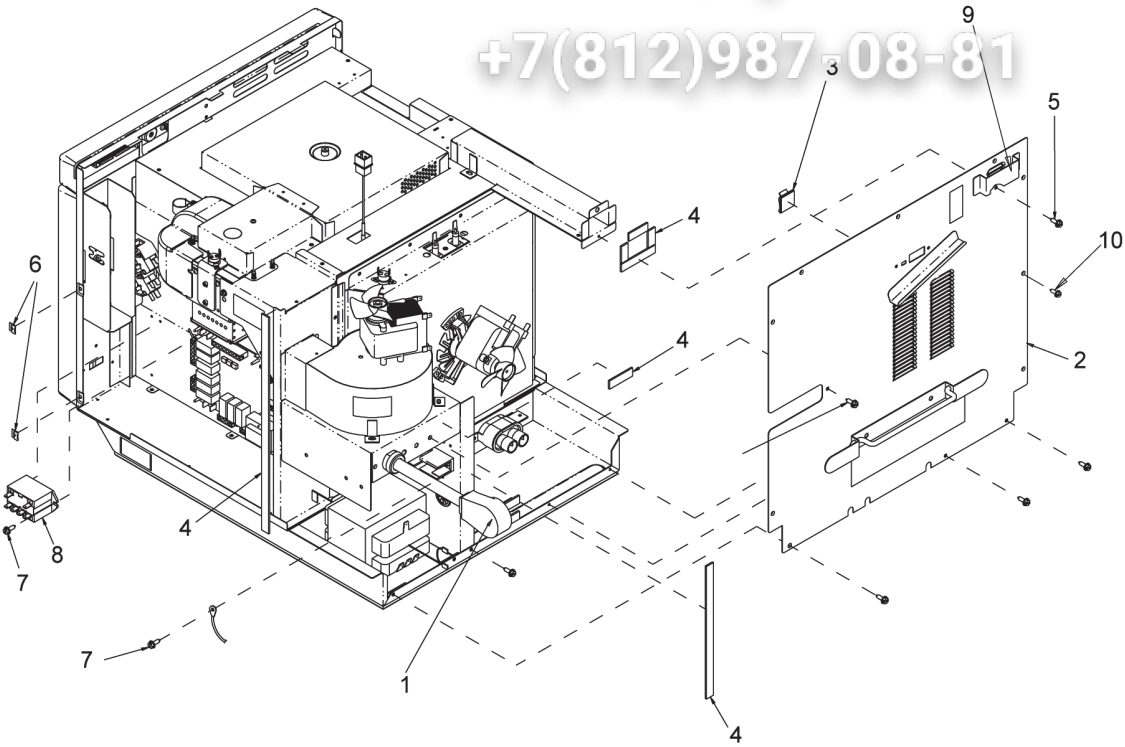
+7(812)987-08-81



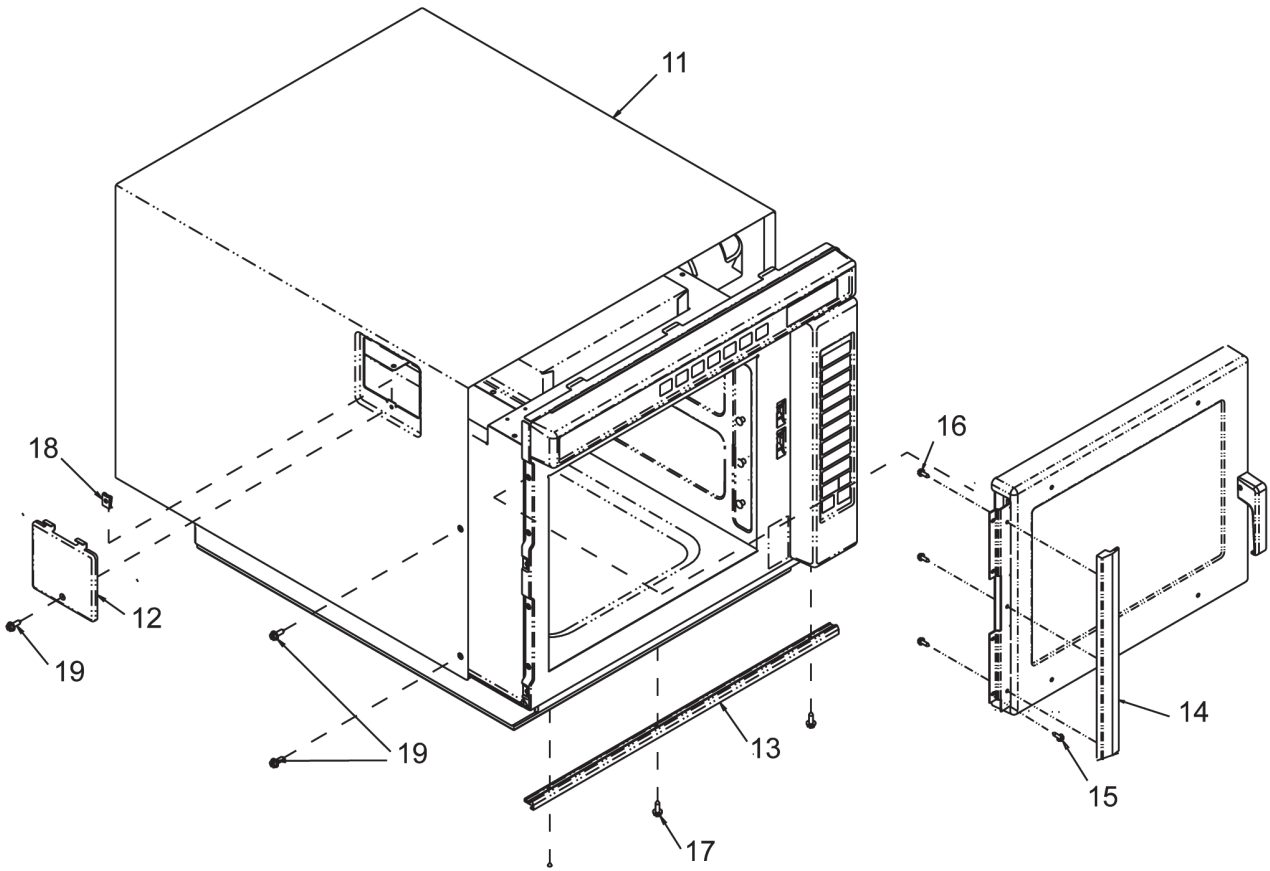
Зип Общепит

REAR PANEL / POWER CORD / POWER RELAY

+7(812)987-08-81



OUTERCASE / HINGE COVER

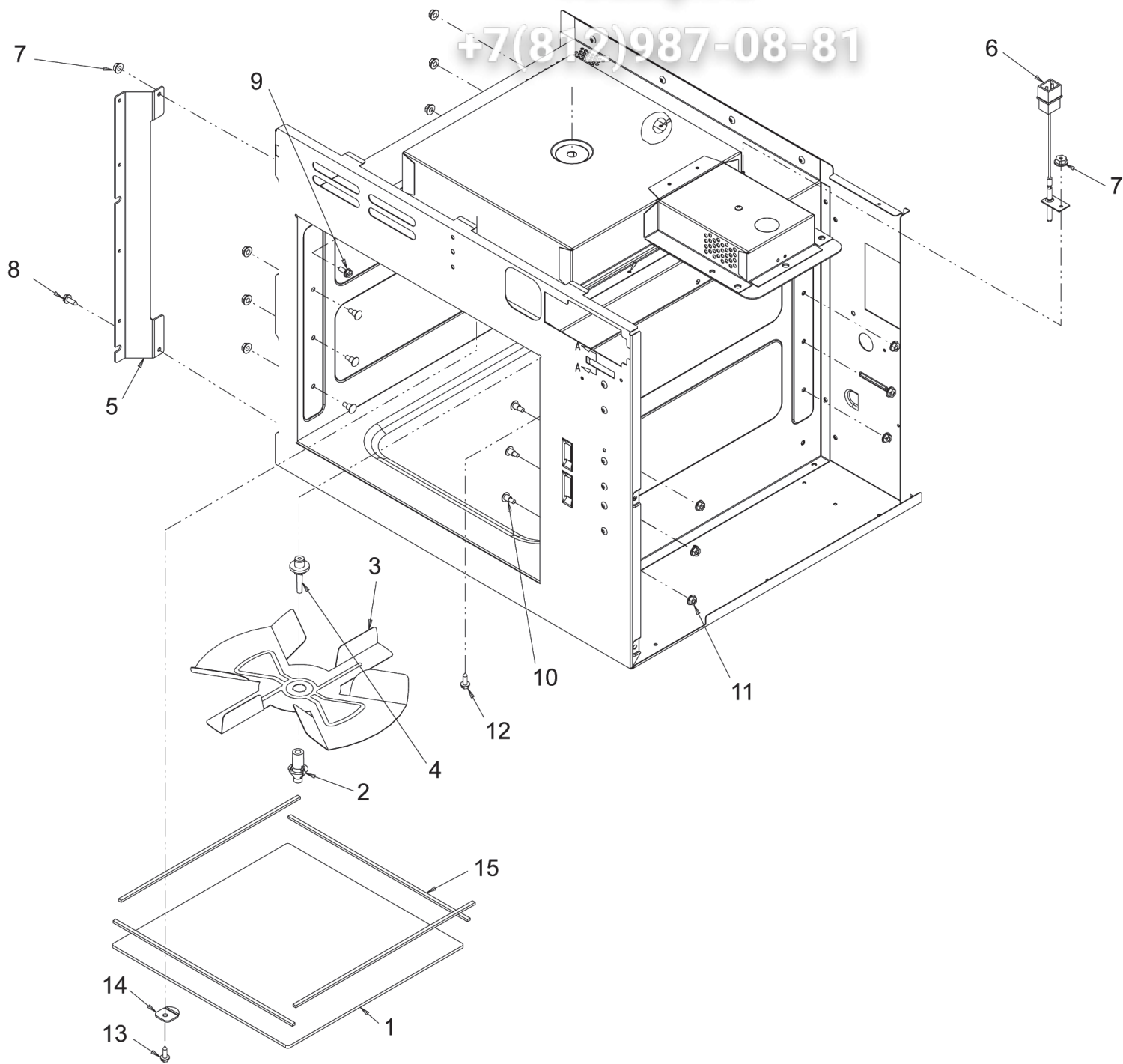


STIRRER SYSTEM / OVEN TRAY

Зип Общепит

vsezip.ru

+7(812)987-08-81



Seite	Pos	Kreditor Artikel Nr.	GB
001	001	59002096	BASEPAN ASSY, ACE14
001	002	59002086	TRANSFORMER, HV
001	003	59002081	MAGNETRON
001	004	13080901	BRKT - TCO MTG
001	005	M0229916	SCREW-TC
001	006	12990526	SCREW-SM/HEX RoHS
001	007	12991605	SCREW
001	008	13041602	SCREW
001	009	B5684121	THERMAL CUTOUT
001	010	13091101	HARNESS, J7/J8 CONNECTOR & WIRES
001	011	M0571003	BUSHING-SNAP
001	012	12990526	SCREW-SM/HEX RoHS
001	013	59002047	SCREW, TF/HEX ROHS
001	014	13045501	NUT-#6 KEPS
001	015	13093314	WASHER 6 LOCK
001	016	13042201	SCREW
001	017	13069001	BRKT- CAPACITOR
001	018	12992305	SCREW-TF/HEX RoHS
001	019	59001159	CAPACITOR- .65
001	020	R9800022	KIT, DIODE
001	021	12990524	SCREW-SM/HEX RoHS
002	000	13091201	HARNESS, J2/J4 CONNECTOR & WIRES
002	001	B5706704	BLADE, FAN
002	002	59004030	MOTOR, BLOWER
002	003	12000815	BLOWER BRKT
002	004	10977801	TRANSITION-BLOWER
002	005	10091101	BLOCK-FUSE
002	006	10797203	SCROLL WELD
002	007	M0805205	FUSE-30A
002	008	C3670809	WHEEL-BLOWER
002	009	12990522	SCREW-SM/HEX RoHS
002	010	12990526	SCREW-SM/HEX RoHS
002	011	12002901	FLUE DUCT WELD
002	012	M0571001	BUSHING-SNAP
002	013	12018102	DUCT-MAG/WVGD
002	014	59004066	BOARD, HV
002	015	12002636	KIT, INTERLOCK SWITCH
002	016	13042901	SCREW-THUMB RoHS
002	017	10853102	GRILLE-AIR INLET
002	018	12876603	SCREW
002	019	RA14	ACE RACK ACCESSORY
002	020	12990526	SCREW-SM/HEX RoHS
002	021	14090020	KIT, TUNING STUB - ACE
002	022	12000202	SENSOR-TEMP
002	023	13045501	NUT-#6 KEPS
002	024	12992305	SCREW-TF/HEX RoHS
003	001	59001511	DOOR, OUTER
003	002	59001720	INSULATION, DOOR- LARGE
003	003	59001719	INSULATION, DOOR- SMALL
003	004	12002760	KIT, INNER DOOR W/LATCH & CAPS
003	005	59001869	HINGE, DOOR
003	006	12490902	HANDLE-DOOR
003	007	12576901	INSERT-HANDLE
003	008	M0295503	CAP - SCREW
003	009	M0295502	WASHER-CAP SCREW
003	010	M0282007	NUT
003	011	12360703	PLUG-HOLE
003	012	13046902	SCREW-SET/CONE RoHS
003	013	13047001	SCREW-SET/DOG RoHS
003	014	59002165	PLUG BUTTON WHITE
003	015	13042701	SCREW-TC/HOLT RoHS
003	016	C8893505	SPRING- DOOR LATCH
003	017	59002100	TOUCH PANEL ASSY - TOP
003	018	59002098	TOUCH PANEL SIDE
003	019	59002026	TRIAC (40A)
003	020	12210101	SHIELD-TRIAC
003	021	59002095	BOARD,DATA KEY
003	022	M0104106	CLIP-CORD
003	023	10978601	DUCT-BLOWER/MAG

Зип-Общепит

vsezip.ru

+7(812)987-08-81

Seite	Pos	Kredtor Artikel Nr.	GB
003	024	10978703	COVER - MAG INLET
003	025	59002047	SCREW, TF/HEX ROHS
003	026	12990526	SCREW-SM/HEX RoHS
003	027	12990522	SCREW-SM/HEX RoHS
003	028	59002084	BOARD, DISPLAY
003	029	13042002	SCREW-TF/OVAL RoHS
003	030	13080601	PLUG, DATA KEY
003	031	12529302	SPACER - THERMAL
003	032	12990527	SCREW-SM/HEX RoHS
004	001	12990511	SCREW
004	002	B5706707	BLADE, FAN
004	003	12992307	SCREW-TF/HEX RoHS
004	004	14090018	KIT, CONVECTION MOTOR - 60 HZ
004	005	31866P01	CUTOUT-THERMAL
004	006	13041602	SCREW
004	007	12990606	SCREW-SM/PAN RoHS
004	008	12020003	HEATER BOX WELD
004	009	12546101	WASHER
004	010	12538001	NUT-CAP
004	011	12537901	BLADE, FAN
004	012	59004076	HEATER
004	013	13041801	SCREW-TC/PAN RoHS
005	001	59002112	POWER CORD
005	002	12002804	ACCESS PAN WLD-E CT
005	003	M0104106	CLIP-CORD
005	004	59004077	GASKET, PER FT
005	005	12990526	SCREW-SM/HEX RoHS
005	006	M0287016	NUT, SPEED
005	007	12990524	SCREW-SM/HEX RoHS
005	008	59001981	RELAY
005	009	12470201	COVER-VENT
005	010	12990525	SCREW-SM/HEX RoHS
005	011	10908901Q	WRAPPER- STAINLESS
005	012	10785608	COVER-LIGHT
005	013	10909005	TRIM-OC
005	014	59001230	COVER, HINGE- GRAY
005	015	12990527	SCREW-SM/HEX RoHS
005	016	13004401	SCREW -TF/FLAT RoHS
005	017	13042002	SCREW-TF/OVAL RoHS
005	018	M0288215	NUT-SPEED
005	019	13042001	SCREW-TF/OVAL RoHS
006	001	R0150115	COVER, STIRRER
006	002	R0130737	KIT, STIRRER BLADE
006	003	10825904Q	BLADE, STIRRER
006	004	12004401	SHAFT-STIRRER
006	005	12189004	BRKT-HINGE SUPPORT
006	006	12000202	SENSOR-TEMP
006	007	13045501	NUT-#6 KEPS
006	008	59002047	SCREW, TF/HEX ROHS
006	009	M0202557	SCREW-MACH
006	010	13079102	SCREW-MACH/SHLD
006	011	M0282007	NUT
006	012	59002047	SCREW, TF/HEX ROHS
006	013	M0213802	SCREW-SM
006	014	12188901	RETAINER-TRAY
006	015	12019002	GASKET

Зип-Общепит

vsezip.ru

+7(812)987-08-81

WIRING INFORMATION

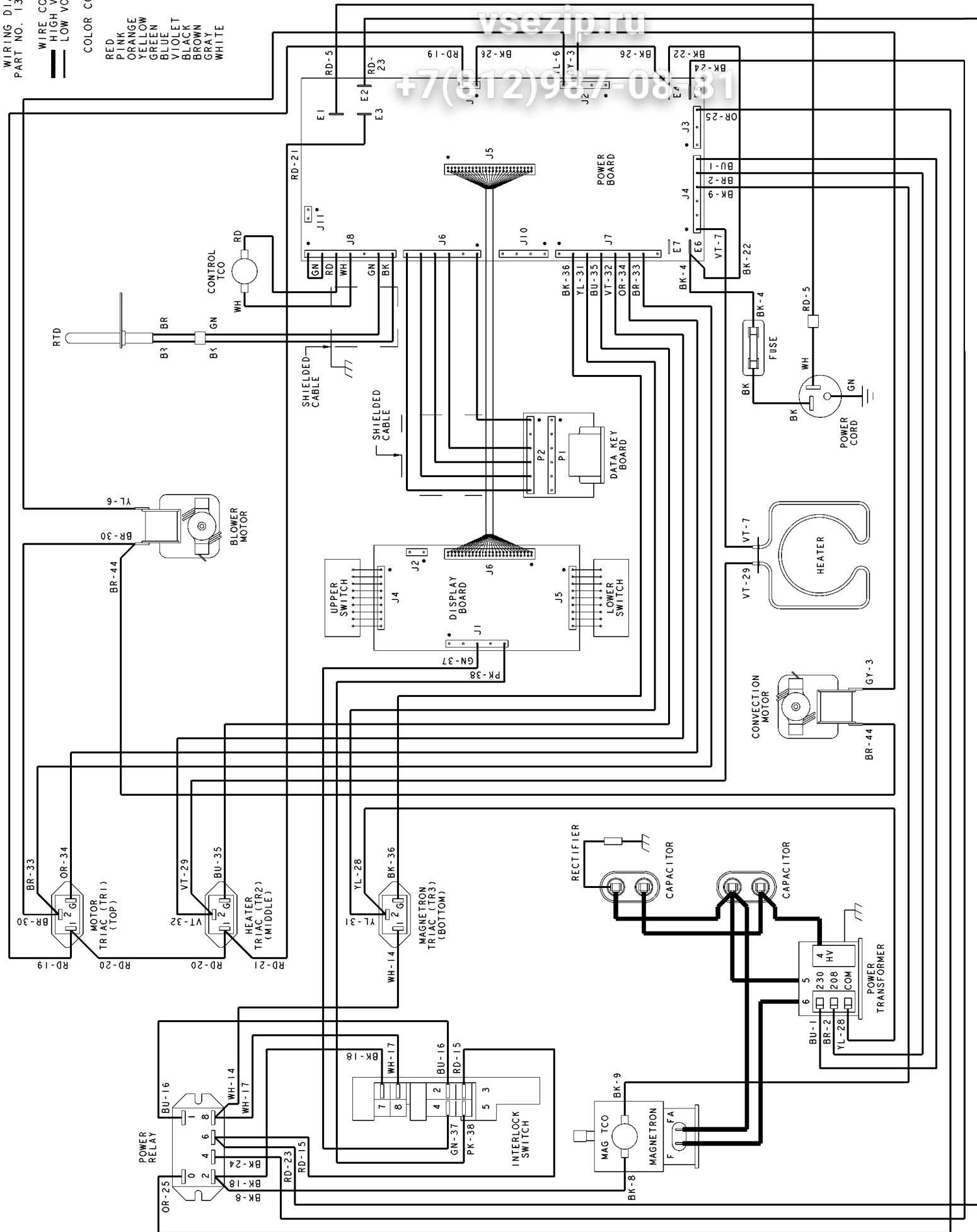
Зип Общепит

vsezip.ru

+7(812)987-08181

WIRING DIAGRAM
PART NO. 13070104

- WIRE CODE
 HIGH VOLTAGE
 LOW VOLTAGE
- COLOR CODE
- | | |
|----|--------|
| RD | RED |
| PK | PINK |
| OR | ORANGE |
| YL | YELLOW |
| GN | GREEN |
| BU | BLUE |
| VT | VIOLET |
| BK | BLACK |
| BR | BROWN |
| GY | GRAY |
| WH | WHITE |



WIRING INFORMATION

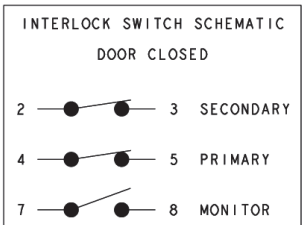
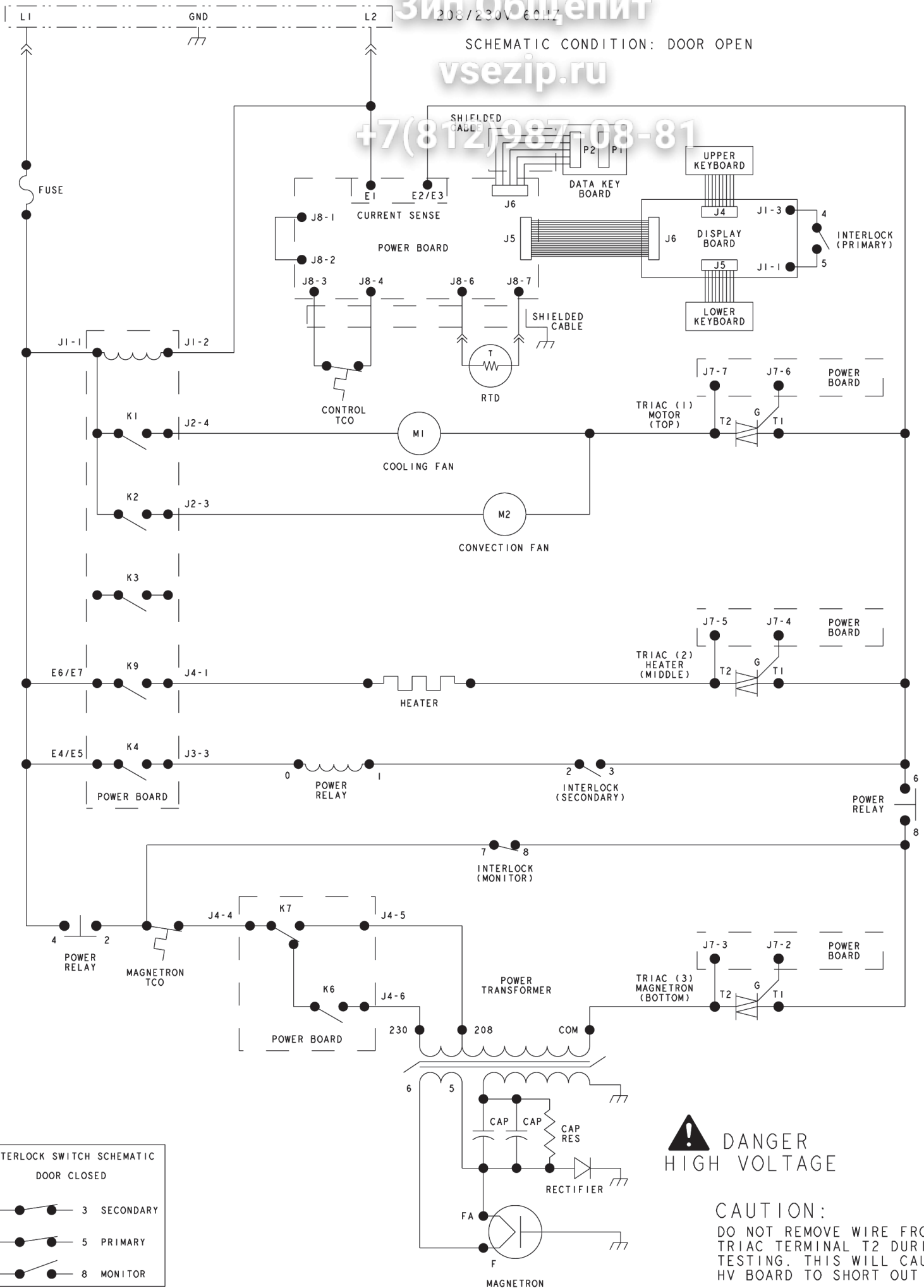
Зип Общепит

208/230V 60Hz

SCHEMATIC CONDITION: DOOR OPEN

vsezip.ru

+7(812)987-08-81



! DANGER
HIGH VOLTAGE

CAUTION:
DO NOT REMOVE WIRE FROM
TRIAC TERMINAL T2 DURING
TESTING. THIS WILL CAUSE
HV BOARD TO SHORT OUT