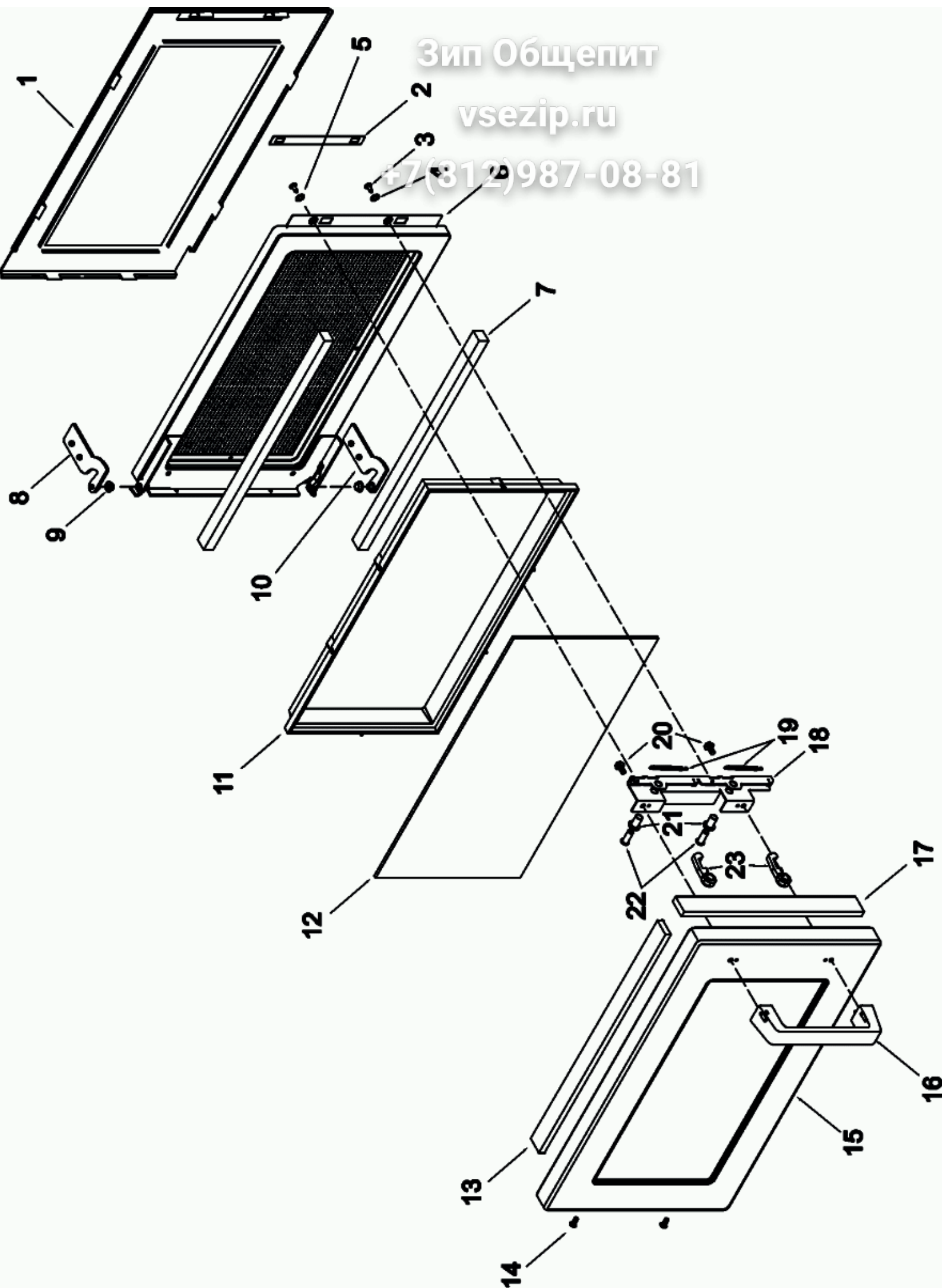


Зип Общепит

vsezip.ru

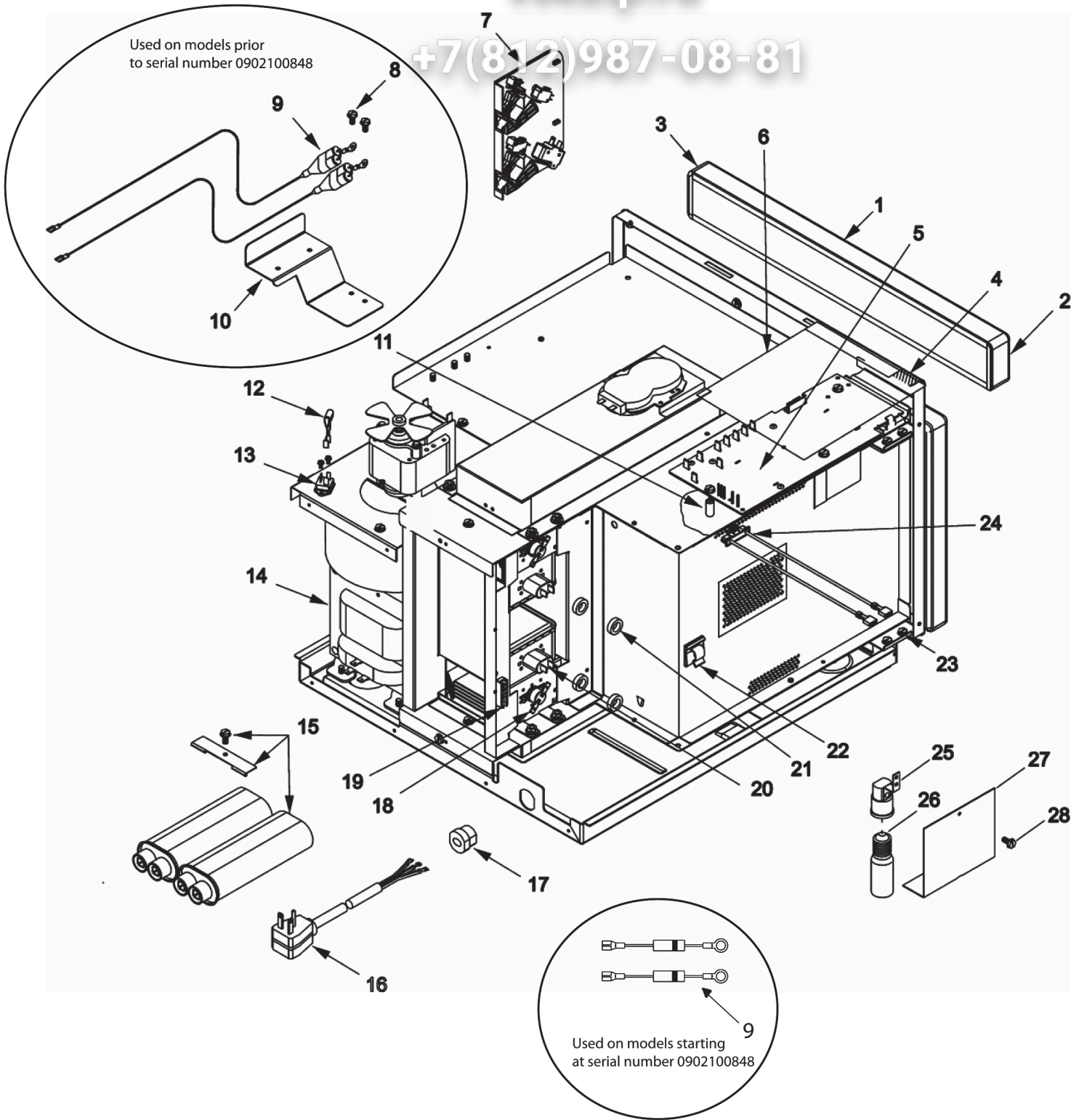
+7(812)987-08-81



Зип Общепит

vsezip.ru

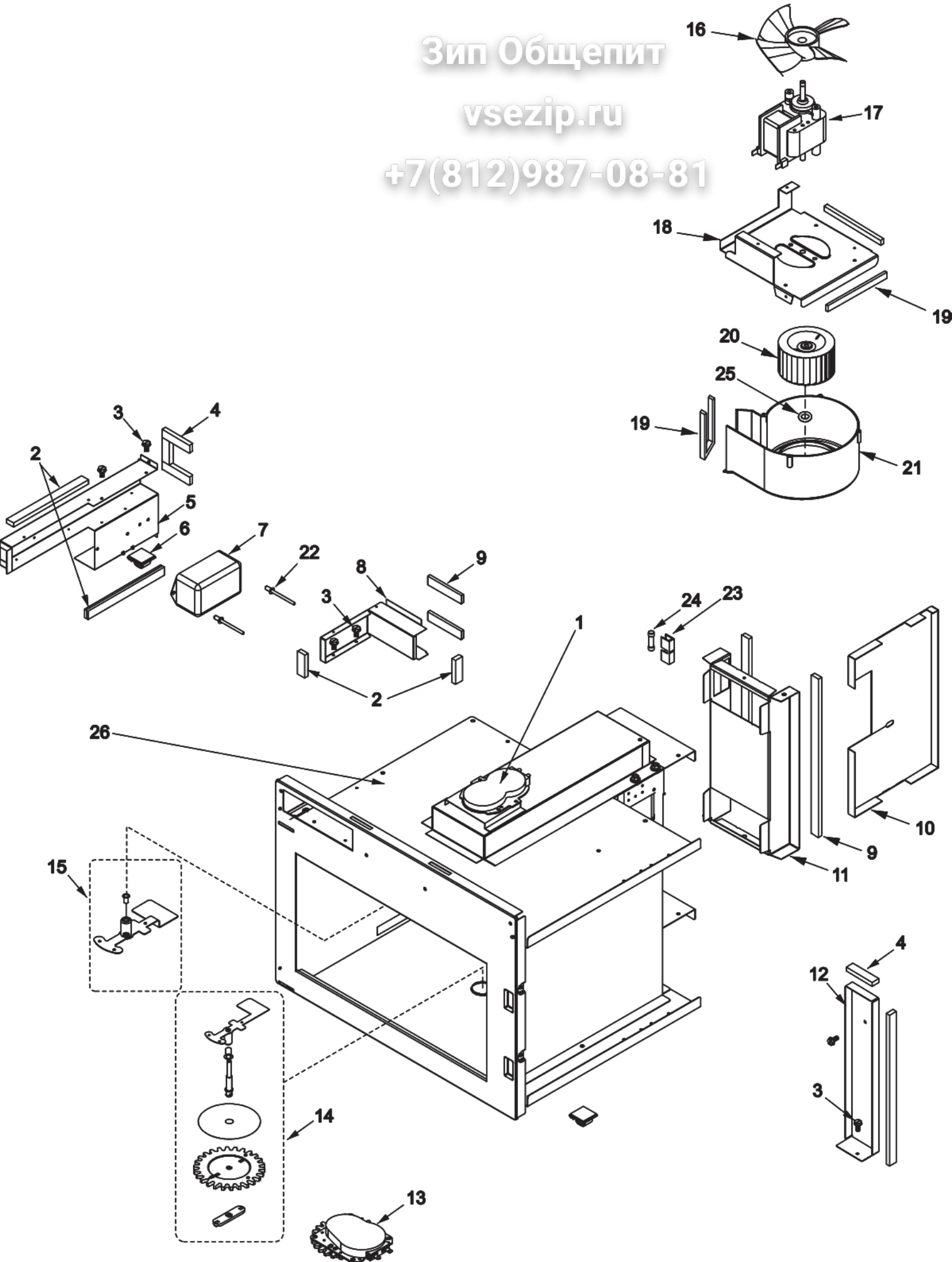
+7(812)987-08-81



Зип Общепит

vsezip.ru

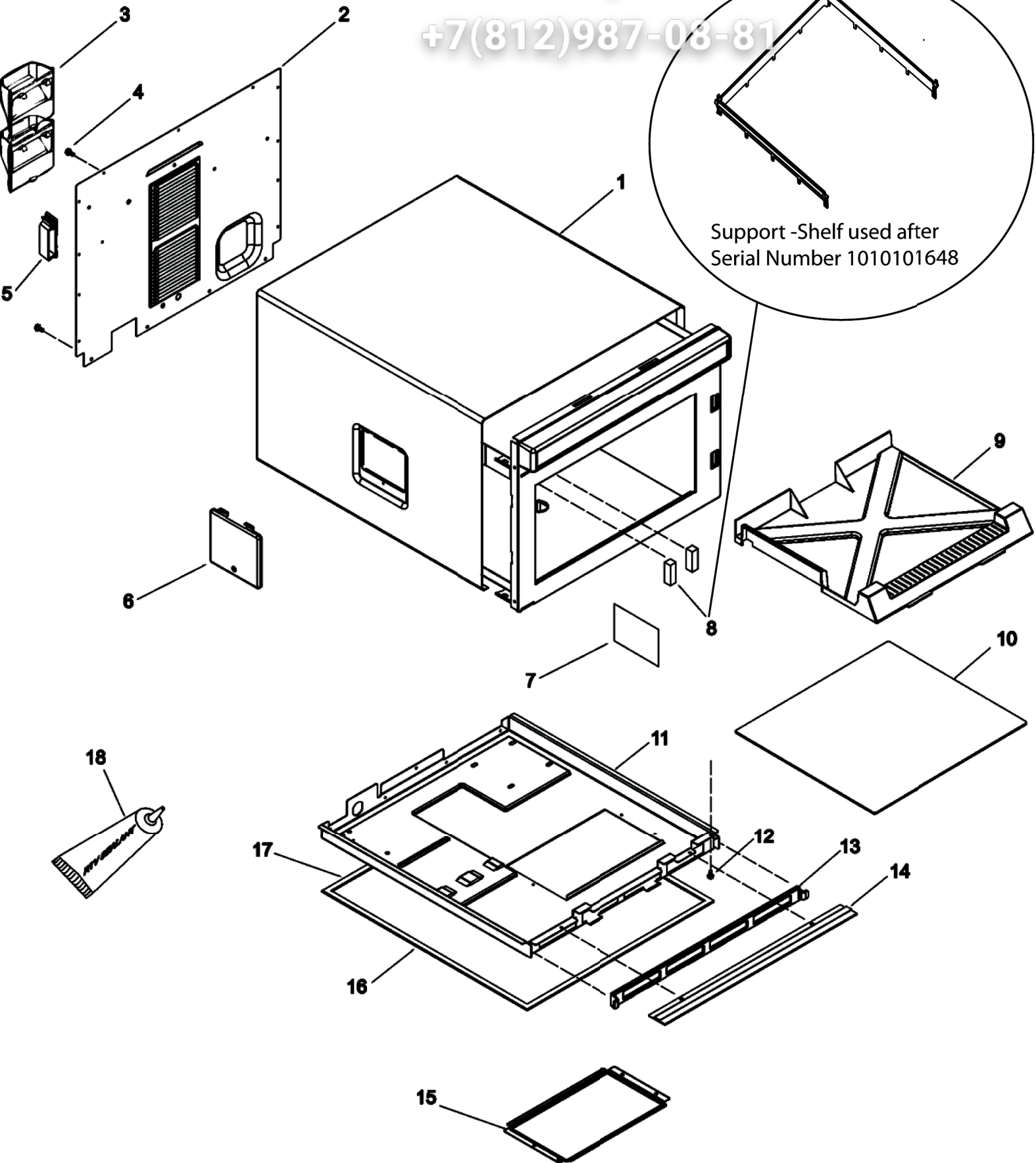
+7(812)987-08-81



Зип Ощепит

vsezip.ru

+7(812)987-08-81



Seite	Pos	Kreditor Artikel Nr.	GB
001	001	R0150148	INNER DOOR ASSY
001	002	12526201	LINKAGE-DOOR LATCH
001	003	13047402	SCREW-TC/FLAT RoHS
001	004	M0274066	WASHER-NYLON
001	005	M0272503	WASHER, #6 LOCK
001	006	12472202	DOOR RING WELD-E CT
001	007	10966601	GASKET-NEOPRENE
001	008	12126805	TOP HINGE PLATE WELD
001	009	5210001001	WASHER-NYLON SHOULDER
001	010	12126806	BOTTOM HINGE PLATE WELD
001	011	R0150147	RETAINER, LENS
001	012	12133801	WINDOW-DOOR
001	013	12210803	ABSORBER-ENERGY
001	014	12990402	SCREW-SM/TRUSS TORX RoHS
001	015	59104140	DOOR, OUTER
001	016	12133901	HANDLE-DOOR
001	017	12210804	ABSORBER-ENERGY
001	018	12114401	BRKT-DOOR LATCH WSH
001	019	C8893502	SPRING-DOOR LATCH
001	020	12992307	SCREW-TF/HEX RoHS
001	021	M0800501	SPACER
001	022	59002069	PIN, LATCH
001	023	12126901	LATCH-DOOR
002	001	12990523	SCREW-SM/HEX RoHS
002	001	R0000244	TOUCH PANEL ASSY
002	002	12131001	ENDCAP-ESC RIGHT
002	003	12131002	ENDCAP-ESC LEFT
002	004	M0275163	TAPE-TRANSFER (ROLL)
002	005	12991607	SCREW-TC/HEX RoHS
002	005	59002070	BOARD, HV/LV
002	006	12160602	SHIELD-SPILL
002	007	59002060	INTERLOCK SWITCH ASSY
002	007	12993002	SCREW-HI LO/PAN RoHS
002	008	12990522	SCREW-SM/HEX RoHS
002	009	R9800022	KIT, DIODE
002	009	13091701	DIODE
002	010	12529501	BRKT-DIODE
002	010	12990522	SCREW-SM/HEX RoHS
002	011	M0308801	CAP-SCREW
002	012	59002017	SNUBBER ASSY
002	013	12990523	SCREW-SM/HEX RoHS
002	013	R0157373	KIT, TRIAC
002	014	59001993	TRANSFORMER, HV
002	014	12991606	SCREW-TC/HEX RoHS
002	015	59001159	CAPACITOR- .65
002	015	12990522	SCREW-SM/HEX RoHS
002	015	12132501	STRAP-CAPACITOR
002	016	59002001	POWER CORD
002	017	M0370009	RELIEF-STRAIN
002	018	B5684129	THERMAL CUTOUT
002	018	12991607	SCREW-TC/HEX RoHS
002	018	B8380601	PLATE-TC MTG
002	019	12990606	SCREW-SM/PAN RoHS
002	019	B5677203	BLOCK-TERMINAL
002	020	D7831007	MAGNETRON-2M229K
002	021	44780P01	TOROID
002	022	M0104106	CLIP-CORD
002	023	13048901	SCREW-TF/HEX RoHS
002	024	59001874	THERMAL CUTOUT, CAVITY
002	024	13041801	SCREW-TC/PAN RoHS
002	025	12163802	RECEPTACLE-EXPORT
002	026	59002071	LAMP
002	027	12544201	BARRIER-LAMP
002	028	12992307	SCREW-TF/HEX RoHS
003	001	R0150197	KIT, ANTENNA MOTOR- TOP
003	002	A3030330	GASKET, PER FT
003	003	12990522	SCREW-SM/HEX RoHS
003	004	A3030330	GASKET, PER FT
003	005	12135604	CAVITY EXH DUCT-E CT

Зип-Общепит

vsezip.ru

+7(812)987-08-81

Seite	Pos	Kreditor Artikel Nr.	GB
003	006	M0104106	CLIP-CORD
003	007	59001893	FILTER, LINE
003	008	12135704	DUCT, CAVITY EXHAUST
003	009	10839706	GASKET (PER FOOT)
003	010	59002000	FLOW DIVIDER
003	011	59001558	DUCT, MAG OUTLET
003	012	12525701	BARRIER-AIR
003	013	R9900668	KIT, ANTENNA MOTOR- BOTTOM
003	014	R9900585	KIT, ANTENNA- BOTTOM
003	015	R0150185	KIT, ANTENNA- TOP
003	016	B5706704	BLADE, FAN
003	017	12138105	MOTOR, BLOWER
003	018	12271103	BRKT-BLOWER WSH
003	019	A3030330	GASKET, PER FT
003	020	12138201	WHEEL, BLOWER
003	021	12138302	SCROLL, BLOWER
003	022	A4539638	RIVET-POP RoHS
003	023	12990606	SCREW-SM/PAN RoHS
003	023	10091101	BLOCK-FUSE
003	024	M0805203	FUSE-20A
003	025	M0118901	CLIP
003	026	12002678	KIT, CAVITY- HDC18, 21
004	001	12408501	WRAPPER-OC
004	002	12296804	ACCESS PANEL-E CT
004	003	12296601	DUCT-AIR
004	004	12990525	SCREW-SM/HEX RoHS
004	005	M0118705	NLA- CLIP-GUIDE
004	006	10785608	COVER-LIGHT
004	006	13042002	SCREW-TF/OVAL RoHS
004	006	M0274072	NLA- SPACER-RUBBER
004	007	R9900114	KIT, WINDOW
004	008	12496801	SUPPORT-SHELF
004	009	12126601	ANTENNA SHIELD
004	010	R0150144	KIT, CERAMIC TRAY W/SEALER
004	011	59002074	BASEPAN & GASKET ASSY
004	012	12990524	SCREW-SM/HEX RoHS
004	013	59001659	FILTER, AIR
004	014	12991101	SCREW-SM/KNIFE RoHS
004	014	59002068	TRIM
004	015	12990522	SCREW-SM/HEX RoHS
004	015	12486002	BASE COVER-E CT
004	016	59001643	GASKET, BASEPAN- CUT
004	017	59001642	GASKET, BASEPAN- CUT
004	018	M0275598	SEALER
		13018101	HARNESS-OVEN
		59002065	HARNESS, HV
		59002066	HARNESS, LW ANTENNA

Зип-Общепит

vsezip.ru

+7(812)987-08-81

230V 50HZ
3-WIRE

SCHEMATIC
CONDITION:
DOOR OPEN

INTERLOCK SWITCH
SCHEMATIC

DOOR CLOSED

