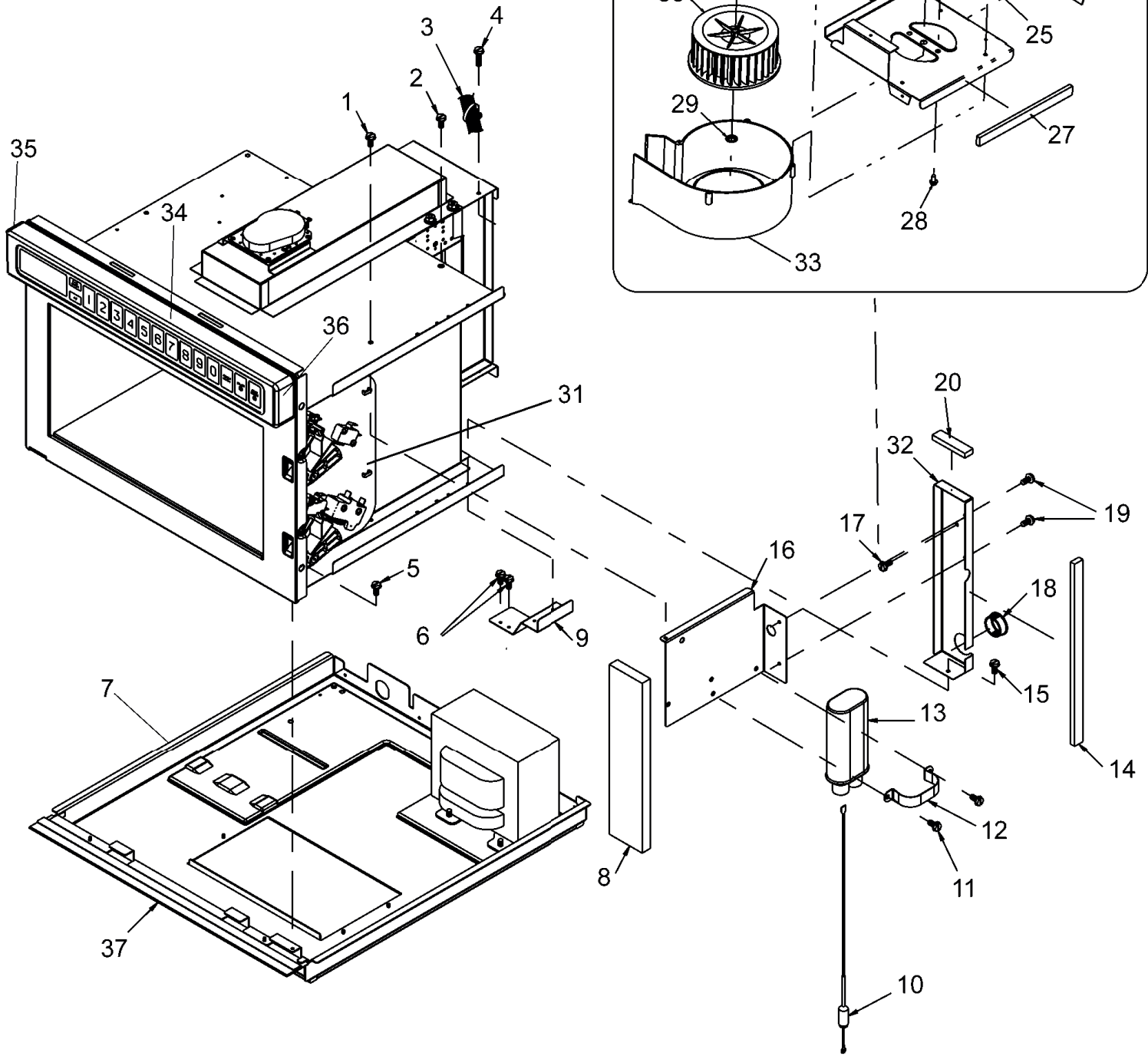


BLOWER, CAPACITOR, DIODE, INTERLOCK

Вот Обозначения

vsezip.ru

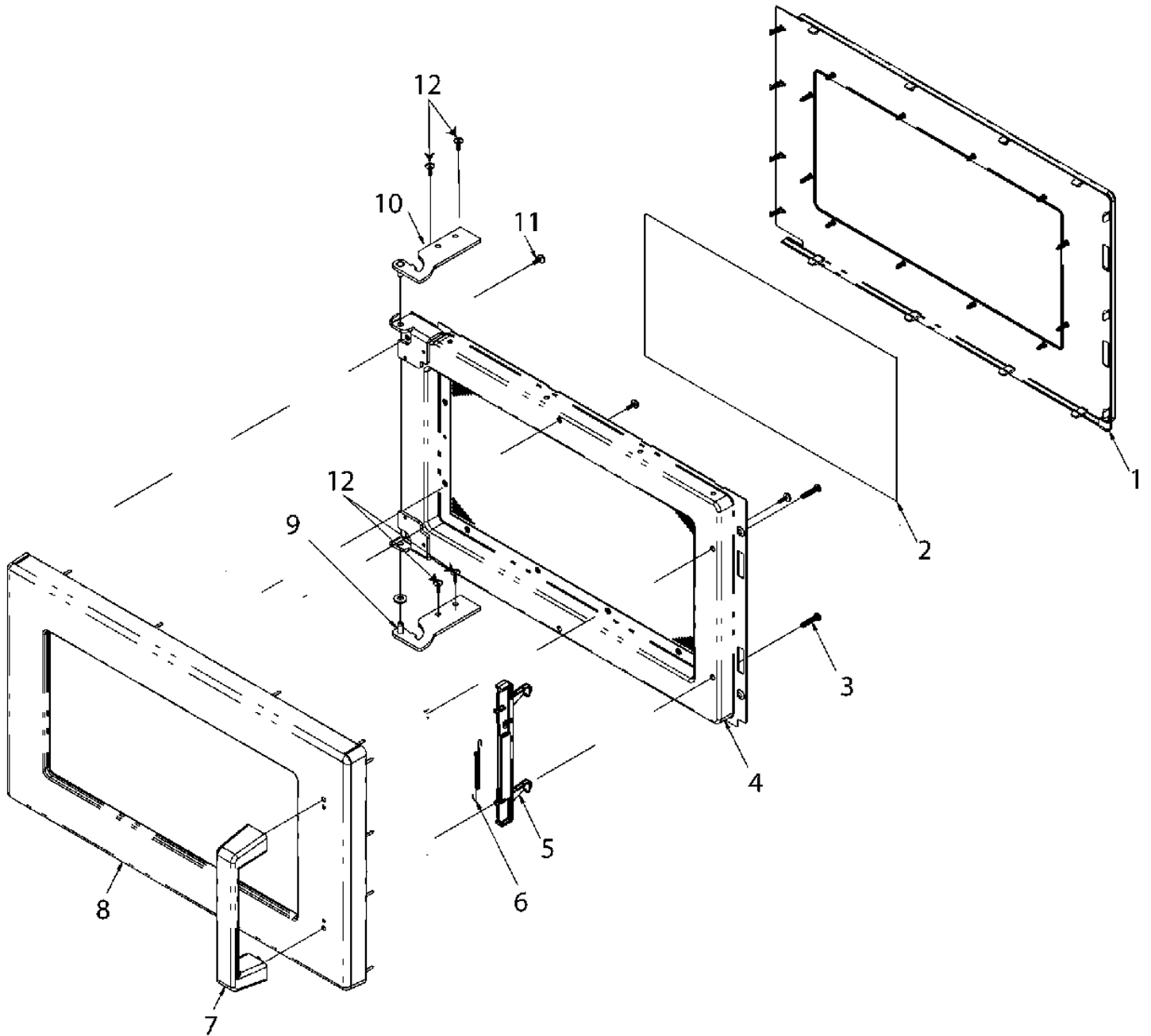
+7(812)987-08-81



Зип **DOOR** Цепит

vsezip.ru

+7(812)987-08-81

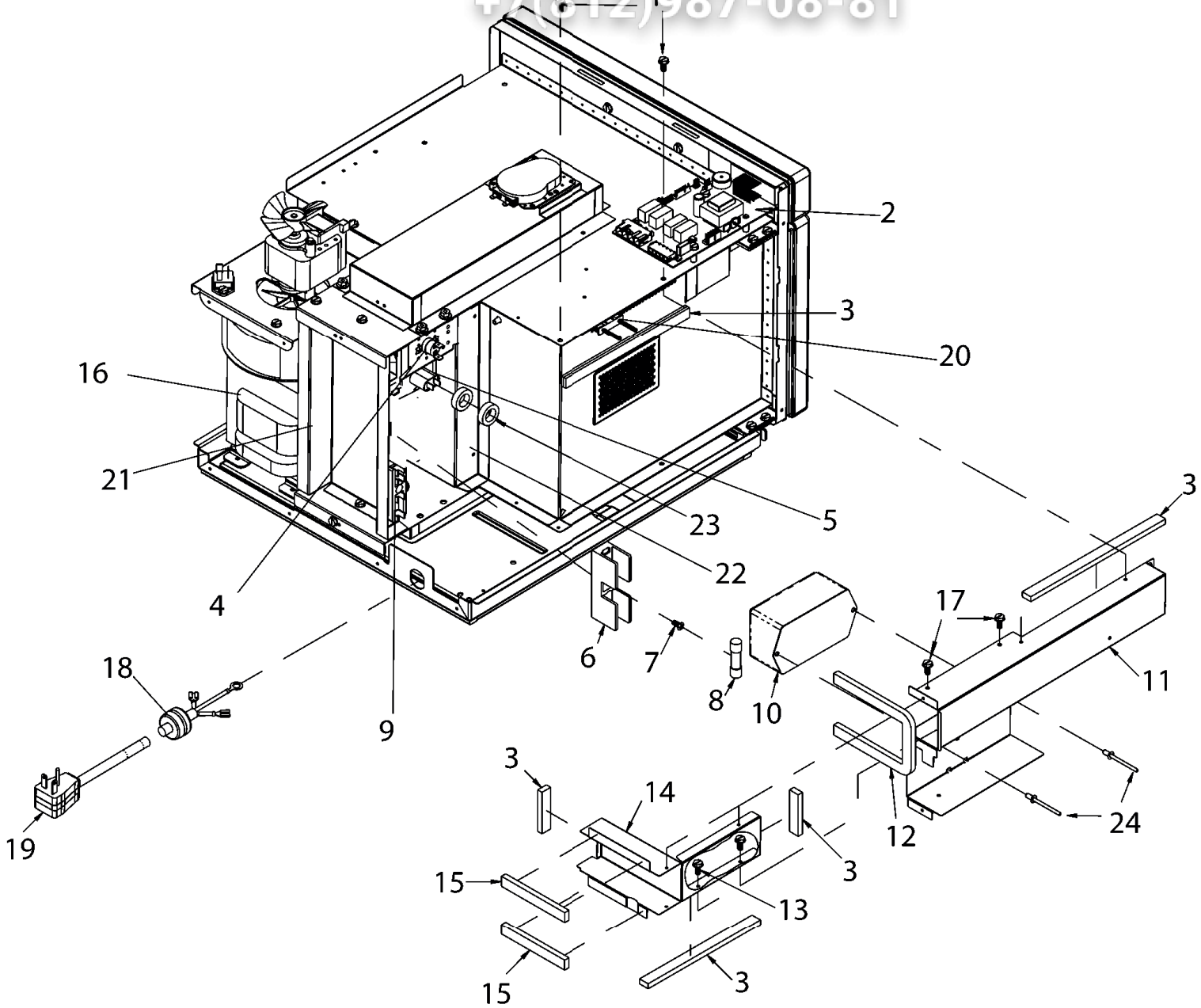


LV / HV CONTROL, MAGNETRON, DUCTS, FUSE

Зип Общепит

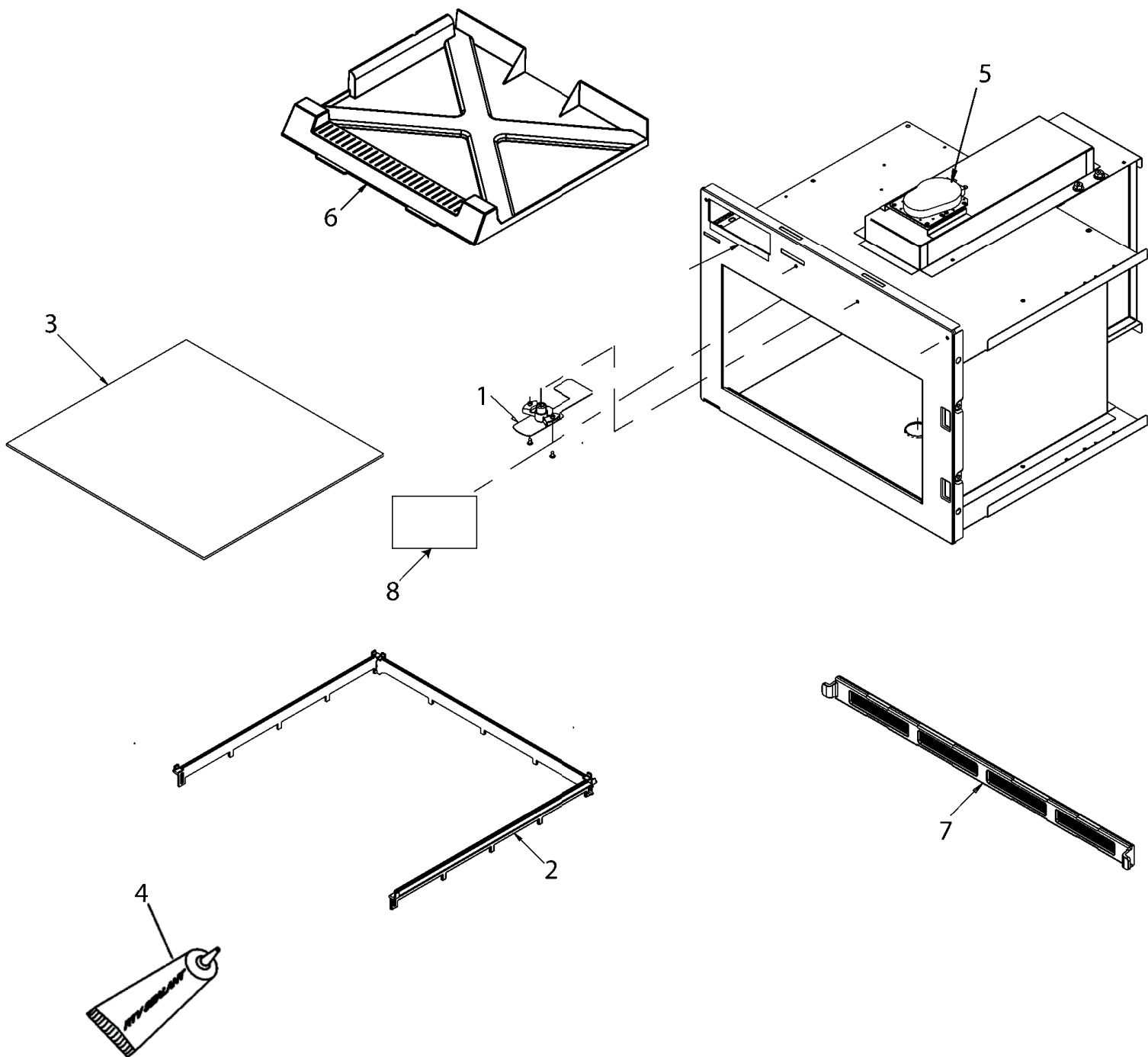
vsezip.ru

+7(812)987-08-81



Зип Общепит
TRAY, CAVITY, ANTENNA
vsezip.ru

+7(812)987-08-81

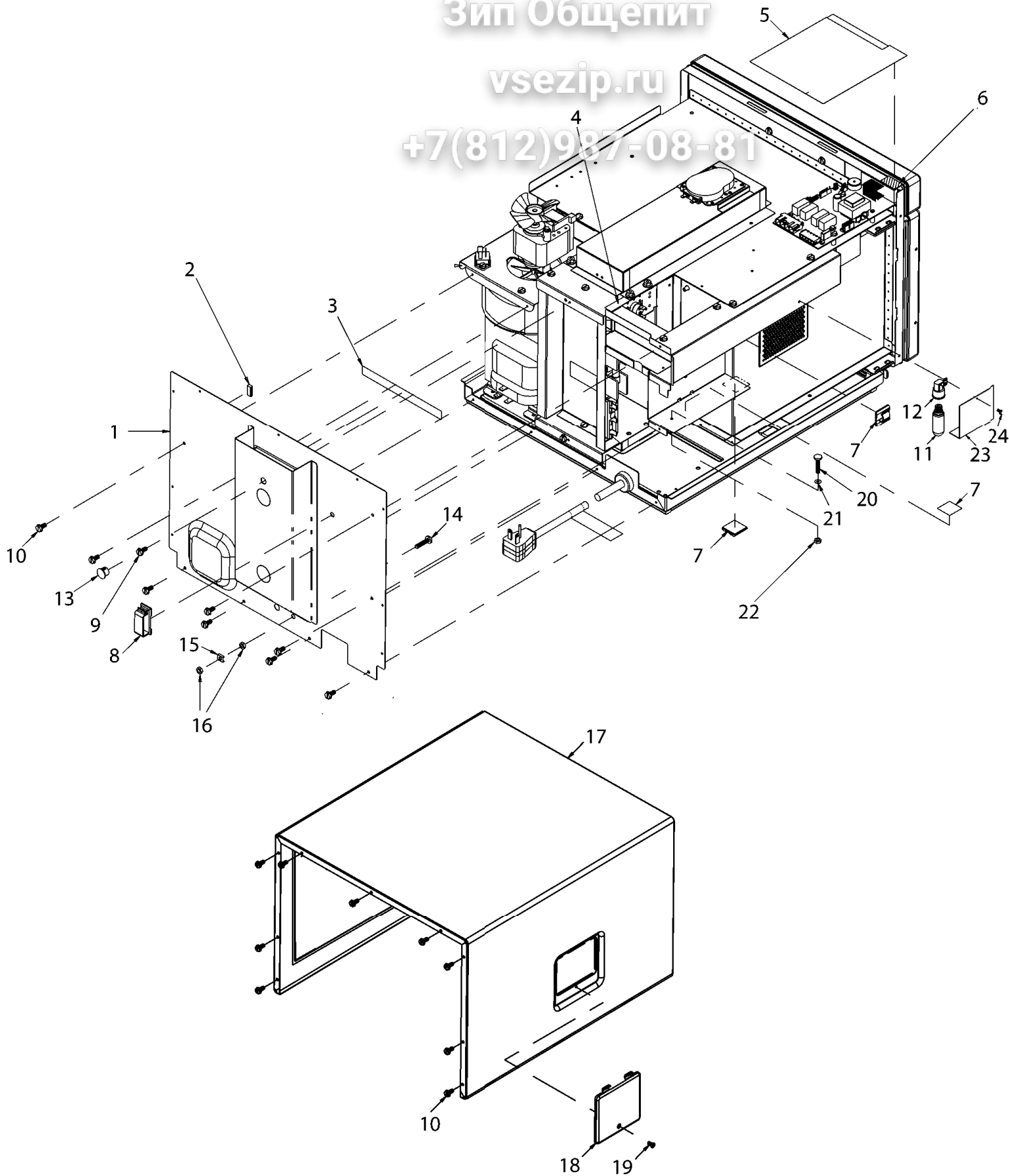


WRAPPER / REAR COVER / LAMP

Зип Общепит

vsezip.ru

+7(812)987-08-81



Seite	Pos	Kreditor Artikel Nr.	GB
001	001	12990524	SCREW-SM/HEX RoHS
001	002	12990522	SCREW-SM/HEX RoHS
001	003	20043501	HARNESS, OVEN
001	004	12990523	SCREW-SM/HEX RoHS
001	005	12990524	SCREW-SM/HEX RoHS
001	006	12990522	SCREW-SM/HEX RoHS
001	007	59002074	BASEPAN & GASKET ASSY
001	008	12525702	BARRIER-AIR
001	009	12529501	BRKT-DIODE
001	010	20037701	DIODE
001	011	12990524	SCREW-SM/HEX RoHS
001	012	21010502	BRKT-CAPACITOR
001	013	59002153	CAPACITOR-.74
001	014	59004077	GASKET, PER FT
001	015	12990522	SCREW-SM/HEX RoHS
001	016	21010501	CAPACITOR BRKT-FLAT
001	017	12990522	SCREW-SM/HEX RoHS
001	018	A3293506	BUSHING - SNAP
001	019	12990524	SCREW-SM/HEX RoHS
001	020	59004077	GASKET, PER FT
001	021	B5706704	BLADE, FAN
001	022	59004019	MOTOR, BLOWER
001	023	12990522	SCREW-SM/HEX RoHS
001	024	59002162	GASKET, PER FT
001	025	R0157373	KIT, TRIAC
001	026	12271103	BRKT-BLOWER WSH
001	027	59002162	GASKET, PER FT
001	028	12990522	SCREW-SM/HEX RoHS
001	029	20020502	RETAINER
001	030	12138201	WHEEL, BLOWER
001	031	59114167	INTERLOCK SWITCH ASSY
001	032	12525702	BARRIER-AIR
001	033	12138302	SCROLL, BLOWER
001	034	59104138	TOUCH PANEL ASSY
001	035	12131002	ENDCAP-ESC LEFT
001	036	12131001	ENDCAP-ESC RIGHT
001	037	20071101	SUPPORT-CAVITY
002	001	59114168	INNER DOOR
002	002	20044801	WINDOW-INNER DOOR
002	003	13041506	SCREW
002	004	59114170	WELD, INNER DOOR & WINDOW
002	005	59114175	LATCH, DOOR
002	006	20045102	SPRING-DOOR LATCH
002	007	12133901	HANDLE-DOOR
002	008	59114174	OUTER DOOR ASSY- MM
002	009	14119059	KIT, HINGE- BOTTOM
002	010	14119058	KIT, HINGE- TOP
002	011	12990606	SCREW-SM/PAN RoHS
002	012	13048901	SCREW-TF/HEX RoHS
003	001	12990524	SCREW-SM/HEX RoHS
003	002	59004111	BOARD, HV/LV
003	003	M0275058	TAPE-FOAM (ROLL)
003	004	B5684129	THERMAL CUTOUT
003	005	59004013	MAGNETRON
003	006	10091101	BLOCK-FUSE
003	007	12990522	SCREW-SM/HEX RoHS
003	008	M0805202	FUSE-15A
003	009	B5677203	BLOCK-TERMINAL
003	010	59001893	FILTER, LINE
003	011	12135604	CAVITY EXH DUCT-E CT
003	012	A3030302	GASKET
003	013	12990522	SCREW-SM/HEX RoHS
003	014	12135704	DUCT, CAVITY EXHAUST
003	015	59002162	GASKET, PER FT
003	016	59114145	TRANSFORMER, HV
003	017	12992305	SCREW-TF/HEX RoHS
003	018	M0370009	RELIEF-STRAIN
003	019	59002001	POWER CORD
003	020	B5795319	THERMAL CUTOUT, CAVITY

Зип-Общепит

vsezip.ru

+7(812)987-08-81

Seite	Pos	Kreditor Artikel Nr.	GB
003	021	12107304	DUCT, MAG INLET
003	022	12107304	DUCT, MAG INLET
003	023	44780P01	TOROID
003	024	A4539638	RIVET-POP RoHS
004	001	R0150185	KIT, ANTENNA- TOP
004	002	14109044	KIT, TRAY SUPPORTS & SEALER
004	003	14109040	KIT, CERAMIC TRAY & SEALER
004	004	59002167	SEALER
004	005	R0150197	KIT, ANTENNA MOTOR- TOP
004	006	59004011	ANTENNA SHIELD
004	007	59001659	FILTER, AIR
004	008	R9900114	KIT, WINDOW
005	001	12296806	ACCESS PANEL-E CT
005	002	59002162	GASKET, PER FT
005	003	R0000413	GASKET, BASEPAN - 90 in (228 cm)
005	004	59002162	GASKET, PER FT
005	005	12160602	SHIELD-SPILL
005	006	M0275163	TAPE-TRANSFER (ROLL)
005	007	M0104106	CLIP-CORD
005	008	M0118705	NLA- CLIP-GUIDE
005	009	12990525	SCREW-SM/HEX RoHS
005	010	12990525	SCREW-SM/HEX RoHS
005	011	59002071	LAMP
005	012	12163802	RECEPTACLE-EXPORT
005	013	13098801	PLUG, HOLE
005	014	M0293512	STUD -M6
005	015	12152201	WASHER-U TYPE
005	016	13045504	NUT - M6 KEPS
005	017	12408502Q	WRAPPER
005	018	10785608	COVER-LIGHT
005	019	13042002	SCREW-TF/OVAL RoHS
005	020	M0293511	STUD 6
005	021	M0272513	WASHER
005	022	13045501	NUT-#6 KEPS
005	023	12544201	BARRIER-LAMP
005	024	12992307	SCREW-TF/HEX RoHS

WIRING DIAGRAM

230V 50Hz
3-WIRE

SCHEMATIC
CONDITION:
DOOR OPEN

