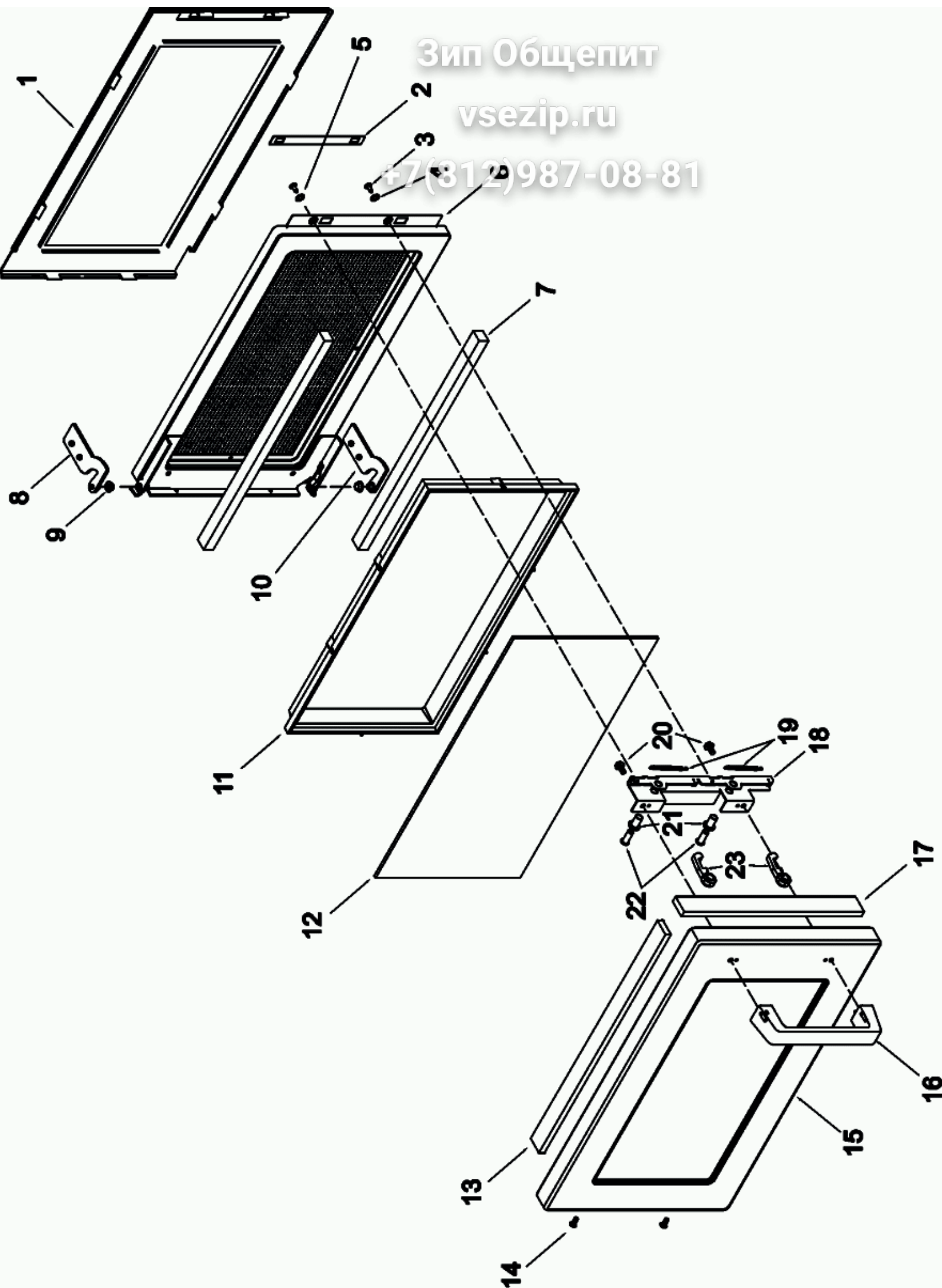


Зип Общепит

vsezip.ru

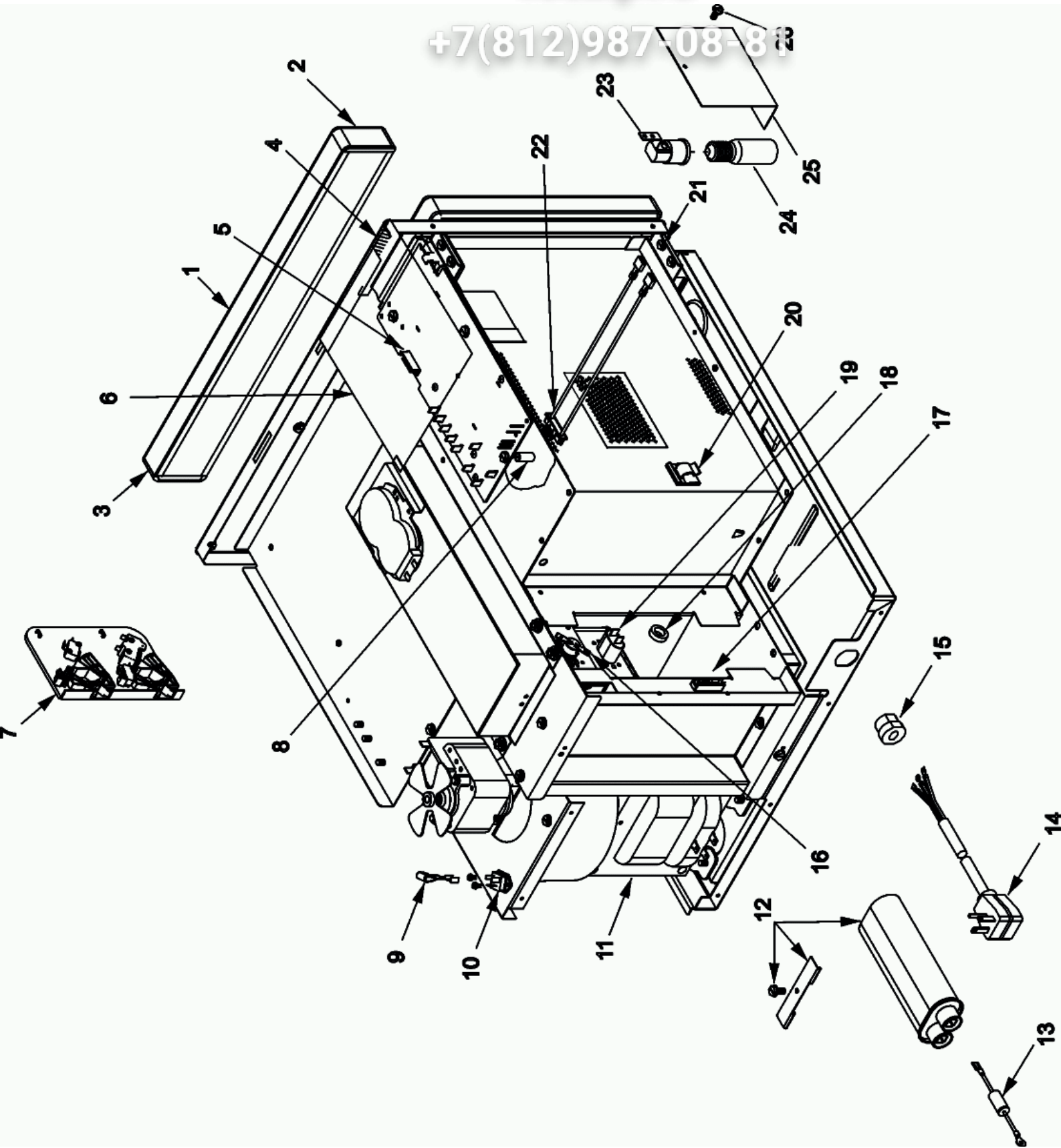
+7(812)987-08-81



Зип Ощепит

vsezip.ru

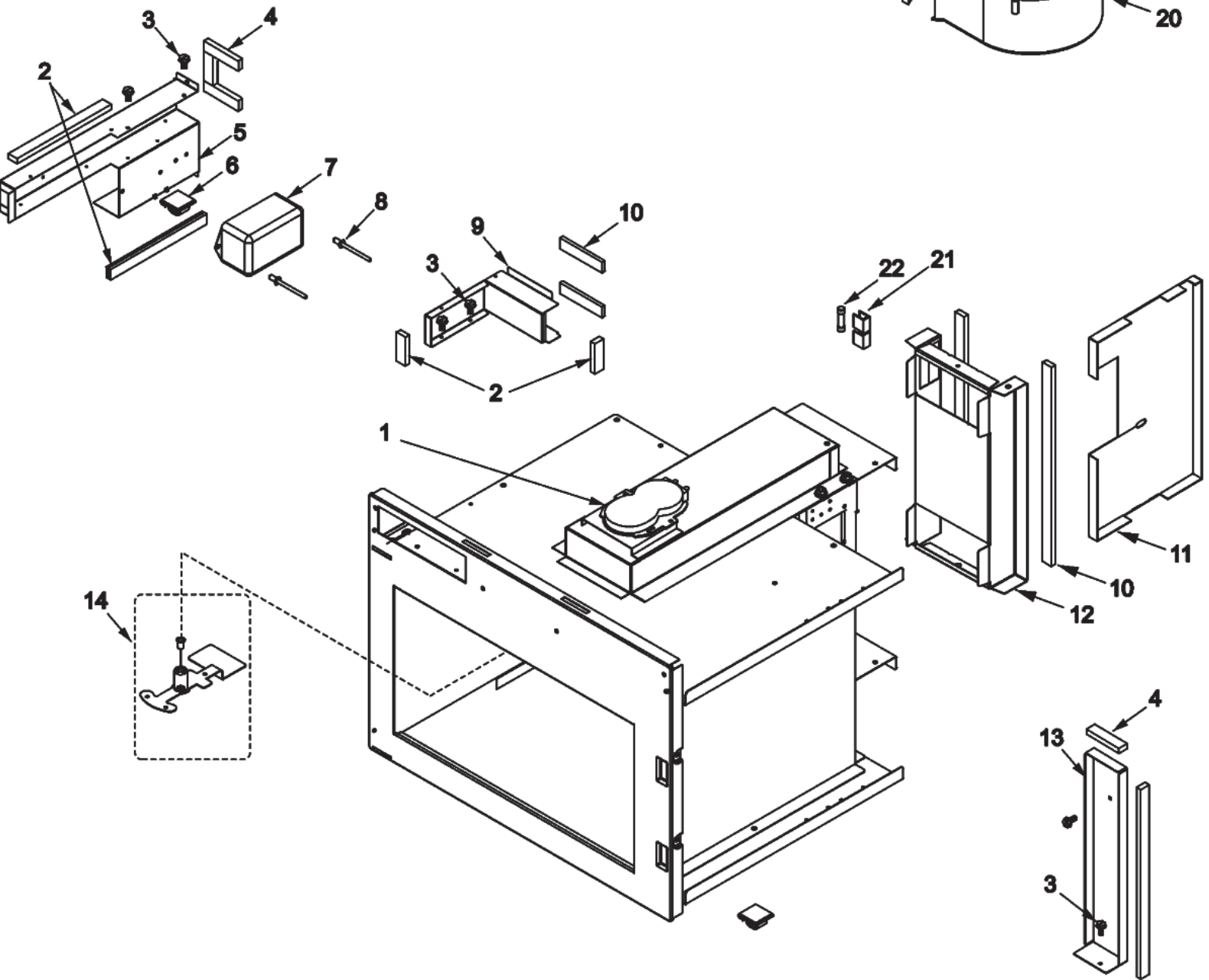
+7(812)987-08-83



Зип Общепит

vsezip.ru

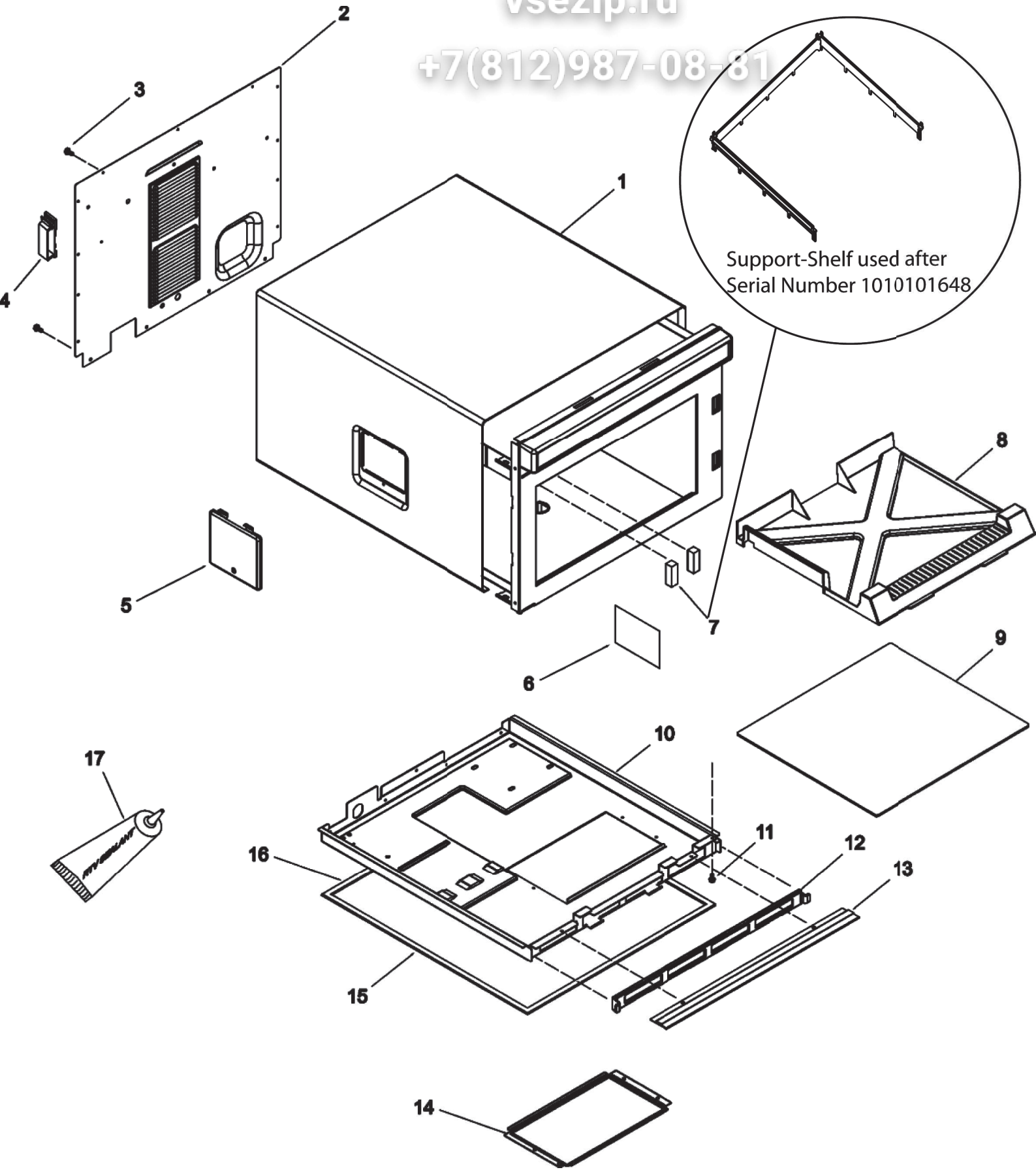
+7(812)987-08-81



Зип Ощепит

vsezip.ru

+7(812)987-08-81



Seite	Pos	Kreditor Artikel Nr.	GB
001	001	R0150148	INNER DOOR ASSY
001	002	12526201	LINKAGE-DOOR LATCH
001	003	M0230815	SCREW
001	004	M0274066	WASHER-NYLON
001	005	M0272503	WASHER, #6 LOCK
001	006	12472202	DOOR RING WELD-E CT
001	007	10966601	GASKET-NEOPRENE
001	008	12126805	TOP HINGE PLATE WELD
001	009	5210001001	WASHER-NYLON SHOULDER
001	010	12126806	BOTTOM HINGE PLATE WELD
001	011	R0150147	RETAINER, LENS
001	012	12133801	WINDOW-DOOR
001	013	12210804	ABSORBER-ENERGY
001	014	M0230518	SCREW, TC
001	015	59104140	DOOR, OUTER
001	016	12133901	HANDLE-DOOR
001	017	12210803	ABSORBER-ENERGY
001	018	12114401	BRKT-DOOR LATCH WSH
001	019	C8893502	SPRING-DOOR LATCH
001	020	12992307	SCREW-TF/HEX RoHS
001	021	M0800501	SPACER
001	022	12127001	PIN, LATCH
001	023	12126901	LATCH-DOOR
002	001	R0000244	TOUCH PANEL ASSY
002	001	M0216517	SCREW
002	002	12131001	ENDCAP-ESC RIGHT
002	003	12131002	ENDCAP-ESC LEFT
002	004	M0275163	TAPE-TRANSFER (ROLL)
002	005	59001698	BOARD, HV/LV
002	005	M0227333	SCREW, TC
002	006	12160602	SHIELD-SPILL
002	007	M0237906	SCREW- HI-LO
002	007	12538901Q	SWITCH, INTERLOCK ASSY
002	008	M0308801	CAP-SCREW
002	009	M0216515	SCREW
002	009	10172901Q	SNUBBER ASSY
002	010	M0216515	SCREW
002	010	R0157373	KIT, TRIAC
002	011	M0251028	SCREW, T.C.
002	011	10788610	TRANSFORMER, HV
002	012	59001170	CAPACITOR- 1.15
002	012	12132501	STRAP-CAPACITOR
002	012	M0234422	SCREW
002	013	B8383102	DIODE
002	014	B5669025	POWER CORD
002	015	M0370009	RELIEF-STRAIN
002	016	B5684121	THERMAL CUTOUT
002	016	M0229916	SCREW-TC
002	017	B5677203	BLOCK-TERMINAL
002	017	12991101	SCREW-SM/KNIFE RoHS
002	018	44780P01	TOROID
002	019	10489404	MAGNETRON-2M248K
002	020	M0104106	CLIP-CORD
002	021	M0253540	SCREW, TC
002	022	M0216515	SCREW
002	022	59001667	THERMAL CUTOUT
002	023	12163802	RECEPTACLE-EXPORT
002	024	M0360402	LAMP, 230/240 VAC
002	025	12544201	BARRIER-LAMP
002	026	12992307	SCREW-TF/HEX RoHS
003	001	R0150197	KIT, ANTENNA MOTOR- TOP
003	002	M0275058	TAPE-FOAM (ROLL)
003	003	M0216515	SCREW
003	004	A3030302	GASKET
003	005	12135604	CAVITY EXH DUCT-E CT
003	006	M0104106	CLIP-CORD
003	007	12173001	FILTER, LINE
003	008	A4539618	NLA- RIVET, .156 POP
003	009	12135704	DUCT, CAVITY EXHAUST

Зип-Общепит

vsezip.ru

+7(812)987-08-81

Seite	Pos	Kredtor Artikel Nr.	GB
003	010	10966607	GASKET-NEOPRENE
003	011	12134101	DIVIDER, FLOW
003	012	R0150161	DUCT ASSY
003	013	12525701	BARRIER-AIR
003	014	R0150185	KIT, ANTENNA- TOP
003	015	B5706704	BLADE, FAN
003	016	12138105	MOTOR, BLOWER
003	017	12271103	BRKT-BLOWER WSH
003	018	59002162	GASKET, PER FT
003	019	12138201	WHEEL, BLOWER
003	020	12138302	SCROLL, BLOWER
003	021	M0216515	SCREW
003	021	10091101	BLOCK-FUSE
003	022	M0805202	FUSE-15A
003	023	M0118901	CLIP
004	001	12408501	WRAPPER-OC
004	002	12296804	ACCESS PANEL-E CT
004	003	M0216703	SCREW
004	004	M0118705	NLA- CLIP-GUIDE
004	005	10785608	COVER-LIGHT
004	005	M0249632	SCREW, T F
004	005	M0274072	NLA- SPACER-RUBBER
004	006	R9900114	KIT, WINDOW
004	007	12496801	SUPPORT-SHELF
004	008	12126601	ANTENNA SHIELD
004	009	R0150144	KIT, CERAMIC TRAY W/SEALER
004	010	59002074	BASEPAN & GASKET ASSY
004	011	12991101	SCREW-SM/KNIFE RoHS
004	012	59001659	FILTER, AIR
004	013	12131301	TRIM
004	013	M0210816	NLA- SCREW, SM
004	014	12486002	BASE COVER-E CT
004	014	M0216515	SCREW
004	015	59001643	GASKET, BASEPAN- CUT
004	016	59001642	GASKET, BASEPAN- CUT
004	017	M0275598	SEALER
		RT2240005	TECH SHEET-COMM'L MICRO **NO
		59001699	NLA- HARNESS, MAIN

Зип-Общепит

vsezip.ru

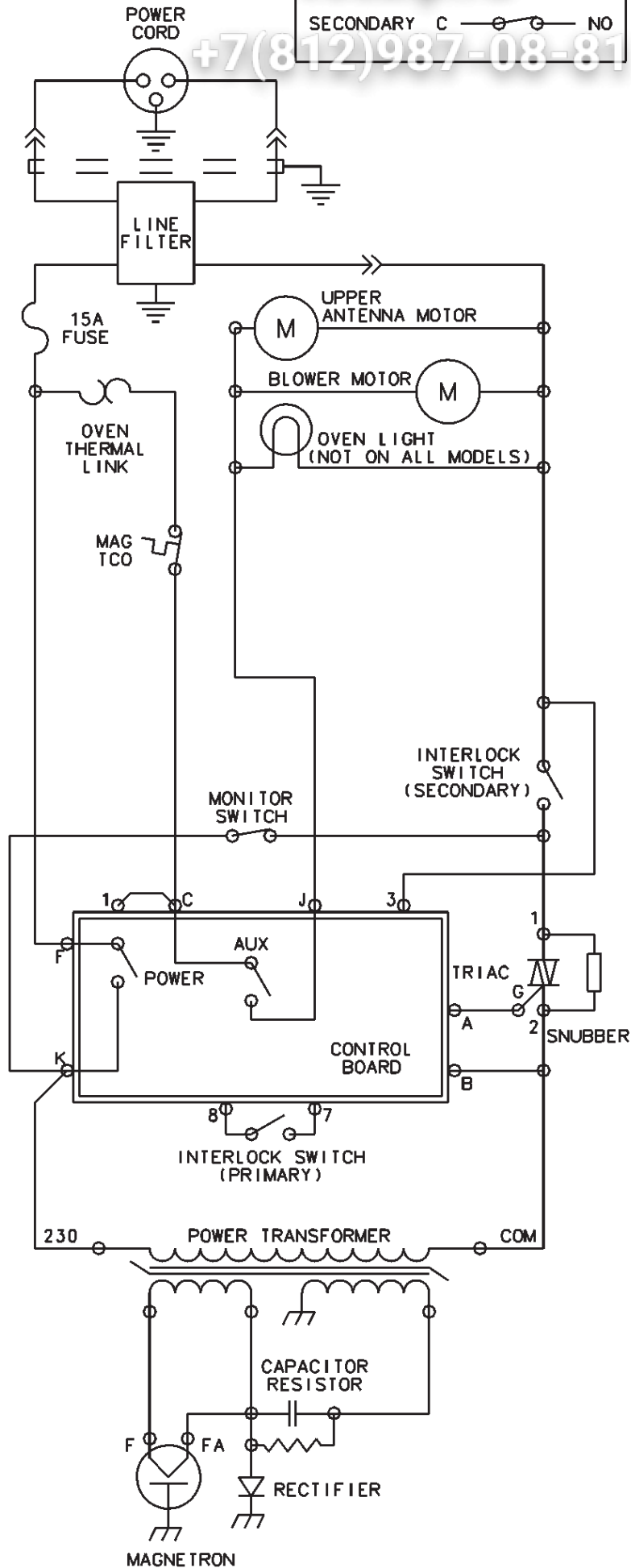
+7(812)987-08-81

230V 50HZ
3-WIRE

SCHEMATIC
CONDITION:
DOOR OPEN

INTERLOCK SWITCH
SCHEMATIC

DOOR CLOSED



Зип Общенит

www.zip.ru

+7(812)987-08-81