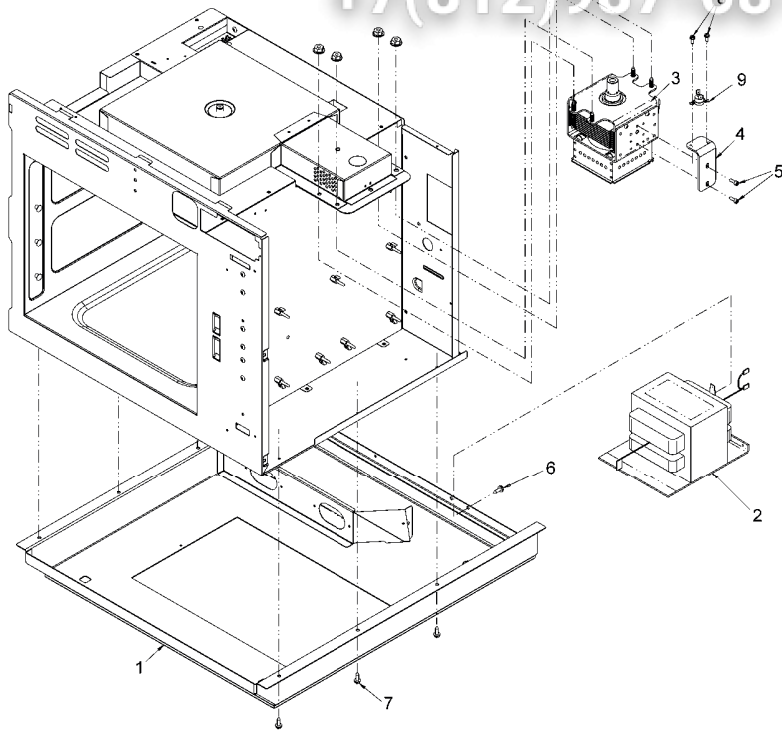


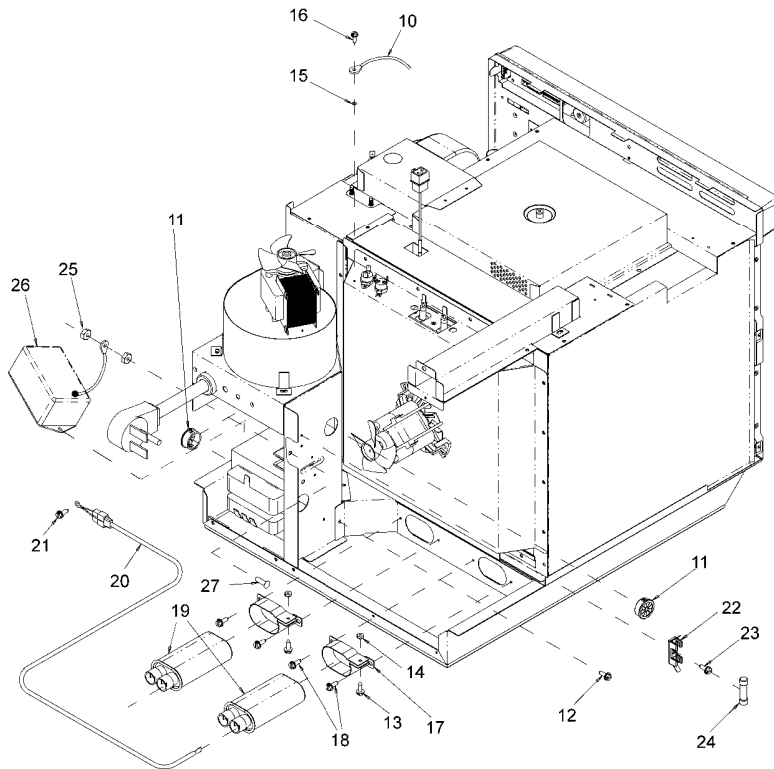
Зип Общепит

BASE / MAGNETRON / TRANSFORMER

+7(812)987-08-81



PLUGS / CAPACITORS / DIODE ASSEMBLY

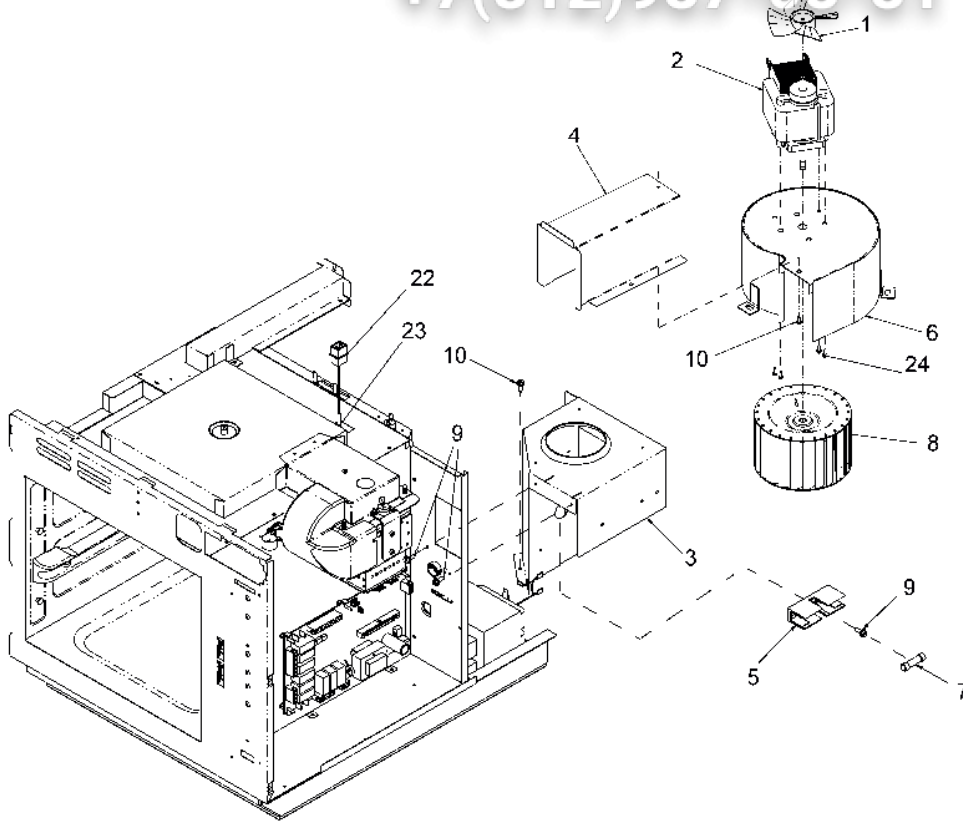


Зип Общепит

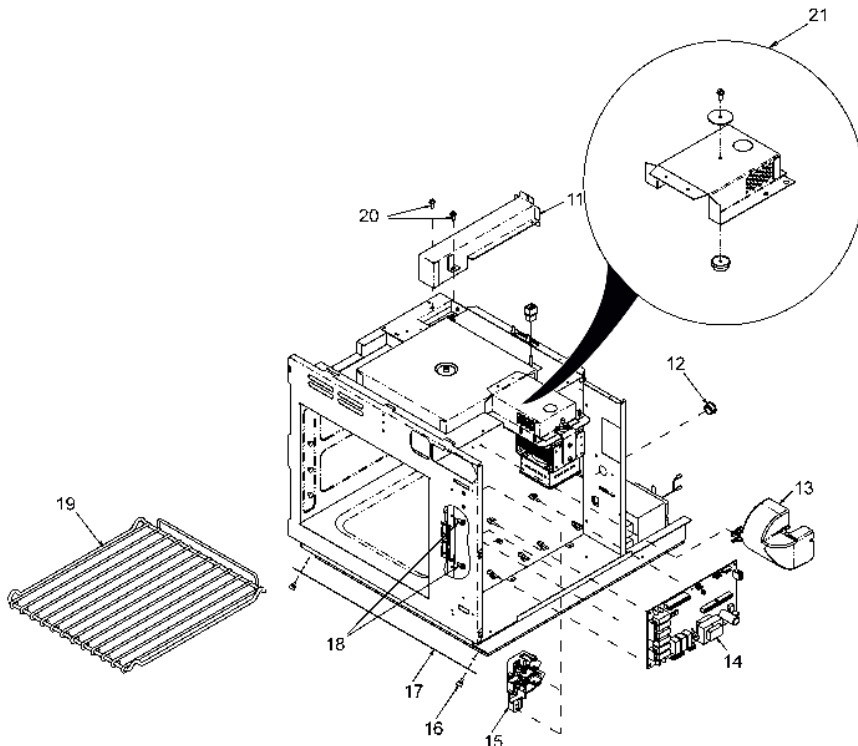
vsezip.ru

BLOWER MOTOR / FUSE BLOCK

+7(812)987-08-81



HV BOARD / INTERLOCK

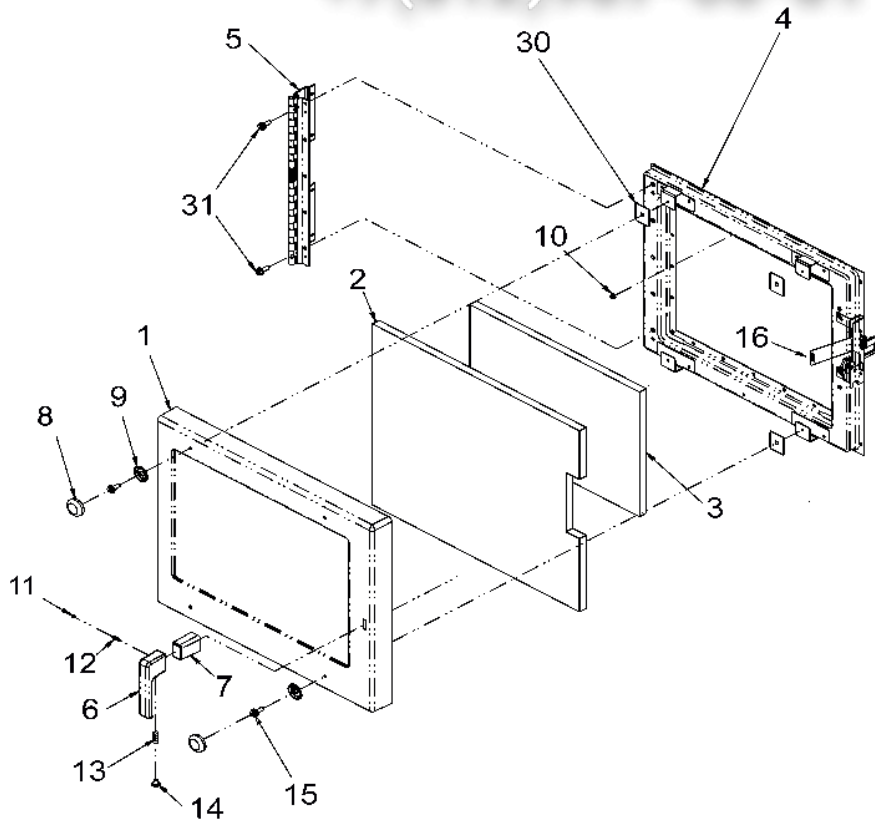


Зип Общепит

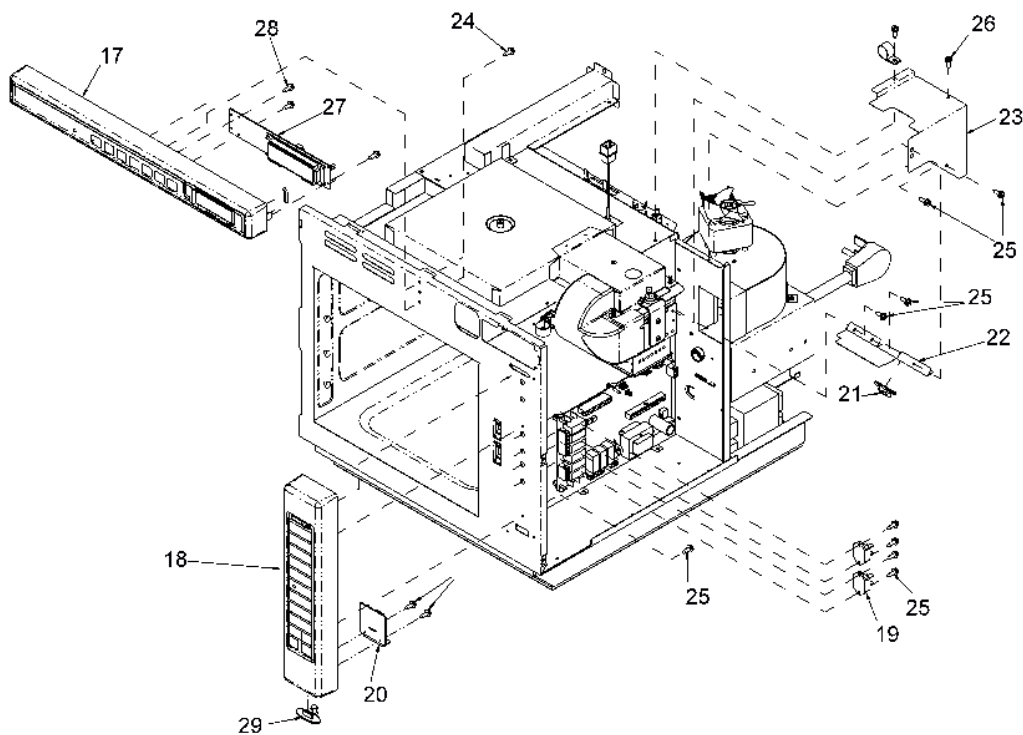
vsezip.ru

DOOR / DOOR HANDLE

+7(812)987-08-81



UPPER & LOWER SWITCH / TRIAC / DISPLAY BOARD

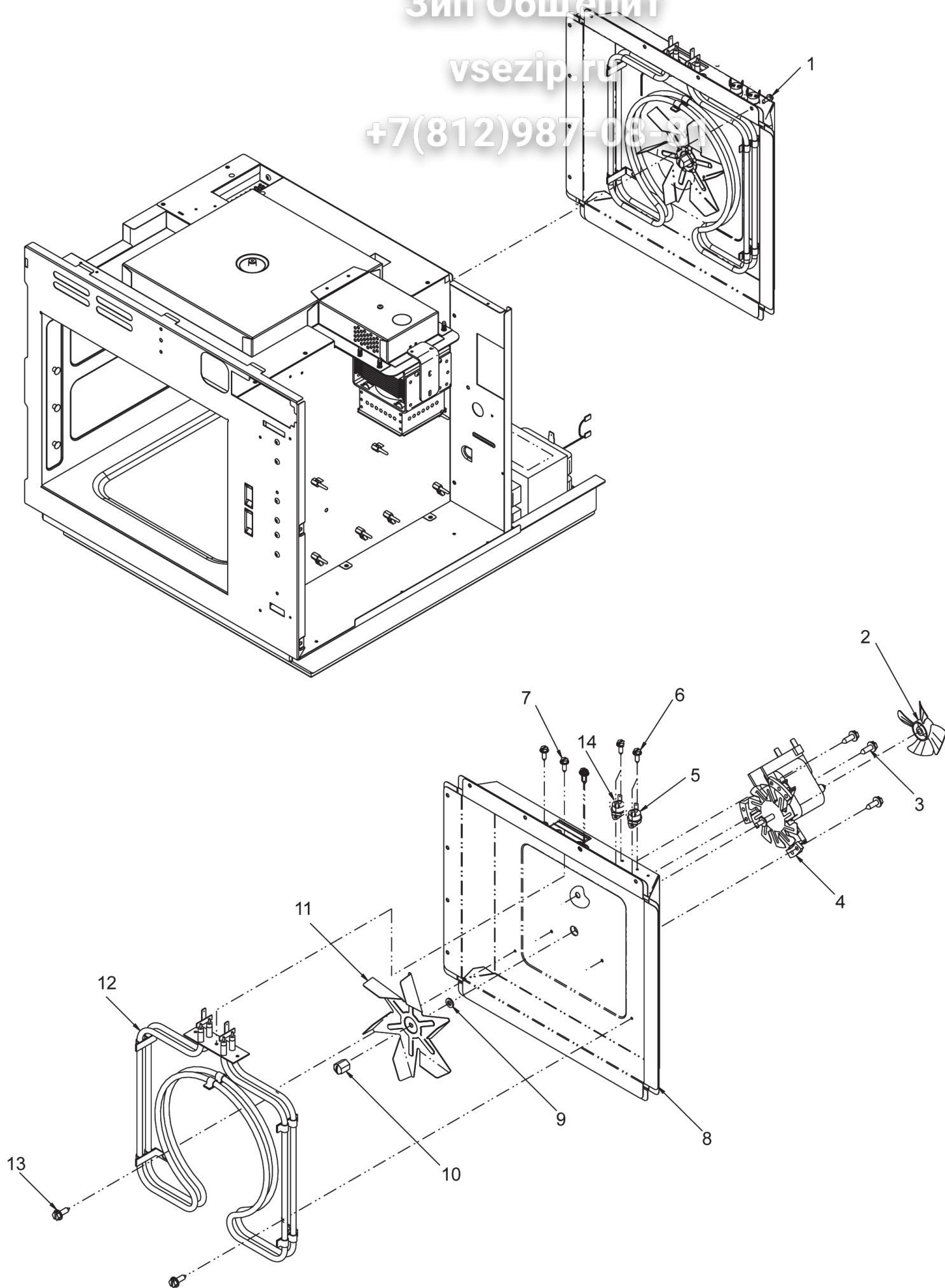


HEATER BOX / CONVECTION MOTOR

Зип Общепит

vsezip.ru

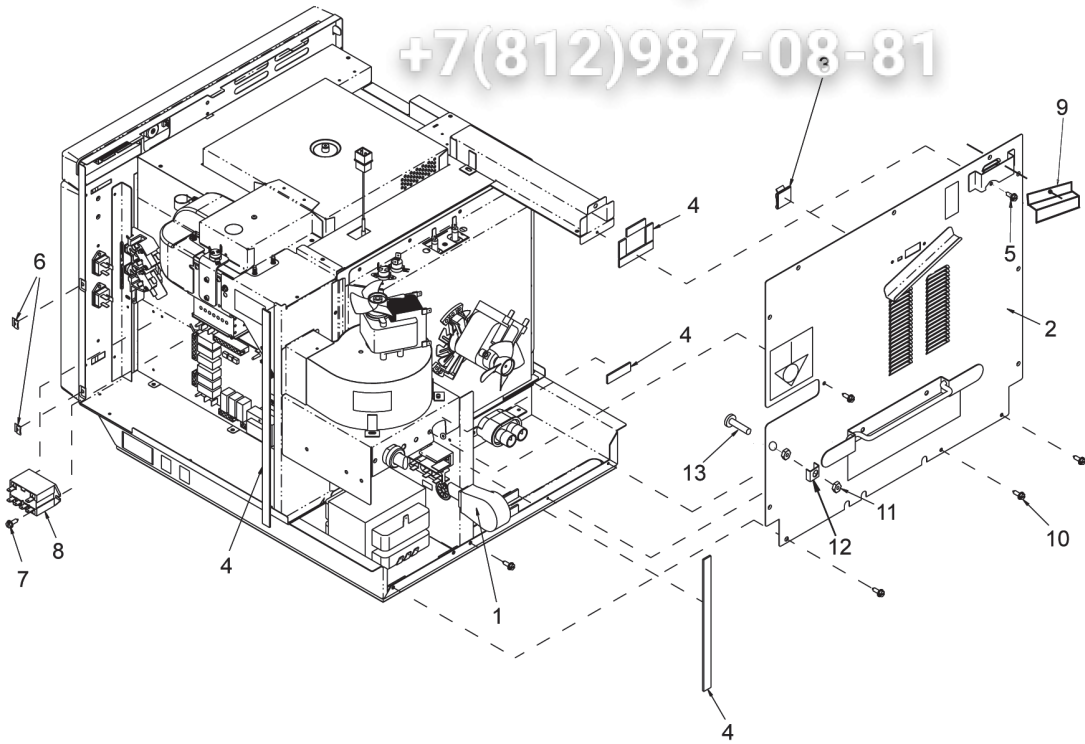
+7(812)987-08-81



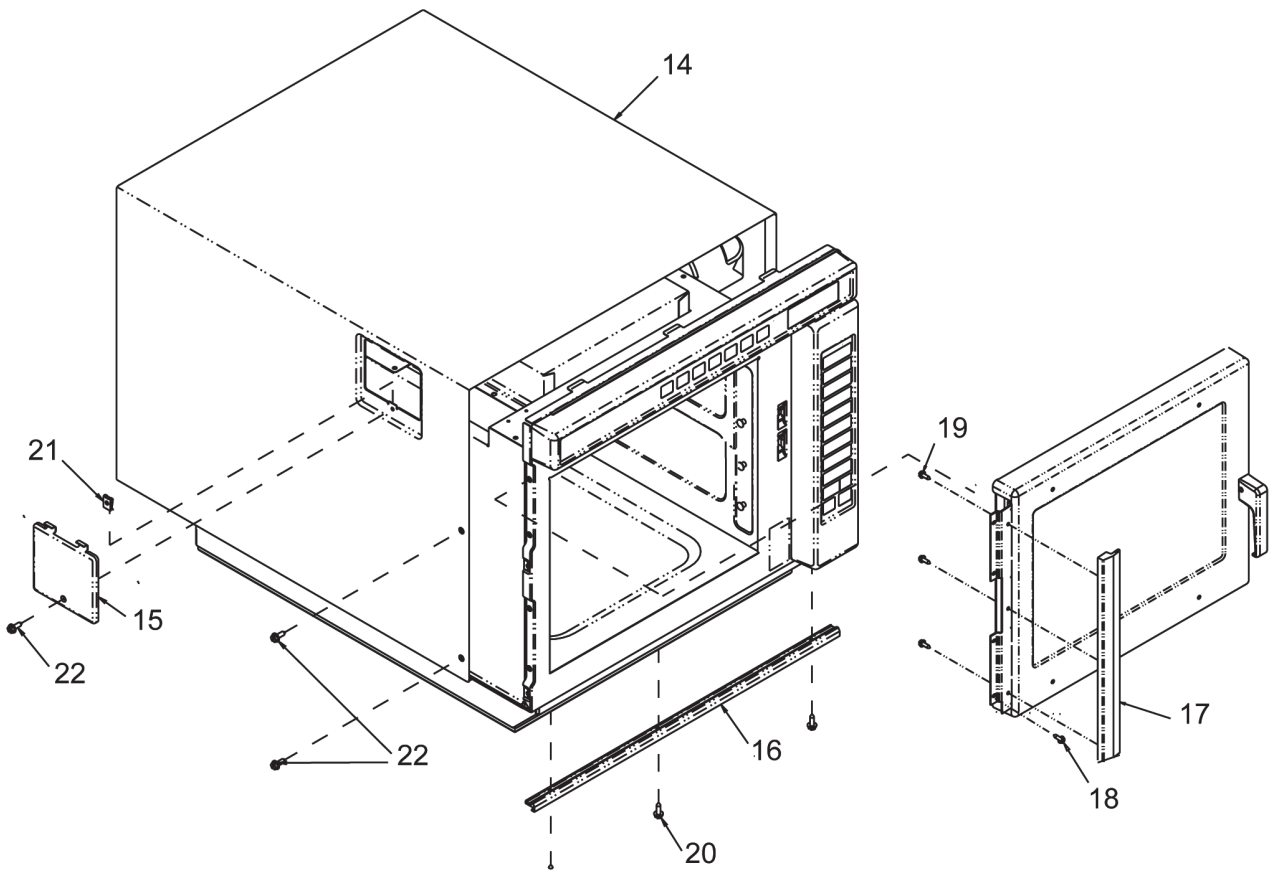
Зип Общепит

REAR PANEL / POWER CORD / POWER RELAY

+7(812)987-08-81



OUTERCASE / HINGE COVER

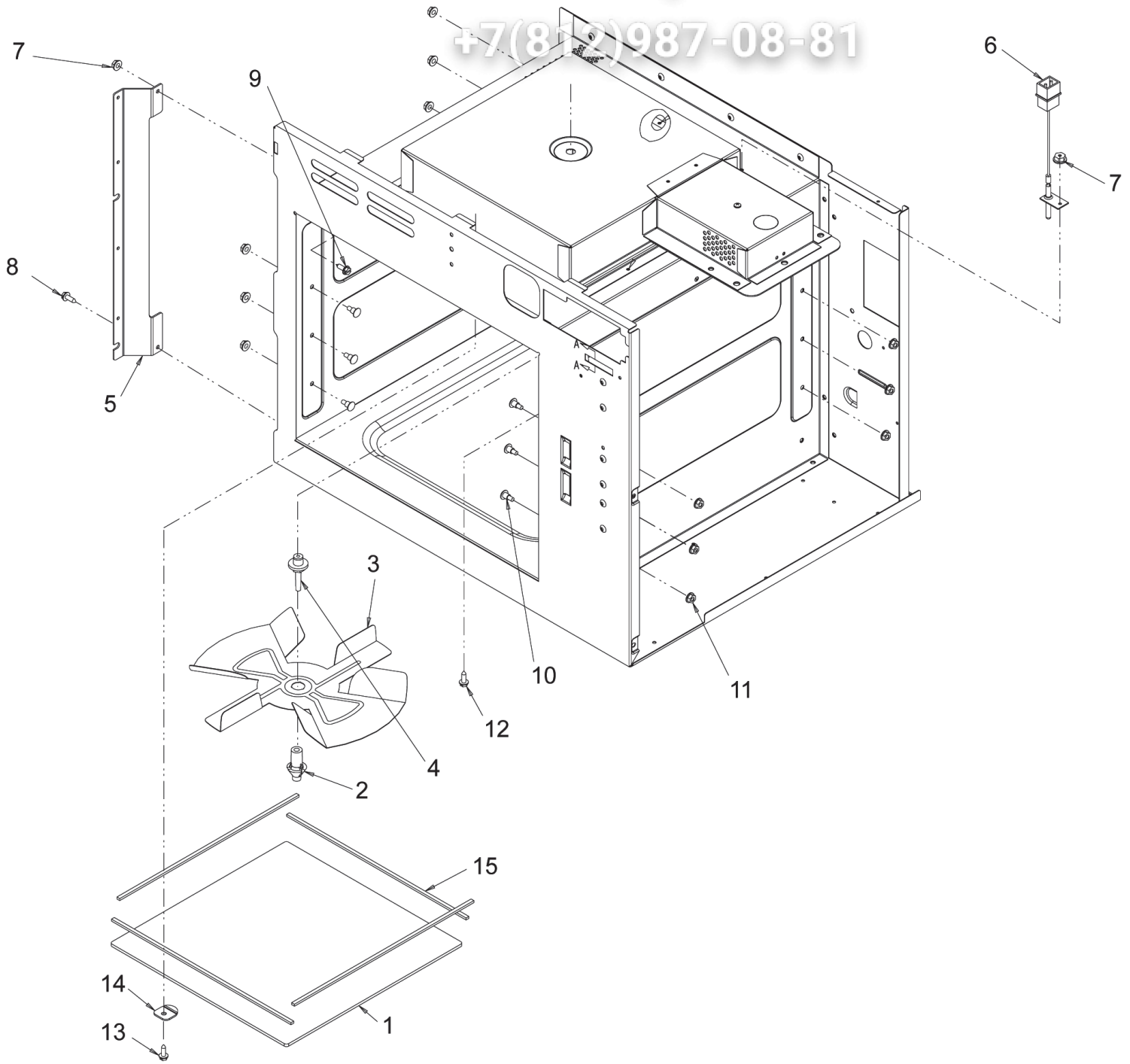


STIRRER SYSTEM / OVEN TRAY

Зип Общепит

vsezip.ru

+7(812)987-08-81



Seite	Pos	Kredtor Artikel Nr.	GB
001	001	59002096	BASEPAN ASSY, ACE14
001	002	59002087	TRANSFORMER, HV
001	003	59002081	MAGNETRON
001	004	13080901	BRKT - TCO MTG
001	005	M0229916	SCREW-TC
001	006	12990526	SCREW-SM/HEX RoHS
001	007	12991605	SCREW
001	008	13041602	SCREW
001	009	B5684121	THERMAL CUTOUT
001	010	59002182	HARNESS - WIRING
001	011	M0571003	BUSHING-SNAP
001	012	12990526	SCREW-SM/HEX RoHS
001	013	59001208	SCREW, HEX HEAD
001	014	13045501	NUT-#6 KEPS
001	015	M0272503	WASHER, #6 LOCK
001	016	13042201	SCREW
001	017	13069001	BRKT- CAPACITOR
001	018	12992305	SCREW-TF/HEX RoHS
001	019	59002153	CAPACITOR-.74
001	020	R9800022	KIT, DIODE
001	021	12990524	SCREW-SM/HEX RoHS
001	022	12136503	BLOCK-1 POLE FUSE
001	023	12990607	SCREW
001	024	M0805102	FUSE-15A
001	025	13045501	NUT-#6 KEPS
001	026	12130001	FILTER-LINE
001	027	M0293511	STUD 6
002	001	B5706704	BLADE, FAN
002	002	10773308	MOTOR-BLOWER
002	003	12000816	BLOWER BRACKET
002	004	10977801	TRANSITION-BLOWER
002	005	10091101	BLOCK-FUSE
002	006	10797203	SCROLL WELD
002	007	14119057	KIT, FUSE & RELAY BOARD
002	008	C3670809	WHEEL-BLOWER
002	009	12990522	SCREW-SM/HEX RoHS
002	010	12990526	SCREW-SM/HEX RoHS
002	011	12002901	FLUE DUCT WELD
002	012	M0571001	BUSHING-SNAP
002	013	12018102	DUCT-MAG/WVGD
002	014	59004051	BOARD, HV
002	015	12360509	SWITCH - INTERLOCK
002	016	13042901	SCREW-THUMB RoHS
002	017	10853102	GRILLE-AIR INLET
002	018	12876603	SCREW
002	019	RA14	ACE RACK ACCESSORY
002	020	12990526	SCREW-SM/HEX RoHS
002	021	14080012	KIT, TUNING STUB- ACE
002	022	12000202	SENSOR-TEMP
002	023	13045501	NUT-#6 KEPS
002	024	12992305	SCREW-TF/HEX RoHS
003	001	59001511	DOOR, OUTER
003	002	59001720	INSULATION, DOOR- LARGE
003	003	59001719	INSULATION, DOOR- SMALL
003	004	12002760	KIT, INNER DOOR W/LATCH & CAPS
003	005	59001869	HINGE, DOOR
003	006	12490902	HANDLE-DOOR
003	007	12576901	INSERT-HANDLE
003	008	M0295503	CAP - SCREW
003	009	M0295502	WASHER-CAP SCREW
003	010	13045502	NUT -#8 KEPS
003	011	12360703	PLUG-HOLE
003	012	59002036	SCREW SET CONE RoHS
003	013	13047001	SCREW-SET/DOG RoHS
003	014	M0310305	PLUG-WHITE BUTTON
003	015	13042701	SCREW-TC/HOLT RoHS
003	016	59001721	SPRING, LATCH
003	017	59002099	TOUCH PANEL TOP
003	018	59002093	TOUCH PANEL SIDE

Зип-Общепит

vsezip.ru

+7(812)987-08-81

Seite	Pos	Kreditor Artikel Nr.	GB
003	019	59002026	TRIAC (40A)
003	020	59002095	BOARD,DATA KEY
003	021	M0104106	CLIP-CORD
003	022	10978601	DUCT-BLOWER/MAG
003	023	10978703	COVER - MAG INLET
003	024	59001208	SCREW, HEX HEAD
003	025	12990526	SCREW-SM/HEX RoHS
003	026	12990522	SCREW-SM/HEX RoHS
003	027	59002084	BOARD, DISPLAY
003	028	13042002	SCREW-TF/OVAL RoHS
003	029	59002092	PLUG, DATA KEY
003	030	12529302	SPACER - THERMAL
003	031	12990527	SCREW-SM/HEX RoHS
004	001	12990511	SCREW
004	002	59002159	BLADE, FAN
004	003	12992307	SCREW-TF/HEX RoHS
004	004	59002089	MOTOR,CONVECTION
004	005	31866P01	CUTOUT-THERMAL
004	006	13041602	SCREW
004	007	12990606	SCREW-SM/PAN RoHS
004	008	59001513	HEATER BOX
004	009	12546101	WASHER
004	010	12538001	NUT-CAP
004	011	12537901	BLADE, FAN
004	012	59002082	HEATER
004	013	13041801	SCREW-TC/PAN RoHS
004	014	B5684123	THERMAL CUTOUT
005	001	59002181	CORD POWER
005	002	12002804	ACCESS PAN WLD-E CT
005	003	M0104106	CLIP-CORD
005	004	A3030330	GASKET, PER FT
005	005	12990526	SCREW-SM/HEX RoHS
005	006	M0287016	NUT, SPEED
005	007	12990524	SCREW-SM/HEX RoHS
005	008	12492202	RELAY
005	009	12470201	COVER-VENT
005	010	12990525	SCREW-SM/HEX RoHS
005	011	13045504	NUT - M6 KEPS
005	012	12152201	WASHER-U TYPE
005	013	M0293512	STUD -M6
005	014	10908901Q	WRAPPER- STAINLESS
005	015	10785608	COVER-LIGHT
005	016	10909005	TRIM-OC
005	017	59001230	COVER, HINGE- GRAY
005	018	12990527	SCREW-SM/HEX RoHS
005	019	59002004	SCREW
005	020	13042002	SCREW-TF/OVAL RoHS
005	021	M0288215	NUT-SPEED
005	022	13042001	SCREW-TF/OVAL RoHS
006	001	R0150115	COVER, STIRRER
006	002	R0130737	KIT, STIRRER BLADE
006	003	10825904Q	BLADE, STIRRER
006	004	12004401	SHAFT-STIRRER
006	005	12189004	BRKT-HINGE SUPPORT
006	006	12000202	SENSOR-TEMP
006	007	13045501	NUT-#6 KEPS
006	008	59001208	SCREW, HEX HEAD
006	009	M0202557	SCREW-MACH
006	010	13079102	SCREW-MACH/SHLD
006	011	13045502	NUT -#8 KEPS
006	012	59001208	SCREW, HEX HEAD
006	013	M0213802	SCREW-SM
006	014	12188901	RETAINER-TRAY
006	015	12019002	GASKET

Зип-Общепит

vsezip.ru

+7(812)987-08-81

WIRING INFORMATION

Зип Общепит

vsezip.ru

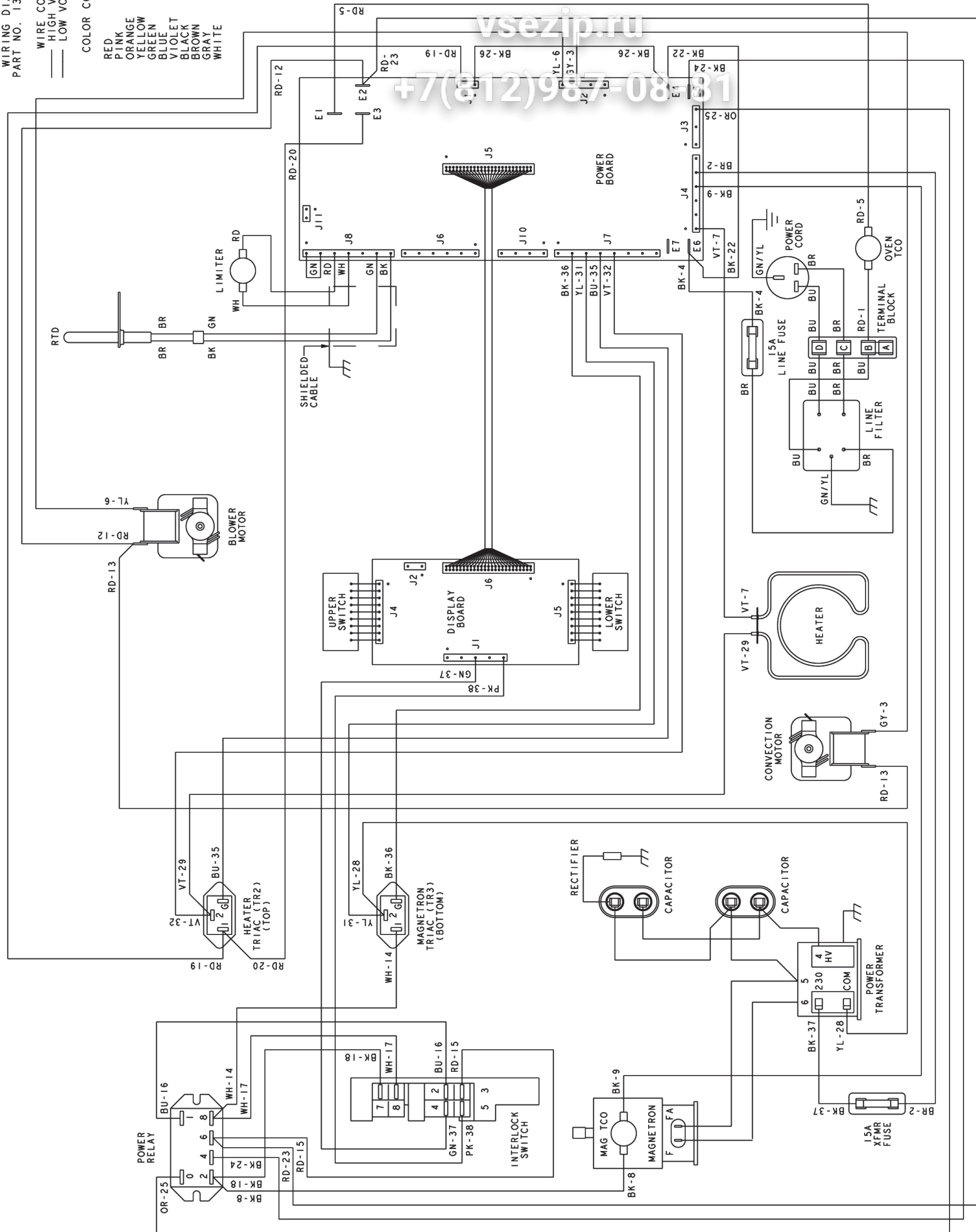
+7(812)987-08131

WIRING DIAGRAM
PART NO. 13070304

WIRE CODE
— HIGH VOLTAGE
— LOW VOLTAGE

COLOR CODE

RD
PK
OR
YL
GN
BU
VT
BK
BR
GY
WH



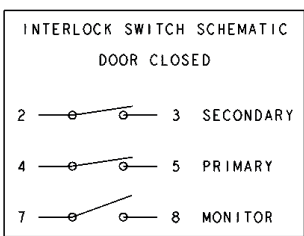
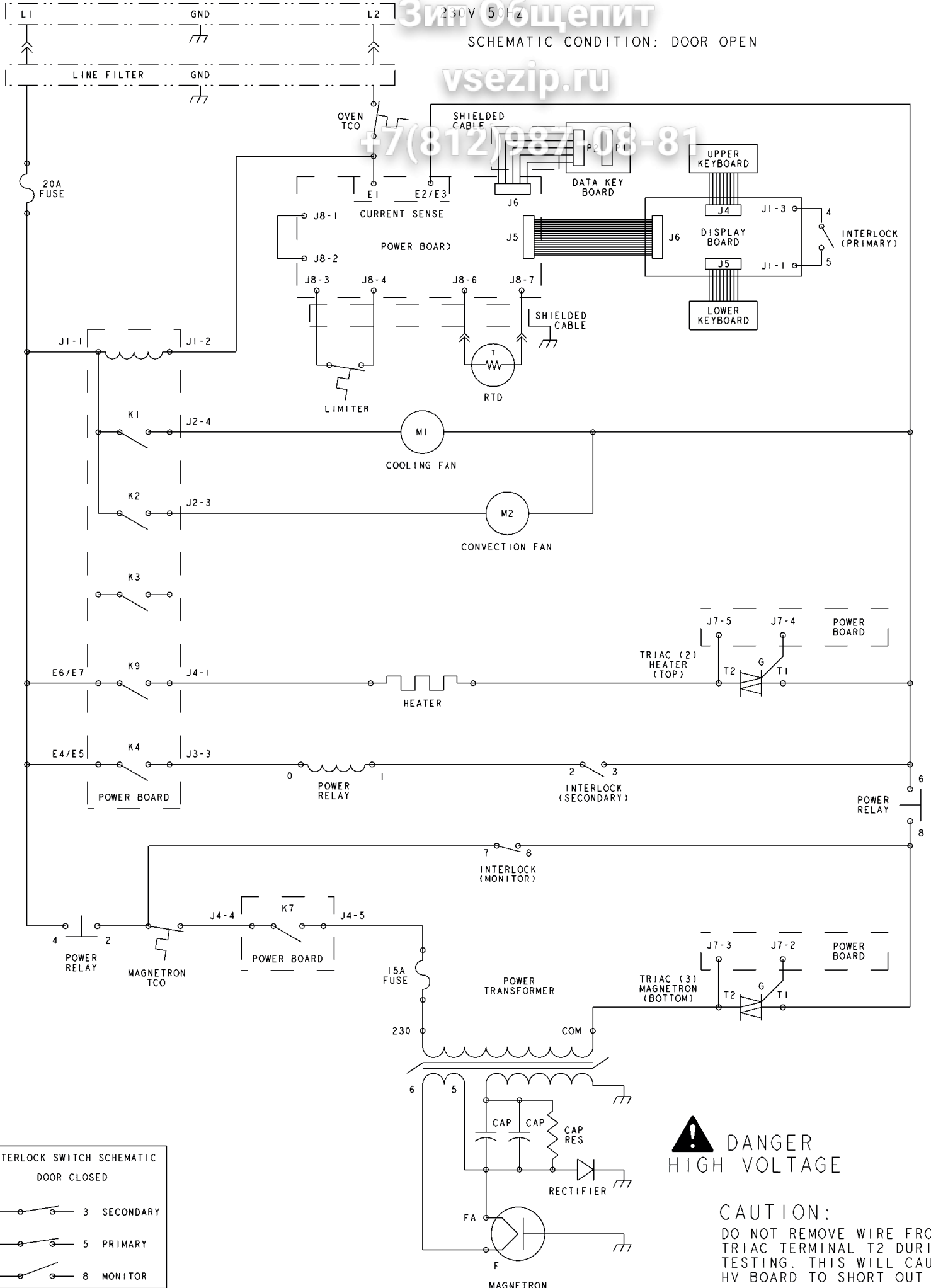
WIRING INFORMATION

230V 50HZ
Зит Общепит

SCHEMATIC CONDITION: DOOR OPEN

vsezip.ru

+7(812)987-08-81



⚠ DANGER HIGH VOLTAGE

CAUTION:
DO NOT REMOVE WIRE FROM TRIAC TERMINAL T2 DURING TESTING. THIS WILL CAUSE HV BOARD TO SHORT OUT