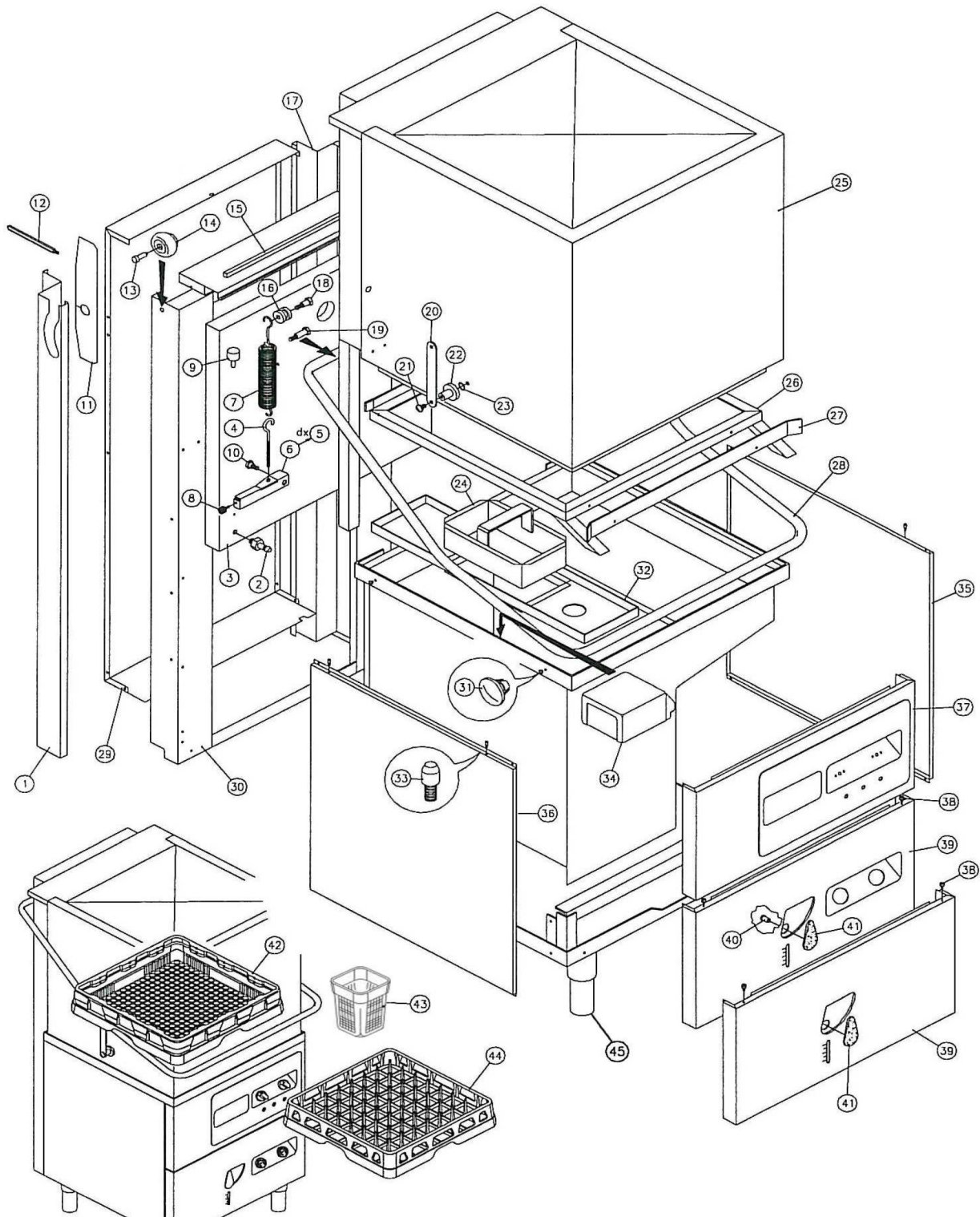


|       |              |      |               |
|-------|--------------|------|---------------|
| MODEL | <b>LC 50</b> | TYPE | <b>3 H 3H</b> |
| MODEL | <b>LC 65</b> | TYPE | <b>3</b>      |
| MODEL |              | TYPE |               |
| MODEL |              | TYPE |               |
| MODEL |              | TYPE |               |

+7(812)987-08-81





# SPARE PARTS LIST

Структура Общепит

TABLE

9140370

REVISIONED  
20.02.2008

Pag. 2

01/01/1997

VALID FROM  
vsczip.ru

+7(812)987-08-81

| POS. | MOD. | CODE   | REF. | REF. | REF. | DESCRIPTION                             | NOTES      |
|------|------|--------|------|------|------|---|------------|
| 1    |      | 743121 | 0    |      |      | Left rear covering                      | on request |
| 2    |      | 230603 | 0    |      |      | Runner pin                              |            |
| 3    |      | 743114 | 0    |      |      | Tank back                               | on request |
| 4    |      | 230620 | 0    |      |      | Spring tie-rod                          |            |
| 5    |      | 644552 | 0    |      |      | Bracket for spring support hook (right) | on request |
| 6    |      | 644553 | 0    |      |      | Bracket for spring support hook (left)  | on request |
| 7    |      | 238517 | 0    |      |      | Handle spring                           |            |
| 8    |      | 277563 | 0    |      |      | Vibration-proof cover stopping          |            |
| 9    |      | 277564 | 0    |      |      | Vibration-proof element 25x20           |            |
| 10   |      | 230615 | 0    |      |      | Bracket pin                             |            |
| 11   |      | 262015 | 0    |      |      | Buttonhole protection                   |            |
| 12   |      | 221560 | 0    |      |      | Protection runner pin                   |            |
| 13   |      | 230609 | 0    |      |      | Runner roller pin                       |            |
| 14   |      | 260011 | 0    |      |      | Cover runner roller                     |            |
| 15   |      | 271227 | 0    |      |      | Labyrinth watertight gasket             |            |
| 16   |      | 260017 | 0    |      |      | Cover spring fixing roller              |            |
| 17   |      | 743120 | 0    |      |      | Rear covering                           | on request |
| 18   |      | 230613 | 0    |      |      | Spring roller pin                       |            |
| 19   |      | 230614 | 0    |      |      | Handle pin                              |            |
| 20   |      | 645181 | 0    |      |      | Right rear covering                     |            |
| 21   |      | 230616 | 0    |      |      | Rod blocking pin                        |            |
| 22   |      | 230610 | 0    |      |      | Cover lifting pin                       |            |
| 23   |      | 218570 | 0    |      |      | Retaining ring OR 3118                  |            |
| 24   |      | 743124 | 0    |      |      | Percolating drawer                      | on request |
| 25   |      | 743126 | 0    |      |      | Hood                                    | on request |
| 26   |      | 743125 | 0    |      |      | Baskets runner                          | on request |
| 27   |      | 644545 | 0    |      |      | Basket runner strap                     | on request |
| 28   |      | 234093 | 0    |      |      | Handle                                  | on request |
| 29   |      | 643277 | 0    |      |      | Machine back                            | on request |
| 30   |      | 743111 | 0    |      |      | Frame                                   | on request |
| 31   |      | 267610 | 0    |      |      | CLIPS stopper                           |            |
| 32   |      | 743123 | 0    |      |      | Tank filter                             | on request |
| 33   |      | 230617 | 0    |      |      | Panel fixing pin                        |            |
| 34   |      | 743122 | 0    |      |      | Pump suction filter                     | on request |

|        |                              |        |                                  |        |        |
|--------|------------------------------|--------|----------------------------------|--------|--------|
| Mod. A | <b>LC 50</b><br><b>LC 65</b> | Mod. B | <b>LC 50-3</b><br><b>LC 65-3</b> | Mod. C | Mod. D |
| Mod. E |                              | Mod. F |                                  | Mod. G | Mod. H |



# SPARE PARTS LIST

3111 Общепит

TABLE

9140370

REVISIONED  
20.02.2008

Pag. 3

01/01/1997

VALID FROM  
vsezip.ru

+7(812)987-08-81

| POS. | MOD. | CODE   | REF. | REF. | REF. | DESCRIPTION                                      | NOTES      | Euro |
|------|------|--------|------|------|------|--|------------|------|
| 35   |      | 743115 | 0    |      |      | Right side panel                                 | on request |      |
| 36   |      | 743116 | 0    |      |      | Left side panel                                  | on request |      |
| 37   |      | 743117 | 0    |      |      | Upper front panel                                | on request |      |
| 38   |      | 230618 | 0    |      |      | Front panel pin                                  |            |      |
| 39   | A    | 743118 | 0    |      |      | Lower front panel                                | on request |      |
|      | B    | 743119 | 0    |      |      | Lower front panel                                | on request |      |
| 40   |      | 270301 | 0    |      |      | Rinse aid stopper                                |            |      |
| 41   |      | 260994 | 0    |      |      | Rinse-aid black door                             |            |      |
| 42   |      | 260998 | 0    |      |      | Flat plastic basket H=110                        |            |      |
| 43   |      | 260999 | 0    |      |      | Cutlery container                                |            |      |
| 44   |      | 260997 | 0    |      |      | Dish basket 18 dinner plates 16 rimp soup plates |            |      |
| 45   |      | 222609 | 0    |      |      | Levelling foot                                   |            |      |

The prices of the above spare parts may have changed.  
 Before committing to purchase, please contact the sales dept,  
 to receive price confirmation and availability.

|        |                              |        |                                  |        |        |
|--------|------------------------------|--------|----------------------------------|--------|--------|
| Mod. A | <b>LC 50</b><br><b>LC 65</b> | Mod. B | <b>LC 50-3</b><br><b>LC 65-3</b> | Mod. C | Mod. D |
| Mod. E |                              | Mod. F |                                  | Mod. G | Mod. H |