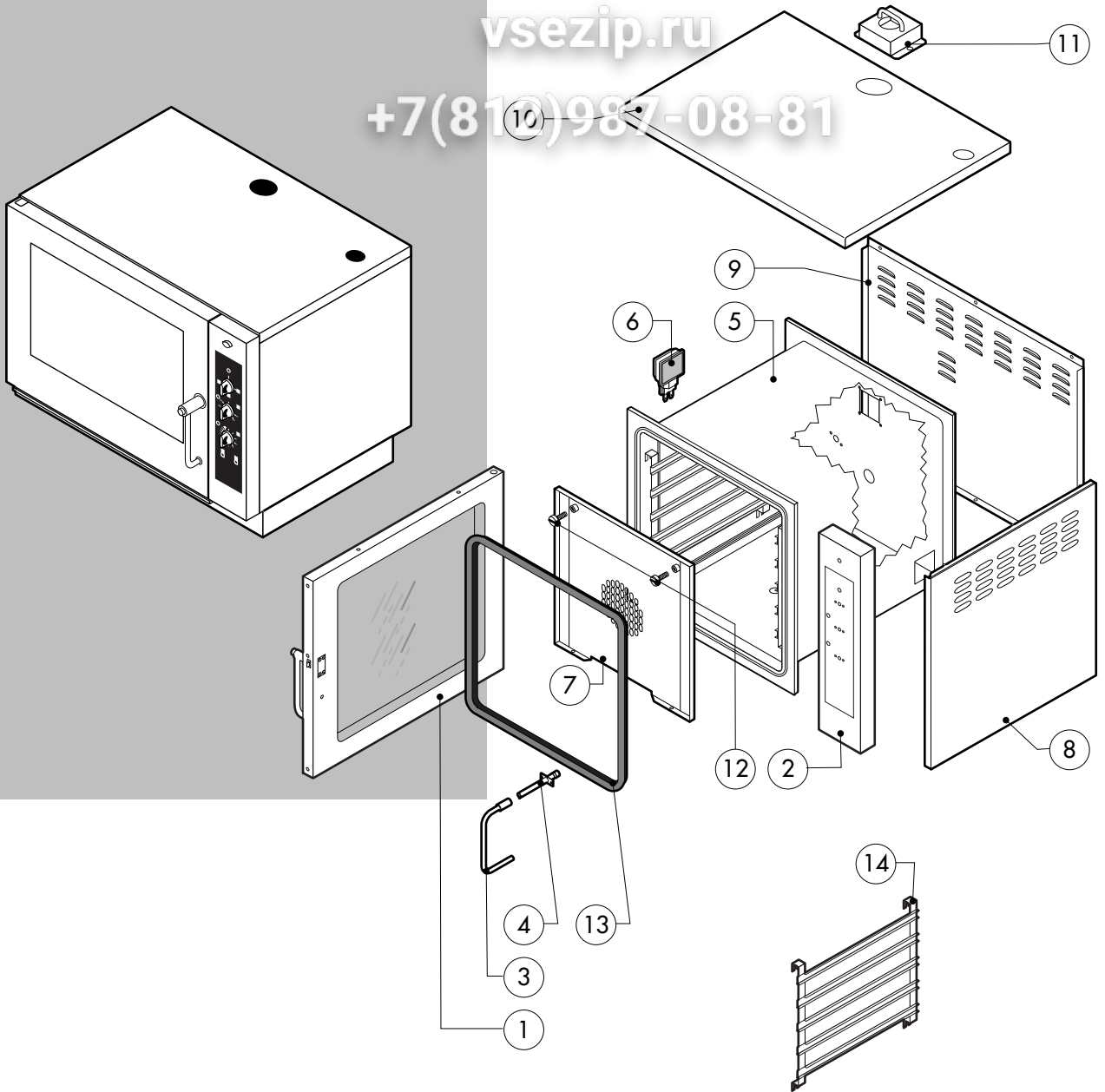


Зип Оффепит

vsezip.ru

+7(810)987-08-81

016.40.186.136 070705 DONADINI srl



| POS. | CODE | PIECES | DESCRIPTION |
|------|-----------|--------|---------------------------|
| 1 | R18100010 | 1 | DOOR ASSEMBLY |
| 2 | R18201110 | 1 | CONTROL PANEL |
| 3 | R18200540 | 1 | SPRITZER EXTENSION |
| 4 | R18201430 | 1 | SPRITZER UNION |
| 5 | R18100330 | 1 | COOKING CABINET ASSEMBLY |
| 6 | R65270510 | 1 | LAMP COVER |
| 7 | R18402080 | 1 | FAN GUARD PANEL ASSEMBLY |
| 8 | R18402170 | 2 | SIDE PANEL |
| 9 | R18402160 | 1 | REAR PANEL |
| 10 | R18403530 | 1 | COVER PANEL |
| 11 | R18404000 | 1 | DRAINAGE PIPE PROTECTION |
| 12 | R58006400 | 2 | FAN GUARD FASTENING SCREW |
| 13 | R70044340 | 1 | FRONT GASKET |
| 14 | R17200340 | 2 | REMOVABLE RACK |
| | | | |
| | | | |
| | | | |
| | | | |
| | | | |
| | | | |
| | | | |
| | | | |

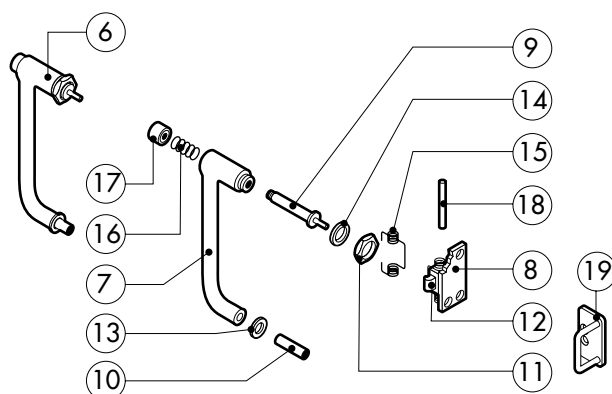
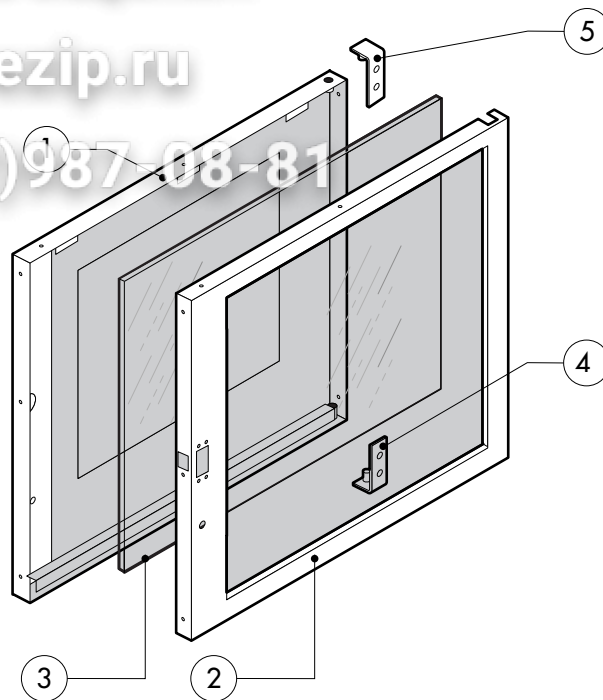
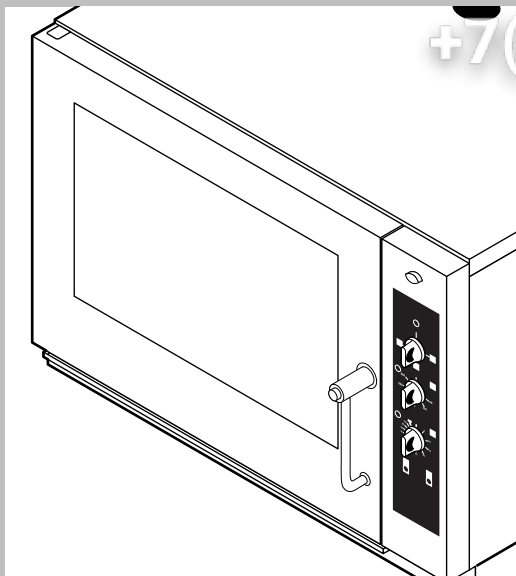
| POS. | CODE | PIECES | DESCRIPTION |
|------|------|--------|-------------|
| | | | |
| | | | |
| | | | |
| | | | |
| | | | |
| | | | |
| | | | |
| | | | |
| | | | |
| | | | |
| | | | |
| | | | |
| | | | |
| | | | |
| | | | |
| | | | |
| | | | |
| | | | |
| | | | |
| | | | |
| | | | |

Зип Общежит

vsezip.ru

+7(812)987-08-81

016.40.186.0137 070705 DONADINI srl



| POS. | CODE | PIECES | DESCRIPTION |
|------|-----------|--------|-------------------------------------|
| 1 | R18200930 | 1 | DOOR |
| 2 | R18402310 | 1 | INNER DOOR PANEL |
| 3 | R71201330 | 1 | FRONTAL DOOR GLASS |
| 4 | R18201260 | 1 | LOWER DOOR HINGE |
| 5 | R18201270 | 1 | UPPER DOOR HINGE |
| 6 | R69015000 | 1 | DOOR HANDLE ASSEMBLY |
| 7 | R09200230 | 1 | DOOR HANDLE |
| 8 | R10100110 | 1 | PRONG FLANGE |
| 9 | R58003240 | 1 | DOOR HANDLE BUTTON ROD |
| 10 | R58004270 | 1 | DOOR HANDLE SPACER |
| 11 | R58004830 | 1 | RING NUT M18x1 |
| 12 | R58005050 | 1 | DOOR HANDLE PRONG |
| 13 | R58005340 | 1 | DOOR HANDLE LOWER INSULATION WASHER |
| 14 | R58005350 | 1 | DOOR HANDLE UPPER INSULATION WASHER |
| 15 | R61620012 | 1 | DOOR HANDLE CATCH SPRING |
| 16 | R61620041 | 1 | DOOR HANDLE BUTTON SPRING |
| 17 | R69031190 | 1 | DOOR HANDLE PUSH BUTTON |
| 18 | R58002160 | 1 | DOOR HANDLE PRONG PIN |
| 19 | R18200940 | 1 | DOOR HANDLE PRONG COUPLER |

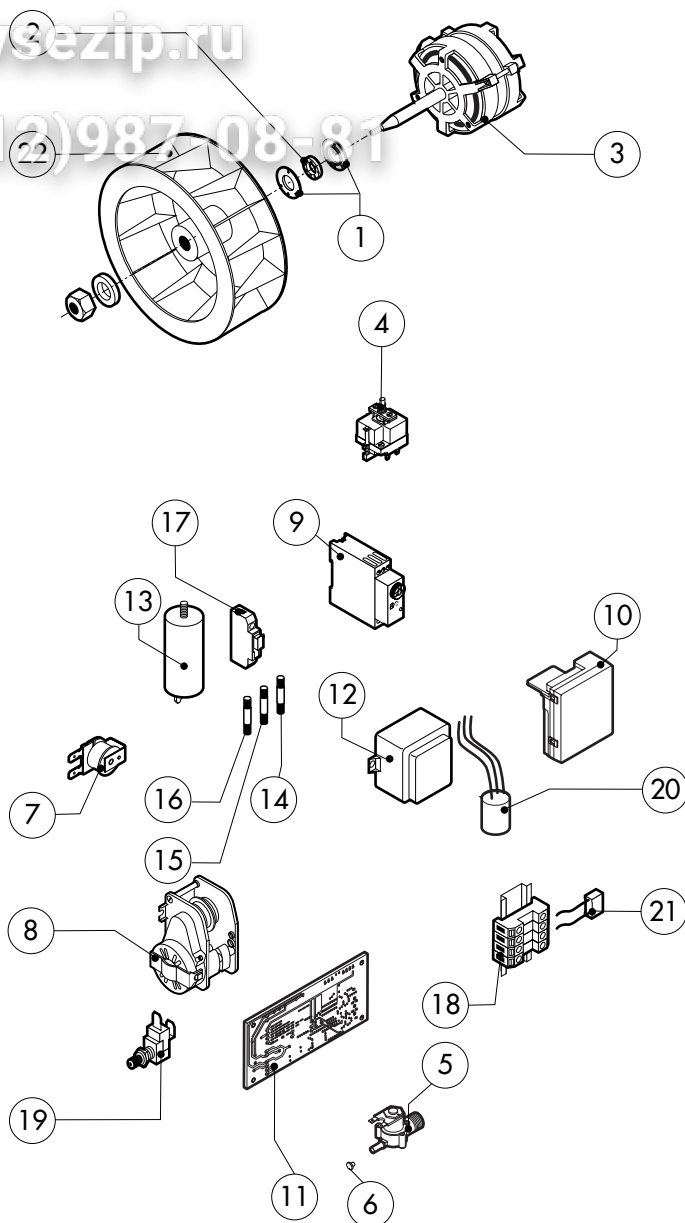
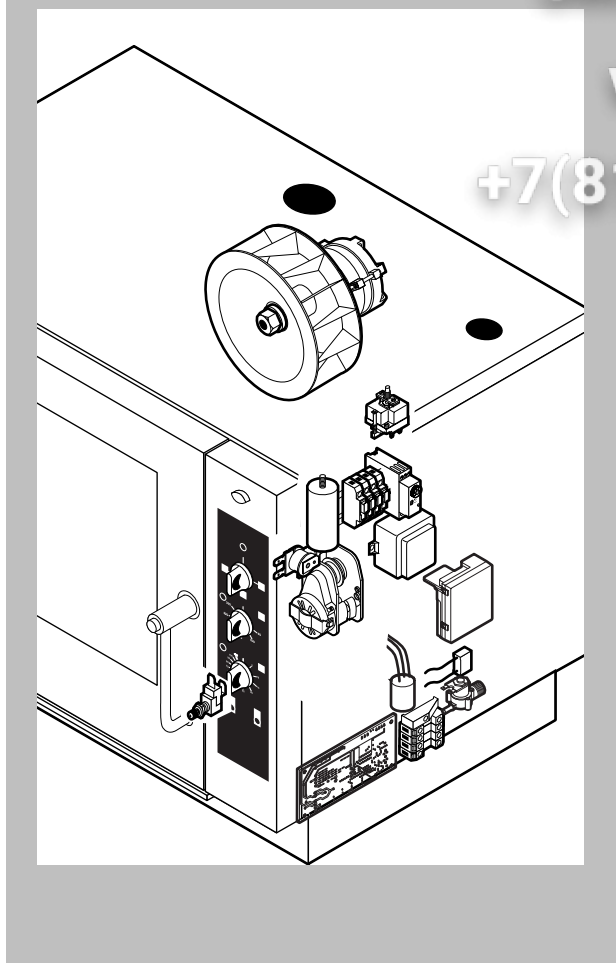
| POS. | CODE | PIECES | DESCRIPTION |
|------|------|--------|-------------|
| | | | |
| | | | |
| | | | |
| | | | |
| | | | |
| | | | |
| | | | |
| | | | |
| | | | |
| | | | |
| | | | |
| | | | |
| | | | |
| | | | |
| | | | |
| | | | |
| | | | |
| | | | |

Зип Общепит

v3ezip.ru

+7(812)987-08-81

016.40.186.0138 130705 DONADINI srl



| POS. | CODE | PIECES | DESCRIPTION |
|------|------------|--------|------------------------------|
| 1 | R58005500 | 1 | MOTOR GASKET BRASS FLANGE |
| 2 | R70020020 | 1 | MOTOR GASKET |
| 3 | *R65041000 | 1 | MOTOR 200W |
| 4 | R65070350 | 1 | CHAMBER SAFETY THERMOSTAT |
| 5 | R65110200 | 1 | SOLENOID VALVE 220V 50HZ |
| 6 | R65110500 | 1 | 10 LT/H WATER FLOW REDUCER |
| 7 | R65330010 | 1 | BUZZER |
| 8 | R65090190 | 1 | REVERSING SWITCH 8' |
| 9 | R65090450 | 1 | S.GENERATOR DRAIN TIMER |
| 10 | R63060120 | 1 | BURNER IGNITION PANEL |
| 11 | R63130020 | 1 | GAS BURNER FAN MOTOR PCBOARD |
| 12 | R65180770 | 1 | TRANSFORMER 50VA |
| 13 | *R65190180 | 1 | CAPACITOR 10 μF |
| 14 | R65200200 | 1 | FUSE 2A |
| 15 | R65200120 | 1 | FUSE 1A |
| 16 | R65200040 | 1 | FUSE 0.500A (T) |
| 17 | R65210020 | 3 | FUSE CARRIER |
| 18 | R65220090 | 1 | TERMINAL BOARD |
| 19 | R65260540 | 1 | DOOR SWITCH |

| POS. | CODE | PIECES | DESCRIPTION |
|------|------------|--------|---------------------------|
| 20 | *R65280200 | 1 | INTERFERENCE SUPPRESSOR |
| 21 | *R65280130 | 1 | INTERFERENCE SUPPRESSOR |
| 22 | *R75400410 | 1 | FAN Ø 180x77/12 50HZ P.D. |
| | | | |
| | | | |
| | | | |
| | | | |
| | | | |
| | | | |
| | | | |
| | | | |
| | | | |
| | | | |
| | | | |
| | | | |
| | | | |
| | | | |
| | | | |
| | | | |
| | | | |
| | | | |
| | | | |
| | | | |
| | | | |
| | | | |
| | | | |

*COMPONENT SUBMITTED TO CHANGEMENTS CAUSED BY TENSION DIFFERENT FROM THE STANDARD [3N AC400V 50HZ]

EDIZIONE 0505

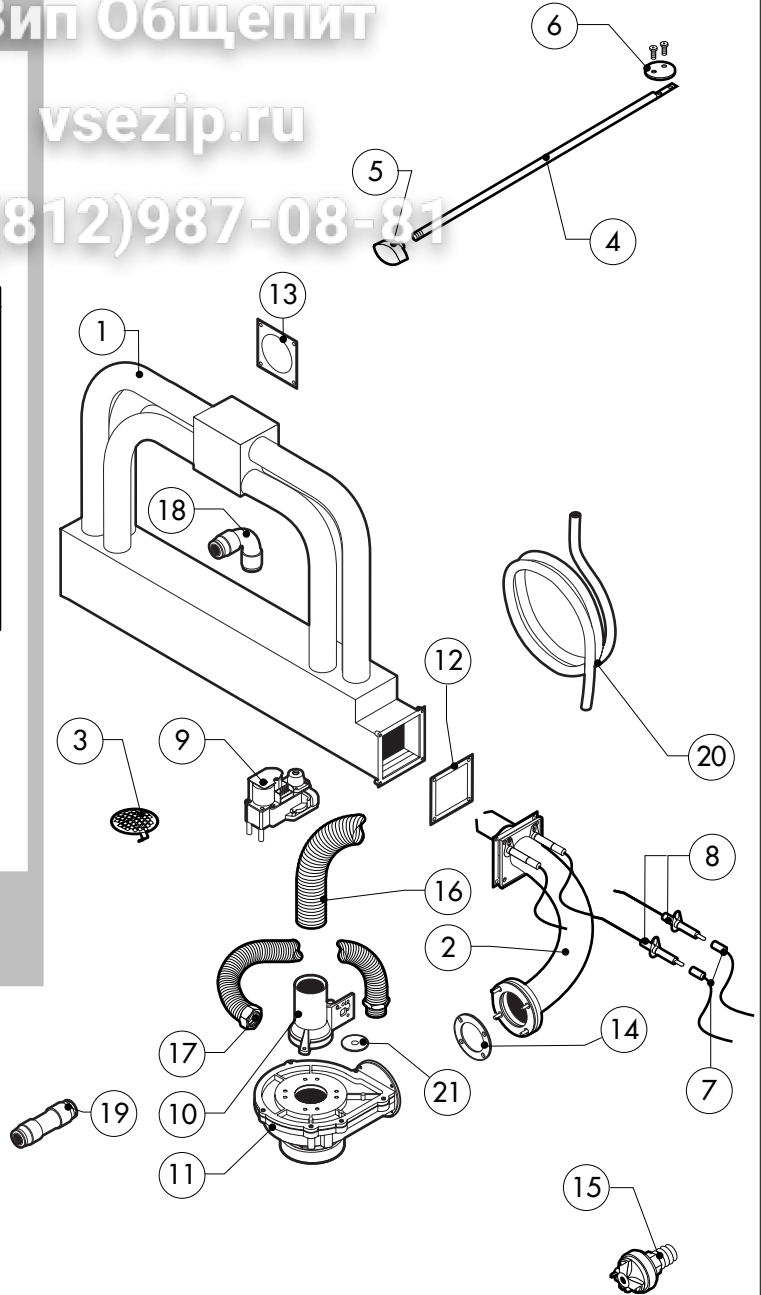
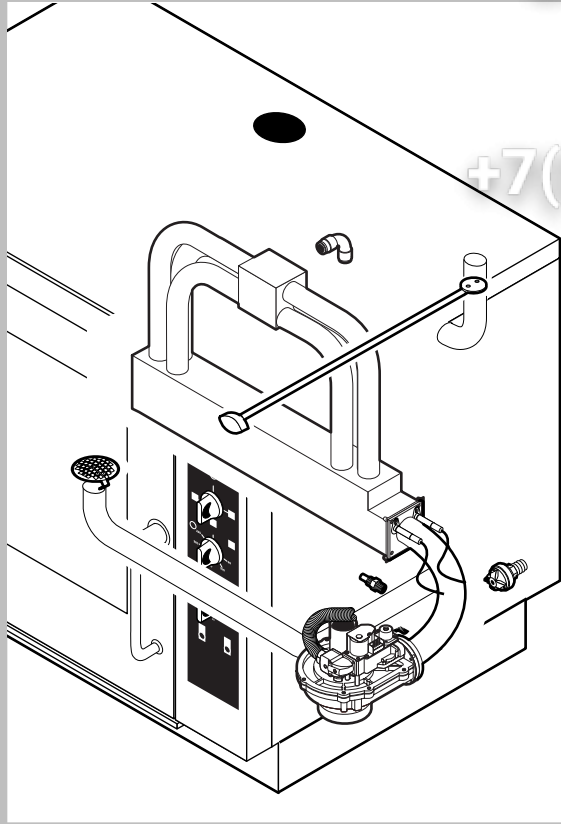
CG 051 M **tav. C**

Зип ОщепИТ

vsezip.ru

+7(812)987-08-81

016.40.186.01.39 070705 DONADINI srl



| POS. | CODE | PIECES | DESCRIPTION |
|------|-----------|--------|---|
| 1 | R18201491 | 1 | HEAT EXCHANGER ACCESSORIES INCLUDED |
| 2 | R18201570 | 1 | BURNER ASSEMBLY |
| 3 | R09201820 | 1 | DRAIN FILTER |
| 4 | R58003780 | 1 | CHAMBER VENT ROD |
| 5 | R69010410 | 1 | STEAM OUTLET KNOB |
| 6 | R18400940 | 1 | CHAMBER VENT PLATE |
| 7 | R66110370 | 1 | FLAME IGNITION CABLE/FLAME SENSOR CABLE |
| 8 | R63050070 | 2 | IGNITOR |
| 9 | R63020170 | 1 | GAS SOLENOID VALVE |
| 10 | R63120020 | 1 | VENTURI TUBE |
| 11 | R63130010 | 1 | GAS BURNER FAN MOTOR |
| 12 | R63140000 | 2 | BURNER/HEAT EXCHANGER GASKET |
| 13 | R63140010 | 2 | HEAT EXCHANGER GASKET |
| 14 | R63140050 | 1 | BURNER/FAN MOTOR GASKET |
| 15 | R63070010 | 1 | GAS SAFETY PRESSURE SWITCH PG 901.61 |
| 16 | R77700046 | 1 | AIR INLET FLEXIBLE PIPE |
| 17 | R62180082 | 1 | GAS INLET FLEXIBLE PIPE |
| 18 | R62090478 | 1 | ELBOW MIDLING PIPE FITTING D.10 |
| 19 | R62090458 | 1 | STRAIGHT MIDLING PIPE FITTING D.10 |

| POS. | CODE | PIECES | DESCRIPTION |
|------|-----------|--------|---|
| 20 | R70070070 | 1 | PE D.10 MM X7 WATER FLEXIBLE PIPE (1 MT LONG) |
| 21 | R58004170 | 1 | ORIFICE (FOR VERSION LIQUID GAS) |
| | | | |
| | | | |
| | | | |
| | | | |
| | | | |
| | | | |
| | | | |
| | | | |
| | | | |
| | | | |
| | | | |
| | | | |
| | | | |
| | | | |
| | | | |
| | | | |
| | | | |
| | | | |
| | | | |
| | | | |
| | | | |
| | | | |
| | | | |

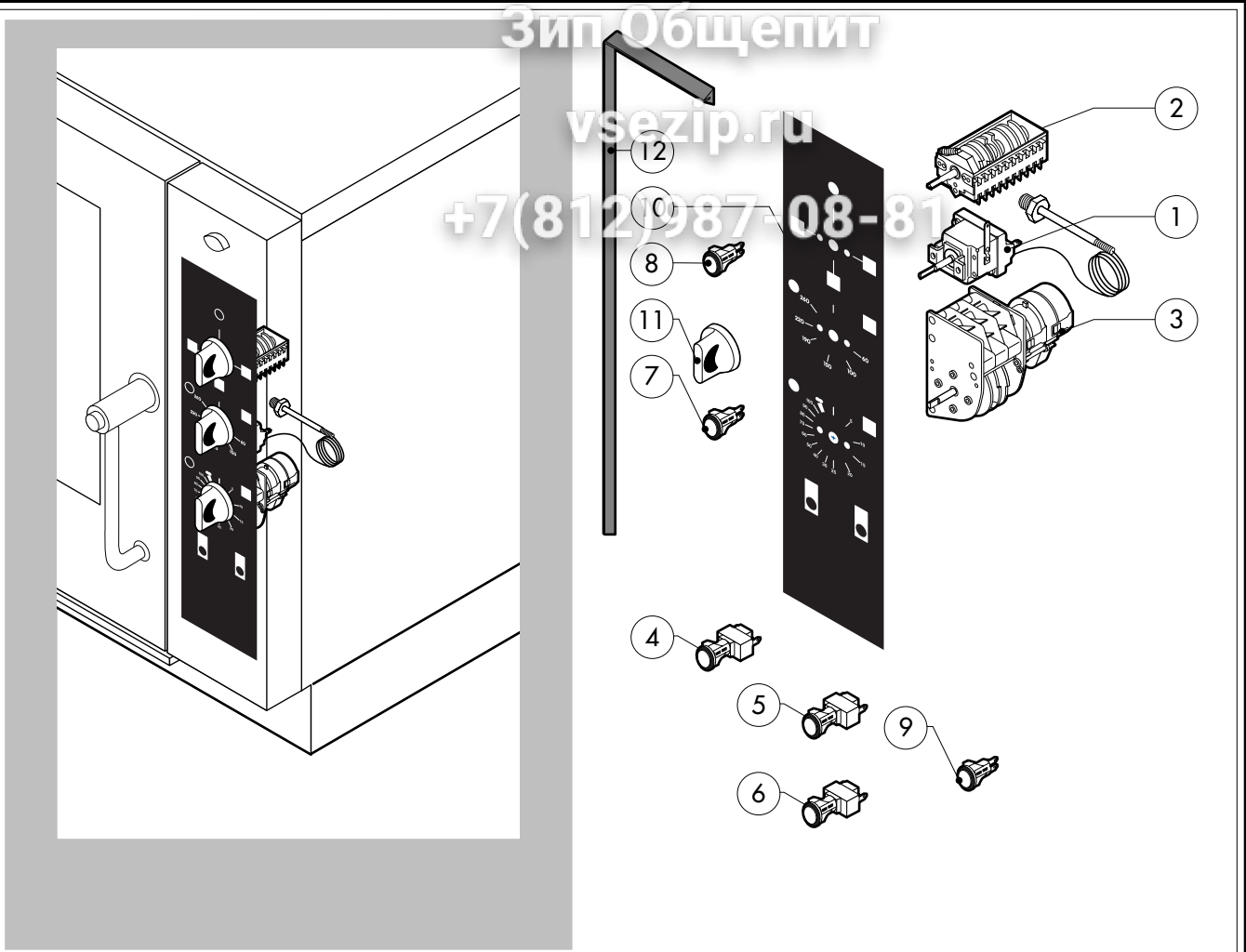
*COMPONENT SUBMITTED TO CHANGEMENTS CAUSED BY TENSION DIFFERENT FROM THE STANDARD (3N AC400V 50HZ)

016.40.186.01.40 070705 DONADINI s.r.l.

Зип Общепит

vsezip.ru

+7(812)987-08-81



| POS. | CODE | PIECES | DESCRIPTION |
|------|-----------|--------|-----------------------------|
| 1 | R65070360 | 1 | CABINET THERMOSTAT 0°/300°C |
| 2 | R65080010 | 1 | MAIN SELECTOR SWITCH |
| 3 | R65090020 | 1 | TIMER |
| 4 | R65260600 | 1 | SWITCH |
| 5 | R65260610 | 1 | HUMIDIFIER PUSH BUTTON |
| 6 | R65260620 | 1 | RESTORATION PUSH BUTTON |
| 7 | R65270150 | 2 | ORANGE INDICATING LIGHT |
| 8 | R65270160 | 1 | GREEN INDICATING LIGHT |
| 9 | R65270170 | 1 | RED INDICATING LIGHT |
| 10 | R67013410 | 1 | PLATE |
| 11 | R69030170 | 3 | KNOB |
| 12 | R70042960 | 1 | CONTROL PANEL GASKET |
| | | | |
| | | | |
| | | | |
| | | | |
| | | | |
| | | | |
| | | | |
| | | | |
| | | | |

| POS. | CODE | PIECES | DESCRIPTION |
|------|------|--------|-------------|
| | | | |
| | | | |
| | | | |
| | | | |
| | | | |
| | | | |
| | | | |
| | | | |
| | | | |
| | | | |
| | | | |
| | | | |
| | | | |
| | | | |
| | | | |
| | | | |
| | | | |
| | | | |
| | | | |
| | | | |
| | | | |
| | | | |
| | | | |