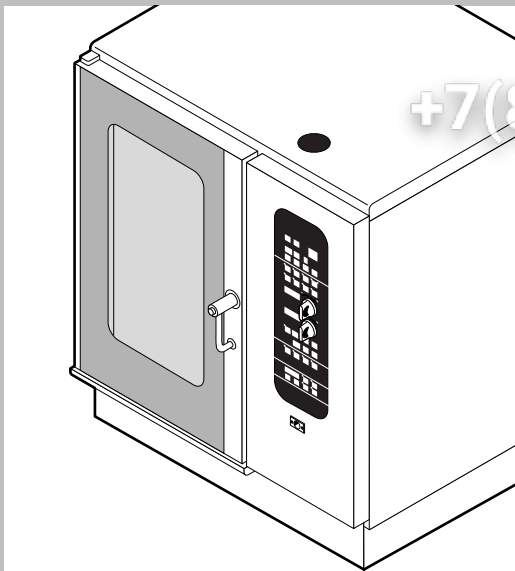
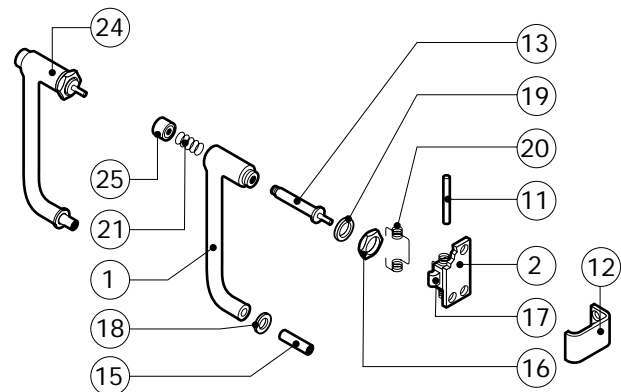
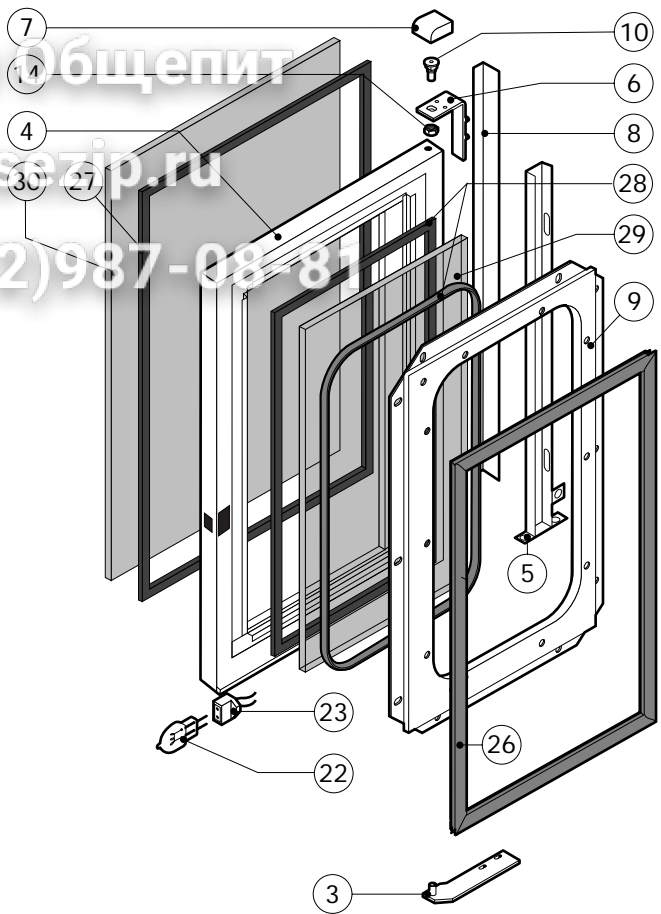


POS.	CODE	PIECES	DESCRIPTION
1	R10206480	1	SPRITZER EXTENSION
2	R10206540	1	SPRITZER UNION
3	R14100310	1	DOOR ASSEMBLY WITH LIGHTS
4	R14200030	1	COOKING CABINET ASSEMBLY
5	R14200420	1	COVER PANEL
6	R14200860	1	FAN GUARD PANEL ASSEMBLY
7	R14201470	1	RIGHT SIDE PANEL
8	R14201480	1	LEFT SIDE PANEL
9	R14201610	1	REAR PANEL
10	R14202920	1	CONTROL PANEL
11	R58006400	4	FAN GUARD FASTENING SCREW
12	R70042870	1	FRONT GASKET
13	R75300020	1	FAN GUARD GRID Ø 120
14	R75300060	1	FAN GUARD GRID Ø 270

POS.	CODE	PIECES	DESCRIPTION

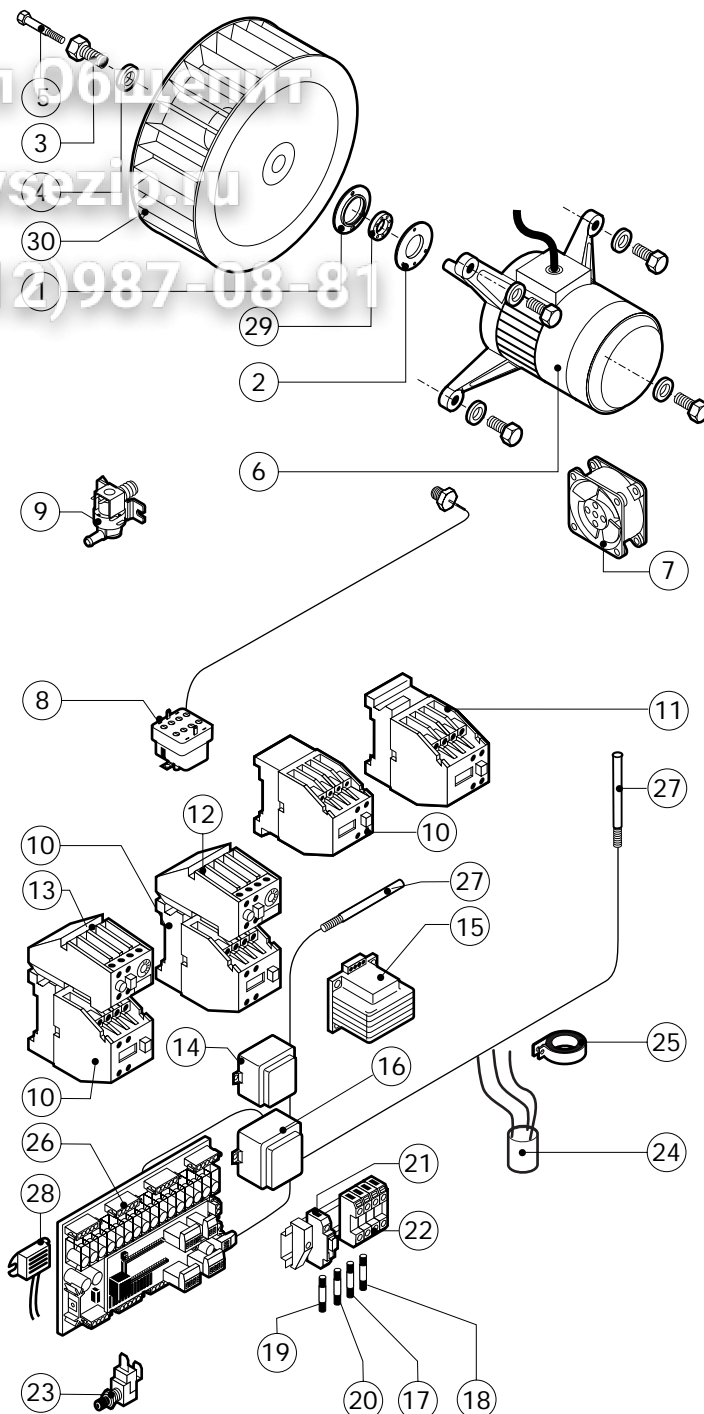
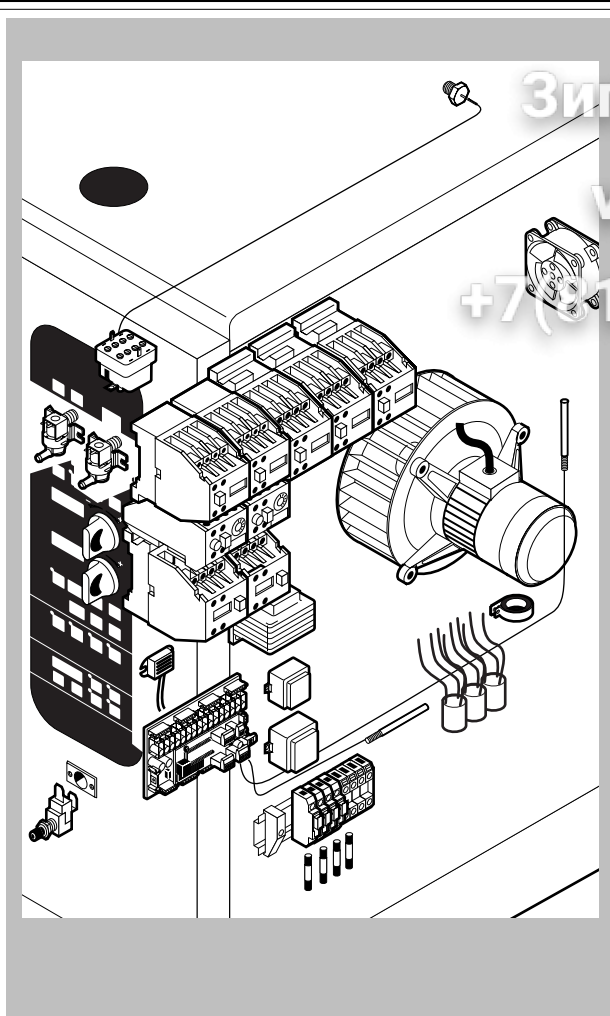


Зип-Общепит
 vsezip.ru
 +7(812)987-08-81



POS.	CODE	PIECES	DESCRIPTION
1	R09200230	1	DOOR HANDLE
2	R10100110	1	PRONG FLANGE
3	R12212250	1	LOWER DOOR HINGE
4	R14200720	1	DOOR
5	R14200790	1	LEFT LAMP COVER
6	R14200820	1	UPPER DOOR HINGE
7	R14200830	1	DOOR HINGE COVER
8	R14403440	1	LEFT GLASS FIXING BRACKET
9	R14403450	1	INNER DOOR PANEL
10	R58002150	1	HINGE PIN
11	R58002160	1	DOOR HANDLE PRONG PIN
12	R58002760	1	DOOR HANDLE PRONG COUPLER
13	R58003500	1	DOOR HANDLE BUTTON ROD
14	R58004050	1	NUT FOR UPPER DOOR HINGE
15	R58004320	1	DOOR HANDLE SPACER
16	R58004830	1	RING NUT M18x1
17	R58005050	1	DOOR HANDLE PRONG
18	R58005340	1	DOOR HANDLE LOWER INSULATION WASHER
19	R58005350	1	DOOR HANDLE UPPER INSULATION WASHER

POS.	CODE	PIECES	DESCRIPTION
20	R61620012	1	DOOR HANDLE CATCH SPRING
21	R61620041	1	DOOR HANDLE BUTTON SPRING
22	R65270020	2	LIGHT 20W 12V G4
23	R65270400	2	LIGHT SOCKET
24	R69015080	1	DOOR HANDLE ASSEMBLY
25	R69031190	1	DOOR HANDLE PUSH BUTTON
26	R70042570	1	DOOR GASKET
27	R70042670	1	FRONT GLASS GASKET
28	R70042770	1	REAR GLASS GASKET
29	R71200060	1	DOOR GLASS
30	R71200730	1	DOOR GLASS



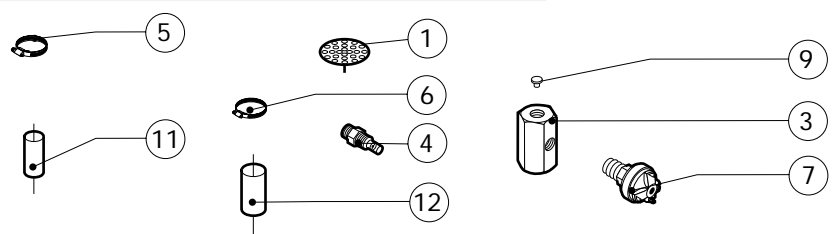
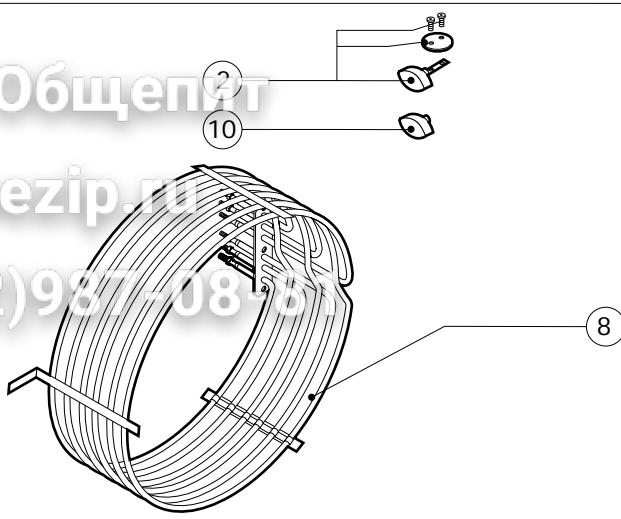
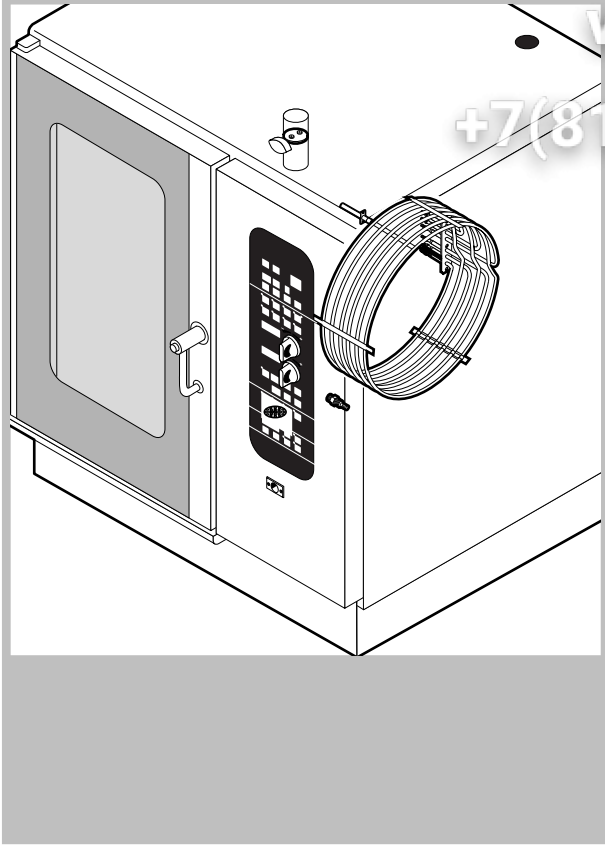
POS.	CODE	PIECES	DESCRIPTION
1	R58003840	1	MOTOR GASKET BRASS FLANGE
2	R58003850	1	MOTOR GASKET BRASS COUNTER FLANGE
3	R58004000	1	FAN SCREW M12x1.5 SX
4	R58004010	1	FAN WASHER Ø 30/12.5
5	R61020562	1	FAN SCREW TE A2 M6x55
6	R65040051	1	MOTOR HP 1/0.3 KIT
7	R65060050	1	COMPONENTS VENTILATION MOTOR Ø 120
8	R65070070	1	CHAMBER SAFETY THERMOSTAT
9	R65110010	2	SOLENOID VALVE 220V 50HZ
10	R65140150	4	CONTACTOR 3TF4011-OAUO 240V
11	R65140240	3	CONTACTOR 3TF4211-OAUO 240V
12	R65160110	1	THERMIC PROTECTION 3UA5000-0J 0.63-1A
13	R65160120	1	THERMIC PROTECTION 3UA5000-1C 1.6-2.5A
14	R65180410	1	TRANSFORMER 16VA
15	R65180430	1	TRANSFORMER 40VA
16	R65180650	1	TRANSFORMER 23VA
17	R65200086	1	FUSE 0.125A (T)
18	R65200200	1	FUSE 2A
19	R65200320	1	FUSE 0.2A (T)

POS.	CODE	PIECES	DESCRIPTION
20	R65200350	1	FUSE 0.4A (T)
21	R65210020	4	FUSE CARRIER
22	R65220080	1	TERMINAL BOARD
23	R65260540	1	DOOR SWITCH
24	R65280200	3	INTERFERENCE SUPPRESSOR
25	R65280450	1	FERRITE
26	R65300730	1	RELAYS P.C. BOARD
27	R65325000	2	PROBE PT100
28	R65330020	1	BUZZER
29	R70020050	1	MOTOR GASKET
30	R75400290	1	FAN Ø 300x120/20 50HZ P.D. KIT

Зип Общепит

vsezip.ru

+7(812)987-08481



POS.	CODE	PIECES	DESCRIPTION
1	R10201700	1	DRAIN FILTER
2	R14201410	1	STEAM OUTLET THROTTLE ASSEMBLY
3	R58003390	1	PRESSURE SWITCH BRASS PIPE FITTING
4	R58006100	1	STEAM QUENCHING NOZZLE Ø 1.5
5	R61630011	6	METAL CLAMPS 12-22/9
6	R61630081	2	METAL CLAMPS 20-32/9
7	R63070050	1	WATER SAFETY PRESSURE SWITCH 1/8" 0.5-0.35 BAR
8	R65011310	1	CHAMBER HEATING ELEMENT 15000W
9	R65110410	1	FLOW REDUCER
10	R69010410	1	STEAM OUTLET KNOB
11	R70060080	1	SILICON COUPLING Ø 13
12	R70060090	2	SILICON COUPLING Ø 25

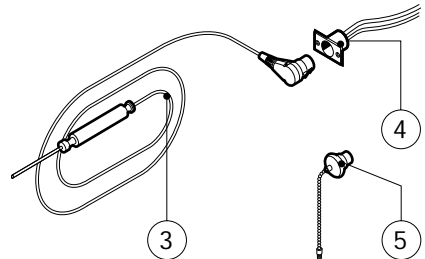
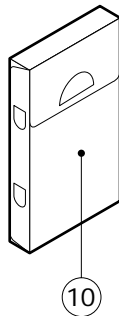
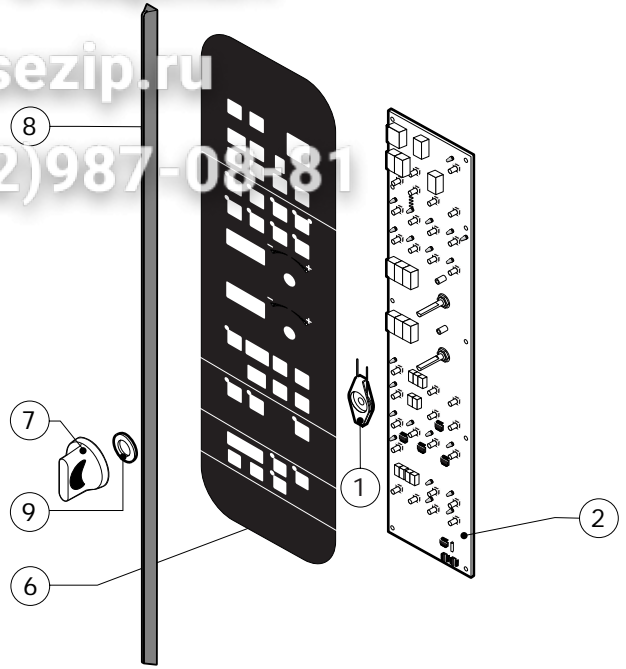
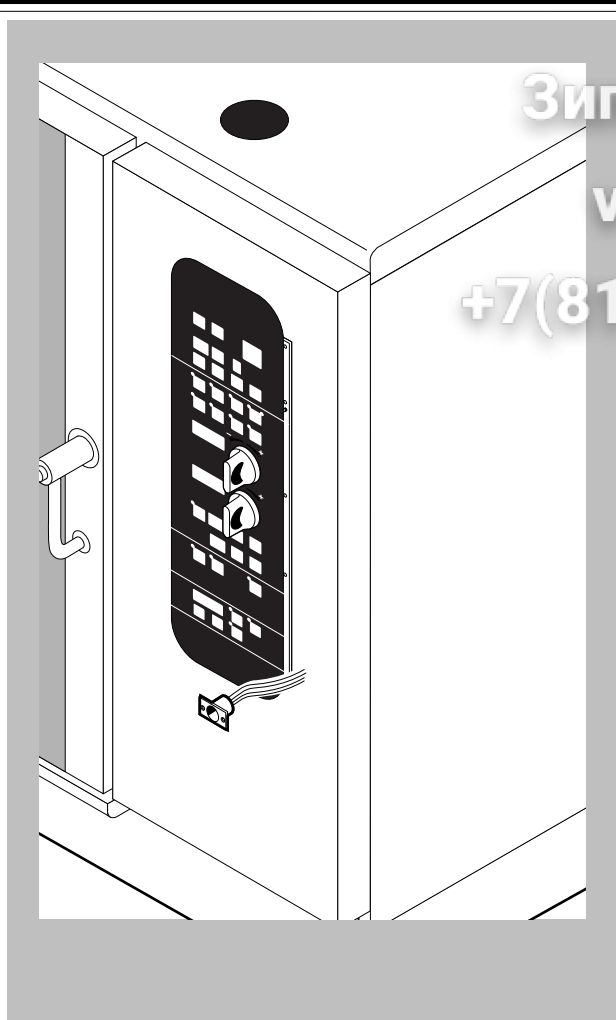
POS.	CODE	PIECES	DESCRIPTION

016.40.121 0990 201099 DONADINI & C

Зип Общепит

vsezip.ru

+7(812)987-08-81



POS.	CODE	PIECES	DESCRIPTION
1	R10205120	2	KNOB SPRING
2	R65300710	1	CONTROL PANEL P.C. BOARD
3	R65320900	1	CORE TEMPERATURE PROBE
4	R65320920	1	CORE TEMPERATURE PROBE FEMALE CONNECTOR
5	R65321020	1	COVER FOR FEMALE CONNECTOR
6	R67401300	1	MARENO PLATE
7	R69030170	2	KNOB KIT
8	R70042970	1	CONTROL PANEL GASKET
9	R70050020	4	KNOB GASKET
10	R86020420	1	CORE TEMPERATURE PROBE BOX

POS.	CODE	PIECES	DESCRIPTION