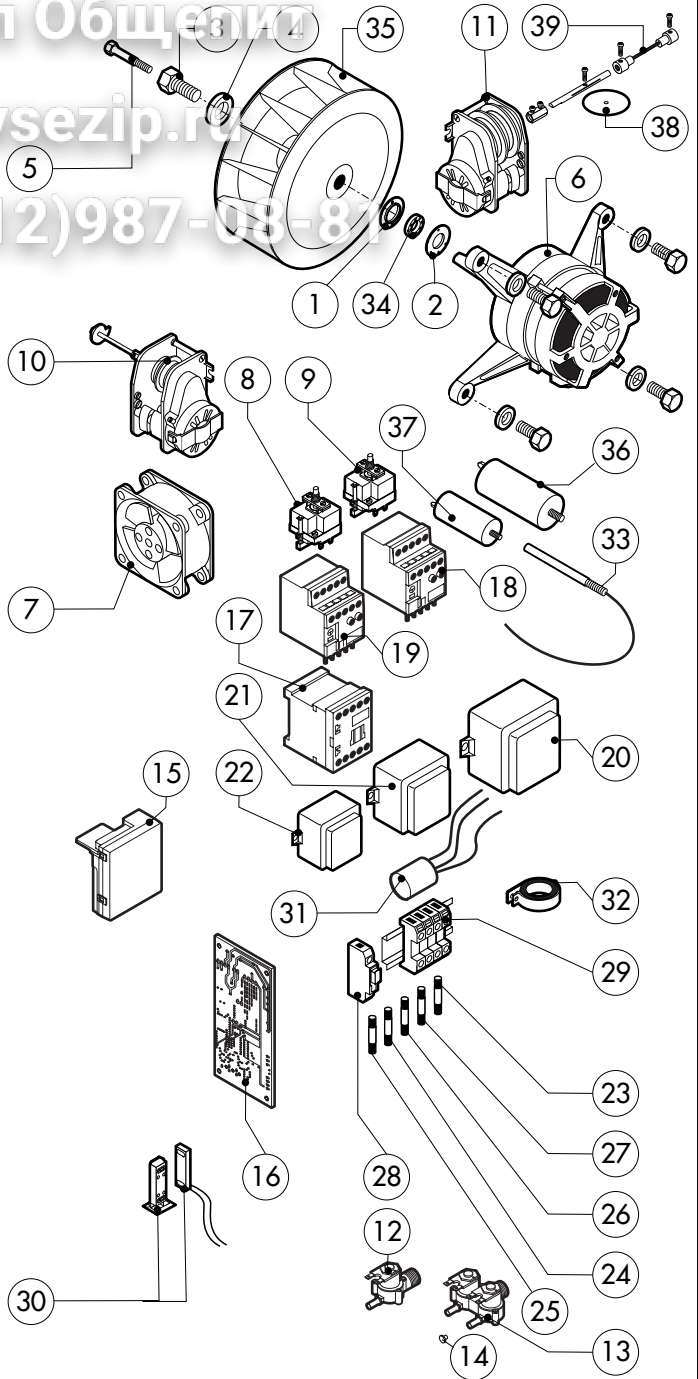
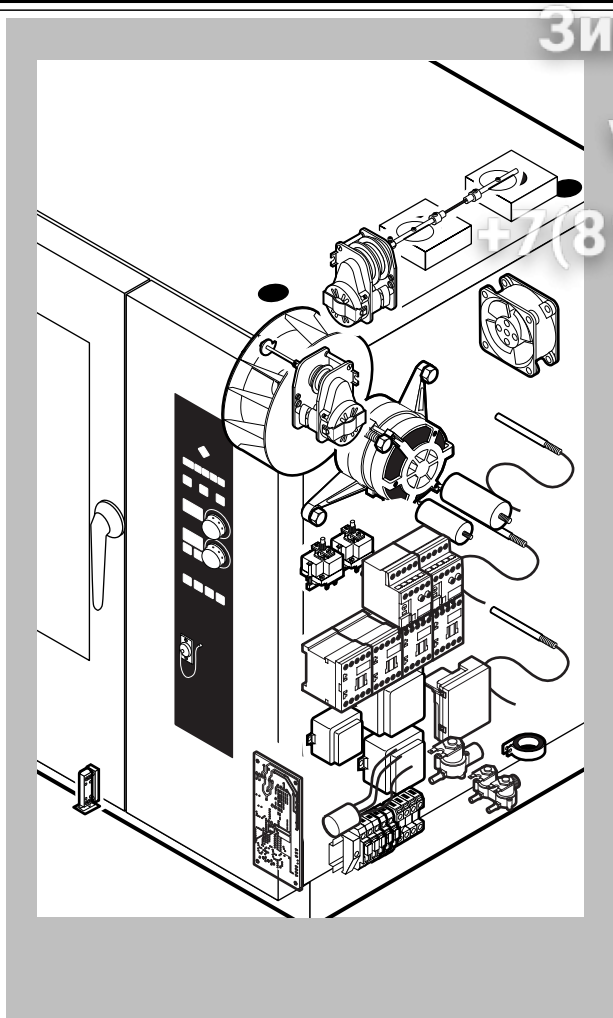


| POS. | CODE      | PIECES | DESCRIPTION                 |
|------|-----------|--------|-----------------------------|
| 1    | R11101360 | 1      | DOOR                        |
| 2    | R11207360 | 1      | INNER DOOR PANEL            |
| 3    | R11100140 | 1      | INNER DOOR GLASS            |
| 4    | R58001760 | 2      | INNER GLASS SOLID HINGE     |
| 5    | R58001770 | 2      | INNER GLASS HINGE PIN       |
| 6    | R58001780 | 2      | INNER GLASS CATCH KIT       |
| 7    | R11401340 | 1      | TOP "C" PROFILE             |
| 8    | R11401360 | 1      | LOWER "C" PROFILE           |
| 9    | R11207250 | 1      | LOWER DOOR HINGE            |
| 10   | R58002520 | 1      | LOWER HINGE PIN             |
| 11   | R11200560 | 1      | UPPER DOOR HINGE            |
| 12   | R58002150 | 1      | HINGE PIN                   |
| 13   | R58004050 | 2      | NUT FOR UPPER DOOR HINGE    |
| 14   | R10401710 | 1      | WASHER FOR UPPER DOOR HINGE |
| 15   | R70050100 | 6      | GLASS SILICON SPACERS       |
| 16   | R70044150 | 1      | GLASS GASKET                |
| 17   | R66110320 | 1      | DOOR LAMPS CABLE SET        |
| 18   | R11401440 | 2      | LAMP COVER                  |
| 19   | R71500150 | 2      | GLASS LAMP                  |

| POS. | CODE      | PIECES | DESCRIPTION                    |
|------|-----------|--------|--------------------------------|
| 20   | R70044200 | 2      | LAMP GASKET                    |
| 21   | R11401450 | 2      | GLASS HOLDER LAMP FLANGE       |
| 22   | R65270020 | 2      | LIGHT 20W 12V G4               |
| 23   | R65270450 | 2      | LIGHT SOCKET                   |
| 24   | R65260750 | 1      | LAMPS CONTACT BLOCK            |
| 25   | R66110300 | 1      | LAMPS CONTACT CABLE SET        |
| 26   | R11100300 | 1      | DOOR HANDLE ASSEMBLY           |
| 27   | R69010260 | 1      | DOOR LATCH 1 STEP              |
| 28   | R69010270 | 1      | DOOR LATCH 2 STEP              |
| 29   | R69010250 | 1      | DOOR CATCH KIT                 |
| 30   | R69010630 | 1      | INNER DOOR CATCH PLASTIC COVER |
| 31   | R61620132 | 1      | PRONG FLANGE                   |
|      |           |        |                                |
|      |           |        |                                |
|      |           |        |                                |
|      |           |        |                                |
|      |           |        |                                |
|      |           |        |                                |
|      |           |        |                                |
|      |           |        |                                |
|      |           |        |                                |

Зип Обществ  
 vsezip.ru  
 +7(812)987-08-87



| POS. | CODE       | PIECES | DESCRIPTION                                |
|------|------------|--------|--|
| 1    | R58003840  | 1      | MOTOR GASKET BRASS FLANGE                  |
| 2    | R58003850  | 1      | MOTOR GASKET BRASS COUNTER FLANGE          |
| 3    | R58004000  | 1      | FAN SCREW M12x1.5 SX                       |
| 4    | R58004010  | 1      | FAN WASHER Ø 30/12.5                       |
| 5    | R61020562  | 1      | FAN SCREW TE A2 M6x55                      |
| 6    | *R65040031 | 1      | MOTOR Ø55/Ø15 KW KIT                       |
| 7    | R65060050  | 2      | COMPONENTS VENTILATION MOTOR Ø 120         |
| 8    | R65070350  | 1      | CHAMBER SAFETY THERMOSTAT                  |
| 9    | R65070081  | 1      | STEAM GENERATOR SAFETY THERMOSTAT          |
| 10   | R65095000  | 1      | DAMPER SYSTEM                              |
| 11   | R65090240  | 1      | DRAIN MOTOR                                |
| 12   | R65110200  | 1      | SOLENOID VALVE 220V 50HZ                   |
| 13   | R65110210  | 1      | SOLENOID VALVE 220V 50HZ WITH FLOW REDUCER |
| 14   | R65110510  | 1      | 15 LT/H WATER FLOW REDUCER                 |
| 15   | R63060120  | 1      | BURNER IGNITION PANEL                      |
| 16   | R63130020  | 1      | GAS BURNER FAN MOTOR PCBOARD               |
| 17   | *R65140380 | 4      | CONTACTOR 3RT1016-1AP02 240V               |
| 18   | *R65160580 | 1      | THERMIC PROTECTION 3RU1116-1CB0 1,8-2,5A   |
| 19   | *R65160600 | 1      | THERMIC PROTECTION 3RU1116-1FB0 3,5-5,0A   |
| 20   | R65180770  | 1      | TRANSFORMER 50VA                           |
| 21   | R65180430  | 1      | TRANSFORMER 40VA                           |

| POS. | CODE       | PIECES | DESCRIPTION                    |
|------|------------|--------|--------------------------------|
| 22   | R65180420  | 1      | TRANSFORMER 20VA               |
| 23   | R65200086  | 1      | FUSE 0.125A (T)                |
| 24   | R65200200  | 1      | FUSE 2A                        |
| 25   | R65200120  | 1      | FUSE 1A                        |
| 26   | R65200040  | 1      | FUSE Ø 500A (T)                |
| 27   | R65200040  | 1      | FUSE 0.25A (T)                 |
| 28   | R65210020  | 5      | FUSE CARRIER                   |
| 29   | R65220220  | 1      | TERMINAL BOARD                 |
| 30   | R65265100  | 1      | DOOR SWITCH                    |
| 31   | *R65280210 | 1      | INTERFERENCE SUPPRESSOR        |
| 32   | *R65280450 | 1      | FERRITE                        |
| 33   | R65325000  | 3      | PROBE PT100                    |
| 34   | R70020050  | 1      | MOTOR GASKET                   |
| 35   | *R75400440 | 1      | FAN Ø 350x114/12 50HZ P.D. KIT |
| 36   | *R65190030 | 1      | CAPACITOR 16 µF                |
| 37   | *R65190090 | 1      | CAPACITOR 12.5 µF              |
| 38   | R11402840  | 2      | SMOKES OUTLET PLATE            |
| 39   | R61660000  | 1      | CARDAN JOINT                   |

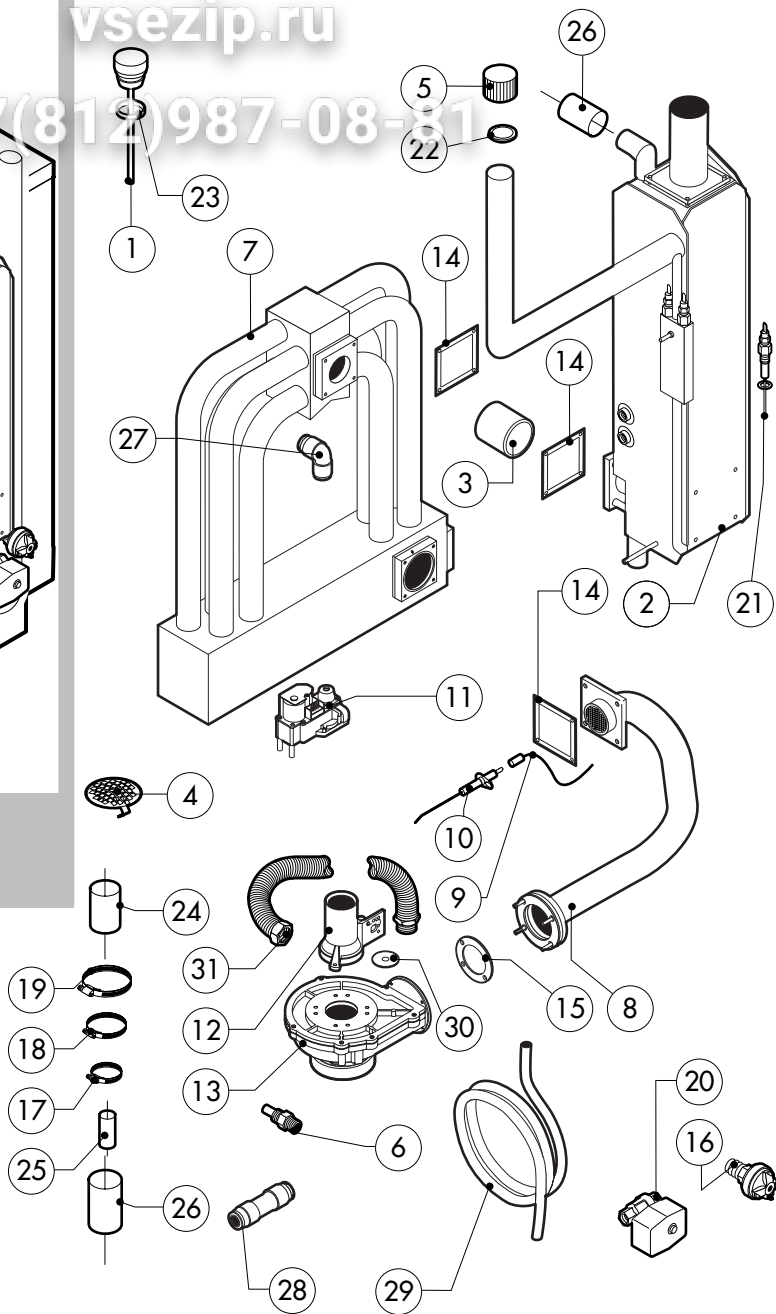
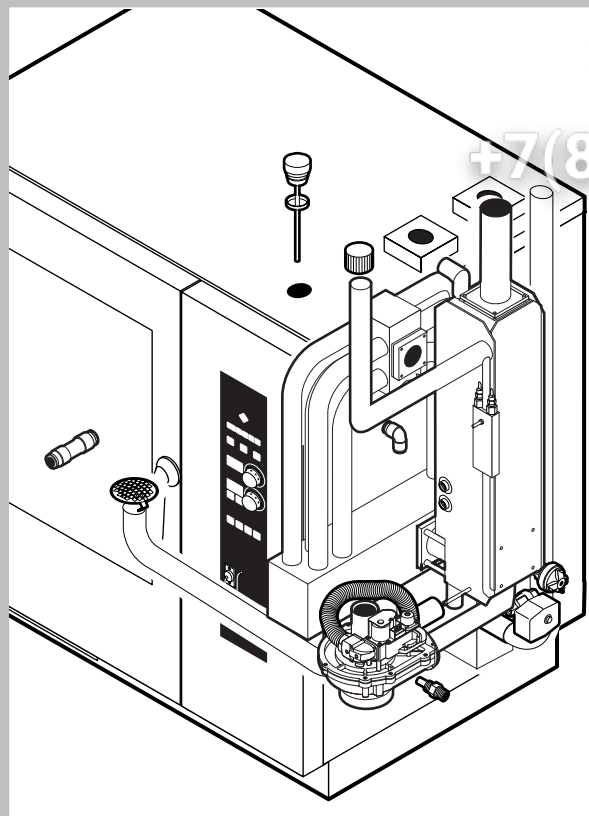
\*COMPONENT SUBMITTED TO CHANGEMENTS CAUSED BY TENSION DIFFERENT FROM THE STANDARD (AC 230V 50HZ)

Зип Общепит

vsezip.ru

+7(812)987-08-81

016.40.184.0636 050505 DONADINI s.r.l.



| POS. | CODE      | PIECES | DESCRIPTION                             |
|------|-----------|--------|---|
| 1    | R11100270 | 1      | DAMPER SYSTEM CAP                       |
| 2    | R11100600 | 1      | STEAM GENERATOR ASSEMBLY                |
| 3    | R70080010 | 1      | CERAMIC PROTECTION TUBE                 |
| 4    | R10201710 | 1      | DRAIN FILTER                            |
| 5    | R58005680 | 1      | STEAM GENERATOR DESCALING CAP 1"1/4 F   |
| 6    | R58006130 | 1      | STEAM QUENCHING NOZZLE Ø 1              |
| 7    | R11203640 | 1      | HEAT EXCHANGER ACCESSORIES INCLUDED     |
| 8    | R14213250 | 1      | BURNER ASSEMBLY                         |
| 9    | R66110390 | 1      | FLAME IGNITION CABLE/FLAME SENSOR CABLE |
| 10   | R63050100 | 2      | IGNITOR                                 |
| 11   | R63020170 | 1      | GAS SOLENOID VALVE                      |
| 12   | R63120040 | 1      | VENTURI TUBE                            |
| 13   | R63130010 | 1      | GAS BURNER FAN MOTOR                    |
| 14   | R63140020 | 6      | BURNER/HEAT EXCHANGER GASKET            |
| 15   | R63140050 | 1      | BURNER/FAN MOTOR GASKET                 |
| 16   | R63070010 | 1      | GAS SAFETY PRESSURE SWITCH PG 901.61    |
| 17   | R61630011 | 2      | METAL CLAMPS 12-22/9                    |
| 18   | R61630021 | 2      | METAL CLAMPS 30-45/9                    |
| 19   | R61630110 | 2      | METAL CLAMPS 44-56/12                   |

| POS. | CODE      | PIECES | DESCRIPTION                                   |
|------|-----------|--------|---|
| 20   | R65110560 | 1      | STEAM GENERATOR DRAIN MOTORIZED VALVE         |
| 21   | R65320010 | 2      | STEAM GENERATOR LEVEL PROBE                   |
| 22   | R70050040 | 1      | STEAM GENERATOR CAP GASKET                    |
| 23   | R70060100 | 1      | DAMPER SYSTEM CAP GASKET                      |
| 24   | R70060010 | 1      | SILICON COUPLING Ø 30                         |
| 25   | R70060080 | 1      | SILICON COUPLING Ø 13                         |
| 26   | R70060040 | 1      | SILICON COUPLING Ø 50                         |
| 27   | R62090478 | 5      | ELBOW MIDLING PIPE FITTING D.10               |
| 28   | R62090458 | 2      | STRAIGHT MIDLING PIPE FITTING D.10            |
| 29   | R70070050 | 1      | PE D.10 MM X7 WATER FLEXIBLE PIPE (3 MT LONG) |
| 30   | R58004200 | 1      | ORIFICE (FOR VERSION LIQUID GAS)              |
| 31   | R62180082 | 1      | GAS INLET FLEXIBLE PIPE                       |

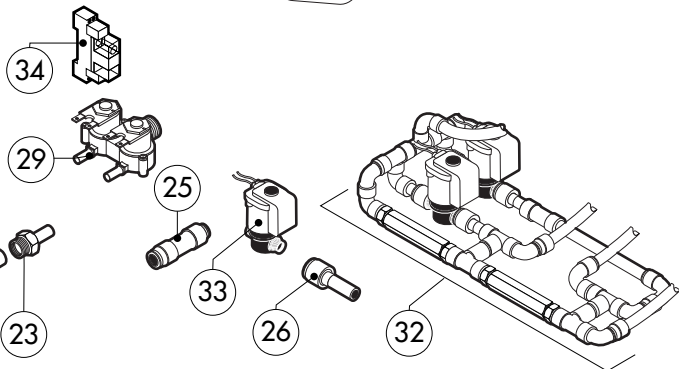
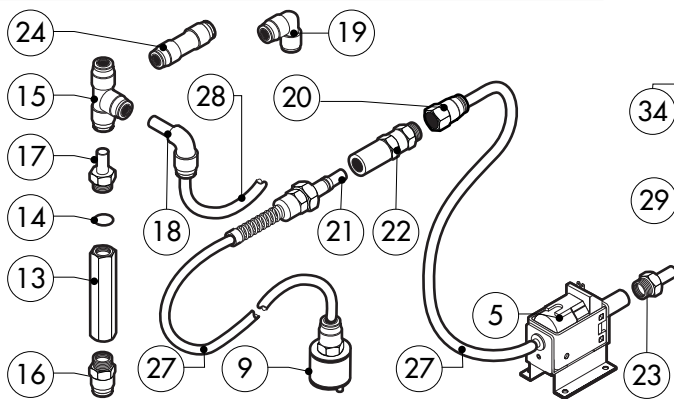
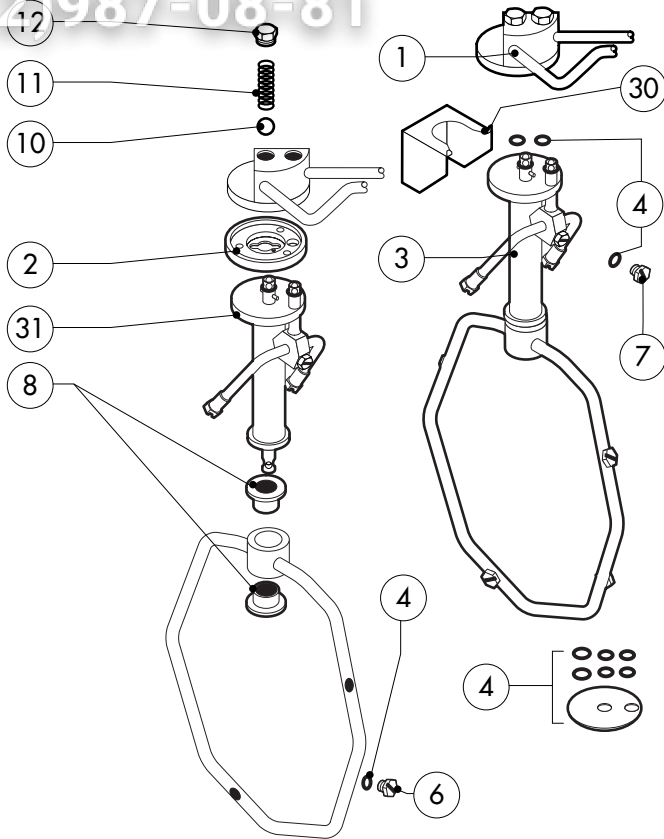
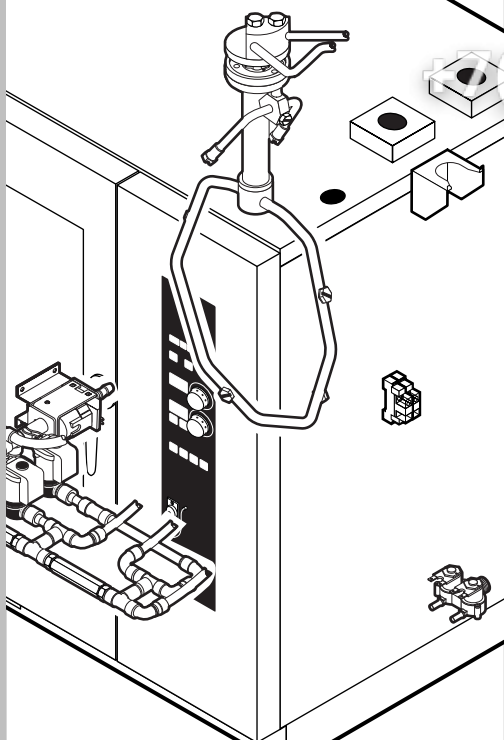


Зип Общепит

vsezip.ru

8 (812) 987-08-81

016.40.184.0638 050505 DONADINI srl



| POS. | CODE      | PIECES | DESCRIPTION                                    |
|------|-----------|--------|--|
| 1    | R11200901 | 1      | WASHING SYSTEM EXTERNAL ASSEMBLY               |
| 2    | R58004960 | 1      | WASHING SYSTEM INNER FLANGE                    |
| 3    | R11100520 | 1      | WASHING DEVICE ASSEMBLY                        |
| 4    | R70045100 | 1      | GASKETS KIT                                    |
| 5    | R65110600 | 1      | DETRGENT PUMP                                  |
| 6    | R62210032 | 4      | 1,3 L/MIN RINSING JET                          |
| 7    | R62210042 | 3      | 0,56 L/MIN DETERGENT JET                       |
| 8    | R58004980 | 2      | WASHING DEVICE ROTATION BUSH                   |
| 9    | R65110650 | 1      | BOTTOM FILTER                                  |
| 10   | R62220012 | 2      | SPHERA D.14                                    |
| 11   | R61620041 | 2      | SPRING   |
| 12   | R58005000 | 2      | 1/2" MALE COVER                                |
| 13   | R65110640 | 2      | ANTI-BACK FLOW                                 |
| 14   | R70010050 | 4      | OR GASKETS                                     |
| 15   | R62090468 | 5      | 1" MIDLING PIPE FITTING D.10                   |
| 16   | R62090508 | 1      | 10X1/4 STRAIGHT THREADED TERMINAL PIPE FITTING |
| 17   | R62090518 | 3      | 10X1/4 END SIDE PIPE FITTING (WITH TANG)       |
| 18   | R62090528 | 10     | ELBOW PIPE FITTING (WITH TANG) 10 X 10         |
| 19   | R62090478 | 4      | ELBOW MIDLING PIPE FITTING D.10                |

| POS. | CODE      | PIECES | DESCRIPTION                                      |
|------|-----------|--------|--|
| 20   | R62090538 | 1      | 1/4" FEMALE STRAIGHT PIPE FITTING FOR D.8X6 PIPE |
| 21   | R62090482 | 1      | RAPID MALE PIPE FITTING                          |
| 22   | R62090492 | 1      | RAPID FEMALE PIPE FITTING                        |
| 23   | R62090608 | 1      | 8X1/8 END SIDE PIPE FITTING (WITH TANG)          |
| 24   | R62090458 | 1      | STRAIGHT MIDLING PIPE FITTING D.10               |
| 25   | R62090618 | 1      | 10-8 REDUCTION PIPE FITTING                      |
| 26   | R62090548 | 4      | 10-6 REDUCTION PIPE FITTING                      |
| 27   | R70070100 | 1      | PE D.8 MM X 6 DETERGENT FLEXIBLE PIPE            |
| 28   | R70070050 | 1      | PE D.10 MM X7 WATER FLEXIBLE PIPE (3 MT LONG)    |
| 29   | R65110210 | 1      | SOLENOID VALVE 220V 50HZ                         |
| 30   | R11402000 | 1      | WASHING DEVICE EXTERNAL HOLDER                   |
| 31   | R11100550 | 1      | TUBE DEVICE SUPPORT WASHING                      |
| 32   | R62300028 | 1      | ANTI-BACK FLOW DEVICE ASSEMBLY                   |
| 33   | R65110260 | 2      | SOLENOID VALVE D.6 220V 50HZ                     |
| 34   | R65170050 | 2      | RELAY 4052 240V AC 10A                           |