

Зип Общепит

vsezip.ru
ABBATTITORI GASTRONOMIA MISTI

+7(812)987-08-81

**GASTRONOM BLAST CHILLERS AND
FREEZERS**

**GASTRONOMIE SCHNELLABKÜHLER
UND SCHOCKFROSTER**

**CELLULES DE
REFROIDISSEMENT/SURGELATION
RAPIDE POUR GASTRONOMIE**

ABM101TJ2ITSIBB



ESPLOSI - EXPLODED DRAWINGS
EXPLOSIONZEICHNUNGEN - VUE ECLATEE

Codice XESH6X57G

Pagina 2

Verifica: Ufficio tecnico +7(812)98708-81 De Cian

Emissione: Ufficio tecnico _____ De Cian


Approvazione: Direzione tecnica _____ Zambon

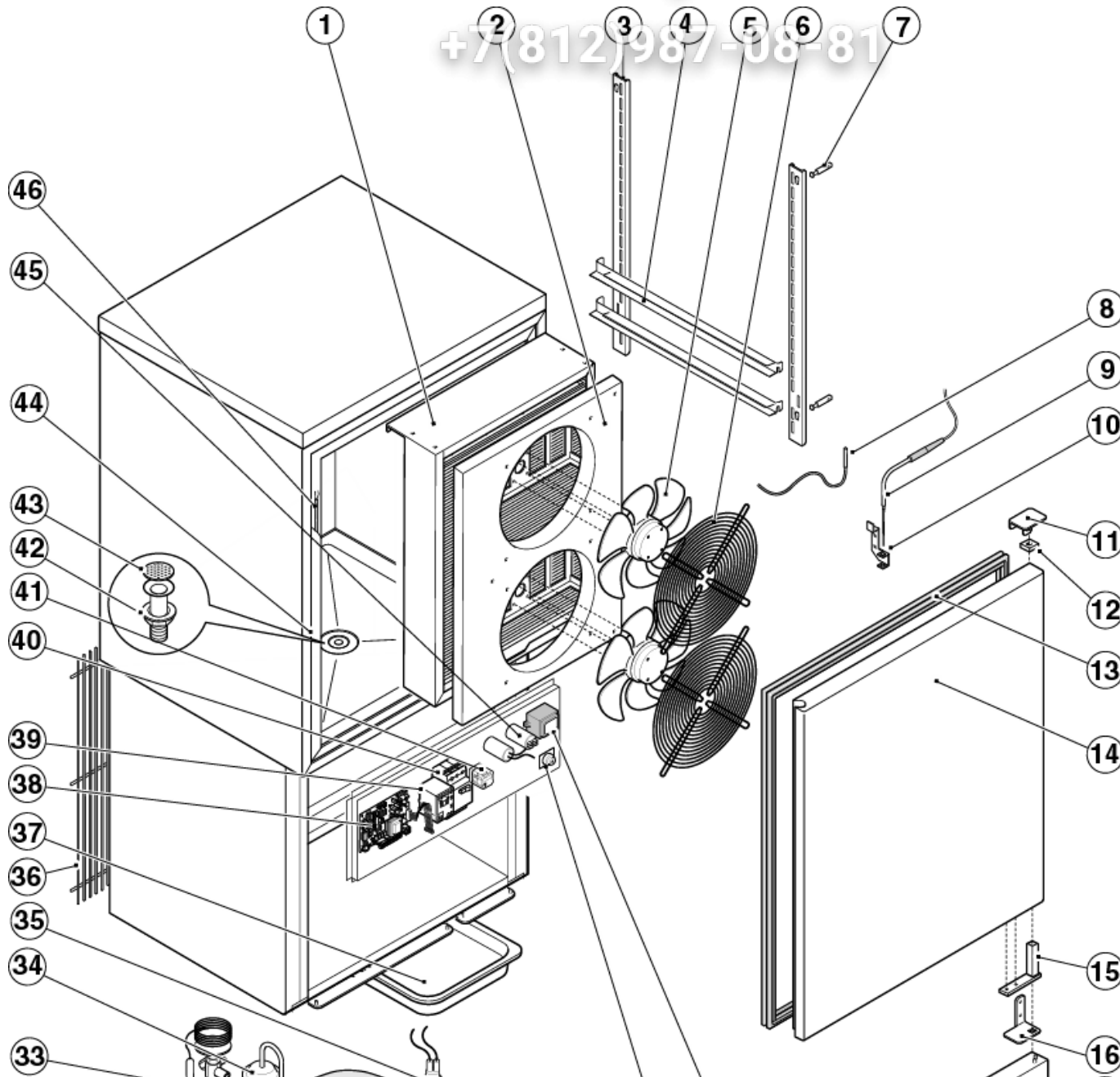
Copia controllata nr. _____

Copia non controllata

Mod. : 10 teglie GN MISTI FR TOP

Зип Общепит
vsezip.ru
+7(812)987-08-81

	XESH6X57G	PAG. 3
da matricola - from serial Nr.	a matricola - to serial Nr.	



	COD.	REV.	DESCRIZIONE	DESCRIPTION	BESCHREIBUNG	DESCRIPTION
1	RA140021		EVAPORATORE	EVAPORATOR	VERDAMPFER	EVAPORATEUR
2	RF080022		CONVOGLIATORE VENTOLA D.315	FAN COVERING D.315	VENTILATORABDECKUNG D.315	COUVRE VENTILATEUR D.315
3	RG330023		CREMAGLIERA LATERALE SX	LEFT RACK	LINK ZAHNSTANGE	CREMAILLIERE GAUCHE
3a	RG330022		CREMAGLIERA LATERALE DX	RIGHT RACK	RECHT ZAHNSTANGE	CREMAILLIERE DROITE
4	RG490021		GUIDA CELLA GN	GRID SLIDE	SCHIENE	GLISSIERE GRILLE
5	RA880046	C	MOTOVENTILATORE A4E315-AC08-19	MOTOR FOR FAN A4E315-AC08-19	MOTOR FÜR VENTILATOR A4E315-AC08-19	MOTEUR VENTILATEUR A4E315-AC08-19
6	RA170059		GRIGLIA PROTEZIONE VENTOLA 315 "V"	PROTECTION GRID FOR FAN 315 "V"	SCHUTZGITTER FÜR VENTILATEUR 315 "V"	GRILLE PROTECTION VENTILATEUR 315 "V"
7	RA470020		PERNO CREMAGLIERA GN D.14	HINGE RACK HOLDER GN D.14	ZAPFEN HÄNGER FÜR ZAHNSTANGE GN D.14	PIVOT DE SUPPORT CREMAILLIERE GN D.14
8	RA932001	C	SONDA PTC L.2600 SILICONE	PROBE PTC L.2600	FUEHLER PTC L.2600	SONDE PTC L.2600
9	RA930014	C	SONDA AISI INFILZO CON RISCALDAMENTO	CORE PROBE	KERNFUEHLER	SONDE AU COEUR
10	RG830147		SUPPORTO SONDA	PROBE SUPPORT FOR PRICKER PROBE	FUEHLERHALTER FÜR NADELFUEHLER	PORTE-SONDE POUR AGUILLE
11	RG810022		SUPPORTO BOCCOLA CERNIERA	LOWER HINGE	UNTERES SCHARNIER	CHARNIERE INFERIEUR
12	RA050006		BOCCOLA NYLON CERNIERA	BUSH FOR DOOR HINGE	BUCHSE FÜR DER TUER	DOUILLE POUR CHARNIERE PORTE
13	RA190070		GUARNIZIONE MAGNETICA PORTA	SEAL	DICHTUNG	GARNITURE
14	RB100025		ASSIEME PORTA	DOOR	TÜR	PORTE
15	RA051007		CERNIERA AUTOCHIUDENTE	HINGE PIVOT	SCHARNIER PIVOT	CHARNIERE PIVOT
16	RG810021		SUPPORTO CERNIERA	HINGE HOLDER	SCHARNIER HALTER	SUPPORT CHARNIERE
17	RA910072	C	SCHEDA TASTIERA TOP	CARD FOR REDUCED KEYBOARD	PLATINE FÜR REDUZIERTE TASTATUR	FICHE CLAVIER POUR PLATINE
18	RF360122		ASSIEME CRUSCOTTO	FRONT PANEL	VORDERPANEEL	PANNEAU FRONTAL
19	RA919000		VOLANTINO ZIGRINATO M5x1	THREAD WHEEL M5x1	RAENDELHANDRAD M5x1	VOLANT MOLETE M5x1
20	RG350068		MASCHERINA ANTERIORE	KEYBOARD PLATE	TASTATURFOLIE	MASQUE PLATINE
21	RA960002		TRASFORMATORE 20VA 230/12V	20VA 230/12V TRANSFORMER	TRANSFORMATOR 20VA 230/12V	TRANSFORMATEUR 20VA 230/12V
22	RA910076	C	BUZZER	BUZZER	SUMMER	SONNERIE
23	RA090046		CONDENSATORE LUVE STFT 242435 STD	CONDENSER LUVE 242435 STD	KONDENSATOR LUVE 242435 STD	CONDENSATEUR LUVE 242435 STD
24	RA880051	C	GRP.MOTOVENTILATORE ZIEHL D330 4P/S	MOTOR FAN ZIEHL D330 4P/S	MOTOR VENTILATOR ZIEHL D330 4P/S	MOTEUR VENTILATEUR ZIEHL D330 4P/S
25	RA590010		ASSIEME PIEDINO 1"3/4 H=200	FOOT SUPPORT + FOOT 1"3/4 H=200	FUSSHALTER + FUSS 1"3/4 H=200	SUPPORT PIED + PIED 1"3/4 H=200
26	RA073014	C	COMPRESSORE UH TFH2511Z	COMPRESSOR	KOMPRESSOR	COMPRESSEUR
27	RA014103		RICEVITORE LIQUIDO 2,9L	LIQUID RESERVE 2,9L	FLUESSIGKEITRESERVE 2,9L	RECEPTEUR DE LIQUIDE 2,9L
28	RA714014		VALVOLA SOLENOIDE Ø10 CASTEL	CASTEL SOLENOIDE VALVE Ø10	CASTEL SOLENOID-VENTIL Ø10	SOUPAPE SOLENOIDE Ø10 CASTEL
29	RA714012	C	BOBINA TIPO HM2	COIL HM2 FOR SOLENOIDE VALVE	SPUL HM2 FÜR SOLENOID-VENTIL	BOBINE HM2 POUR SOUPAPE SOLENOIDE
30	RA714017		CONNETTORE PG11 PER VALVOLA SOLENOIDE	CONNECTOR PG11 FOR SOLENOIDE VALVE	VERBINDER PG11 FÜR SOLENOID-VENTIL	CONNECTEUR PG11 POUR SOUPAPE SOLENOIDE
31	RA716502		ADATTATORE A BRASARE	ADAPTER FOR T-TE D.6	ADAPTER FÜR T-TE D.6	ADAPTEUR POUR T-TE D.6
32	RA716019		ORIFICIO N° 03 C/FILTRO	ORIFICE N° 3 WITH FILTER	OEFFNUNG N° 3 MIT FILTER	ORIFICE N° 3 AVEC FILTRE
33	RA715008		CORPO VALVOLA TERMOSTATICA TES2 NL MOP-10 R404A	VALVE BODY TES2 R404A	VENTILKORPER TES2 R404A	CORPS SOUPAPE TES2 R404A
34	RA012005		FILTRO CASTEL 4308/M10S	CASTEL 4308/M10S FILTER	FILTER CASTEL 4308/M10S	FILTRE CASTEL 4308/M10S
35	RA953008		PRESSOSTATO DANFOSS	PRESSURE SWITCH	DRUCKWAECHTER	PRESSOSTAT
36	RA170060		PROTEZIONE POSTERIORE	PROTECTION GRILL	HINTERER SCHUTZ	PROTECTION POSTERIEURE
37	0102343		BACINELLA PLASTICA GN 1/1	PLASTIC VESSEL GN 1/1	PLASTIC BEHALTER GN 1/1	CUVE EN PLASTIQUE GN 1/1

38	RA910073	C	SCHEDA PROGRAMMI	PROGRAMM-CARD	PROGRAMM-PLATINE	FICHE PROGRAMMES
39	RA890027		CONTATTORE SIRIUS 3RT101	ELECTROMAGNETIC SWITCH	FERNSCHALTER	TELERUPTEUR
40	RA949001		INTERRUTTORE AUTOMATICO SIRIUS	AUTOMATIC SWITCH	SCHALTER	INTERRUPTEUR
41	RA890004	C	RELE' FINDER 62.82.82300	RELAIS FINDER 62.82.82300	RELAIS FINDER 62.82.82300	RELAIS FINDER 62.82.82300
42	RA651002		PILETTA SCARICO 1"	DRAIN STRAINER "1"	BECKENAUSLAUF "1"	CREPINE VIDANGE "1"
43	RG650005		GRIGLIETTA DI SCARICO	DRAIN GRILL	ABLAUF GITTER	GRILLE DE VIDANGE
44a	RG190021		CONTROMAGNETE ORIZZONTALE	HORIZONTAL COUNTERMAGNET	WAAGERECHTER GEGENMAGNET	CONTRE-AIMANT HORIZONTAL
44b	RG190022		CONTROMAGNETE VERTICALE	VERTICAL COUNTERMAGNET	VERTIKALER GEGENMAGNET	CONTRE-AIMANT VERTICAL
45	RA860003		CONDENSATORE 3MF	CONDENSER 3MF	KONDENSER 3MF	CONDENSATEUR 3MF
46	RA900044		RESISTENZA ANTICONDENSA	FRAME RESISTANCE	WIDERSTAND RAHMEN	RESISTANCE CADRE



COD. XESH6X57G


PAG. 5

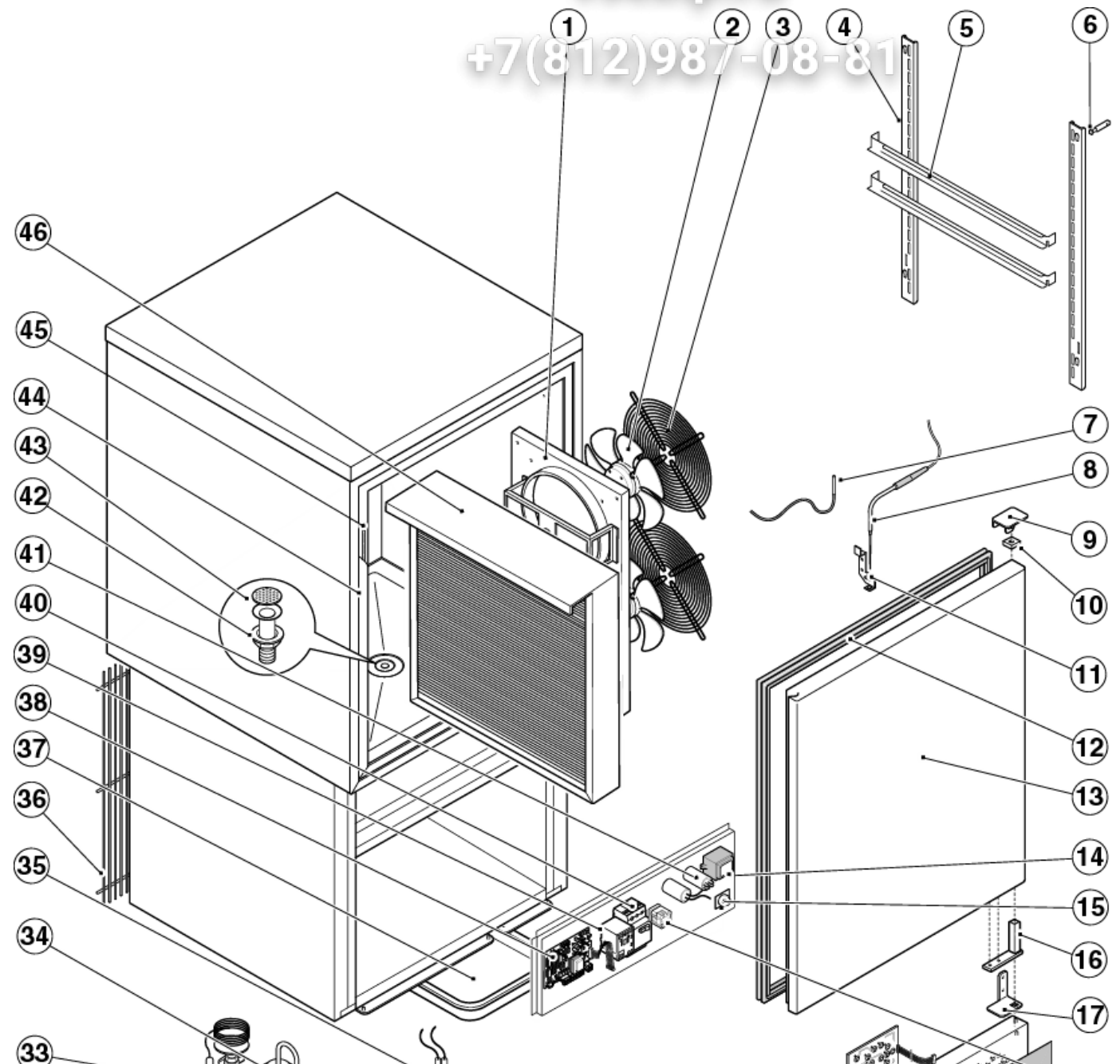
Mod. : 10 teglie GN MISTI FR. TOP

Зип Общепит

vsezip.ru

+7(812)987-08-81

	XESH6X57H	PAG. 3
da matricola - from serial Nr.		a matricola - to serial Nr.



	COD.	REV.	DESCRIZIONE	DESCRIPTION	BESCHREIBUNG	DESCRIPTION
1	RF080022		CONVOGLIATORE VENTOLA D.315	FAN COVERING D.315	VENTILATORABDECKUNG D.315	COUVRE VENTILATEUR D.315
2	RA880046	C	MOTOVENTILATORE A4E315-AC08-19	MOTOR FOR FAN A4E315-AC08-19	MOTOR FÜR VENTILATOR A4E315-AC08-19	MOTEUR VENTILATEUR A4E315-AC08-19
3	RA170059		GRIGLIA PROTEZIONE VENTOLA 315 "V"	PROTECTION GRID FOR FAN 315 "V"	SCHUTZGITTER FÜR VENTILATEUR 315 "V"	GRILLE PROTECTION VENTILATEUR 315 "V"
4a	RG330023		CREMAGLIERA LATERALE SX	LEFT RACK	LINK ZAHNSTANGE	CREMAILLERE GAUCHE
4b	RG330022		CREMAGLIERA LATERALE DX	RIGHT RACK	RECHT ZAHNSTANGE	CREMAILLERE DROITE
5	RG490028		GUIDA CELLA GN	GRID SLIDE	SCHIENE	GLISSIERE GRILLE
6	RA470020		PERNO CREMAGLIERA GN D.14	HINGE RACK HOLDER GN D.14	ZAPFEN HÄNGER FÜR ZAHNSTANGE GN D.14	PIVOT DE SUPPORT CREMAILLERE GN D.14
7	RA932001	C	SONDA PTC L.2600 SILICONE	PROBE PTC L.2600	FUEHLER PTC L.2600	SONDE PTC L.2600
8	RA930014	C	SONDA AISI INFILZO CON RISCALDAMENTO	CORE PROBE	KERNFUEHLER	SONDE AU COEUR
9	RG810022		SUPPORTO BOCCOLA CERNIERA	LOWER HINGE	UNTERES SCHARNIER	CHARNIERE INFERIEUR
10	RA050006		BOCCOLA NYLON CERNIERA	BUSH FOR DOOR HINGE	BUCHSE FÜR DER TUER	DOUILLE POUR CHARNIERE PORTE
11	RG830147		SUPPORTO SONDA	PROBE SUPPORT FOR PRICKER PROBE	FUEHLERHALTER FÜR NADEL FUEHLER	PORTE-SONDE POUR AGUILLE
12	RA190070		GUARNIZIONE MAGNETICA PORTA	SEAL	DICHTUNG	GARNITURE
13	RB100025		ASSIEME PORTA	DOOR	TÜR	PORTE
14	RA960002		TRASFORMATORE 20VA 230/12V	20VA 230/12V TRANSFORMER	TRANSFORMATOR 20VA 230/12V	TRANSFORMATEUR 20VA 230/12V
15	RA910076	C	BUZZER	BUZZER	SUMMER	SONNERIE
16	RA051007		CERNIERA AUTOCHIUDENTE	HINGE PIVOT	SCHARNIER PIVOT	CHARNIERE PIVOT
17	RG810021		SUPPORTO CERNIERA	HINGE HOLDER	SCHARNIER HALTER	SUPPORT CHARNIERE
18	RA890004	C	RELE' FINDER 62.82.82300	RELAIS FINDER 62.82.82300	RELAIS FINDER 62.82.82300	RELAIS FINDER 62.82.82300
19	RA910073	C	SCHEDA PROGRAMMI	PROGRAMS CARD	PROGRAMM-PLATINE	FICHE PROGRAMMES
20	RF360122		ASSIEME CRUSCOTTO	FRONT PANEL	VORDERPANEEL	PANNEAU FRONTAL
21	RA919000		VOLANTINO ZIGRINATO M5x1	THREAD WHEEL M5x1	RAENDELHANDRAD M5x1	VOLANT MOLETE M5x1
22	RG350068		MASCHERINA ANTERIORE	KEYBOARD PLATE	TASTATURFOLIE	MASQUE PLATINE
23	RA090046		CONDENSATORE LUVE STFT 242435 STD	CONDENSER LUVE 242435 STD	KONDENSATOR LUVE 242435 STD	CONDENSATEUR LUVE 242435 STD
24	RA880051	C	GRP.MOTOVENTILATORE ZIEHL D330 4P/S	MOTOR FAN ZIEHL D330 4P/S	MOTOR VENTILATOR ZIEHL D330 4P/S	MOTEUR VENTILATEUR ZIEHL D330 4P/S
25	RA590010		ASSIEME PIEDINO 1"3/4 H=200	FOOT SUPPORT + FOOT 1"3/4 H=200	FUSSHALTER + FUSS 1"3/4 H=200	SUPPORT PIED + PIED 1"3/4 H=200
26	RA073014	C	COMPRESSORE UH TFH2511Z	COMPRESSOR	KOMPRESSOR	COMPRESSEUR
27	RA014103		RICEVITORE LIQUIDO 2,9L	LIQUID RESERVE 2,9L	FLUESSIGKEITRESERVE 2,9L	RECEPTEUR DE LIQUIDE 2,9L
28	RA714014		VALVOLA SOLENOIDE Ø10 CASTEL	CASTEL SOLENOIDE VALVE Ø10	CASTEL SOLENOID-VENTIL Ø10	SOUPAPE SOLENOIDE Ø10 CASTEL
29	RA714012	C	BOBINA TIPO HM2	COIL HM2 FOR SOLENOIDE VALVE	SPUL HM2 FÜR SOLENOID-VENTIL	BOBINE HM2 POUR SOUPAPE SOLENOIDE
30	RA714017		CONNETTORE PG11 PER VALVOLA SOLENOIDE	CONNECTOR PG11 FOR SOLENOIDE VALVE	VERBINDER PG11 FÜR SOLENOID-VENTIL	CONNECTEUR PG11 POUR SOUPAPE SOLENOIDE
31	RA716502		ADATTATORE A BRASARE	ADAPTER FOR T-TE D.6	ADAPTER FÜR T-TE D.6	ADAPTEUR POUR T-TE D.6
32	RA716019		ORIFICIO N° 03 C/FILTRO	ORIFICE N° 3 WITH FILTER	OEFFNUNG N° 3 MIT FILTER	ORIFICE N° 3 AVEC FILTRE
33	RA715008		CORPO VALVOLA TERMOSTATICA TES2 NL MOP-10 R404A	VALVE BODY TES2 R404A	VENTILKORPER TES2 R404A	CORPS SOUPAPE TES2 R404A
34	RA012005		FILTRO CASTEL 4308/M10S	CASTEL 4308/M10S FILTER	FILTER CASTEL 4308/M10S	FILTRE CASTEL 4308/M10S
35	RA953008		PRESSOSTATO DANFOSS	PRESSURE SWITCH	DRUCKWAECHTER	PRESSOSTAT
36	RA170060		PROTEZIONE POSTERIORE	PROTECTION GRILL	HINTERER SCHUTZ	PROTECTION POSTERIEURE
37	0102343		BACINELLA PLASTICA GN 1/1	PLASTIC VESSEL GN 1/1	PLASTIC BEHALTER GN 1/1	CUVE EN PLASTIQUE GN 1/1



COD. XESH6X57H

PAG. 4

38	RA910072	C	SCHEDA TASTIERA TOP	CARD FOR REDUCED KEYBOARD	PLATINE FÜR REDUZIERTE TASTATUR	FICHE CLAVIER POUR PLATINE
39	RA890027		CONTATTORE SIRIUS 3RT101	ELECTROMAGNETIC SWITCH	FERNSCHALTER	TELERUPTEUR
40	RA949001		INTERRUTTORE AUTOMATICO SIRIUS	AUTOMATIC SWITCH	SCHALTER	INTERRUPTEUR
41	RA860003		CONDENSATORE 3MF	CONDENSER 3MF	KONDENSER 3MF	CONDENSATEUR 3MF
42	RA651002		PILETTA SCARICO 1"	DRAIN STRAINER "1"	BECKENAUSLAUF "1"	CREPINE VIDANGE "1"
43	RG650005		GRIGLIETTA DI SCARICO	DRAIN GRILL	ABLAUF GITTER	GRILLE DE VIDANGE
44a	RG190021		CONTROMAGNETE ORIZZONTALE	HORIZONTAL COUNTERMAGNET	WAAGERECHTER GEGENMAGNET	CONTRE-AIMANT HORIZONTAL
44b	RG190022		CONTROMAGNETE VERTICALE	VERTICAL COUNTERMAGNET	VERTIKALER GEGENMAGNET	CONTRE-AIMANT VERTICAL
45	RA900044		RESISTENZA ANTICONDENSA	FRAME RESISTANCE	WIDERSTAND RAHMEN	RESISTANCE CADRE
46	RA140021		EVAPORATORE	EVAPORATOR	VERDAMPFER	EVAPORATEUR